

VEVOR[®]

TOUGH TOOLS, HALF PRICE

Technical Support and E-Warranty Certificate www.vevor.com/support

POST BASE

SERIES:TTLZ-4in-X

Tip: X is 4 / 10 / 20

We continue to be committed to provide you tools with competitive price.

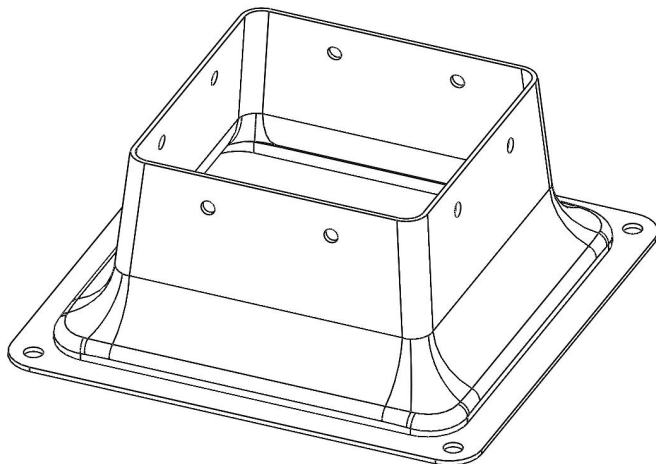
"Save Half", "Half Price" or any other similar expressions used by us only represents an estimate of savings you might benefit from buying certain tools with us compared to the major top brands and does not necessarily mean to cover all categories of tools offered by us. You are kindly reminded to verify carefully when you are placing an order with us if you are actually saving half in comparison with the top major brands.

VEVOR[®]

TOUGH TOOLS, HALF PRICE

POST BASE

SERIES:TTLZ-4in-X



NEED HELP? CONTACT US!

Have product questions? Need technical support? Please feel free to contact us:

Technical Support and E-Warranty Certificate
www.vevor.com/support

This is the original instruction, please read all manual instructions carefully before operating. VEVOR reserves a clear interpretation of our user manual. The appearance of the product shall be subject to the product you received. Please forgive us that we won't inform you again if there are any technology or software updates on our product.

Safety Instructions

Read and understand this entire manual before assembling, installing, operating, or servicing this product. Failure to follow these warnings and instructions can cause personal injury or damage to valuable property.

1. Do not allow children to climb on the unit. 2. Keep children and pets away during assembly.

ASSEMBLY PRECAUTIONS

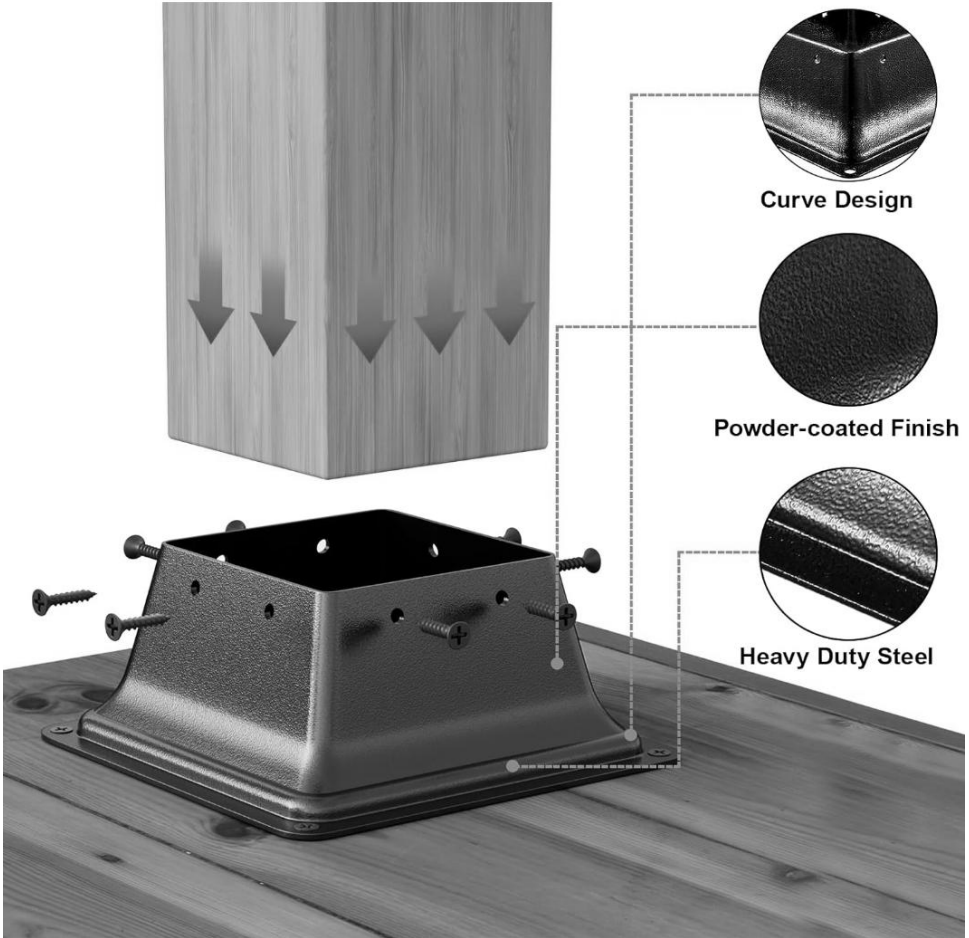
1. Please assemble the product in strict accordance with the instructions. Incorrect assembly could be hazardous.
2. Please wear safety goggles and work gloves properly during assembly.
3. Do not try to assemble the product when feeling tired or when under the influence of alcohol, drugs or medication.
4. Load bearing capacity and other product parameters are applied to the properly and completely assembled product only.
5. Separate and count all parts and hardware.
6. Prepare the following tool: Philips Head Screwdriver.
7. If using power tools, please be careful to slow down and stop when needed.
8. Two people are required for assembly.
9. Follow the intended uses only.

ALL AROUND USE

It can be used for decking handrails, pergolas, signs, mailboxes, & garden fences, deck brackets. It would help your fences look sturdy and durable while avoiding breakages.



NOTE

Post bases do not provide adequate resistance to prevent rotation about the base and therefore are not recommended for non-top-supported installations such as fences or unbraced carports.



SAVE THE INSTRUCTION.

Product Parameters

Model		TTLZ-4in-4	TTLZ-4in-10	TTLZ-4in-20
Post Size		4x4 inch	4x4 inch	4x4 inch
Inner Size		3.6x3.6 inch	3.6x3.6 inch	3.6x3.6 inch
Number of Items		4 PCS	10 PCS	20 PCS
Colour		Black	Black	Black
Self-tapping Screws		18 PCS	44 PCS	90 PCS
Expansion Pipes		50 PCS	130 PCS	260 PCS

Address : Baoshanqu Shuangchenglu 803long 11hao 1602A-1609shi Shanghai

Imported to AUS: SIHAO PTY LTD. 1 ROKEVA STREET EASTWOOD NSW 2122 Australia

Imported to USA: Sanven Technology Ltd. Suite 250, 9166 Anaheim Place, Rancho Cucamonga, CA 91730

UK	REP
-----------	------------

Pooledas Group Ltd
Unit 5 Albert Edward House, The Pavilions
Preston, United Kingdom

EC	REP
-----------	------------

SHUNSHUN GmbH
Römeräcker 9 Z2021, 76351
Linkenheim-Hochstetten, Germany

VEVOR®

TOUGH TOOLS, HALF PRICE

Technical Support and E-Warranty Certificate

www.vevor.com/support

Made In China

VEVOR[®]

TOUGH TOOLS, HALF PRICE

Assistance technique et certificat de garantie électronique www.vevor.com/support

BASE DE POTEAU

SÉRIE : TTLZ-4in-X

Astuce : X vaut 4/10/20

We continue to be committed to provide you tools with competitive price.

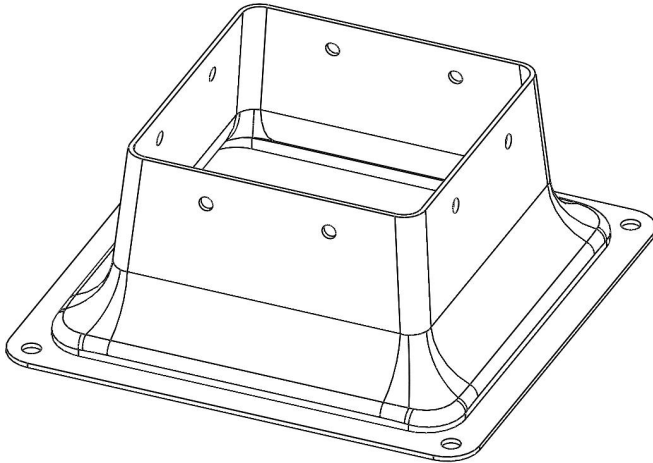
"Save Half", "Half Price" or any other similar expressions used by us only represents an estimate of savings you might benefit from buying certain tools with us compared to the major top brands and does not necessarily mean to cover all categories of tools offered by us. You are kindly reminded to verify carefully when you are placing an order with us if you are actually saving half in comparison with the top major brands.

VEVOR®

TOUGH TOOLS, HALF PRICE

POST BASE

SÉRIE : TTLZ-4in- X



NEED HELP? CONTACT US!

Have product questions? Need technical support? Please feel free to contact us:

Technical Support and E-Warranty Certificate
www.vevor.com/support

This is the original instruction, please read all manual instructions carefully before operating. VEVOR reserves a clear interpretation of our user manual. The appearance of the product shall be subject to the product you received. Please forgive us that we won't inform you again if there are any technology or software updates on our product.

Consignes de sécurité

Lisez et comprenez l'intégralité de ce manuel avant d'assembler, d'installer, d'utiliser ou d'entretenir ce produit. Le non-respect de ces avertissements et instructions peut provoquer des blessures ou des dommages à des biens de valeur.

1. Ne laissez pas les enfants grimper sur l'appareil. 2. Éloignez les enfants et les animaux domestiques pendant l'assemblage.

PRÉCAUTIONS DE MONTAGE

1. Veuillez assembler le produit en stricte conformité avec les instructions. Un assemblage incorrect pourrait être dangereux.

2. Veuillez porter correctement des lunettes de sécurité et des gants de travail pendant l'assemblage.

3. N'essayez pas d'assembler le produit lorsque vous vous sentez fatigué ou sous l'influence de l'alcool, de drogues ou de médicaments.

4. La capacité de charge et les autres paramètres du produit sont appliqués uniquement au produit correctement et complètement assemblé.

5. Séparez et comptez toutes les pièces et le matériel.

6. Préparez l'outil suivant : Tournevis cruciforme.

7. Si vous utilisez des outils électriques, veillez à ralentir et à vous arrêter si nécessaire.

8. Deux personnes sont nécessaires pour le montage.

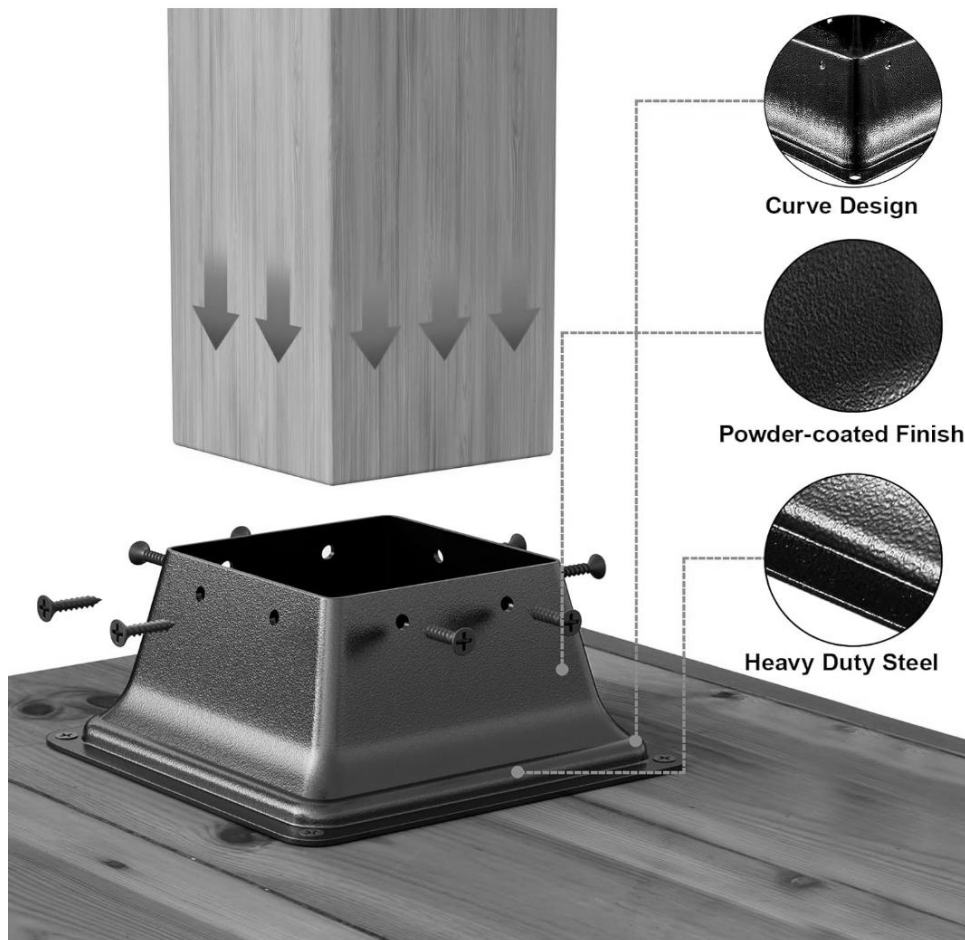
9. Suivez uniquement les utilisations prévues.

UTILISATION TOUT AUTOUR

Il peut être utilisé pour les mains courantes de terrasse, les pergolas, les panneaux, les boîtes aux lettres et les clôtures de jardin, les supports de terrasse. Il aiderait vos clôtures à paraître robustes et durables tout en évitant les casses.



NOTE

Les bases de poteaux n'offrent pas une résistance adéquate pour empêcher la rotation autour de la base et ne sont donc pas recommandées pour les installations sans support supérieur telles que les clôtures ou les abris d'auto non contreventés.



CONSERVEZ LES INSTRUCTIONS.

Paramètres du produit

Modèle		TTLZ-4en-4	TTLZ-4en-10	TTLZ-4 en 20
Taille du message		4x4 pouces	4x4 pouces	4x4 pouces
Taille intérieure		3,6x3,6 pouces	3,6x3,6 pouces	3,6x3,6 pouces
Nombre d'objets		4 PIÈCES	10 PIÈCES	20 pièces
Couleur		Noir	Noir	Noir
Vis autotaraudeuses		18 PCS	44 pièces	90 pièces
Tuyaux d'expansion		50 pièces	130 pièces	260 pièces

Adresse : Baoshanqu Shuangchenglu 803long 11hao 1602A-1609shi
Shanghai

Importé en Australie : SIHAO PTY LTD . 1 ROKEVA STREETASTWOOD
NSW 2122 Australie

Importé aux États-Unis : Sanven Technology Ltd. Suite 250, 9166
Anaheim Place, Rancho Cucamonga, CA 91730

UK	REP
-----------	------------

Pooledas Group Ltd
Unit 5 Albert Edward House, The Pavilions
Preston, United Kingdom

EC	REP
-----------	------------

SHUNSHUN GmbH
Römeräcker 9 Z2021, 76351
Linkenheim-Hochstetten, Germany

VEVOR®

TOUGH TOOLS, HALF PRICE

Assistance technique et certificat de garantie électronique

www.vevor.com/support

Fabriqué en Chine

VEVOR®

TOUGH TOOLS, HALF PRICE

Technischer Support und E-Garantiezertifikat www.vevor.com/support

PFOSTENBASIS

SERIE: TTLZ-4in- X

Tipp: X ist 4 / 10 / 20

We continue to be committed to provide you tools with competitive price.

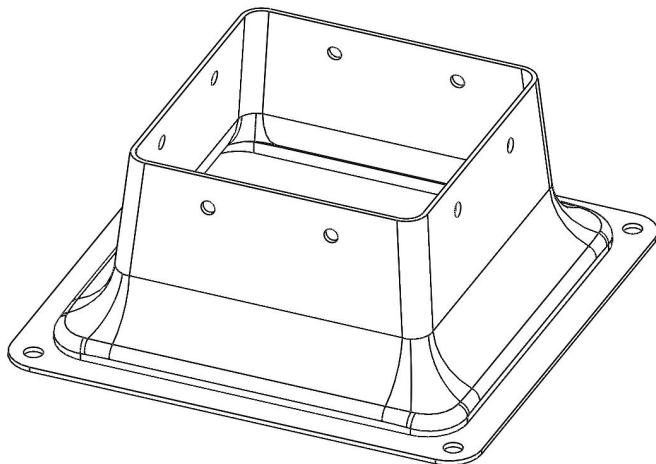
"Save Half", "Half Price" or any other similar expressions used by us only represents an estimate of savings you might benefit from buying certain tools with us compared to the major top brands and does not necessarily mean to cover all categories of tools offered by us. You are kindly reminded to verify carefully when you are placing an order with us if you are actually saving half in comparison with the top major brands.

VEVOR®

TOUGH TOOLS, HALF PRICE

POST BASE

SERIE: TTLZ-4in-X



NEED HELP? CONTACT US!

Have product questions? Need technical support? Please feel free to contact us:

Technical Support and E-Warranty Certificate
www.vevor.com/support

This is the original instruction, please read all manual instructions carefully before operating. VEVOR reserves a clear interpretation of our user manual. The appearance of the product shall be subject to the product you received. Please forgive us that we won't inform you again if there are any technology or software updates on our product.

Sicherheitshinweise

Lesen und verstehen Sie dieses gesamte Handbuch, bevor Sie dieses Produkt zusammenbauen, installieren, in Betrieb nehmen oder warten. Die Nichtbeachtung dieser Warnungen und Anweisungen kann zu Verletzungen oder Schäden an wertvollem Eigentum führen.

1. Erlauben Sie Kindern nicht, auf das Gerät zu klettern. 2. Halten Sie Kinder und Haustiere während der Montage fern.

VORSICHTSMASSNAHMEN BEI DER MONTAGE

1. Bitte bauen Sie das Produkt unter strikter Einhaltung der Anweisungen zusammen. Eine falsche Montage kann gefährlich sein.

2. Bitte tragen Sie bei der Montage ordnungsgemäß eine Schutzbrille und Arbeitshandschuhe.

3. Versuchen Sie nicht, das Produkt zusammenzubauen, wenn Sie sich müde fühlen oder unter dem Einfluss von Alkohol, Drogen oder Medikamenten stehen.

4. Tragfähigkeit und andere Produktparameter beziehen sich ausschließlich auf das ordnungsgemäß und vollständig montierte Produkt.

5. Trennen und zählen Sie alle Teile und Hardware.

6. Bereiten Sie das folgende Werkzeug vor: Kreuzschlitzschraubendreher.

7. Wenn Sie Elektrowerkzeuge verwenden, achten Sie bitte darauf, langsamer zu fahren und bei Bedarf anzuhalten.

8. Für den Aufbau sind zwei Personen erforderlich.

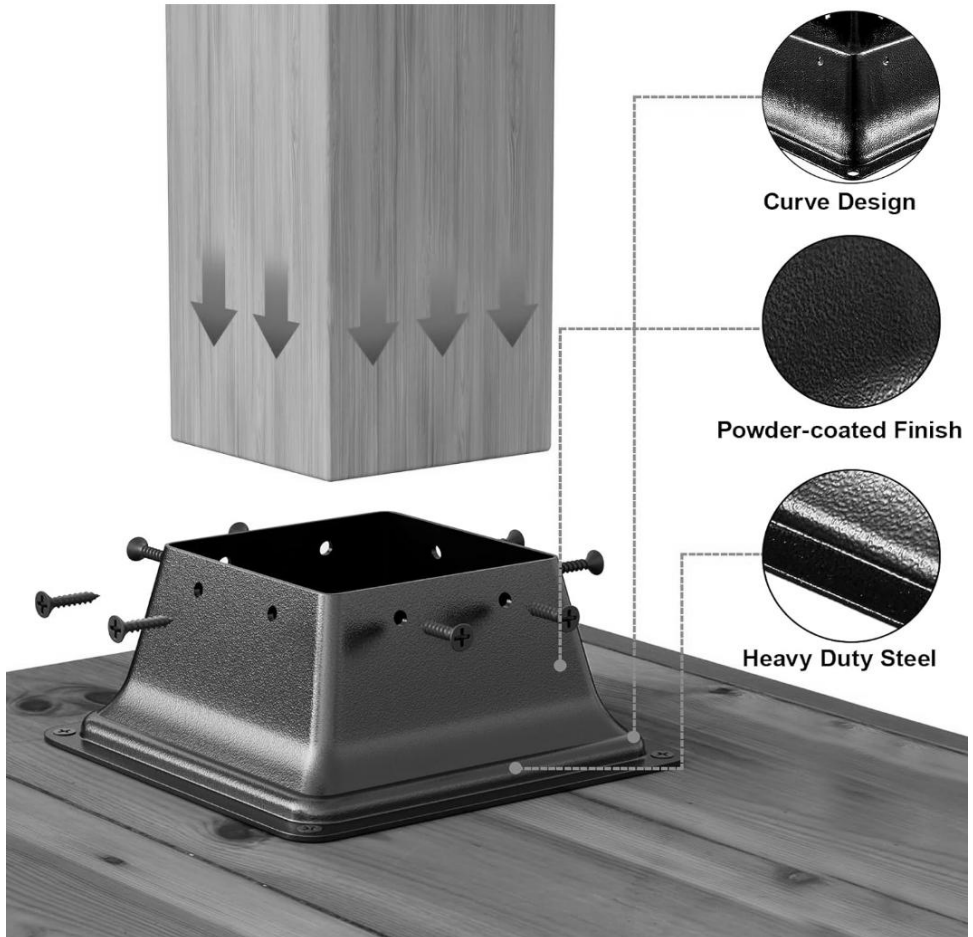
9. Befolgen Sie nur die vorgesehenen Verwendungszwecke.

RUNDUM EINSATZ

Es kann für Terrassenhandläufe, Pergolen, Schilder, Briefkästen und Gartenzäune sowie Terrassenhalterungen verwendet werden. Es würde dazu beitragen, dass Ihre Zäune stabil und langlebig aussehen und gleichzeitig Brüche vermieden werden.



NOTIZ

Pfostensockel bieten keinen ausreichenden Widerstand, um eine Drehung um den Sockel zu verhindern, und werden daher nicht für nicht von oben getragene Installationen wie Zäune oder nicht ausgesteifte Carports empfohlen.



Bewahren Sie die Anleitung auf.

Produktparameter

Modell		TTLZ-4in-4	TTLZ-4in-10	TTLZ-4in-20
Beitragsgröße _		4x4 Zoll	4x4 Zoll	4x4 Zoll
Innere Größe		3,6 x 3,6 Zoll	3,6 x 3,6 Zoll	3,6 x 3,6 Zoll
Anzahl der Teile		4 STÜCK	10 STÜCK	20 STÜCK
Farbe		Schwarz	Schwarz	Schwarz
Selbstschneidende Schrauben		18 STK	44 STÜCK	90 STÜCK
Expansion srohre		50 STÜCK	130 STÜCK	260 STÜCK

Adresse: Baoshanqu Shuangchenglu 803long 11hao 1602A-1609shi Shanghai

Importiert nach AUS: SIHAO PTY LTD . 1 ROKEVA
STREETEASTWOOD NSW 2122 Australien

In die USA importiert: Sanven Technology Ltd. Suite 250, 9166 Anaheim Place, Rancho Cucamonga, CA 91730

UK	REP
-----------	------------

Pooledas Group Ltd
Unit 5 Albert Edward House, The Pavilions
Preston, United Kingdom

EC	REP
-----------	------------

SHUNSHUN GmbH
Römeräcker 9 Z2021, 76351
Linkenheim-Hochstetten, Germany

VEVOR®

TOUGH TOOLS, HALF PRICE

Zertifikat für technischen Support und E-Garantie

www.vevor.com/support

In China hergestellt

VEVOR®

TOUGH TOOLS, HALF PRICE

Supporto tecnico e certificato di garanzia elettronica www.vevor.com/support

BASE POSTALE

SERIE: TTLZ-4in- X

Suggerimento: X è 4/10/20

We continue to be committed to provide you tools with competitive price.

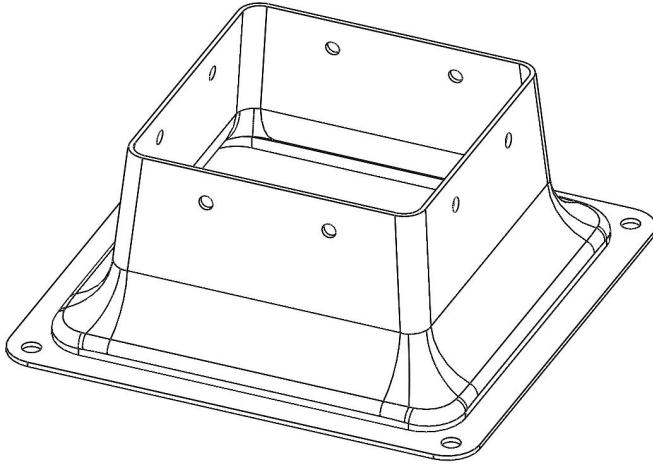
"Save Half", "Half Price" or any other similar expressions used by us only represents an estimate of savings you might benefit from buying certain tools with us compared to the major top brands and does not necessarily mean to cover all categories of tools offered by us. You are kindly reminded to verify carefully when you are placing an order with us if you are actually saving half in comparison with the top major brands.

VEVOR®

TOUGH TOOLS, HALF PRICE

POST BASE

SERIE: TTLZ-4in-X



NEED HELP? CONTACT US!

Have product questions? Need technical support? Please feel free to contact us:

Technical Support and E-Warranty Certificate
www.vevor.com/support

This is the original instruction, please read all manual instructions carefully before operating. VEVOR reserves a clear interpretation of our user manual. The appearance of the product shall be subject to the product you received. Please forgive us that we won't inform you again if there are any technology or software updates on our product.

Istruzioni di sicurezza

Leggere e comprendere l'intero manuale prima di assemblare, installare, utilizzare o sottoporre a manutenzione questo prodotto. La mancata osservanza di queste avvertenze e istruzioni può causare lesioni personali o danni a beni di valore.

1. Non permettere ai bambini di salire sull'unità. 2. Tenere lontani i bambini e gli animali domestici durante il montaggio.

PRECAUZIONI DI MONTAGGIO

1. Si prega di assemblare il prodotto attenendosi rigorosamente alle istruzioni. Un montaggio errato potrebbe essere pericoloso.

2. Indossare correttamente occhiali protettivi e guanti da lavoro durante il montaggio.

3. Non tentare di montare il prodotto quando ci si sente stanchi o sotto l'influenza di alcol, droghe o farmaci.

4. La capacità di carico e altri parametri del prodotto vengono applicati solo al prodotto correttamente e completamente assemblato.

5. Separare e contare tutte le parti e l'hardware.

6. Preparare il seguente strumento: cacciavite a croce.

7. Se si utilizzano utensili elettrici, fare attenzione a rallentare e fermarsi quando necessario.

8. Per il montaggio sono necessarie due persone.

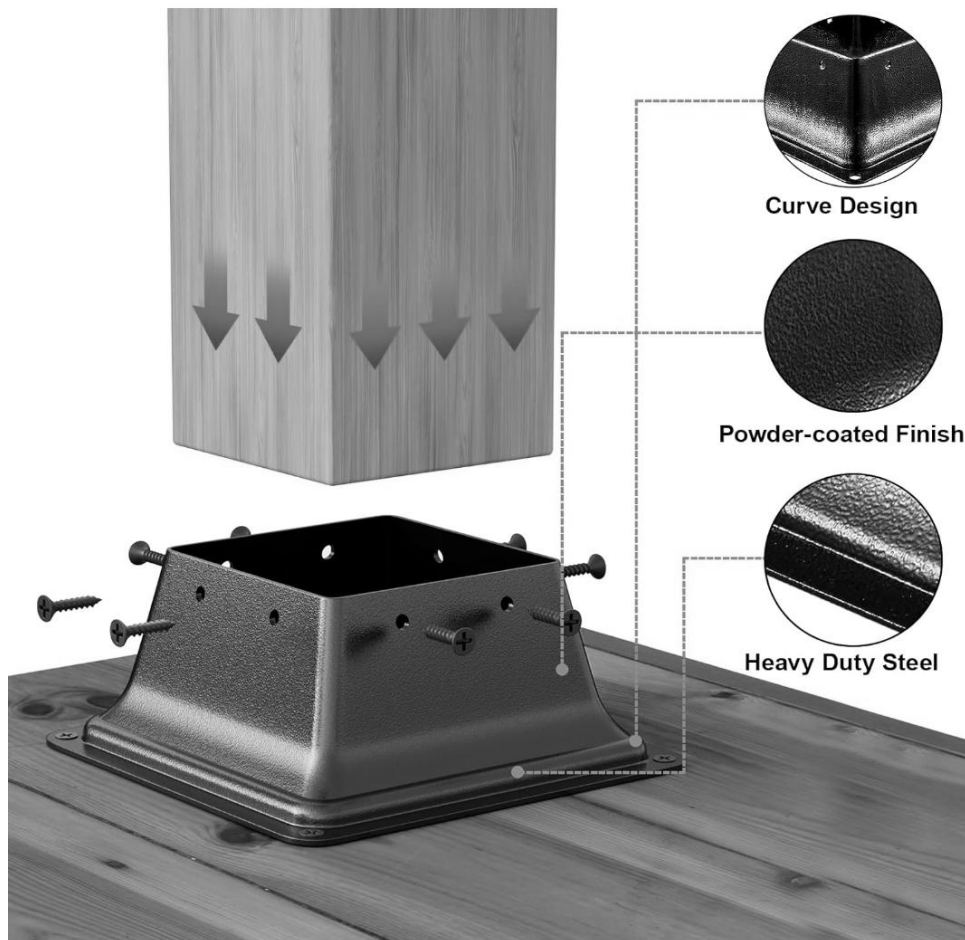
9. Seguire solo gli usi previsti.

UTILIZZO TOTALE

Può essere utilizzato per corrimano, pergole, cartelli, cassette postali e recinzioni da giardino, staffe per terrazze. Aiuterebbe le tue recinzioni a sembrare robuste e durevoli evitando rotture.



NOTA

Le basi dei montanti non forniscono un'adeguata resistenza per impedire la rotazione attorno alla base e pertanto non sono consigliate per installazioni senza supporto superiore, come recinzioni o tettoie per auto non rinforzate.



SALVA LE ISTRUZIONI.

Parametri del prodotto

Modello		TTLZ-4in-4	TTLZ-4in-10	TTLZ-4in-20
Dimensione del messaggio		4x4 pollici	4x4 pollici	4x4 pollici
Dimensione interna		3,6x3,6 pollici	3,6x3,6 pollici	3,6x3,6 pollici
Numero di articoli		4 PZ	10 PEZZI	20 PZ
Colore		Nero	Nero	Nero
Viti autofilettanti		18 POLLICI	44 PZ	90 PZ
Tubi di espansione		50 PZ	130 PZ	260 PZ

Indirizzo: Baoshanqu Shuangchenglu 803long 11hao 1602A-1609shi Shanghai

Importato in AUS: SIHAO PTY LTD . 1 ROKEVA STREETEASTWOOD NSW 2122 Australia

Importato negli Stati Uniti: Sanven Technology Ltd. Suite 250, 9166 Anaheim Place, Rancho Cucamonga, CA 91730

UK	REP
-----------	------------

Pooledas Group Ltd
Unit 5 Albert Edward House, The Pavilions
Preston, United Kingdom

EC	REP
-----------	------------

SHUNSHUN GmbH
Römeräcker 9 Z2021, 76351
Linkenheim-Hochstetten, Germany

VEVOR®

TOUGH TOOLS, HALF PRICE

Supporto tecnico e certificato di garanzia elettronica

www.vevor.com/support

Made in China

VEVOR®

TOUGH TOOLS, HALF PRICE

Soporte técnico y certificado de garantía electrónica www.vevor.com/support

BASE DEL POSTE

SERIE: TTLZ-4in-X

Consejo: X es 4/10/20

We continue to be committed to provide you tools with competitive price.

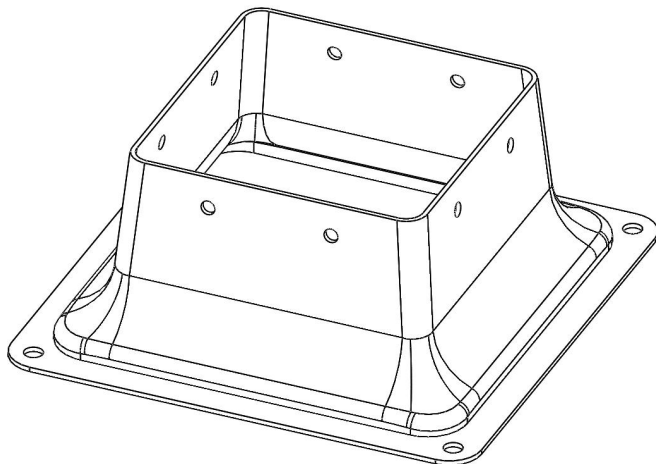
"Save Half", "Half Price" or any other similar expressions used by us only represents an estimate of savings you might benefit from buying certain tools with us compared to the major top brands and does not necessarily mean to cover all categories of tools offered by us. You are kindly reminded to verify carefully when you are placing an order with us if you are actually saving half in comparison with the top major brands.

VEVOR®

TOUGH TOOLS, HALF PRICE

POST BASE

SERIE: TTLZ-4in-X



NEED HELP? CONTACT US!

Have product questions? Need technical support? Please feel free to contact us:

Technical Support and E-Warranty Certificate
www.vevor.com/support

This is the original instruction, please read all manual instructions carefully before operating. VEVOR reserves a clear interpretation of our user manual. The appearance of the product shall be subject to the product you received. Please forgive us that we won't inform you again if there are any technology or software updates on our product.

Instrucciones de seguridad

Lea y comprenda este manual completo antes de ensamblar, instalar, operar o dar servicio a este producto. El incumplimiento de estas advertencias e instrucciones puede causar lesiones personales o daños a propiedades valiosas.

1. No permita que los niños se suban a la unidad. 2. Mantenga alejados a los niños y las mascotas durante el montaje.

PRECAUCIONES DE MONTAJE

1. Ensamble el producto estrictamente de acuerdo con las instrucciones. El montaje incorrecto podría ser peligroso.

2. Utilice gafas de seguridad y guantes de trabajo correctamente durante el montaje.

3. No intente montar el producto cuando se sienta cansado o bajo la influencia del alcohol, drogas o medicamentos.

4. La capacidad de carga y otros parámetros del producto se aplican únicamente al producto ensamblado de manera adecuada y completa.

5. Separe y cuente todas las piezas y herrajes.

6. Prepare la siguiente herramienta: Destornillador Philips.

7. Si utiliza herramientas eléctricas, tenga cuidado de reducir la velocidad y detenerse cuando sea necesario.

8. Para el montaje se necesitan dos personas.

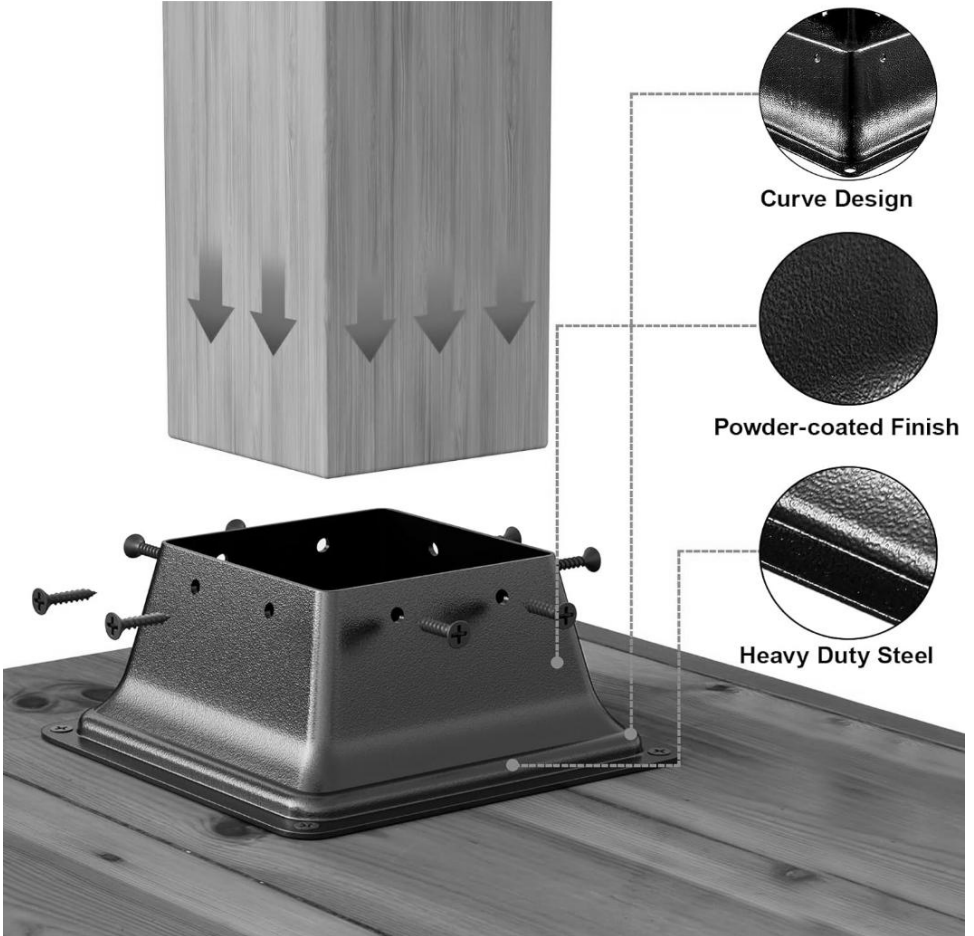
9. Siga únicamente los usos previstos.

TODO USO

Se puede utilizar para pasamanos de terrazas, pérgolas, letreros, buzones y vallas de jardín, soportes de terraza. Ayudaría a que sus vallas luzcan resistentes y duraderas, evitando al mismo tiempo roturas.

NOTA

Las bases de postes no brindan la resistencia adecuada para evitar la rotación alrededor de la base y, por lo tanto, no se recomiendan para instalaciones sin soporte superior, como cercas o marquesinas sin refuerzo.



GUARDE LAS INSTRUCCIONES.

Parámetros del producto

Modelo		TTLZ- 4 en 4	TTLZ- 4 en 10	TTLZ- 4 en 20
Tamaño de la publicación		4x4 pulgadas	4x4 pulgadas	4x4 pulgadas
Tamaño interior		3,6x3,6 pulgadas	3,6x3,6 pulgadas	3,6x3,6 pulgadas
Número de items		4 PIEZAS	10 piezas	20 piezas
Color		Negro	Negro	Negro
Tornillos autorroscantes		18 PIEZAS	44 piezas	90 piezas
Tubos de expansión		50 PCS	130 piezas	260 piezas

Dirección: Baoshanqu Shuangchenglu 803long 11hao 1602A-1609shi Shanghai

Importado a AUS: SIHAO PTY LTD . 1 ROKEVA STREET ASTWOOD NSW 2122 Australia

Importado a EE. UU.: Sanven Technology Ltd. Suite 250, 9166 Anaheim Place, Rancho Cucamonga, CA 91730

UK	REP
-----------	------------

Pooledas Group Ltd
Unit 5 Albert Edward House, The Pavilions
Preston, United Kingdom

EC	REP
-----------	------------

SHUNSHUN GmbH
Römeräcker 9 Z2021, 76351
Linkenheim-Hochstetten, Germany

VEVOR®

TOUGH TOOLS, HALF PRICE

Soporte técnico y certificado de garantía electrónica

www.vevor.com/support

Hecho en china

VEVOR®

TOUGH TOOLS, HALF PRICE

Wsparcie techniczne i certyfikat e-gwarancji www.vevor.com/support

BAZA POCZTOWA

SERIA: TTLZ-4in-X

Wskazówka: X to 4/10/20

We continue to be committed to provide you tools with competitive price.

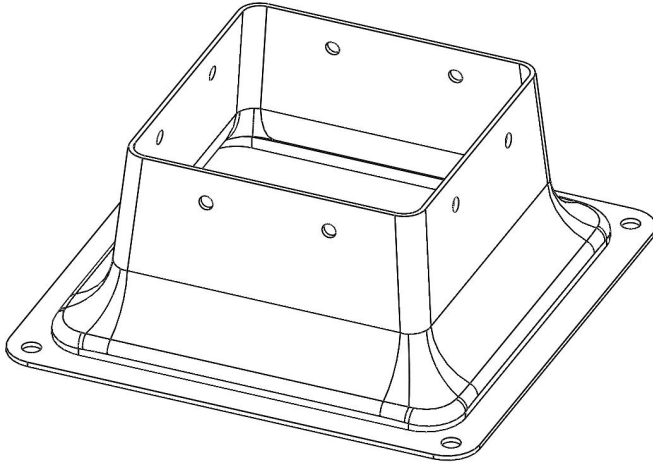
"Save Half", "Half Price" or any other similar expressions used by us only represents an estimate of savings you might benefit from buying certain tools with us compared to the major top brands and does not necessarily mean to cover all categories of tools offered by us. You are kindly reminded to verify carefully when you are placing an order with us if you are actually saving half in comparison with the top major brands.

VEVOR[®]

TOUGH TOOLS, HALF PRICE

POST BASE

SERIA: TTLZ-4in-X



NEED HELP? CONTACT US!

Have product questions? Need technical support? Please feel free to contact us:

Technical Support and E-Warranty Certificate
www.vevor.com/support

This is the original instruction, please read all manual instructions carefully before operating. VEVOR reserves a clear interpretation of our user manual. The appearance of the product shall be subject to the product you received. Please forgive us that we won't inform you again if there are any technology or software updates on our product.

Instrukcje bezpieczeństwa

Przed montażem, instalacją, obsługą lub serwisowaniem tego produktu należy przeczytać i zrozumieć całą niniejszą instrukcję. Niezastosowanie się do tych ostrzeżeń i instrukcji może spowodować obrażenia ciała lub uszkodzenie cennego mienia.

1. Nie pozwalaj dzieciom wspinać się na urządzenie. 2. Podczas montażu trzymaj dzieci i zwierzęta z daleka.

ŚRODKI OSTROŻNOŚCI PRZY MONTAŻU

1. Prosimy o złożenie produktu ściśle według instrukcji. Nieprawidłowy montaż może być niebezpieczny.

2. Podczas montażu należy nosić okulary ochronne i rękawice robocze.

3. Nie przystępuj do składania produktu będąc zmęczonym, pod wpływem alkoholu, narkotyków lub leków.

4. Nośność i inne parametry produktu odnoszą się wyłącznie do produktu prawidłowo i całkowicie zmontowanego.

5. Oddziel i policz wszystkie części i osprzęt.

6. Przygotuj następujące narzędzie: Śrubokręt Philips.

7. Jeśli korzystasz z elektronarzędzi, pamiętaj, aby zwolnić i zatrzymać się, jeśli zajdzie taka potrzeba.

8. Do montażu potrzebne są dwie osoby.

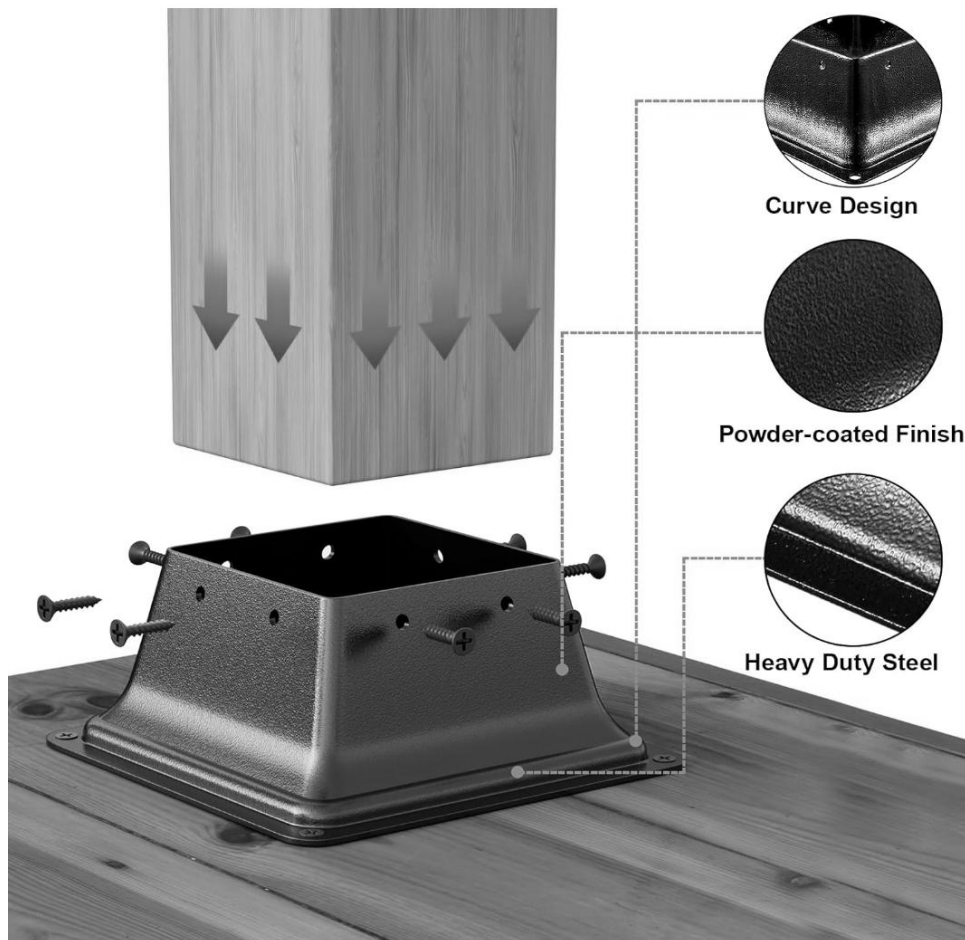
9. Postępuj zgodnie z przeznaczeniem.

WSZELKIE ZASTOSOWANIE

Można go stosować do poręczy tarasowych, pergoli, znaków, skrzynek pocztowych i ogrodzeń ogrodowych, wsporników tarasów. Dzięki temu Twoje ogrodzenia będą wyglądać solidnie i trwale, unikając jednocześnie pęknięć.



NOTATKA

Podstawy słupków nie zapewniają odpowiedniego oporu, aby zapobiec obracaniu się wokół podstawy i dlatego nie są zalecane do instalacji bez podparcia od góry, takich jak płyty lub nieusztywnione wiaty samochodowe.



ZACHOWAJ INSTRUKCJĘ.

Parametry produktu

Model	TTLZ-4w-4	TTLZ-4 na 10	TTLZ-4 na 20
Rozmiar postu	4x4 cale	4x4 cale	4x4 cale
Wewnętrzny rozmiar	3,6 x 3,6 cala	3,6 x 3,6 cala	3,6 x 3,6 cala
Liczba przedmiotów	4 szt	10 SZTUK	20 szt
Kolor	Czarny	Czarny	Czarny
Wkręty samogwintujące	 18 SZTUK	44 SZT	90 SZT
Rury rozprężne	 50 SZT	130 szt	260 SZT

Adres: Baoshanqu Shuangchenglu 803long 11hao 1602A-1609shi Szanghaj

Import do AUS: SIHAO PTY LTD . 1 ROKEVA STREETEASTWOOD NSW 2122 Australia

Import do USA: Sanven Technology Ltd. Suite 250, 9166 Anaheim Place, Rancho Cucamonga, CA 91730

UK	REP
-----------	------------

Pooledas Group Ltd
Unit 5 Albert Edward House, The Pavilions
Preston, United Kingdom

EC	REP
-----------	------------

SHUNSHUN GmbH
Römeräcker 9 Z2021, 76351
Linkenheim-Hochstetten, Germany

VEVOR®

TOUGH TOOLS, HALF PRICE

Wsparcie techniczne i certyfikat e-gwarancji

www.vevor.com/support

Wyprodukowano w Chinach

VEVOR®

TOUGH TOOLS, HALF PRICE

Technische ondersteuning en e-garantiecertificaat www.vevor.com/support

POSTBASIS

SERIE: TTLZ-4in-X

Tip: X is 4 / 10 / 20

We continue to be committed to provide you tools with competitive price.

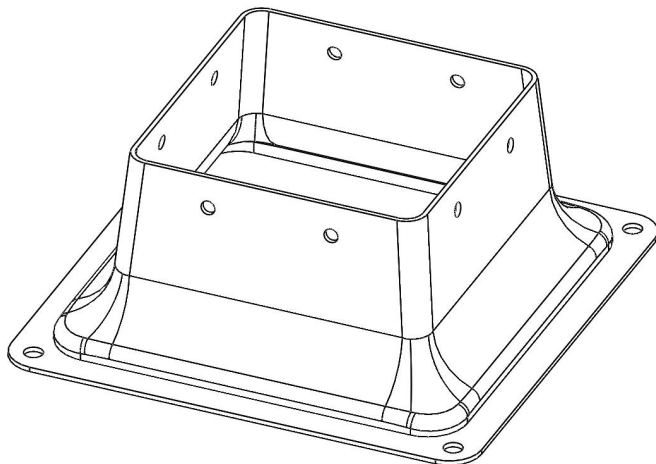
"Save Half", "Half Price" or any other similar expressions used by us only represents an estimate of savings you might benefit from buying certain tools with us compared to the major top brands and does not necessarily mean to cover all categories of tools offered by us. You are kindly reminded to verify carefully when you are placing an order with us if you are actually saving half in comparison with the top major brands.

VEVOR®

TOUGH TOOLS, HALF PRICE

POST BASE

SERIE: TTLZ-4in-X



NEED HELP? CONTACT US!

Have product questions? Need technical support? Please feel free to contact us:

Technical Support and E-Warranty Certificate
www.vevor.com/support

This is the original instruction, please read all manual instructions carefully before operating. VEVOR reserves a clear interpretation of our user manual. The appearance of the product shall be subject to the product you received. Please forgive us that we won't inform you again if there are any technology or software updates on our product.

Veiligheidsinstructies

Lees en begrijp deze handleiding geheel voordat u dit product monteert, installeert, bedient of onderhoudt. Het niet opvolgen van deze waarschuwingen en instructies kan persoonlijk letsel of schade aan waardevolle eigendommen veroorzaken.

1. Laat kinderen niet op het apparaat klimmen. 2. Houd kinderen en huisdieren tijdens de montage uit de buurt.

MONTAGEVOORZORGSMATREGELEN

1. Monteer het product strikt volgens de instructies. Een onjuiste montage kan gevaarlijk zijn.

2. Draag tijdens de montage een veiligheidsbril en werkhandschoenen.

3. Probeer het product niet in elkaar te zetten als u zich moe voelt of onder invloed bent van alcohol, drugs of medicijnen.

4. Draagvermogen en andere productparameters gelden alleen voor het correct en volledig gemonteerde product.

5. Scheid en tel alle onderdelen en hardware.

6. Houd het volgende gereedschap gereed: kruiskopschroevendraaier.

7. Als u elektrisch gereedschap gebruikt, zorg er dan voor dat u langzamer gaat rijden en stopt wanneer dat nodig is.

8. Voor de montage zijn twee personen nodig.

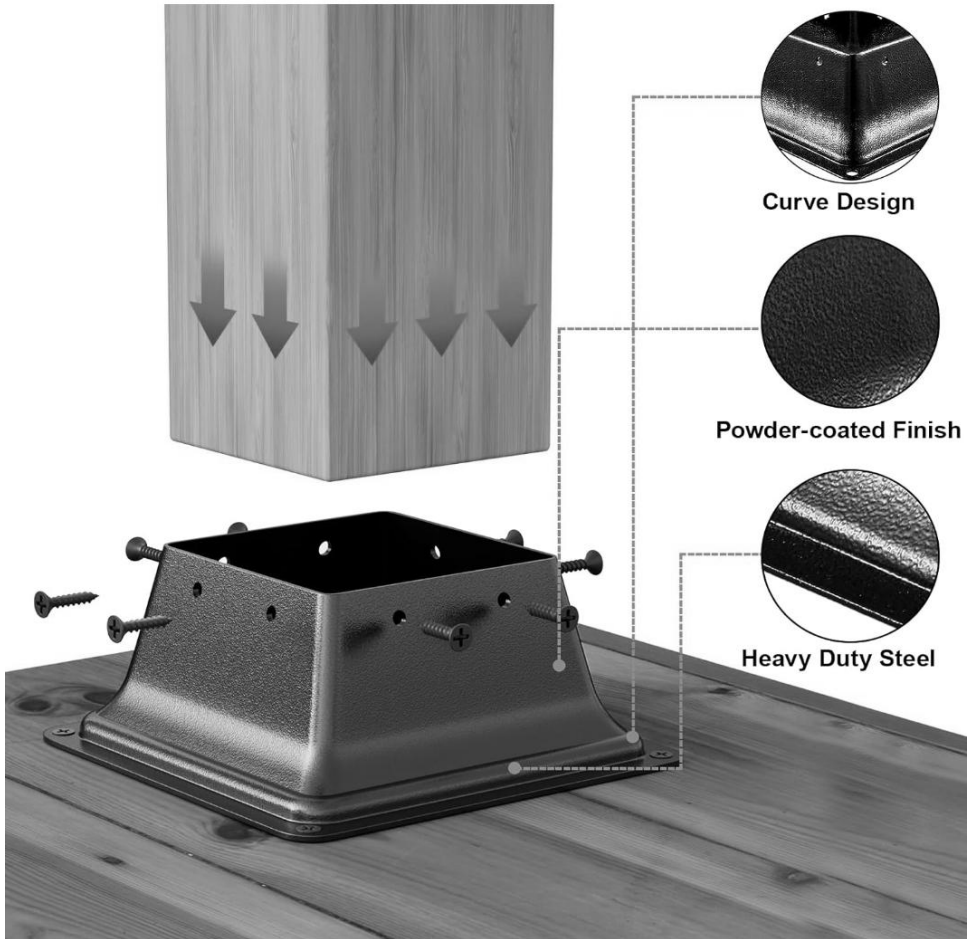
9. Volg uitsluitend het beoogde gebruik.

ALLES ROND GEBRUIK

Het kan worden gebruikt voor terrasleuningen, pergola's, borden, brievenbussen en tuinhekken, terrasbeugels. Het zou ervoor zorgen dat uw hekken er stevig en duurzaam uitzien en breuken voorkomen.



OPMERKING

Paalbasissen bieden onvoldoende weerstand om rotatie rond de basis te voorkomen en worden daarom niet aanbevolen voor installaties die niet van bovenaf worden ondersteund, zoals hekken of niet-verstevigde carports.



BEWAAR DE INSTRUCTIE.

Productparameters

Model		TTLZ-4in-4	TTLZ-4in-10	TTLZ-4in-20
Postgrootte _		4x4 inch	4x4 inch	4x4 inch
Binnenmaat		3,6x3,6 inch	3,6x3,6 inch	3,6x3,6 inch
Aantal stuks		4 STUKS	10 STUKS	20 STUKS
Kleur		Zwart	Zwart	Zwart
Zelftappen de schroeven		18 STUKS	44 STUKS	90 STUKS
Expansiepijpen		50 STUKS	130 STUKS	260 STUKS

Adres: Baoshanqu Shuangchenglu 803long 11hao 1602A-1609shi
Shanghai

Geïmporteerd naar AUS: SIHAO PTY LTD . 1 ROKEVA
STREETEASTWOOD NSW 2122 Australië

Geïmporteerd naar de VS: Sanven Technology Ltd. Suite 250, 9166
Anaheim Place, Rancho Cucamonga, CA 91730

UK	REP
-----------	------------

Pooledas Group Ltd
Unit 5 Albert Edward House, The Pavilions
Preston, United Kingdom

EC	REP
-----------	------------

SHUNSHUN GmbH
Römeräcker 9 Z2021, 76351
Linkenheim-Hochstetten, Germany

VEVOR®

TOUGH TOOLS, HALF PRICE

Technische ondersteuning en e-garantiecertificaat

www.vevor.com/support

Gemaakt in China

VEVOR[®]

TOUGH TOOLS, HALF PRICE

Teknisk support och e-garanticertifikat www.vevor.com/support

STOLPEBAS

SERIE: TTLZ-4in-X

Tips: X är 4/10/20

We continue to be committed to provide you tools with competitive price.

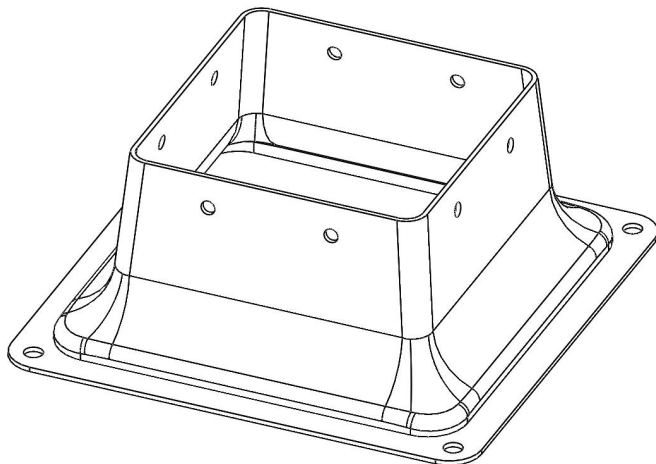
"Save Half", "Half Price" or any other similar expressions used by us only represents an estimate of savings you might benefit from buying certain tools with us compared to the major top brands and does not necessarily mean to cover all categories of tools offered by us. You are kindly reminded to verify carefully when you are placing an order with us if you are actually saving half in comparison with the top major brands.

VEVOR®

TOUGH TOOLS, HALF PRICE

POST BASE

SERIE: TTLZ-4in-X



NEED HELP? CONTACT US!

Have product questions? Need technical support? Please feel free to contact us:

Technical Support and E-Warranty Certificate
www.vevor.com/support

This is the original instruction, please read all manual instructions carefully before operating. VEVOR reserves a clear interpretation of our user manual. The appearance of the product shall be subject to the product you received. Please forgive us that we won't inform you again if there are any technology or software updates on our product.

Säkerhets instruktioner

Läs och förstå hela denna bruksanvisning innan du monterar, installerar, använder eller servar denna produkt. Underlåtenhet att följa dessa varningar och instruktioner kan orsaka personskador eller skador på värdefull egendom.

1. Låt inte barn klättra på enheten. 2. Håll barn och husdjur borta under monteringen.

FÖRSIKTIGHETSÅTGÄRDER FÖR MONTERING

1. Vänligen montera produkten i strikt enlighet med instruktionerna. Felaktig montering kan vara farligt.

2. Använd skyddsglasögon och arbetshandskar ordentligt under monteringen.

3. Försök inte att sätta ihop produkten när du känner dig trött eller är påverkad av alkohol, droger eller medicin.

4. Bärförmåga och andra produktparametrar tillämpas endast på den korrekt och färdigmonterade produkten.

5. Separera och räkna alla delar och hårdvara.

6. Förbered följande verktyg: Philips huvudskruvmejsel.

7. Om du använder elverktyg, var noga med att sakta ner och stanna vid behov.

8. Två personer krävs för montering.

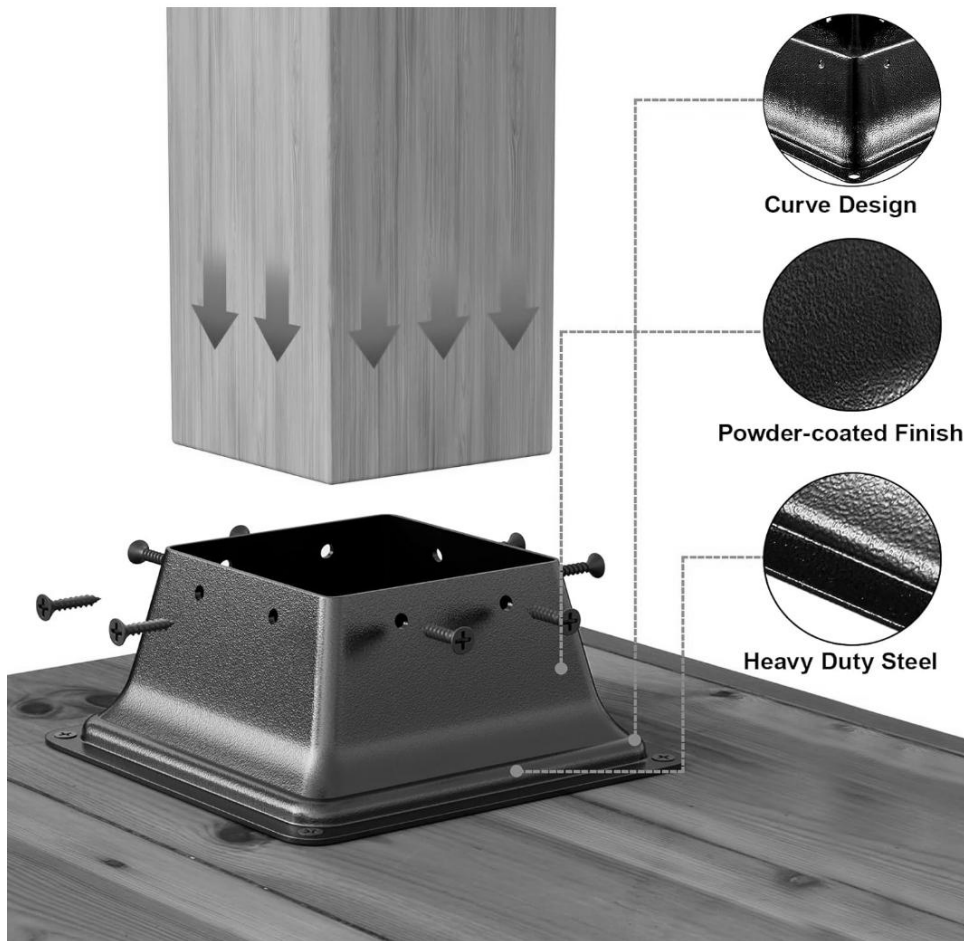
9. Följ endast avsedd användning.

ANVÄNDNING OM ALLT

Den kan användas för att dekorera ledstänger, pergolor, skyltar, postlådor och trädgårdsstaket, däckfästen. Det skulle hjälpa dina staket att se robusta och hållbara ut samtidigt som de undviker brott.



NOTERA

Stolpbaser ger inte tillräckligt motstånd för att förhindra rotation kring basen och rekommenderas därför inte för installationer utan toppstöd såsom staket eller lösa carportar.



SPARA INSTRUKTIONEN.

Produktparametrar

Modell	TTLZ-4 i-4	TTLZ-4 i 10	TTLZ-4 i-20	
Poststorlek _	4x4 tum	4x4 tum	4x4 tum	
Inre storlek	3,6 x 3,6 tum	3,6 x 3,6 tum	3,6 x 3,6 tum	
Antal artiklar	4 st	10 ST	20 st	
Färg	Svart	Svart	Svart	
Självgångande skruvar		18 ST	44 st	90 st
Expansion srör		50 st	130 st	260 st

Adress: Baoshanqu Shuangchenglu 803long 11hao 1602A-1609shi Shanghai

Importerad till AUS: SIHAO PTY LTD . 1 ROKEVA STREETEASTWOOD NSW 2122 Australien

Importerad till USA: Sanven Technology Ltd. Suite 250, 9166 Anaheim Place, Rancho Cucamonga, CA 91730

UK	REP
-----------	------------

Pooledas Group Ltd
Unit 5 Albert Edward House, The Pavilions
Preston, United Kingdom

EC	REP
-----------	------------

SHUNSHUN GmbH
Römeräcker 9 Z2021, 76351
Linkenheim-Hochstetten, Germany

VEVOR®

TOUGH TOOLS, HALF PRICE

Teknisk support och e-garanticertifikat

www.vevor.com/support

Tillverkad i Kina