

VEVOR[®]

TOUGH TOOLS, HALF PRICE

Technical Support and E-Warranty Certificate www.vevor.com/support

SHIPPING SCALE

MODEL:GSSU-FTS014

We continue to be committed to provide you tools with competitive price.

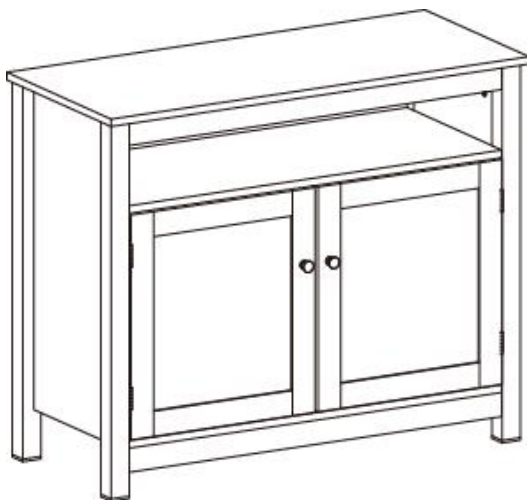
"Save Half", "Half Price" or any other similar expressions used by us only represents an estimate of savings you might benefit from buying certain tools with us compared to the major top brands and does not necessarily mean to cover all categories of tools offered by us. You are kindly reminded to verify carefully when you are placing an order with us if you are actually saving half in comparison with the top major brands.

VEVOR®

TOUGH TOOLS, HALF PRICE

SHIPPING SCALE

MODEL:GSSU-FTS014



NEED HELP? CONTACT US!

Have product questions? Need technical support? Please feel free to contact us:

Technical Support and E-Warranty Certificate
www.vevor.com/support

This is the original instruction, please read all manual instructions carefully before operating. VEVOR reserves a clear interpretation of our user manual. The appearance of the product shall be subject to the product you received. Please forgive us that we won't inform you again if there are any technology or software updates on our product.



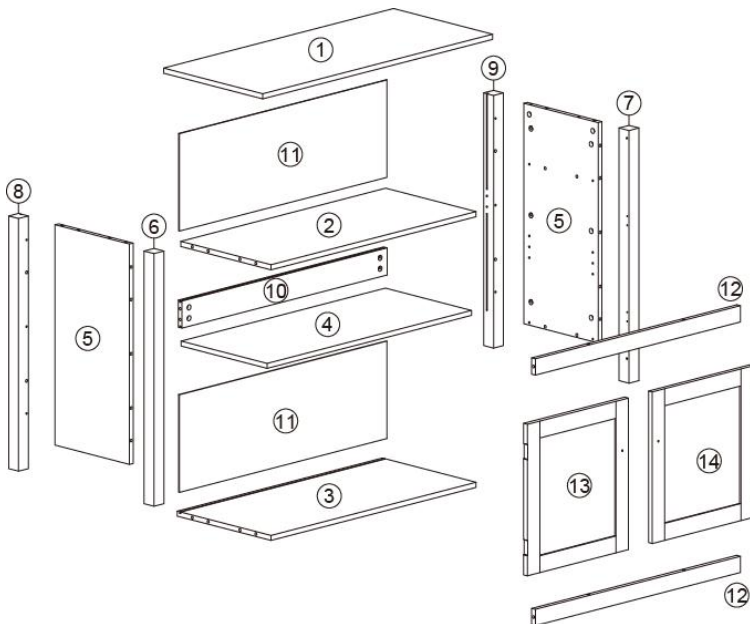
Warning-To reduce the risk of injury, user must read instructions manual carefully.

















This device complies with Part 15 of the FCC Rules. Operation is subject to the following two conditions:(1)This device may not cause harmful interference, and (2)this device must accept any interference received, including interference that may cause undesired operation.

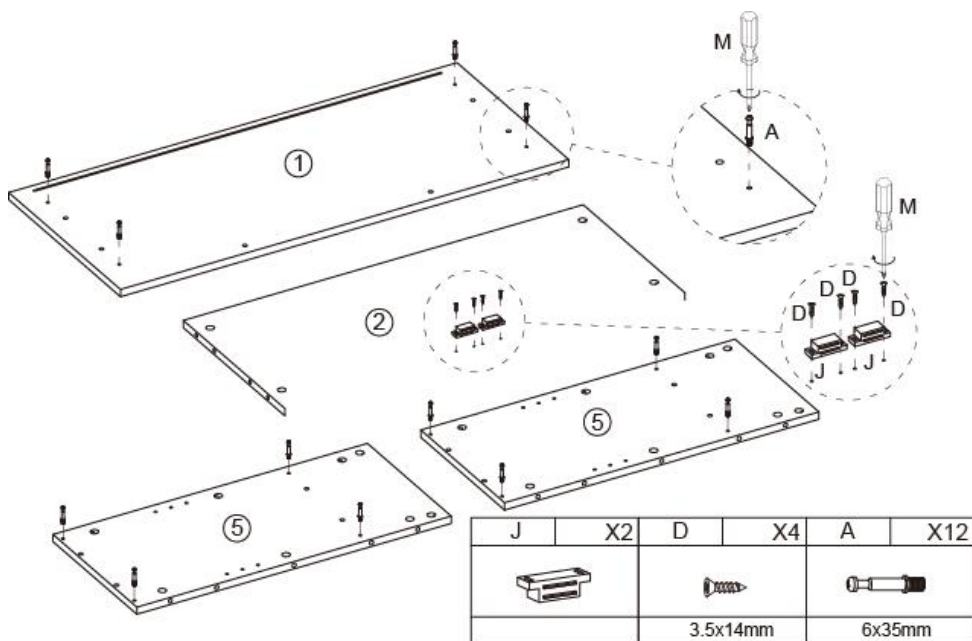


This product is subject to the provision of European Directive 2012/19/EC. The symbol showing a wheelie bin crossed through indicates that the product requires separate refuse collection in the European Union. This applies to the product and all accessories marked with this symbol. Products marked as such may not be discarded with normal domestic waste, but must be taken to a collection point for recycling electrical and electronic devices





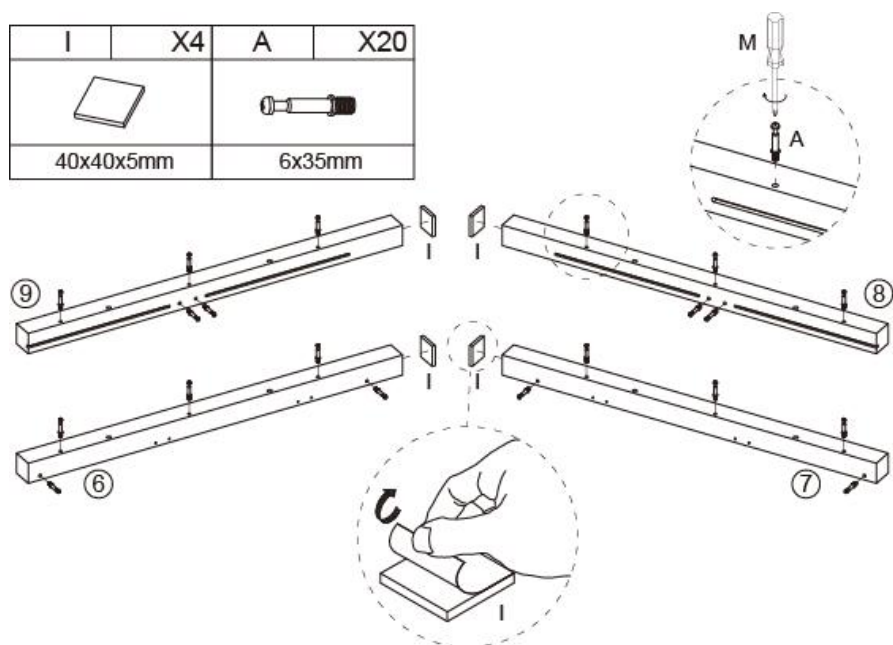
A	X32	B	X32	C	X24	D	X32	E	X8
									
6x35mm		15x12mm		Ø 30mm		3.5x14mm		14x14x9mm	
F	X4	G	X2	H	X4	I	X4	J	X2
									
5x13mm		M4x18mm		41x30x13mm		40x40x5mm			
K	X2	L	X2	M	X1	O	X1		
									
						M4			

STEP1

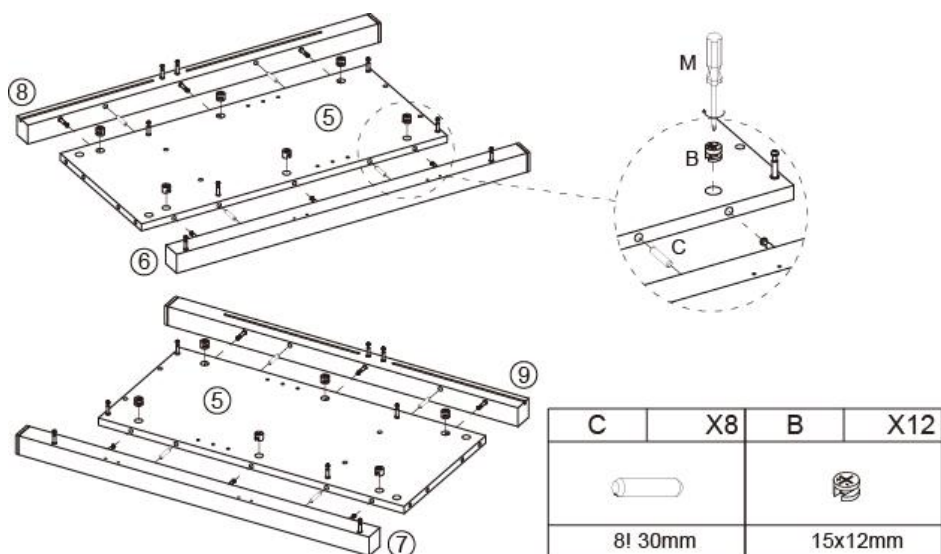




STEP2

I	X4	A	X20
			
40x40x5mm		6x35mm	

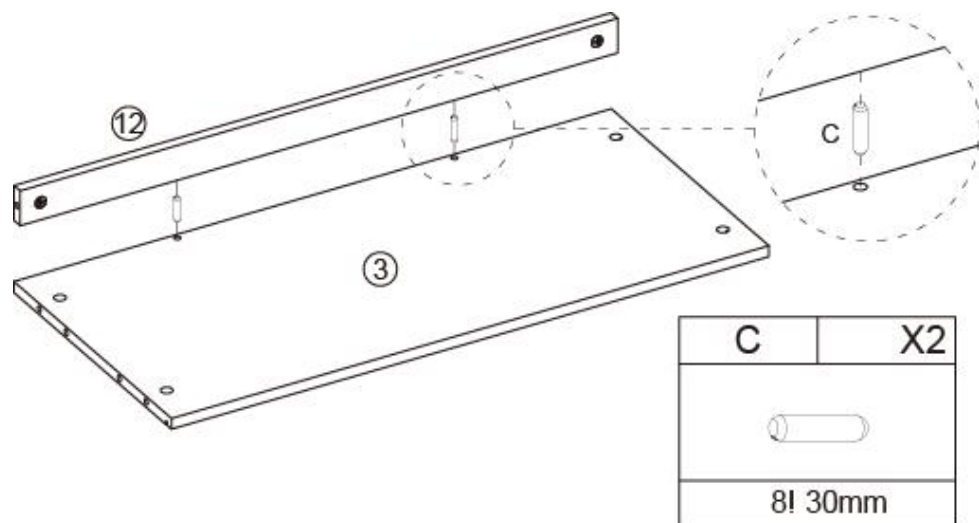


STEP3

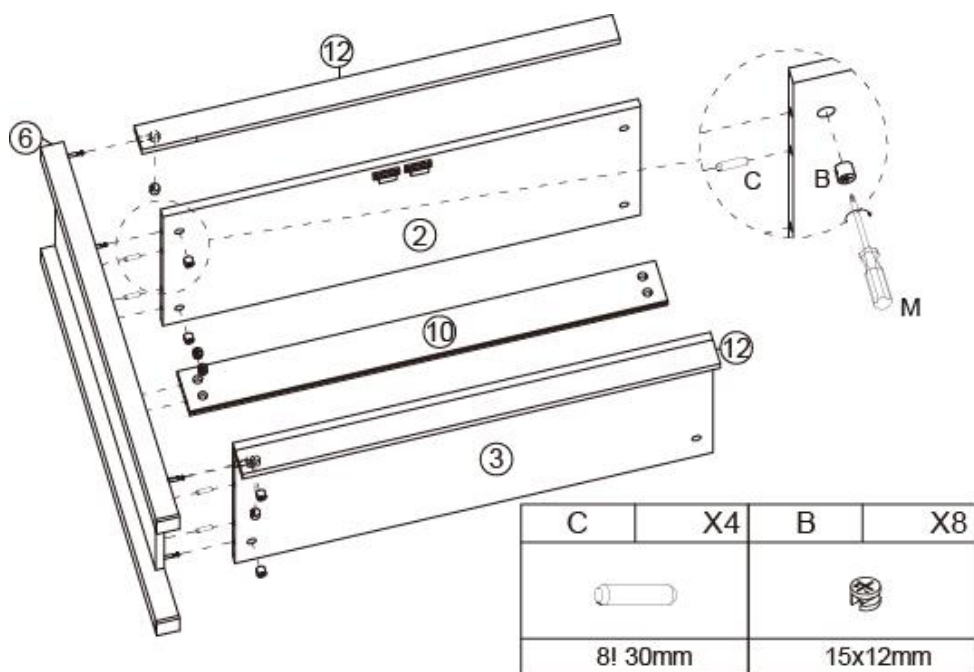


C	X8	B	X12
			
8! 30mm		15x12mm	

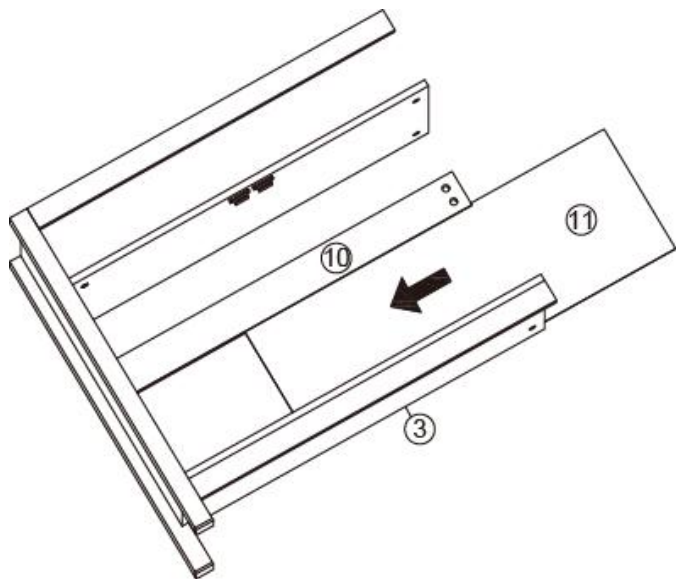
STEP4



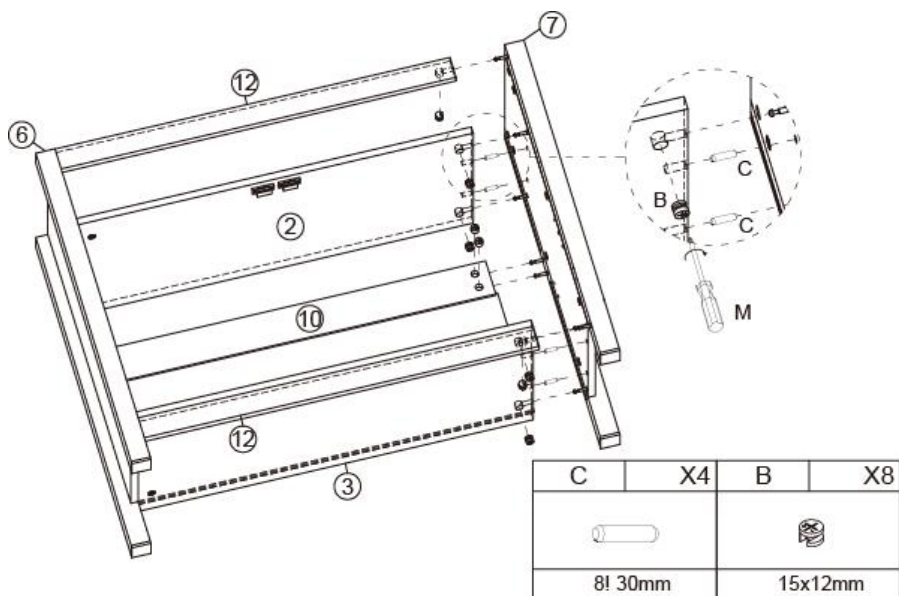
STEP5



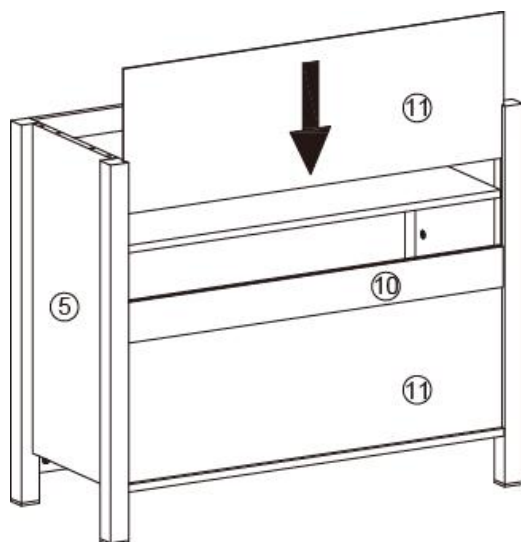
STEP6



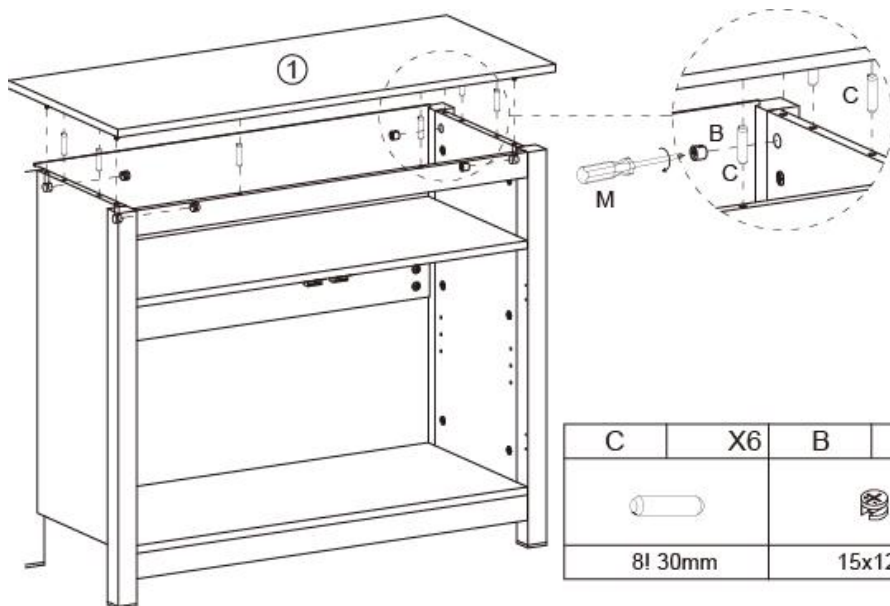
STEP7



STEP8

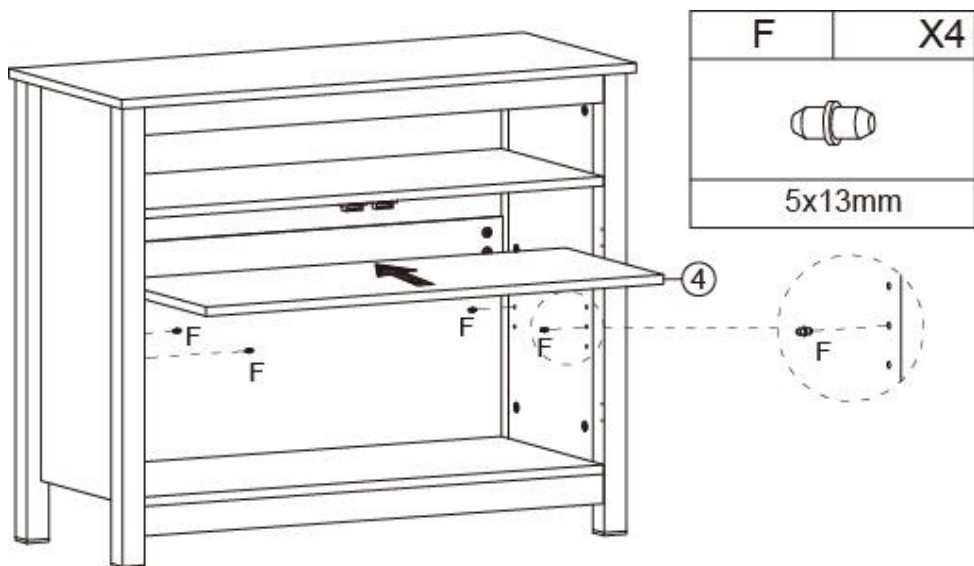


STEP9

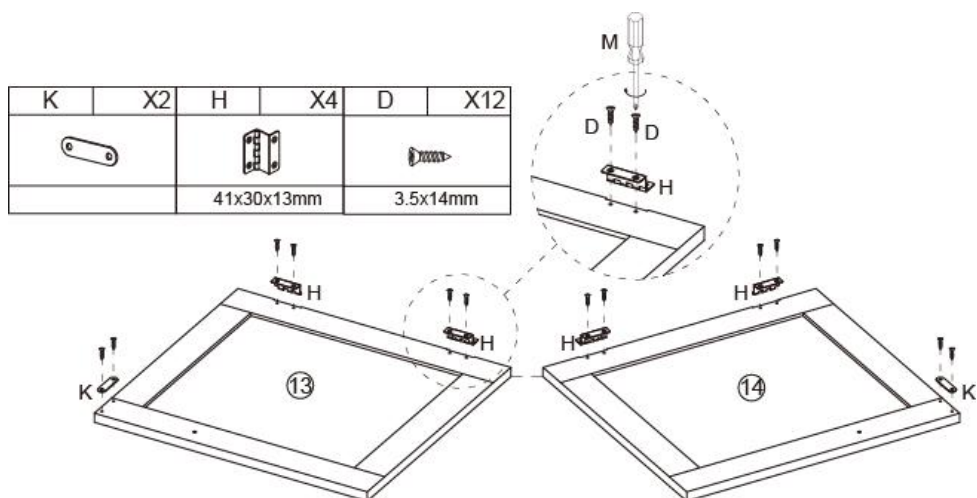


C	X6	B	X4
			
8! 30mm		15x12mm	

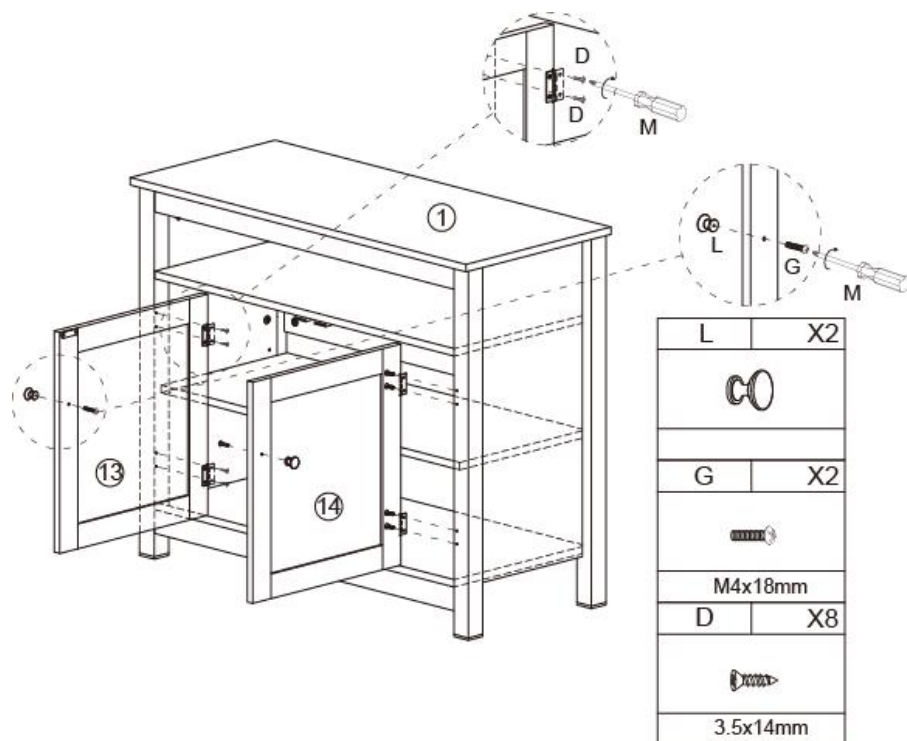
STEP10



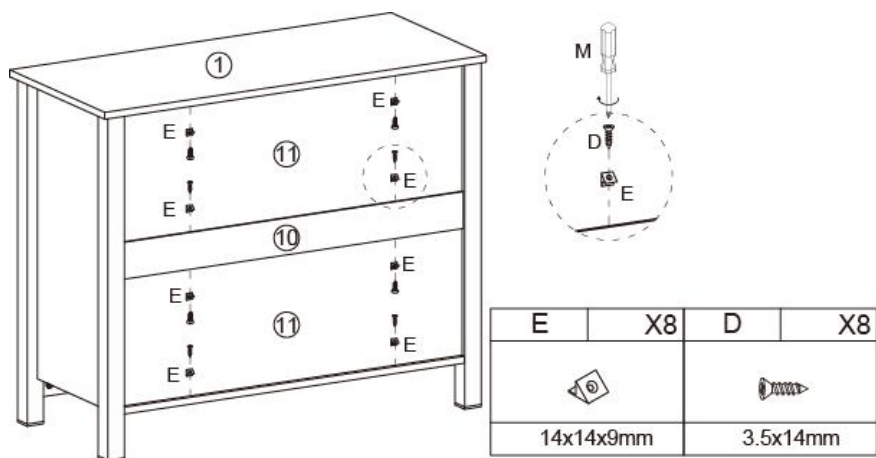
STEP11



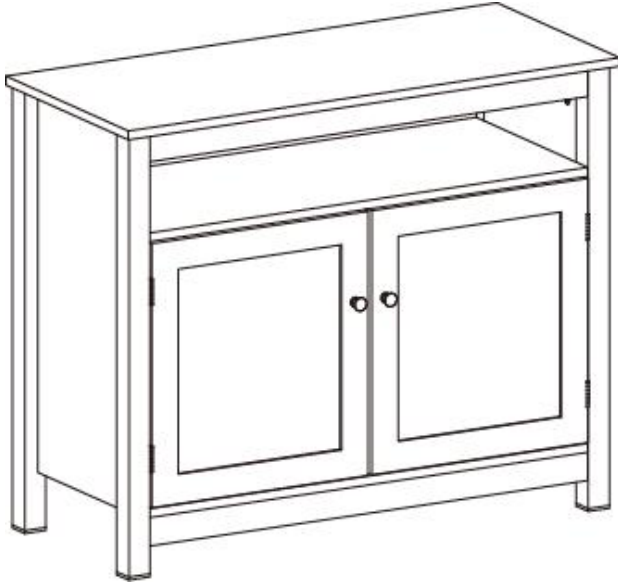
STEP12



STEP13



STEP14



Address: Baoshanqu Shuangchenglu 803long 11hao 1602A-1609shi
Shanghai

Imported to AUS: SIHAO PTY LTD, 1 ROKEVASTREETEASTWOOD
NSW 2122Australia

Imported to USA: VEVOR STORE INC, 9448 RINCHMOND PL #E
RANCHO CUCAMONGA, California, 91730 United States of America



Pooledas Group Ltd
Unit 5 Albert Edward House, The Pavilions
Preston, United Kingdom



SHUNSHUN GmbH
Römeräcker 9 Z2021, 76351
Linkenheim-Hochstetten, Germany

Made In China

VEVOR[®]

TOUGH TOOLS, HALF PRICE

Technical Support and E-Warranty Certificate

www.vevor.com/support

VEVOR[®]

TOUGH TOOLS, HALF PRICE

Technique Assistance et certificat de garantie électronique

www.vevor.com/support

BALANCE D'EXPÉDITION

MODÈLE : GSSU-FTS014

We continue to be committed to provide you tools with competitive price.

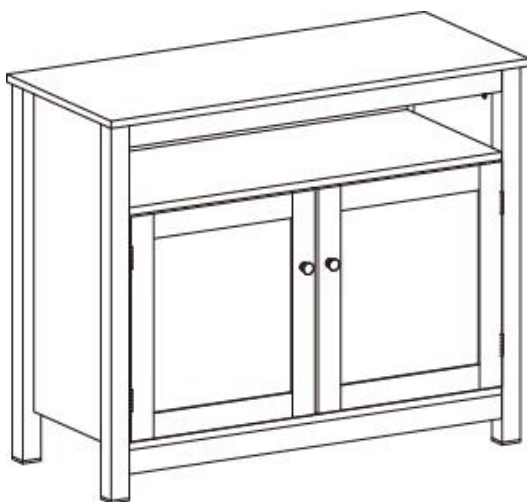
"Save Half", "Half Price" or any other similar expressions used by us only represents an estimate of savings you might benefit from buying certain tools with us compared to the major top brands and does not necessarily mean to cover all categories of tools offered by us. You are kindly reminded to verify carefully when you are placing an order with us if you are actually saving half in comparison with the top major brands.

VEVOR®

TOUGH TOOLS, HALF PRICE

SHIPPING SCALE

MODÈLE : GSSU-FTS014






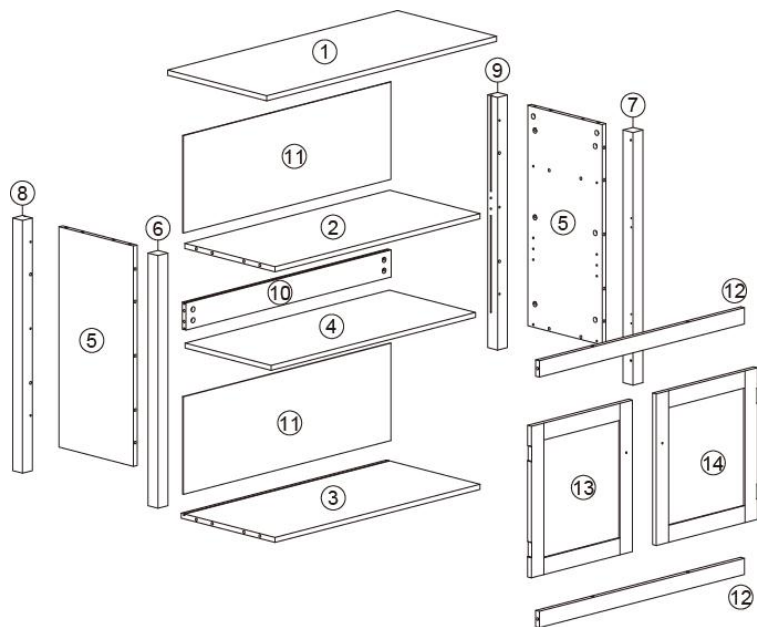
NEED HELP? CONTACT US!















Have product questions? Need technical support? Please feel free to contact us:

Technical Support and E-Warranty Certificate
www.vevor.com/support

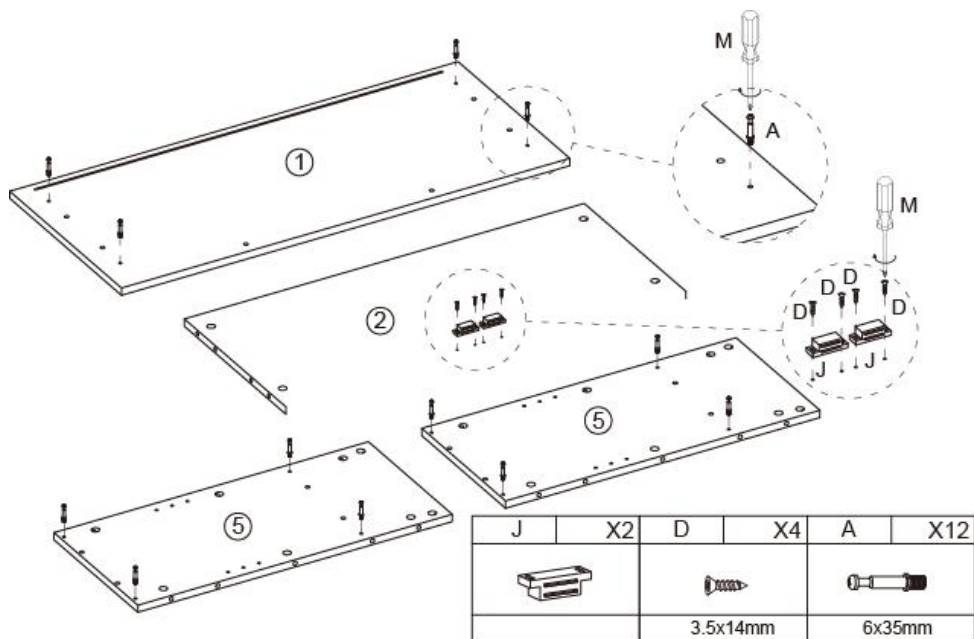
This is the original instruction, please read all manual instructions carefully before operating. VEVOR reserves a clear interpretation of our user manual. The appearance of the product shall be subject to the product you received. Please forgive us that we won't inform you again if there are any technology or software updates on our product.

	<p>Avertissement : Pour réduire le risque de blessure, l'utilisateur doit lire attentivement le manuel d'instructions.</p>
	<p>Cet appareil est conforme à la partie 15 des règles FCC. Son fonctionnement est soumis aux deux conditions suivantes : (1) Cet appareil ne doit pas provoquer d'interférences nuisibles et (2) cet appareil doit accepter toute interférence reçue, y compris les interférences susceptibles de provoquer un fonctionnement indésirable.</p>
	<p>Ce produit est soumis aux dispositions de la directive européenne 2012/19/CE. Le symbole représentant une poubelle barrée indique que le produit nécessite une collecte sélective des déchets dans l'Union européenne. Ceci s'applique au produit et à tous les accessoires marqués de ce symbole. Les produits marqués comme tels ne peuvent pas être jetés avec les ordures ménagères normales, mais doivent être déposés dans un point de collecte pour le recyclage des appareils électriques et électroniques.</p>





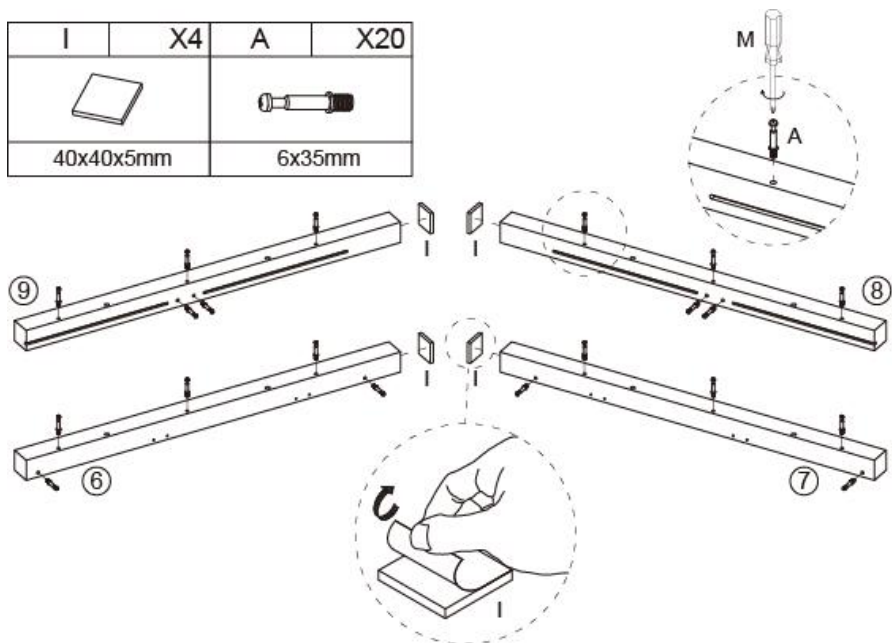
A	X32	B	X32	C	X24	D	X32	E	X8
									
6x35mm		15x12mm		8! 30mm		3.5x14mm		14x14x9mm	
F	X4	G	X2	H	X4	I	X4	J	X2
									
5x13mm		M4x18mm		41x30x13mm		40x40x5mm			
K	X2	L	X2	M	X1	O	X1		
									
						M4			

ÉTAPE 1

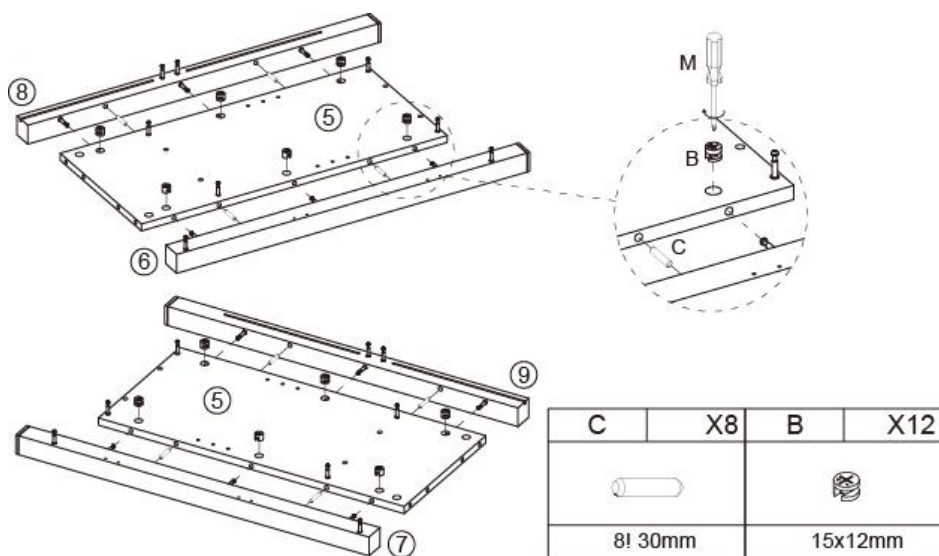




ÉTAPE 2

I	X4	A	X20
			
40x40x5mm		6x35mm	

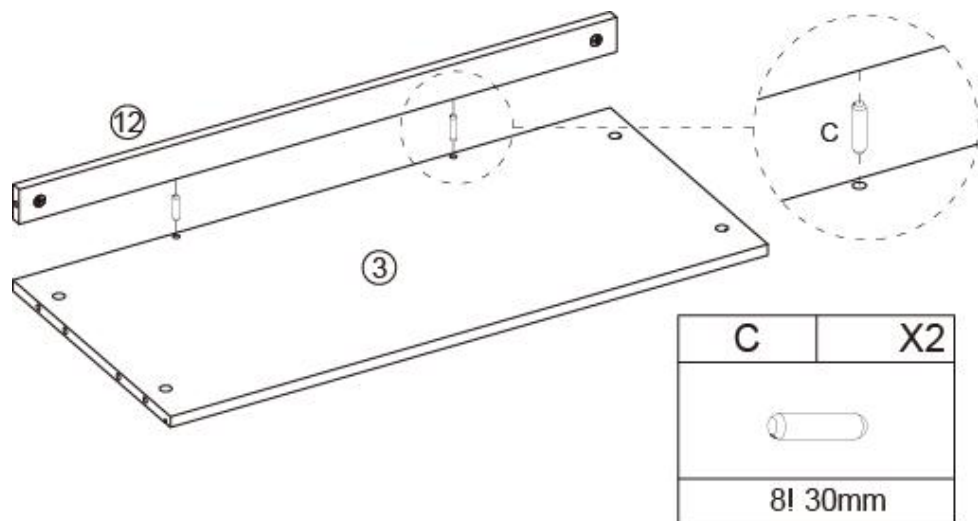


ÉTAPE 3

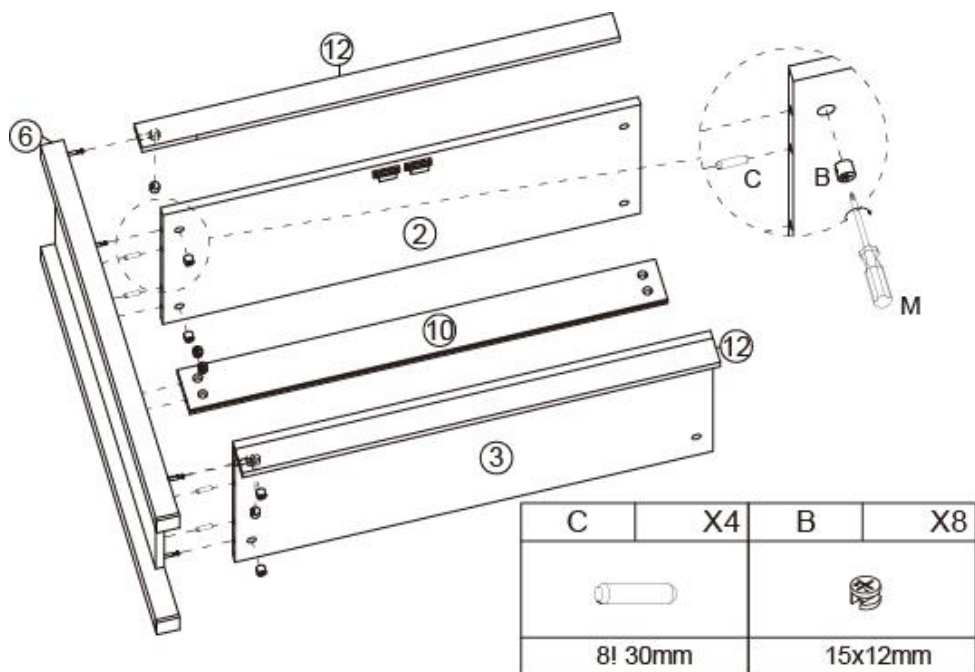


C	X8	B	X12
			
8! 30mm		15x12mm	

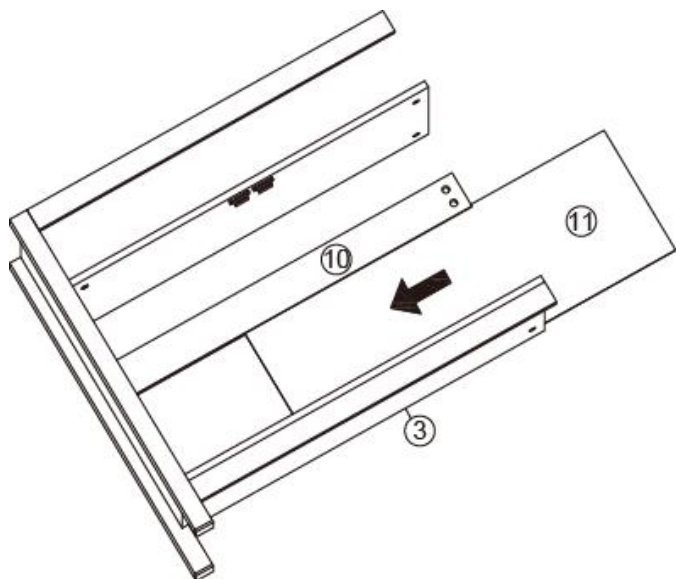
ÉTAPE 4



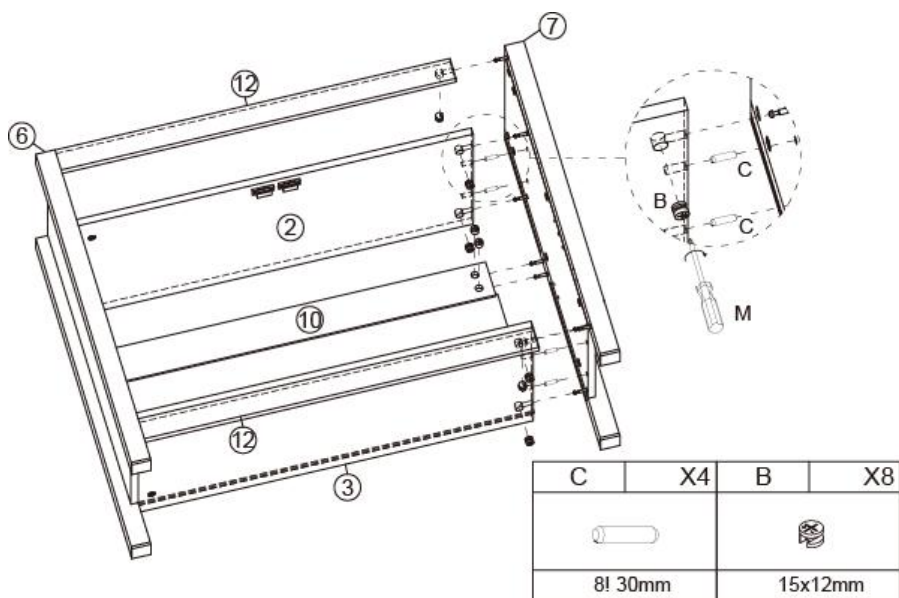
ÉTAPE 5



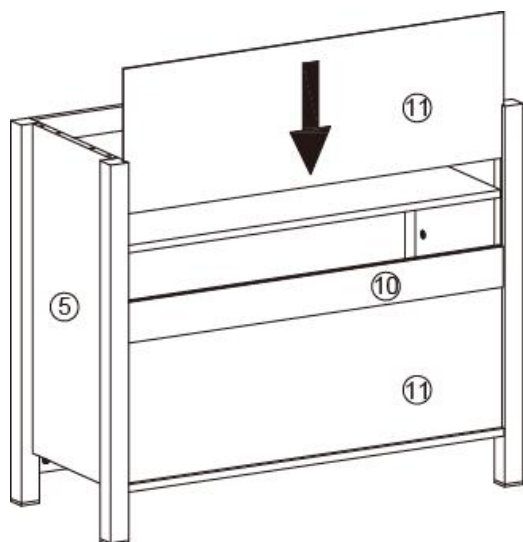
ÉTAPE 6



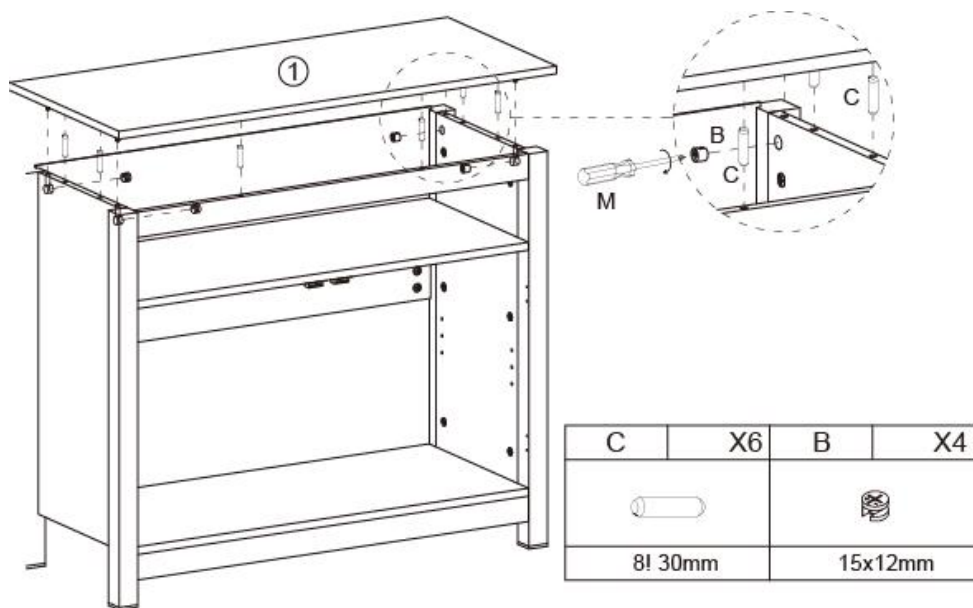
ÉTAPE 7



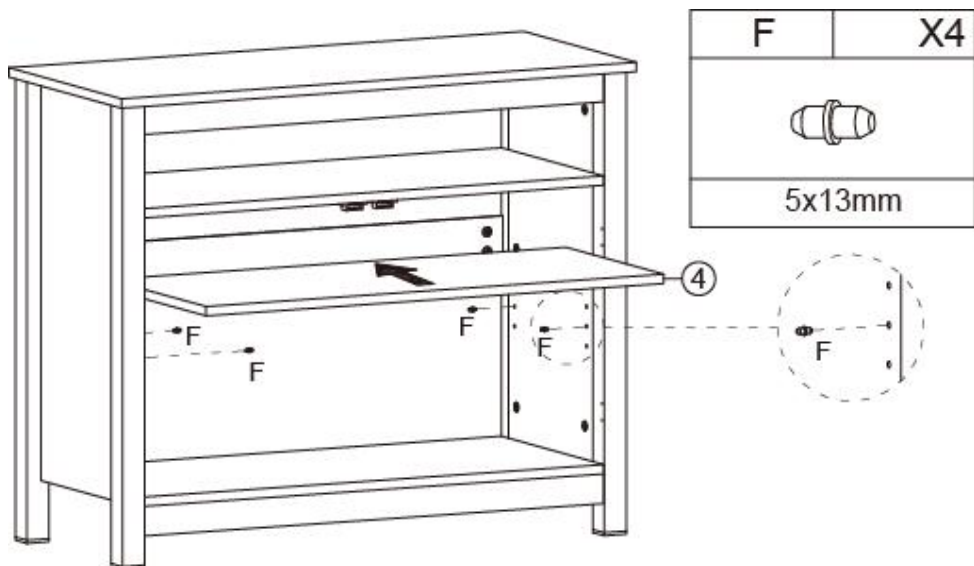
ÉTAPE 8



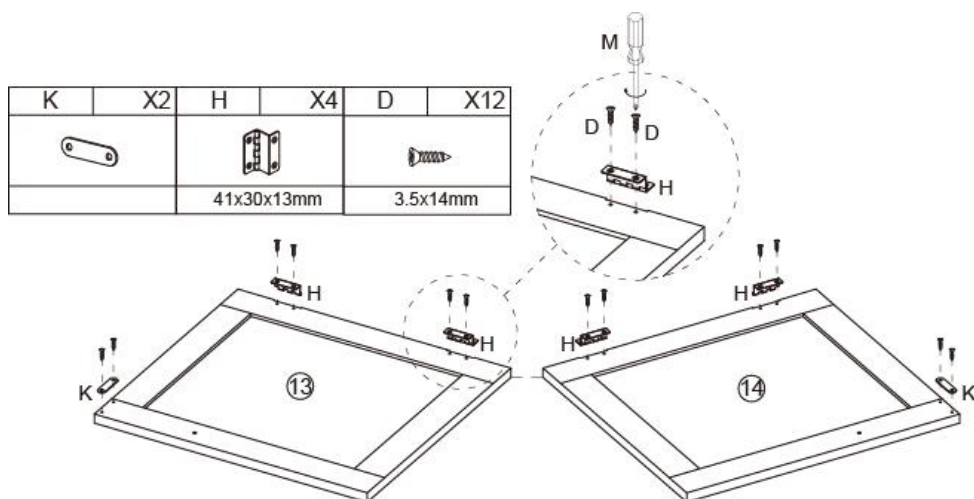
ÉTAPE9



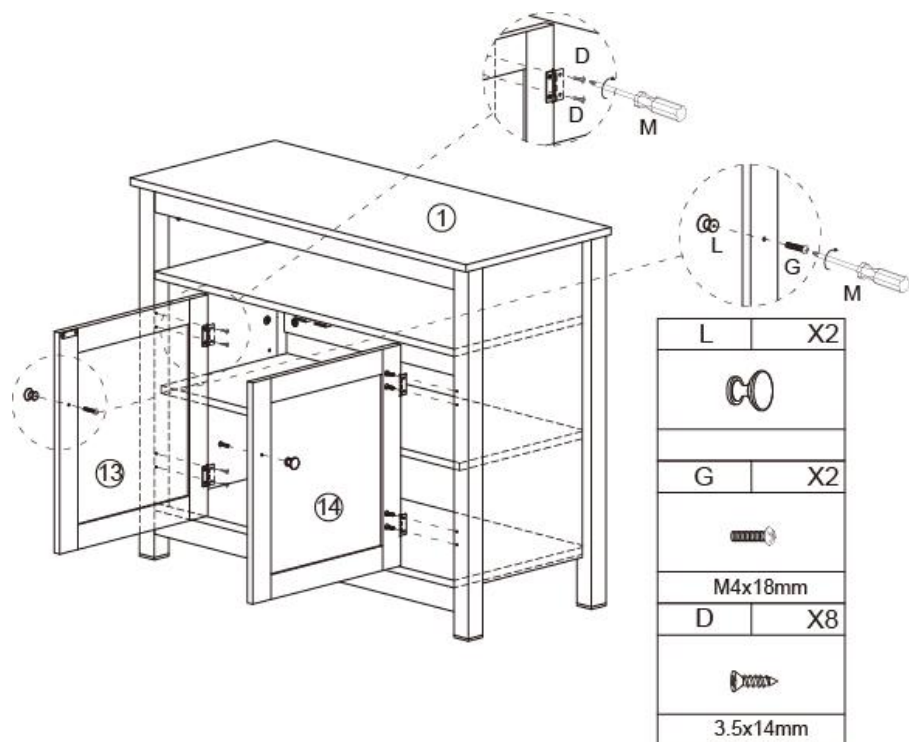
ÉTAPE10



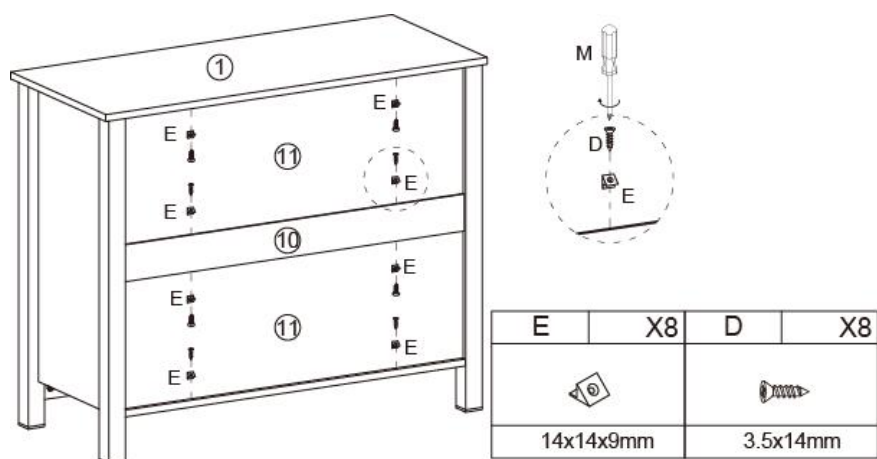
ÉTAPE11



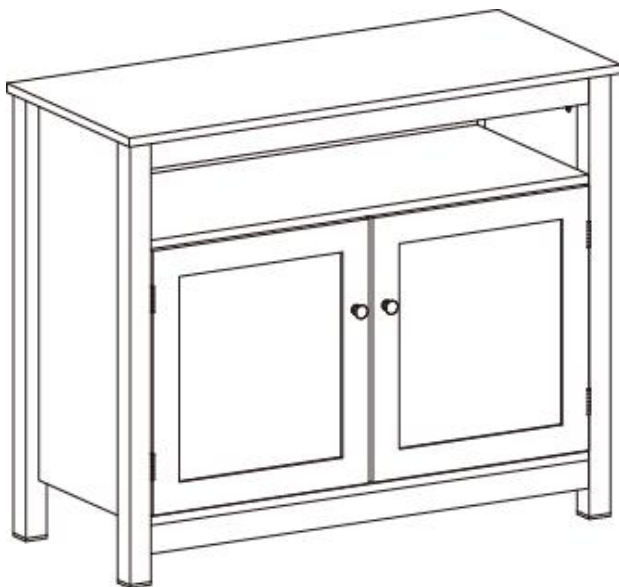
ÉTAPE12



ÉTAPE13



ÉTAPE14



Adresse: Baoshanqu Shuangchenglu 803long 11hao 1602A-1609shi
Shanghai

Importé vers AUS : SIHAO PTY LTD, 1 ROKEVASTREETEASTWOOD
NSW 2122Australie

Importé aux États-Unis : VEVOR STORE INC, 9448 RINCHMOND PL #E
RANCHO CUCAMONGA, Californie, 91730 États-Unis d'Amérique

UK	REP
-----------	------------

Pooledas Group Ltd
Unit 5 Albert Edward House, The Pavilions
Preston, United Kingdom

EC	REP
-----------	------------

SHUNSHUN GmbH
Römeräcker 9 Z2021, 76351
Linkenheim-Hochstetten, Germany

Fabriqué en Chine

VEVOR[®]

TOUGH TOOLS, HALF PRICE

Technique Assistance et certificat de garantie électronique

www.vevor.com/support

VEVOR[®]

TOUGH TOOLS, HALF PRICE

Technisch Support- und E-Garantie-Zertifikat www.vevor.com/support

VERSANDSKALA

MODELL: GSSU-FTS014

We continue to be committed to provide you tools with competitive price.

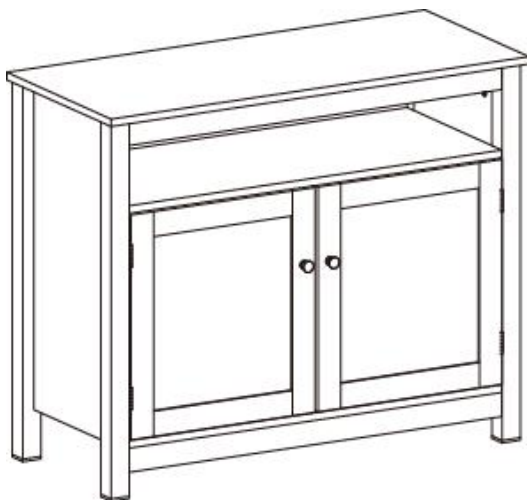
"Save Half", "Half Price" or any other similar expressions used by us only represents an estimate of savings you might benefit from buying certain tools with us compared to the major top brands and does not necessarily mean to cover all categories of tools offered by us. You are kindly reminded to verify carefully when you are placing an order with us if you are actually saving half in comparison with the top major brands.

VEVOR®

TOUGH TOOLS, HALF PRICE

SHIPPING SCALE

MODELL: GSSU-FTS014







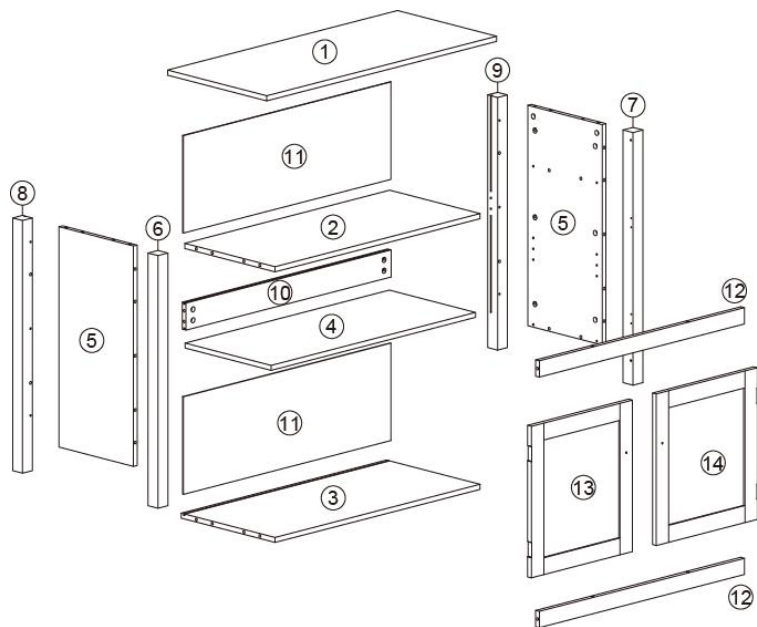
NEED HELP? CONTACT US!















Have product questions? Need technical support? Please feel free to contact us:

Technical Support and E-Warranty Certificate
www.vevor.com/support

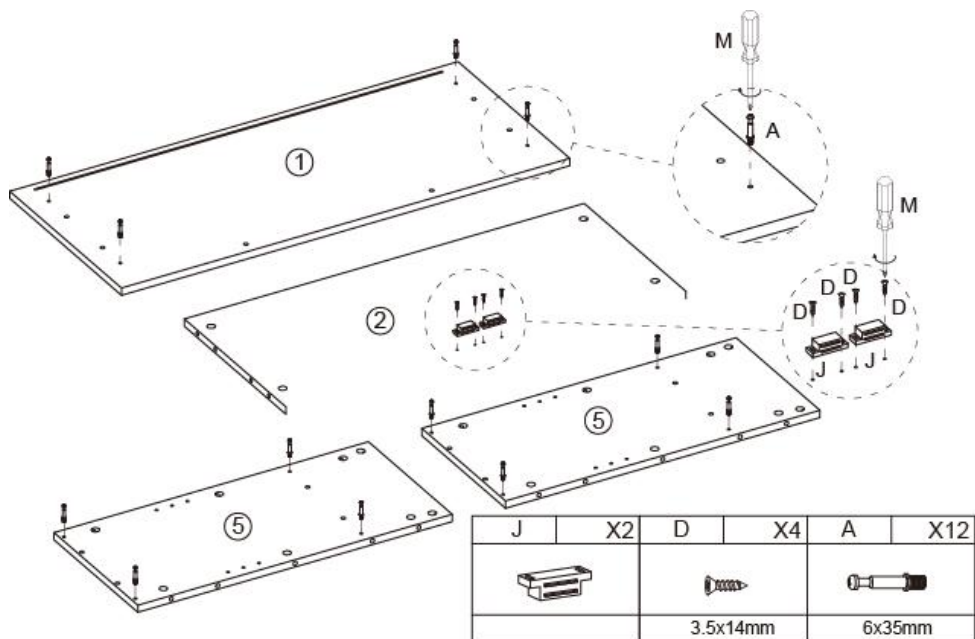
This is the original instruction, please read all manual instructions carefully before operating. VEVOR reserves a clear interpretation of our user manual. The appearance of the product shall be subject to the product you received. Please forgive us that we won't inform you again if there are any technology or software updates on our product.

	<p>Warnung: Um das Verletzungsrisiko zu verringern, muss der Benutzer die Bedienungsanleitung sorgfältig lesen.</p>
	<p>Dieses Gerät entspricht Teil 15 der FCC-Bestimmungen. Der Betrieb unterliegt den folgenden beiden Bedingungen: (1) Dieses Gerät darf keine schädlichen Störungen verursachen und (2) dieses Gerät muss alle empfangenen Störungen akzeptieren, einschließlich Störungen, die einen unerwünschten Betrieb verursachen können.</p>
 	<p>Dieses Produkt unterliegt den Bestimmungen der europäischen Richtlinie 2012/19/EG. Das Symbol einer durchgestrichenen Mülltonne weist darauf hin, dass das Produkt in der Europäischen Union einer getrennten Müllsammlung bedarf. Dies gilt für das Produkt und alle Zubehörteile, die mit diesem Symbol gekennzeichnet sind. Als solche gekennzeichnete Produkte dürfen nicht über den normalen Hausmüll entsorgt werden, sondern müssen an einer Sammelstelle für das Recycling von Elektro- und Elektronikgeräten abgegeben werden</p>





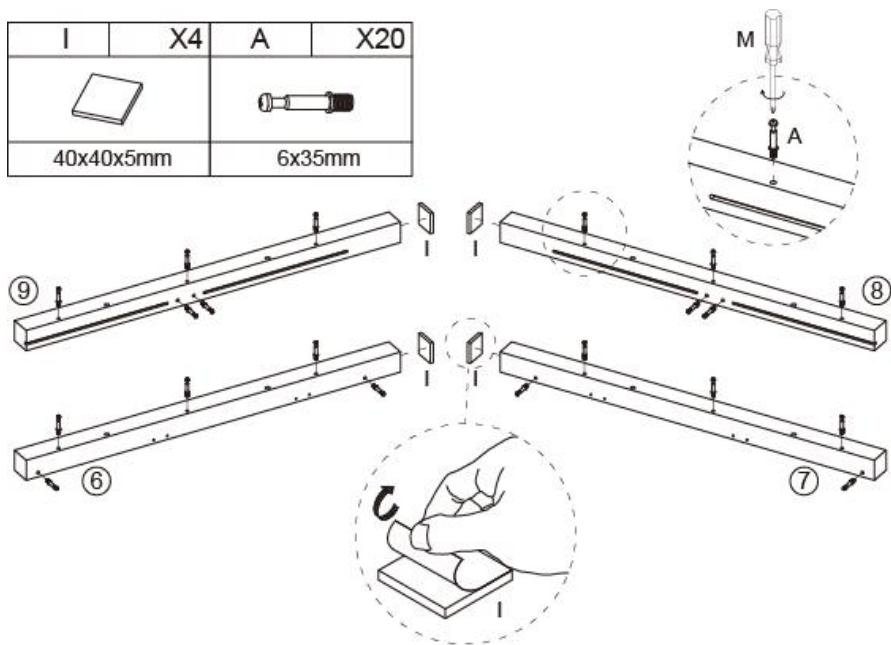
A	X32	B	X32	C	X24	D	X32	E	X8
									
6x35mm		15x12mm		8! 30mm		3.5x14mm		14x14x9mm	
F	X4	G	X2	H	X4	I	X4	J	X2
									
5x13mm		M4x18mm		41x30x13mm		40x40x5mm			
K	X2	L	X2	M	X1	O	X1		
									
						M4			

SCHRITT 1

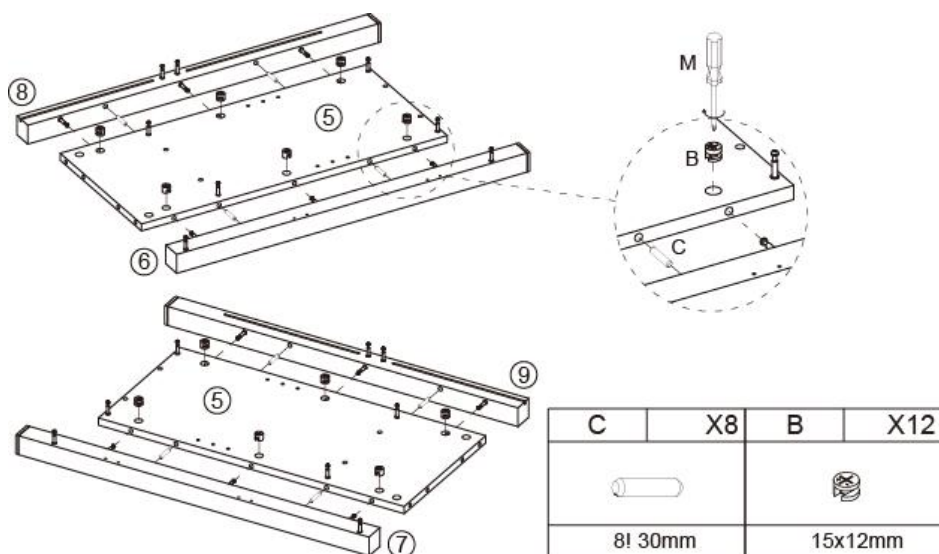




SCHRITT 2

I	X4	A	X20
			
40x40x5mm		6x35mm	

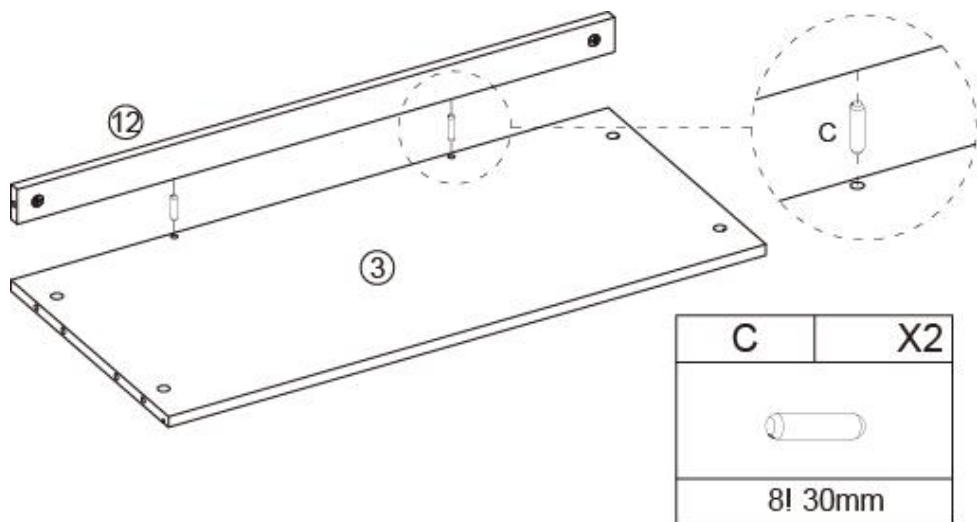


SCHRITT 3

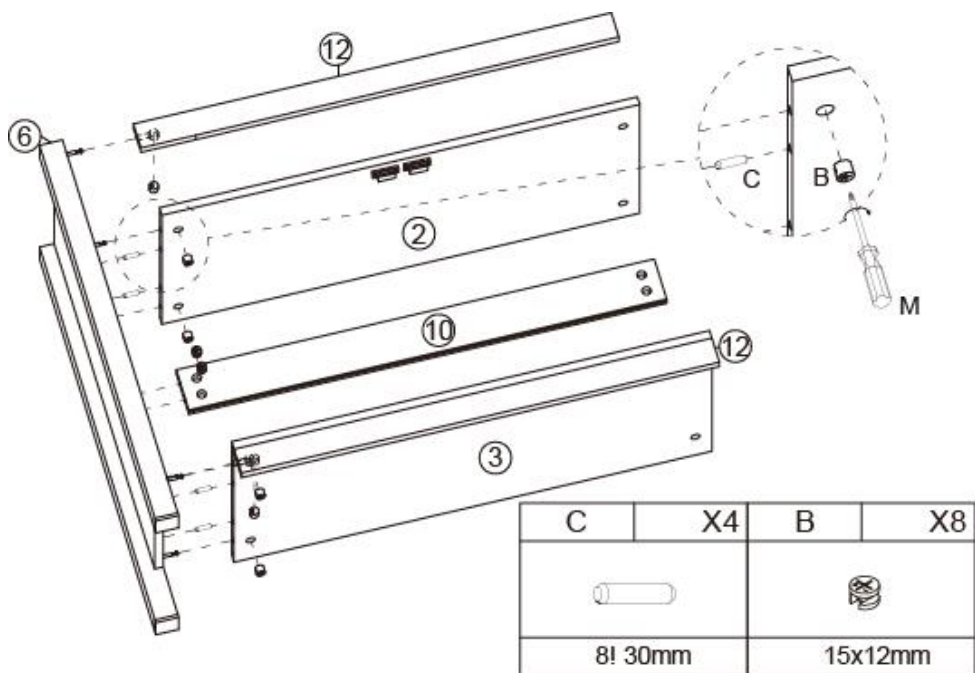


C	X8	B	X12
			
8! 30mm		15x12mm	

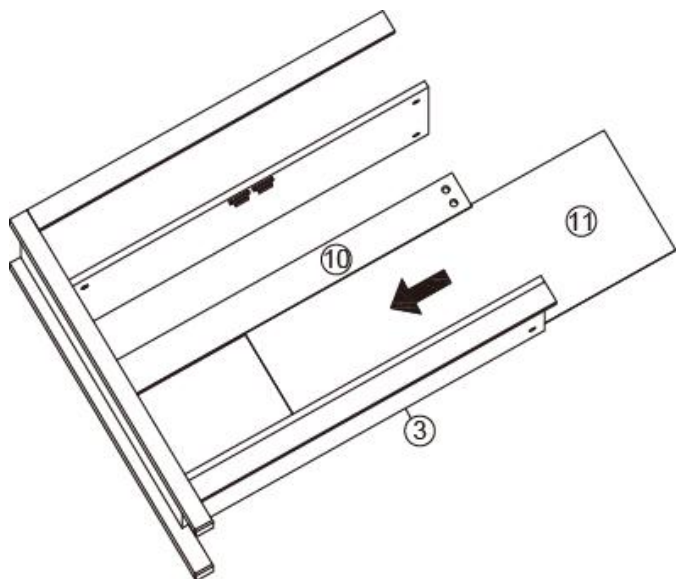
SCHRITT 4



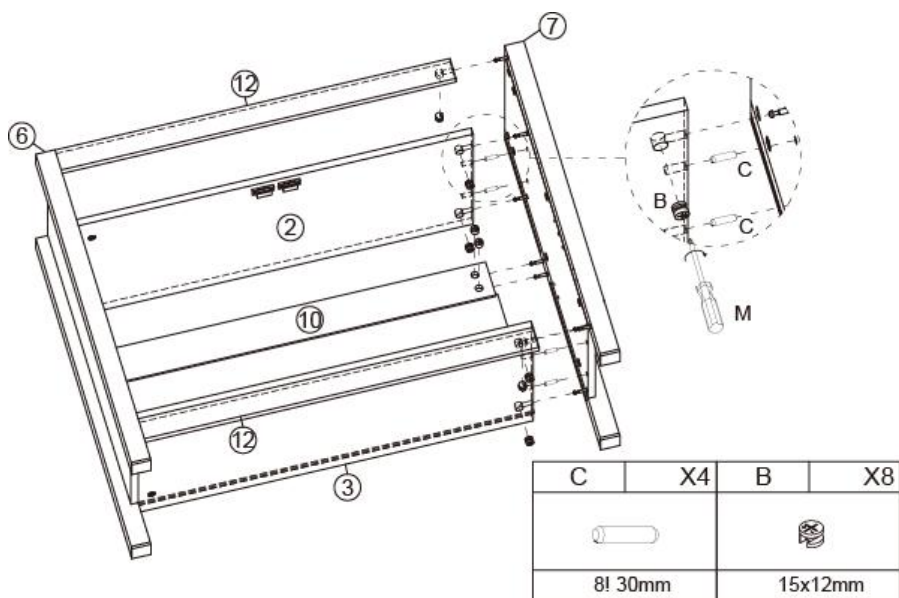
SCHRITT5



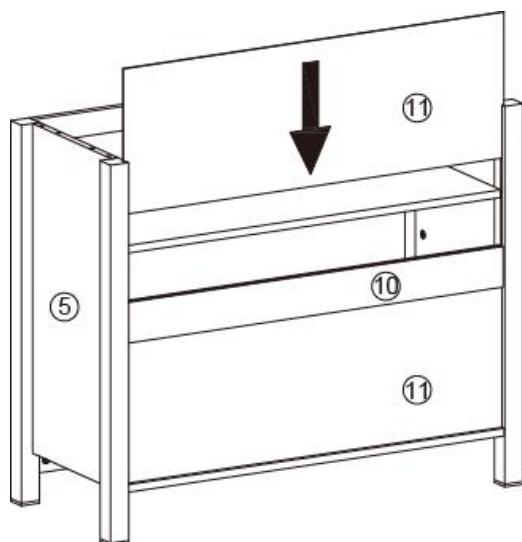
SCHRITT6



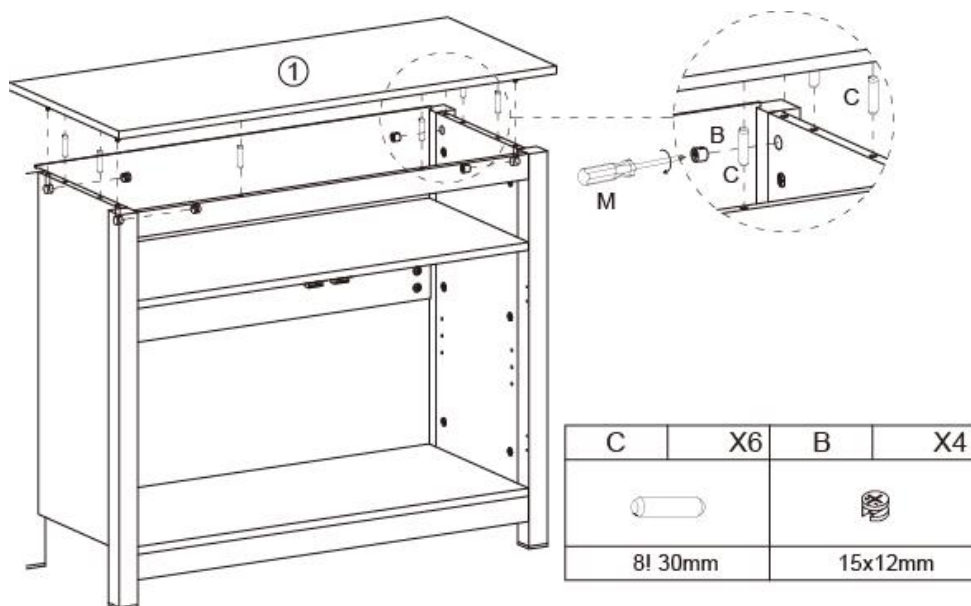
SCHRITT7



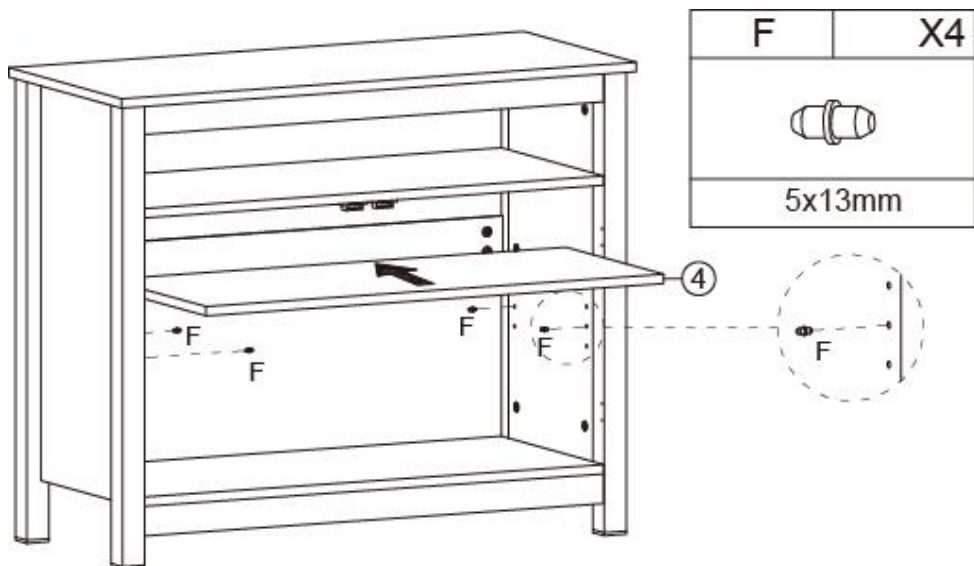
SCHRITT8



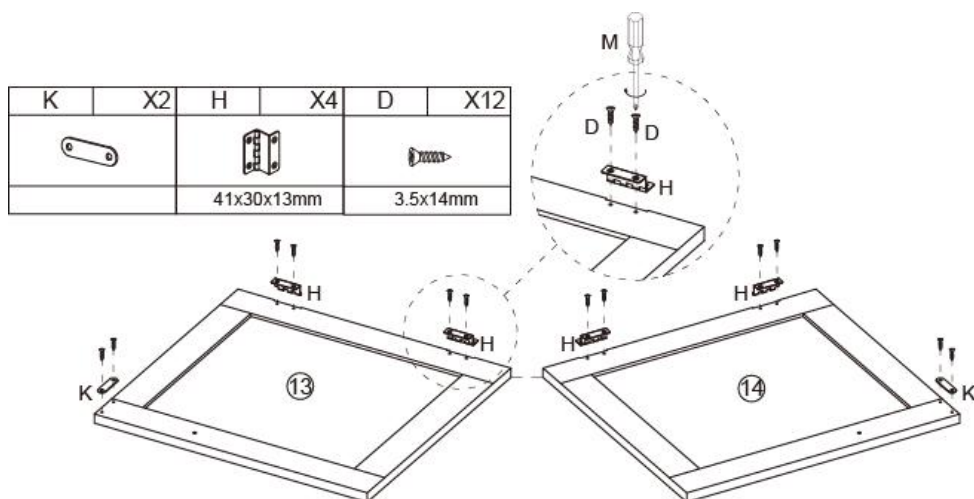
SCHRITT9



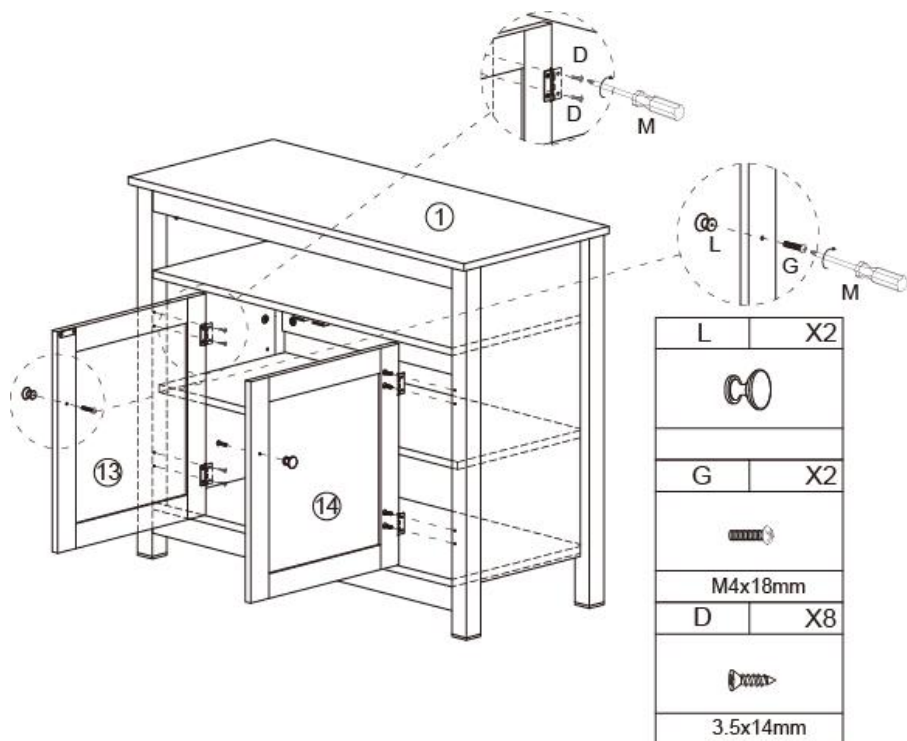
SCHRITT10



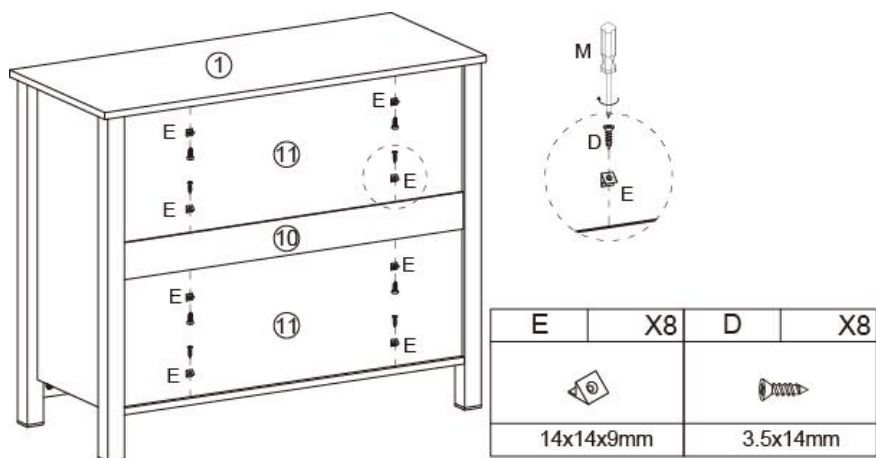
SCHRITT11



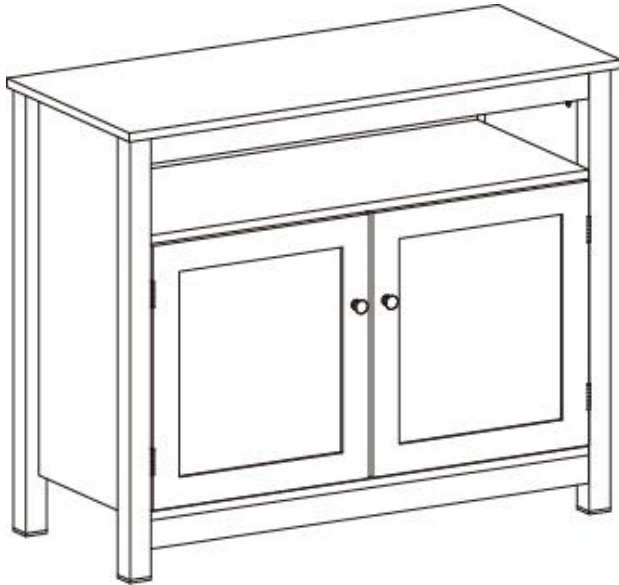
SCHRITT12



SCHRITT13



SCHRITT14



Adresse: Baoshanqu Shuangchenglu 803long 11hao 1602A-1609shi
Shanghai

Importiert nach AUS: SIHAO PTY LTD, 1 ROKEVASTREETEASTWOOD
NSW 2122Australien

Importiert in die USA: VEVOR STORE INC, 9448 RINCHMOND PL #E
RANCHO CUCAMONGA, Kalifornien, 91730 Vereinigte Staaten von
Amerika

UK	REP
-----------	------------

Pooledas Group Ltd
Unit 5 Albert Edward House, The Pavilions
Preston, United Kingdom

EC	REP
-----------	------------

SHUNSHUN GmbH
Römeräcker 9 Z2021, 76351
Linkenheim-Hochstetten, Germany

In China hergestellt

VEVOR[®]

TOUGH TOOLS, HALF PRICE

Technisch Support- und E-Garantiezertifikat

www.vevor.com/support

VEVOR[®]

TOUGH TOOLS, HALF PRICE

Tecnico Supporto e certificato di garanzia elettronica www.vevor.com/support

SCALA DI SPEDIZIONE

MODELLO:GSSU-FTS014

We continue to be committed to provide you tools with competitive price.

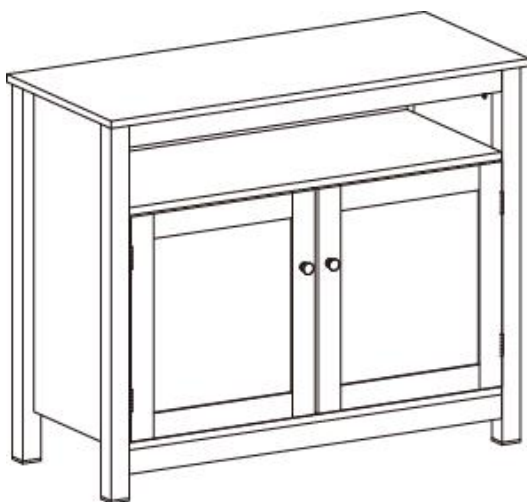
"Save Half", "Half Price" or any other similar expressions used by us only represents an estimate of savings you might benefit from buying certain tools with us compared to the major top brands and does not necessarily mean to cover all categories of tools offered by us. You are kindly reminded to verify carefully when you are placing an order with us if you are actually saving half in comparison with the top major brands.

VEVOR®

TOUGH TOOLS, HALF PRICE

SHIPPING SCALE

MODELLO:GSSU-FTS014






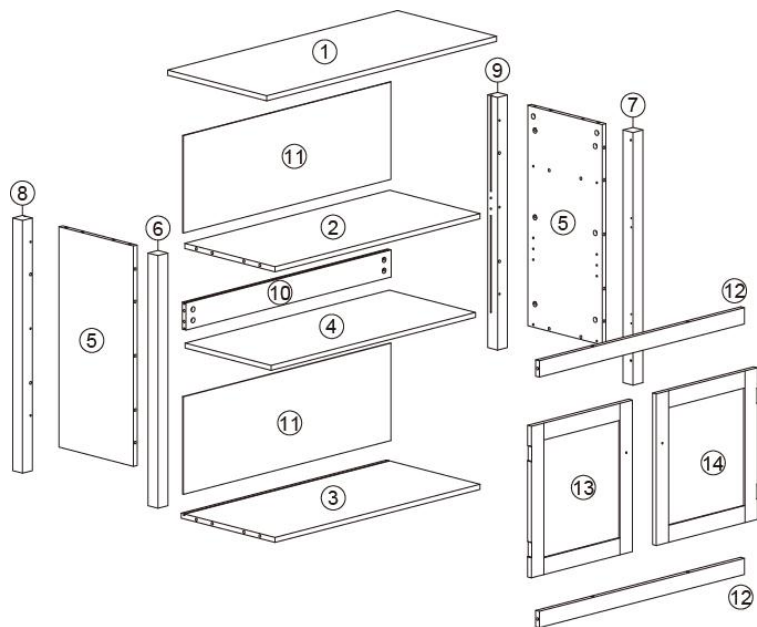
NEED HELP? CONTACT US!















Have product questions? Need technical support? Please feel free to contact us:

Technical Support and E-Warranty Certificate
www.vevor.com/support

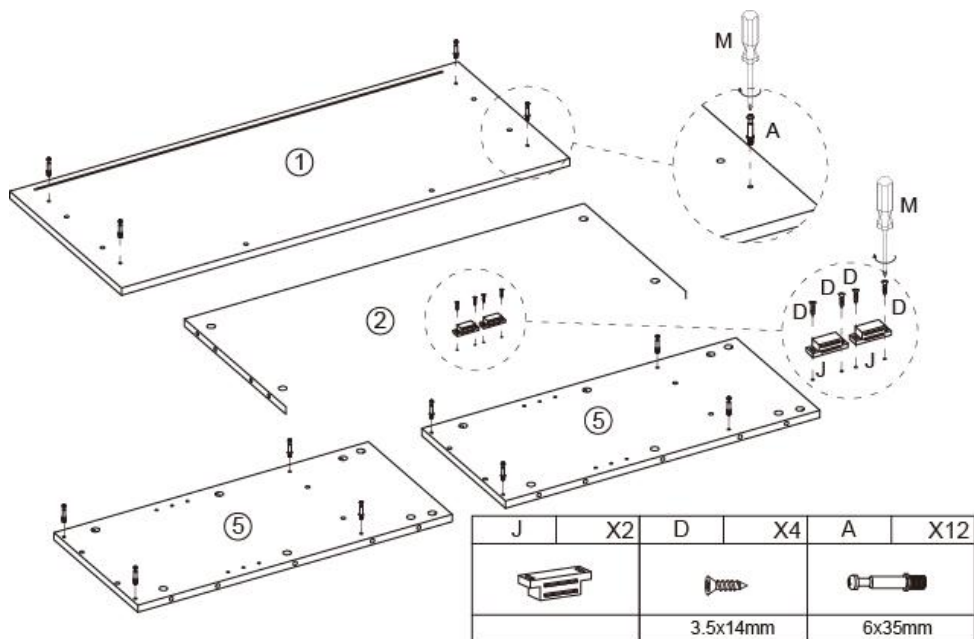
This is the original instruction, please read all manual instructions carefully before operating. VEVOR reserves a clear interpretation of our user manual. The appearance of the product shall be subject to the product you received. Please forgive us that we won't inform you again if there are any technology or software updates on our product.

	<p>Avvertenza: per ridurre il rischio di lesioni, l'utente deve leggere attentamente il manuale di istruzioni.</p>
	<p>Questo dispositivo è conforme alla Parte 15 delle norme FCC. Il funzionamento è soggetto alle seguenti due condizioni: (1) Questo dispositivo non può causare interferenze dannose e (2) questo dispositivo deve accettare qualsiasi interferenza ricevuta, comprese le interferenze che potrebbero causare un funzionamento indesiderato.</p>
	<p>Questo prodotto è soggetto alle disposizioni della Direttiva Europea 2012/19/CE. Il simbolo del bidone della spazzatura barrato indica che nell'Unione Europea il prodotto richiede la raccolta differenziata dei rifiuti. Ciò vale per il prodotto e tutti gli accessori contrassegnati da questo simbolo. I prodotti contrassegnati come tali non possono essere smaltiti con i normali rifiuti domestici, ma devono essere portati in un punto di raccolta per il riciclaggio di dispositivi elettrici ed elettronici</p>





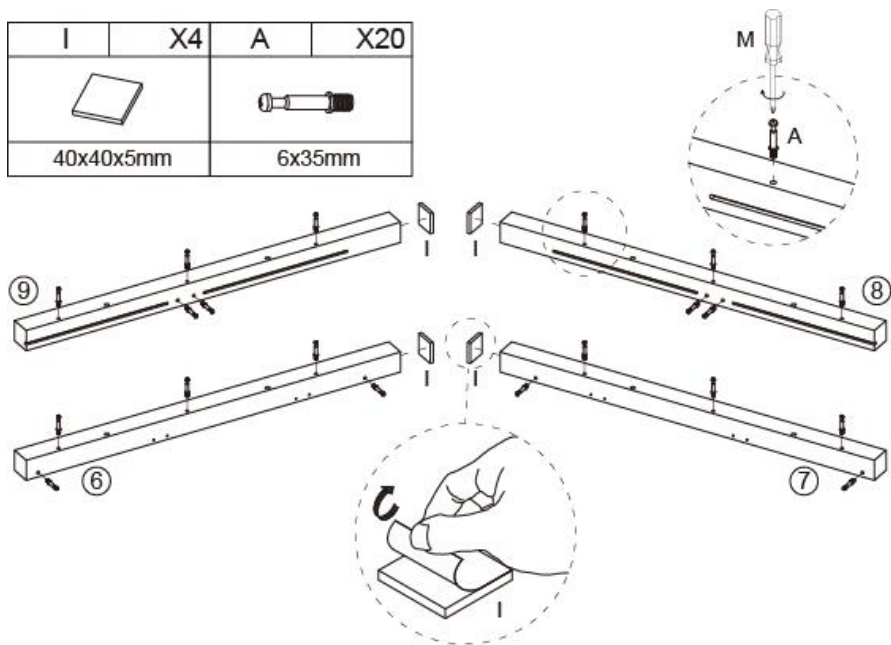
A	X32	B	X32	C	X24	D	X32	E	X8
									
6x35mm		15x12mm		8! 30mm		3.5x14mm		14x14x9mm	
F	X4	G	X2	H	X4	I	X4	J	X2
									
5x13mm		M4x18mm		41x30x13mm		40x40x5mm			
K	X2	L	X2	M	X1	O	X1		
									
						M4			

PASSO 1

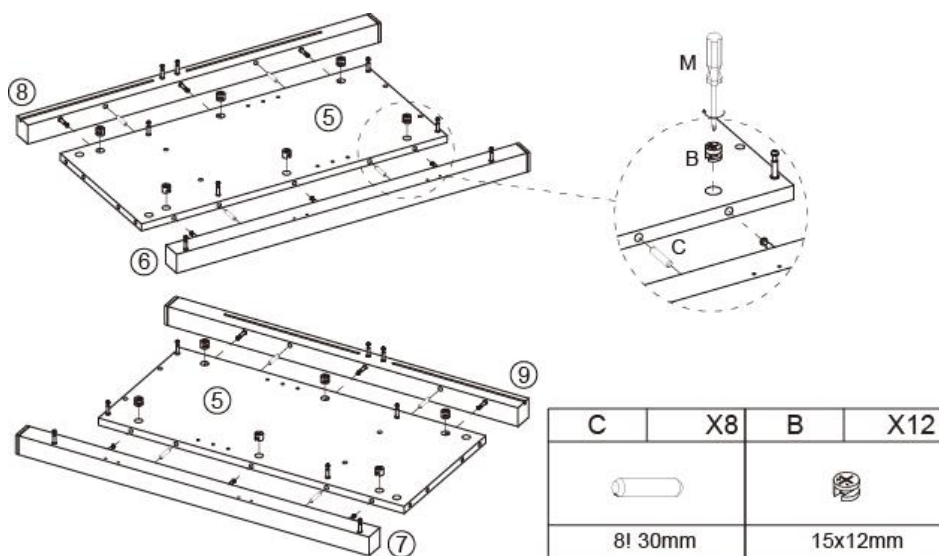


PASSO 2

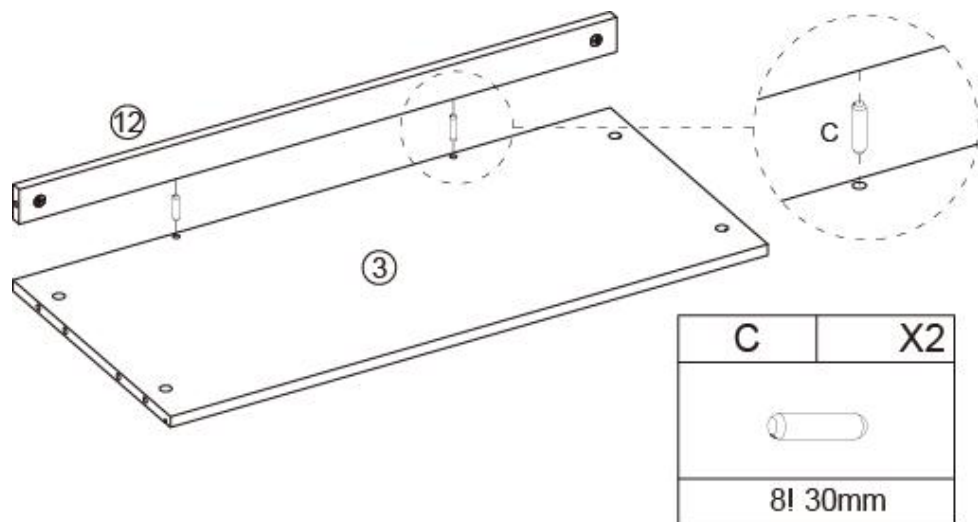
I	X4	A	X20
			
40x40x5mm		6x35mm	



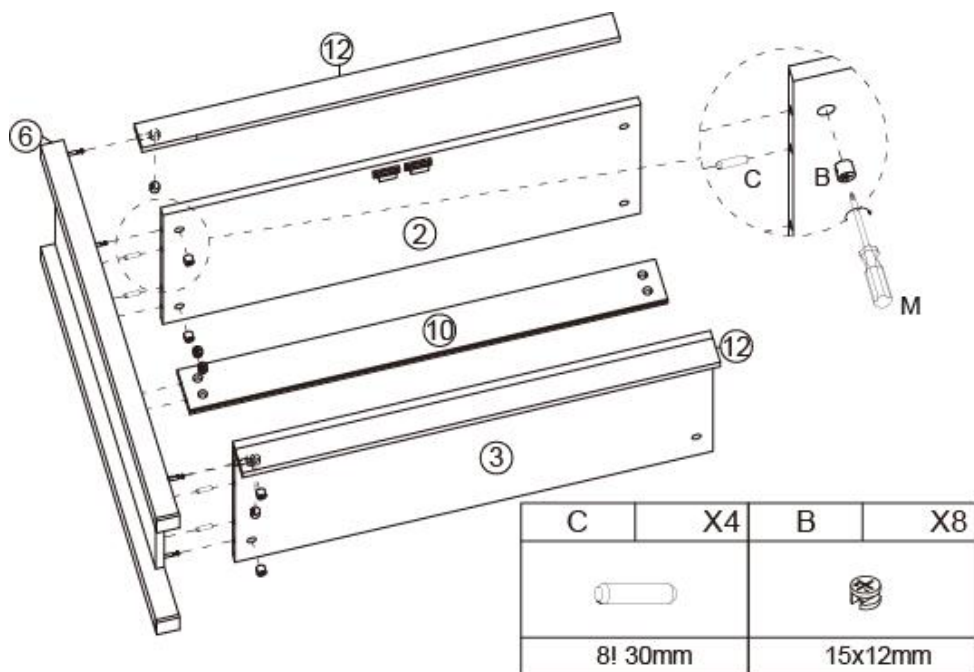
PASSO3



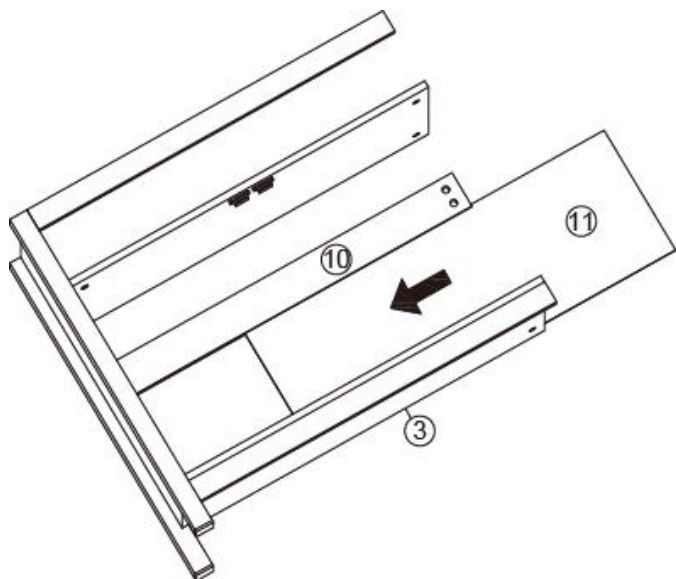
PASSO4



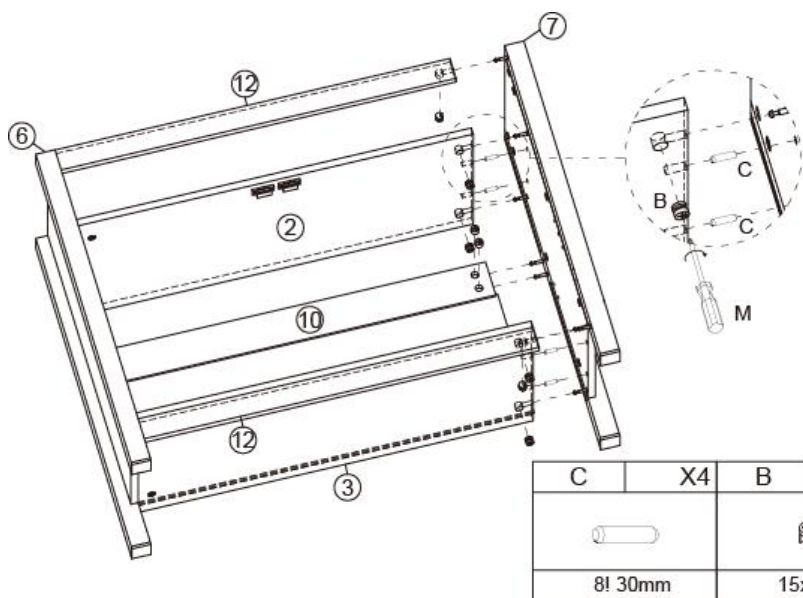
PASSO5



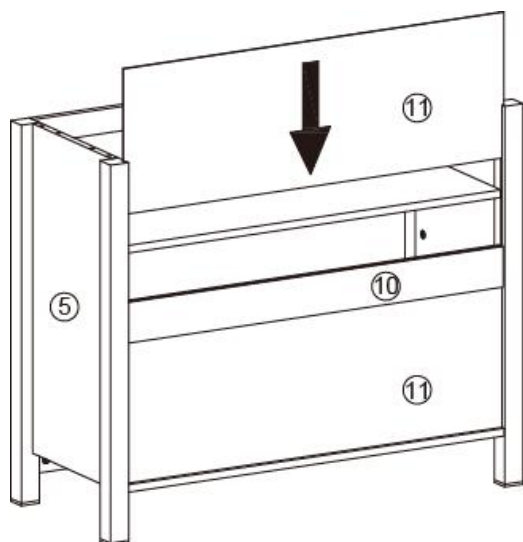
PASSO6



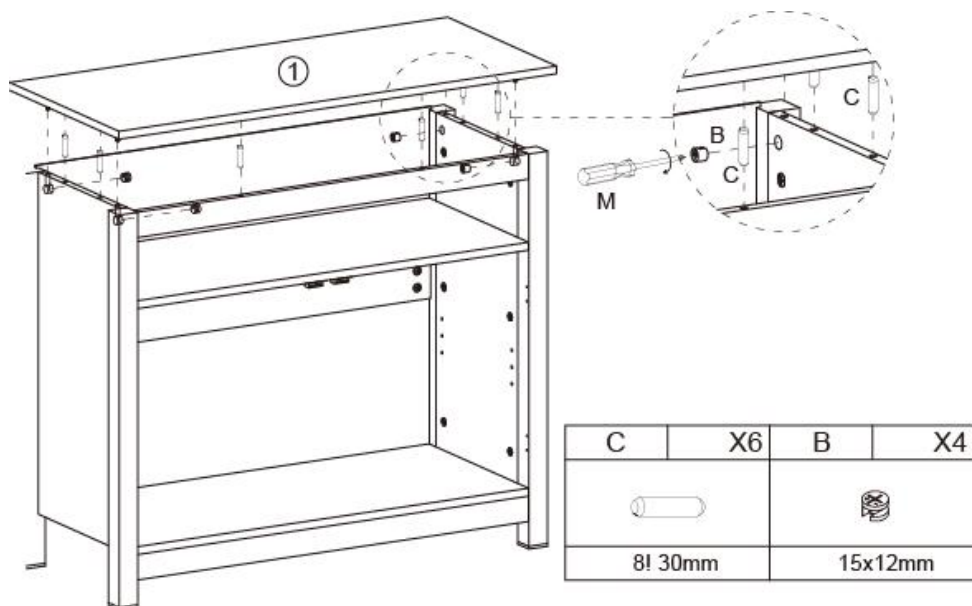
PASSO 7



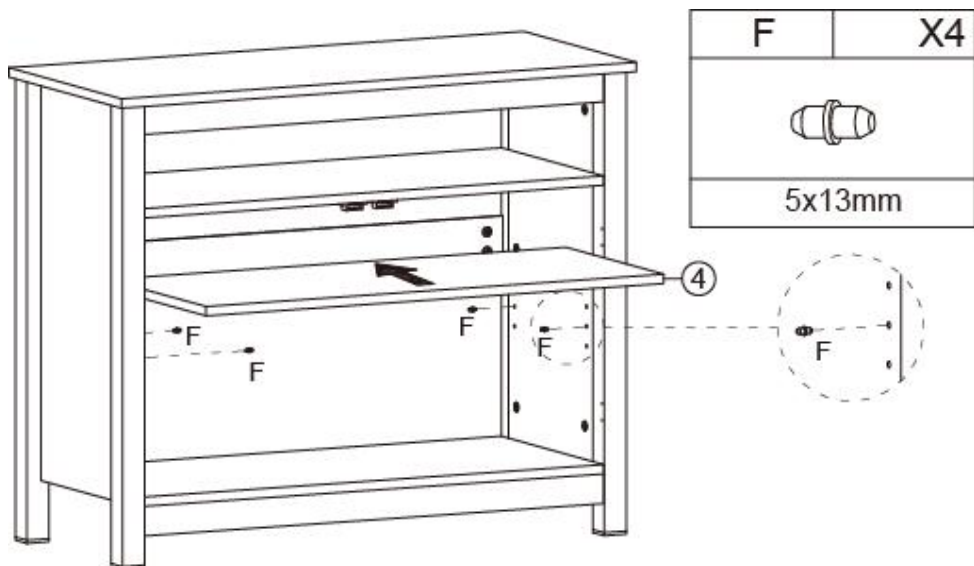
PASSO 8



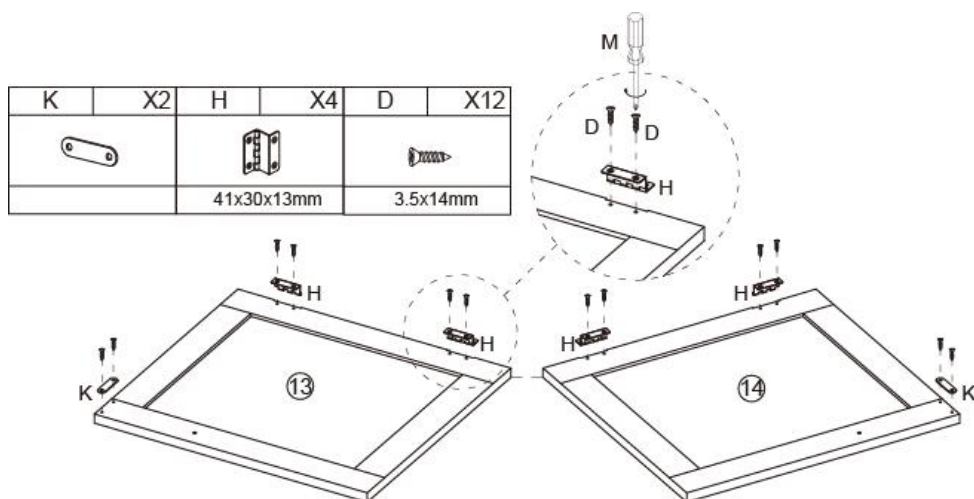
PASSO9



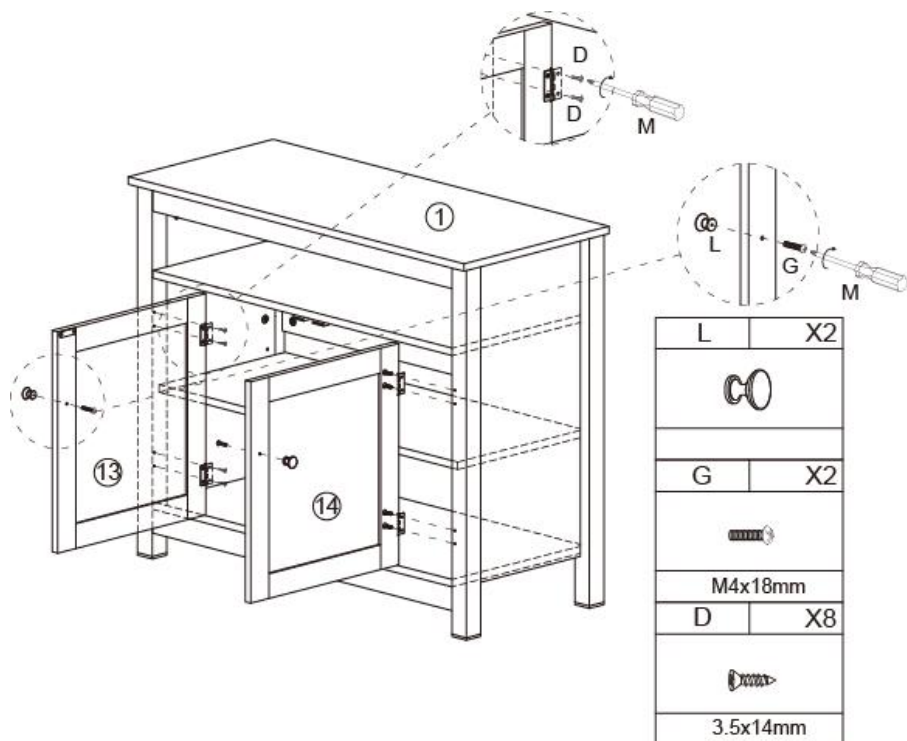
PASSO10



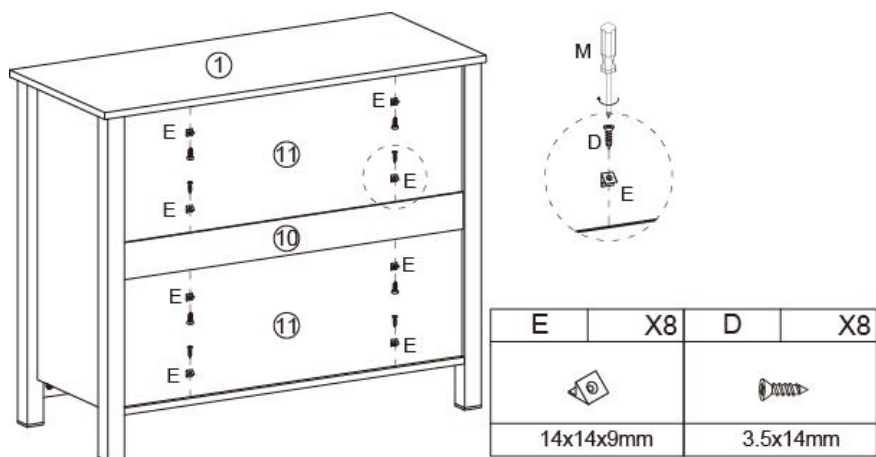
PASSO11



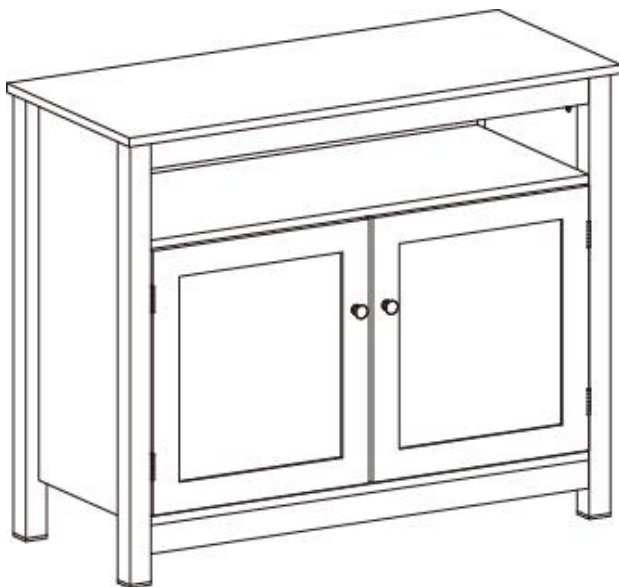
PASSO12



PASSO13



PASSO14



Indirizzo: Baoshanqu Shuangchenglu 803 lungo 11hao 1602A-1609shi
Shangai

Importato in AUS: SIHAO PTY LTD, 1 ROKEVASTREETEASTWOOD
NSW 2122Australia

Importato negli Stati Uniti: VEVOR STORE INC, 9448 RINCHMOND PL
#E
RANCHO CUCAMONGA, California, 91730 Stati Uniti d'America

UK	REP
-----------	------------

Pooledas Group Ltd
Unit 5 Albert Edward House, The Pavilions
Preston, United Kingdom

EC	REP
-----------	------------

SHUNSHUN GmbH
Römeräcker 9 Z2021, 76351
Linkenheim-Hochstetten, Germany

Made in China

VEVOR[®]

TOUGH TOOLS, HALF PRICE

Tecnico Supporto e certificato di garanzia elettronica

www.vevor.com/support

VEVOR[®]

TOUGH TOOLS, HALF PRICE

Técnico Soporte y certificado de garantía electrónica www.vevor.com/support

ESCALA DE ENVÍO

MODELO:GSSU-FTS014

We continue to be committed to provide you tools with competitive price.

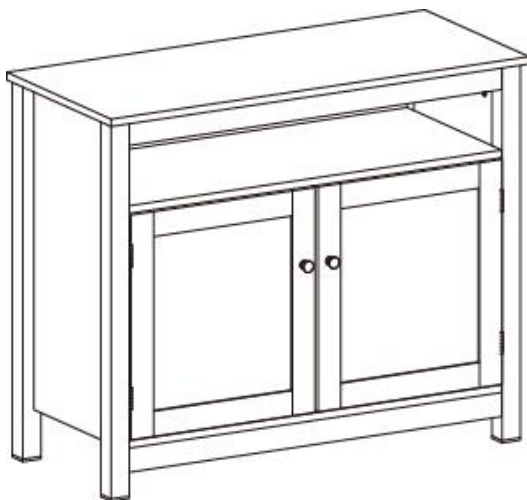
"Save Half", "Half Price" or any other similar expressions used by us only represents an estimate of savings you might benefit from buying certain tools with us compared to the major top brands and does not necessarily mean to cover all categories of tools offered by us. You are kindly reminded to verify carefully when you are placing an order with us if you are actually saving half in comparison with the top major brands.

VEVOR®

TOUGH TOOLS, HALF PRICE

SHIPPING SCALE

MODELO:GSSU-FTS014






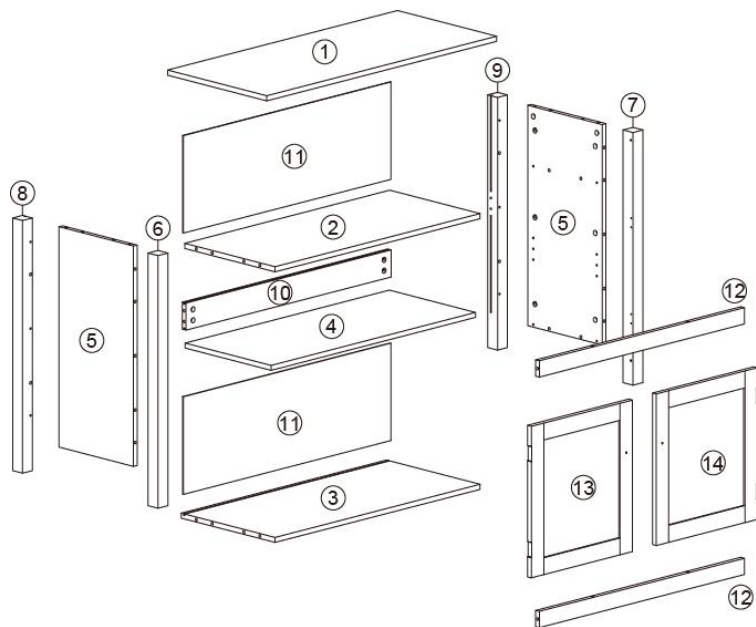
NEED HELP? CONTACT US!















Have product questions? Need technical support? Please feel free to contact us:

Technical Support and E-Warranty Certificate
www.vevor.com/support

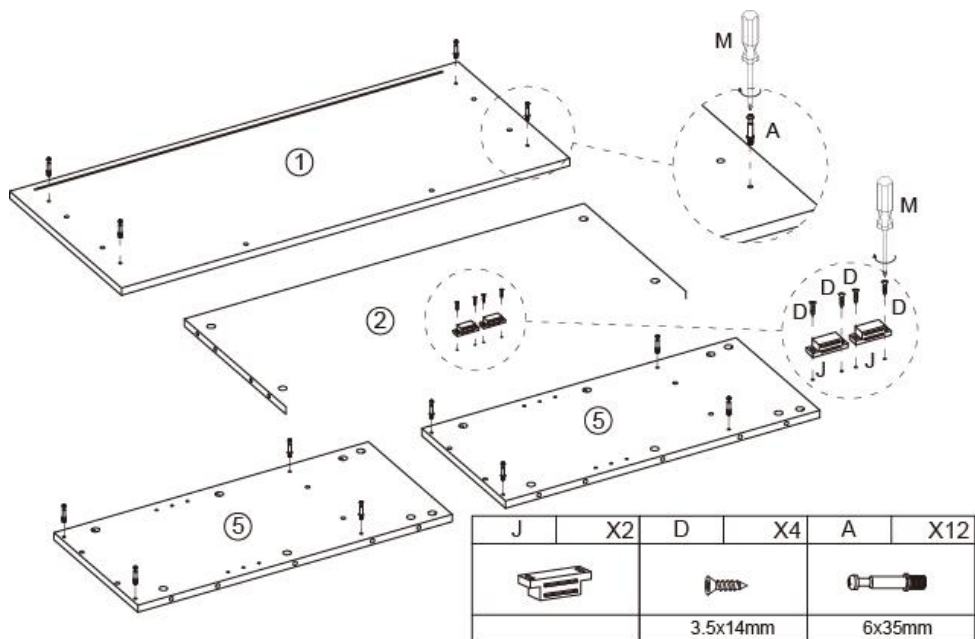
This is the original instruction, please read all manual instructions carefully before operating. VEVOR reserves a clear interpretation of our user manual. The appearance of the product shall be subject to the product you received. Please forgive us that we won't inform you again if there are any technology or software updates on our product.

	<p>Advertencia: para reducir el riesgo de lesiones, el usuario debe leer atentamente el manual de instrucciones.</p>
	<p>Este dispositivo cumple con la Parte 15 de las normas de la FCC. El funcionamiento está sujeto a las dos condiciones siguientes: (1) Este dispositivo no puede causar interferencias dañinas y (2) este dispositivo debe aceptar cualquier interferencia recibida, incluidas las interferencias que puedan causar un funcionamiento no deseado.</p>
	<p>Este producto está sujeto a las disposiciones de la Directiva Europea 2012/19/CE. El símbolo que muestra un contenedor con ruedas tachado indica que el producto requiere recogida selectiva de basura en la Unión Europea. Esto se aplica al producto y a todos los accesorios marcados con este símbolo. Los productos marcados como tales no podrán desecharse con la basura doméstica normal, sino que deberán llevarse a un punto de recogida para el reciclaje de aparatos eléctricos y electrónicos.</p>





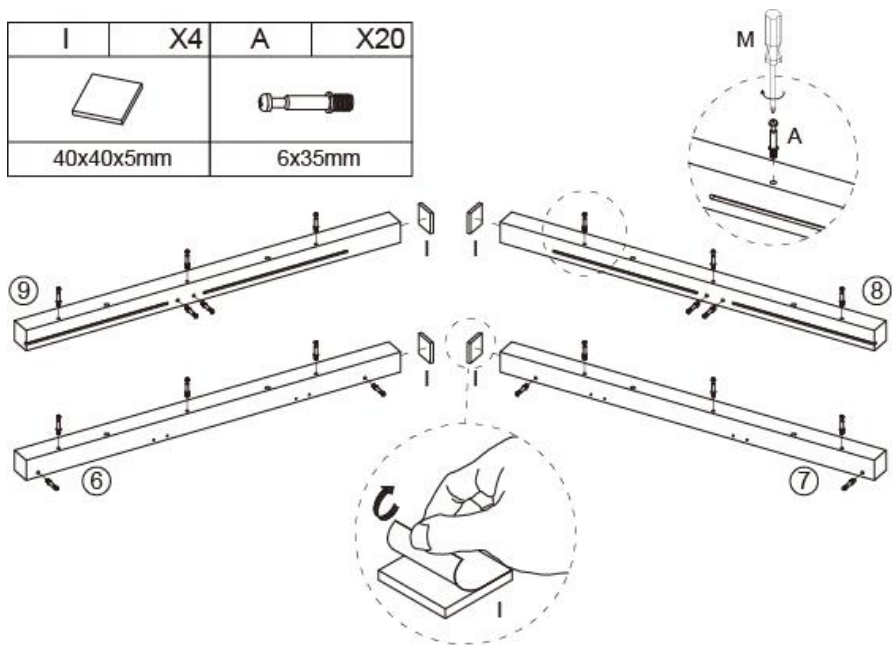
A	X32	B	X32	C	X24	D	X32	E	X8
									
6x35mm		15x12mm		8! 30mm		3.5x14mm		14x14x9mm	
F	X4	G	X2	H	X4	I	X4	J	X2
									
5x13mm		M4x18mm		41x30x13mm		40x40x5mm			
K	X2	L	X2	M	X1	O	X1		
									
						M4			

PASO 1

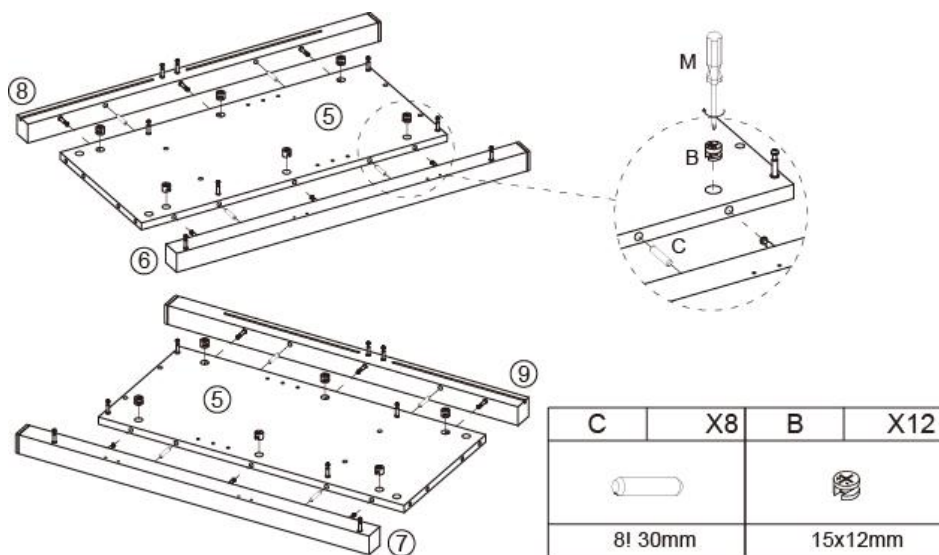



PASO 2

I	X4	A	X20
			
40x40x5mm		6x35mm	

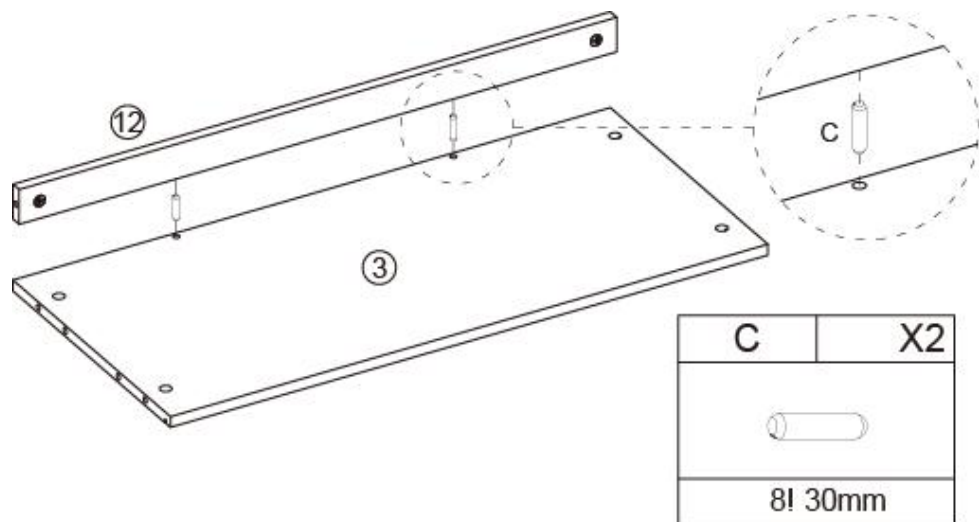


PASO 3

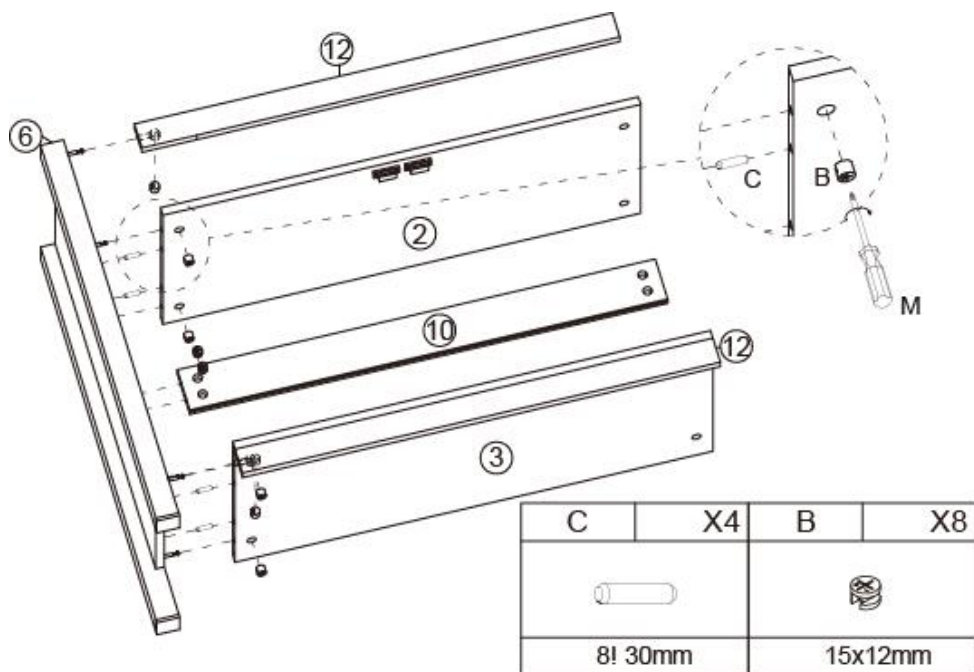


C	X8	B	X12
			
8! 30mm		15x12mm	

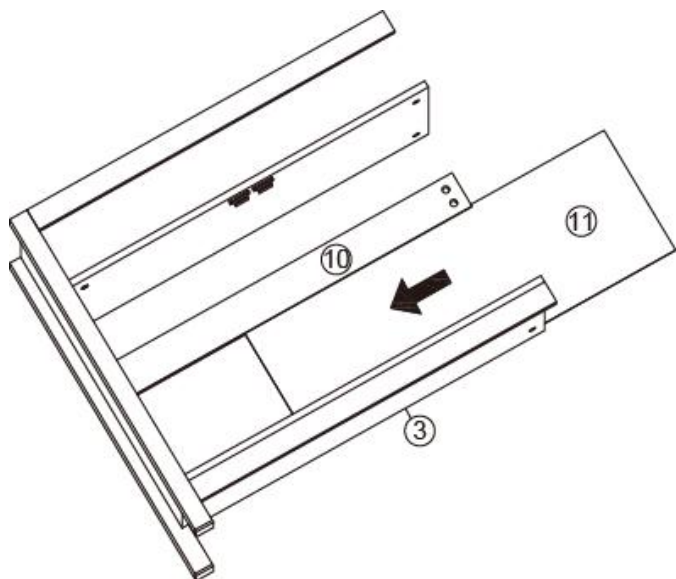
ETAPA 4



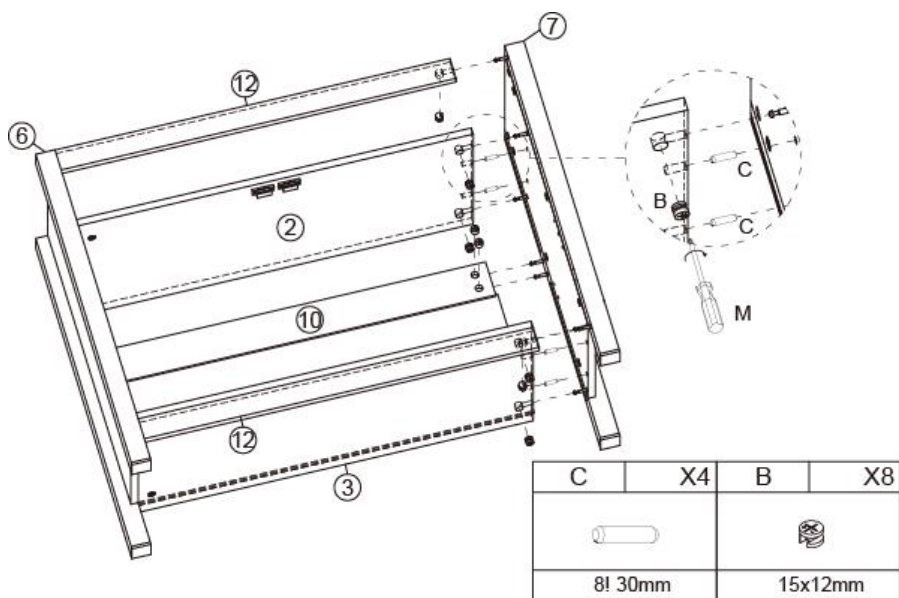
PASO 5



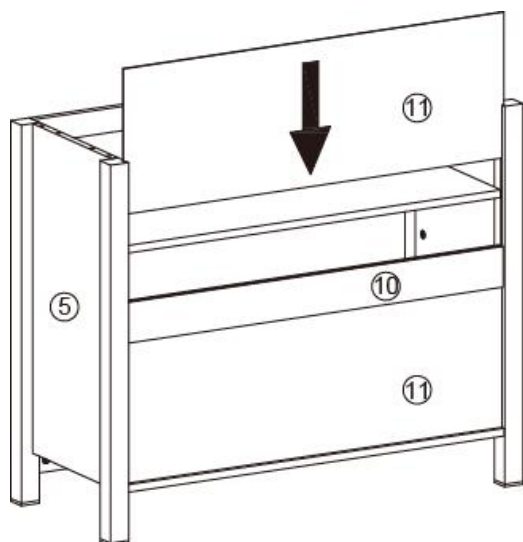
PASO 6



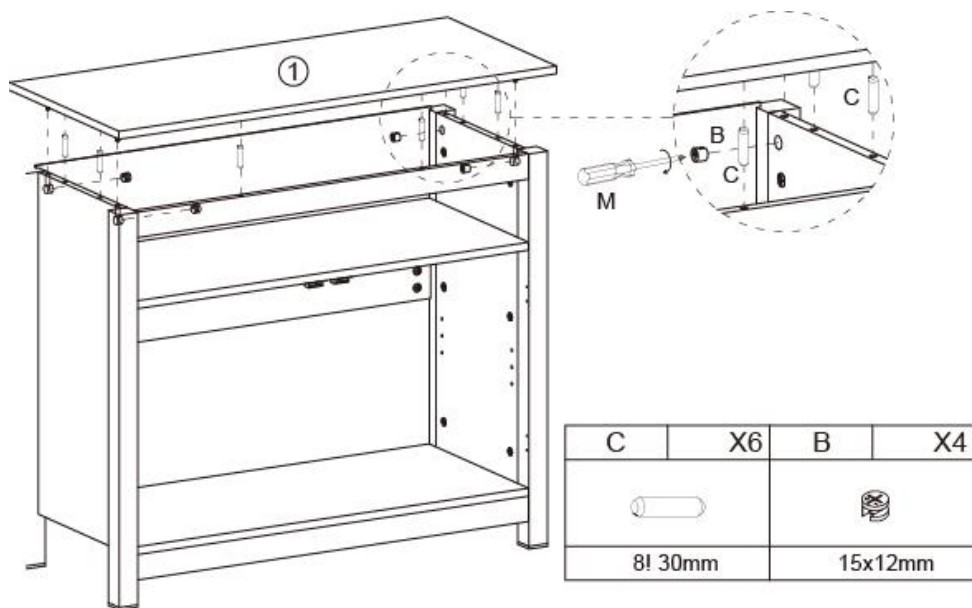
PASO 7



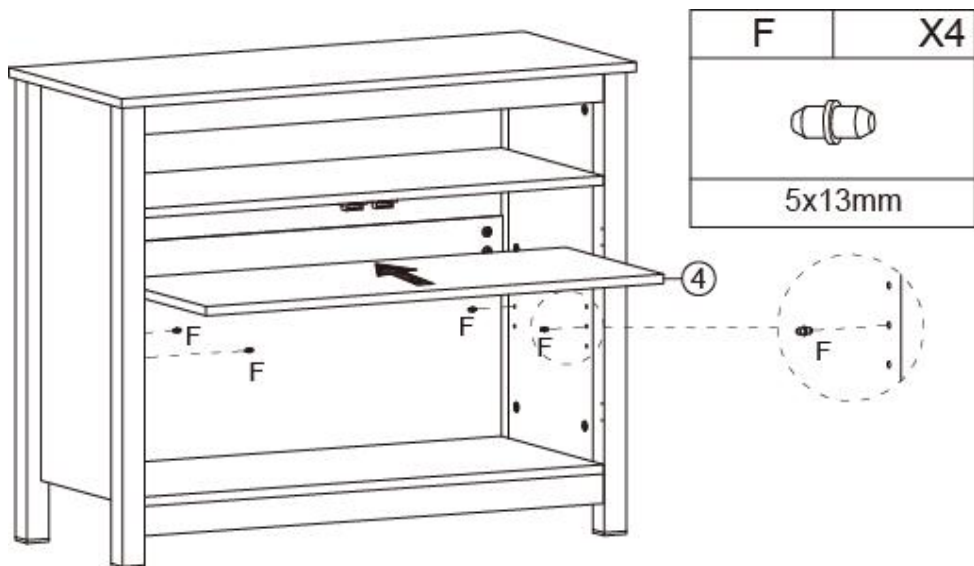
PASO8



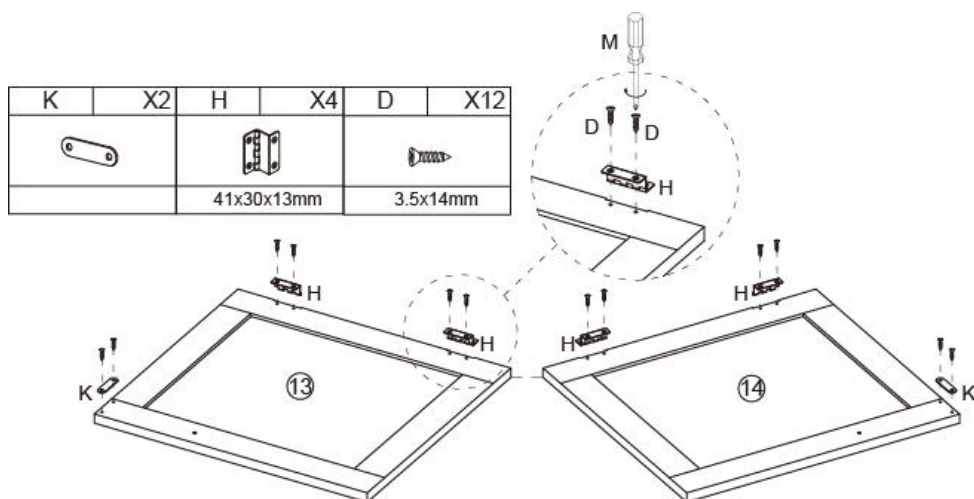
PASO 9



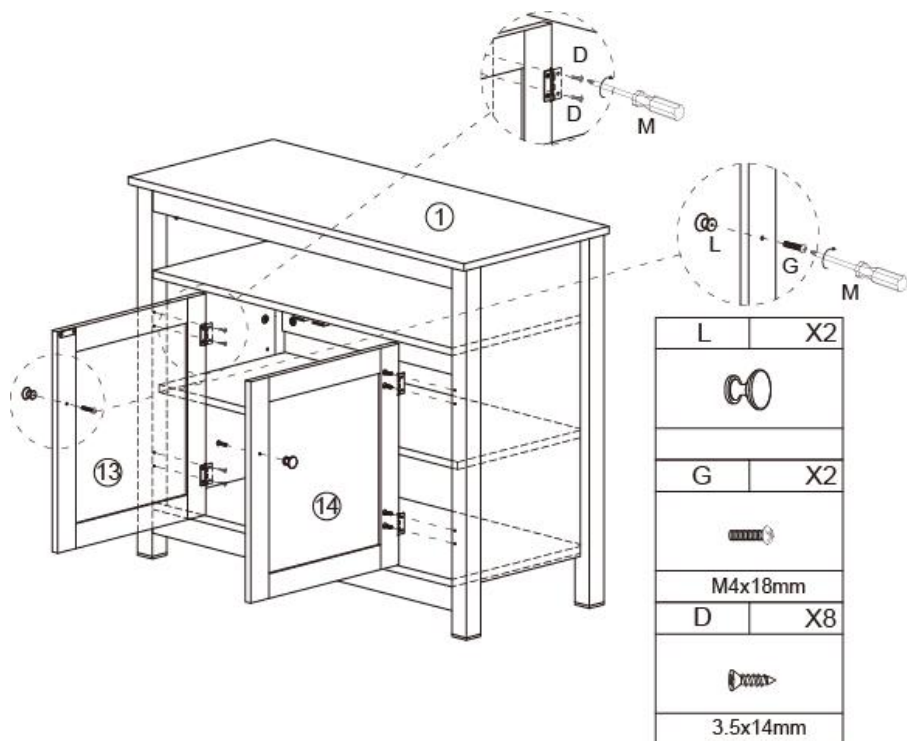
PASO 10



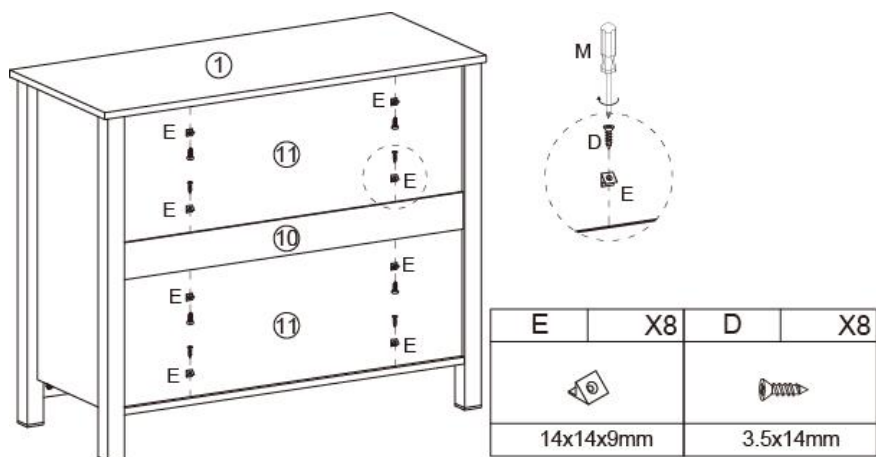
PASO 11



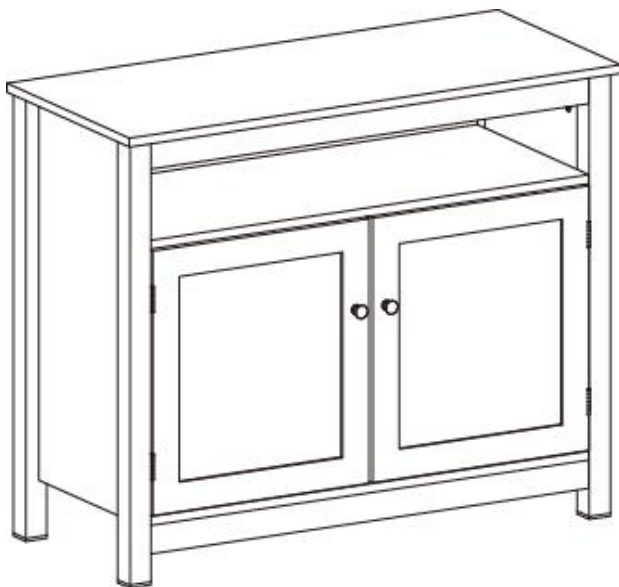
PASO 12



PASO 13



PASO 14



DIRECCIÓN: Baoshanqu Shuangchenglu 803 largo 11hao 1602A-1609shi
Llevar a la fuerza

Importado a AUS: SIHAO PTY LTD, 1 ROKEVASTREETEASTWOOD
Nueva Gales del Sur 2122Australia

Importado a EE. UU.: VEVOR STORE INC, 9448 RINCHMOND PL #E
RANCHO CUCAMONGA, California, 91730 Estados Unidos de América

UK	REP
-----------	------------

Pooledas Group Ltd
Unit 5 Albert Edward House, The Pavilions
Preston, United Kingdom

EC	REP
-----------	------------

SHUNSHUN GmbH
Römeräcker 9 Z2021, 76351
Linkenheim-Hochstetten, Germany

Hecho en china

VEVOR[®]

TOUGH TOOLS, HALF PRICE

Técnico Certificado de soporte y garantía electrónica

www.vevor.com/support

VEVOR[®]

TOUGH TOOLS, HALF PRICE

Techniczny Certyfikat wsparcia i e-gwarancji www.vevor.com/support

SKALA WYSYŁKI

MODEL:GSSU-FTS014

We continue to be committed to provide you tools with competitive price.

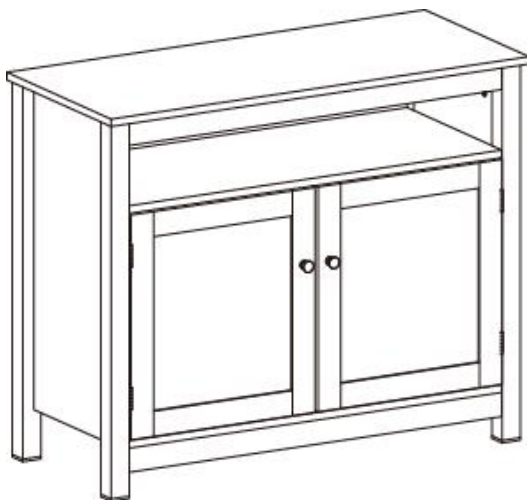
"Save Half", "Half Price" or any other similar expressions used by us only represents an estimate of savings you might benefit from buying certain tools with us compared to the major top brands and does not necessarily mean to cover all categories of tools offered by us. You are kindly reminded to verify carefully when you are placing an order with us if you are actually saving half in comparison with the top major brands.

VEVOR[®]

TOUGH TOOLS, HALF PRICE

SHIPPING SCALE

MODEL:GSSU-FTS014






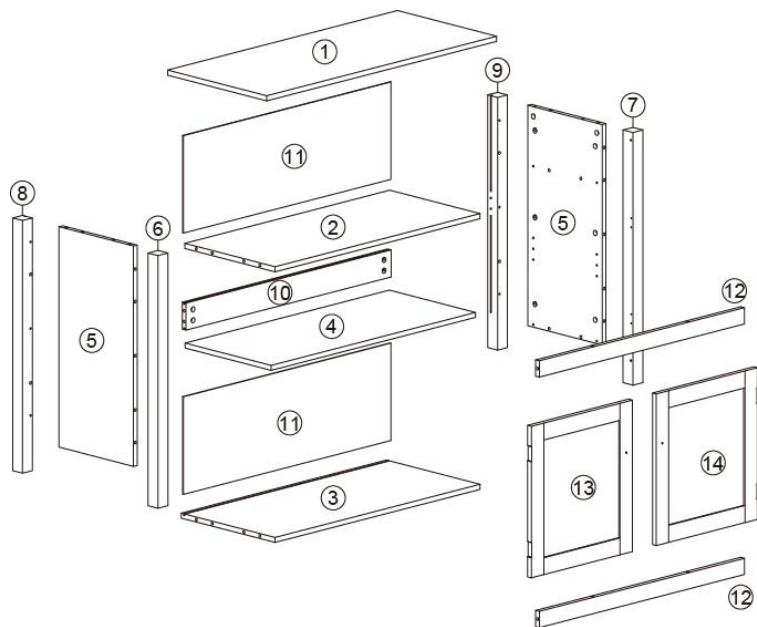
NEED HELP? CONTACT US!















Have product questions? Need technical support? Please feel free to contact us:

Technical Support and E-Warranty Certificate
www.vevor.com/support

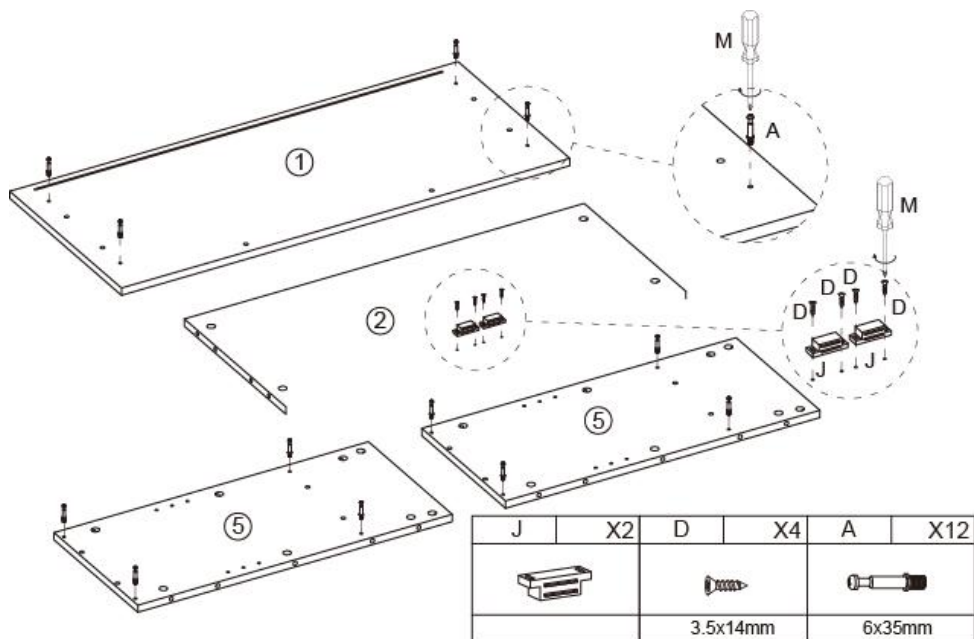
This is the original instruction, please read all manual instructions carefully before operating. VEVOR reserves a clear interpretation of our user manual. The appearance of the product shall be subject to the product you received. Please forgive us that we won't inform you again if there are any technology or software updates on our product.

	<p>Ostrzeżenie — aby zmniejszyć ryzyko obrażeń, użytkownik musi uważnie przeczytać instrukcję obsługi.</p>
	<p>To urządzenie jest zgodne z częścią 15 przepisów FCC. Działanie podlega następującym dwóm warunkom: (1) to urządzenie nie może powodować szkodliwych zakłóceń oraz (2) to urządzenie musi akceptować wszelkie odbierane zakłócenia, w tym zakłócenia, które mogą powodować niepożądane działanie.</p>
	<p>Ten produkt podlega przepisom Dyrektywy Europejskiej 2012/19/WE. Symbol przekreślonego kosza na śmieci oznacza, że produkt wymaga selektywnej zbiórki śmieci na terenie Unii Europejskiej. Dotyczy to produktu i wszystkich akcesoriów oznaczonych tym symbolem. Produktów oznaczonych jako takie nie można wyrzucać razem ze zwykłymi odpadami domowymi, lecz należy je oddać do punktu zbiórki w celu recyklingu urządzeń elektrycznych i elektronicznych</p>





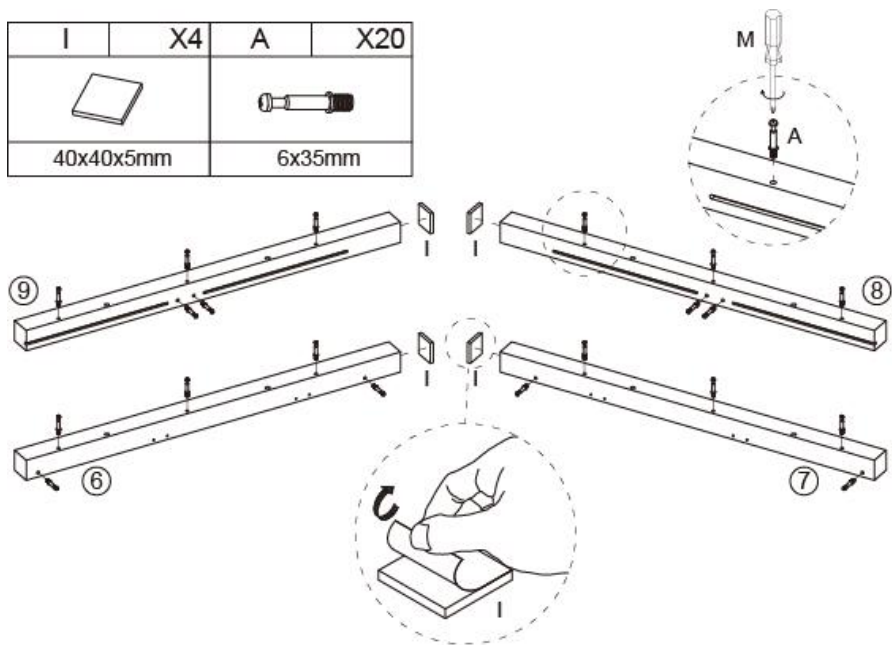
A	X32	B	X32	C	X24	D	X32	E	X8
									
6x35mm		15x12mm		8! 30mm		3.5x14mm		14x14x9mm	
F	X4	G	X2	H	X4	I	X4	J	X2
									
5x13mm		M4x18mm		41x30x13mm		40x40x5mm			
K	X2	L	X2	M	X1	O	X1		
									
						M4			

KROK 1

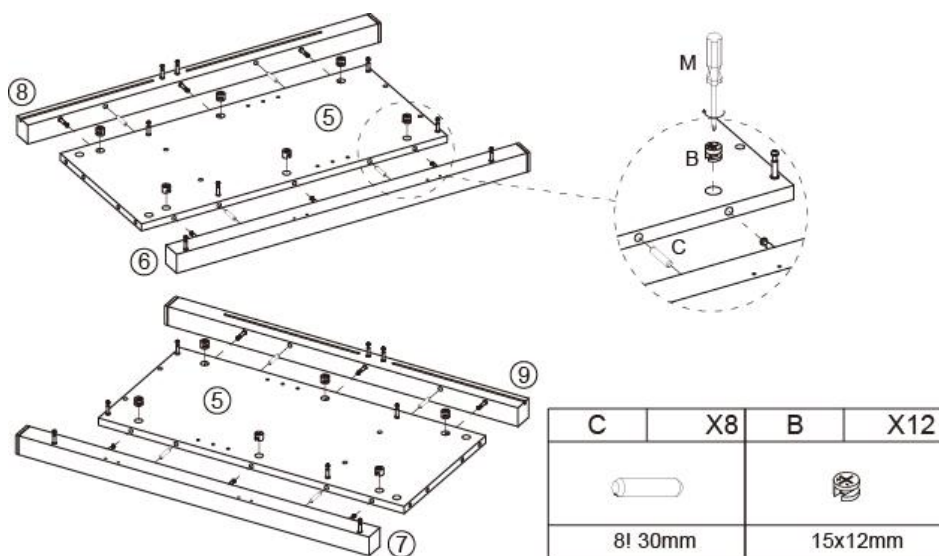




KROK 2

I	X4	A	X20
			
40x40x5mm		6x35mm	

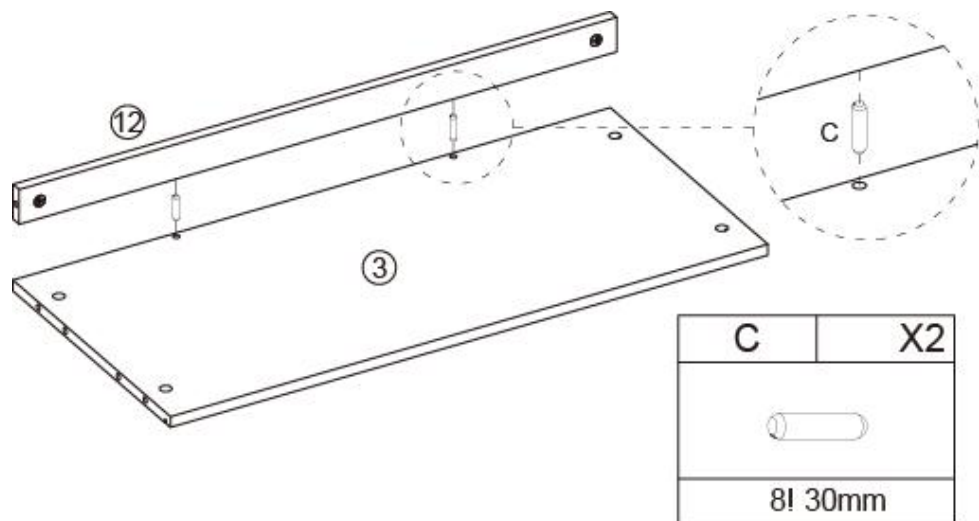


KROK 3

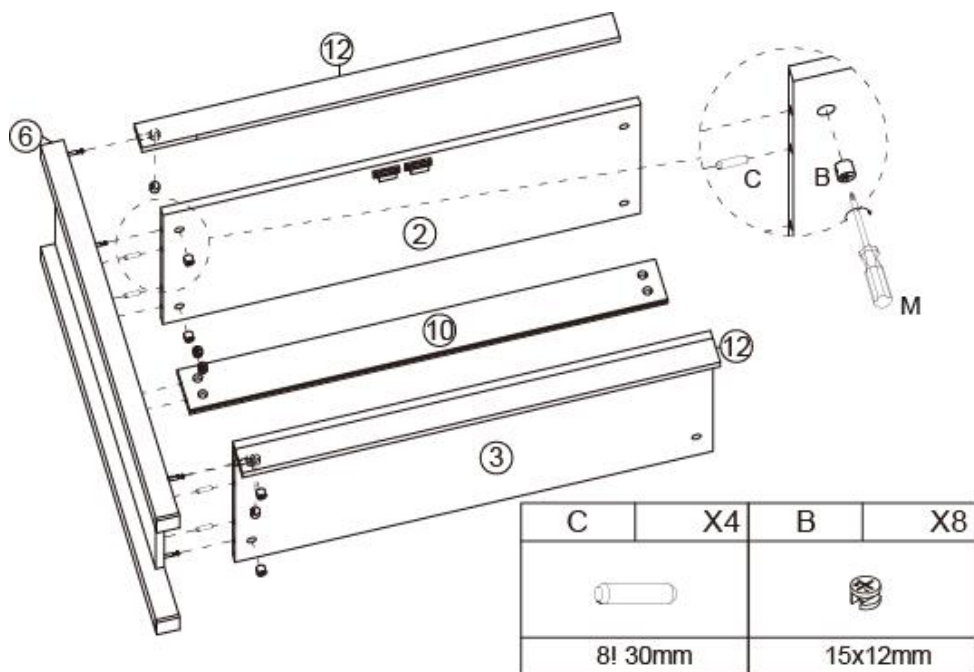


C	X8	B	X12
			
8! 30mm		15x12mm	

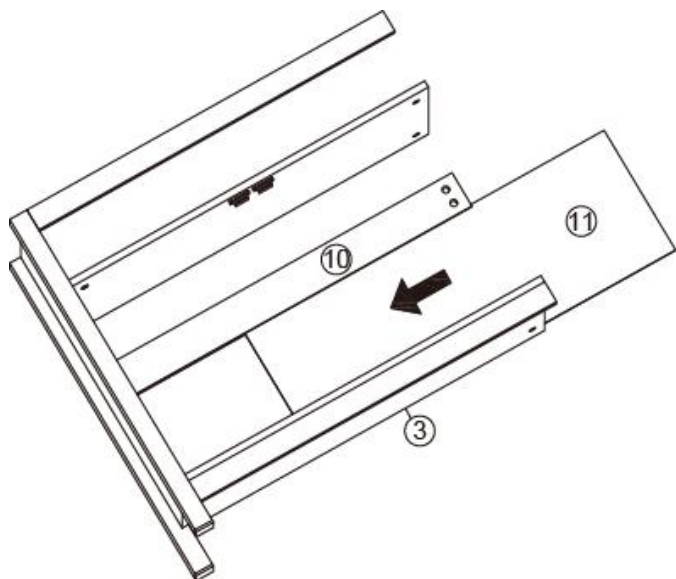
KROK 4



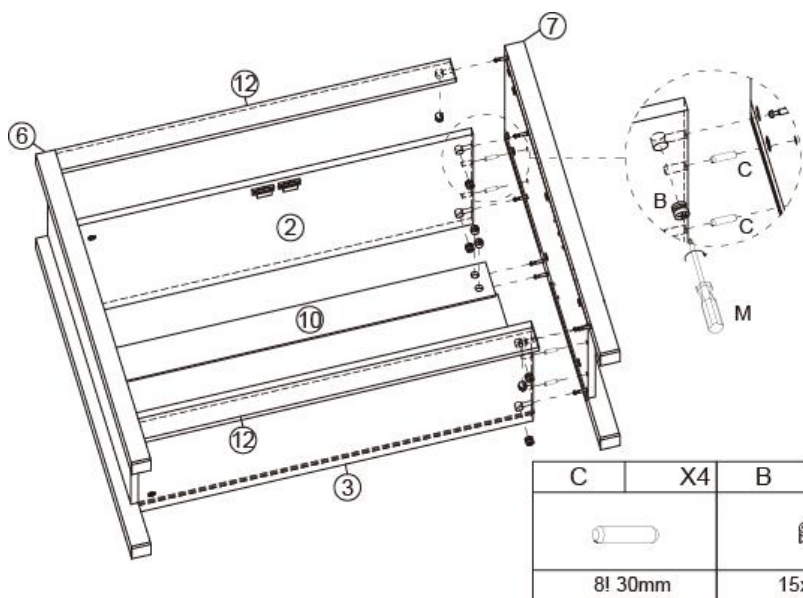
KROK 5



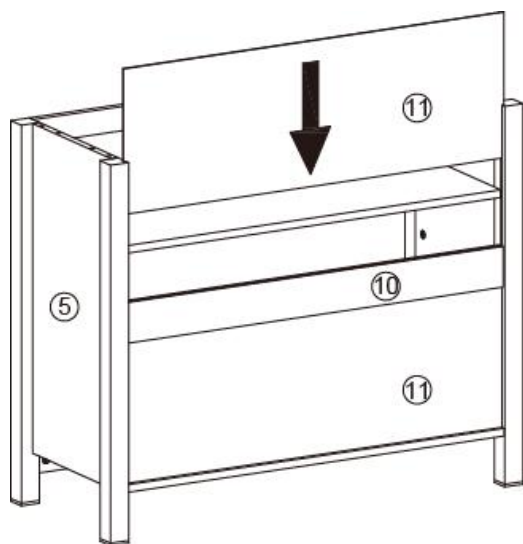
KROK 6



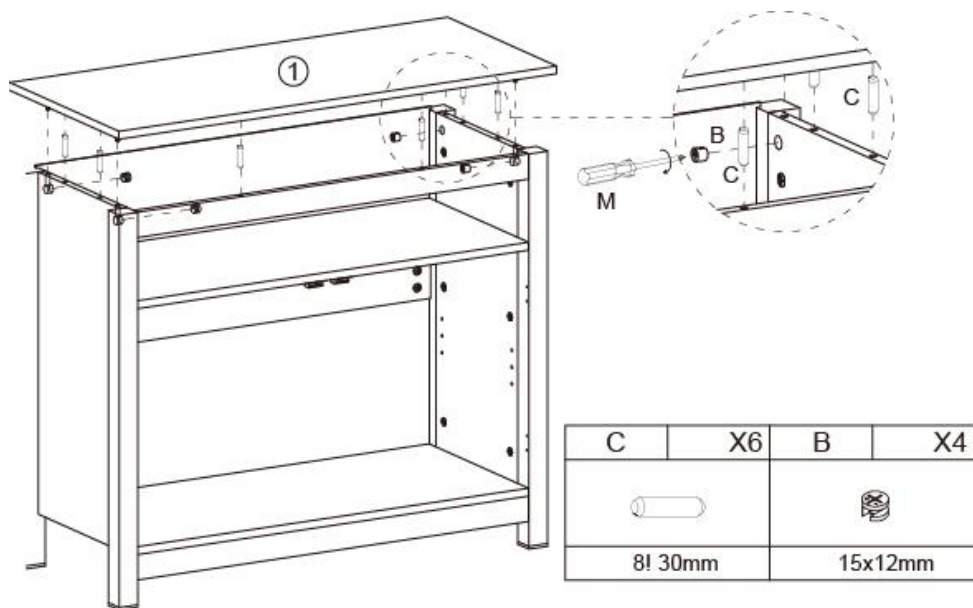
KROK 7



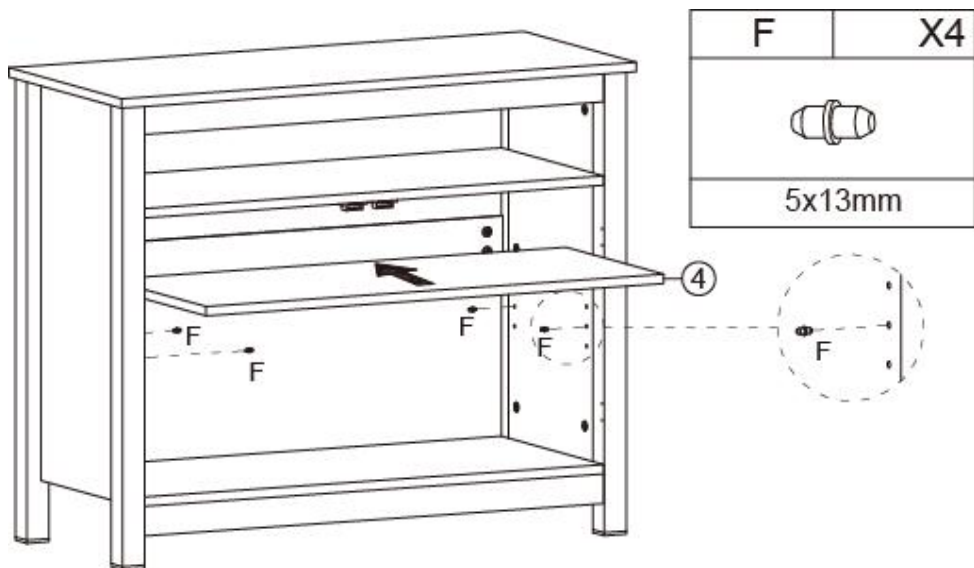
KROK 8



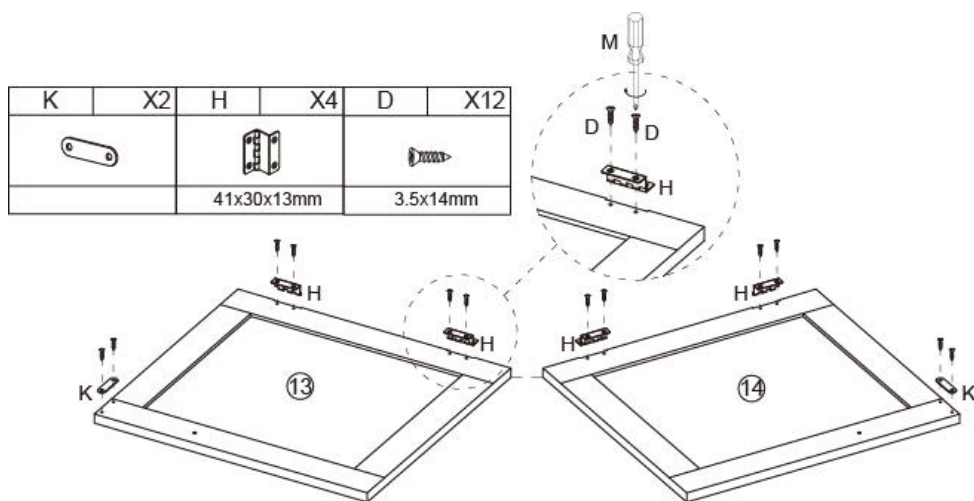
KROK 9



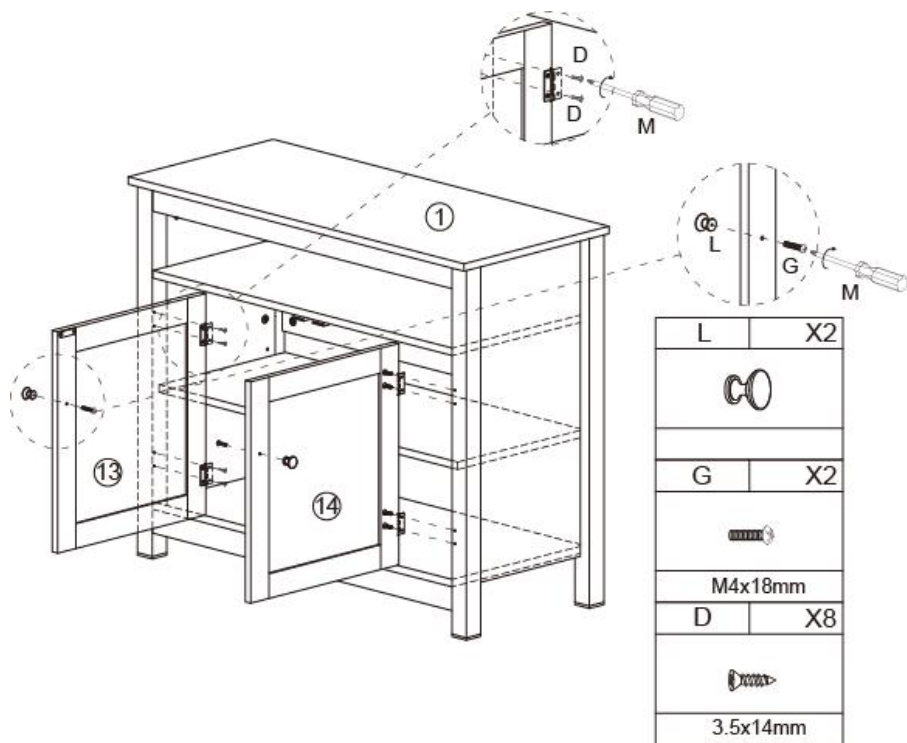
KROK 10



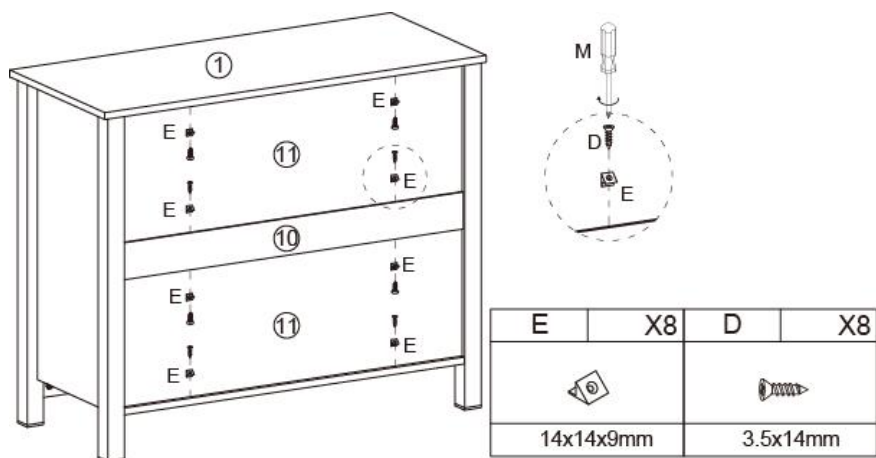
KROK 11



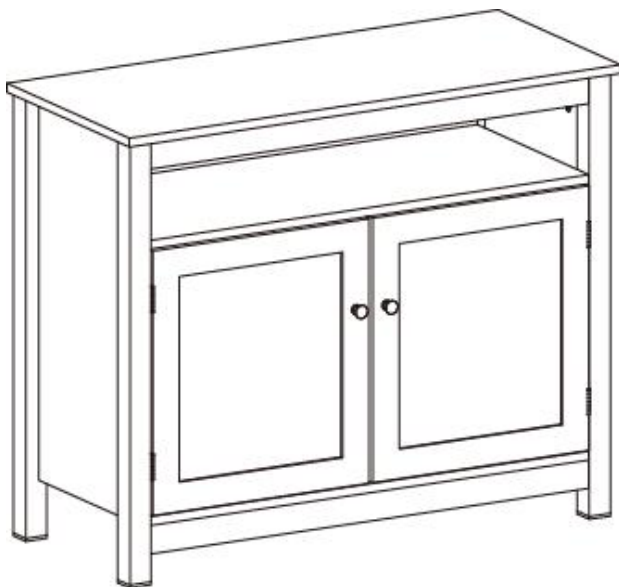
KROK 12



KROK 13



KROK 14



Adres: Baoshanqu Shuangchenglu 803long 11hao 1602A-1609shi
Szanghaj

Zaimportowano do AUS: SIHAO PTY LTD, 1
ROKEVASTREETEASTWOOD
NSW 2122Australia

Import do USA: VEVOR STORE INC, 9448 RINCHMOND PL #E
RANCHO CUCAMONGA, Kalifornia, 91730 Stany Zjednoczone Ameryki



Pooledas Group Ltd
Unit 5 Albert Edward House, The Pavilions
Preston, United Kingdom



SHUNSHUN GmbH
Römeräcker 9 Z2021, 76351
Linkenheim-Hochstetten, Germany

Wyprodukowano w Chinach

VEVOR[®]

TOUGH TOOLS, HALF PRICE

Techniczny Certyfikat wsparcia i e-gwarancji

www.vevor.com/support

VEVOR[®]

TOUGH TOOLS, HALF PRICE

Technisch Ondersteuning en e-garantiecertificaat www.vevor.com/support

VERZENDSCHAAL

MODEL:GSSU-FTS014

We continue to be committed to provide you tools with competitive price.

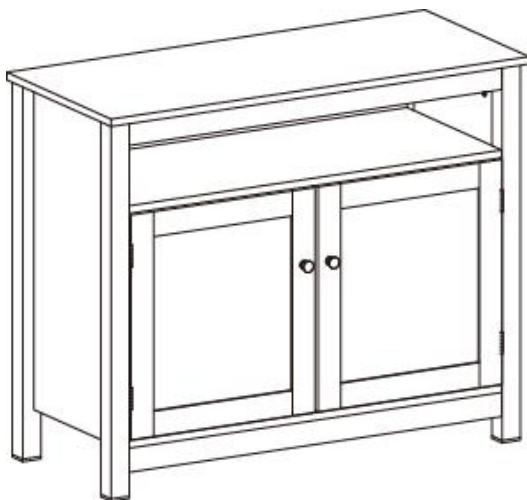
"Save Half", "Half Price" or any other similar expressions used by us only represents an estimate of savings you might benefit from buying certain tools with us compared to the major top brands and does not necessarily mean to cover all categories of tools offered by us. You are kindly reminded to verify carefully when you are placing an order with us if you are actually saving half in comparison with the top major brands.

VEVOR[®]

TOUGH TOOLS, HALF PRICE

SHIPPING SCALE

MODEL:GSSU-FTS014






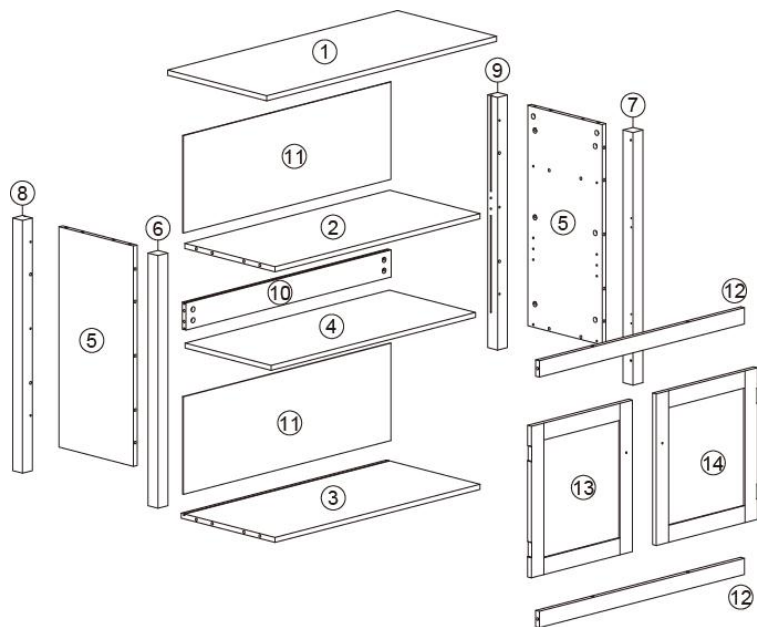
NEED HELP? CONTACT US!















Have product questions? Need technical support? Please feel free to contact us:

Technical Support and E-Warranty Certificate
www.vevor.com/support

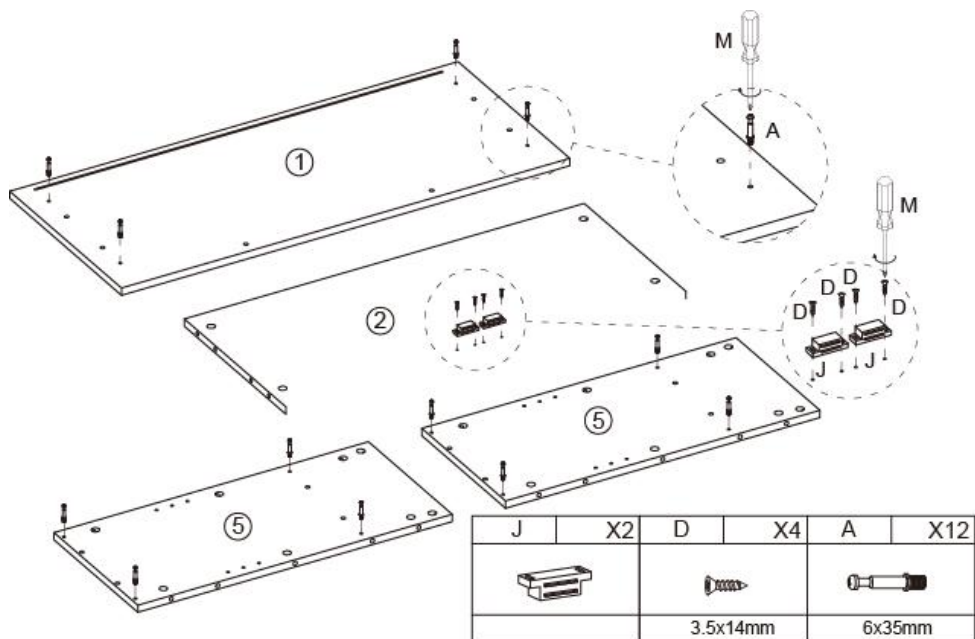
This is the original instruction, please read all manual instructions carefully before operating. VEVOR reserves a clear interpretation of our user manual. The appearance of the product shall be subject to the product you received. Please forgive us that we won't inform you again if there are any technology or software updates on our product.

	<p>Waarschuwing-Om het risico op letsel te verminderen, moet de gebruiker de handleiding zorgvuldig lezen.</p>
	<p>Dit apparaat voldoet aan Deel 15 van de FCC-regels. Het gebruik is onderworpen aan de volgende twee voorwaarden: (1) Dit apparaat mag geen schadelijke interferentie veroorzaken, en (2) dit apparaat moet alle ontvangen interferentie accepteren, inclusief interferentie die een ongewenste werking kan veroorzaken.</p>
	<p>Dit product valt onder de bepalingen van de Europese richtlijn 2012/19/EG. Het symbool met een doorgestreepte afvalcontainer geeft aan dat het product in de Europese Unie een aparte afvalinzameling vereist. Dit geldt voor het product en alle accessoires die met dit symbool zijn gemarkeerd. Producten die als zodanig gemarkeerd zijn, mogen niet met het normale huisvuil worden weggegooid, maar moeten naar een inzamelpunt voor recycling van elektrische en elektronische apparaten worden gebracht</p>





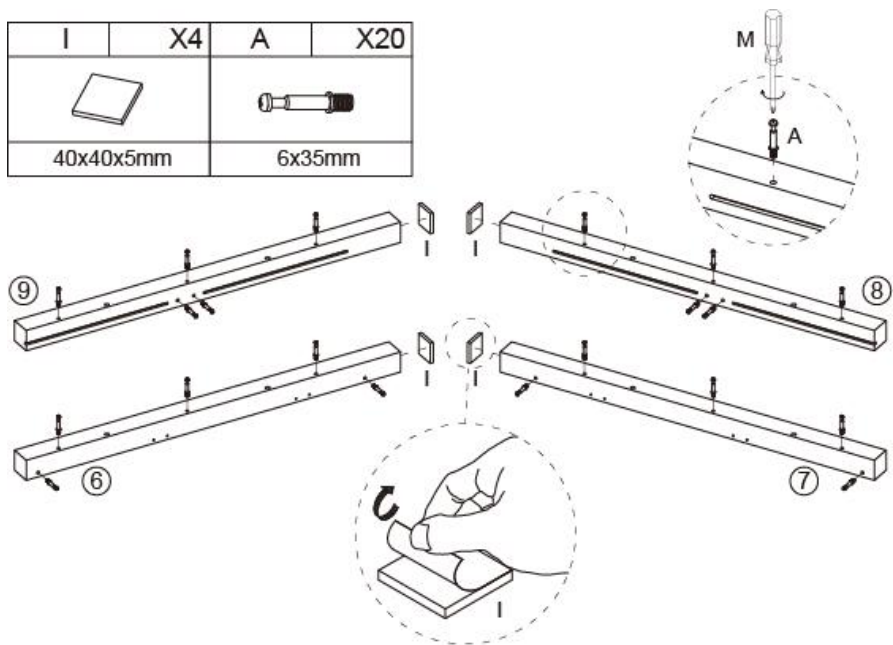
A	X32	B	X32	C	X24	D	X32	E	X8
									
6x35mm		15x12mm		8! 30mm		3.5x14mm		14x14x9mm	
F	X4	G	X2	H	X4	I	X4	J	X2
									
5x13mm		M4x18mm		41x30x13mm		40x40x5mm			
K	X2	L	X2	M	X1	O	X1		
									
						M4			

STAP 1

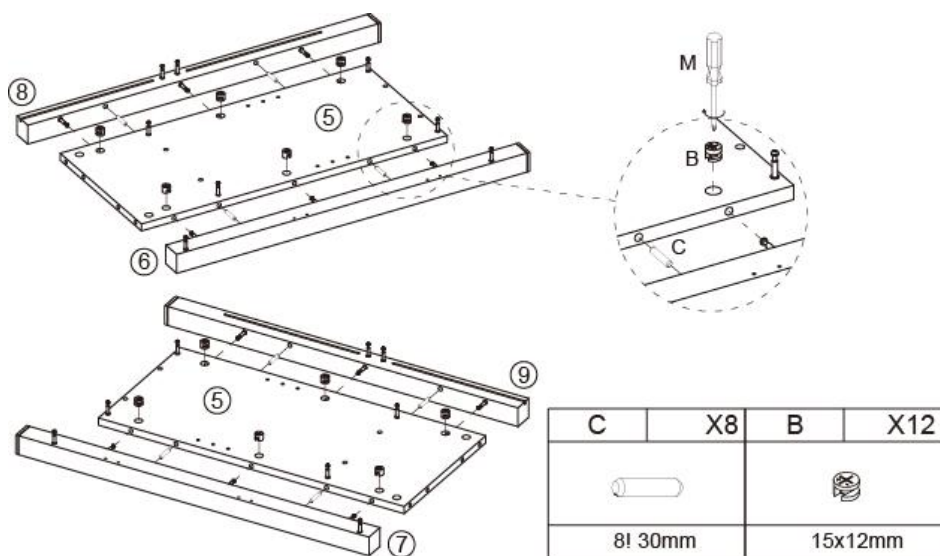




STAP 2

I	X4	A	X20
			
40x40x5mm		6x35mm	

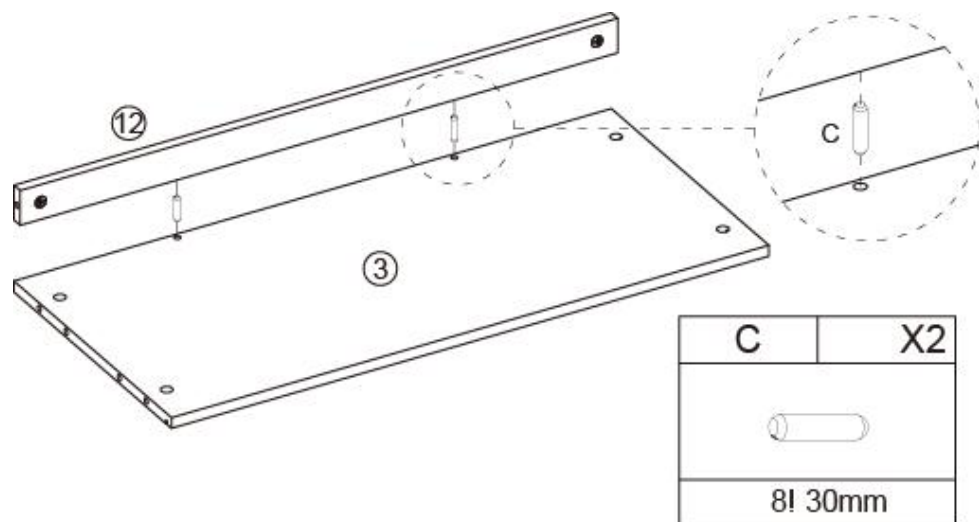


STAP 3

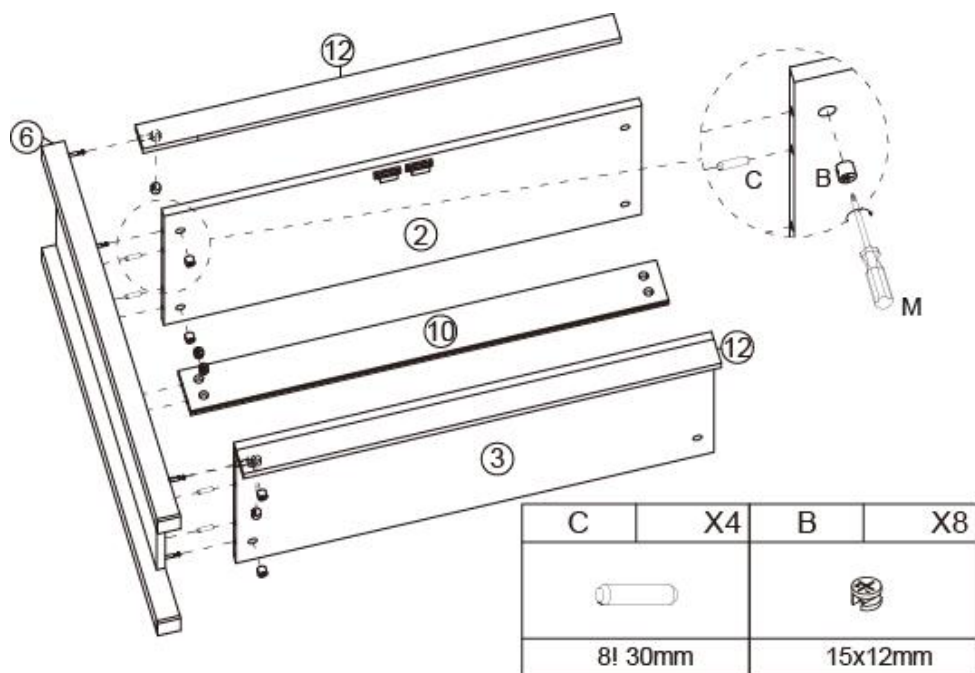


C	X8	B	X12
			
8! 30mm		15x12mm	

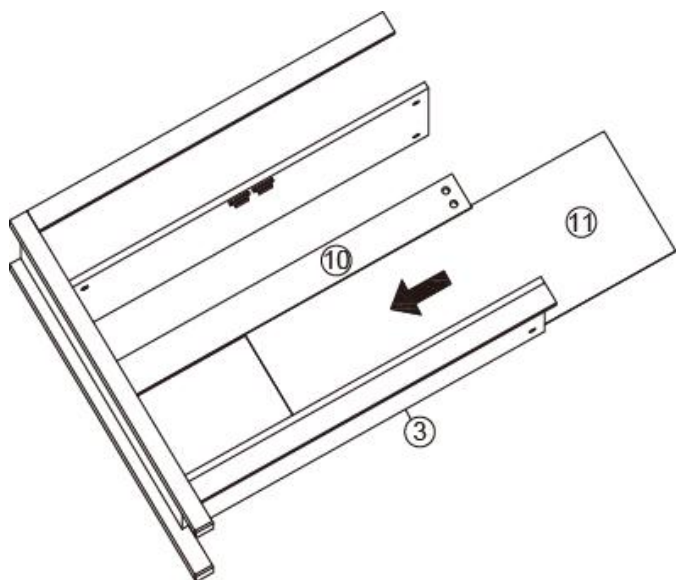
STAP 4



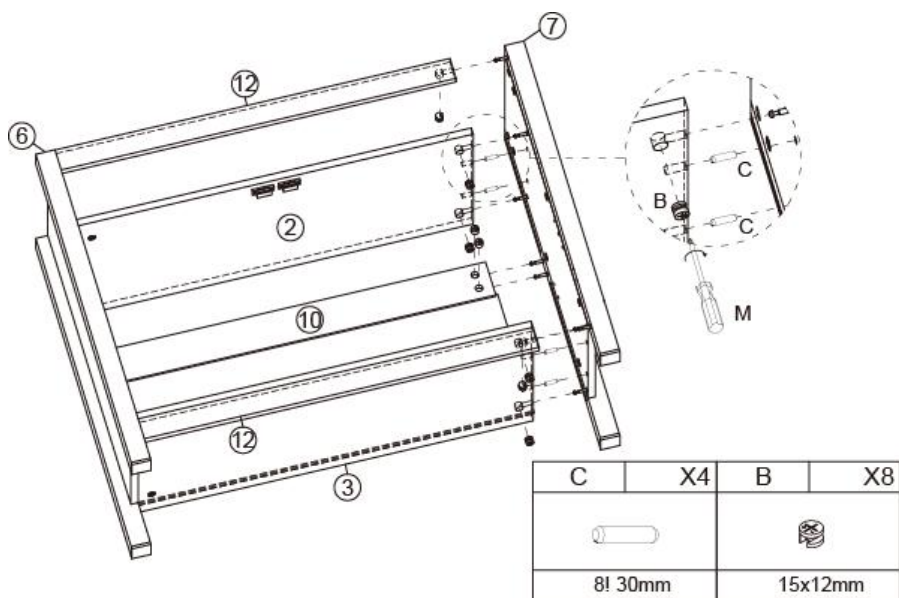
STAP 5



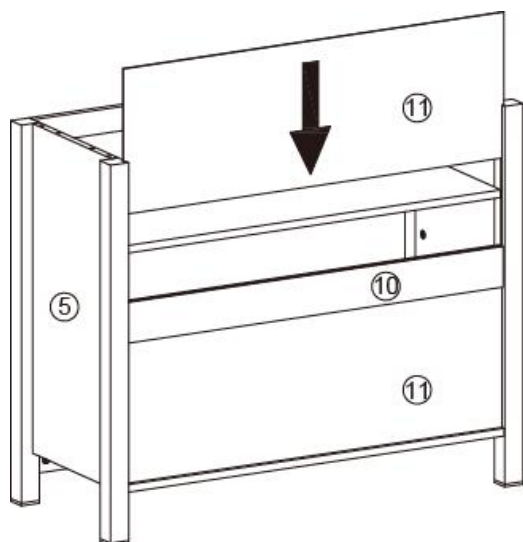
STAP 6



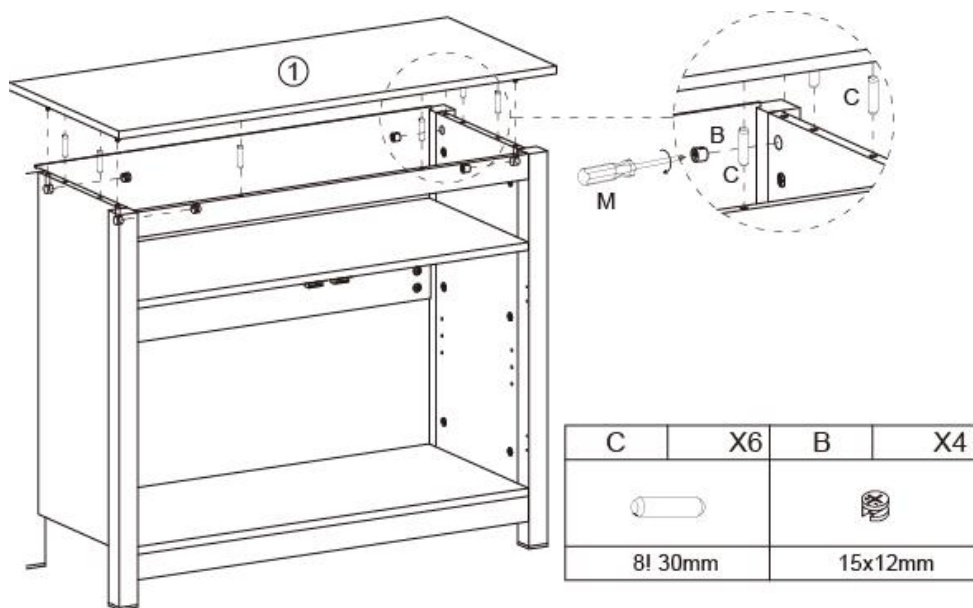
STAP 7



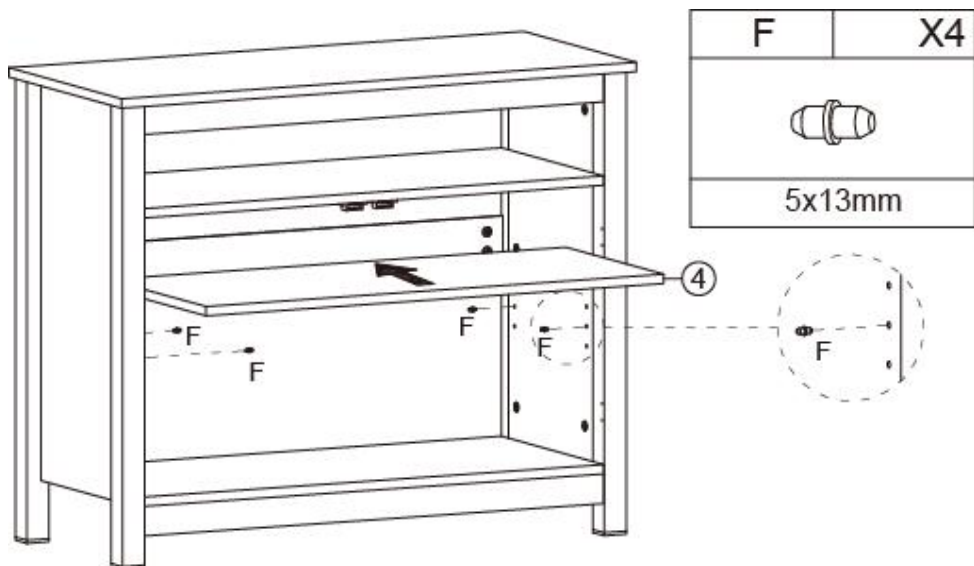
STAP 8



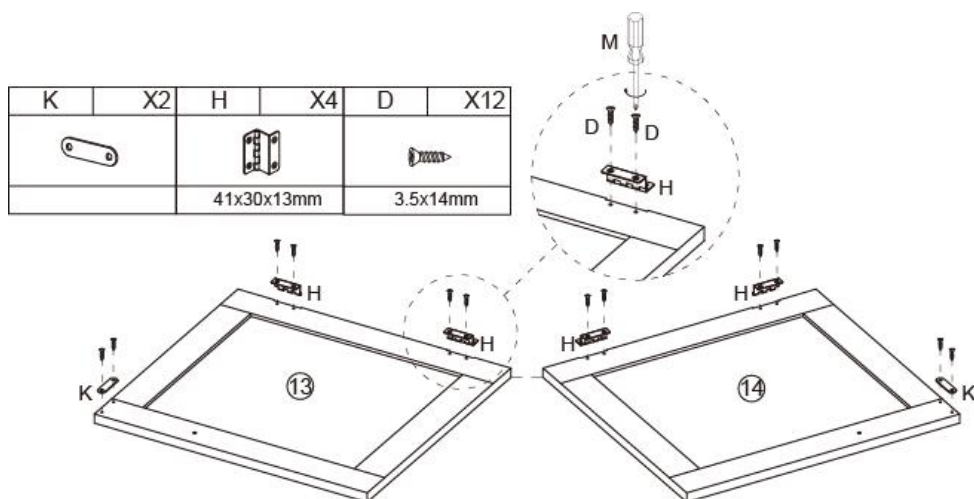
STAP 9



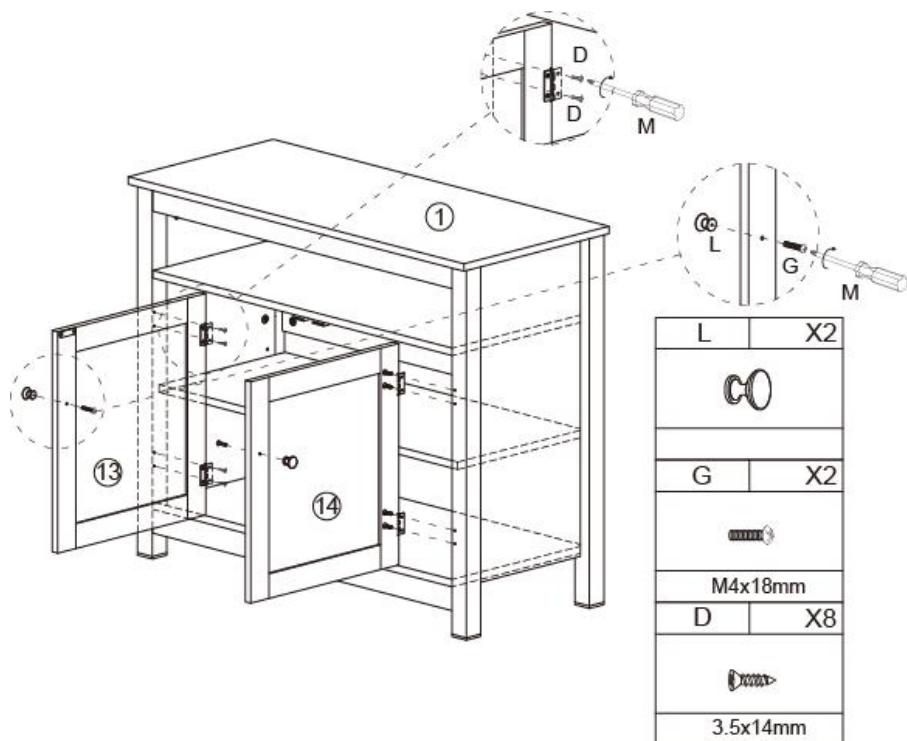
STAP 10



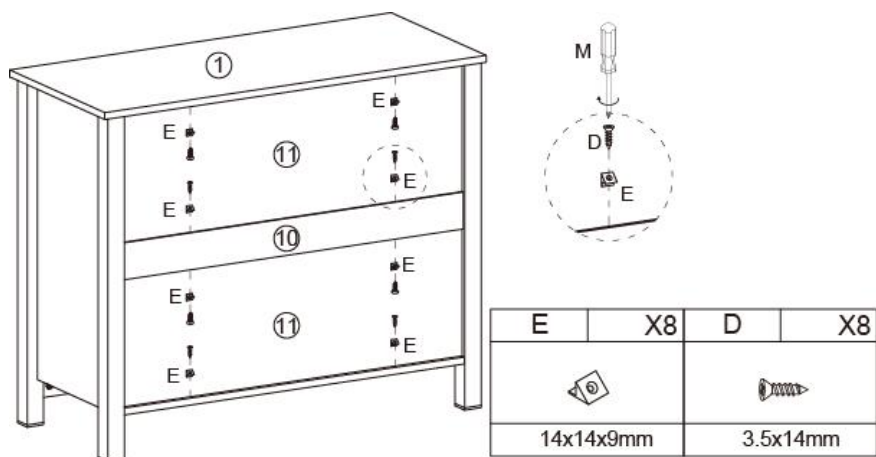
STAP 11



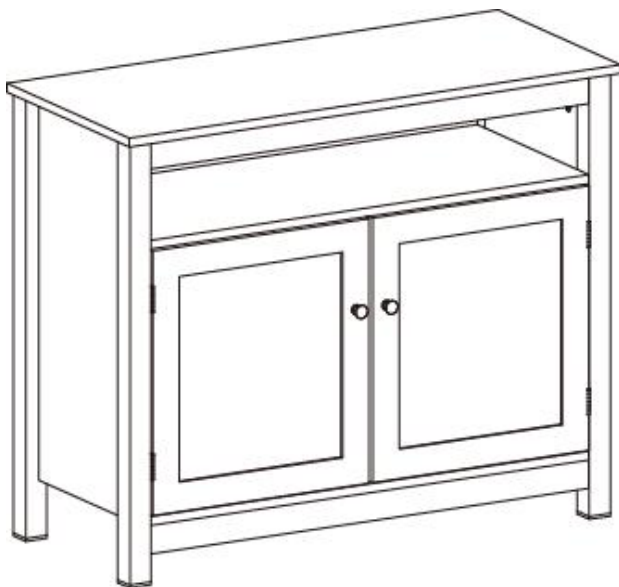
STAP 12



STAP 13



STAP 14



Adres: Baoshanqu Shuangchenglu 803long 11hao 1602A-1609shi
Sjanghai

Geïmporteerd naar AUS: SIHAO PTY LTD, 1
ROKEVASTREETEASTWOOD
NSW 2122Australië

Geïmporteerd naar de VS: VEVOR STORE INC, 9448 RINCHMOND PL
#E
RANCHO CUCAMONGA, Californië, 91730 Verenigde Staten van Amerika



Pooledas Group Ltd
Unit 5 Albert Edward House, The Pavilions
Preston, United Kingdom



SHUNSHUN GmbH
Römeräcker 9 Z2021, 76351
Linkenheim-Hochstetten, Germany

Gemaakt in China

VEVOR[®]

TOUGH TOOLS, HALF PRICE

Technisch Ondersteuning en e-garantiecertificaat

www.vevor.com/support

VEVOR[®]

TOUGH TOOLS, HALF PRICE

Teknisk Support och e-garanticertifikat www.vevor.com/support

FRAKTSKALA

MODELL: GSSU-FTS014

We continue to be committed to provide you tools with competitive price.

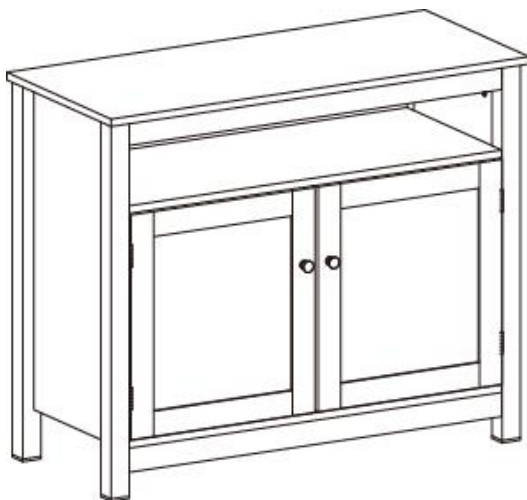
"Save Half", "Half Price" or any other similar expressions used by us only represents an estimate of savings you might benefit from buying certain tools with us compared to the major top brands and does not necessarily mean to cover all categories of tools offered by us. You are kindly reminded to verify carefully when you are placing an order with us if you are actually saving half in comparison with the top major brands.

VEVOR®

TOUGH TOOLS, HALF PRICE

SHIPPING SCALE

MODELL: GSSU-FTS014



NEED HELP? CONTACT US!

Have product questions? Need technical support? Please feel free to contact us:

Technical Support and E-Warranty Certificate
www.vevor.com/support

This is the original instruction, please read all manual instructions carefully before operating. VEVOR reserves a clear interpretation of our user manual. The appearance of the product shall be subject to the product you received. Please forgive us that we won't inform you again if there are any technology or software updates on our product.



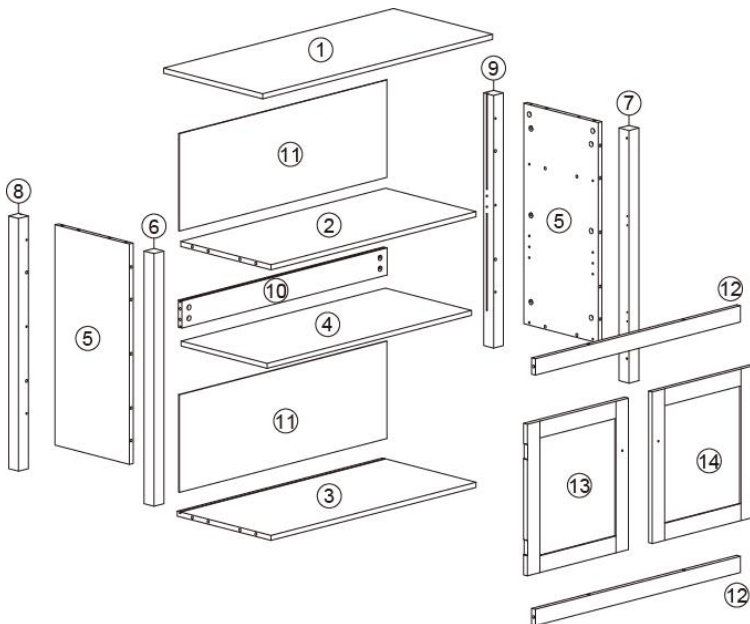
Varning - För att minska risken för skada måste användaren läsa instruktionerna noggrant.

















Denna enhet uppfyller del 15 av FCC-reglerna. Driften är föremål för följande två villkor: (1) Den här enheten får inte orsaka skadliga störningar och (2) den här enheten måste acceptera alla mottagna störningar, inklusive störningar som kan orsaka oönskad funktion.

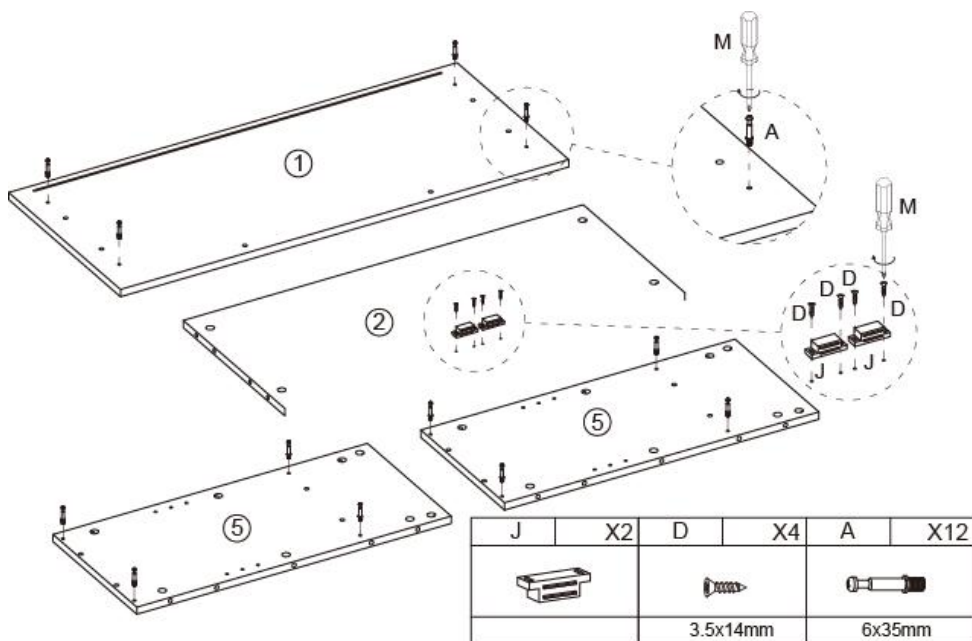


Denna produkt omfattas av bestämmelserna i det europeiska direktivet 2012/19/EC. Symbolen som visar en soptunna korsad anger att produkten kräver separat sophämtning i EU. Detta gäller för produkten och alla tillbehör märkta med denna symbol. Produkter märkta som sådana får inte slängas tillsammans med vanligt hushållsavfall, utan måste lämnas till en insamlingsplats för återvinning av elektriska och elektroniska apparater





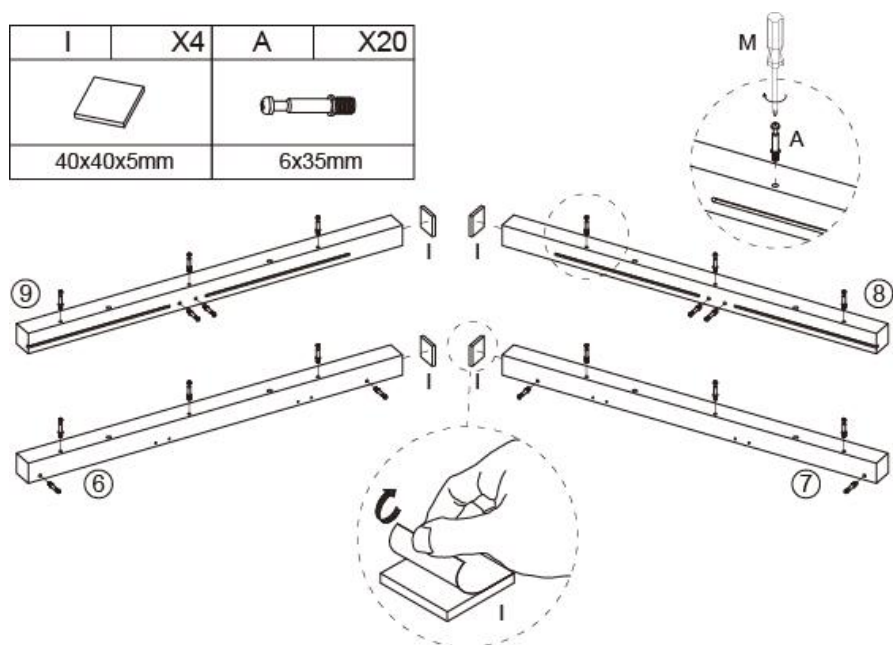
A	X32	B	X32	C	X24	D	X32	E	X8
									
6x35mm		15x12mm		8! 30mm		3.5x14mm		14x14x9mm	
F	X4	G	X2	H	X4	I	X4	J	X2
									
5x13mm		M4x18mm		41x30x13mm		40x40x5mm			
K	X2	L	X2	M	X1	O	X1		
									
						M4			

STEG 1

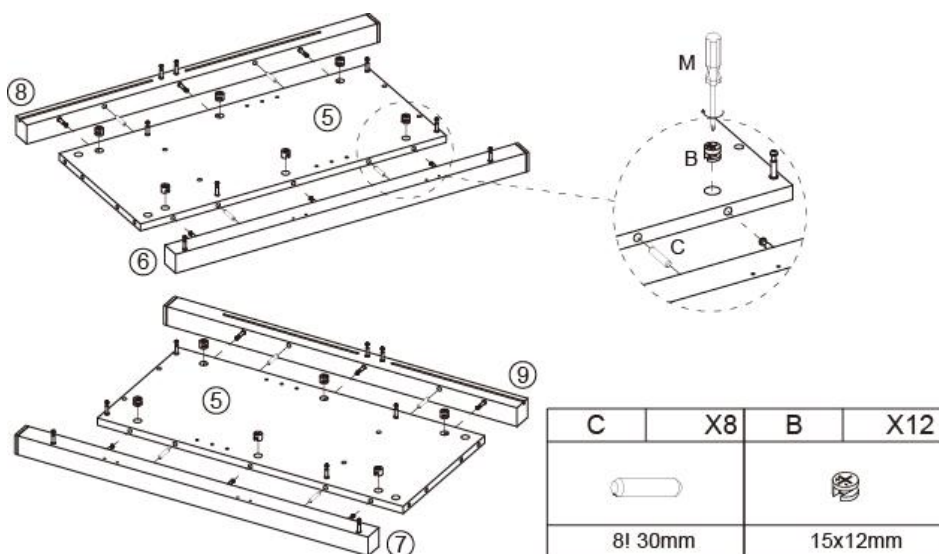




STEP 2

I	X4	A	X20
			
40x40x5mm		6x35mm	

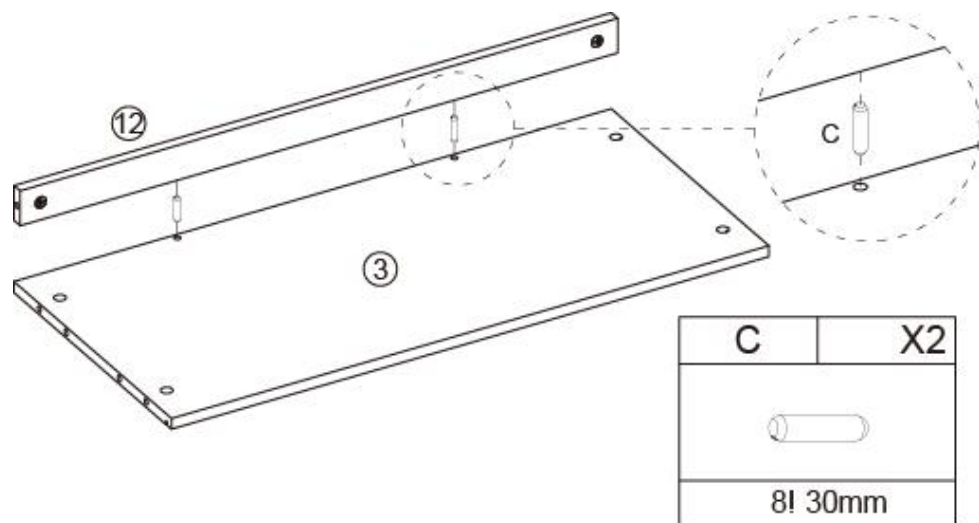


STEP 3

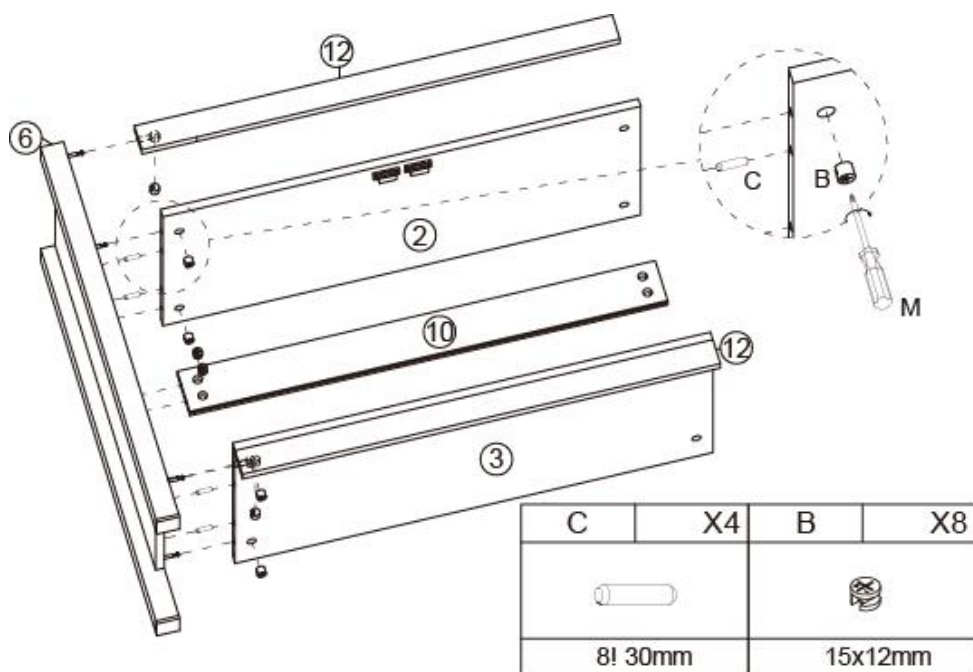


C	X8	B	X12
			
8! 30mm		15x12mm	

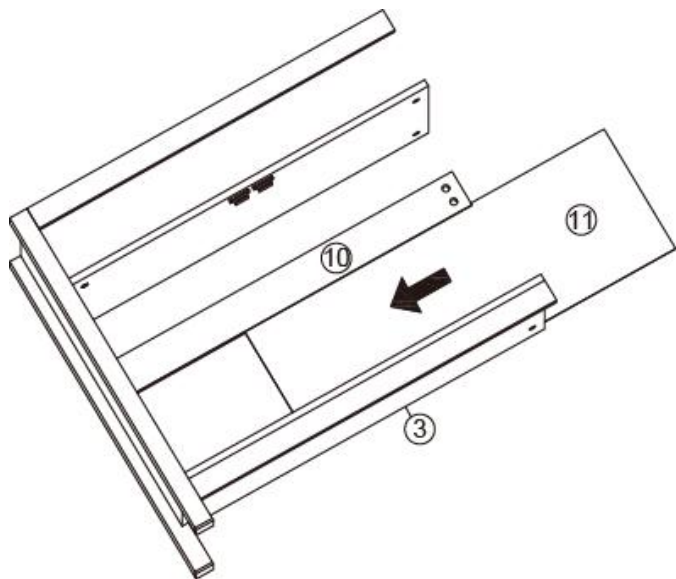
STEG 4



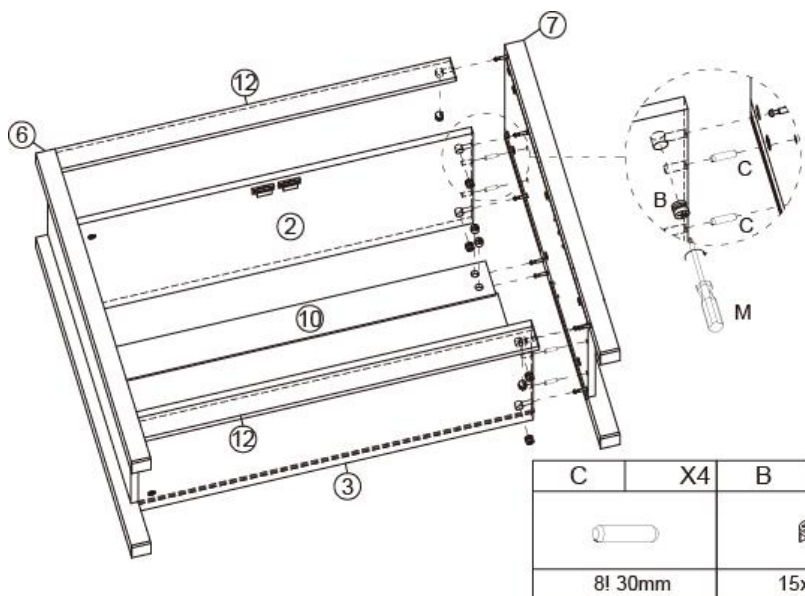
STEG 5



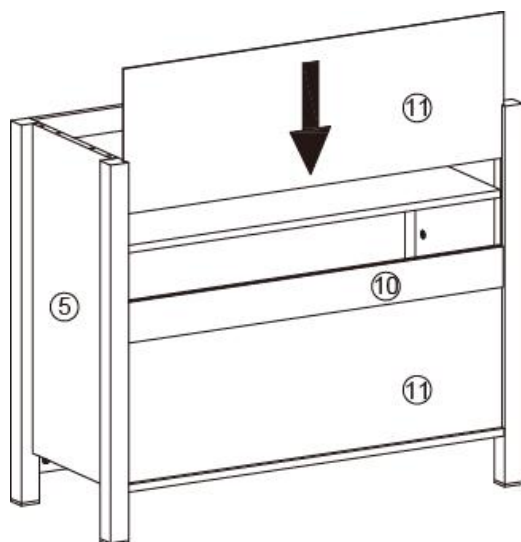
STEG 6



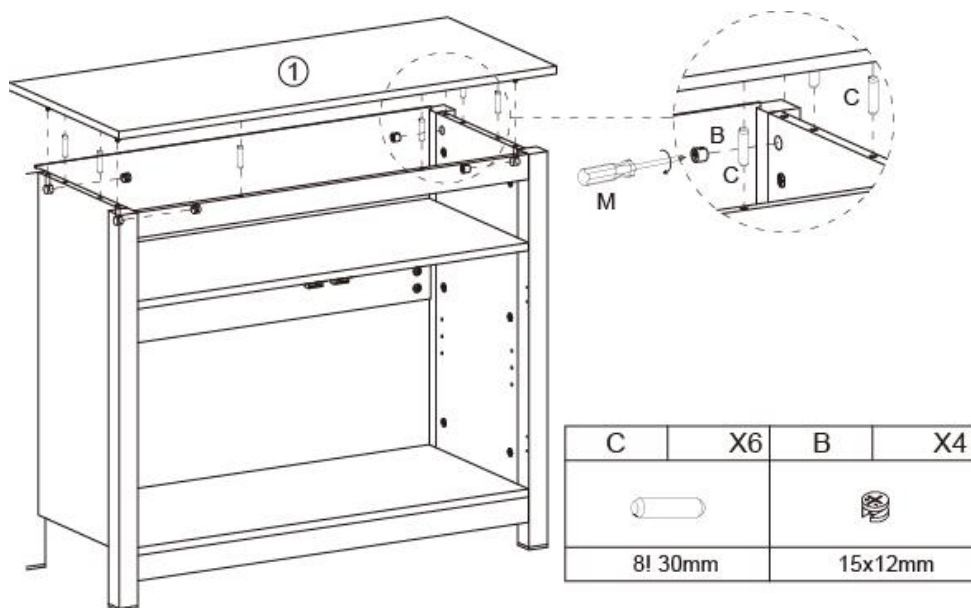
STEG 7



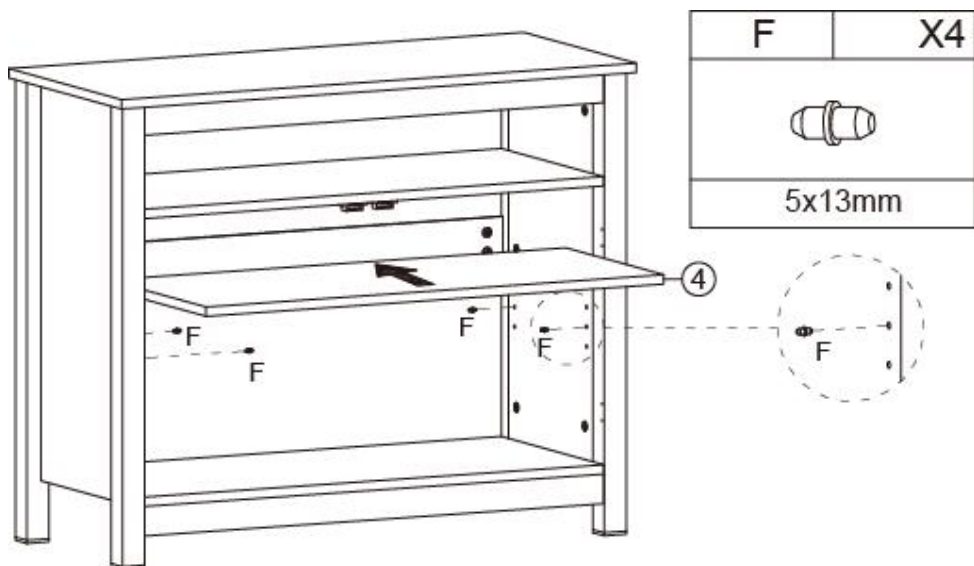
STEG 8



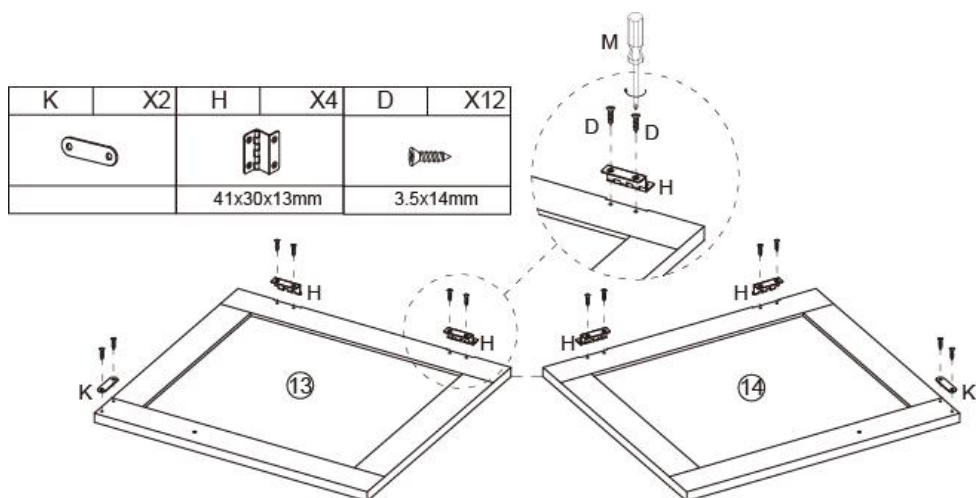
STEG 9



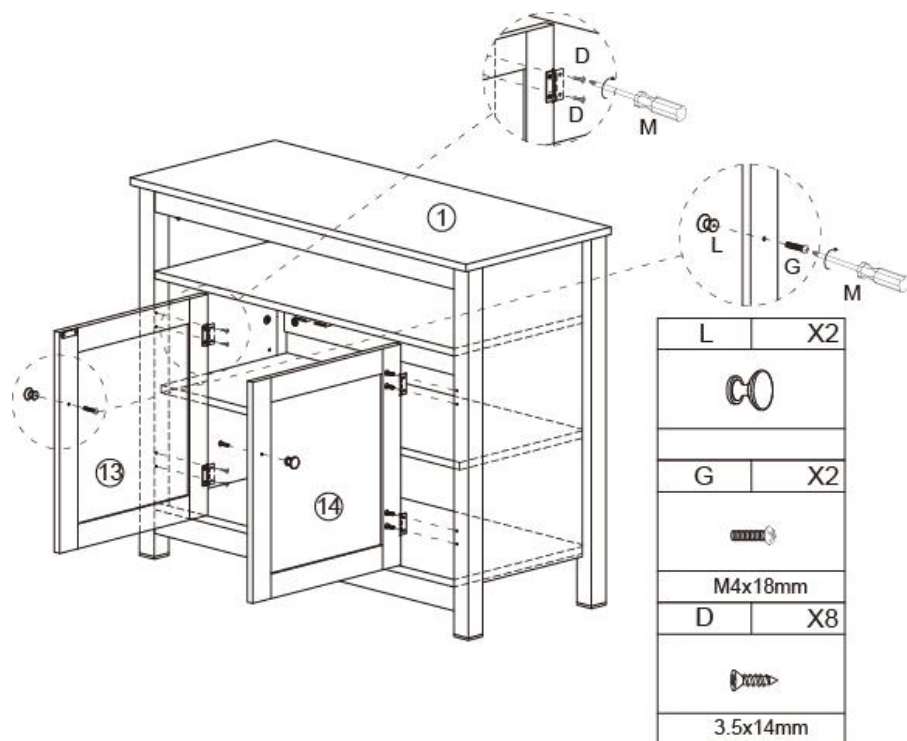
STEG 10



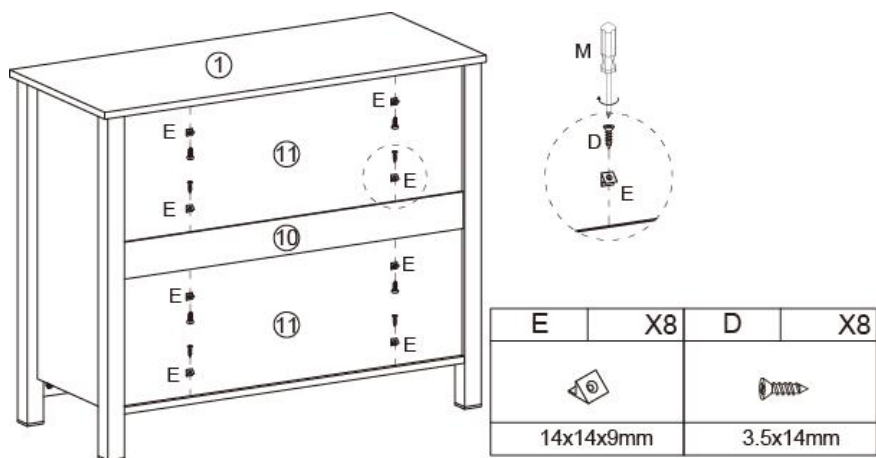
STEG 11



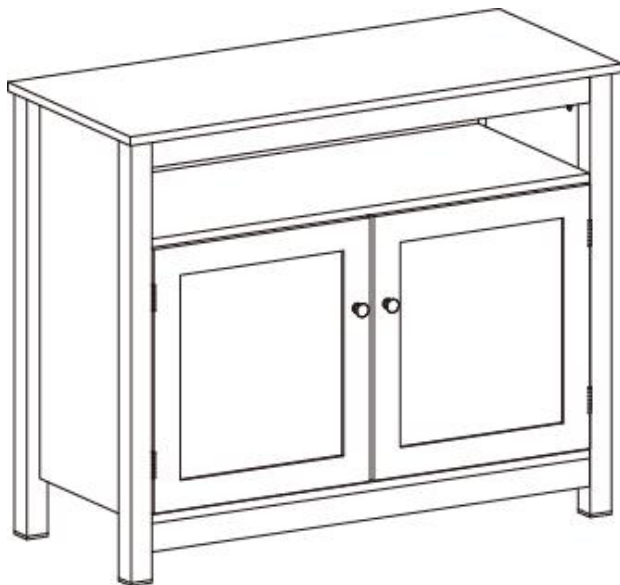
STEG 12



STEG 13



STEG 14



Adress: Baoshanqu Shuangchenglu 803long 11hao 1602A-1609shi
Shanghai

Importerad till AUS: SIHAO PTY LTD, 1 ROKEVASTREETEASTWOOD
NSW 2122 Australien

Importerad till USA: VEVOR STORE INC, 9448 RINCHMOND PL #E
RANCHO CUCAMONGA, Kalifornien, 91730 USA



Pooledas Group Ltd
Unit 5 Albert Edward House, The Pavilions
Preston, United Kingdom



SHUNSHUN GmbH
Römeräcker 9 Z2021, 76351
Linkenheim-Hochstetten, Germany

Tillverkad i Kina

VEVOR[®]

TOUGH TOOLS, HALF PRICE

Teknisk Support och e-garanticertifikat

www.vevor.com/support