

# **VEVOR<sup>®</sup>**

**TOUGH TOOLS, HALF PRICE**

Technical Support and E-Warranty Certificate

[www.vevor.com/support](http://www.vevor.com/support)

## **CORDLESS CAULKING GUN**

### **MODEL:Q0V-CX51-20**

We continue to be committed to provide you tools with competitive price.

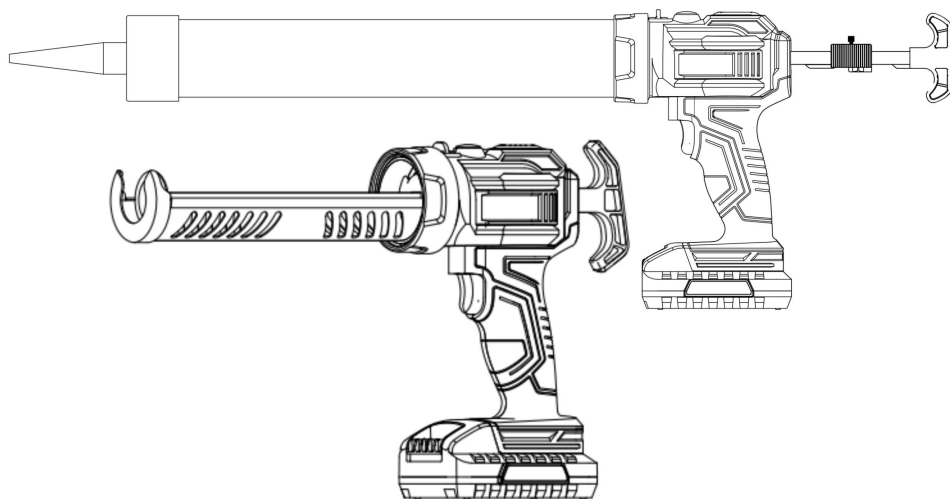
"Save Half", "Half Price" or any other similar expressions used by us only represents an estimate of savings you might benefit from buying certain tools with us compared to the major top brands and does not necessarily mean to cover all categories of tools offered by us. You are kindly reminded to verify carefully when you are placing an order with us if you are actually saving half in comparison with the top major brands.

# VEVOR®

TOUGH TOOLS, HALF PRICE

## CORDLESS CAULKING GUN

MODEL:Q0V-CX51-20



### NEED HELP? CONTACT US!

Have product questions? Need technical support? Please feel free to contact us:

**Technical Support and E-Warranty Certificate**  
**[www.vevor.com/support](http://www.vevor.com/support)**

This is the original instruction, please read all manual instructions carefully before operating. VEVOR reserves a clear interpretation of our user manual. The appearance of the product shall be subject to the product you received. Please forgive us that we won't inform you again if there are any technology or software updates on our product.

	<p><b>Warning-</b>To reduce the risk of injury, users must read the instructions manual carefully.</p>
	<p><b>Warning-</b> Be sure to wear eye protectors when using this product.</p>
	<p><b>Warning-</b> Be sure to wear gloves when using this product.</p>
	<p><b>CORRECT DISPOSAL</b></p> <p>This product is subject to the provision of European Directive 2012/19/EC. The symbol showing a wheelie bin crossed through indicates that the product requires separate refuse collection in the European Union. This applies to the product and all accessories marked with this symbol. Products marked as such may not be discarded with normal domestic waste but must be taken to a collection point for recycling electrical and electronic devices.</p>
	<p><b>FCC statement:</b></p> <p>This device complies with Part 15 of the FCC Rules. Operation is subject to the following two conditions:(1)This device may not cause harmful interference, and (2)this device must accept any interference received, including interference that may cause undesired operation.</p>

## IMPORTANT SAFETY WARNINGS

**WARNING:** Read all safety warnings, instructions, illustrations and specifications provided with this power tool. Failure to follow all instructions listed below may result in electric shock, fire and/or serious injury. Save all warnings and instructions for future reference. The term "power tool" in the safety instructions refers to your Cordless caulking gun.

### **Work area safety**

a) Keep work area clean and well lit. Cluttered or dark areas invite accidents.

- b) Do not operate power tools in explosive atmospheres, such as in the presence of flammable liquids, gases or dust. Power tools create sparks which may ignite the dust or fumes.
- c) Keep children and bystanders away while operating a power tool. Distractions can cause you to lose control.

### **Electrical safety**

- a) Power tool plugs must match the outlet. Never modify the plug in any way. Do not use any adapter plugs with earthed (grounded) power tools. Unmodified plugs and matching outlets will reduce risk of electric shock.
- b) Avoid body contact with earthed or grounded surfaces, such as pipes, radiators, ranges and refrigerators. There is an increased risk of electric shock if your body is earthed or grounded.
- c) Do not expose power tools to rain or wet conditions. Water entering a power tool will increase the risk of electric shock.
- d) Do not abuse the cord. Never use the cord for carrying, pulling or unplugging the power tool. Keep cord away from heat, oil, sharp edges or moving parts. Damaged or entangled cords increase the risk of electric shock.
- e) When operating a power tool outdoors, use an extension cord suitable for outdoor use. Use of a cord suitable for outdoor use reduces the risk of electric shock.
- f) If operating a power tool in a damp location is unavoidable, use a residual current device (RCD) protected supply. Use of an RCD reduces the risk of electric shock.

### **Personal safety**

- a) Stay alert, watch what you are doing and use common sense when operating a power tool. Do not use a power tool while you are tired or under the influence of drugs, alcohol or medication. A moment of inattention while operating power tools may result in serious personal injury.
- b) Use personal protective equipment. Always wear eye protection. Protective equipment such as a dust mask, non-skid safety shoes, hard hat or hearing protection used for appropriate conditions will reduce personal injuries.
- c) Prevent unintentional starting. Ensure the switch is in the off-position before connecting to power source and/or battery pack, picking up or carrying the tool. Carrying power tools with your finger on the switch or energising power tools that



have the switch on invites accidents.

d) Remove any adjusting key or wrench before turning the power tool on. A wrench or a key left attached to a rotating part of the power tool may result in personal injury.

e) Do not overreach. Keep proper footing and balance at all times. This enables better control of the power tool in unexpected situations.

f) Dress properly. Do not wear loose clothing or jewellery. Keep your hair and clothing away from moving parts. Loose clothes, jewellery or long hair can be caught in moving parts.

g) If devices are provided for the connection of dust extraction and collection facilities, ensure these are connected and properly used. Use of dust collection can reduce dust-related hazards.

h) Do not let familiarity gained from frequent use of tools allow you to become complacent and ignore tool safety principles. A careless action can cause severe injury within a fraction of a second.

### **Power tool use and care**

a) Do not force the power tool. Use the correct power tool for your application. The correct power tool will do the job better and safer at the rate for which it was designed.

b) Do not use the power tool if the switch does not turn it on and off. Any power tool that cannot be controlled with the switch is dangerous and must be repaired.

c) Disconnect the plug from the power source and/or remove the battery pack, if detachable, from the power tool before making any adjustments, changing accessories, or storing power tools. Such preventive safety measures reduce the risk of starting the power tool accidentally.

d) Store idle power tools out of the reach of children and do not allow persons unfamiliar with the power tool or these instructions to operate the power tool. Power tools are dangerous in the hands of untrained users.

e) Maintain power tools and accessories. Check for misalignment or binding of moving parts, breakage of parts and any other condition that may affect the power tool's operation. If damaged, have the power tool repaired before use. Many accidents are caused by poorly maintained power tools.

f) Keep cutting tools sharp and clean. Properly maintained cutting tools with sharp cutting edges are less likely to bind and are easier to control.

g) Use the power tool, accessories and tool bits etc. in accordance with these instructions, taking into account the working conditions and the work to be performed. Use of the power tool for operations different from those intended could result in a hazardous situation.

h) Keep handles and grasping surfaces dry, clean and free from oil and grease. Slippery handles and grasping surfaces do not allow for safe handling and control of the tool in unexpected situations.

## **Service**

a) Have your power tool serviced by a qualified repair person using only identical replacement parts. This will ensure that the safety of the power tool is maintained.

## **Battery power tool Safety Instructions**

1. prevent unintentional starting. Ensure the switch is in the off-position before connecting to battery pack, picking up or carrying the power tool. Carrying the power tool with your finger on the switch or energizing power tool that have the switch on invites accidents.
2. Disconnect the battery pack from the power tool before making any adjustments, changing accessories, or storing power tool. Such preventive safety measures reduce the risk of starting the power tool accidentally.
3. Recharge only with the charger specified by the manufacturer. A charger that is suitable for one type of battery pack may create a risk of fire when used with another battery pack.
4. Use power tools only with specifically designated battery packs. Use of any other battery packs may create a risk of injury and fire
5. When battery pack is not in use, keep it away from other metal objects, like paper clips, coins, keys, nails, screws or other small metal objects, that can make a connection from one terminal to another. Shorting the battery terminals together may cause burns or a fire.
6. Under abusive conditions, liquid may be ejected from the battery; avoid contact. If contact accidentally occurs, flush with water. If liquid contacts eyes, additionally seek medical help. Liquid ejected from the battery may cause irritation or burns.
7. Do not use a battery pack or power tool that is damaged or modified. Damaged or modified batteries may exhibit unpredictable behavior resulting in fire, explosion or risk of injury.

8. Do not expose a battery pack or power tool to fire or excessive temperature. Exposure to fire or temperature above 265°F may cause explosion.

9. Follow all charging instructions and do not charge the battery pack or power tool outside of the temperature range specified in the instructions. Charging improperly or at

temperatures outside of the specified range may damage the battery and increase the risk of fire.

10. Have servicing performed by a qualified repair person using only identical replacement parts. This will ensure that the safety of the product is maintained.

11. Do not modify or attempt to repair the power tool or the battery pack except as indicated in the instructions for use and care.

12. The battery Charger gets hot during use. The Charger's heat can build up to unsafe levels and create a fire hazard if it does not receive adequate ventilation, due to an electrical fault, or if it is used in a hot environment. Do not place the Charger on a flammable surface. Do not obstruct any vents on the Charger. Especially avoid placing the charger on carpets and rugs; they are not only flammable, but they also obstruct vents under the charger. Place the Charger on a stable, solid, nonflammable surface (such as a stable metal workbench or concrete floor) at least 1 foot away from all flammable objects, such as drapes or walls. Keep a fire extinguisher and a smoke detector in the area. Frequently monitor the Charger and Battery Pack while charging.

13. Lithium Battery Safety Warnings **LITHIUM BATTERIES STORE A LARGE AMOUNT OF ENERGY AND WILL VENT FIRE OR EXPLODE IF MISSTREATED:**

a. Keep Battery pack dry.

b. DO NOT DO ANY OF THE FOLLOWING TO THE BATTERY PACK: • Open, • Drop, • Short-circuit, • puncture, • incinerate, or • Expose to temperatures greater than 265°F.

c. Charge Battery Pack only according to its Charger's instructions.

d. Inspect Battery Pack before every use; Do not use or charge if damaged.

### **Other safety rules**

➤ Keep work area clean and well lit. Cluttered or dark areas invite accidents.

➤ Do not operate power tools in explosive atmospheres, such as in the presence of flammable liquids, gases or dust. Power tools create sparks which may ignite the dust or fumes.

- Keep children and bystanders away while operating a power tool. Distractions can cause you to lose control.
- Stay alert, watch what you are doing and use common sense when operating a power tool. Do not use a power tool while you are tired or under the influence of drugs, alcohol or medication.
- Use personal protective equipment, such as a dust mask, non-skid safety shoes, hard hat or hearing protection used for appropriate conditions will reduce personal injuries.
- Prevent unintentional starting. Ensure the switch is in the off-position before connecting to power source and/or battery pack, picking up or carrying the tool.
- Do not overreach. Keep proper footing and balance at all times. This enables better control of the power tool in unexpected situations.
- Dress properly. Do not wear loose clothing or jewelry. Keep your hair and clothing away from moving parts. Loose clothes, jewelry or long hair can be caught in moving parts.
- When battery is not in use, keep it away from other metal objects, like paper clips, coins, keys, nails, screws or other small metal objects, that can make a connection from one terminal to another.
- Have your power tool serviced by a qualified repair person using only identical replacement parts. This will ensure that the safety of the power tool is maintained.

**SAVE THESE INSTRUCTIONS**

## TECHNICAL PARAMETERS

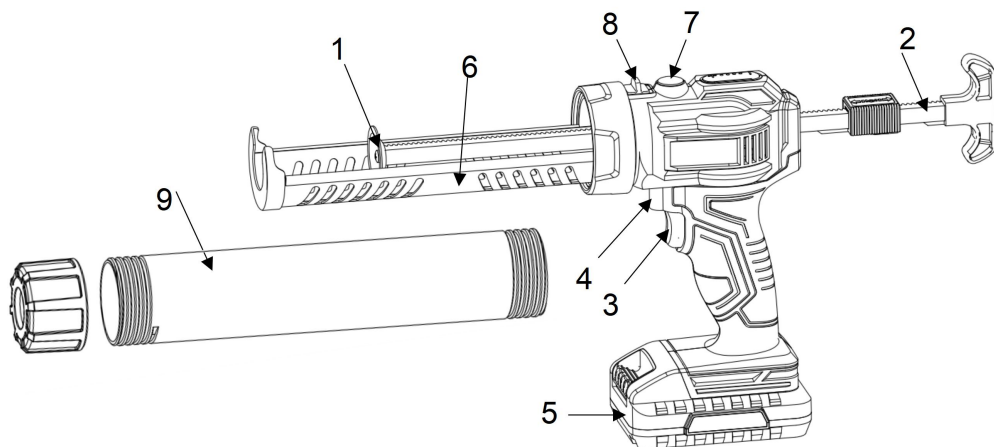
<b>Model</b>	Q0V-CX51-20
<b>Rating voltage:</b>	20V
<b>Caulking speed:</b>	1-4mm/s
<b>Working current:</b>	1A
<b>LED current:</b>	200mA (only for 300ml short barrel)
<b>LED lumens:</b>	400-450LM (only for 300ml short barrel)
<b>Working pressure:</b>	270kgs
<b>Working time:</b>	4 hours
<b>LED color temperature:</b>	6000-6500K (only for 300ml short barrel)
<b>LED color display:</b>	70-75Ra (only for 300ml short barrel)

## FUNCTIONAL DESCRIPTION

### 1. APPLICATIONS

- You may use this tool for the following purposes:
- Sealing cracks to keep your home's conditioned air inside while keeping unconditioned air outside, increasing your home's energy efficiency.
- Filling holes and cracks before painting.
- Creating a moisture barrier around areas that could be damaged by water.
- Sealing cracks to keep insects from crawling inside your home.
- Applying adhesive.

## 2. PRODUCT DETAILS



1. Plunger rod

2. Plunger rod handle

3. Start button

4. Switch trigger

5. Battery

6. 300ml short barrel

7. Light switch

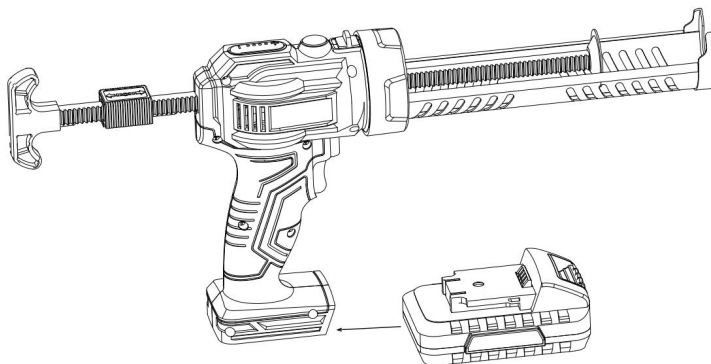
8. Barrel replacement switch

9. 600ml long barrel

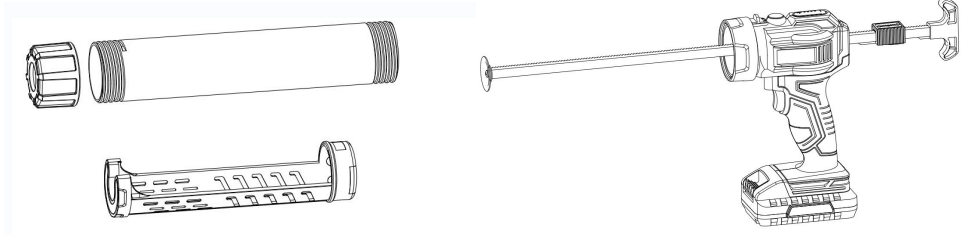
## OPERATION INSTRUCTION

### 1. TO INSTALL THE BATTERY

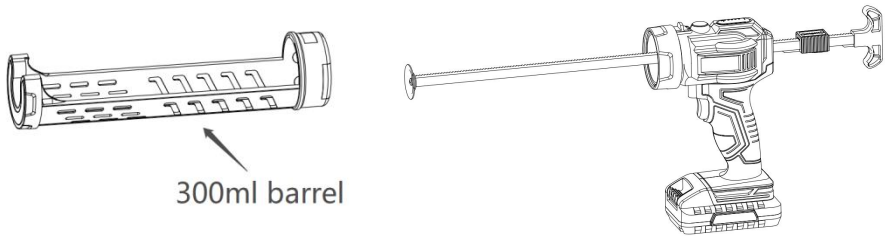
Push the battery to the bottom of the gun.



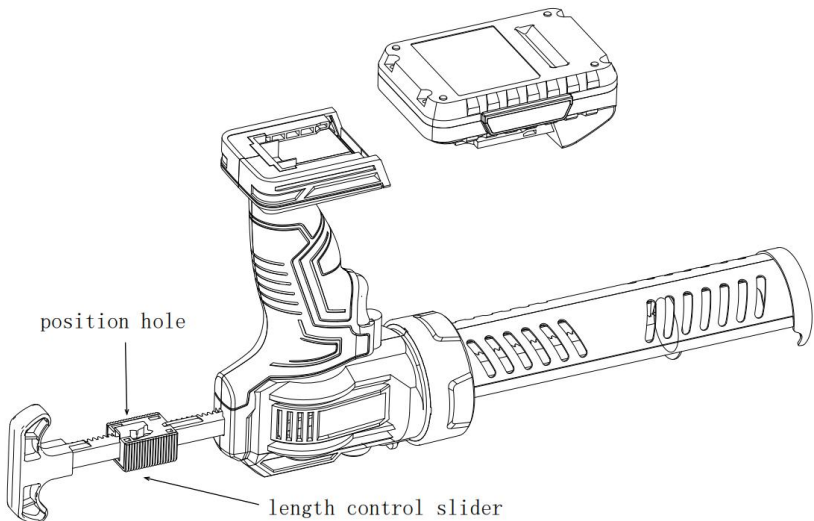
## 2. TO INSTALL AND REPLACE THE BARREL



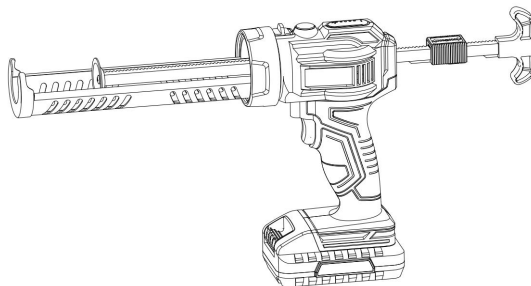
To install 300ml cartridge barrel, just put the barrel into the bayonet at an angle of 90 °and rotate it back until a sound is heard, that is, the fixation is completed.



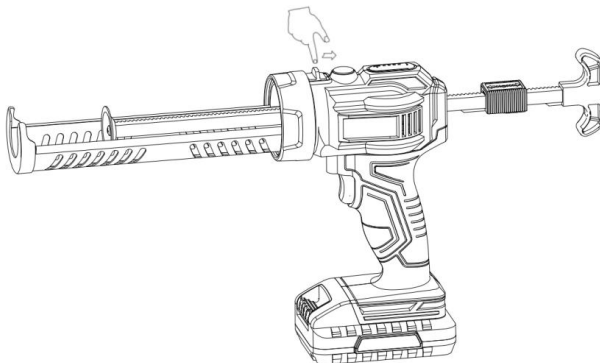
Also, you need to change the length of plunger rod to fit the 300ml barrel. As shown in the following figure, slide the length control slider to the left until it is stuck in the position hole and cannot move forward.



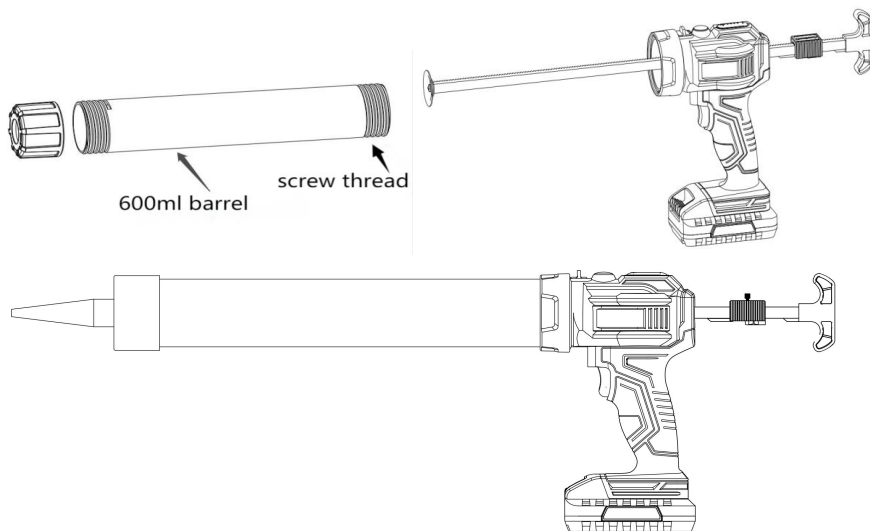
In this way, you will get a 300ml glue gun.



To remove the 300ml cartridge barrel, slightly pull the barrel replacement switch backward, at the same time rotate barrel by 90 ° and pull it out.

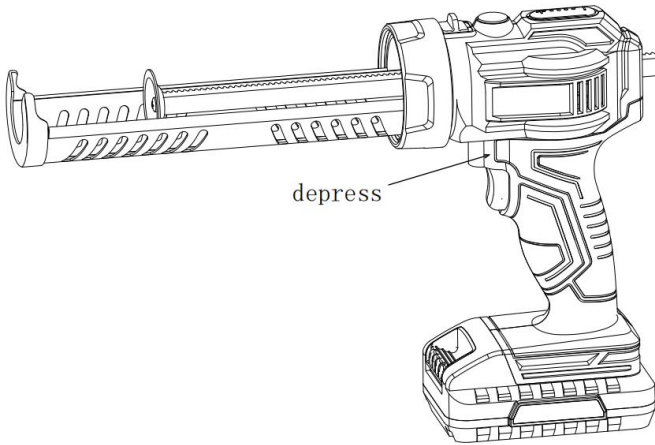


To install 600ml cartridge barrel, rotate barrel directly.



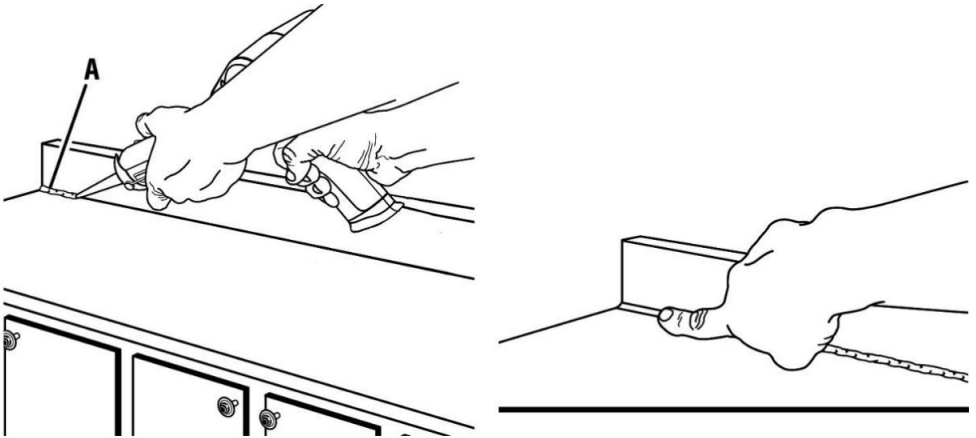


### 3. STARTING/STOPPING THE CAULKING GUN



To turn the caulk gun ON, depress the switch trigger.  
To turn the caulk gun OFF, release the switch trigger.

### 4. APPLYING CAULK



Removing any dust, dirt, or remnants of old caulking. Make sure the area to be caulked is clean and dry.

Hold the gun at a slight angle. If filling a crack, insert the spout into the crack if possible; otherwise, run the caulk gun along the surface.

Squeeze the trigger allowing the caulk to extrude from the tube tip.

If the bead of caulk is too narrow, re-cut the nozzle to provide a larger opening. However, it is better to apply a thin bead of caulk and add a little more if necessary than to apply too much and attempt to remove the excess.

If there is blocked, you can release the switch trigger and the plunge rod will be automatically unlock and back off, check and make sure that:

Nozzle tip is cut.

Inner seal in the caulk tube is broken.

Hardened material is removed from the nozzle.

Caulk tube is not damaged or frozen.

Plunger rod is free of caulk/adhesive materials.

If the motor continues to shut off, try another tube of material or take the tool to an authorized service center.

Carefully move the caulk gun at an even pace along the gap to be filled as you continue to depress the switch trigger. Make sure the caulk comes in full contact with both application surfaces. If necessary, use your finger to gently press the caulk into a corner or crack.

## **MAINTENANCE**

When servicing, use only identical replacement parts. Use of any other parts could create a hazard or cause product damage.

To avoid serious personal injury, always remove the batteries from the product when cleaning or performing any maintenance.

Avoid using solvents when cleaning plastic parts. Most plastics are susceptible to damage from various types of commercial solvents and may be damaged by their use. Use clean clothes to remove dirt, dust, oil, grease, etc.

Do not at any time let brake fluids, gasoline, petroleum-based products, penetrating oils, etc., come in contact with plastic parts. Chemicals can damage, weaken or destroy plastic which may result in serious personal injury.

**Manufacturer:** Shanghaimuxinmuyeyouxiangongsi

**Address:** Shuangchenglu 803nong11hao1602A-1609shi, baoshanqu, shanghai 200000 CN.

**Imported to AUS:** SIHAO PTY LTD. 1 ROKEVA STREETEASTWOOD NSW 2122 Australia

**Imported to USA:** Sanven Technology Ltd. Suite 250, 9166 Anaheim Place, Rancho Cucamonga, CA 91730



YH CONSULTING LIMITED.

C/O YH Consulting Limited Office 147, Centurion House, London Road, Staines-upon-Thames, Surrey, TW18 4AX



E-CrossStu GmbH

Mainzer Landstr.69,  
60329 Frankfurt am Main.



**VEVOR<sup>®</sup>**

**TOUGH TOOLS, HALF PRICE**

**Technical Support and E-Warranty Certificate**

**[www.vevor.com/support](http://www.vevor.com/support)**

# VEVOR®

## TOUGH TOOLS, HALF PRICE

Assistance technique et certificat de garantie

électronique [www.vevor.com/support](http://www.vevor.com/support)

### PISTOLET À CALFEUTRER SANS FIL

MODÈLE : Q0V-CX51-20

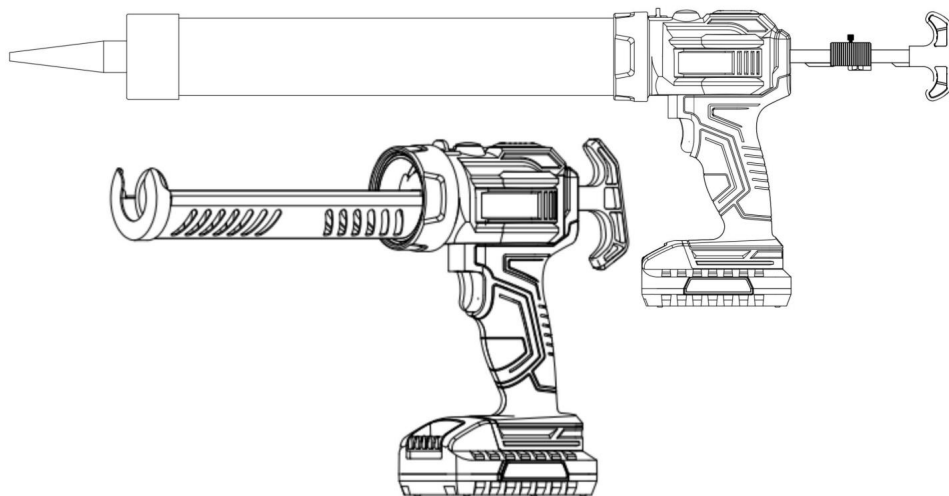
Nous continuons à nous engager à vous fournir des outils à des prix compétitifs. « Économisez la moitié », « Moitié prix » ou toute autre expression similaire utilisée par nous ne représente qu'une estimation des économies que vous pourriez réaliser en achetant certains outils chez nous par rapport aux grandes marques et ne couvre pas nécessairement toutes les catégories d'outils que nous proposons. Nous vous rappelons de bien vouloir vérifier soigneusement lorsque vous passez une commande chez nous si vous économisez réellement la moitié par rapport aux grandes marques.

# VEVOR<sup>®</sup>

**TOUGH TOOLS, HALF PRICE**

PISTOLET À CALFEUTRER SANS FIL

MODÈLE : Q0V-CX51-20



## BESOIN D'AIDE? CONTACTEZ-NOUS!

Vous avez des questions sur nos produits ? Vous avez besoin d'assistance technique ? N'hésitez pas à nous contacter :

Assistance technique et certificat de garantie  
électronique [www.vevor.com/support](http://www.vevor.com/support)

Il s'agit de la notice d'utilisation d'origine. Veuillez lire attentivement toutes les instructions du manuel avant de l'utiliser. VEVOR se réserve le droit d'interpréter clairement notre manuel d'utilisation. L'apparence du produit dépend du produit que vous avez reçu. Veuillez nous excuser, nous ne vous informerons plus en cas de mise à jour technologique ou logicielle de notre produit.

	<p>Avertissement - Pour réduire le risque de blessure, les utilisateurs doivent lire les instructions</p> <p>Lisez attentivement le manuel.</p>
	<p>Avertissement – Assurez-vous de porter des lunettes de protection lorsque vous utilisez ce produit.</p>
	<p>Avertissement – Assurez-vous de porter des gants lorsque vous utilisez ce produit.</p>
 	<p>ÉLIMINATION CORRECTE</p> <p>Ce produit est soumis aux dispositions de la directive européenne 2012/19/CE. Le symbole représentant une poubelle à roulettes barrée indique que le produit nécessite une collecte séparée des déchets dans le Union européenne. Ceci s'applique au produit et à tous les accessoires marqués de ce symbole. Les produits marqués comme tels ne peuvent pas être jeté avec les ordures ménagères normales mais doit être apporté dans un point de collecte pour le recyclage des appareils électriques et électroniques.</p>
	<p>Déclaration de la FCC :</p> <p>Cet appareil est conforme à la partie 15 des règles de la FCC. Son fonctionnement est sous réserve des deux conditions suivantes : (1) Cet appareil ne doit pas provoquer interférences nuisibles, et (2) cet appareil doit accepter toute interférence reçu, y compris les interférences pouvant entraîner un fonctionnement indésirable.</p>

## AVERTISSEMENTS DE SÉCURITÉ IMPORTANTS

AVERTISSEMENT : Lisez tous les avertissements de sécurité, instructions, illustrations et spécifications

fourni avec cet outil électrique. Le non-respect de toutes les instructions énumérées ci-dessous peut entraîner un choc électrique, un incendie et/ou des blessures graves. Conservez tous les avertissements et instructions pour référence ultérieure. Le terme « outil électrique » dans les consignes de sécurité fait référence à votre Pistolet à calfeutrer sans fil.

Sécurité de la zone de travail

a) Gardez la zone de travail propre et bien éclairée. Les zones encombrées ou sombres favorisent les accidents.



b) N'utilisez pas d'outils électriques dans des atmosphères explosives, par exemple en présence de liquides, de gaz ou de poussières inflammables. Les outils électriques créent des étincelles qui peuvent s'enflammer la poussière ou les fumées.

c) Gardez les enfants et les spectateurs à l'écart lorsque vous utilisez un outil électrique. peut vous faire perdre le contrôle.

## Sécurité électrique

a) Les fiches des outils électriques doivent correspondre à la prise. Ne modifiez jamais la fiche de quelque façon que ce soit. N'utilisez pas d'adaptateurs avec des outils électriques reliés à la terre. Fiches non modifiées

et des prises adaptées réduiront le risque de choc électrique. b) Évitez tout contact du corps avec des surfaces mises à la terre ou reliées à la terre, telles que des tuyaux, des radiateurs, des cuisinières et des réfrigérateurs. Le risque de choc électrique est accru si votre corps est

c) N'exposez pas les outils électriques à la pluie ou à l'humidité. L'eau pénétrant dans un outil électrique augmentera le risque de choc électrique.

d) Ne pas malmener le cordon. Ne jamais utiliser le cordon pour transporter, tirer ou débrancher l'outil électrique. Gardez le cordon à l'écart de la chaleur, de l'huile, des bords tranchants ou des pièces mobiles.

Les cordons endommagés ou emmêlés augmentent le risque de décharge électrique. e)

Lorsque vous utilisez un outil électrique à l'extérieur, utilisez une rallonge adaptée utilisation en extérieur. L'utilisation d'un cordon adapté à une utilisation en extérieur réduit le risque de choc électrique. choc.

f) Si l'utilisation d'un outil électrique dans un endroit humide est inévitable, utilisez un alimentation protégée par un dispositif à courant différentiel résiduel (RCD). L'utilisation d'un RCD réduit le risque de choc électrique choc.

## Sécurité personnelle

a) Restez vigilant, regardez ce que vous faites et faites preuve de bon sens lorsque vous conduisez un outil électrique. N'utilisez pas d'outil électrique lorsque vous êtes fatigué ou sous l'influence de drogues, alcool ou médicaments. Un moment d'inattention lors de l'utilisation d'outils électriques peut entraîner des blessures graves. b) Utilisez un

équipement de protection individuelle. Portez toujours une protection pour les yeux. Protection des équipements tels qu'un masque anti-poussière, des chaussures de sécurité antidérapantes, un casque de sécurité ou des protections auditives

La protection utilisée dans des conditions appropriées réduira les blessures corporelles. c) Empêchez tout démarrage involontaire. Assurez-vous que l'interrupteur est en position d'arrêt avant connexion à la source d'alimentation et/ou à la batterie, prise ou transport de l'outil.

Transporter des outils électriques avec le doigt sur l'interrupteur ou mettre sous tension des outils électriques qui

avoir l'interrupteur allumé invite aux accidents.

d) Retirez toute clé de réglage ou de serrage avant de mettre l'outil électrique sous tension. Une clé ou une clé laissée attachée à une pièce rotative de l'outil électrique peut entraîner des blessures corporelles.

e) Ne

vous penchez pas trop en avant. Gardez toujours une bonne position et un bon équilibre. Cela permet meilleur contrôle de l'outil électrique dans des situations inattendues.

f) Habillez-vous correctement. Ne portez pas de vêtements amples ni de bijoux. Gardez vos cheveux et vêtements éloignés des pièces mobiles. Des vêtements amples, des bijoux ou des cheveux longs peuvent être pris dans des pièces mobiles. g)

Si des dispositifs sont prévus pour le raccordement de l'extraction et de la collecte des poussières installations, assurez-vous qu'elles sont connectées et utilisées correctement. Utilisation de dépoussiéreurs peut réduire les risques liés à la poussière.

h) Ne laissez pas la familiarité acquise grâce à l'utilisation fréquente des outils vous permettre de devenir complaisant et ignorer les principes de sécurité des outils. Une action négligente peut entraîner de graves blessure en une fraction de seconde.

#### Utilisation et entretien des outils électriques

a) Ne forcez pas l'outil électrique. Utilisez l'outil électrique adapté à votre application.

un outil électrique approprié fera le travail mieux et de manière plus sûre au rythme auquel il a été utilisé.

b) N'utilisez

pas l'outil électrique si l'interrupteur ne permet pas de l'allumer et de l'éteindre. Tout outil électrique qui ne peut pas être contrôlé avec l'interrupteur est dangereux et doit être réparé. c) Débranchez la fiche de la source d'alimentation et/ou retirez la batterie, si

détachable, de l'outil électrique avant d'effectuer des réglages, des changements accessoires ou le stockage des outils électriques. De telles mesures de sécurité préventives réduisent risque de démarrage accidentel de l'outil électrique. d) Rangez

les outils électriques inutilisés hors de portée des enfants et ne laissez pas les personnes ne sont pas familiers avec l'outil électrique ou ces instructions pour utiliser l'outil électrique.

Les outils électriques sont dangereux entre les mains d'utilisateurs non formés. e)

Entretenez les outils électriques et les accessoires. Vérifiez qu'ils ne sont pas mal alignés ou coincés. pièces mobiles, bris de pièces et toute autre condition pouvant affecter la puissance fonctionnement de l'outil électrique. S'il est endommagé, faites réparer l'outil électrique avant de l'utiliser.

les accidents sont causés par des outils électriques mal entretenus.

f) Gardez les outils de coupe bien aiguisés et propres. Des outils de coupe bien entretenus et bien aiguisés les bords tranchants sont moins susceptibles de se coincer et sont plus faciles à contrôler.

g) Utiliser l'outil électrique, les accessoires, les embouts, etc. conformément à ces instructions.

instructions, en tenant compte des conditions de travail et des travaux à effectuer

L'utilisation de l'outil électrique pour des opérations différentes de celles prévues pourrait entraîner une situation dangereuse.

h) Gardez les poignées et les surfaces de préhension sèches, propres et exemptes d'huile et de graisse.

Les poignées et les surfaces de préhension glissantes ne permettent pas une manipulation et un contrôle sûrs de l'outil dans des situations inattendues.

## Service

a) Faites entretenir votre outil électrique par un réparateur qualifié utilisant uniquement des pièces identiques.

pièces de rechange. Cela garantit que la sécurité de l'outil électrique est maintenue.

### Consignes de sécurité pour les outils électriques à batterie

1. Éviter tout démarrage involontaire. Assurez-vous que l'interrupteur est en position d'arrêt avant connexion à la batterie, prise ou transport de l'outil électrique. Transporter l'outil électrique avec votre

doigt sur l'interrupteur ou l'outil électrique sous tension dont l'interrupteur est allumé invite accidents.

2. Débranchez la batterie de l'outil électrique avant d'effectuer des réglages, de changer des accessoires ou de ranger l'outil électrique. Ces mesures de sécurité préventives réduisent le risque de démarrage accidentel de l'outil électrique.

3. Rechargez uniquement avec le chargeur spécifié par le fabricant. Un chargeur qui est convient à un type de batterie peut créer un risque d'incendie lorsqu'il est utilisé avec un autre pack de batteries.

4. Utilisez uniquement des outils électriques équipés de batteries spécifiquement conçues à cet effet. d'autres packs de batteries peuvent créer un risque de blessure et d'incendie

5. Lorsque la batterie n'est pas utilisée, éloignez-la d'autres objets métalliques, comme trombones, pièces de monnaie, clés, clous, vis ou autres petits objets métalliques, qui peuvent faire une connexion d'un terminal à un autre. Court-circuiter les bornes de la batterie ensemble peut provoquer des brûlures ou un incendie.

6. Dans des conditions abusives, du liquide peut être éjecté de la batterie ; évitez tout contact.

En cas de contact accidentel, rincer à l'eau. En cas de contact du liquide avec les yeux, rincer abondamment à l'eau.

Consultez un médecin. Le liquide éjecté de la batterie peut provoquer une irritation ou des brûlures.

7. N'utilisez pas de batterie ou d'outil électrique endommagé ou modifié.

ou les batteries modifiées peuvent présenter un comportement imprévisible entraînant un incendie, une explosion ou risque de blessure.

8. N'exposez pas une batterie ou un outil électrique au feu ou à une température excessive. L'exposition au feu ou à une température supérieure à 265 °F peut provoquer une explosion.

9. Suivez toutes les instructions de charge et ne chargez pas la batterie ou l'outil électrique. en dehors de la plage de température spécifiée dans les instructions. Chargement incorrect ou à

des températures en dehors de la plage spécifiée peuvent endommager la batterie et augmenter le risque d'incendie.

10. Faites effectuer l'entretien par un réparateur qualifié utilisant uniquement des pièces identiques. pièces de rechange. Cela permettra de garantir la sécurité du produit.

11. Ne modifiez pas et ne tentez pas de réparer l'outil électrique ou la batterie, sauf si indiqué dans la notice d'utilisation et d'entretien.

12. Le chargeur de batterie devient chaud pendant l'utilisation. La chaleur du chargeur peut s'accumuler niveaux dangereux et créer un risque d'incendie s'il ne bénéficie pas d'une ventilation adéquate, en raison d'un défaut électrique ou s'il est utilisé dans un environnement chaud. Ne placez pas le Chargeur sur une surface inflammable. Ne pas obstruer les orifices d'aération du chargeur. Évitez surtout de placer le chargeur sur des tapis et moquettes ; ils ne sont pas seulement inflammables, mais ils obstruent également les événements situés sous le chargeur. Placez le chargeur sur une surface stable, solide et ininflammable (comme un établi en métal stable ou (sol en béton) à au moins 1 pied de tous les objets inflammables, tels que des rideaux ou murs. Gardez un extincteur et un détecteur de fumée dans la zone. Fréquemment Surveillez le chargeur et la batterie pendant la charge.

13. Avertissements de sécurité concernant les batteries au lithium LES BATTERIES AU LITHIUM STOCKENT UNE GRANDE QUANTITÉ D'ÉNERGIE ET RISQUE DE PROVOQUER UN INCENDIE OU D'EXPLOSER EN CAS DE MAL TRAITEMENT :

a. Gardez le bloc-piles au sec. b.

NE FAITES AUCUNE DES ACTIONS SUIVANTES SUR LE BLOC-PILE : • Ouvrir, • Faire tomber, • Court-circuiter, • Percer, • Incinérer, ou • Exposer à des températures supérieures à plus de 265°F.

c. Chargez la batterie uniquement selon les instructions de son chargeur. d. Inspectez la batterie avant chaque utilisation ; ne l'utilisez pas et ne la chargez pas si elle est endommagée.

### Autres règles de sécurité

Gardez la zone de travail propre et bien éclairée. Les zones encombrées ou sombres favorisent les accidents. N'utilisez pas d'outils électriques dans des atmosphères explosives, par exemple en présence de liquides, de gaz ou de poussières inflammables. Les outils électriques créent des étincelles qui peuvent s'enflammer la poussière ou les fumées.

Gardez les enfants et les spectateurs à distance lorsque vous utilisez un outil électrique.

peut vous faire perdre le contrôle.

Restez vigilant, regardez ce que vous faites et faites preuve de bon sens lorsque vous utilisez un

outil électrique. N'utilisez pas d'outil électrique lorsque vous êtes fatigué ou sous l'influence de drogues, alcool ou médicaments.

Utiliser un équipement de protection individuelle, tel qu'un masque anti-poussière, des chaussures de sécurité antidérapantes

des chaussures, un casque ou une protection auditive utilisés dans des conditions appropriées réduire les blessures corporelles.

Évitez tout démarrage involontaire. Assurez-vous que l'interrupteur est en position d'arrêt avant

lors du branchement à la source d'alimentation et/ou à la batterie, lors du ramassage ou du transport de l'outil.

Ne vous penchez pas trop. Gardez toujours une bonne position et un bon équilibre. Cela permet

meilleur contrôle de l'outil électrique dans des situations inattendues.

Habilitez-vous correctement. Ne portez pas de vêtements amples ni de bijoux. Gardez vos cheveux et

vêtements éloignés des pièces mobiles. Des vêtements amples, des bijoux ou des cheveux longs peuvent être coincés dans des pièces

mobiles. Lorsque la batterie n'est pas utilisée, éloignez-la d'autres objets métalliques, comme du papier

clips, pièces de monnaie, clés, clous, vis ou autres petits objets métalliques, qui peuvent faire une connexion d'un terminal à un autre.

Faites entretenir votre outil électrique par un réparateur qualifié utilisant uniquement des pièces identiques.

pièces de rechange. Cela garantira la sécurité de l'outil électrique maintenu.

**CONSERVEZ CES INSTRUCTIONS**

## PARAMÈTRES TECHNIQUES

Modèle	Q0V-CX51-20
Tension nominale :	20 V
Vitesse de calfeutrage :	1-4 mm/s
Courant de travail :	1A
Courant LED :	200 mA (uniquement pour le canon court de 300 ml)
Lumens LED :	400-450LM (uniquement pour le canon court de 300 ml)
Pression de travail :	270 kg
Temps de travail:	4 heures
Température de couleur des LED :	6000-6500K (uniquement pour le canon court de 300 ml)
Affichage couleur LED :	70-75Ra (uniquement pour le canon court de 300 ml)

## DESCRIPTION FONCTIONNELLE

### 1. APPLICATIONS

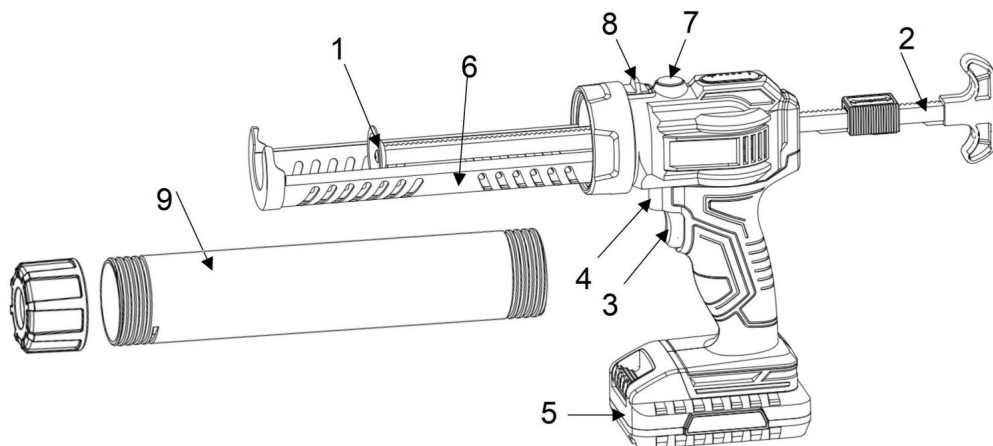
Vous pouvez utiliser cet outil aux fins suivantes :

Sceller les fissures pour garder l'air conditionné de votre maison à l'intérieur tout en préservant l'air extérieur non conditionné, augmentant l'efficacité énergétique de votre maison.

Reboucher les trous et les fissures avant de peindre.

Créer une barrière contre l'humidité autour des zones qui pourraient être endommagées par l'eau. Sceller les fissures pour empêcher les insectes de ramper à l'intérieur de votre maison. Appliquer de la colle.

## 2. DÉTAILS DU PRODUIT



1. Tige de piston 2.

Poignée de la tige de piston

3. Bouton de démarrage

4. Interrupteur à gâchette

5. Batterie

6. Barillet court de 300 ml

7. Interrupteur

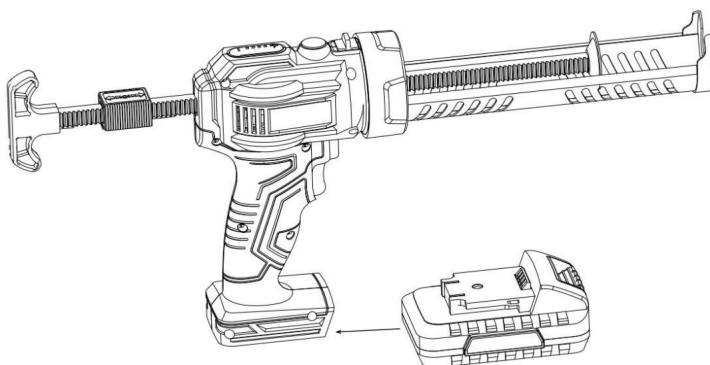
d'éclairage 8. Interrupteur de remplacement

du barillet 9. Barillet long de 600 ml

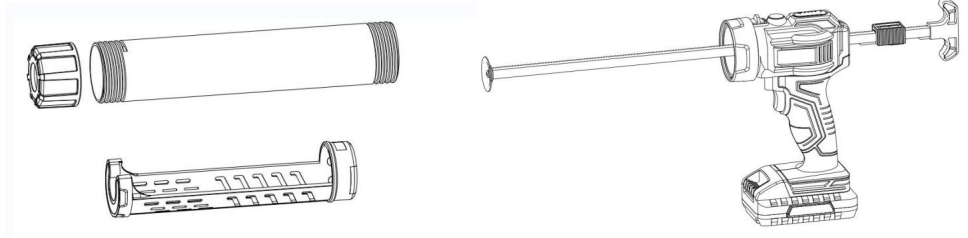
## INSTRUCTION D'UTILISATION

### 1. POUR INSTALLER LA BATTERIE

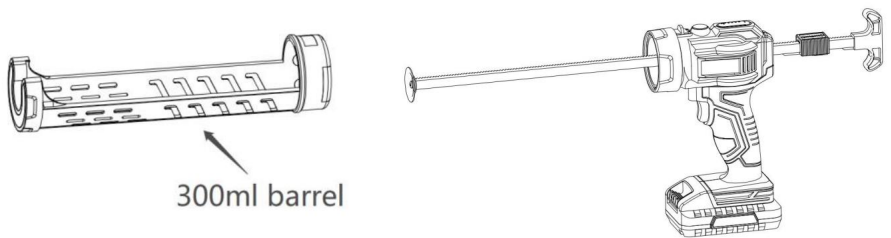
Poussez la batterie vers le bas du pistolet.



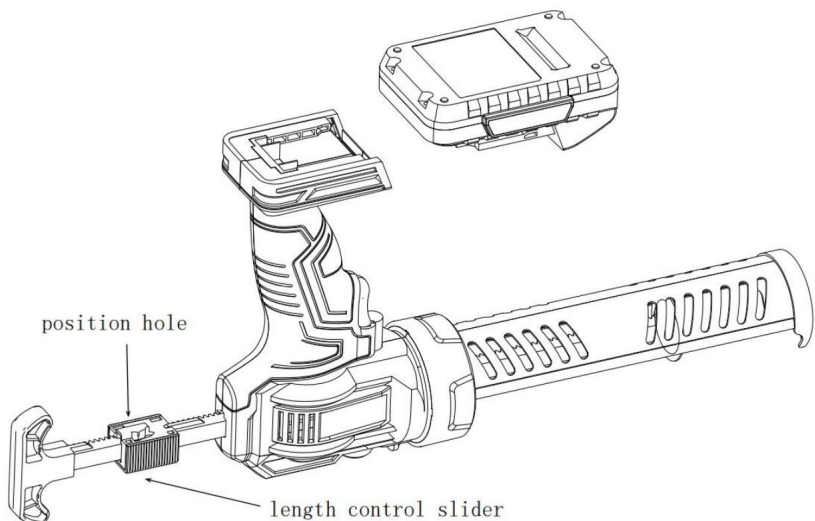
## 2. POUR INSTALLER ET REMPLACER LE BARIL



Pour installer le canon de cartouche de 300 ml, il suffit de placer le canon dans la baïonnette à un angle de 90 ° et de le faire pivoter vers l'arrière jusqu'à ce qu'un son soit entendu, c'est-à-dire que la fixation est terminée.

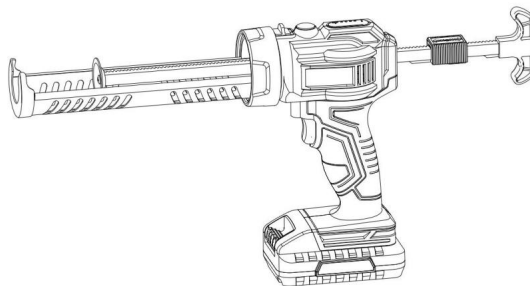


De plus, vous devez modifier la longueur de la tige du piston pour l'adapter au fût de 300 ml. Comme indiqué dans la figure suivante, faites glisser le curseur de contrôle de longueur vers la gauche jusqu'à ce qu'il soit bloqué dans le trou de positionnement et ne puisse plus avancer.

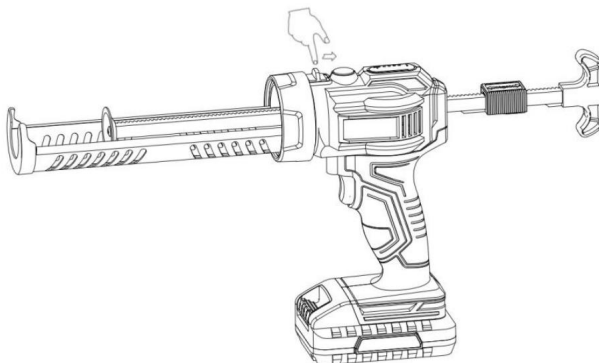




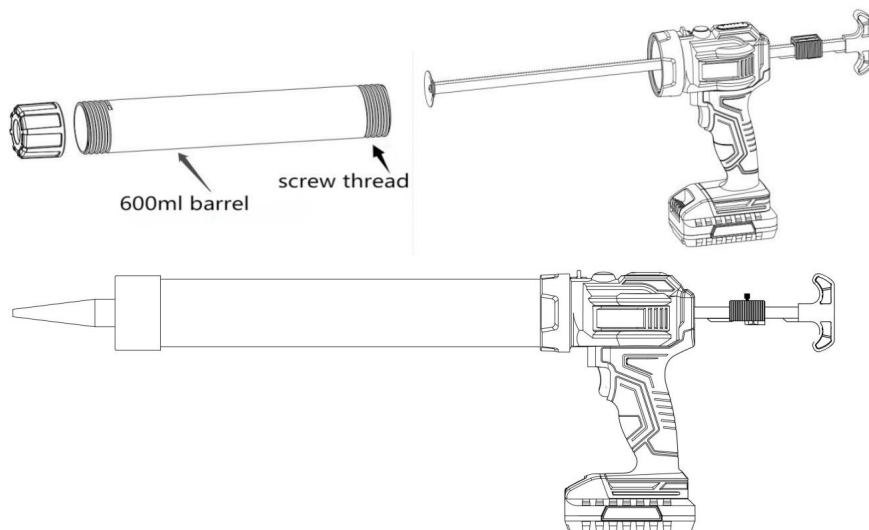
De cette façon, vous obtiendrez un pistolet à colle de 300 ml.



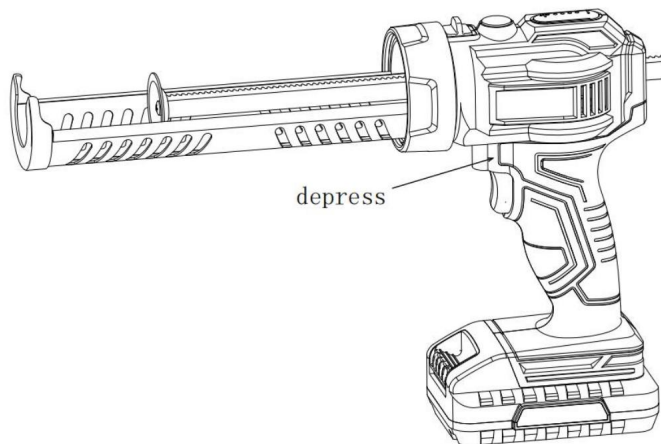
Pour retirer le corps de la cartouche de 300 ml, tirez légèrement sur l'interrupteur de remplacement du corps vers l'arrière, en même temps, faites tourner le canon de 90° et retirez-le.



Pour installer le barillet de cartouche de 600 ml, faites pivoter le barillet directement.



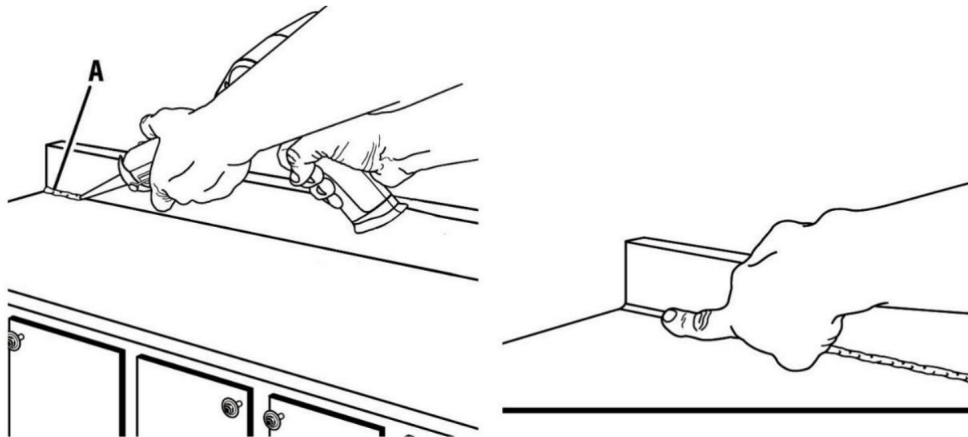
### 3. DÉMARRAGE/ARRÊT DU PISTOLET À CALFEUTRER



Pour allumer le pistolet à calfeutrer, appuyez sur la gâchette.

Pour éteindre le pistolet à calfeutrer, relâchez la gâchette.

### 4. APPLICATION DU CALFEUTRE



Enlever toute poussière, saleté ou restes de vieux calfeutrage. Assurez-vous que la zone à traiter le calfeutrage est propre et sec.

Tenez le pistolet légèrement incliné. Si vous remplissez une fissure, insérez le bec dans la fissure si possible; sinon, passez le pistolet à calfeutrer le long de la surface.

Appuyez sur la gâchette pour permettre au mastic de sortir de l'embout du tube.

Si le cordon de calfeutrage est trop étroit, recoupez la buse pour obtenir une ouverture plus grande.

Il est toutefois préférable d'appliquer un mince cordon de mastic et d'en ajouter un peu plus si nécessaire.

plutôt que d'en appliquer trop et de tenter d'enlever l'excédent.

Si'il y a un blocage, vous pouvez relâcher la gâchette de l'interrupteur et la tige de plongée sera

déverrouiller et reculer automatiquement, vérifiez et assurez-vous que :

La pointe de la buse est coupée.

Le joint intérieur du tube de calfeutrage est brisé.

Le matériau durci est retiré de la buse.

Le tube de calfeutrage n'est pas endommagé ou gelé.

La tige du piston est exempte de matériaux de calfeutrage/adhésifs.

Si le moteur continue de s'éteindre, essayez un autre tube de matériau ou apportez l'outil chez un réparateur agréé. centre de service autorisé.

Déplacez soigneusement le pistolet à calfeutrer à un rythme régulier le long de l'espace à combler au fur et à mesure que vous continuez à appuyer sur la gâchette de l'interrupteur. Assurez-vous que le mastic entre entièrement en contact avec les deux surfaces d'application. Si nécessaire, utilisez votre doigt pour appuyer doucement sur calfeutrer dans un coin ou une fissure.

## ENTRETIEN

Lors de l'entretien, utilisez uniquement des pièces de rechange identiques. L'utilisation de toute autre pièce pourrait créer un danger ou endommager le produit.

Pour éviter des blessures corporelles graves, retirez toujours les piles du produit.

lors du nettoyage ou de toute opération d'entretien.

Évitez d'utiliser des solvants lors du nettoyage des pièces en plastique. La plupart des plastiques sont sensibles à dommages causés par divers types de solvants commerciaux et peuvent être endommagés par leurs utiliser. Utilisez des vêtements propres pour enlever la saleté, la poussière, l'huile, la graisse, etc.

Ne laissez jamais les liquides de frein, l'essence, les produits à base de pétrole, les huiles pénétrantes, etc. entrer en contact avec les pièces en plastique. Les produits chimiques peuvent endommager, affaiblir ou détruire le plastique, ce qui peut entraîner des blessures graves.

Fabricant : Shanghaimuxinmuyeyouxiangongsi

Adresse : Shuangchenglu 803nong11hao1602A-1609shi, baoshanqu, Shanghai  
200 000 CN.

Importé en Australie : SIHAO PTY LTD. 1 ROKEVA STREET EASTWOOD NSW 2122  
Australie

Importé aux États-Unis : Sanven Technology Ltd. Suite 250, 9166 Anaheim Place, Rancho  
Cucamonga, CA 91730



YH CONSULTING LIMITÉE.

A/S YH Consulting Limited Bureau 147, Centurion  
Maison, London Road, Staines-upon-Thames,  
Surrey, TW18 4AX



E-CrossStu GmbH

Mainzer Landstr.69,  
60329 Francfort-sur-le-Main.



**VEVOR**®  
**TOUGH TOOLS, HALF PRICE**

Assistance technique et certificat de garantie  
électronique [www.vevor.com/support](http://www.vevor.com/support)

# **VEVOR<sup>®</sup>**

## **TOUGH TOOLS, HALF PRICE**

Technischer Support und E-Garantie-Zertifikat

[www.vevor.com/support](http://www.vevor.com/support)

## **AKKU-DICHTUNGSPISTOLE**

### **MODELL:Q0V-CX51-20**

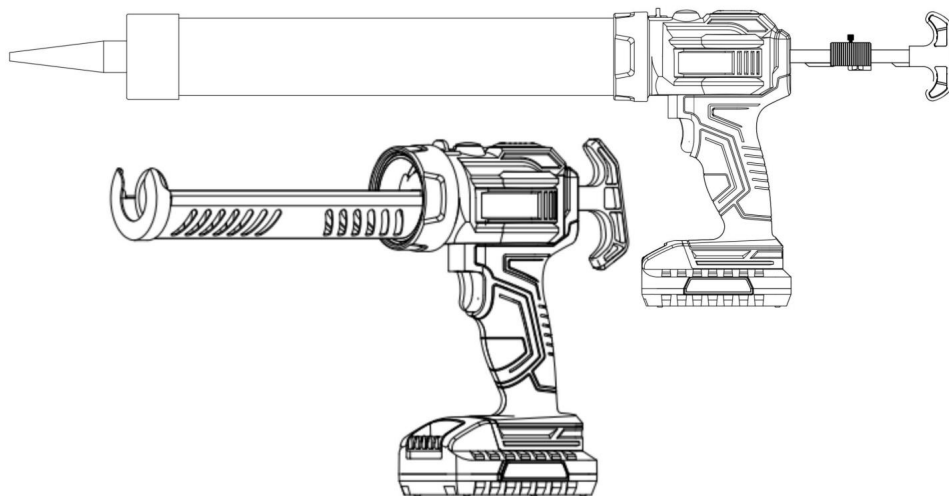
Wir sind weiterhin bestrebt, Ihnen Werkzeuge zu wettbewerbsfähigen Preisen anzubieten. „Sparen Sie die Hälfte“, „Halber Preis“ oder andere ähnliche Ausdrücke, die wir verwenden, stellen nur eine Schätzung der Ersparnis dar, die Sie beim Kauf bestimmter Werkzeuge bei uns im Vergleich zu den großen Topmarken erzielen können, und bedeuten nicht notwendigerweise, dass sie alle von uns angebotenen Werkzeugkategorien abdecken. Wir möchten Sie freundlich daran erinnern, bei Ihrer Bestellung bei uns sorgfältig zu prüfen, ob Sie im Vergleich zu den großen Topmarken tatsächlich die Hälfte sparen.

# VEVOR®

TOUGH TOOLS, HALF PRICE

AKKU-DICHTUNGSPISTOLE

MODELL:Q0V-CX51-20



## Brauchen Sie Hilfe? Kontaktieren Sie uns!

Sie haben Fragen zu unseren Produkten? Sie benötigen technischen Support? Dann kontaktieren Sie uns gerne:

**Technischer Support und E-Garantie-Zertifikat**  
**[www.vevor.com/support](http://www.vevor.com/support)**

Dies ist die Originalanleitung. Bitte lesen Sie alle Anweisungen sorgfältig durch, bevor Sie das Gerät in Betrieb nehmen. VEVOR behält sich eine klare Auslegung unserer Bedienungsanleitung vor. Das Erscheinungsbild des Produkts richtet sich nach dem Produkt, das Sie erhalten haben. Bitte verzeihen Sie uns, dass wir Sie nicht erneut informieren, wenn es Technologie- oder Software-Updates für unser Produkt gibt.



	<p><b>Warnung-Um</b> das Verletzungsrisiko zu verringern, müssen Benutzer die Anweisungen lesen</p> <p>Lesen Sie das Handbuch sorgfältig durch.</p>
	<p><b>Warnung:</b> Tragen Sie bei der Verwendung dieses Produkts unbedingt einen Augenschutz.</p>
	<p><b>Achtung:</b> Tragen Sie bei der Verwendung dieses Produkts unbedingt Handschuhe.</p>
 	<p><b>KORREKTE ENTSORGUNG</b></p> <p>Dieses Produkt unterliegt den Bestimmungen der europäischen Richtlinie 2012/19/EG. Das Symbol einer durchgestrichenen Mülltonne weist darauf hin, dass das Produkt einer getrennten Müllentsorgung im Europäische Union. Dies gilt für das Produkt und alle Zubehörteile gekennzeichnet. Produkte, die mit diesem Symbol gekennzeichnet sind, dürfen nicht nicht mit dem normalen Hausmüll entsorgt werden, sondern müssen an einen Sammelstelle für das Recycling von elektrischen und elektronischen Geräten.</p>
	<p><b>FCC-Erklärung:</b></p> <p>Dieses Gerät entspricht Teil 15 der FCC-Bestimmungen. Der Betrieb ist unter den folgenden beiden Bedingungen:(1) Dieses Gerät darf keine schädliche Interferenzen, und (2) dieses Gerät muss alle Interferenzen akzeptieren empfangen werden, einschließlich Störungen, die einen unerwünschten Betrieb verursachen können.</p>

## WICHTIGE SICHERHEITSHINWEISE

**WARNUNG:** Lesen Sie alle Sicherheitswarnungen, Anweisungen, Abbildungen und Spezifikationen

mit diesem Elektrowerkzeug geliefert. Die Nichtbeachtung aller unten aufgeführten Anweisungen kann zu Stromschlag, Brand und/oder schweren Verletzungen führen. Bewahren Sie alle Warnhinweise und Anweisungen für zukünftiges Nachschlagen. Der Begriff "Elektrowerkzeug" in den Sicherheitshinweisen bezieht sich auf Ihre Akku-Kartuschenpistole.

### Sicherheit am Arbeitsplatz

a) Halten Sie Ihren Arbeitsbereich sauber und gut beleuchtet. Unordnung oder dunkle Bereiche können zu Unfällen führen.

b) Betreiben Sie Elektrowerkzeuge nicht in explosionsgefährdeten Bereichen, wie z. B. in der Nähe von brennbaren Flüssigkeiten, Gasen oder Staub. Elektrowerkzeuge erzeugen Funken, die der Staub oder die Dämpfe.

c) Halten Sie Kinder und andere Personen während der Benutzung des Elektrowerkzeugs fern. Ablenkung kann dazu führen, dass Sie die Kontrolle verlieren.

## **Elektrische Sicherheit**

a) Der Stecker des Elektrowerkzeugs muss in die Steckdose passen. Verändern Sie den Stecker niemals in irgendeiner Weise.

Verwenden Sie keine Adapterstecker mit geerdeten Elektrowerkzeugen. Unveränderte Stecker und passende Steckdosen verringern das Risiko eines Stromschlags. b) Vermeiden

Sie Körperkontakt mit geerdeten Oberflächen wie Rohren, Heizkörpern, Herden und Kühlschränken. Es besteht ein erhöhtes Risiko eines Stromschlags, wenn Ihr Körper

c) Setzen Sie Elektrowerkzeuge

nicht Regen oder Nässe aus. Wasser, das in ein Elektrowerkzeug eindringt, erhöht das Risiko eines Stromschlags.

d) Missbrauchen Sie das Kabel nicht. Verwenden Sie das Kabel niemals zum Tragen, Ziehen oder Ausstecken des Elektrowerkzeug. Halten Sie das Kabel von Hitze, Öl, scharfen Kanten oder beweglichen Teilen fern.

Beschädigte oder verwickelte Kabel erhöhen das Risiko eines elektrischen Schlages. e) Wenn Sie

mit einem Elektrowerkzeug im Freien arbeiten, verwenden Sie ein Verlängerungskabel, das für

Verwendung im Freien. Die Verwendung eines für den Außenbereich geeigneten Kabels verringert das Risiko eines elektrischen Schock.

f) Wenn der Betrieb eines Elektrowerkzeugs in feuchter Umgebung unvermeidlich ist, verwenden Sie einen

Schutzschalter (RCD) geschützte Stromversorgung. Die Verwendung eines RCD verringert das Risiko eines elektrischen Schock.

## **Persönliche Sicherheit**

a) Bleiben Sie aufmerksam, achten Sie darauf, was Sie tun, und verwenden Sie Ihren gesunden Menschenverstand beim Bedienen eines

Benutzen Sie kein Elektrowerkzeug, wenn Sie müde sind oder unter dem Einfluss von

Drogen, Alkohol oder Medikamente. Ein Moment der Unaufmerksamkeit beim Bedienen von Elektrowerkzeugen kann zu schweren Verletzungen führen. b) Verwenden

Sie persönliche Schutzausrüstung. Tragen Sie immer eine Schutzbrille.

Schutzausrüstung wie Staubmaske, rutschfeste Sicherheitsschuhe, Schutzhelm oder Gehörschutz

Schutzvorrichtungen, die unter geeigneten Bedingungen verwendet werden, verringern Verletzungen. c)

Vermeiden Sie unbeabsichtigtes Einschalten. Stellen Sie sicher, dass sich der Schalter in der Aus-Position befindet, bevor Anschließen an die Stromquelle und/oder den Akku, Aufnehmen oder Tragen des Werkzeugs.

Das Tragen von Elektrowerkzeugen mit dem Finger am Schalter oder das Einschalten von Elektrowerkzeugen,

Das Einschalten des Schalters führt zu Unfällen.

d) Entfernen Sie vor dem Einschalten des Elektrowerkzeugs alle Einstellschlüssel oder Schraubenschlüssel.

oder ein Schlüssel, der in einem rotierenden Teil des Elektrowerkzeugs steckt, kann zu Verletzungen führen.

e)

Überstrecken Sie sich nicht. Achten Sie stets auf den richtigen Stand und das Gleichgewicht. Dadurch

bessere Kontrolle über das Elektrowerkzeug in unerwarteten Situationen.

f) Ziehen Sie sich angemessen an. Tragen Sie keine weite Kleidung oder Schmuck. Halten Sie Ihre Haare und

Kleidung von beweglichen Teilen fernhalten. Lose Kleidung, Schmuck oder lange Haare können

von beweglichen Teilen erfasst

werden. g) Wenn Vorrichtungen für den Anschluss von Staubabsaug- und Staubsammeleinrichtungen vorhanden sind

Stellen Sie sicher, dass diese angeschlossen und ordnungsgemäß verwendet werden. Die Verwendung von Staubabsaugung

kann die staubbedingten Gefahren verringern.

h) Lassen Sie sich nicht durch häufigen Gebrauch von Werkzeugen verwöhnen.

nachlässig und ignorieren Sie die Sicherheitsgrundsätze für Werkzeuge. Eine unachtsame Handlung kann schwere

Verletzungen innerhalb von Sekundenbruchteilen.

#### **Verwendung und Pflege von Elektrowerkzeugen**

a) Überlasten Sie das Elektrowerkzeug nicht. Verwenden Sie für Ihre Anwendung das richtige Elektrowerkzeug.

Das richtige Elektrowerkzeug erledigt die Arbeit besser und sicherer bei der Leistung, für die es bestimmt ist.

b) Benutzen

Sie das Elektrowerkzeug nicht, wenn der Schalter nicht funktioniert. Jedes Elektrowerkzeug

, die nicht mit dem Schalter gesteuert werden können, ist gefährlich und muss repariert werden. c) Ziehen Sie den

Stecker aus der Stromquelle und/oder entfernen Sie den Akkupack, wenn

vom Elektrowerkzeug abmontieren, bevor Sie Einstellungen vornehmen, den

Zubehör oder Lagerung von Elektrowerkzeugen. Solche vorbeugenden Sicherheitsmaßnahmen verringern das

Gefahr eines unbeabsichtigten Startens des Elektrowerkzeugs.

d) Bewahren Sie unbenutzte Elektrowerkzeuge außerhalb der Reichweite von Kindern auf und lassen Sie

Personen, die mit dem Elektrowerkzeug oder diesen Anweisungen nicht vertraut sind, sollten das Elektrowerkzeug nicht benutzen.

Elektrowerkzeuge sind in den Händen von unerfahrenen Benutzern gefährlich. e) Warten

Sie Elektrowerkzeuge und Zubehör gut. Überprüfen Sie, ob die

bewegliche Teile, Bruch von Teilen und alle anderen Bedingungen, die die Leistung beeinträchtigen können

Bei Beschädigungen muss das Elektrowerkzeug vor der Verwendung repariert werden. Viele

Unfälle werden durch schlecht gewartete Elektrowerkzeuge verursacht.

f) Halten Sie Schneidwerkzeuge scharf und sauber. Gut gewartete Schneidwerkzeuge mit scharfen

Die Schneidkanten verklemmen sich weniger und sind leichter zu kontrollieren.

g) Benutzen Sie das Elektrowerkzeug, Zubehör, Einsatzwerkzeuge usw. gemäß diesen Anweisungen unter Berücksichtigung der Arbeitsbedingungen und der auszuführenden Arbeiten. Der Gebrauch des Elektrowerkzeugs für andere als die vorgesehenen Zwecke kann zu einer gefährlichen Situation führen.

h) Halten Sie Griffe und Greifflächen trocken, sauber und frei von Öl und Fett. Rutschige Griffe und Greifflächen ermöglichen keine sichere Handhabung und Kontrolle des Werkzeugs in unerwarteten Situationen.

## **Service**

a) Lassen Sie Ihr Elektrowerkzeug nur von qualifiziertem Fachpersonal reparieren und verwenden Sie dazu Ersatzteile. Damit bleibt die Sicherheit des Elektrowerkzeugs erhalten.

## **Sicherheitshinweise für Akku-Elektrowerkzeuge**

1. unbeabsichtigtes Starten verhindern. Stellen Sie sicher, dass der Schalter in der Aus-Position ist, bevor Anschließen an den Akku, Aufnehmen oder Tragen des Elektrowerkzeugs. Tragen des Elektrowerkzeug mit Ihrem Finger auf dem Schalter oder das Einschalten eines Elektrowerkzeugs, bei dem der Schalter eingeschaltet ist, läßt Unfälle.
2. Trennen Sie den Akku vom Elektrowerkzeug, bevor Sie Einstellungen vornehmen, Zubehörteile wechseln oder das Elektrowerkzeug weglegen. Solche vorbeugenden Sicherheitsmaßnahmen verringern Sie das Risiko eines unbeabsichtigten Startens des Elektrowerkzeugs.
3. Laden Sie nur mit dem vom Hersteller angegebenen Ladegerät auf. Ein Ladegerät, das nur für einen Akkutyp geeignet ist, kann bei Verwendung mit anderen Akkus Brandgefahr entstehen. ein anderer Akkupack.
4. Benutzen Sie Elektrowerkzeuge nur mit den dafür vorgesehenen Akkus. Die Verwendung Bei Verwendung anderer Akkus besteht Verletzungs- und Brandgefahr.
5. Wenn der Akku nicht verwendet wird, halten Sie ihn von anderen Metallgegenständen fern, wie Büroklammern, Münzen, Schlüssel, Nägel, Schrauben oder andere kleine Metallgegenstände, die eine Verbindung von einem Anschluss zum anderen. Durch Kurzschließen der Batterieanschlüsse miteinander kann Verbrennungen oder Feuer verursachen.
6. Bei unsachgemäßer Handhabung kann Flüssigkeit aus der Batterie austreten. Vermeiden Sie den Kontakt. Bei versehentlichem Kontakt mit Wasser spülen. Wenn Flüssigkeit in die Augen gelangt, zusätzlich Suchen Sie einen Arzt auf. Aus der Batterie austretende Flüssigkeit kann zu Reizungen oder Verbrennungen führen.
7. Verwenden Sie keinen beschädigten oder modifizierten Akku oder Elektrowerkzeug. Beschädigte oder modifizierte Batterien können unvorhersehbares Verhalten zeigen, was zu Feuer, Explosion oder Verletzungsgefahr.

8. Setzen Sie Akkus oder Elektrowerkzeuge keinem Feuer oder übermäßigen Temperaturen aus.

Bei Einwirkung von Feuer oder Temperaturen über 135 °C besteht Explosionsgefahr.

9. Befolgen Sie alle Ladeanweisungen und laden Sie den Akku oder das Elektrowerkzeug nicht

außerhalb des in der Anleitung angegebenen Temperaturbereichs. Falsches Laden

oder bei

Temperaturen außerhalb des angegebenen Bereichs können den Akku beschädigen und die

es besteht Brandgefahr.

10. Lassen Sie die Wartung nur von einem qualifizierten Reparaturfachmann durchführen und verwenden Sie dabei nur identische Ersatzteile. Dadurch wird sichergestellt, dass die Sicherheit des Produkts erhalten bleibt.

11. Verändern Sie das Elektrowerkzeug oder den Akku nicht und versuchen Sie auch nicht, ihn zu reparieren, es sei denn, in der Gebrauchs- und Pflegeanleitung angegeben.

12. Das Ladegerät wird während des Gebrauchs heiß. Die Hitze des Ladegeräts kann bis zu

unsichere Werte und stellen eine Brandgefahr dar, wenn es aufgrund eines elektrischen Fehlers nicht ausreichend belüftet wird oder wenn es in einer heißen Umgebung verwendet wird. Stellen Sie das

Ladegerät auf einer brennbaren Oberfläche. Blockieren Sie keine Lüftungsöffnungen am Ladegerät.

Vermeiden Sie insbesondere, das Ladegerät auf Teppichen und Läufern aufzustellen. Diese sind nicht nur

entflammbar, aber sie verstopfen auch die Belüftung unter dem Ladegerät. Stellen Sie das Ladegerät auf einen

stabile, feste, nicht brennbare Oberfläche (wie eine stabile Metallwerkbank oder

Betonboden) mindestens 1 Fuß entfernt von allen brennbaren Gegenständen, wie Vorhängen oder

Wände. Halten Sie einen Feuerlöscher und einen Rauchmelder in der Umgebung bereit. Häufig

Überwachen Sie das Ladegerät und den Akku während des Ladevorgangs.

13. Sicherheitshinweise für Lithium-Batterien **Lithium-Batterien speichern eine große**

**ENERGIEMENGE UND KANN BEI FALSCHER BEHANDLUNG FEUER ODER EXPLODIEREN:**

a. Halten Sie den Akku trocken. b.

LASSEN SIE DEN BATTERIEPACK NICHT ÖFFNEN, FALLS HERUNTERFALLEN, KURZSCHLIESSEN, DURCHSTECHEN, VERBRENNEN ODER TEMPERIEREN.

als 265 °F.

c. Laden Sie den Akku nur gemäß den Anweisungen des Ladegeräts auf. d. Überprüfen Sie den

Akku vor jedem Gebrauch. Verwenden oder laden Sie ihn nicht, wenn er beschädigt ist.

## **Weitere Sicherheitsregeln**

ÿ Halten Sie den Arbeitsbereich sauber und gut beleuchtet. Unordnung oder dunkle Bereiche können zu Unfällen

führen. ÿ Betreiben Sie Elektrowerkzeuge nicht in explosionsgefährdeten Bereichen, wie z. B. in der Nähe von

von brennbaren Flüssigkeiten, Gasen oder Staub. Elektrowerkzeuge erzeugen Funken, die der Staub oder die Dämpfe.

ÿ Halten Sie Kinder und andere Personen während der Benutzung des Elektrowerkzeugs fern.

kann dazu führen, dass Sie die Kontrolle verlieren.

ÿ Bleiben Sie wachsam, achten Sie darauf, was Sie tun, und verwenden Sie Ihren gesunden Menschenverstand beim Bedienen eines

Benutzen Sie kein Elektrowerkzeug, wenn Sie müde sind oder unter dem Einfluss von Drogen, Alkohol oder Medikamente.

ÿ Benutzen Sie persönliche Schutzausrüstung wie Staubmaske, rutschfeste

Schuhe, Schutzhelm oder Gehörschutz, die den jeweiligen Bedingungen entsprechend getragen werden, Personenschäden zu reduzieren.

ÿ Verhindern Sie unbeabsichtigtes Starten. Stellen Sie sicher, dass sich der Schalter in der Aus-Position befindet, bevor

Anschließen an die Stromquelle und/oder den Akkupack, Aufnehmen oder Tragen des Werkzeugs. ÿ Überstrecken Sie sich nicht. Achten Sie stets auf einen sicheren Stand und halten Sie das Gleichgewicht. Dadurch bessere Kontrolle über das Elektrowerkzeug in unerwarteten Situationen.

ÿ Kleiden Sie sich angemessen. Tragen Sie keine weite Kleidung oder Schmuck. Halten Sie Ihre Haare und

Kleidung von beweglichen Teilen fernhalten. Lose Kleidung, Schmuck oder lange Haare können in beweglichen Teilen gefangen

werden. ÿ Wenn die Batterie nicht verwendet wird, halten Sie sie von anderen Metallgegenständen wie Papier fern.

Büroklammern, Münzen, Schlüssel, Nägel, Schrauben oder andere kleine Metallgegenstände, die ein Verbindung von einem Terminal zum anderen.

ÿ Lassen Sie Ihr Elektrowerkzeug nur von qualifiziertem Fachpersonal und nur mit identischem

Ersatzteile. Damit wird die Sicherheit des Elektrowerkzeugs gewährleistet beibehalten.

**BEWAHREN SIE DIESE ANWEISUNGEN AUF**

## TECHNISCHE PARAMETER

<b>Modell</b>	Q0V-CX51-20
<b>Nennspannung:</b>	20 V
<b>Verstimmgeschwindigkeit:</b>	1-4mm/s
<b>Arbeitsstrom:</b>	1A
<b>LED Strom:</b>	200 mA (nur für 300 ml kurzes Fass)
<b>LED-Lumen:</b>	400–450 lm (nur für 300 ml Kurzzylinder)
<b>Betriebsdruck:</b>	270 kg
<b>Arbeitszeit:</b>	4 Stunden
<b>LED-Farbtemperatur:</b>	6000–6500 K (nur für 300 ml Kurzzylinder)
<b>LED-Farbanzeige:</b>	70–75 Ra (nur für 300 ml kurzes Fass)

## FUNKTIONSBESCHREIBUNG

### 1. ANWENDUNGEN

• Sie können dieses Tool für folgende Zwecke verwenden:

• Abdichten von Rissen, um die klimatisierte Luft Ihres Hauses im Inneren zu halten und gleichzeitig unkontrollierte Luft nach draußen und steigert so die Energieeffizienz Ihres Zuhauses.

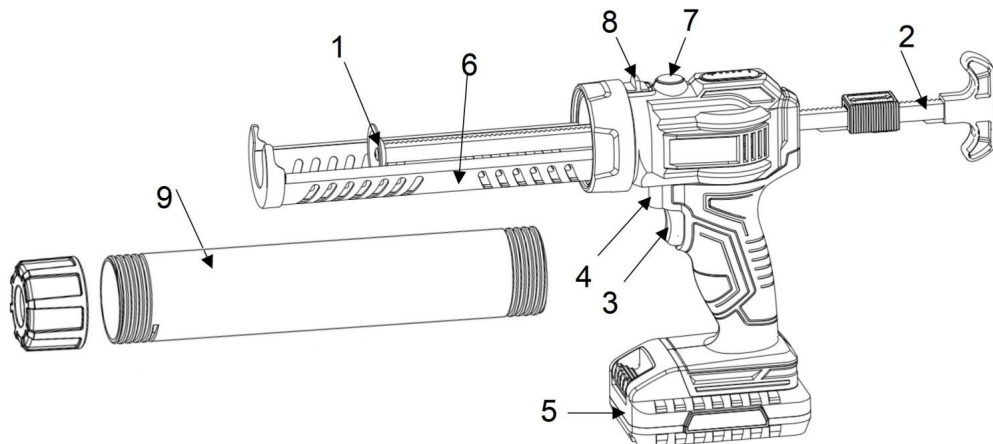
• Füllen von Löchern und Rissen vor dem Streichen.

• Erstellen einer Feuchtigkeitsbarriere um Bereiche, die durch Wasser beschädigt werden

könnten. • Abdichten von Rissen, um zu verhindern, dass Insekten in Ihr Haus

kriechen. • Auftragen von Klebstoff.

## 2. PRODUKTDETAILS



1. Kolbenstange

2. Kolbenstangengriff

3. Start-Taste

4. Schalterauslöser

5. Batterie

6. 300ml kurzer Lauf

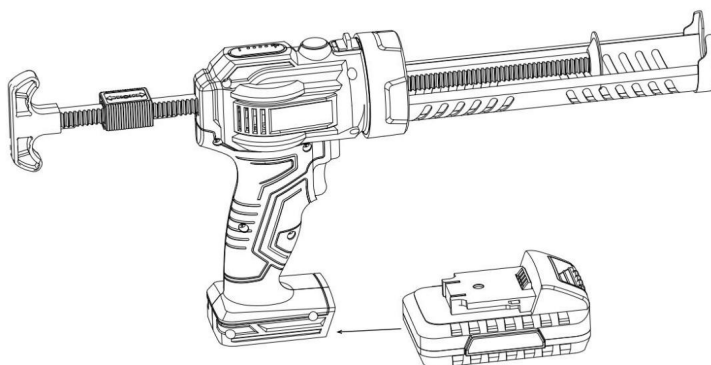
7. Lichtschalter

8. Fasswechschelschalter  
9. 600ml langer Lauf

## BEDIENUNGSANLEITUNG

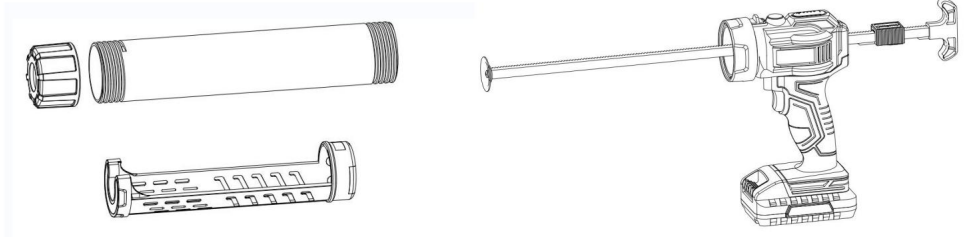
### 1. SO INSTALLIEREN SIE DIE BATTERIE

Schieben Sie die Batterie an die Unterseite der Pistole.

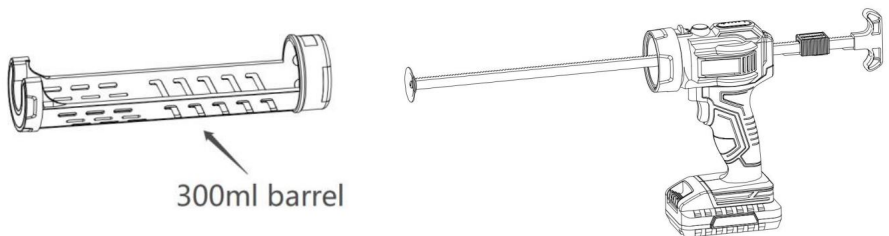




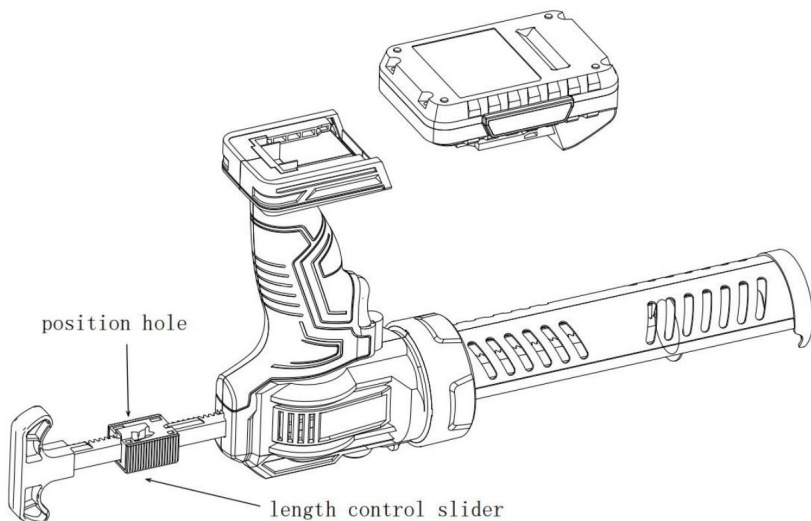
## 2. INSTALLATION UND AUSTAUSCH DES LAUFES



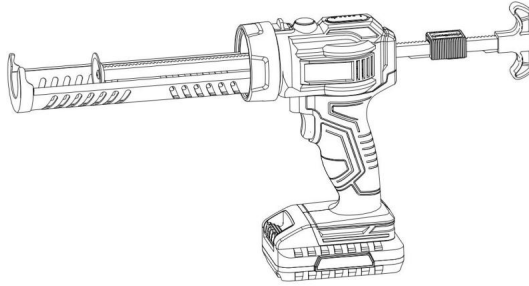
Um den Zylinder einer 300ml-Kartusche zu montieren, stecken Sie den Zylinder einfach im 90°-Winkel in das Bajonett und drehen Sie ihn nach hinten, bis ein Geräusch zu hören ist. Damit ist die Fixierung abgeschlossen.



Außerdem müssen Sie die Länge der Kolbenstange ändern, damit sie zum 300-ml-Fass passt. Schieben Sie den Längenregler wie in der folgenden Abbildung gezeigt nach links, bis er im Positionsloch feststeckt und sich nicht mehr vorwärts bewegen lässt.



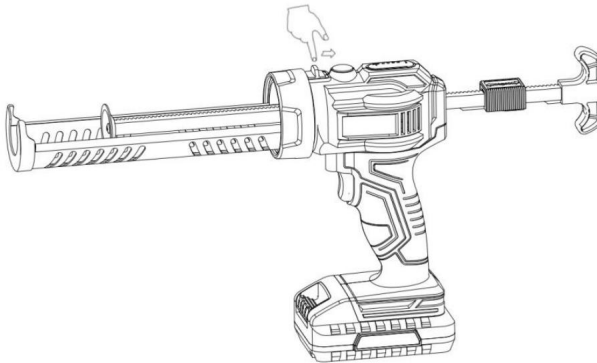
Auf diese Weise erhalten Sie eine 300ml Heißklebepistole.



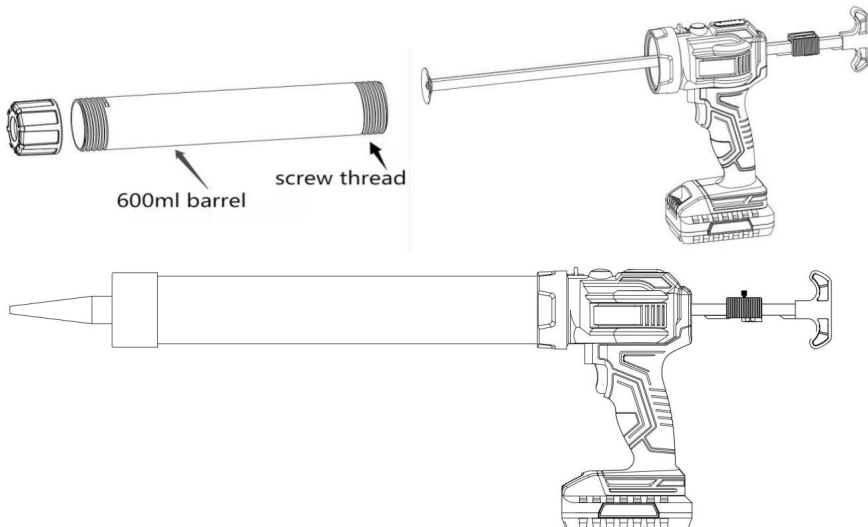
Um den 300ml Kartuschenzylinder zu entfernen, ziehen Sie leicht den Zylinderwechselschalter

nach hinten, gleichzeitig Lauf um 90° drehen

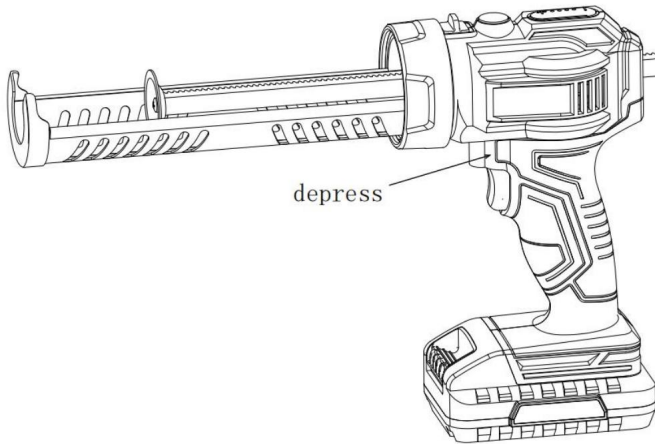
und ziehen Sie es heraus.



Um einen 600-ml-Kartuschenzylinder zu installieren, drehen Sie den Zylinder direkt.



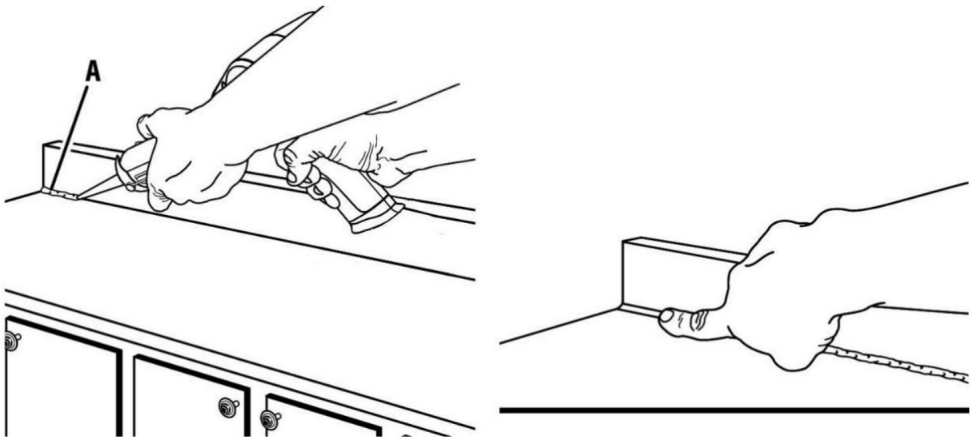
### 3. STARTEN/STOPPEN DER DICHTPISTOLE



Um die Kartuschenpistole einzuschalten, drücken Sie den Auslöseschalter.

Um die Kartuschenpistole auszuschalten, lassen Sie den Auslöseschalter los.

### 4. Auftragen von Dichtungsmasse



Entfernen Sie Staub, Schmutz oder Reste alter Versiegelung. Stellen Sie sicher, dass der zu versiegelnde Bereich

Die Dichtungsmasse ist sauber und trocken.

Halten Sie die Pistole leicht schräg. Wenn Sie einen Riss füllen, führen Sie die Tülle in den Riss ein, wenn

möglich, andernfalls führen Sie die Kartuschenpistole entlang der Oberfläche.

Drücken Sie den Abzug, damit die Dichtungsmasse aus der Tubenspitze herausströmen kann.

Wenn die Dichtungsraupe zu schmal ist, schneiden Sie die Düse erneut zu, um eine größere Öffnung zu erhalten.

Es ist jedoch besser, eine dünne Schicht Dichtungsmasse aufzutragen und bei Bedarf etwas mehr hinzuzufügen.

als zu viel aufzutragen und zu versuchen, den Überschuss zu entfernen.

Wenn es blockiert ist, können Sie den Schalter loslassen und die Kolbenstange wird

automatisch entsperren und zurückfahren, überprüfen Sie Folgendes und stellen Sie sicher, dass:

Die Düsenspitze ist abgeschnitten.

Die innere Dichtung in der Kartusche ist gebrochen.

Ausgehärtetes Material wird aus der Düse entfernt.

Die Kartusche ist nicht beschädigt oder gefroren.

Die Kolbenstange ist frei von Dichtungs-/Klebstoffen.

Wenn der Motor weiterhin aussetzt, versuchen Sie es mit einer anderen Materialtülle oder bringen Sie das Werkzeug zu einem

Wenden Sie sich an einen autorisierten Kundendienst.

Bewegen Sie die Kartuschenpistole vorsichtig und mit gleichmäßiger Geschwindigkeit entlang der zu füllenden Lücke, während Sie

Drücken Sie den Schalter weiter. Stellen Sie sicher, dass die Dichtungsmasse vollständig aufliegt

mit beiden Auftragsflächen. Drücken Sie ggf. mit dem Finger leicht auf die

In eine Ecke oder einen Riss abdichten.

## WARTUNG

Verwenden Sie bei Wartungsarbeiten nur identische Ersatzteile. Die Verwendung anderer Teile kann

eine Gefahr darstellen oder zu Produktschäden führen.

Um schwere Verletzungen zu vermeiden, entfernen Sie immer die Batterien aus dem Produkt

beim Reinigen oder Durchführen von Wartungsarbeiten.

Vermeiden Sie die Verwendung von Lösungsmitteln beim Reinigen von Kunststoffteilen. Die meisten Kunststoffe sind anfällig für

Schäden durch verschiedene Arten von kommerziellen Lösungsmitteln und können durch ihre

Verwendung. Verwenden Sie saubere Tücher, um Schmutz, Staub, Öl, Fett usw. zu entfernen.

Lassen Sie niemals Bremsflüssigkeiten, Benzin, Produkte auf Erdölbasis, Kriechöle usw. mit Kunststoffteilen in Berührung kommen.

Chemikalien können Kunststoff beschädigen, schwächen oder zerstören, was zu schweren Verletzungen führen kann.

**Hersteller:** Shanghaimuxinmuyeyouxiangongsi

**Adresse:** Shuangchenglu 803nong11hao1602A-1609shi, Baoshanqu, Shanghai  
200000 CN.

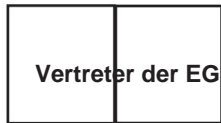
**Nach AUS importiert:** SIHAO PTY LTD. 1 ROKEVA STREETEASTWOOD NSW 2122  
Australien

**Importiert in die USA:** Sanven Technology Ltd. Suite 250, 9166 Anaheim Place, Rancho  
Cucamonga, CA 91730



YH CONSULTING LIMITED.

C/O YH Consulting Limited Office 147, Centurion  
Haus, London Road, Staines-upon-Thames,  
Surrey, TW18 4AX



E-CrossStu GmbH

Mainzer Landstr.69,  
60329 Frankfurt am Main.



**VEVOR**®

**TOUGH TOOLS, HALF PRICE**

**Technischer Support und E-Garantie-Zertifikat**

**[www.vevor.com/support](http://www.vevor.com/support)**

# **VEVOR<sup>®</sup>**

## **TOUGH TOOLS, HALF PRICE**

Supporto tecnico e certificato di garanzia

elettronica [www.vevor.com/support](http://www.vevor.com/support)

### **PISTOLA PER CALACATTATURE SENZA FILI**

### **MODELLO:Q0V-CX51-20**

Continuiamo a impegnarci per fornirvi strumenti a prezzi competitivi.

"Risparmia la metà", "Metà prezzo" o qualsiasi altra espressione simile da noi utilizzata rappresenta solo una stima del risparmio che potresti ottenere acquistando determinati utensili con noi rispetto ai principali marchi principali e non necessariamente intende coprire tutte le categorie di utensili da noi offerti. Ti ricordiamo cortesemente di verificare attentamente quando effettui un ordine con noi se stai effettivamente risparmiando la metà rispetto ai principali marchi principali.

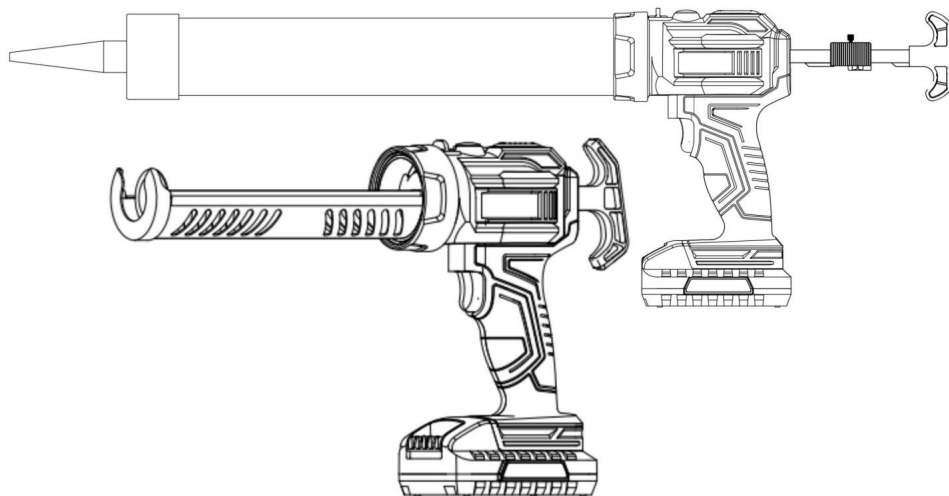


# VEVOR®

TOUGH TOOLS, HALF PRICE

PISTOLA PER CALACATTATURE SENZA FILI

MODELLO: Q0V-CX51-20



**HAI BISOGNO DI AIUTO? CONTATTACI!**

Hai domande sui prodotti? Hai bisogno di supporto tecnico? Non esitare a contattarci:

**Supporto tecnico e certificato di garanzia  
elettronica [www.vevor.com/support](http://www.vevor.com/support)**

Questa è l'istruzione originale, si prega di leggere attentamente tutte le istruzioni del manuale prima di utilizzare. VEVOR si riserva una chiara interpretazione del nostro manuale utente. L'aspetto del prodotto sarà soggetto al prodotto ricevuto. Vi preghiamo di perdonarci se non vi informeremo di nuovo se ci sono aggiornamenti tecnologici o software sul nostro prodotto.

	<b>Attenzione:</b> per ridurre il rischio di lesioni, gli utenti devono leggere le istruzioni manuale con attenzione.
	<b>Attenzione:</b> indossare sempre protezioni per gli occhi quando si utilizza questo prodotto.
	<b>Attenzione:</b> assicurarsi di indossare guanti quando si utilizza questo prodotto.
 	<b>SMALTIMENTO CORRETTO</b> Questo prodotto è soggetto alle disposizioni della Direttiva Europea 2012/19/CE. Il simbolo raffigurante un bidone della spazzatura barrato indica che il prodotto richiede una raccolta differenziata dei rifiuti Unione Europea. Ciò si applica al prodotto e a tutti gli accessori contrassegnati con questo simbolo. I prodotti contrassegnati come tali non possono essere smaltiti con i normali rifiuti domestici ma deve essere portato in un punto di raccolta per il riciclaggio di apparecchiature elettriche ed elettroniche.
	<b>Dichiarazione della FCC:</b> Questo dispositivo è conforme alla Parte 15 delle Norme FCC. Il funzionamento è soggetto alle due condizioni seguenti: (1) Questo dispositivo non può causare interferenze dannose e (2) questo dispositivo deve accettare qualsiasi interferenza ricevuti, comprese le interferenze che potrebbero causare un funzionamento indesiderato.

## IMPORTANTI AVVERTENZE DI SICUREZZA

**ATTENZIONE:** leggere tutte le avvertenze di sicurezza, le istruzioni, le illustrazioni e le specifiche

fornito con questo elettroutensile. La mancata osservanza di tutte le istruzioni elencate di seguito può causare scosse elettriche, incendi e/o gravi lesioni. Conservare tutte le avvertenze e le istruzioni per riferimento futuro. Il termine "utensile elettrico" nelle istruzioni di sicurezza si riferisce al tuo Pistola per silicone senza fili.

### Sicurezza sul posto di lavoro

a) Mantenere l'area di lavoro pulita e ben illuminata. Le aree disordinate o buie favoriscono gli incidenti.

b) Non utilizzare utensili elettrici in atmosfere esplosive, come ad esempio in presenza di liquidi, gas o polvere infiammabili. Gli utensili elettrici creano scintille che possono incendiarsi la polvere o i fumi.

c) Tenere lontani i bambini e gli astanti mentre si utilizza un elettro utensile. Distrazioni può farti perdere il controllo.

## **Sicurezza elettrica**

a) Le spine degli utensili elettrici devono essere adatte alla presa. Non modificare mai la spina in alcun modo. non utilizzare adattatori con utensili elettrici con messa a terra. Spine non modificate e prese corrispondenti ridurranno il rischio di scosse elettriche. b)

Evitare il contatto del corpo con superfici messe a terra o a massa, come tubi, radiatori, fornelli e frigoriferi.

C'è un rischio maggiore di scosse elettriche se il corpo è messa a terra o messa a

terra. c) Non esporre gli utensili elettrici alla pioggia o a condizioni di bagnato. L'acqua che penetra in un utensile elettrico aumenterà il rischio di scosse elettriche.

d) Non abusare del cavo. Non utilizzare mai il cavo per trasportare, tirare o scollegare l'utensile elettrico. Tenere il cavo lontano da calore, olio, bordi taglienti o parti in movimento.

I cavi danneggiati o aggrovigliati aumentano il rischio di scosse elettriche. e) Quando si utilizza un elettro utensile all'aperto, utilizzare una prolunga adatta per uso esterno. L'uso di un cavo adatto all'uso esterno riduce il rischio di scosse elettriche. shock.

f) Se è inevitabile utilizzare un elettro utensile in un luogo umido, utilizzare un'alimentazione protetta da dispositivo di corrente (RCD). L'uso di un RCD riduce il rischio di scosse elettriche shock.

## **Sicurezza personale**

a) Rimani vigile, guarda cosa stai facendo e usa il buon senso quando gestisci un elettro utensile. Non utilizzare un elettro utensile quando si è stanchi o sotto l'effetto di droghe, alcol o farmaci. Un momento di disattenzione durante l'uso di utensili elettrici può causare gravi lesioni personali. b) Utilizzare dispositivi di protezione individuale. Indossare sempre protezioni per gli occhi. attrezzature come maschera antipolvere, scarpe antinfortunistiche antiscivolo, casco o udito protezione utilizzata per le condizioni appropriate ridurrà i danni personali. c) Prevenire l'avviamento involontario. Assicurarsi che l'interruttore sia in posizione di spegnimento prima collegamento alla fonte di alimentazione e/o alla batteria, sollevamento o trasporto dell'utensile. Trasportare utensili elettrici tenendo il dito sull'interruttore o alimentare utensili elettrici che

tenere l'interruttore acceso favorisce gli incidenti.

d) Rimuovere qualsiasi chiave di regolazione o chiave inglese prima di accendere l'utensile elettrico. Una chiave inglese o una chiave lasciata attaccata a una parte rotante dell'utensile elettrico può causare lesioni personali

infortunio. e) Non sporgersi troppo. Mantenere sempre un appoggio e un equilibrio adeguati. Ciò consente migliore controllo dell'utensile elettrico in situazioni impreviste.

f) Vestitevi in modo appropriato. Non indossate abiti larghi o gioielli. Tenete i capelli e vestiti lontano dalle parti in movimento. Vestiti larghi, gioielli o capelli lunghi possono essere intrappolati in parti in movimento.

g) Se sono previsti dispositivi per il collegamento di sistemi di aspirazione e raccolta della polvere strutture, assicurarsi che siano collegate e utilizzate correttamente. Utilizzo di sistemi di raccolta della polvere può ridurre i rischi legati alla polvere.

h) Non lasciare che la familiarità acquisita con l'uso frequente degli strumenti ti permetta di diventare compiacenti e ignorano i principi di sicurezza degli utensili. Un'azione negligente può causare gravi lesioni in una frazione di secondo.

## **Uso e cura degli utensili elettrici**

a) Non forzare l'utensile elettrico. Utilizzare l'utensile elettrico corretto per la propria applicazione.

l'utensile elettrico corretto svolgerà il lavoro meglio e in modo più sicuro alla velocità per cui è stato progettato progettato. b)

Non utilizzare l'utensile elettrico se l'interruttore non lo accende e spegne. Qualsiasi utensile elettrico che non può essere controllato con l'interruttore è pericoloso e deve essere riparato. c) Scollegare la spina dalla fonte di alimentazione e/o rimuovere il pacco batteria, se

staccabile, dall'utensile elettrico prima di effettuare qualsiasi regolazione, sostituzione accessori o per riporre gli utensili elettrici. Tali misure preventive di sicurezza riducono la rischio di avvio accidentale dell'utensile elettrico. d)

Conservare gli utensili elettrici inutilizzati fuori dalla portata dei bambini e non consentirne l'uso a persone non hanno familiarità con l'utensile elettrico o con le presenti istruzioni per l'uso dell'utensile elettrico.

Gli utensili elettrici sono pericolosi nelle mani di utenti non addestrati. e) Mantenere gli utensili elettrici e gli accessori. Controllare che non vi siano disallineamenti o inceppamenti di parti in movimento, rottura di parti e qualsiasi altra condizione che possa influire sulla potenza funzionamento dell'utensile. Se danneggiato, far riparare l'utensile elettrico prima dell'uso. Molti gli incidenti sono causati da utensili elettrici sottoposti a scarsa manutenzione.

f) Mantenere gli utensili da taglio affilati e puliti. Utensili da taglio adeguatamente mantenuti con affilatura i bordi taglienti hanno meno probabilità di incepparsi e sono più facili da controllare.

g) Utilizzare l'utensile elettrico, gli accessori e le punte degli utensili ecc. in conformità con queste istruzioni, tenendo conto delle condizioni di lavoro e del lavoro da svolgere eseguito. L'uso dell'utensile elettrico per operazioni diverse da quelle previste potrebbe provocare una situazione pericolosa.

h) Mantenere le maniglie e le superfici di presa asciutte, pulite e prive di olio e grasso. Le maniglie e le superfici di presa scivolose non consentono una manipolazione e un controllo sicuri dello strumento in situazioni impreviste.

## **Servizio**

a) Far riparare l'elettrostrumento da un tecnico qualificato utilizzando solo pezzi identici parti di ricambio. Ciò garantirà che la sicurezza dell'utensile elettrico sia mantenuta.

## **Istruzioni di sicurezza per utensili elettrici a batteria**

1. impedire l'avvio involontario. Assicurarsi che l'interruttore sia in posizione off prima collegamento al pacco batteria, sollevamento o trasporto dell'utensile elettrico. Trasporto del elettrostrumento con il tuo

dito sull'interruttore o sull'elettrostrumento che ha l'interruttore acceso invita incidenti.

2. Scollegare il pacco batteria dall'utensile elettrico prima di effettuare qualsiasi regolazione, cambiare accessori o riporre l'utensile elettrico. Tali misure di sicurezza preventive ridurre il rischio di avvio accidentale dell'elettrostrumento.

3. Ricaricare solo con il caricabatterie specificato dal produttore. Un caricabatterie che sia adatto per un tipo di batteria può creare un rischio di incendio se utilizzato con un altro pacco batteria.

4. Utilizzare utensili elettrici solo con pacchi batteria specificatamente designati. L'uso di qualsiasi altri pacchi batteria possono creare un rischio di lesioni e incendio

5. Quando la batteria non è in uso, tenerla lontana da altri oggetti metallici, come graffette, monete, chiavi, chiodi, viti o altri piccoli oggetti metallici, che possono creare una connessione da un terminale all'altro. Cortocircuitando i terminali della batteria insieme può causare ustioni o incendi.

6. In condizioni di utilizzo improprio, il liquido potrebbe fuoriuscire dalla batteria; evitare il contatto. In caso di contatto accidentale, sciacquare con acqua. Se il liquido entra in contatto con gli occhi, cercare assistenza medica. Il liquido espulso dalla batteria può causare irritazioni o ustioni.

7. Non utilizzare un pacco batteria o un elettrostrumento danneggiato o modificato. Danneggiato o le batterie modificate possono presentare un comportamento imprevedibile che può causare incendi, esplosioni o rischio di lesioni.

8. Non esporre la batteria o l'utensile elettrico al fuoco o a temperature eccessive.

L'esposizione al fuoco o a temperature superiori a 265 °F può causare esplosioni.

9. Seguire tutte le istruzioni di ricarica e non caricare la batteria o l'elettrodomestico al di fuori dell'intervallo di temperatura specificato nelle istruzioni. Carica non corretta o a

temperature al di fuori dell'intervallo specificato possono danneggiare la batteria e aumentare il rischio di incendio.

10. Far eseguire la manutenzione da un riparatore qualificato utilizzando solo pezzi di ricambio identici parti di ricambio. Ciò garantirà che la sicurezza del prodotto sia mantenuta.

11. Non modificare o tentare di riparare l'utensile elettrico o la batteria, salvo quanto indicato nelle istruzioni per l'uso e la cura.

12. Il caricabatterie si riscalda durante l'uso. Il calore del caricabatterie può accumularsi fino a livelli non sicuri e creare un rischio di incendio se non riceve una ventilazione adeguata, a causa di un guasto elettrico o se viene utilizzato in un ambiente caldo. Non posizionare il Caricabatterie su una superficie infiammabile. Non ostruire le prese d'aria del caricabatterie. Evitare in particolare di posizionare il caricabatterie su tappeti e moquette; non sono solo infiammabili, ma ostruiscono anche le prese d'aria sotto il caricabatterie. Posizionare il caricabatterie su una superficie stabile, solida e non infiammabile (come un banco da lavoro in metallo stabile o pavimento in cemento) ad almeno 1 piede di distanza da tutti gli oggetti infiammabili, come tende o pareti. Tenere un estintore e un rivelatore di fumo nella zona. Frequentemente monitorare il caricabatterie e la batteria durante la ricarica.

13. Avvertenze di sicurezza per le batterie al litio **LE BATTERIE AL LITIO CONSERVANO UNA GRANDE QUANTITÀ DI ENERGIA E PROVOCERÀ INCENDI O ESPLODERÀ SE TRATTATA MALAMENTE:**

a. Mantenere il pacco batteria

asciutto. b. **NON EFFETTUARE NESSUNA DELLE SEGUENTI OPERAZIONI SUL PACCO BATTERIA:** •

Aprire, • Far cadere, • Cortocircuitare, • Forare, • Incenerire, o • Esporre a temperature superiori superiore a 265°F.

c. Caricare la batteria solo secondo le istruzioni del caricabatterie. d. Ispezionare la batteria prima di ogni utilizzo; non utilizzarla o caricarla se danneggiata.

### **Altre norme di sicurezza**

• Mantenere l'area di lavoro pulita e ben illuminata. Le aree disordinate o buie favoriscono gli

incidenti. • Non utilizzare utensili elettrici in atmosfere esplosive, come in presenza di

di liquidi, gas o polvere infiammabili. Gli utensili elettrici creano scintille che possono incendiarsi la polvere o i fumi.

- ÿ Tenere lontani i bambini e gli astanti mentre si utilizza un elettro utensile. Distrazioni può farti perdere il controllo.
- ÿ Rimani vigile, guarda cosa stai facendo e usa il buon senso quando gestisci un elettro utensile. Non utilizzare un elettro utensile quando si è stanchi o sotto l'effetto di droghe, alcol o medicinali.
- ÿ Utilizzare dispositivi di protezione individuale, come maschera antipolvere, dispositivi di sicurezza antiscivolo scarpe, casco o protezione acustica utilizzati per le condizioni appropriate ridurre i danni personali.
- ÿ Prevenire l'avvio involontario. Assicurarsi che l'interruttore sia in posizione off prima collegamento alla fonte di alimentazione e/o al pacco batteria, sollevamento o trasporto dell'utensile.
- ÿ Non sporgersi troppo. Mantenere sempre un appoggio e un equilibrio adeguati. Ciò consente migliore controllo dell'utensile elettrico in situazioni impreviste.
- ÿ Vestiti in modo appropriato. Non indossare abiti larghi o gioielli. Tieni i capelli e vestiti lontano dalle parti in movimento. Vestiti larghi, gioielli o capelli lunghi possono essere intrappolati nelle parti in movimento.
- ÿ Quando la batteria non è in uso, tenerla lontana da altri oggetti metallici, come la carta fermagli, monete, chiavi, chiodi, viti o altri piccoli oggetti metallici, che possono creare un collegamento da un terminale all'altro.
- ÿ Far riparare l'elettro utensile da un tecnico qualificato utilizzando solo pezzi identici parti di ricambio. Ciò garantirà la sicurezza dell'utensile elettrico mantenuto.

## **SALVA QUESTE ISTRUZIONI**

## PARAMETRI TECNICI

<b>Modello</b>	Modello Q0V-CX51-20
<b>Tensione nominale:</b>	20V
<b>Velocità di calafataggio:</b>	1-4 mm/secondo
<b>Corrente di lavoro:</b>	1A
<b>Corrente LED:</b>	200 mA (solo per canna corta da 300 ml)
<b>Lumen LED:</b>	400-450LM (solo per canna corta da 300 ml)
<b>Pressione di esercizio:</b>	270 kg
<b>Orario di lavoro:</b>	4 ore
<b>Temperatura colore LED:</b>	6000-6500K (solo per canna corta da 300 ml)
<b>Display a colori a LED:</b>	70-75Ra (solo per canna corta da 300 ml)

## DESCRIZIONE FUNZIONALE

### 1. APPLICAZIONI

• È possibile utilizzare questo strumento per i seguenti scopi:

• Sigillare le crepe per mantenere l'aria condizionata della casa all'interno mantenendola aria non condizionata all'esterno, aumentando l'efficienza energetica della tua casa.

• Riempire buchi e crepe prima di verniciare. •

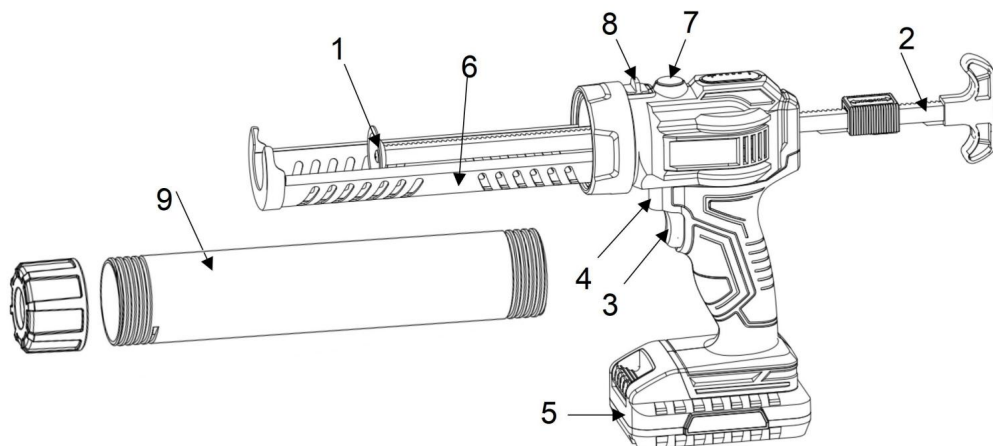
Creare una barriera contro l'umidità attorno alle aree che potrebbero essere danneggiate

dall'acqua. • Sigillare le crepe per impedire agli insetti di entrare in casa. •

Applicare l'adesivo.



## 2. DETTAGLI DEL PRODOTTO



1. Asta dello stantuffo

2. Maniglia dell'asta dello stantuffo

3. Pulsante di avvio

4. Interruttore a grilletto 5.

Batteria

6. Barile corto da 300 ml

7. Interruttore della

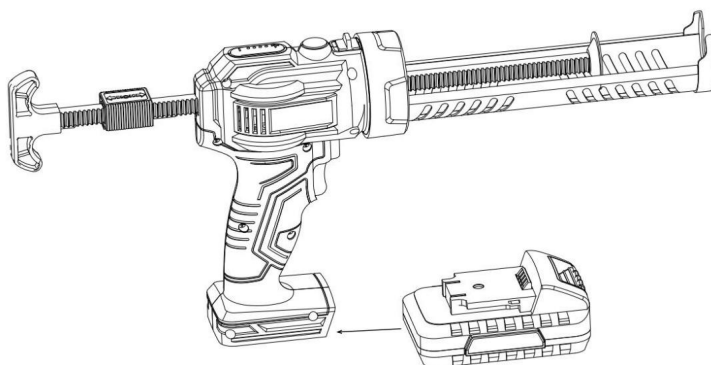
luce 8. Interruttore di sostituzione della

canna 9. Canna lunga da 600 ml

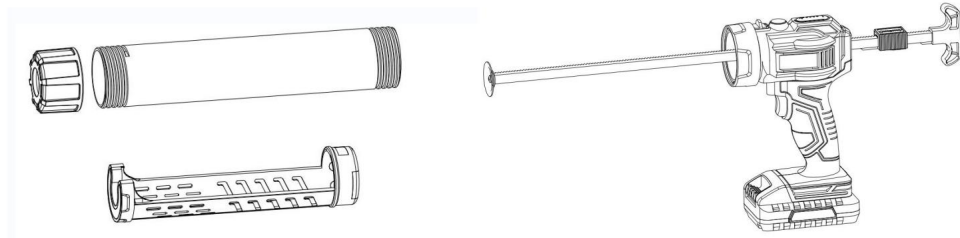
## ISTRUZIONI PER L'USO

### 1. PER INSTALLARE LA BATTERIA

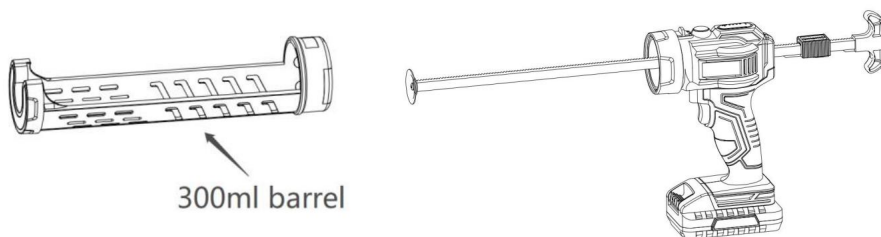
Spingere la batteria sul fondo della pistola.



## 2. PER INSTALLARE E SOSTITUIRE LA CANNA

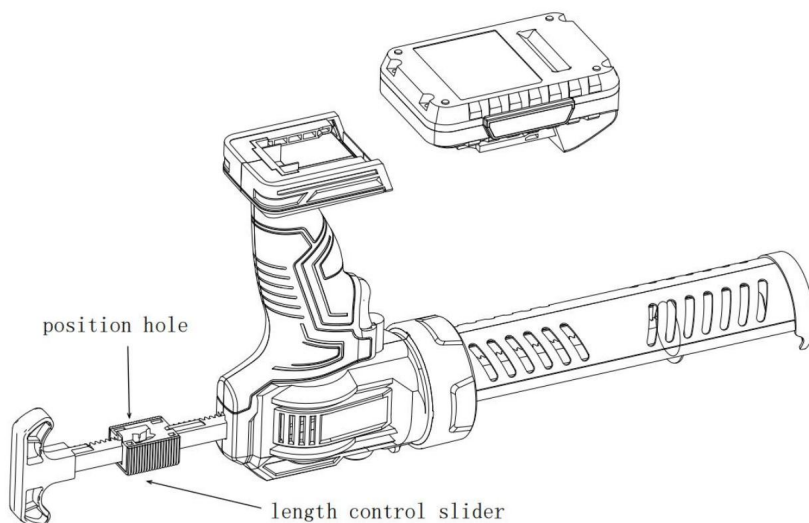


Per installare la canna della cartuccia da 300 ml, basta inserire la canna nella baionetta con un angolo di 90° e ruotarla indietro fino a sentire un suono, ovvero il fissaggio è completato.

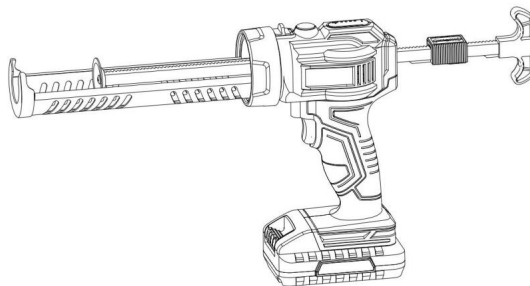


Inoltre, è necessario modificare la lunghezza dell'asta dello stantuffo per adattarla al cilindro da 300 ml.

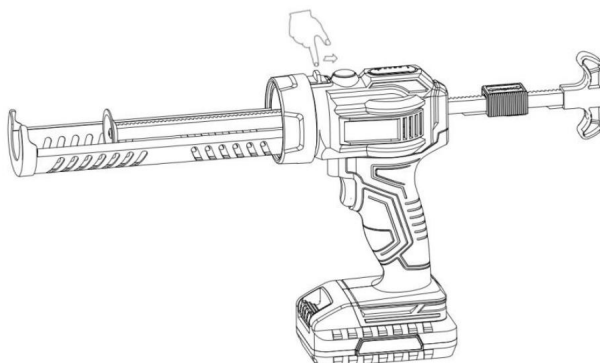
Come mostrato nella figura seguente, far scorrere il cursore di controllo della lunghezza verso sinistra finché non si blocca nel foro di posizione e non può muoversi in avanti.



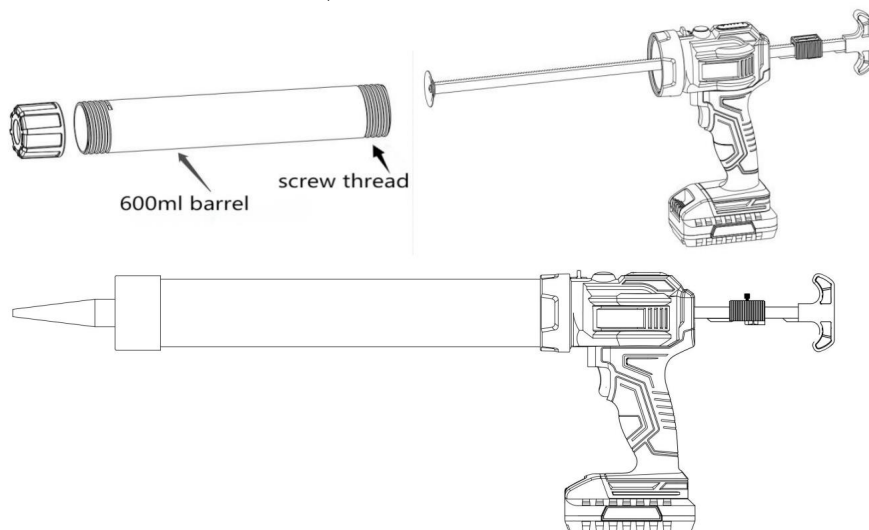
In questo modo otterrai una pistola per colla da 300 ml.



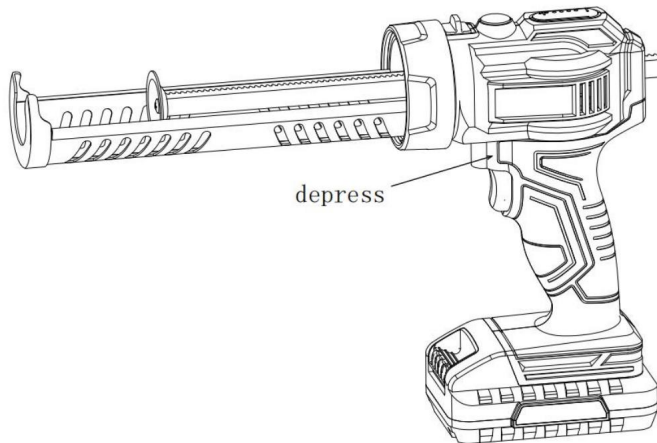
Per rimuovere la cartuccia da 300 ml, tirare leggermente l'interruttore di sostituzione della cartuccia indietro, ruotando contemporaneamente la canna di 90° e tirarlo fuori.



Per installare la cartuccia da 600 ml, ruotare direttamente la canna.



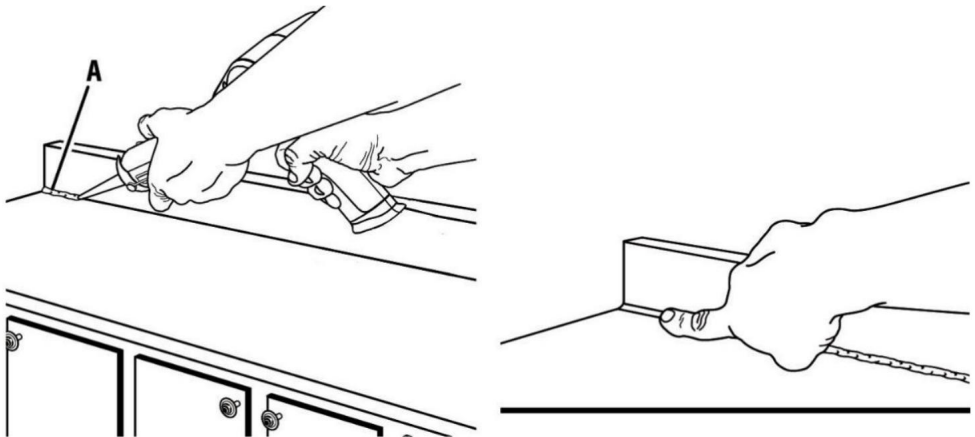
### 3. AVVIO/ARRESTO DELLA PISTOLA PER CALACATTATURE



Per accendere la pistola per silicone, premere il grilletto dell'interruttore.

Per spegnere la pistola per silicone, rilasciare il grilletto dell'interruttore.

### 4. APPLICAZIONE DEL CALCESTRUZZO



Rimozione di polvere, sporizia o resti di vecchia sigillatura. Assicurarsi che l'area da calafataggio è pulito e asciutto.

Tieni la pistola leggermente inclinata. Se stai riempiendo una crepa, inserisci il beccuccio nella crepa se possibile; in caso contrario, far scorrere la pistola per calafataggio lungo la superficie.

Premere il grilletto per far fuoriuscire il mastice dalla punta del tubo.

Se il cordone di stucco è troppo stretto, tagliare nuovamente l'ugello per ottenere un'apertura più grande.

Tuttavia, è meglio applicare uno strato sottile di stucco e aggiungerne un po' di più se necessario.

piuttosto che applicarne troppo e tentare di rimuovere l'eccesso.

Se è bloccato, è possibile rilasciare il grilletto dell'interruttore e l'asta di immersione verrà

sbloccare e arretrare automaticamente, controllare e assicurarsi che:

La punta dell'ugello è tagliata.

La guarnizione interna del tubo di sigillatura è rotta.

Il materiale indurito viene rimosso dall'ugello.

Il tubo di calafataggio non è danneggiato o congelato.

L'asta dello stantuffo è priva di materiali adesivi/sigillanti.

Se il motore continua a spegnersi, provare un altro tubo di materiale o portare l'utensile in un centro di assistenza autorizzato.

Muovi con attenzione la pistola per calafataggio a un ritmo uniforme lungo lo spazio da riempire mentre continuare a premere il grilletto dell'interruttore. Assicurarsi che il mastice entri in pieno contatto con entrambe le superfici di applicazione. Se necessario, utilizzare il dito per premere delicatamente la sigillare un angolo o una crepa.

## MANUTENZIONE

Durante la manutenzione, utilizzare solo parti di ricambio identiche. L'uso di altre parti potrebbe creare un pericolo o danneggiare il prodotto.

Per evitare gravi lesioni personali, rimuovere sempre le batterie dal prodotto durante la pulizia o durante qualsiasi intervento di manutenzione.

Evitare di usare solventi quando si puliscono parti in plastica. La maggior parte delle plastiche è suscettibile a danni da vari tipi di solventi commerciali e possono essere danneggiati dai loro utilizzare. Utilizzare indumenti puliti per rimuovere sporco, polvere, olio, grasso, ecc.

Non lasciare mai che liquidi per freni, benzina, prodotti a base di petrolio, oli penetranti, ecc., entrino in contatto con le parti in plastica. Le sostanze chimiche possono danneggiare, indebolire o distruggere la plastica, il che può causare gravi lesioni personali.

**Produttore:** Shanghaimuxinmuyeyouxiangongsi

**Indirizzo:** Shuangchenglu 803nong11hao1602A-1609shi, baoshanqu, shanghai  
200000 NC.

**Importato in AUS:** SIHAO PTY LTD. 1 ROKEVA STREETEASTWOOD NSW 2122  
Australia

**Importato negli USA:** Sanven Technology Ltd. Suite 250, 9166 Anaheim Place, Rancho  
Cucamonga, CA 91730

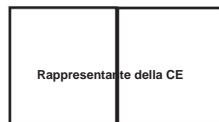


CONSULENZA YH LIMITATA.

C/O YH Consulting Limited Ufficio 147, Centurion

Casa, London Road, Staines-upon-Thames,

Viale della Vittoria, 18/A



E-CrossStu GmbH

Magonza Landstr.69,

60329 Francoforte sul Meno.



**VEVOR<sup>®</sup>**

**TOUGH TOOLS, HALF PRICE**

**Supporto tecnico e certificato di garanzia  
elettronica [www.vevor.com/support](http://www.vevor.com/support)**



# **VEVOR<sup>®</sup>**

## **TOUGH TOOLS, HALF PRICE**

Soporte técnico y certificado de garantía

electrónica [www.vevor.com/support](http://www.vevor.com/support)

### **PISTOLA DE CALAFATEO INALÁMBRICA**

### **MODELO: Q0V-CX51-20**

Seguimos comprometidos a brindarle herramientas a precios competitivos.

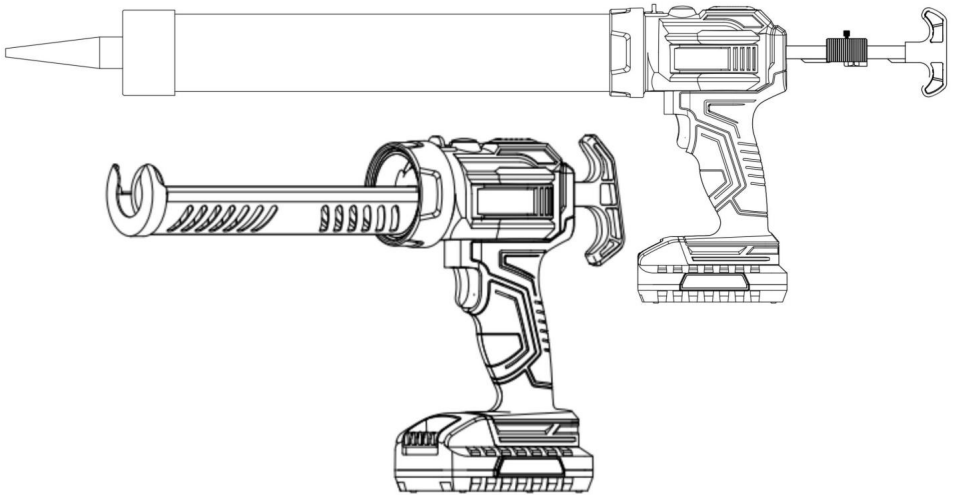
"Ahorre la mitad", "mitad de precio" o cualquier otra expresión similar que utilicemos solo representa una estimación del ahorro que podría obtener al comprar ciertas herramientas con nosotros en comparación con las principales marcas y no necesariamente significa que cubra todas las categorías de herramientas que ofrecemos. Le recordamos que, al realizar un pedido con nosotros, verifique cuidadosamente si realmente está ahorrando la mitad en comparación con las principales marcas.

# VEVOR®

TOUGH TOOLS, HALF PRICE

PISTOLA DE CALAFATEO INALÁMBRICA

MODELO: Q0V-CX51-20



¿NECESITA AYUDA? ¡CONTÁCTENOS!

¿Tiene preguntas sobre el producto? ¿Necesita asistencia técnica? No dude en ponerse en contacto con nosotros:

Soporte técnico y certificado de garantía  
electrónica [www.vevor.com/support](http://www.vevor.com/support)

Estas son las instrucciones originales, lea atentamente todas las instrucciones del manual antes de utilizar el producto. VEVOR se reserva una interpretación clara de nuestro manual de usuario. La apariencia del producto estará sujeta al producto que recibió. Perdónenos por no informarle nuevamente si hay actualizaciones de tecnología o software en nuestro producto.

	<p>Advertencia: Para reducir el riesgo de lesiones, los usuarios deben leer las instrucciones.</p> <p>Lea el manual con cuidado.</p>
	<p>Advertencia: Asegúrese de usar protectores para los ojos cuando utilice este producto.</p>
	<p>Advertencia: Asegúrese de usar guantes al utilizar este producto.</p>
	<p><b>ELIMINACIÓN CORRECTA</b></p> <p>Este producto está sujeto a las disposiciones de la Directiva Europea 2012/19/CE. El símbolo que muestra un contenedor de basura tachado indica que el producto requiere recogida selectiva de residuos en el Unión Europea. Esto se aplica al producto y a todos los accesorios.</p> <p>marcados con este símbolo. Los productos marcados como tal no pueden desecharse con la basura doméstica normal, sino que deben llevarse a un Punto de recogida para el reciclaje de aparatos eléctricos y electrónicos.</p>
	<p>Declaración de la FCC:</p> <p>Este dispositivo cumple con la Parte 15 de las Normas de la FCC. Su funcionamiento es sujeto a las dos condiciones siguientes: (1) Este dispositivo no puede causar interferencia dañina, y (2) este dispositivo debe aceptar cualquier interferencia recibidas, incluidas las interferencias que puedan provocar un funcionamiento no deseado.</p>

## ADVERTENCIAS DE SEGURIDAD IMPORTANTES

**ADVERTENCIA:** Lea todas las advertencias de seguridad, instrucciones, ilustraciones y especificaciones.

se suministra con esta herramienta eléctrica. Si no se siguen todas las instrucciones que se indican a continuación, puede provocar descargas eléctricas, incendios y/o lesiones graves. Guarde todas las advertencias e instrucciones.

Para futuras referencias. El término "herramienta eléctrica" en las instrucciones de seguridad se refiere a su Pistola de calafateo inalámbrica.

Seguridad en el área de trabajo

a) Mantenga el área de trabajo limpia y bien iluminada. Las áreas desordenadas u oscuras son una invitación a los accidentes.

- b) No utilice herramientas eléctricas en atmósferas explosivas, como en presencia de líquidos, gases o polvos inflamables. Las herramientas eléctricas generan chispas que pueden provocar incendios. el polvo o los humos.
- c) Mantenga a los niños y a las personas que se encuentren cerca de usted alejados mientras utiliza una herramienta eléctrica. Distracciones Puede hacer que pierdas el control.

## Seguridad eléctrica

- a) Los enchufes de las herramientas eléctricas deben coincidir con la toma de corriente. Nunca modifique el enchufe de ninguna manera. No utilice ningún enchufe adaptador con herramientas eléctricas conectadas a tierra. Enchufes sin modificar y las tomas de corriente adecuadas reducirán el riesgo de descarga eléctrica.
- b) Evite el contacto del cuerpo con superficies conectadas a tierra, como tuberías, radiadores, cocinas y refrigeradores. Existe un mayor riesgo de descarga eléctrica si su cuerpo está
- c) No exponga las herramientas eléctricas a la lluvia ni a condiciones húmedas. El agua que entra en una herramienta eléctrica aumentará el riesgo de descarga eléctrica.
- d) No maltrate el cable. Nunca lo utilice para transportar, tirar o desenchufar. la herramienta eléctrica. Mantenga el cable alejado del calor, aceite, bordes afilados o piezas móviles. Los cables dañados o enredados aumentan el riesgo de descarga eléctrica. e) Cuando utilice una herramienta eléctrica al aire libre, utilice un cable de extensión adecuado Uso en exteriores. El uso de un cable apto para uso en exteriores reduce el riesgo de descarga eléctrica. choque.
- f) Si es inevitable utilizar una herramienta eléctrica en un lugar húmedo, utilice un limpiador residual. Dispositivo de protección diferencial (RCD) para suministro de corriente. El uso de un RCD reduce el riesgo de descarga eléctrica. choque.

## Seguridad personal

- a) Manténgase alerta, preste atención a lo que hace y use el sentido común al operar un vehículo. herramienta eléctrica. No utilice una herramienta eléctrica si está cansado o bajo la influencia de Drogas, alcohol o medicamentos. Un momento de distracción mientras se manejan herramientas eléctricas. puede provocar lesiones personales graves. b) Utilice equipo de protección personal. Utilice siempre protección para los ojos. Equipo como mascarilla antipolvo, calzado de seguridad antideslizante, casco o audífonos. La protección utilizada para las condiciones adecuadas reducirá las lesiones personales. c) Evite el arranque involuntario. Asegúrese de que el interruptor esté en la posición de apagado antes de conectar a la fuente de alimentación y/o paquete de baterías, levantar o transportar la herramienta. Llevar herramientas eléctricas con el dedo en el interruptor o energizar herramientas eléctricas que

Tener el interruptor encendido invita a los accidentes.

d) Retire cualquier llave de ajuste o llave inglesa antes de encender la herramienta eléctrica. Una llave inglesa o dejar una llave colocada en una parte giratoria de la herramienta eléctrica puede provocar lesiones personales.

e) No

se estire demasiado. Mantenga el equilibrio y la posición correcta en todo momento. Esto le permitirá Mejor control de la herramienta eléctrica en situaciones inesperadas.

f) Vístase adecuadamente. No use ropa suelta ni joyas. Mantenga su cabello y

Mantenga la ropa alejada de las piezas móviles. La ropa suelta, las joyas o el pelo largo pueden atrapado en partes móviles. g) Si

se proporcionan dispositivos para la conexión de extracción y recolección de polvo

Instalaciones, asegúrese de que estén conectadas y se utilicen correctamente. Uso de sistemas de recolección de polvo Puede reducir los peligros relacionados con el polvo.

h) No permita que la familiaridad adquirida con el uso frecuente de herramientas le haga volverse

complacientes e ignoran los principios de seguridad de las herramientas. Una acción descuidada puede causar graves lesión en una fracción de segundo.

Uso y cuidado de herramientas eléctricas

a) No fuerce la herramienta eléctrica. Utilice la herramienta eléctrica correcta para su aplicación.

La herramienta eléctrica correcta hará el trabajo mejor y de manera más segura a la velocidad para la que fue diseñada.

b) No utilice

la herramienta eléctrica si el interruptor no la enciende y apaga. Cualquier herramienta eléctrica

que no se pueda controlar con el interruptor es peligroso y debe repararse. c) Desconecte el enchufe de la fuente de alimentación y/o retire la batería, si es necesario.

desmontable, de la herramienta eléctrica antes de realizar cualquier ajuste, cambio

accesorios o almacenar herramientas eléctricas. Estas medidas de seguridad preventivas reducen el riesgo de

d) Guarde las herramientas eléctricas que no estén en uso

fuera del alcance de los niños y no permita que otras personas las utilicen.

no está familiarizado con la herramienta eléctrica o con estas instrucciones para operar la herramienta eléctrica.

Las herramientas eléctricas son peligrosas en manos de usuarios no capacitados. e)

Realice el mantenimiento de las herramientas eléctricas y sus accesorios. Compruebe si están desalineadas o atascadas. partes móviles, rotura de piezas y cualquier otra condición que pueda afectar la potencia

Funcionamiento de la herramienta eléctrica. Si está dañada, haga reparar la herramienta eléctrica antes de usarla.

Los accidentes son causados por herramientas eléctricas mal mantenidas.

f) Mantenga las herramientas de corte afiladas y limpias. Las herramientas de corte debidamente mantenidas y afiladas

Los bordes cortantes tienen menos probabilidades de atascarse y son más fáciles de controlar.

g) Utilice la herramienta eléctrica, los accesorios y las brocas, etc., de acuerdo con estas instrucciones, teniendo en cuenta las condiciones de trabajo y el trabajo a realizar realizado. El uso de la herramienta eléctrica para operaciones distintas a las previstas podría dar lugar a una situación peligrosa.

h) Mantener los mangos y superficies de agarre secos, limpios y libres de aceite y grasa. Los mangos resbaladizos y las superficies de agarre no permiten una manipulación y un control seguros de la herramienta en situaciones inesperadas.

## Servicio

a) Haga que un técnico de reparación calificado repare su herramienta eléctrica utilizando únicamente piezas idénticas. piezas de repuesto. Esto garantizará que se mantenga la seguridad de la herramienta eléctrica.

Instrucciones de seguridad para herramientas eléctricas a batería

1. Evite el arranque involuntario. Asegúrese de que el interruptor esté en la posición de apagado antes de... conectar la batería, levantar o transportar la herramienta eléctrica. Transportar la herramienta eléctrica con su dedo en el interruptor o herramienta eléctrica energizante que tenga el interruptor encendido invita accidentes.
2. Desconecte la batería de la herramienta eléctrica antes de realizar cualquier ajuste, cambiar accesorios o guardar la herramienta eléctrica. Estas medidas de seguridad preventivas reducir el riesgo de poner en marcha la herramienta eléctrica accidentalmente.
3. Recargue únicamente con el cargador especificado por el fabricante. Un cargador que sea Adecuado para un tipo de paquete de baterías, puede crear un riesgo de incendio cuando se usa con Otro paquete de baterías.
4. Utilice herramientas eléctricas únicamente con baterías específicamente designadas. El uso de cualquier Otros paquetes de baterías pueden crear riesgo de lesiones e incendio.
5. Cuando la batería no esté en uso, manténgala alejada de otros objetos metálicos, como clips, monedas, llaves, clavos, tornillos u otros objetos metálicos pequeños que puedan hacer Una conexión de un terminal a otro. Cortocircuito entre los terminales de la batería Puede provocar quemaduras o incendio.
6. En condiciones de uso abusivo, puede salir líquido de la batería; evite el contacto. Si se produce contacto accidental, enjuague con agua. Si el líquido entra en contacto con los ojos, Busque ayuda médica. El líquido expulsado de la batería puede causar irritación o quemaduras.
7. No utilice una batería o una herramienta eléctrica que esté dañada o modificada. o las baterías modificadas pueden presentar un comportamiento impredecible que resulte en incendio, explosión o riesgo de lesiones.

8. No exponga la batería ni la herramienta eléctrica al fuego ni a temperaturas excesivas.

La exposición al fuego o a temperaturas superiores a 265 °F puede provocar una explosión.

9. Siga todas las instrucciones de carga y no cargue la batería ni la herramienta eléctrica.

fuera del rango de temperatura especificado en las instrucciones. Carga incorrecta  
o en

Las temperaturas fuera del rango especificado pueden dañar la batería y aumentar  
el riesgo de incendio.

10. Haga que el servicio lo realice un técnico de reparación calificado utilizando únicamente piezas idénticas.  
piezas de repuesto. Esto garantizará que se mantenga la seguridad del producto.

11. No modifique ni intente reparar la herramienta eléctrica ni la batería, excepto según lo  
indicado en las instrucciones de uso y cuidado.

12. El cargador de batería se calienta durante el uso. El calor del cargador puede acumularse hasta  
niveles inseguros y crear un riesgo de incendio si no recibe ventilación adecuada, debido a una falla eléctrica o  
si se utiliza en un ambiente caluroso. No coloque el

Coloque el cargador sobre una superficie inflamable. No obstruya ninguna de las rejillas de ventilación del cargador.

Evite especialmente colocar el cargador sobre alfombras y tapetes; no solo son

inflamables, pero también obstruyen los conductos de ventilación debajo del cargador. Coloque el cargador sobre una superficie plana.

superficie estable, sólida y no inflamable (como un banco de trabajo de metal estable o

piso de concreto) al menos a 1 pie de distancia de todos los objetos inflamables, como cortinas o

paredes. Mantenga un extintor de incendios y un detector de humo en el área.

Monitorear el cargador y la batería mientras se cargan.

13. Advertencias de seguridad sobre baterías de litio LAS BATERÍAS DE LITIO ALMACENAN UNA GRAN CANTIDAD  
CANTIDAD DE ENERGÍA Y PUEDE PROVOCAR FUEGO O EXPLOTAR SI SE TRATA MAL:

a. Mantenga la batería seca. b.

NO HAGA NINGUNA DE LAS SIGUIENTES COSAS CON LA BATERÍA: • Abrir, • Dejar caer, • Cortocircuitar, •  
Perforar, • Incinerar o • Exponer a temperaturas superiores  
de 265°F.

c. Cargue la batería únicamente de acuerdo con las instrucciones del cargador. d.

Inspeccione la batería antes de cada uso. No la use ni la cargue si está dañada.

#### Otras normas de seguridad

Mantenga el área de trabajo limpia y bien iluminada. Las áreas desordenadas u oscuras invitan a los  
accidentes. No opere herramientas eléctricas en atmósferas explosivas, como en presencia

de líquidos, gases o polvos inflamables. Las herramientas eléctricas generan chispas que pueden provocar incendios.  
el polvo o los humos.

Mantenga a los niños y a otras personas alejadas mientras utiliza una herramienta eléctrica. Distracciones  
Puede hacer que pierdas el control.

Manténgase alerta, observe lo que está haciendo y use el sentido común al operar un vehículo.  
herramienta eléctrica. No utilice una herramienta eléctrica si está cansado o bajo la influencia de  
drogas, alcohol o medicamentos.

Utilice equipo de protección personal, como mascarilla antipolvo, calzado de seguridad antideslizante, etc.  
Se utilizarán zapatos, casco o protección auditiva adecuados a las condiciones.  
reducir las lesiones personales.

Evite el arranque involuntario. Asegúrese de que el interruptor esté en la posición de apagado antes de  
conectar a la fuente de alimentación y/o paquete de baterías, levantar o transportar la herramienta.

No se estire demasiado. Mantenga el equilibrio y la posición adecuada en todo momento. Esto permite  
Mejor control de la herramienta eléctrica en situaciones inesperadas.

Vístase apropiadamente. No use ropa suelta ni joyas. Mantenga su cabello y  
Mantenga la ropa alejada de las partes móviles. La ropa suelta, las joyas o el pelo largo pueden  
atrapado en partes móviles.

Cuando la batería no esté en uso, manténgala alejada de otros objetos metálicos, como papel  
clips, monedas, llaves, clavos, tornillos u otros pequeños objetos metálicos que puedan hacer una  
conexión de un terminal a otro.

Haga que un técnico de reparación calificado repare su herramienta eléctrica utilizando únicamente  
piezas de repuesto. Esto garantizará la seguridad de la herramienta eléctrica.  
mantenido.

**GUARDE ESTAS INSTRUCCIONES**



## PARÁMETROS TÉCNICOS

Modelo	Q0V-CX51-20
Tensión nominal:	20 V
Velocidad de calafateo:	1-4 mm/s
Corriente de trabajo:	1A
Corriente del LED:	200 mA (solo para barril corto de 300 ml)
Lúmenes LED:	400-450LM (solo para cañón corto de 300 ml)
Presión de trabajo:	270 kilos
Tiempo de trabajo:	4 horas
Temperatura de color del LED:	6000-6500K (solo para cilindro corto de 300 ml)
Pantalla LED a color:	70-75 Ra (solo para barril corto de 300 ml)

## DESCRIPCION FUNCIONAL

### 1. APLICACIONES

Puede utilizar esta herramienta para los siguientes fines:

Sellar grietas para mantener el aire acondicionado de su hogar en el interior y al mismo tiempo mantener

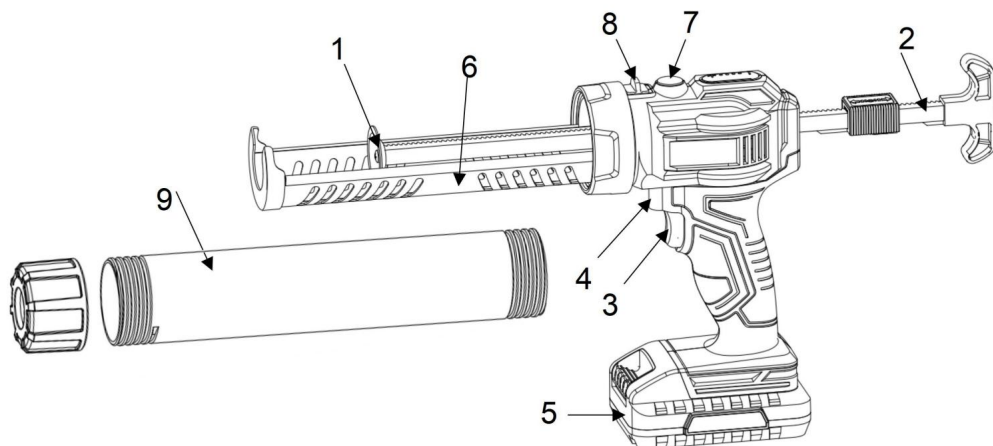
Aire no acondicionado en el exterior, aumentando la eficiencia energética de su hogar.

Rellenar agujeros y grietas antes de pintar. Crear

una barrera de humedad alrededor de las áreas que podrían dañarse con el agua. Sellar grietas para

evitar que los insectos entren a su casa. Aplicar adhesivo.

## 2. DETALLES DEL PRODUCTO



1. Varilla del émbolo

2. Mango de la varilla del émbolo

3. Botón de inicio

4. Gatillo interruptor 5.

Batería

6. Barril corto de 300 ml

7. Interruptor de luz

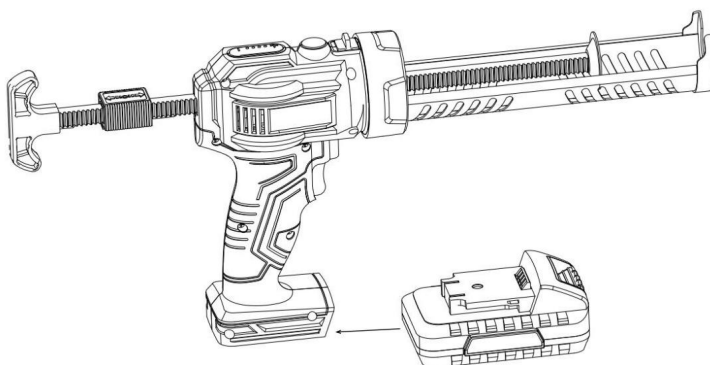
8. Interruptor de reemplazo del barril 9.

Barril largo de 600 ml

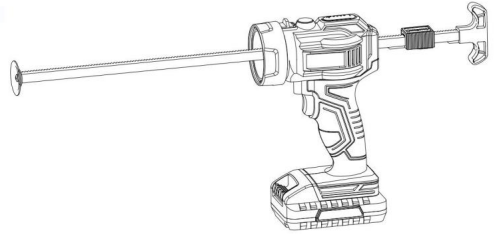
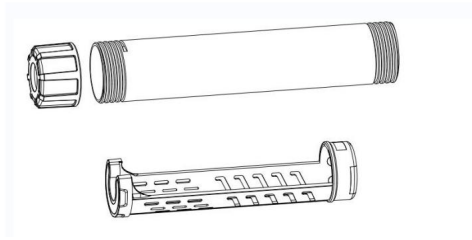
## INSTRUCCIONES DE FUNCIONAMIENTO

### 1. PARA INSTALAR LA BATERÍA

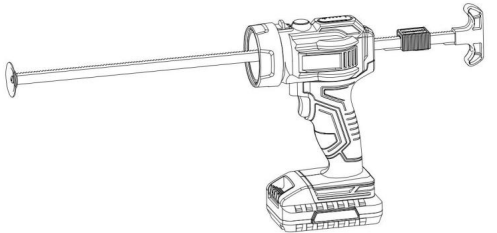
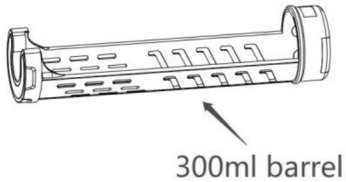
Empuje la batería hasta el fondo de la pistola.



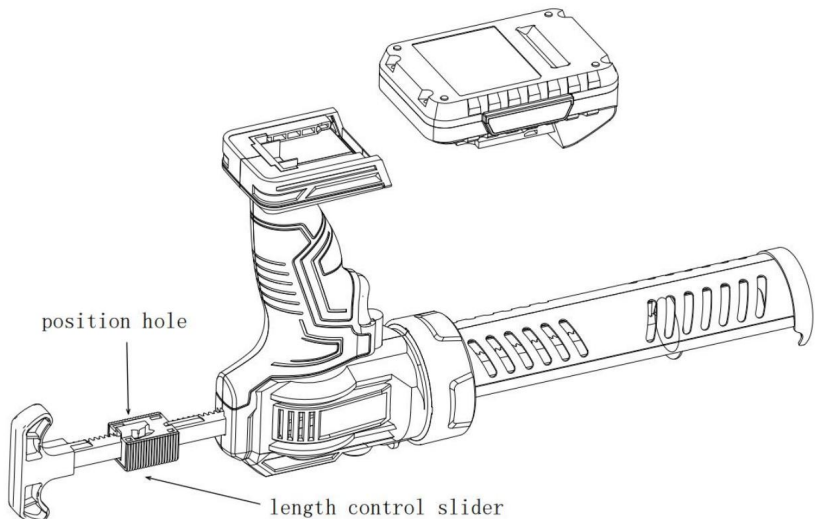
## 2. PARA INSTALAR Y REEMPLAZAR EL CAÑÓN



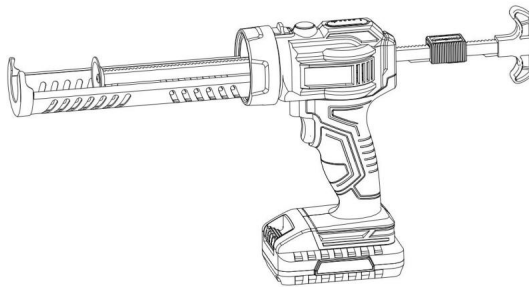
Para instalar el cañón del cartucho de 300 ml, simplemente coloque el cañón en la bayoneta en un ángulo de 90° y gírelo hacia atrás hasta escuchar un sonido, es decir, la fijación está completa.



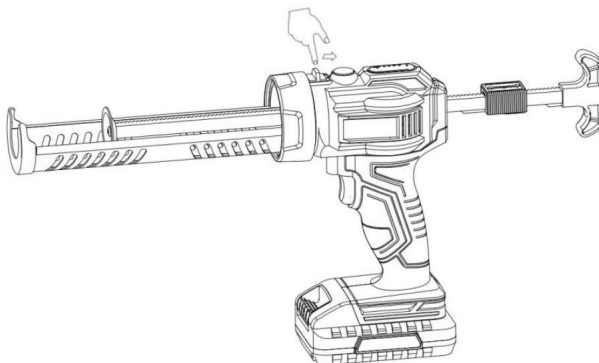
Además, debe cambiar la longitud del vástago del émbolo para que se ajuste al cilindro de 300 ml. Como se muestra en la siguiente figura, deslice el control deslizante de longitud hacia la izquierda hasta que quede atascado en el orificio de posición y no pueda avanzar.



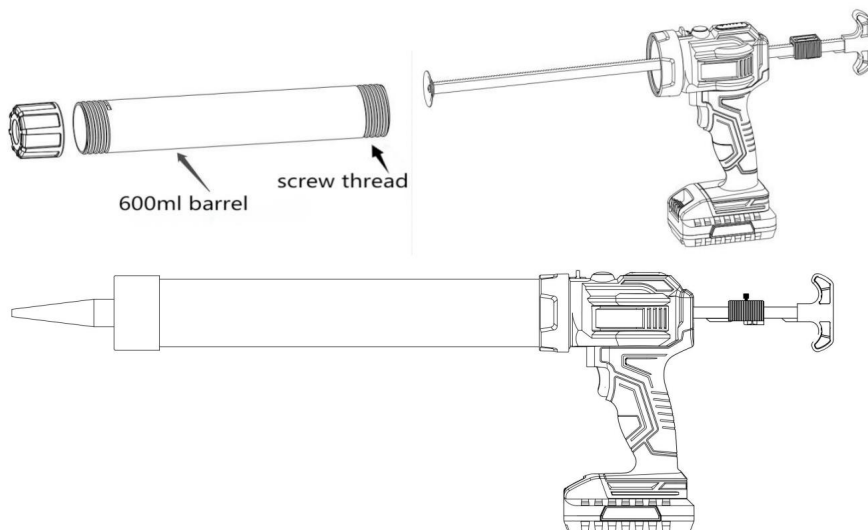
De esta manera obtendrás una pistola de pegamento de 300ml.



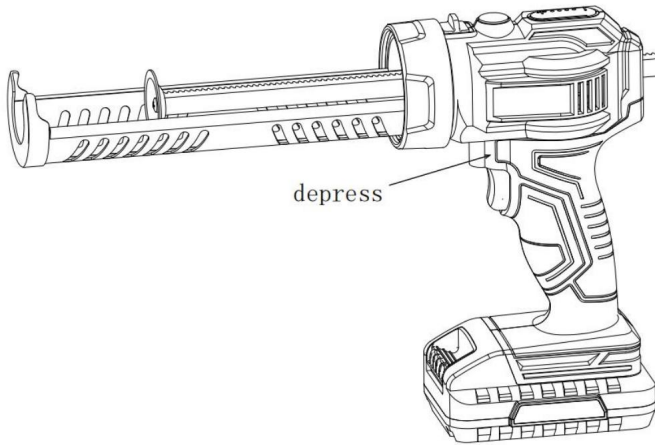
Para quitar el cañón del cartucho de 300 ml, tire ligeramente del interruptor de reemplazo del cañón. hacia atrás, al mismo tiempo gira el cañón 90° y sácalo.



Para instalar el cartucho de 600 ml, gire el cañón directamente.



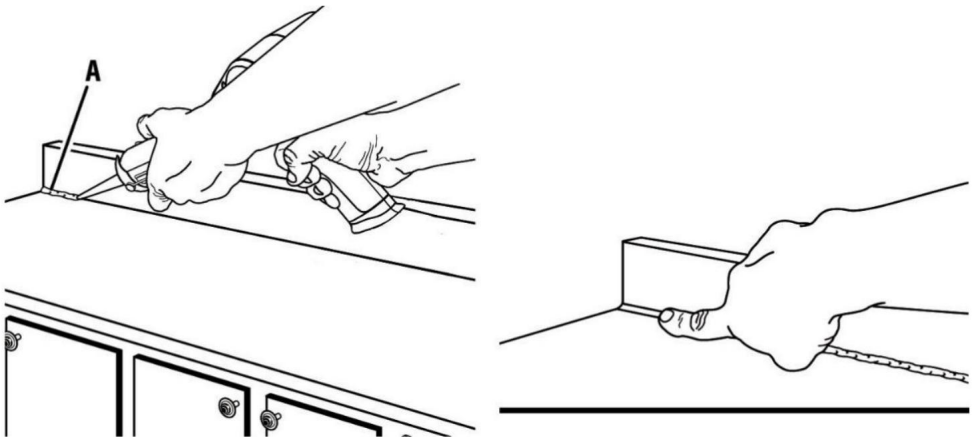
### 3. PUESTA EN MARCHA/PARADA DE LA PISTOLA DE CALAFATEO



Para encender la pistola de calafateo, presione el gatillo interruptor.

Para apagar la pistola de calafateo, suelte el gatillo interruptor.

### 4. APLICACIÓN DE MASILLA



Quitar el polvo, la suciedad o los restos de masilla vieja. Asegúrese de que el área a pintar esté

El calafateo está limpio y seco.

Sostenga la pistola en un ángulo leve. Si está rellenando una grieta, inserte el pico en la grieta si es necesario.

posible; de lo contrario, pase la pistola de calafateo a lo largo de la superficie.

Apriete el gatillo para permitir que la masilla salga por la punta del tubo.

Si el cordón de sellador es demasiado estrecho, vuelva a cortar la boquilla para proporcionar una abertura más grande.

Sin embargo, es mejor aplicar una fina capa de masilla y añadir un poco más si es necesario.

que aplicar demasiado e intentar eliminar el exceso.

Si hay algún bloqueo, puede soltar el gatillo del interruptor y la varilla de inmersión se abrirá.

Desbloquear y retroceder automáticamente, verifique y asegúrese de que:

La punta de la boquilla está cortada.

El sello interior del tubo de calafateo está roto.

Se elimina el material endurecido de la boquilla.

El tubo de calafateo no está dañado ni congelado.

La varilla del émbolo está libre de materiales selladores o adhesivos.

Si el motor continúa apagándose, pruebe con otro tubo de material o lleve la herramienta a un Centro de servicio autorizado.

Mueva con cuidado la pistola de calafateo a un ritmo uniforme a lo largo del espacio que se va a rellenar.

Continúe presionando el gatillo del interruptor. Asegúrese de que la masilla entre en contacto completo.

con ambas superficies de aplicación. Si es necesario, utilice el dedo para presionar suavemente el calafatee en una esquina o grieta.

## MANTENIMIENTO

Al realizar el mantenimiento, utilice únicamente piezas de repuesto idénticas. El uso de otras piezas podría crear un peligro o causar daños al producto.

Para evitar lesiones personales graves, retire siempre las baterías del producto.

al limpiar o realizar cualquier mantenimiento.

Evite utilizar disolventes al limpiar piezas de plástico. La mayoría de los plásticos son susceptibles a la corrosión.

daños causados por varios tipos de solventes comerciales y pueden resultar dañados por sus

Uso. Utilice paños limpios para eliminar la suciedad, el polvo, el aceite, la grasa, etc.

No permita en ningún momento que líquidos de frenos, gasolina, productos derivados del petróleo, aceites penetrantes, etc. entren en contacto con las piezas de plástico. Los productos químicos pueden dañar, debilitar o destruir el plástico, lo que puede provocar lesiones personales graves.

Fabricante: Shanghaimuxinmuyeyouxiangongsi

Dirección: Shuangchenglu 803nong11hao1602A-1609shi, baoshanqu, shanghai  
200000 MN.

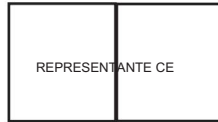
Importado a Australia: SIHAO PTY LTD. 1 ROKEVA STREETEASTWOOD NSW 2122  
Australia

Importado a EE. UU.: Sanven Technology Ltd. Suite 250, 9166 Anaheim Place, Rancho  
Cucamonga, CA 91730



YH CONSULTING LIMITADA.

C/O YH Consulting Limited Oficina 147, Centurion  
Casa, London Road, Staines-upon-Thames,  
Surrey, TW18 4AX



E-CrossStu GmbH

Mainzer Landstraße 69,  
60329 Fráncfort del Meno.





**VEVOR<sup>®</sup>**  
**TOUGH TOOLS, HALF PRICE**

Soporte técnico y certificado de garantía  
electrónica [www.vevor.com/support](http://www.vevor.com/support)

# VEVOR<sup>®</sup>

## TOUGH TOOLS, HALF PRICE

Wsparcie techniczne i certyfikat gwarancji

elektronicznej [www.vevor.com/support](http://www.vevor.com/support)

PISTOLET DO USZCZELNIANIA BEZPRZEWODOWY

MODEL:Q0V-CX51-20

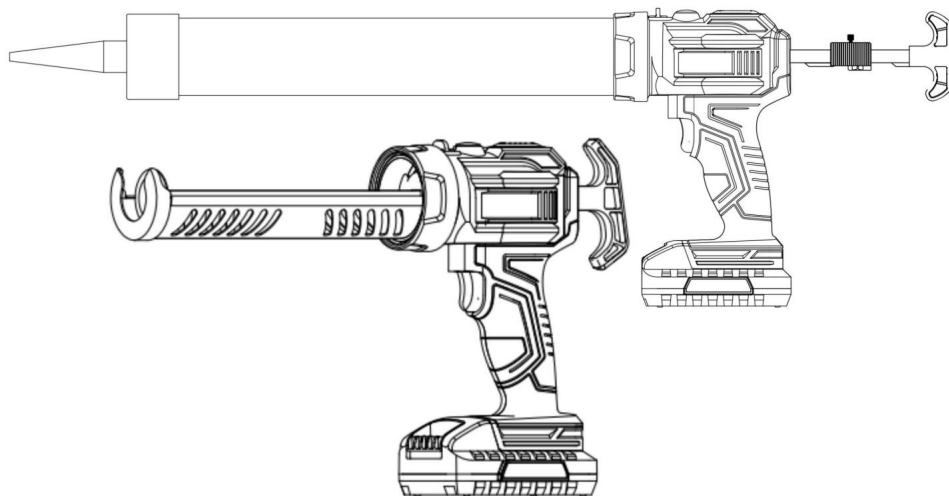
Nadal staramy się oferować Państwu narzędzia w konkurencyjnych cenach. „Oszczędź połowę”, „Połowa ceny” lub inne podobne wyrażenia używane przez nas stanowią jedynie szacunkowe oszczędności, jakie możesz uzyskać kupując u nas określone narzędzia w porównaniu z głównymi markami i niekoniecznie oznaczają one objęcie wszystkich kategorii narzędzi oferowanych przez nas. Uprzejmie przypominamy, aby dokładnie sprawdzić, czy składając u nas zamówienie faktycznie oszczędzasz połowę w porównaniu z głównymi markami.

# VEVOR®

TOUGH TOOLS, HALF PRICE

PISTOLET DO USZCZELNIANIA BEZPRZEWODOWY

MODEL:Q0V-CX51-20



POTRZEBUJESZ POMOCY? SKONTAKTUJ SIĘ Z NAMI!

Masz pytania dotyczące produktu? Potrzebujesz wsparcia technicznego? Skontaktuj się z nami:

Wsparcie techniczne i certyfikat gwarancji  
elektronicznej [www.vevor.com/support](http://www.vevor.com/support)

To jest oryginalna instrukcja, przed użyciem należy uważnie przeczytać wszystkie instrukcje. VEVOR zastrzega sobie jasną interpretację naszej instrukcji obsługi. Wygląd produktu będzie zależał od produktu, który otrzymałeś. Prosimy o wybaczenie, że nie poinformujemy Cię ponownie, jeśli w naszym produkcie pojawią się jakiegokolwiek aktualizacje technologiczne lub oprogramowania.

	Ostrzeżenie – aby zmniejszyć ryzyko obrażeń, użytkownicy muszą zapoznać się z instrukcją instrukcję uważnie.
	Ostrzeżenie: Podczas stosowania tego produktu należy nosić okulary ochronne.
	Ostrzeżenie: Podczas stosowania tego produktu należy nosić rękawiczki.
	<p>PRAWIDŁOWA UTYLIZACJA</p> <p>Niniejszy produkt podlega postanowieniom Dyrektywy Europejskiej 2012/19/WE. Symbol przedstawiający przekreślony kosz na śmieci na kółkach oznacza, że produkt wymaga oddzielnej zbiórki odpadów w Unia Europejska. Dotyczy produktu i wszystkich akcesoriów oznaczone tym symbolem. Produkty oznaczone w ten sposób nie mogą być wyrzucać razem z normalnymi odpadami domowymi, ale należy je oddać do punktu zbiórki odpadów. punkt zbiórki sprzętu elektrycznego i elektronicznego przeznaczonego do recyklingu.</p>
	<p>Oświadczenie FCC:</p> <p>To urządzenie jest zgodne z częścią 15 przepisów FCC. Działanie jest z zastrzeżeniem następujących dwóch warunków: (1) Urządzenie to nie może powodować szkodliwe zakłócenia, a (2) urządzenie to musi akceptować wszelkie zakłócenia odebrane, w tym zakłócenia, które mogą powodować niepożądane działanie.</p>

### WAŻNE OSTRZEŻENIA DOTYCZĄCE BEZPIECZEŃSTWA

**OSTRZEŻENIE:** Przeczytaj wszystkie ostrzeżenia dotyczące bezpieczeństwa, instrukcje, ilustracje i specyfikacje dołączone do tego elektronarzędzia. Nieprzestrzeganie wszystkich instrukcji wymienionych poniżej może spowodować porażenie prądem, pożar i/lub poważne obrażenia. Zachowaj wszystkie ostrzeżenia i instrukcje na przyszłość. Termin „narzędzie elektryczne” w instrukcji bezpieczeństwa odnosi się do Twojego

Bezprzewodowy pistolet do uszczelniania.

Bezpieczeństwo w miejscu pracy

a) Utrzymuj miejsce pracy w czystości i dobrym oświetleniu. Zagrazone lub ciemne pomieszczenia są przyczyną wypadków.

b) Nie używaj elektronarzędzi w atmosferach wybuchowych, np. w obecności łatwopalnych cieczy, gazów lub pyłów. Narzędzia elektryczne wytwarzają iskry, które mogą zapalić pył lub opary.

c) Trzymaj dzieci i osoby postronne z dala podczas obsługi elektronarzędzia. Rozproszenia może spowodować utratę kontroli.

#### Bezpieczeństwo elektryczne

a) Wtyczki elektronarzędzi muszą pasować do gniazdka. Nigdy nie modyfikuj wtyczki w żaden sposób.

nie używać żadnych adapterów wtyczek z uziemionymi elektronarzędziami. Niezmodyfikowane wtyczki

i dopasowane gniazdka zmniejszą ryzyko porażenia prądem. b) Unikaj

kontaktu ciała z uziemionymi powierzchniami, takimi jak rury, grzejniki, kuchenki i lodówki. Istnieje zwiększone

ryzyko porażenia prądem, jeśli twoje ciało jest

uziemione lub uziemione. c)

Nie wystawiaj elektronarzędzi na deszcz lub wilgotne warunki. Woda dostająca się do elektronarzędzia

zwiększa ryzyko porażenia prądem.

d) Nie nadużywaj przewodu. Nigdy nie używaj przewodu do przenoszenia, ciągnięcia lub odłączania.

elektronarzędzie. Trzymaj przewód z dala od ciepła, oleju, ostrych krawędzi lub ruchomych części.

Uszkodzone lub splątane przewody zwiększają ryzyko porażenia prądem. e) Podczas

używania elektronarzędzia na zewnątrz należy używać przedłużacza odpowiedniego do:

do użytku na zewnątrz. Użycie przewodu nadającego się do użytku na zewnątrz zmniejsza ryzyko porażenia prądem

zaszkokować.

f) Jeżeli nie można uniknąć używania elektronarzędzia w wilgotnym miejscu, należy użyć środka czyszczącego

prądowe urządzenie zabezpieczające (RCD) zasilanie. Zastosowanie RCD zmniejsza ryzyko porażenia prądem

zaszkokować.

#### Bezpieczeństwo osobiste

a) Zachowaj czujność, zwracaj uwagę na to, co robisz, i kieruj się zdrowym rozsądkiem podczas obsługi

elektronarzędzie. Nie używaj elektronarzędzia, gdy jesteś zmęczony lub pod wpływem

narkotyki, alkoholu lub leki. Chwila nieuwagi podczas obsługi elektronarzędzi

może spowodować poważne obrażenia ciała. b)

Używaj osobistego sprzętu ochronnego. Zawsze noś okulary ochronne.

sprzęt taki jak maska przeciwpyłowa, antypoślizgowe obuwie robocze, kask lub ochraniacz słuchu

ochrona stosowana w odpowiednich warunkach zmniejszy ryzyko obrażeń ciała. c) Zapobiegaj

przypadkowemu uruchomieniu. Upewnij się, że przełącznik jest w pozycji wyłączonej przed

podłączanie do źródła zasilania i/lub akumulatora, podnoszenie i przenoszenie narzędzia.

Przenoszenie elektronarzędzi z palcem na przełączniku lub podłączanie elektronarzędzi do prądu,

włączenie przełącznika zaprasza do wypadków.

d) Przed włączeniem elektronarzędzia usuń klucz regulacyjny lub klucz francuski. Klucz francuski lub pozostawienie klucza przymocowanego do obracającej się części elektronarzędzia może spowodować obrażenia ciała  
uraz. e)

Nie wychylaj się za bardzo. Zawsze utrzymuj odpowiednią równowagę i równowagę. Umożliwia to lepszą kontrolę nad elektronarzędziem w nieoczekiwanych sytuacjach.

f) Ubierz się odpowiednio. Nie noś luźnego ubrania ani biżuterii. Dbaj o włosy i ubrania z dala od ruchomych części. Luźne ubrania, biżuteria lub długie włosy mogą być wciągnięte w ruchome części. g)

Jeżeli przewidziane są urządzenia do podłączenia odsysania i zbierania pyłu obiektów, upewnij się, że są one podłączone i prawidłowo używane. Korzystanie z odpylacza może zredukować zagrożenia związane z pyłem.

h) Nie pozwól, aby znajomość zdobyta dzięki częstemu używaniu narzędzi pozwoliła Ci się zadowolenie i ignorowanie zasad bezpieczeństwa narzędzi. Nieostrożne działanie może spowodować poważne obrażenia w ułamku sekundy.

Użytkowanie i konserwacja elektronarzędzi

a) Nie używaj narzędzia elektrycznego na siłę. Używaj właściwego narzędzia elektrycznego do swojego zastosowania. odpowiednie elektronarzędzie wykona pracę lepiej i bezpieczniej w tempie, w jakim zostało użyte

zaprojektowane. b) Nie używaj elektronarzędzia, jeśli przełącznik nie włącza i nie wyłącza go. Każde elektronarzędzie którego nie można kontrolować za pomocą przełącznika, jest niebezpieczne i musi zostać naprawiony. c)

Odłącz wtyczkę od źródła zasilania i/lub wyjmij akumulator, jeżeli odłączany od elektronarzędzia przed dokonaniem jakichkolwiek regulacji, zmian akcesoriów lub przechowywania elektronarzędzi. Takie środki zapobiegawcze zmniejszają ryzyko przypadkowego uruchomienia elektronarzędzia. d)

Przechowuj nieużywane elektronarzędzia w miejscu niedostępnym dla dzieci i nie pozwalaj osobom trzecim nie znasz elektronarzędzia lub niniejszej instrukcji obsługi, co uniemożliwia jego obsługę.

Narzędzia elektryczne są niebezpieczne w rękach nieprzeszkolonych użytkowników.

e) Konserwuj narzędzia elektryczne i akcesoria. Sprawdź, czy nie są źle ustawione lub zakleszczone. ruchome części, pęknięcie części i wszelkie inne warunki, które mogą mieć wpływ na zasilanie działanie tooTs. W przypadku uszkodzenia, przed użyciem należy oddać elektronarzędzie do naprawy. Wiele wypadków jest spowodowanych przez źle konserwowane elektronarzędzia.

f) Utrzymuj narzędzia tnące ostre i czyste. Prawidłowo konserwowane narzędzia tnące z ostrymi krawędziami krawędzie tnące rzadziej się zacinają i są łatwiejsze do kontrolowania.

g) Używaj elektronarzędzi, akcesoriów, końcówek narzędziowych itp. zgodnie z niniejszymi zasadami. Instrukcje, biorąc pod uwagę warunki pracy i wykonywaną pracę wykonane. Użycie elektronarzędzia do operacji innych niż te, do których jest przeznaczone, może doprowadzić do niebezpiecznej sytuacji.

h) Utrzymuj uchwyty i powierzchnie chwytne w stanie suchym, czystym i wolnym od oleju i smaru. Śliskie uchwyty i powierzchnie chwytne nie pozwalają na bezpieczną obsługę i kontrolę narzędzia w nieoczekiwanych sytuacjach.

## Praca

a) Oddaj elektronarzędzie do serwisu wyłącznie przez wykwalifikowanego pracownika, używając wyłącznie identycznych części. części zamienne. Dzięki temu zapewnione zostanie bezpieczeństwo elektronarzędzia.

Instrukcje bezpieczeństwa dotyczące narzędzi zasilanych akumulatorowo

1. zapobiegaj przypadkowemu uruchomieniu. Upewnij się, że przełącznik jest w pozycji wyłączonej przed podłączenie do akumulatora, podnoszenie lub przenoszenie elektronarzędzia. Przenoszenie elektronarzędzie z twoim

palec na przełączniku lub zasilanym elektronarzędziu, które ma włączony przełącznik, zaprasza Wypadki.

2. Odłącz akumulator od elektronarzędzia przed dokonaniem jakichkolwiek regulacji, wymianą akcesoriów lub przechowywaniem elektronarzędzia. Takie środki zapobiegawcze zmniejsza ryzyko przypadkowego uruchomienia elektronarzędzia.

3. Ładuj wyłącznie za pomocą ładowarki określonej przez producenta. Ładowarka, która jest nadaje się do jednego typu akumulatora, może stwarzać ryzyko pożaru w przypadku użycia z kolejny akumulator.

4. Używaj elektronarzędzi wyłącznie z specjalnie przeznaczonymi akumulatorami. Używanie jakichkolwiek inne zestawy baterii mogą stwarzać ryzyko obrażeń i pożaru

5. Gdy akumulator nie jest używany, należy trzymać go z dala od innych metalowych przedmiotów, takich jak spinacze do papieru, monety, klucze, gwoździe, śruby lub inne małe metalowe przedmioty, które mogą powodować połączenie jednego zacisku z drugim. Zwarcie zacisków akumulatora może spowodować oparzenia lub pożar.

6. W przypadku niewłaściwego użytkowania, z akumulatora może wydostać się płyn; należy unikać kontaktu. W przypadku przypadkowego kontaktu przemyć wodą. W przypadku kontaktu płynu z oczami, dodatkowo zasięgnij pomocy lekarskiej. Płyn wyrzucony z baterii może powodować podrażnienia lub oparzenia.

7. Nie używaj akumulatora ani elektronarzędzi, które są uszkodzone lub zmodyfikowane. Uszkodzone lub zmodyfikowane baterie mogą wykazywać nieprzewidywalne zachowanie, co może skutkować pożarem, wybuchem lub ryzyko obrażeń.

8. Nie wystawiaj akumulatora ani elektronarzędzia na działanie ognia lub nadmiernej temperatury.

Narażenie na działanie ognia lub temperatury powyżej 265°F może spowodować wybuch.

9. Postępuj zgodnie ze wszystkimi instrukcjami ładowania i nie ładuj akumulatora ani elektronarzędzia.

poza zakresem temperatur określonym w instrukcji. Ładowanie nieprawidłowe

lub w

temperatury poza określonym zakresem mogą uszkodzić akumulator i zwiększyć

ryzyko pożaru.

10. Zlecaj wykonywanie prac serwisowych wyłącznie wykwalifikowanemu personelowi, używającemu wyłącznie identycznych części.

części zamienne. Dzięki temu zapewnione zostanie bezpieczeństwo produktu.

11. Nie modyfikuj ani nie próbuj naprawiać elektronarzędzia ani akumulatora, chyba że:

wskazane w instrukcji użytkowania i pielęgnacji.

12. Ładowarka akumulatora nagrzewa się podczas użytkowania. Ciepło ładowarki może się gromadzić do

niebezpiecznych poziomów i stwarzać zagrożenie pożarowe, jeśli nie otrzyma odpowiedniej wentylacji, z powodu

usterki elektrycznej lub jeśli jest używany w gorącym środowisku. Nie umieszczaj

ładowarkę na łatwopalnej powierzchni. Nie zasłaniaj żadnych otworów wentylacyjnych w ładowarce.

Szczególnie należy unikać umieszczania ładowarki na dywanach i chodnikach, ponieważ nie tylko

łatwopalne, ale blokują również otwory wentylacyjne pod ładowarką. Umieść ładowarkę na

stabilną, solidną i niepalną powierzchnią (np. stabilny metalowy stół warsztatowy lub

podłoga betonowa) w odległości co najmniej 1 stopy od wszystkich przedmiotów łatwopalnych, takich jak zasłony lub

ściany. Trzymaj gaśnicę i czujnik dymu w tym miejscu. Często

Podczas ładowania należy monitorować ładowarkę i akumulator.

13. Ostrzeżenia dotyczące bezpieczeństwa baterii litowych BATERIE LITOWE PRZECHEWUJ DUŻO

ILOŚĆ ENERGII, KTÓRA MOŻE WYWOŁAĆ POŻAR LUB WYBUCHNĄĆ W PRZYPADKU NIEWŁAŚCIWEGO OBCHODZENIA:

a. Utrzymuj akumulator w

suchości. b. NIE WYKONUJ ŻADNEJ Z PONIŻSZYCH CZYNNOŚCI WOBEC AKUMULATORA: • Otwieraj, • Upuszczaj,

• Zwieraj, • Przebijaj, • Podpalaj, • Narażaj na działanie temperatur wyższych niż

niż 265°F.

c. Ładuj akumulator wyłącznie zgodnie z instrukcją ładowarki. d. Przed każdym użyciem

sprawdź akumulator; nie używaj i nie ładuj, jeśli jest uszkodzony.

Inne zasady bezpieczeństwa

Utrzymuj miejsce pracy w czystości i dobrym oświetleniu. Zagraczone lub ciemne obszary sprzyjają

wypadkom. Nie używaj elektronarzędzi w atmosferach wybuchowych, np. w obecności

łatwopalnych cieczy, gazów lub pyłów. Narzędzia elektryczne wytwarzają iskry, które mogą zapalić

pył lub opary.



Trzymaj dzieci i osoby postronne z dala od siebie podczas obsługi elektronarzędzia. Rozproszenia może spowodować utratę kontroli.

Zachowaj czujność, zwracaj uwagę na to, co robisz, i kieruj się zdrowym rozsądkiem podczas obsługi elektronarzędzie. Nie używaj elektronarzędzia, gdy jesteś zmęczony lub pod wpływem narkotyki, alkohol lub leki.

Stosuj środki ochrony osobistej, takie jak maska przeciwpyłowa, antypoślizgowa podkładka antypoślizgowa odpowiednie obuwie, kask lub ochrona słuchu stosowane w odpowiednich warunkach zmniejszyć obrażenia ciała.

Zapobiegaj przypadkowemu uruchomieniu. Upewnij się, że przełącznik jest w pozycji wyłączonej przed podłączanie do źródła zasilania i/lub akumulatora, podnoszenie lub przenoszenie narzędzia. Nie wychylaj się za daleko. Zawsze utrzymuj odpowiednią równowagę i równowagę. Umożliwia to lepsza kontrola nad elektronarzędziem w nieoczekiwanych sytuacjach.

Ubierz się odpowiednio. Nie noś luźnej odzieży ani biżuterii. Utrzymuj włosy i ubrania z dala od ruchomych części. Luźne ubrania, biżuteria lub długie włosy mogą być wciągnięte w ruchome części.

Gdy akumulator nie jest używany, należy trzymać go z dala od innych metalowych przedmiotów, np. papieru spinacze, monety, klucze, gwoździe, śruby lub inne małe metalowe przedmioty, które mogą spowodować połączenie z jednego terminala do drugiego.

Oddawaj elektronarzędzie do serwisu wyłącznie przez wykwalifikowanego pracownika, używając wyłącznie identycznych części. części zamienne. Dzięki temu zapewnione zostanie bezpieczeństwo elektronarzędzia. utrzymany.

**ZAPISZ TE INSTRUKCJE**

## PARAMETRY TECHNICZNE

Model	Q0V-CX51-20
Napięcie znamionowe:	20 V
Szybkość uszczelniania:	1-4 mm/sek.
Prąd roboczy:	1A
Prąd diody LED:	200mA (tylko dla krótkiej lufy 300ml)
Lumeny LED:	400-450LM (tylko dla krótkiej lufy 300 ml)
Ciśnienie robocze:	270 kg
Czas pracy:	4 godziny
Temperatura barwowa diody LED:	6000-6500K (tylko dla 300ml krótkiej lufy)
Kolorowy wyświetlacz LED:	70-75Ra (tylko dla krótkiej lufy 300 ml)

## OPIS FUNKCJONALNY

## 1. ZASTOSOWANIA

Możesz używać tego narzędzia w następujących celach:

Uszczelnianie pęknięć w celu utrzymania klimatyzowanego powietrza w domu, a jednocześnie nieklimatyzowane powietrze na zewnątrz, zwiększając efektywność energetyczną domu.

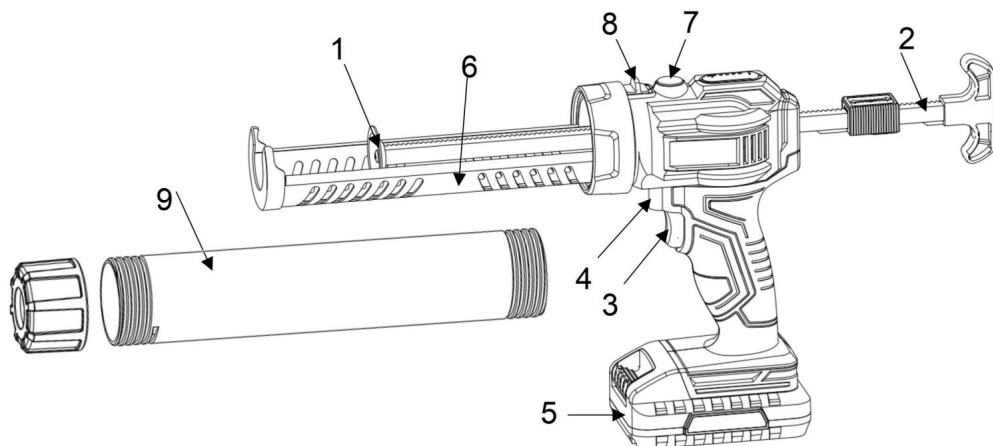
Wypełnianie dziur i pęknięć przed malowaniem.

Tworzenie bariery przeciwwilgociowej wokół miejsc, które mogłyby zostać uszkodzone przez wodę.

Uszczelnianie pęknięć, aby uniemożliwić owadom przedostawanie się do domu.

Nakładanie kleju.

## 2. SZCZEGÓŁY PRODUKTU



1. Tłoczysko 2.

Uchwyt tłoczyska

3. Przycisk startu

4. Przełącznik spustowy

5. Akumulator

6. 300 ml krótka beczka

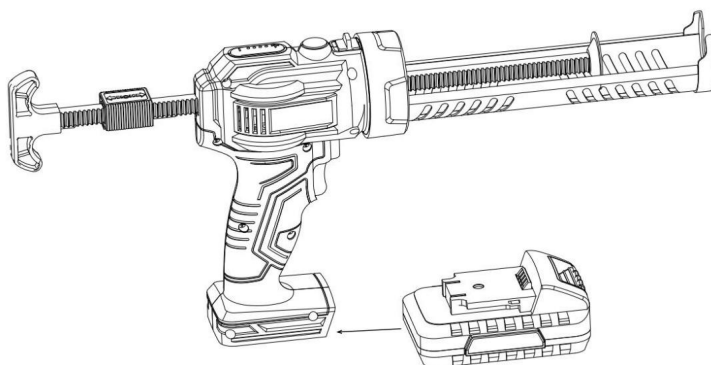
7. Wyłącznik światła

8. Wyłącznik wymiany lufy 9. Lufa  
długa 600 ml

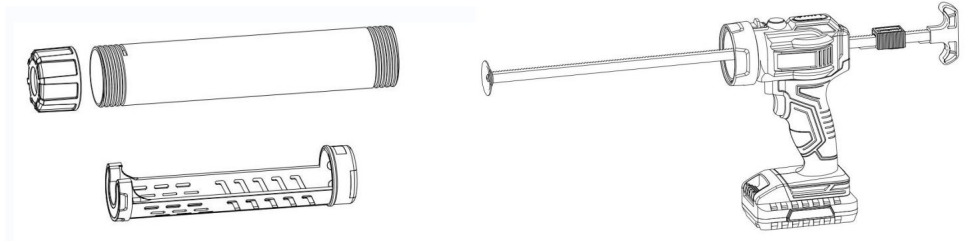
## INSTRUKCJA OBSŁUGI

### 1. ABY ZAINSTALOWAĆ BATERIĘ

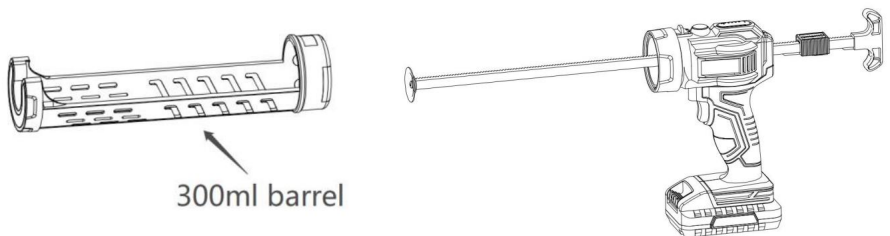
Wsuń akumulator w dolną część pistoletu.



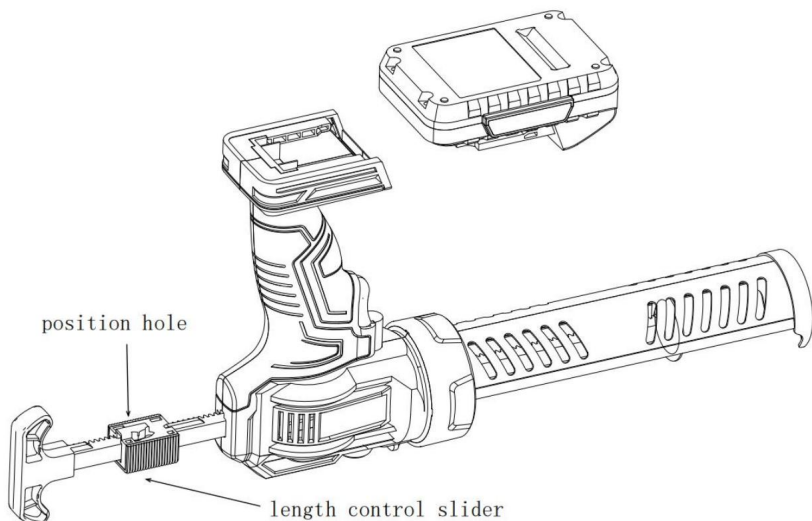
## 2. ABY ZAMONTOWAĆ I WYMIENIĆ LUFĘ



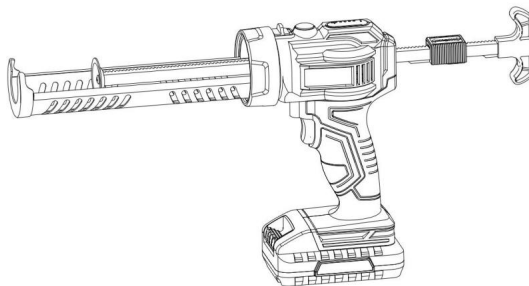
Aby zamontować nabój 300 ml, wystarczy wsunąć lufę do bagnetu pod kątem 90° i obrócić ją do tyłu, aż usłyszysz dźwięk, co oznacza, że mocowanie zostało zakończone.



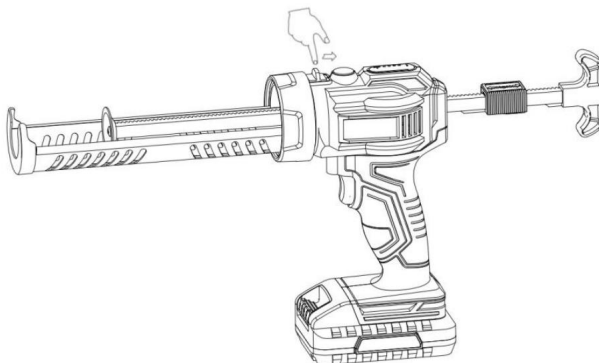
Musisz również zmienić długość tłoczyska, aby pasowało do beczki 300 ml. Jak pokazano na poniższym rysunku, przesunij suwak kontroli długości w lewo, aż utknie w otworze pozycjonującym i nie będzie mógł się przesunąć do przodu.



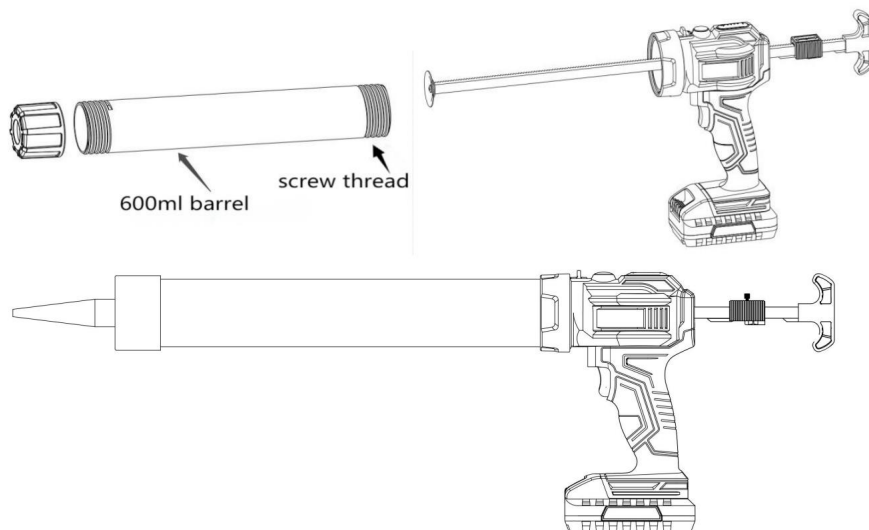
W ten sposób otrzymasz pistolet do kleju o pojemności 300 ml.



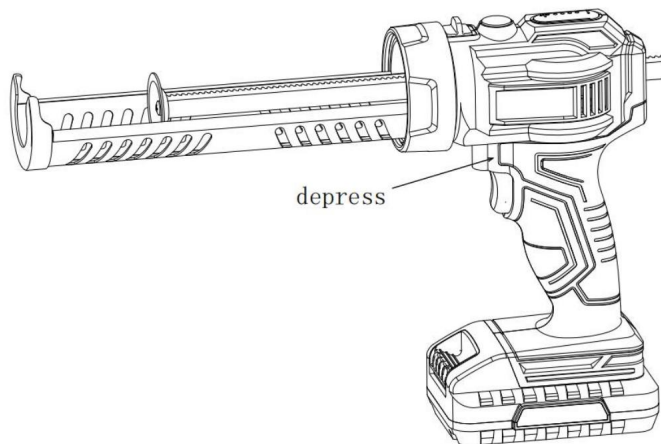
Aby wyjąć wkład 300 ml, delikatnie pociągnij za przełącznik wymiany wkładu do tyłu, jednocześnie obracając lufę o 90° i wyciągnij.



Aby zamontować wkład o pojemności 600 ml, należy bezpośrednio obrócić cylinder.



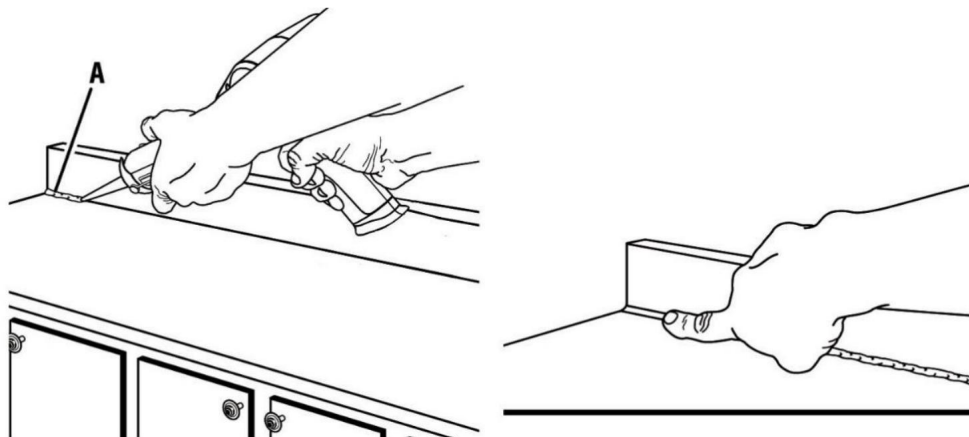
### 3. URUCHAMIANIE/ZATRZYMYWANIE PISTOLETU DO USZCZELNIANIA



Aby włączyć pistolet do uszczelniaczy, naciśnij spust przełącznika.

Aby WYŁĄCZYĆ pistolet do uszczelniania, zwolnij spust przełącznika.

### 4. NAKŁADANIE USZCZELNIACZA



Usuwanie kurzu, brudu lub pozostałości starego uszczelniacza. Upewnij się, że obszar, który ma być uszczelniona powierzchnia jest czysta i sucha.

Trzymaj pistolet pod niewielkim kątem. Jeśli wypełniasz szczelinę, włóż wylewkę do szczeliny, jeśli jeśli to możliwe, przesunij pistoletem do uszczelniacza po powierzchni.

Naciśnij spust, pozwalając na wyciśnięcie uszczelniacza z końcówki tubki.

Jeśli pasek uszczelniacza jest zbyt wąski, należy przyciąć dyszę, aby uzyskać większy otwór.

Lepiej jednak nałożyć cienką warstwę uszczelniacza i w razie potrzeby dodać odrobinę więcej niż nałożyć za dużo i próbować usunąć nadmiar.

Jeżeli jest zablokowany, możesz zwolnić spust przełącznika, a pręt tłokowy zostanie automatycznie odblokuj i wyłącz, sprawdź i upewnij się, że:

Końcówka dyszy jest obcięta.

Wewnętrzna uszczelka w tubie uszczelniającej jest uszkodzona.

Utwardzony materiał jest usuwany z dyszy.

Tuba uszczelniająca nie jest uszkodzona ani zamarznięta.

Tłoczysko nie zawiera materiałów uszczelniających/klejących.

Jeżeli silnik nadal się wyłącza, spróbuj użyć innej tuby materiału lub zanieś narzędzie do warsztatu. autoryzowany punkt serwisowy.

Ostrożnie przesuwaj pistolet do uszczelniacza w równym tempie wzdłuż szczeliny, którą chcesz wypełnić.

nadal naciskaj spust przełącznika. Upewnij się, że uszczelniacz ma pełny kontakt

z obiema powierzchniami aplikacji. W razie potrzeby użyj palca, aby delikatnie nacisnąć uszczelnic róg lub pęknięcie.

## KONSERWACJA

Podczas serwisowania należy używać wyłącznie identycznych części zamiennych. Użycie innych części może stworzyć zagrożenie lub spowodować uszkodzenie produktu.

Aby uniknąć poważnych obrażeń ciała, zawsze wyjmuj baterie z produktu.

podczas czyszczenia lub wykonywania prac konserwacyjnych.

Unikaj stosowania rozpuszczalników podczas czyszczenia części z tworzyw sztucznych. Większość tworzyw sztucznych jest podatna na uszkodzenia spowodowane różnymi rodzajami rozpuszczalników komercyjnych i mogą zostać uszkodzone przez ich używanie. Do usuwania brudu, kurzu, oleju, smaru itp. należy używać czystych ubrań.

Nigdy nie dopuść do kontaktu płynów hamulcowych, benzyny, produktów na bazie ropy naftowej, olejów penetrujących itp. z częściami plastikowymi. Substancje chemiczne mogą uszkodzić, osłabić lub zniszczyć plastik, co może skutkować poważnymi obrażeniami ciała.

Producent: Shanghaimuxinmuyeyouxiangongsi

Adres: Shuangchenglu 803nong11hao1602A-1609shi, baoshanqu, Szanghaj  
200000 CN.

Importowane do AUS: SIHAO PTY LTD. 1 ROKEVA STREETEASTWOOD NSW 2122  
Australia

Importowane do USA: Sanven Technology Ltd. Suite 250, 9166 Anaheim Place, Rancho  
Cucamonga, CA 91730



YH CONSULTING LIMITED.

C/O YH Consulting Limited Biuro 147, Centurion  
Dom, London Road, Staines-upon-Thames,  
Surrey, TW18 4AX



E-CrossStu GmbH

Mainzer Landstr.69,  
60329 Frankfurt nad Menem.





**VEVOR**®  
**TOUGH TOOLS, HALF PRICE**

Wsparcie techniczne i certyfikat gwarancji  
elektronicznej [www.vevor.com/support](http://www.vevor.com/support)

# **VEVOR<sup>®</sup>**

**TOUGH TOOLS, HALF PRICE**

Technische ondersteuning en e-garantiecertificaat

[www.vevor.com/support](http://www.vevor.com/support)

## **SNOERLOZE KITPISTOOL**

### **MODEL:Q0V-CX51-20**

Wij streven er voortdurend naar om u gereedschappen tegen concurrerende prijzen te leveren.

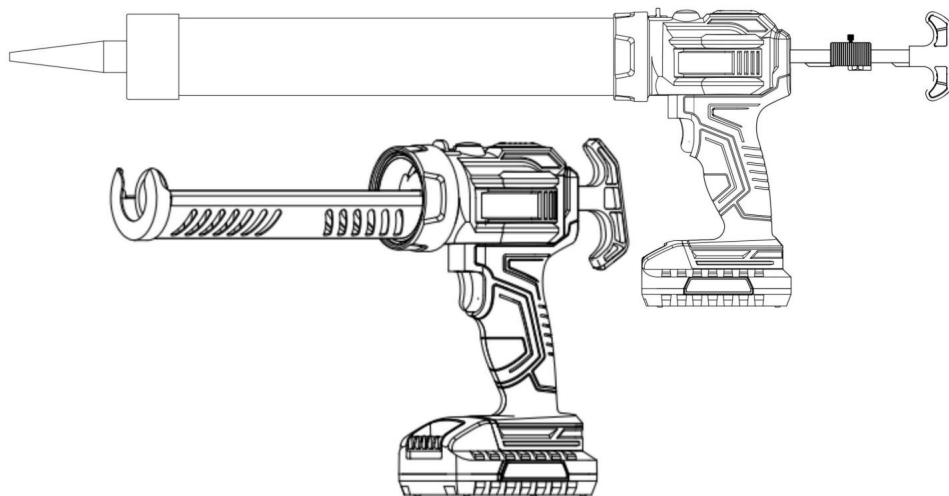
"Bespaar de helft", "halve prijs" of andere soortgelijke uitdrukkingen die wij gebruiken, geven alleen een schatting van de besparingen die u kunt behalen door bepaalde gereedschappen bij ons te kopen in vergelijking met de grote topmerken en doseringen betekenen niet noodzakelijkerwijs dat ze alle categorieën gereedschappen dekken die wij aanbieden. Wij herinneren u eraan om zorgvuldig te controleren of u daadwerkelijk de helft bespaart in vergelijking met de grote topmerken wanneer u een bestelling bij ons plaatst.

# VEVOR<sup>®</sup>

TOUGH TOOLS, HALF PRICE

SNOERLOZE KITPISTOOL

MODEL:Q0V-CX51-20



## HULP NODIG? NEEM CONTACT MET ONS OP!

Heeft u vragen over het product? Heeft u technische ondersteuning nodig? Neem dan gerust contact met ons op:

**Technische ondersteuning en e-garantiecertificaat [www.vevor.com/support](http://www.vevor.com/support)**

Dit is de originele instructie, lees alle handleidingen zorgvuldig door voordat u het product gebruikt. VEVOR behoudt zich een duidelijke interpretatie van onze gebruikershandleiding voor. Het uiterlijk van het product is afhankelijk van het product dat u hebt ontvangen. Vergeef ons dat we u niet opnieuw zullen informeren als er technologie- of software-updates voor ons product zijn.

	<b>Waarschuwing - Om</b> het risico op letsel te verminderen, moeten gebruikers de instructies lezen handleiding zorgvuldig door.
	<b>Waarschuwing:</b> draag altijd een oogbescherming wanneer u dit product gebruikt.
	<b>Waarschuwing:</b> draag handschoenen wanneer u dit product gebruikt.
 	<b>CORRECTE VERWIJDERING</b> Dit product is onderworpen aan de bepalingen van de Europese richtlijn 2012/19/EG. Het symbool met een kliko-afvalbak doorkruist geeft aan dat het product gescheiden afvalinzameling vereist in de Europese Unie. Dit geldt voor het product en alle accessoires gemarkeerd met dit symbool. Producten die als zodanig gemarkeerd zijn, mogen niet weggegooid met het normale huisvuil, maar moet naar een afvalverwerkingsbedrijf worden gebracht. inzamelpunt voor het recyclen van elektrische en elektronische apparaten.
	<b>FCC-verklaring:</b> Dit apparaat voldoet aan Deel 15 van de FCC-regels. De bediening is onder de volgende twee voorwaarden: (1) Dit apparaat mag geen schadelijke interferentie, en (2) dit apparaat moet elke interferentie accepteren ontvangen, met inbegrip van storingen die een ongewenste werking kunnen veroorzaken.

## BELANGRIJKE VEILIGHEIDSWAARSCHUWINGEN

**WAARSCHUWING: Lees** alle veiligheidswaarschuwingen, instructies, illustraties en specificaties

geleverd bij dit elektrische gereedschap. Als u niet alle onderstaande instructies opvolgt, kan dit leiden tot kan leiden tot een elektrische schok, brand en/of ernstig letsel. Bewaar alle waarschuwingen en instructies voor toekomstige referentie. De term "elektrisch gereedschap" in de veiligheidsinstructies verwijst naar uw Snoerloos kitpistool.

### Veiligheid op de werkplek

a) Zorg dat de werkplek schoon en goed verlicht is. Rommelige of donkere plekken zijn een uitnodiging tot ongelukken.

- b) Gebruik geen elektrisch gereedschap in explosieve atmosferen, zoals in de aanwezigheid van ontvlambare vloeistoffen, gassen of stof. Elektrisch gereedschap creëert vonken die kunnen ontbranden het stof of de dampen.
- c) Houd kinderen en omstanders uit de buurt tijdens het bedienen van een elektrisch gereedschap. Afleidingen kan ertoe leiden dat u de controle verliest.

## **Elektrische veiligheid**

- a) Stekkers van elektrisch gereedschap moeten passen bij het stopcontact. Wijzig de stekker nooit op welke manier dan ook. Gebruik geen adapterstekkers met geaarde elektrische gereedschappen. Ongewijzigde stekkers en bijpassende stopcontacten verminderen het risico op een elektrische schok.
- b) Vermijd lichaamscontact met geaarde oppervlakken, zoals leidingen, radiatoren, fornuizen en koelkasten. Er is een verhoogd risico op een elektrische schok als uw lichaam geaard of geaard. c) Stel elektrisch gereedschap niet bloot aan regen of natte omstandigheden. Water dat een elektrisch gereedschap binnendringt vergroot het risico op een elektrische schok.
- d) Misbruik het snoer niet. Gebruik het snoer nooit om te dragen, te trekken of los te koppelen. het elektrische gereedschap. Houd het snoer uit de buurt van hitte, olie, scherpe randen of bewegende delen. Beschadigde of in de knoop geraakte snoeren vergroten het risico op een elektrische schok. e) Gebruik bij het gebruik van elektrisch gereedschap buitenshuis een verlengsnoer dat geschikt is voor buitengebruik. Het gebruik van een snoer dat geschikt is voor buitengebruik vermindert het risico op elektrische schok.
- f) Als het onvermijdelijk is om een elektrisch gereedschap op een vochtige plaats te gebruiken, gebruik dan een reststroomadapter. stroomapparaat (RCD) beveiligde voeding. Het gebruik van een RCD vermindert het risico op elektrische schok.

## **Persoonlijke veiligheid**

- a) Blijf alert, let op wat u doet en gebruik uw gezonde verstand bij het bedienen van een elektrisch gereedschap. Gebruik geen elektrisch gereedschap als u moe bent of onder invloed van drugs, alcohol of medicatie. Een moment van onoplettendheid tijdens het bedienen van elektrisch gereedschap kan leiden tot ernstig persoonlijk letsel. b) Gebruik persoonlijke beschermingsmiddelen. Draag altijd oogbescherming. Beschermende uitrusting zoals een stofmasker, antislip veiligheidsschoenen, een helm of gehoorbescherming bescherming die wordt gebruikt voor geschikte omstandigheden zal persoonlijk letsel verminderen. c) Voorkom onbedoeld starten. Zorg ervoor dat de schakelaar in de uit-stand staat voordat het aansluiten op een stroombron en/of accu, het oppakken of dragen van het gereedschap. Het dragen van elektrisch gereedschap met uw vinger op de schakelaar of het van stroom voorzien van elektrisch gereedschap dat

als de schakelaar aan staat, leidt dat tot ongelukken.

d) Verwijder alle afstelsleutels of moersleutels voordat u het elektrische gereedschap inschakelt. Een moersleutel of een sleutel die aan een draaiend onderdeel van het elektrische gereedschap is bevestigd, kan leiden tot persoonlijk letsel.

e) Reik niet te ver. Zorg te allen tijde voor een goede voet en evenwicht. Dit maakt het mogelijk betere controle over het elektrische gereedschap in onverwachte situaties.

f) Kleed je goed. Draag geen losse kleding of sieraden. Houd je haar en kleding uit de buurt van bewegende delen. Losse kleding, sieraden of lang haar kunnen vast komen te zitten in bewegende

delen. g) Indien er voorzieningen zijn voor de aansluiting van stofafzuiging en -opvang voorzieningen, zorg ervoor dat deze zijn aangesloten en correct worden gebruikt. Gebruik van stofafzuiging kan stofgerelateerde gevaren verminderen.

h) Laat de vertrouwdheid die u hebt door het veelvuldig gebruiken van gereedschap niet ertoe leiden dat u zelfgenoegzaam en negeren de principes van gereedschapsveiligheid. Een onzorgvuldige handeling kan ernstige binnen een fractie van een seconde een verwonding oplopen.

#### **Gebruik en onderhoud van elektrisch gereedschap**

a) Forceer het elektrische gereedschap niet. Gebruik het juiste elektrische gereedschap voor uw toepassing. Het juiste elektrische gereedschap zal de klus beter en veiliger klaren in het tempo waarvoor het bedoeld is. ontworpen. b)

Gebruik het elektrische gereedschap niet als de schakelaar het niet aan en uit zet. Elk elektrisch gereedschap die niet met de schakelaar kan worden bediend, is gevaarlijk en moet worden gerepareerd. c) Haal de stekker uit het stopcontact en/of verwijder de batterij, indien

afneembaar, van het elektrisch gereedschap voordat u aanpassingen maakt,

accessoires, of het opbergen van elektrisch gereedschap. Dergelijke preventieve veiligheidsmaatregelen verminderen de

risico dat het elektrische gereedschap per ongeluk wordt gestart. d) Bewaar

elektrisch gereedschap dat niet wordt gebruikt buiten het bereik van kinderen en laat geen personen het gereedschap in de buurt van kinderen houden.

onbekend zijn met het elektrisch gereedschap of deze instructies voor het bedienen van het elektrisch gereedschap niet kennen.

Elektrisch gereedschap is gevaarlijk in de handen van ongetrainde gebruikers. e) Onderhoud

elektrisch gereedschap en accessoires. Controleer op verkeerde uitlijning of vastlopen van

bewegende delen, breuk van onderdelen en elke andere toestand die de kracht kan beïnvloeden

toets werking. Als het gereedschap beschadigd is, laat het dan repareren voordat u het gebruikt. Veel

Ongelukken worden veroorzaakt door slecht onderhouden elektrisch gereedschap.

f) Houd snijgereedschappen scherp en schoon. Goed onderhouden snijgereedschappen met scherpe

Snijkanten blijven minder snel vastzitten en zijn gemakkelijker te controleren.

g) Gebruik het elektrische gereedschap, de accessoires en de gereedschapsbits etc. in overeenstemming met deze instructies, rekening houdend met de werkomstandigheden en de uit te voeren werkzaamheden uitgevoerd. Het gebruik van het elektrische gereedschap voor andere handelingen dan de beoogde handelingen kan resulteren in een gevaarlijke situatie.

h) Houd handgrepen en grijpvlakken droog, schoon en vrij van olie en vet.

Gladde handgrepen en grijpvlakken zorgen niet voor een veilige bediening en controle van het gereedschap in onverwachte situaties.

## Dienst

a) Laat uw elektrisch gereedschap onderhouden door een gekwalificeerde reparateur die uitsluitend identieke gereedschappen gebruikt. vervangende onderdelen. Dit zorgt ervoor dat de veiligheid van het elektrische gereedschap behouden blijft.

## Veiligheidsinstructies voor accugereedschap

1. Voorkom onbedoeld starten. Zorg ervoor dat de schakelaar in de uit-stand staat voordat u

aansluiten op de accu, het oppakken of dragen van het elektrische gereedschap. Het dragen van de elektrisch gereedschap met uw

vinger op de schakelaar of het activeren van elektrisch gereedschap waarvan de schakelaar aan staat nodigt uit ongelukken.

2. Koppel de accu los van het elektrisch gereedschap voordat u aanpassingen doet, accessoires verwisselt of het elektrisch gereedschap opbergt. Dergelijke preventieve veiligheidsmaatregelen het risico verkleinen dat het elektrische gereedschap per ongeluk start.

3. Laad alleen op met de door de fabrikant gespecificeerde lader. Een lader die geschikt voor één type batterijpakket kan brandgevaar opleveren bij gebruik met nog een batterijpakket.

4. Gebruik elektrisch gereedschap alleen met speciaal daarvoor bestemde accu's. Gebruik van andere batterijpakketten kunnen een risico op letsel en brand opleveren

5. Wanneer de batterij niet in gebruik is, houd deze dan uit de buurt van andere metalen voorwerpen, zoals: paperclips, munten, sleutels, spijkers, schroeven of andere kleine metalen voorwerpen die een verbinding van de ene terminal naar de andere. De batterijterminals kortsluiten kan brandwonden of brand veroorzaken.

6. Bij misbruik kan er vloeistof uit de batterij lekken; vermijd contact.

Als er per ongeluk contact optreedt, spoel dan met water. Als vloeistof in de ogen komt, moet u bovendien Zoek medische hulp. Vloeistof die uit de batterij komt, kan irritatie of brandwonden veroorzaken.

7. Gebruik geen accu of elektrisch gereedschap dat beschadigd of aangepast is. Beschadigd of aangepaste batterijen kunnen onvoorspelbaar gedrag vertonen, wat kan leiden tot brand of een explosie of risico op letsel.



8. Stel een accu of elektrisch gereedschap niet bloot aan vuur of extreme temperaturen.

Blootstelling aan vuur of temperaturen boven 130°C kunnen een explosie veroorzaken.

9. Volg alle oplaadinstructies en laad de accu of het elektrische gereedschap niet op buiten het temperatuurbereik dat in de instructies is aangegeven. Onjuist opladen of bij

Temperaturen buiten het opgegeven bereik kunnen de batterij beschadigen en de kans op schade vergroten. het risico op brand.

10. Laat het onderhoud uitvoeren door een gekwalificeerde reparateur die uitsluitend identieke onderdelen gebruikt. vervangende onderdelen. Dit zorgt ervoor dat de veiligheid van het product behouden blijft.

11. Wijzig of probeer het elektrische gereedschap of de accu niet te repareren, behalve als: zoals aangegeven in de gebruiks- en onderhoudsinstructies.

12. De batterijlader wordt heet tijdens gebruik. De hitte van de lader kan oplopen tot onveilige niveaus en een brandgevaar vormen als het niet voldoende wordt geventileerd, als gevolg van een elektrische storing of als het in een warme omgeving wordt gebruikt. Plaats de Lader op een brandbaar oppervlak. Blokkeer geen ventilatieopeningen op de lader.

Vermijd vooral het plaatsen van de oplader op tapijten en vloerkleden; deze zijn niet alleen onvlambaar, maar ze blokkeren ook de ventilatieopeningen onder de lader. Plaats de lader op een stabiel, stevig, niet-ontvlambaar oppervlak (zoals een stabiele metalen werkbank of betonnen vloer) op ten minste 30 cm afstand van alle brandbare voorwerpen, zoals gordijnen of muren. Houd een brandblusser en een rookmelder in de buurt. Regelmatig Houd de oplader en de batterij in de gaten tijdens het opladen.

13. Veiligheidswaarschuwingen voor lithiumbatterijen **LITHIUMBATTERIJEN ZIJN GROOT**

**HOEVEELHEID ENERGIE EN ZAL BRAND AFVOEREN OF EXPLODEREN ALS HET VERKEERD WORDT:**

a. Houd de accu droog. b. DOE

GEEN VAN DE VOLGENDE ACTIES MET DE ACCU: • Openen, • Laten vallen, • Kortsluiten, • Doorboren, • Verbranden of • Blootstellen aan temperaturen hoger dan dan 130°C.

c. Laad de accu alleen op volgens de instructies van de oplader. d. Controleer de accu vóór elk gebruik. Gebruik of laad hem niet op als hij beschadigd is.

### **Overige veiligheidsregels**

ÿ Houd de werkplek schoon en goed verlicht. Rommelige of donkere ruimtes nodigen uit tot ongelukken. ÿ

Gebruik geen elektrisch gereedschap in explosieve atmosferen, zoals in de aanwezigheid van

van ontvlambare vloeistoffen, gassen of stof. Elektrisch gereedschap creëert vonken die kunnen ontbranden het stof of de dampen.

- ÿ Houd kinderen en omstanders uit de buurt tijdens het bedienen van een elektrisch gereedschap. Afleidingen kan ertoe leiden dat u de controle verliest.
- ÿ Blijf alert, let op wat u doet en gebruik uw gezonde verstand bij het bedienen van een elektrisch gereedschap. Gebruik geen elektrisch gereedschap als u moe bent of onder invloed van drugs, alcohol of medicijnen.
- ÿ Gebruik persoonlijke beschermingsmiddelen, zoals een stofmasker, antislip-veiligheidsuitrusting schoenen, een helm of gehoorbescherming die voor de juiste omstandigheden worden gebruikt, zullen persoonlijk letsel verminderen.
- ÿ Voorkom onbedoeld starten. Zorg ervoor dat de schakelaar in de uit-stand staat voordat u aansluiten op de stroombron en/of accu, het gereedschap oppakken of dragen. ÿ Reik niet te ver. Zorg te allen tijde voor een goede voet en evenwicht. Dit maakt het mogelijk betere controle over het elektrische gereedschap in onverwachte situaties.
- ÿ Kleeft u goed. Draag geen losse kleding of sieraden. Houd je haar en kleding uit de buurt van bewegende delen. Losse kleding, sieraden of lang haar kunnen vast komen te zitten in bewegende delen. ÿ Wanneer de batterij niet in gebruik is, houd deze dan uit de buurt van andere metalen voorwerpen, zoals papier clips, munten, sleutels, spijkers, schroeven of andere kleine metalen voorwerpen die een verbinding van de ene terminal naar de andere.
- ÿ Laat uw elektrisch gereedschap onderhouden door een gekwalificeerde reparateur die uitsluitend identieke gereedschappen gebruikt. vervangende onderdelen. Dit zorgt ervoor dat de veiligheid van het elektrische gereedschap gewaarborgd is. onderhouden.

## **BEWAAR DEZE INSTRUCTIES**

## TECHNISCHE PARAMETERS

<b>Model</b>	Q0V-CX51-20
<b>Nominale spanning:</b>	20V
<b>Snelheid van het afdichten:</b>	1-4 mm/s
<b>Werkstroom:</b>	1A
<b>LED-stroom:</b>	200mA (alleen voor 300ml korte cilinder)
<b>LED-lumen:</b>	400-450LM (alleen voor 300 ml korte cilinder)
<b>Werkdruk:</b>	270 kg
<b>Werktijd:</b>	4 uur
<b>LED-kleurtemperatuur:</b>	6000-6500K (alleen voor 300 ml korte cilinder)
<b>LED-kleurendisplay:</b>	70-75Ra (alleen voor 300 ml korte cilinder)

## FUNCTIONELE BESCHRIJVING

### 1. TOEPASSINGEN

• U kunt deze tool gebruiken voor de volgende doeleinden:

• Het dichten van scheuren om de geconditioneerde lucht in uw huis binnen te houden en tegelijkertijd de luchtkwaliteit te verbeteren.

ongeconditioneerde buitenlucht, waardoor de energie-efficiëntie van uw huis toeneemt.

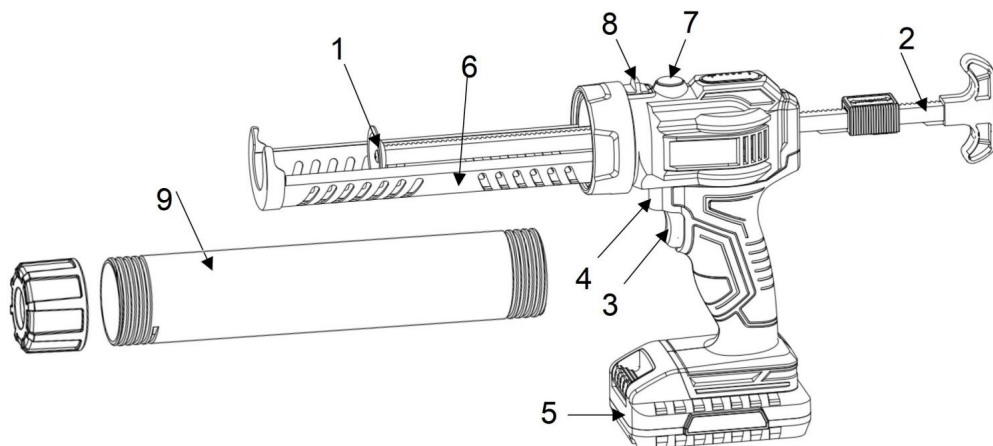
• Gat en scheuren opvullen voordat u gaat

schilderen. • Een vochtbarrière creëren rond plekken die door water beschadigd kunnen

raken. • Scheuren afdichten om te voorkomen dat insecten uw huis

binnenkruipen. • Lijm aanbrengen.

## 2. PRODUCTGEGEVENS



1. Zuigerstang 2.

Zuigerstanghendel

3. Startknop

4. Schakelaar trekker

5. Batterij

6. 300ml korte vat

7. Lichtschakelaar 8.

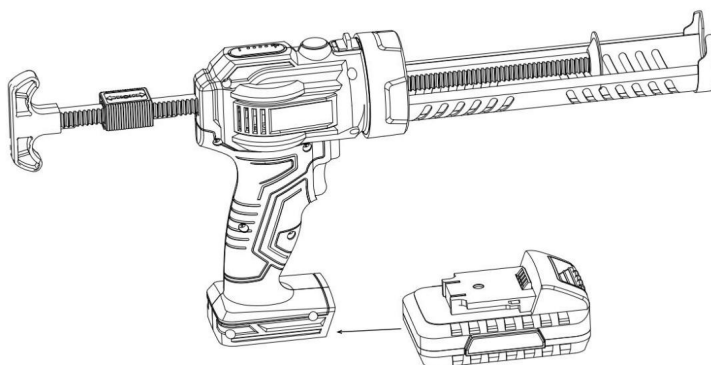
Schakelaar voor het vervangen van de

cilinder 9. 600 ml lange cilinder

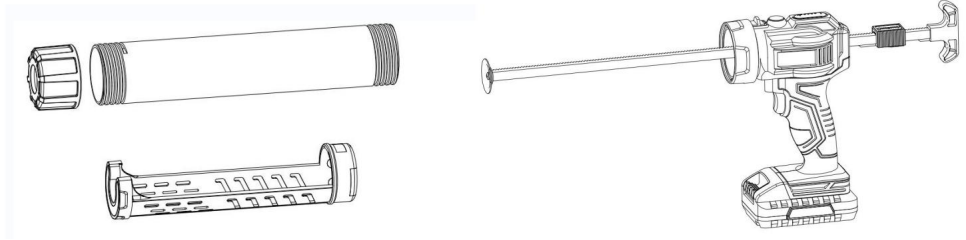
## GEBRUIKSAANWIJZING

### 1. DE BATTERIJ INSTALLEREN

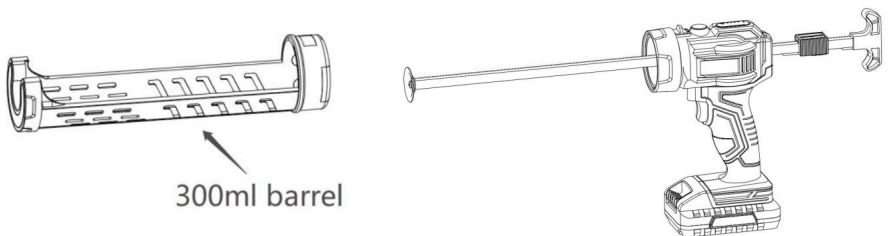
Duw de batterij naar de onderkant van het geweer.



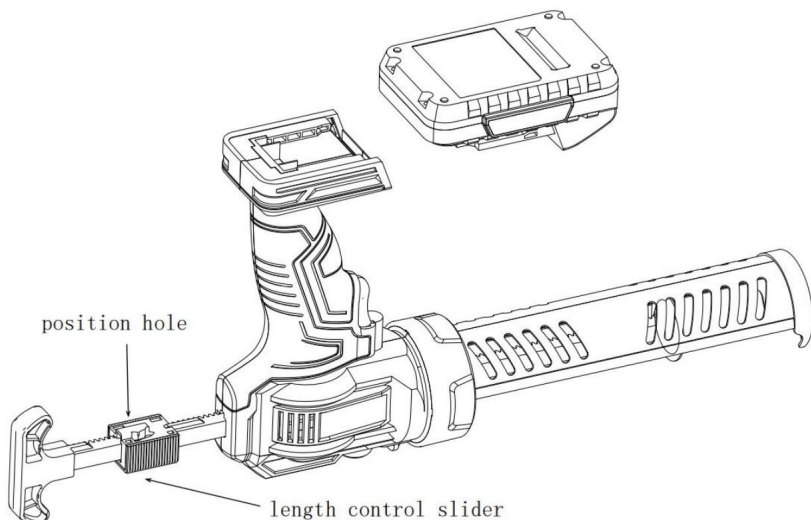
## 2. HET INSTALLEREN EN VERVANGEN VAN DE LOOP



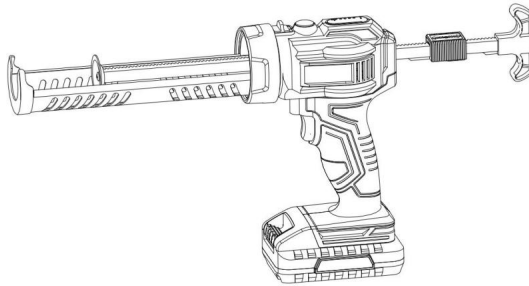
Om een 300ml patroon te installeren, plaatst u de cilinder eenvoudigweg in de bajonet onder een hoek van 90° en draait u deze terug totdat u een geluid hoort. Dit betekent dat de bevestiging is voltooid.



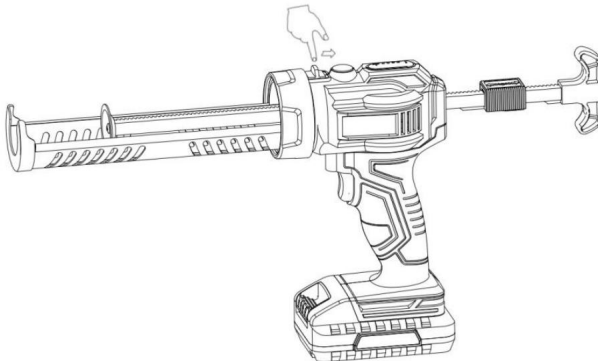
U moet ook de lengte van de zuigerstang aanpassen om deze op het 300 ml vat te laten passen. Zoals in de volgende afbeelding wordt getoond, schuift u de schuifregelaar voor de lengteregeling naar links totdat deze vastzit in het positiegat en niet meer vooruit kan.



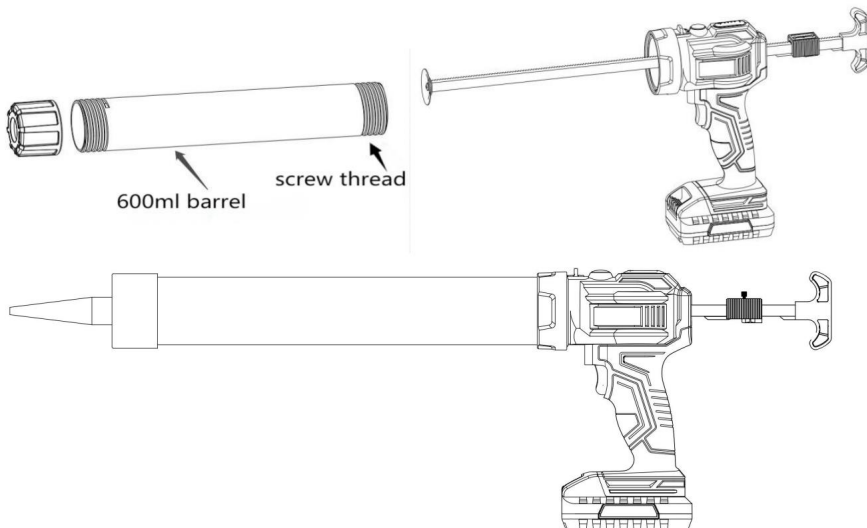
Op deze manier krijgt u een lijmpistool van 300 ml.



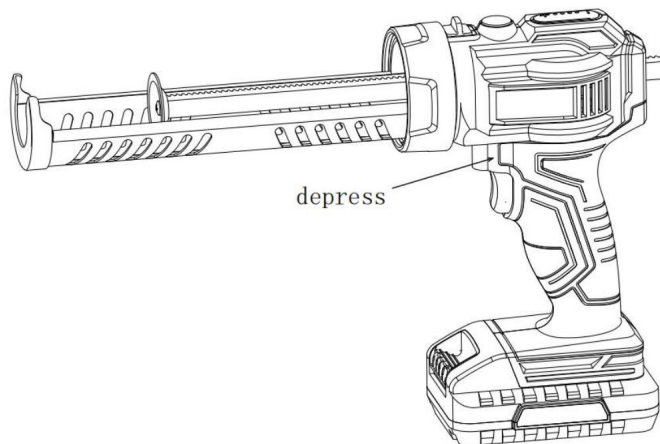
Om de 300ml-patrooncilinder te verwijderen, trekt u lichtjes aan de cilindervervangingschakelaar achteruit, draai tegelijkertijd de loop 90 graden en trek het eruit.



Om een 600ml patroon te installeren, draait u de cilinder direct.



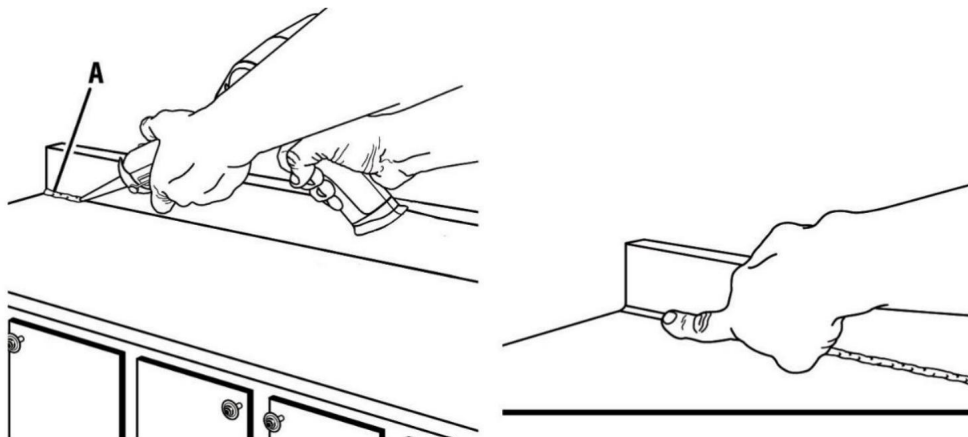
### 3. HET KITPISTOOL STARTEN/STOPPEN



Om het kitpistool AAN te zetten, drukt u op de trekkerschakelaar.

Om het kitpistool UIT te schakelen, laat u de trekkerschakelaar los.

### 4. AANBRENGEN VAN KIT



Verwijder stof, vuil of resten van oude kit. Zorg ervoor dat het te behandelen gebied gekit is schoon en droog.

Houd het pistool in een lichte hoek. Als u een scheur vult, steek dan de tuit in de scheur als mogelijk; anders met het kitpistool over het oppervlak bewegen.

Haal de trekker over, zodat de kit uit de punt van de tube komt.

Als de kitruips te smal is, snijdt u de spuitmond opnieuw af om een grotere opening te maken.

Het is echter beter om een dunne rups kit aan te brengen en indien nodig nog wat meer toe te voegen dan te veel aan te brengen en te proberen het overtollige te verwijderen.

Als er een blokkade is, kunt u de schakelaar loslaten en de plunjerstang zal automatisch ontgrendelen en achteruitrijden, controleer en zorg ervoor dat:

Het mondstuk is afgesneden.

De binnenafdichting van de kitbuis is kapot.

Uitgehard materiaal wordt uit het mondstuk verwijderd.

De kitbuis is niet beschadigd of bevroren.

De zuigerstang is vrij van kit/lijmmaterialen.

Als de motor blijft afslaan, probeer dan een andere tube materiaal of breng het gereedschap naar een geautoriseerd servicecentrum.

Beweeg het kitpistool voorzichtig en gelijkmatig langs de te vullen opening terwijl u Blijf de schakelaar ingedrukt houden. Zorg ervoor dat de kit volledig in contact komt met beide applicatieoppervlakken. Gebruik indien nodig uw vinger om voorzichtig op de kit in een hoek of scheur.

## ONDERHOUD

Gebruik bij onderhoud alleen identieke vervangende onderdelen. Gebruik van andere onderdelen kan een gevaar opleveren of schade aan het product veroorzaken.

Om ernstig persoonlijk letsel te voorkomen, moet u altijd de batterijen uit het product verwijderen bij het schoonmaken of uitvoeren van onderhoud.

Vermijd het gebruik van oplosmiddelen bij het reinigen van kunststof onderdelen. De meeste kunststoffen zijn gevoelig voor schade door verschillende soorten commerciële oplosmiddelen en kunnen door hun

Gebruik. Gebruik schone kleding om vuil, stof, olie, vet, etc. te verwijderen.

Laat remvloeistoffen, benzine, op aardolie gebaseerde producten, kruipoliën, etc. nooit in contact komen met kunststof onderdelen. Chemicaliën kunnen kunststof beschadigen, verzwakken of vernietigen, wat kan leiden tot ernstig persoonlijk letsel.



**Fabrikant:** Shanghaimuxinmuyeyouxiangongsi

**Adres:** Shuangchenglu 803nong11hao1602A-1609shi, baoshanqu, shanghai  
200000 CN.

**Geïmporteerd naar AUS:** SIHAO PTY LTD. 1 ROKEVA STREETEASTWOOD NSW 2122  
Australië

**Geïmporteerd naar de VS:** Sanven Technology Ltd. Suite 250, 9166 Anaheim Place, Rancho  
Cucamonga, CA 91730



YH CONSULTING LIMITED.

C/O YH Consulting Limited Kantoor 147, Centurion  
Huis, London Road, Staines-upon-Thames,  
Surrey, TW18 4AX



E-CrossStu GmbH

Mainzer Landstr.69,  
60329 Frankfort aan de Main.



**VEVOR**®

**TOUGH TOOLS, HALF PRICE**

**Technische ondersteuning en e-  
garantiecertificaat [www.vevor.com/support](http://www.vevor.com/support)**

# VEVOR<sup>®</sup>

## TOUGH TOOLS, HALF PRICE

Teknisk support och e-garanticertifikat

[www.vevor.com/support](http://www.vevor.com/support)

## TRÄDLÖS FOTGÖRNING

**MODELL: Q0V-CX51-20**

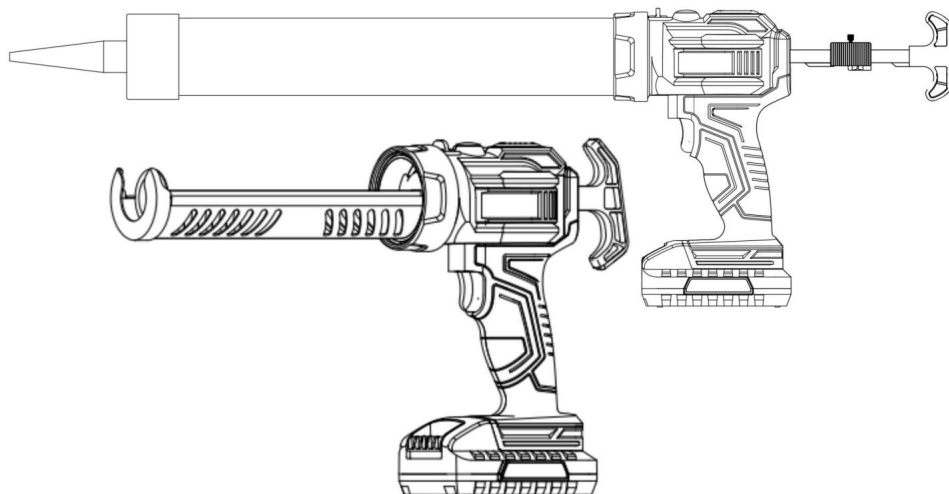
Vi fortsätter att vara engagerade i att ge dig verktyg till konkurrenskraftiga priser. "Spara halva", "halva priset" eller andra liknande uttryck som används av oss representerar bara en uppskattning av besparingar du kan dra nytta av att köpa vissa verktyg hos oss jämfört med de stora toppmärkena och doser behöver inte nödvändigtvis täcka alla kategorier av verktyg som erbjuds av oss. Du påminns vänligen om att noggrant kontrollera när du gör en beställning hos oss om du faktiskt sparar hälften i jämförelse med de främsta stora varumärkena.

# VEVOR®

TOUGH TOOLS, HALF PRICE

TRÄDLÖS FOTGÖRNING

MODELL: Q0V-CX51-20



## BEHÖVER HJÄLP? KONTAKTA OSS!

Har du produktfrågor? Behöver du teknisk support? Kontakta oss gärna:

**Teknisk support och e-garanticertifikat**  
**[www.vevor.com/support](http://www.vevor.com/support)**

Detta är den ursprungliga instruktionen, läs alla instruktioner noggrant innan du använder den. VEVOR reserverar sig för en tydlig tolkning av vår användarmanual. Utseendet på produkten är beroende av den produkt du fått. Ursäkta oss att vi inte kommer att informera dig igen om det finns någon teknik eller mjukvaruuppdateringar på vår produkt.

	<b>Varning - För</b> att minska risken för skador måste användarna läsa instruktionerna handbok noggrant.
	<b>Varning-</b> Var noga med att bära ögonskydd när du använder denna produkt.
	<b>Varning-</b> Var noga med att bära handskar när du använder denna produkt.
	<b>KORREKT AVFALLSHANTERING</b> Denna produkt omfattas av bestämmelserna i det europeiska direktivet 2012/19/EG. Symbolen som visar en soptunna på hjul korsad indikerar att produkten kräver separat sophämtning i Europeiska unionen. Detta gäller produkten och alla tillbehör märkt med denna symbol. Produkter märkta som sådana kanske inte är det kasseras med vanligt hushållsavfall men måste tas till en insamlingsställe för återvinning av elektriska och elektroniska apparater.
	<b>FCC uttalande:</b> Denna enhet uppfyller del 15 av FCC-reglerna. Operation är med förbehåll för följande två villkor:(1)Denna enhet får inte orsaka skadlig störning, och (2)denna enhet måste acceptera alla störningar mottagna, inklusive störningar som kan orsaka oönskad funktion.

## VIKTIGA SÄKERHETSVARNINGAR

**VARNING: Läs** alla säkerhetsvarningar, instruktioner, illustrationer och specifikationer

levereras med detta elverktyg. Underlåtenhet att följa alla instruktioner nedan kan resultera i elektriska stötar, brand och/eller allvarliga skador. Spara alla varningar och instruktioner för framtida referens. Termen "elverktyg" i säkerhetsinstruktionerna syftar på din Sladdlös tätningspistol.

### Säkerhet på arbetsplatsen

a) Håll arbetsområdet rent och väl upplyst. Röriga eller mörka områden leder till olyckor.

b) Använd inte elverktyg i explosionsfarlig atmosfär, t.ex. i närvaro av brandfarliga vätskor, gaser eller damm. Elverktyg skapar gnistor som kan antändas damm eller ångor.

c) Håll barn och åskådare borta när du använder ett elverktyg. Distractioner kan få dig att tappa kontrollen.

## Elsäkerhet

a) Elverktygskontakter måste matcha uttaget. Modifiera aldrig kontakten på något sätt. Do använd inte några adapterkontakter med jordade (jordade) elverktyg. Omodifierade pluggar och matchande uttag minskar risken för elektriska stötar. b) Undvik kroppskontakt med jordade eller jordade ytor, såsom rör, radiatorer, spisar och kylskåp. Det finns en ökad risk för elektriska stötar om din kropp är det jordad eller jordad. c)

Utsätt inte elverktyg för regn eller våta förhållanden. Vatten kommer in i ett elverktyg ökar risken för elektriska stötar.

d) Missbruk inte sladden. Använd aldrig sladden för att bära, dra eller koppla ur elverktyget. Håll sladden borta från värme, olja, vassa kanter eller rörliga delar.

Skadade eller trasslade sladdar ökar risken för elektriska stötar. e) När du använder ett elverktyg utomhus, använd en förlängningssladd som är lämplig för utomhusbruk. Användning av en sladd som är lämplig för utomhusbruk minskar risken för el chock.

f) Om det är oundvikligt att använda ett elverktyg på en fuktig plats, använd en rest strömenhet (RCD) skyddad matning. Användning av en jordfelsbrytare minskar risken för el chock.

## Personlig säkerhet

a) Var uppmärksam, titta på vad du gör och använd sunt förnuft när du använder en elverktyg. Använd inte ett elverktyg när du är trött eller påverkad av droger, alkohol eller mediciner. Ett ögonblick av ouppmärksamhet när du använder elverktyg kan leda till allvarliga personskador. b)Använd

personlig skyddsutrustning. Använd alltid ögonskydd. Skyddande utrustning som dammask, halkfria skyddsskor, hjälm eller hörsel skydd som används för lämpliga förhållanden kommer att minska personskador. c)

Förhindra oavsiktlig start. Se till att strömbrytaren är i avstängt läge innan ansluta till strömkälla och/eller batteripaket, plocka upp eller bära verktyget.

Att bära elverktyg med fingret på strömbrytaren eller strömsätta elverktyg som

ha strömbrytaren på inbjuder till olyckor.

d) Ta bort eventuell justeringsnyckel eller skiftnyckel innan du sätter på elverktyget. En skiftnyckel eller en nyckel som sitter kvar på en roterande del av elverktyget kan leda till personligt skada.

e) Räck inte för mycket. Håll alltid rätt fotfäste och balans. Detta möjliggör bättre kontroll över elverktyget i oväntade situationer.

f) Klä dig ordentligt. Bär inte löst sittande kläder eller smycken. Behåll ditt hår och kläder borta från rörliga delar. Lösa kläder, smycken eller långt hår kan vara fast i rörliga delar. g) Om

anordningar tillhandahålls för anslutning av dammsugning och uppsamling anläggningar, se till att dessa är anslutna och används på rätt sätt. Användning av dammuppsamling kan minska dammrelaterade faror.

h) Låt inte förtrogenhet som erhållits genom frekvent användning av verktyg tillåta dig att bli självbelåtna och ignorera verktygssäkerhetsprinciper. En slarvig åtgärd kan orsaka allvarliga skada inom en bråkdel av en sekund.

### **Användning och skötsel av elverktyg**

a) Tvinga inte elverktyget. Använd rätt elverktyg för din applikation. De rätt elverktyg kommer att göra jobbet bättre och säkrare i den takt det var för utformad.

b) Använd inte elverktyget om strömbrytaren inte slår på och av det. Vilket elverktyg som helst som inte kan styras med strömbrytaren är farligt och måste repareras. c) Koppla bort kontakten från strömkällan och/eller ta bort batteripaketet, om

löstagbar, från elverktyget innan du gör några justeringar, byter tillbehör eller förvaring av elverktyg. Sådana förebyggande säkerhetsåtgärder minskar risk för att elverktyget startas av misstag. d) Förvara

inaktiva elverktyg utom räckhåll för barn och tillåt inte personer obekant med elverktyget eller dessa instruktioner för att använda elverktyget.

Elverktyg är farliga i händerna på utbildade användare. e) Underhåll elverktyg och tillbehör. Kontrollera för felinriktning eller bindning av rörliga delar, brott på delar och andra tillstånd som kan påverka strömmen tooTs operation. Om det är skadat, låt det elverktyg repareras före användning. Många olyckor orsakas av dåligt underhållna elverktyg.

f) Håll skärverktyg vassa och rena. Korrekt underhållna skärverktyg med vassa skäreppor är mindre benägna att binda och är lättare att kontrollera.



g) Använd elverktyget, tillbehören och verktygsbitar etc. i enlighet med dessa instruktioner, med hänsyn till arbetsförhållandena och det arbete som ska utföras utförde. Användning av elverktyget för andra operationer än de avsedda skulle kunna resultera i en farlig situation.

h) Håll handtag och greppytor torra, rena och fria från olja och fett. Halta handtag och greppytor tillåter inte säker hantering och kontroll av verktyget i oväntade situationer.

## Service

a) Låt en kvalificerad reparatör serva ditt elverktyg som endast använder identiskt verktyg reservdelar. Detta säkerställer att elverktygets säkerhet upprätthålls.

## Batteriverktyg Säkerhetsinstruktioner

1. förhindra oavsiktlig start. Se till att strömbrytaren är i avstängt läge innan ansluta till batteripaketet, plocka upp eller bära elverktyget. Att bära elverktyg med din

finger på strömbrytaren eller strömförande elverktyg som har strömbrytaren på inbjuder olyckor.

2. Koppla bort batteripaketet från elverktyget innan du gör några justeringar, byter tillbehör eller förvarar elverktyget. Sådana förebyggande säkerhetsåtgärder minskar risken för att elverktyget startas av misstag.

3. Ladda endast med den laddare som specificerats av tillverkaren. En laddare alltså lämplig för en typ av batteripaket kan skapa brandrisk vid användning med ett annat batteripaket.

4. Använd endast elverktyg med specifikt avsedda batteripaket. Användning av någon andra batteripaket kan skapa risk för skador och brand

5. När batteriet inte används, håll det borta från andra metallföremål, som t.ex gem, mynt, nycklar, spikar, skruvar eller andra små metallföremål, som kan göra en anslutning från en terminal till en annan. Kortslutning av batteripolerna kan orsaka brännskador eller brand.

6. Under dåliga förhållanden kan vätska spruta ut från batteriet; undvika kontakt. Om kontakt inträffar av misstag, spola med vatten. Om vätska kommer i kontakt med ögonen, dessutom söka medicinsk hjälp. Vätska som sprutas ut från batteriet kan orsaka irritation eller brännskador.

7. Använd inte ett batteripaket eller ett elverktyg som är skadat eller modifierat. Skadad eller modifierade batterier kan uppvisa oförutsägbart beteende som resulterar i brand, explosion eller risk för skada.

8. Utsätt inte ett batteripaket eller ett elverktyg för eld eller för hög temperatur.

Exponering för eld eller temperaturer över 265°F kan orsaka explosion.

9. Följ alla laddningsinstruktioner och ladda inte batteripaketet eller elverktyget utanför det temperaturområde som anges i instruktionerna. Laddar felaktigt eller kl

temperaturer utanför det specificerade området kan skada batteriet och öka brandrisken.

10. Låt en kvalificerad reparatör utföra service med endast identiska reservdelar. Detta kommer att säkerställa att produktens säkerhet upprätthålls.

11. Modifiera eller försök inte reparera elverktyget eller batteripaketet förutom som anges i bruks- och skötselanvisningen.

12. Batteriladdaren blir varm under användning. Laddarens värme kan byggas upp till osäkra nivåer och skapar en brandrisk om den inte får tillräcklig ventilation, på grund av ett elektriskt fel eller om den används i en varm miljö. Placera inte

Laddare på en brandfarlig yta. Blockera inte några ventiler på laddaren.

Undvik särskilt att placera laddaren på mattor och mattor; de är inte bara brandfarliga, men de blockerar också ventilerna under laddaren. Placera laddaren på en stabil, solid, icke brännbar yta (som en stabil arbetsbänk av metall eller betonggolv) minst 1 fot bort från alla brandfarliga föremål, såsom draperier eller väggar. Håll en brandsläckare och en rökdetektor i området. Ofta övervaka laddaren och batteripaketet under laddning.

13. Säkerhetsvarningar för litiumbatterier **LITIUMBATTERIER FÖRVARAR EN STOR ENERGIMÄNGD OCH KOMMER ATT VÄNTA BRAND ELLER EXPLODERA VID FELBEHANDLING:**

a. Håll batteripaketet torrt. b.

GÖR INTE NÅGOT AV FÖLJANDE I BATTERIPACKET: • Öppna, • Tappa, • Kortslua, • punktera, • bränna eller • Utsätta för högre temperaturer än 265°F.

c. Ladda batteripaketet endast enligt laddarens instruktioner. d. Inspektera batteripaketet före varje användning; Använd eller ladda inte om den är skadad.

## **Andra säkerhetsregler**

ÿ Håll arbetsområdet rent och väl upplyst. Röriga eller mörka områden leder till olyckor. ÿ Använd inte elverktyg i explosionsfarlig atmosfär, t.ex. i närvaro

av brandfarliga vätskor, gaser eller damm. Elverktyg skapar gnistor som kan antändas damm eller ångor.

- Håll barn och åskådare borta när du använder ett elverktyg. Distractioner kan få dig att tappa kontrollen.
- Var uppmärksam, titta på vad du gör och använd sunt förnuft när du använder en elverktyg. Använd inte ett elverktyg när du är trött eller påverkad av droger, alkohol eller mediciner.
- Använd personlig skyddsutrustning, såsom dammmask, halkskydd skor, hjälm eller hörselskydd som används för lämpliga förhållanden minska personskador.
- Förhindra oavsiktlig start. Se till att strömbrytaren är i avstängt läge innan ansluta till strömkälla och/eller batteripaket, plocka upp eller bära verktyget. • Sträck dig inte för mycket. Håll alltid rätt fotfäste och balans. Detta möjliggör bättre kontroll över elverktyget i oväntade situationer.
- Klä dig ordentligt. Bär inte löst sittande kläder eller smycken. Behåll ditt hår och kläder borta från rörliga delar. Lösa kläder, smycken eller långt hår kan vara fast i rörliga delar. • När batteriet inte används, håll det borta från andra metallföremål, som papper klämmor, mynt, nycklar, spikar, skruvar eller andra små metallföremål, som kan göra en anslutning från en terminal till en annan.
- Låt ditt elverktyg servas av en kvalificerad reparatör som endast använder identiska reservdelar. Detta kommer att säkerställa att elverktygets säkerhet är bibehålls.

## **SPARA DESSA INSTRUKTIONER**

## TEKNISKA PARAMETRAR

<b>Modell</b>	Q0V-CX51-20
<b>Märkspänning:</b>	20V
<b>Tätningshastighet:</b>	1-4 mm/s
<b>Arbetsström:</b>	1A
<b>LED-ström:</b>	200mA (endast för 300 ml kort tunna)
<b>LED-lumen:</b>	400-450LM (endast för 300 ml kort fat)
<b>Arbetsstryck:</b>	270 kg
<b>Arbets tid:</b>	4 timmar
<b>LED färgtemperatur:</b>	6000-6500K (endast för 300 ml kort fat)
<b>LED färgdisplay:</b>	70-75Ra (endast för 300 ml kort fat)

## FUNKTIONSBESKRIVNING

### 1. APPLIKATIONER

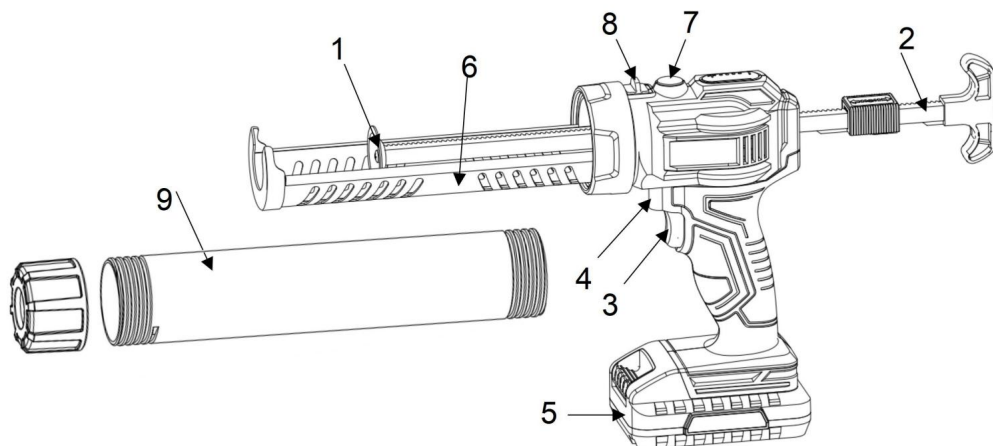
• Du kan använda det här verktyget för följande ändamål:

• Täta sprickor för att hålla ditt hems konditionerade luft inne samtidigt som den behålls okonditionerad luft utanför, vilket ökar ditt hems energieffektivitet.

• Fyllning av hål och sprickor före målning. •

Skapa en fuktbarriär runt områden som kan skadas av vatten. • Täta sprickor för att förhindra att insekter kryper in i ditt hem. • Applicera lim.

## 2. PRODUKTINFORMATION



1. Kolvstång 2.

Kolvstångshandtag

3. Startknapp

4. Strömbrytare 5.

Batteri

6. 300ml kort fat

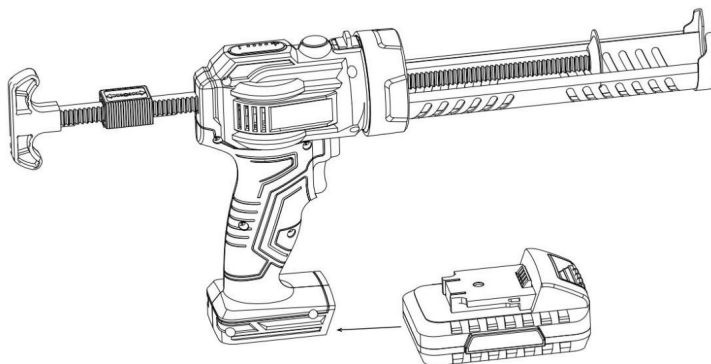
7. Ljusomkopplare

8. Byte av fat 9. 600 ml lång fat

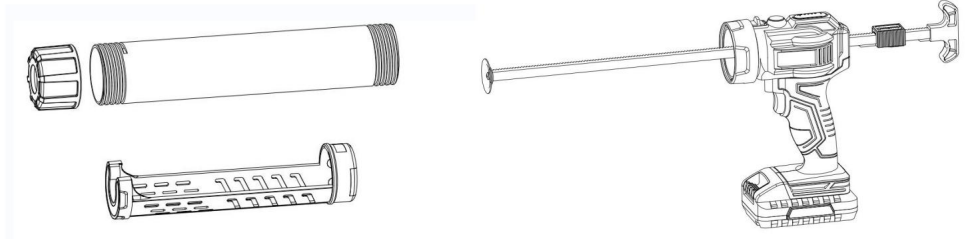
## BRUKSANVISNING

### 1. ATT INSTALLERA BATTERIET

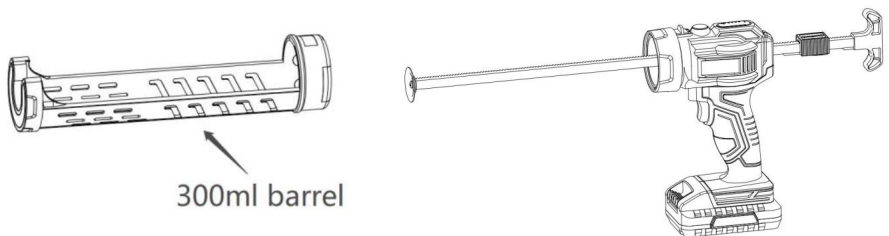
Skjut batteriet till botten av pistolen.



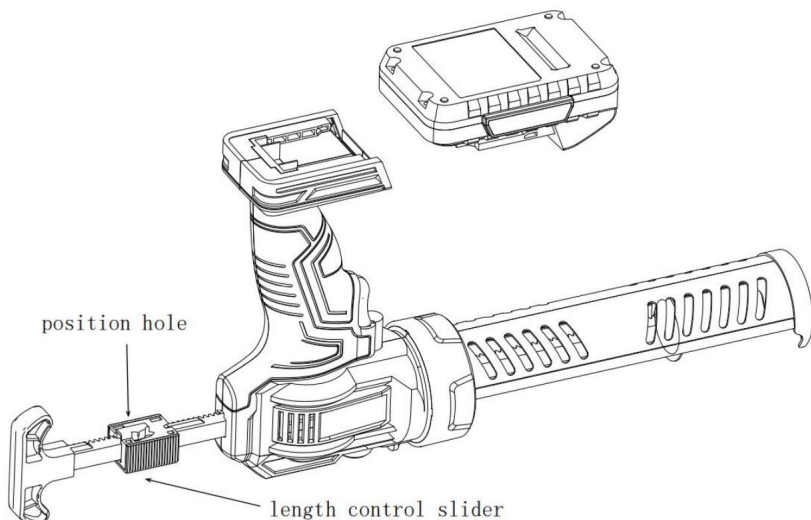
## 2. ATT INSTALLERA OCH BYTA UT TUNNAN



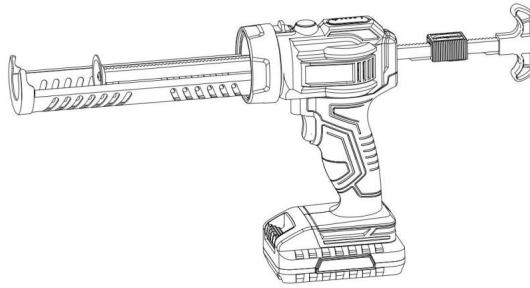
För att installera 300 ml patronhylsa, sätt bara in cylindern i bajonetten i en vinkel på 90 ° och vrid tillbaka den tills ett ljud hörs, det vill säga fixeringen är klar.



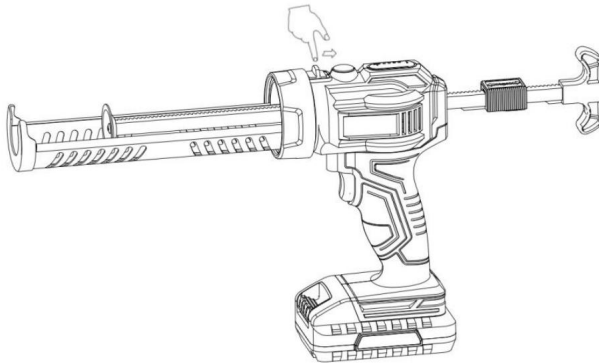
Du måste också ändra längden på kolvstången så att den passar 300 ml cylindern. Som visas i följande figur, skjut längdkontrollreglaget åt vänster tills det fastnar i positionshålet och inte kan röra sig framåt.



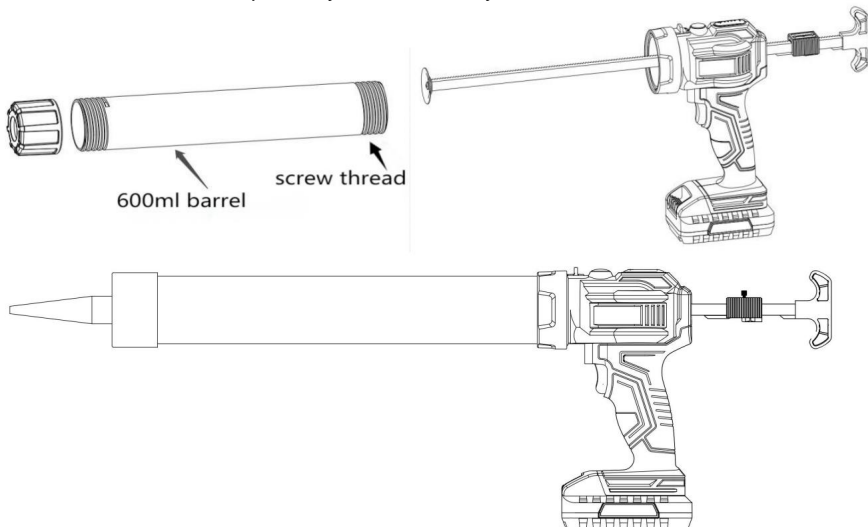
På så sätt får du en 300ml limpistol.



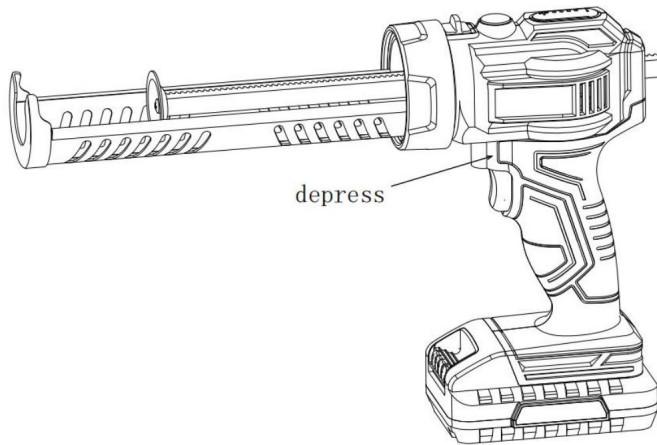
För att ta bort 300 ml patroncyllindern, dra lätt i bytesomkopplaren bakåt, rotera samtidigt pipan med 90 och dra ut den.



För att installera 600 ml patroncyllinder, rotera cylindern direkt.

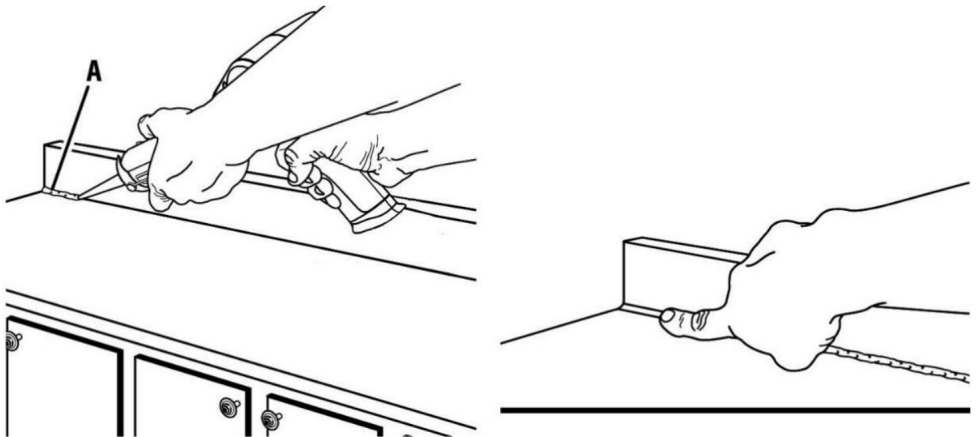


### 3. STARTA/STOPPA FÄTNINGSPISTOLEN



För att slå PÅ tätningspistolen trycker du på avtryckaren.  
Släpp avtryckaren för att stänga av tätningspistolen.

### 4. ANVÄNDNING AV CAULK



Ta bort eventuellt damm, smuts eller rester av gammal fogmassa. Se till att området ska vara caulked är ren och torr.

Håll pistolen i en liten vinkel. Om du fyller en spricka, sätt in pipen i sprickan om möjlig; annars kör du tätningspistolen längs ytan.

Kläm på avtryckaren så att tätningen kan tränga ut från rörspetsen.



Om tätningssträngen är för smal, skär munstycket igen för att ge en större öppning.

Det är dock bättre att applicera en tunn sträng av caulk och lägga till lite mer om det behövs än att applicera för mycket och försöka ta bort överskottet.

Om det är blockerat kan du släppa avtryckaren och dykstången blir det automatiskt låsa upp och stänga av, kontrollera och se till att:

Munstycksspetsen är skuren.

Den inre tätningen i tätningsröret är bruten.

Härdat material tas bort från munstycket.

Caulk-röret är inte skadat eller fruset.

Kolvstången är fri från tätning/lim.

Om motorn fortsätter att stängas av, prova ett annat materialrör eller ta verktyget till en auktoriserat servicecenter.

Flytta försiktigt tätningspistolen i jämn takt längs gapet som ska fyllas när du är försatt att trycka på avtryckaren. Se till att tätningen kommer i full kontakt med båda appliceringssytorna. Om det behövs, använd fingret för att försiktigt trycka på täta in i ett hörn eller spricka.

## UNDERHÅLL

Använd endast identiska reservdelar vid service. Användning av andra delar kan skapa en fara eller orsaka produktskador.

För att undvika allvarliga personskador, ta alltid ut batterierna från produkten vid rengöring eller underhåll.

Undvik att använda lösningsmedel vid rengöring av plastdelar. De flesta plaster är mottagliga för skada från olika typer av kommersiella lösningsmedel och kan skadas av deras användning. Använd rena kläder för att ta bort smuts, damm, olja, fett etc.

Låt aldrig bromsvätskor, bensin, petroleumbaserade produkter, penetrerande oljor etc. komma i kontakt med plastdelar. Kemikalier kan skada, försvaga eller förstöra plast vilket kan leda till allvarliga personskador.

**Tillverkare:** Shanghaimuxinmuyeyouxiangongsi

**Adress:** Shuangchenglu 803nong11hao1602A-1609shi, baoshanqu, shanghai  
200 000 CN.

**Importerad till AUS:** SIHAO PTY LTD. 1 ROKEVA STREETEASTWOOD NSW 2122  
Australien

**Importerad till USA:** Sanven Technology Ltd. Suite 250, 9166 Anaheim Place, Rancho  
Cucamonga, CA 91730



YH CONSULTING LIMITED.

C/O YH Consulting Limited Office 147, Centurion  
House, London Road, Staines-upon-Thames,  
Surrey, TW18 4AX



E-CrossStu GmbH

Mainzer Landstr.69,  
60329 Frankfurt am Main.



**VEVOR**®

**TOUGH TOOLS, HALF PRICE**

**Teknisk support och e-garanticertifikat**

**[www.vevor.com/support](http://www.vevor.com/support)**