

# **VEVOR<sup>®</sup>**

**TOUGH TOOLS, HALF PRICE**

Technical Support and E-Warranty Certificate [www.vevor.com/support](http://www.vevor.com/support)

## **CAR REFRIGERATOR**

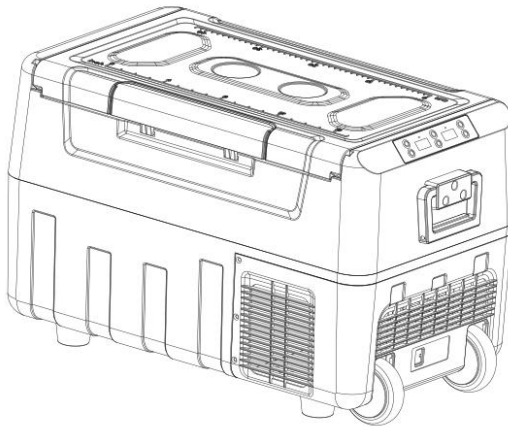
### **USER MANUAL**

**MODEL: T35K T45K T55K**

We continue to be committed to provide you tools with competitive price.

"Save Half", "Half Price" or any other similar expressions used by us only represents an estimate of savings you might benefit from buying certain tools with us compared to the major top brands and does not necessarily mean to cover all categories of tools offered by us. You are kindly reminded to verify carefully when you are placing an order with us if you are actually saving half in comparison with the top major brands.

T35K T45K T55K



<Picture Only For Reference >

### NEED HELP? CONTACT US!

Have product questions? Need technical support? Please feel free to contact us:

 [CustomerService@vevor.com](mailto:CustomerService@vevor.com)

This is the original instruction, please read all manual instructions carefully before operating. VEVOR reserves a clear interpretation of our user manual. The appearance of the product shall be subject to the product you received. Please forgive us that we won't inform you again if there are any technology or software updates on our product.



This product is subject to the provision of European Directive 2012/19/EU. The symbol showing a wheeled bin crossed through indicates that the product requires separate refuse collection in the European Union. This applies to the product and all accessories marked with this symbol. Products marked as such may not be discarded with normal domestic waste, but must be taken to a collection point for recycling electrical and electronic devices.

## Attentions

Before using the refrigerator, please read this manual carefully and keep it properly.

1. Before using the refrigerator, clean it inside and outside with a damp cloth.
2. Do not fill the refrigerator with corrosive liquids. Do not directly pour liquids into the refrigerator.
3. When the refrigerator is not used for a long time, please disconnect the power supply and keep it dry.
4. Regularly clean the inner chamber to prevent odor and bacteria and ensure food safety.
5. This manual applies to T35K/T45K /T55K refrigerators (American and European markets).

## Connect the Power Supply

1. Find the DC power cord in the kit. Connect DC plug to the power outlet of the

car refrigerator.

2. Well place the refrigerators in the car (back-up, seats....).

3. Lay out power cords per your car's interior space. Then, insert the cigarette lighter plug (one side of the power cord) into the car cigarette lighter hole.

4. Press "ON/OFF" for 3 seconds, and the car refrigerator can be turned on.



Adapter

Connect the car cigarette lighter

Connect the car refrigerator

The product can be connected to more than one power supply.

The onboard refrigerator is directly connected to the DC12V/24V DC power supply.

The car refrigerator equipped with an AC100-240V AC adapter can be used at home with a voltage of AC100-240V.

## Instructions

### Car battery protection voltage reference:

Built-in ECO electronic control module can automatically monitor the vehicle battery voltage. Before the power consumption affects the standard ignition of the vehicle, the onboard refrigerator will automatically disconnect the power supply to ensure that the vehicle battery power will not be too low to affect the standard ignition of the vehicle.

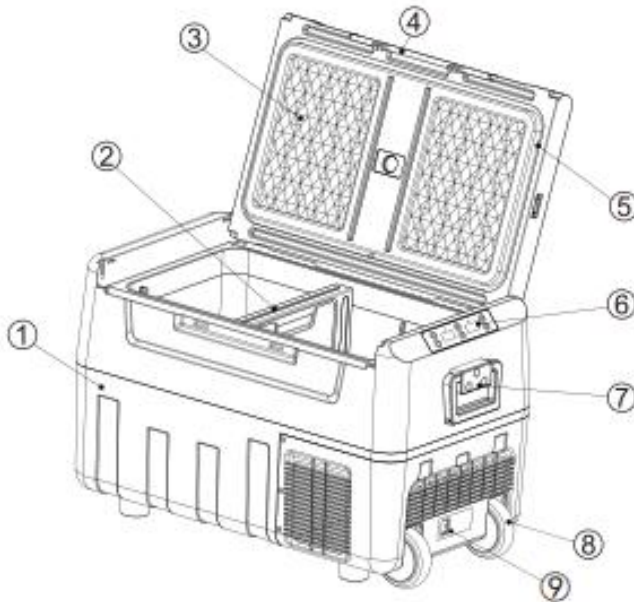
Battery Voltage	Factory default voltage protection value H		
	H (high) level	M (medium) level	L (low) level
DC12V	DC11.3V OFF	DC10.1V OFF	DC9.6V OFF
	DC12.5V ON	DC11.4V ON	DC10.9V ON

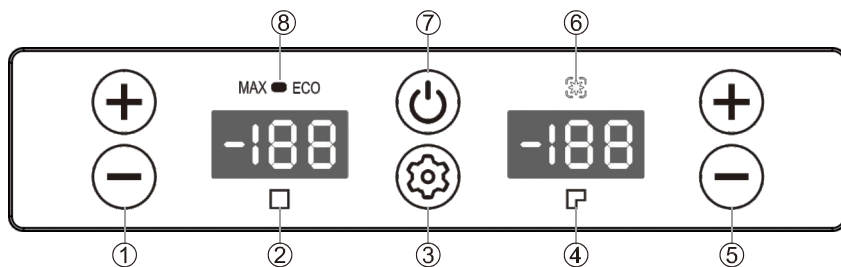
<b>DC24V</b>	DC24.6V OFF	DC22.3V OFF	DC21.3V OFF
	DC26.0V ON	DC23.7V ON	DC22.7V ON

**Note:** When the power supply is connected and the refrigerator is turned on, disconnecting or starting refers to disconnecting or starting the compressor.

## Component Diagram

1. Cabinet
2. Classified plate
3. Case Cover
4. Door buckle
5. Sealing Strip
6. Control panel
7. Handle ( optional )
8. Wheel ( optional )
9. Power Interface





- ① Setting for large compartment ② large compartment ③ Setting button  
 ④ Small compartment ⑤ Setting for small compartment ⑥ Cooling indicator  
 ⑦ ON/OFF button ⑧ Max/Eco

### △Function Introduction

After power-on, the digital display screen will be fully lit for 1 second and displayed normally. The default is the last memory function. The display screen temperature figure will be permanently lit in the middle in standby mode.

#### 1. Open and Close

After the power is turned on, the refrigerator will be in standby mode.

Now, press the ON/OFF button to open the refrigerator. After the refrigerator is opened, the display will show the current temperature of the storage room. It will start running.

Warning: The displayed temperature is only the temperature around the sensor. The temperature of different points in the storage room is different.

Therefore, this is normal if the displayed temperature differs from the measured temperature.


Press the ON/OFF button when the refrigerator is running, and the refrigerator will return to standby.

#### 2. Temperature Setting

1) Switch on the fridge, press ⊕ to raise the set temperature and ⊖ to reduce the storage compartment's temperature. Each press will change by 1 °C, and the maximum can be set to 10 °C, and the minimum can be set to - 20 °C. Please note the clipboard shall be located in the correct position before the set temperature of the large compartment.

- 2) If the clapboard is removed from the compartment, the temperature display of the small compartment will be off. In this condition, there is only one storage compartment.
- 3) The temperature display will flash for 3 seconds and then fix the setting after adjusting the temperature and no more action on buttons. The setting temperature will be memorized, and the display will turn back to show the actual temperature of the storage compartment.
- 4) The default value for an initial startup is 0 °C/32 °F.

### 3. MAX / ECO Mode Conversion

Directly press  key to switch to MAX mode or ECO mode.


MAX running mode: the fridge will work hard to reduce temperature fast.

ECO running model: the fridge will work longer to reduce the temperature to save energy.

### 4. Celsius (° C)/Fahrenheit (° F) display switching

Press and hold the "+" key and the setting key on the left (large box) for over 3 seconds to switch.

### 5. Battery Protection Levels: H1 (High) N2 (Low) L3 (Medium)

Press  key for 3s to enter the battery protection setting. Press the key again to switch H1 N2 L3 levels in turns.

If no operations were detected, the set level will flash for 3s, then exit and save the current setting.

### Model Parameter Table:

Model No.	Capacity	Voltage	AC Power	DC Power	Temperature Adjustable	Plug type
T35K	35L	AC100~240V (50/60Hz) DC12V/24V	Cooling : 60W	Cooling 60W	50~ 4°F	USA plug DC plug

T35K	35L	AC100~240V (50/60Hz)D C 12V/24V	Cooling : 60W	Cooling : 60W	10~ 20 °C	EU plug DC plug
T45K	45L	AC 100~240V (50/60Hz)D C 12V/24V	Cooling : 60W	Cooling : 60W	50~ 4°F	USA plug DC plug
T45K	45L	AC 100~240V (50/60Hz)D C 12V/24V	Cooling : 60W	Cooling : 60W	10~ 20 °C	EU plug DC plug
T55K	55L	AC 100~240V (50/60Hz)D C 12V/24V	Cooling : 60W	Cooling : 60W	50~ 4°F	USA plug DC plug
T55K	55L	AC 100~240V (50/60Hz)D C 12V/24V	Cooling : 60W	Cooling : 60W	10~ 20 °C	EU plug DC plug

### Notice for Temperature Setting

Insert the clapboard in the correct position of the storage compartment, and then switch on the fridge. The display will show the temperature of two storage compartments. When adjusting temperature, setting the temperature of the small compartment(TS) is not able to be higher than setting the temperature of the big compartment (TL).

TS ≤ TL

For example, if the set temperature of the small compartment (TS) to -10°C (14°F), the range of setting temperature of the large compartment (TL) is from -10°C (14°F) to 10°C (50°F). Tips: use a large compartment for fresh food and a small compartment for frozen food.



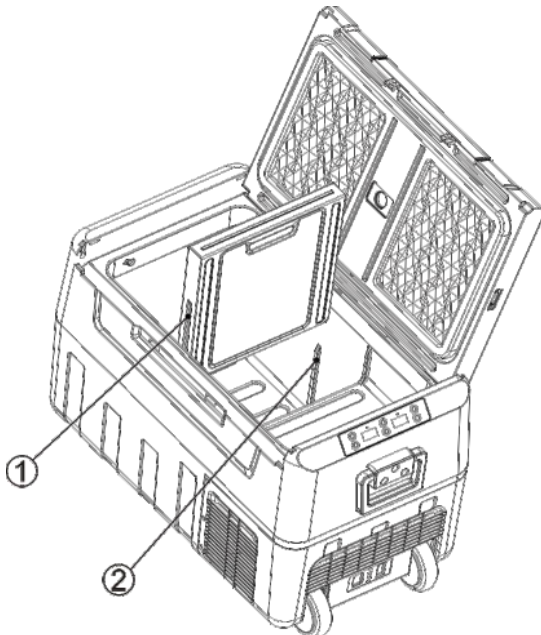
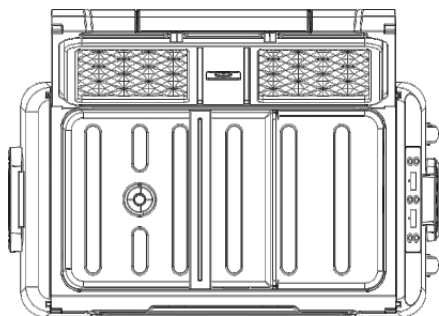
## Power-off Memory Function

There is a power-off memory function for car refrigerators. When the power is lost, the working state (On/Off status, working mode, etc.) before power-off can be automatically recovered at the next startup; no need to set it again.

ECO: Energy-saving cooling MAX: Powerful cooling

## Use Clapboard

1. Align with two rails on inner liner.
2. Vertically push clapboard to bottom of liner.



## Simple Fault Analysis

**Advice:** If abnormal situations cannot be resolved through a simple fault analysis, please get in touch with professional customer service for assistance.

### I. Car Refrigerator Does Not Work

1. Check if the power is connected correctly. (check if the plug is loosened or positive and negative poles are reversed).
2. Check if the power switch on the operation panel is turned on.
3. Check if the cooling ventilation is normal.
4. Check if the fuse is blown.

### II. Poor Cooling Performance

1. Check if the lid is closed correctly.
2. Check if the door seal is damaged or deformed.
3. Check if there is poor ventilation around the fridges.
4. Check if the temperature is set correctly.

### △Definition Of Error Codes On The Display

Error Code	Error Type
E1	Low Input Voltage
E2	Fan Fault
E3	Compressor start failed
E4	Low Rotational Speed of Compressor
E5	Controller module temperature too high
E6	Open or Short Circuit of NTC

### III. Abnormal Noise

1. The car refrigerator needs to be placed smoothly.
2. Touch a wall or other object.
3. There are parts loose or falling off inside.

### IV. Condensation on Refrigerator Surface

When the ambient air humidity exceeds 75%, slight condensation will occur on the box surface, which is normal.

## Failures and Solutions

### **△E1: Low Input Voltage**

Failure 1: Insert the refrigerator power cord into the cigarette lighter before the car starts. Solution 1: Wait a while to connect the car after it starts.

Failure 2: The input voltage of the adapter is too low.

Solution 2: Adjust the battery protection level to middle-voltage or low-voltage. If it doesn't work, please replace a new adapter.

### **△E2: Fan Fault**

Please replace a new fan when you identify there is a fan malfunction.

### **△E3: Input Voltage Fault Due to Compressor Frequently Start**

When the refrigerator is used in the car, and E3 appears, Please shut it down for 5 minutes and restart it.

If it doesn't work, that can be identified to be EI fault; please solve it according to the solution of EI.

When the refrigerator is connecting with the adapter and E3 appearing

- ① Please adjust the battery protection level to the middle or low level.
- ② If it doesn't work, please replace a new adapter.

### **△E4: Low Rotational Speed of Compressor**

Please adjust the input voltage and repower it.

### **△E5: Overheating of Controller Chip**

Please power off for 5 minutes and check if the lousy ventilation around the

compressor causes the overheating.

## Use Suggestions

1. If equipped with a backup battery, you can maintain any temperature you set under any circumstances without worries.
2. When placing ice cream, please adjust the temperature to the lowest; it must be powered on for a long time.
3. Prevent the health problems of drinking bottled water caused by high temperatures.
4. Frozen food, rare seafood, and vehicle-mounted refrigerators let frozen fresh food accompany the journey.
5. Healthcare products, insulin, and imported drugs need to be refrigerated, and the precise temperature control of onboard refrigerators will escort health along the way.
6. The tea leaves are effectively kept fresh in the car refrigerator, and you can drink fresh and delicious tea anytime during the self-driving tour.
7. The best storage temperature of red wine is 10 °C - 18 °C (50 - 64.4 °F). The precise temperature control of the car refrigerator can effectively ensure the storage temperature of red wine.
8. The storage time of high-grade fruit in the car at high summer temperatures will be at least 2 hours. The storage time is shorter even if the air conditioner is turned on. Using a car refrigerator can effectively preserve high-grade fruit.
9. The coating of high-grade sunglasses will fall off under the high temperature in summer. The car refrigerator is an ideal place to place it.
10. High-grade cosmetics quickly deteriorate under high temperatures in the car. Carry cosmetics with the car; the car refrigerator will be your better choice.

## Safety Precautions

- (1) Ensure that the power voltage connected to the onboard refrigerator is correct

at any time (The parameters are labeled with the approved voltage parameters of the onboard refrigerator).

(2) Do not pour liquid directly into the car refrigerator.

(3) Modifying the refrigerator without permission is forbidden to avoid danger.

(4) This appliance is not intended for use by persons (including children) with reduced physical, sensory, or mental capabilities or lack of experience and knowledge unless they have been given supervision or instruction concerning the use of the appliance by a person responsible for their safety.

(5) Children should be supervised to avoid playing with the appliance.

(6) This appliance can be used by children aged from 8 years and above and persons with reduced physical, sensory or mental capabilities or lack of experience and knowledge if they have been given supervision or instruction concerning use of the appliance in a safe way and understand the hazards involved. Children shall not play with the appliance. Cleaning and user maintenance shall not be made by children without supervision.

(7) To avoid a hazard due to the instability of the appliance, it must be fixed under the instructions.

(8) Do not store explosive substances such as aerosol cans with a flammable propellant in this appliance.

**WARNING:** This appliance contains flammable foaming agent cyclopentane:

1) Please avoid contact fire when you transport and use it.

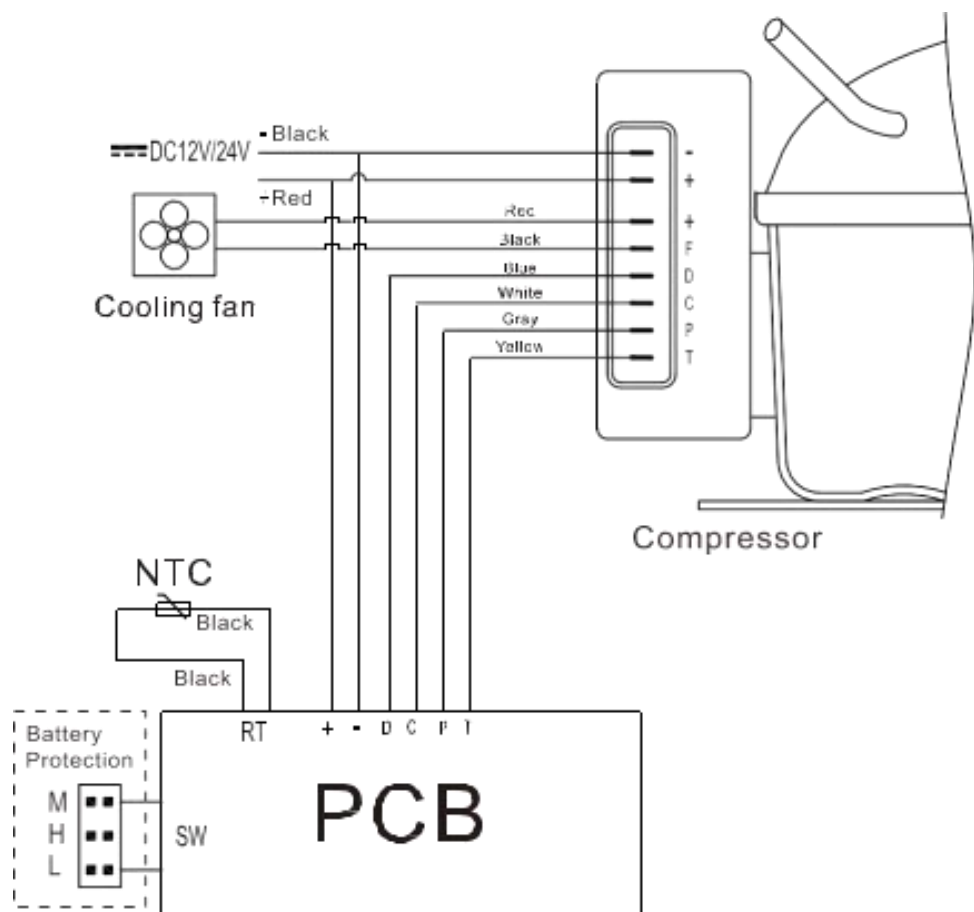
2) Please ask a professional for servicing when the machine breaks down.

3) Please send it to your local appointed disposal station when you discard it.



**WARNING:** During use, service, and disposal of the appliance, please pay attention to a symbol similar to the left side, which is located on the rear of the appliance (rear panel or compressor) and with yellow or orange color. It's a risk of fire warning symbol. There are flammable materials in refrigerant pipes and compressors. Please be far away fire source during use, service, and disposal.

## Electrical Schematic Diagram





**VEVOR<sup>®</sup>**

**TOUGH TOOLS, HALF PRICE**

**Technical Support and E-Warranty Certificate**

**<https://www.vevor.com/support>**



# **VEVOR<sup>®</sup>**

## **TOUGH TOOLS, HALF PRICE**

Assistance technique et certificat de garantie électronique [www.vevor.com/support](http://www.vevor.com/support)

### **RÉFRIGÉRATEUR DE VOITURE**

### **MANUEL D'UTILISATION**

**MODÈLE : T35K T45K T55K**

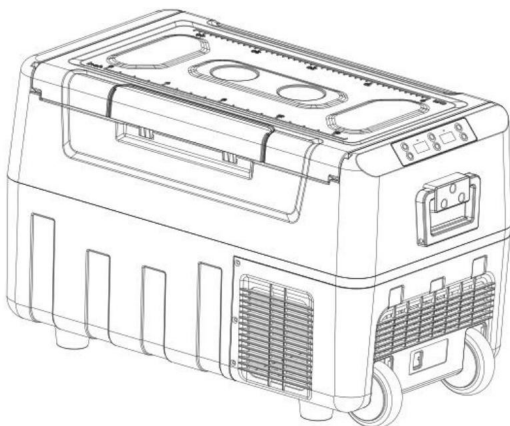
Nous continuons à nous engager à vous fournir des outils à des prix compétitifs.

« Économisez la moitié », « Moitié prix » ou toute autre expression similaire utilisée par nous ne représente qu'une estimation des économies que vous pourriez réaliser en achetant certains outils chez nous par rapport aux grandes marques et ne couvre pas nécessairement toutes les catégories d'outils que nous proposons. Nous vous rappelons de bien vouloir vérifier soigneusement lorsque vous passez une commande chez nous si vous économisez réellement la moitié par rapport aux grandes marques.

# VEVOR®

Réfrigérateur de voiture

T35K T45K T55K



<Photo à titre indicatif seulement>

**BESOIN D'AIDE? CONTACTEZ-NOUS!**

Vous avez des questions sur nos produits ? Vous avez besoin d'assistance technique ? N'hésitez pas à nous contacter :

 [ServiceClient@vevor.com](mailto:ServiceClient@vevor.com)

Ceci est l'instruction originale, veuillez lire toutes les instructions du manuel attentivement avant d'utiliser. VEVOR se réserve une interprétation claire de nos manuel d'utilisation. L'apparence du produit sera soumise à la produit que vous avez reçu. Veuillez nous excuser, nous ne vous informerons plus si il y a des mises à jour technologiques ou logicielles sur notre produit.



Ce produit est soumis aux dispositions de la directive européenne 2012/19/UE. Le symbole représentant une poubelle à roulettes barrée indique que le produit nécessite une collecte séparée des déchets dans le Union européenne. Ceci s'applique au produit et à tous les accessoires marqués de ce symbole. Les produits marqués comme tels ne peuvent pas être jeté avec les ordures ménagères normales, mais doit être apporté à un point de collecte pour le recyclage des appareils électriques et électroniques.

## Attention

Avant d'utiliser le réfrigérateur, veuillez lire attentivement ce manuel et le conserver correctement.

1. Avant d'utiliser le réfrigérateur, nettoyez-le à l'intérieur et à l'extérieur avec un chiffon humide.
2. Ne remplissez pas le réfrigérateur avec des liquides corrosifs. Ne versez pas directement de liquides dans le réfrigérateur.
3. Lorsque le réfrigérateur n'est pas utilisé pendant une longue période, veuillez débrancher l'alimentation. approvisionnez-le et gardez-le au sec.
4. Nettoyez régulièrement la chambre intérieure pour éviter les odeurs et les bactéries et assurer sécurité alimentaire.
5. Ce manuel s'applique aux réfrigérateurs T35K/T45K/T55K (américains et européens). marchés).

## Connectez l'alimentation électrique

1. Trouvez le cordon d'alimentation CC dans le kit. Connectez la fiche CC à la prise de courant de l'appareil.

réfrigérateur de voiture.

2. Bien placer les réfrigérateurs dans la voiture (recul, sièges...).

3. Disposez les cordons d'alimentation en fonction de l'espace intérieur de votre voiture. Ensuite, insérez l'allume-cigare

Branchez la fiche de l'allume-cigare (un côté du cordon d'alimentation) dans le trou de l'allume-cigare de la voiture.

4. Appuyez sur « ON/OFF » pendant 3 secondes et le réfrigérateur de voiture peut être allumé.



Adaptateur

Brancher l'allume-cigare de la voiture

Brancher le réfrigérateur de la voiture

Le produit peut être connecté à plusieurs sources d'alimentation.

Le réfrigérateur embarqué est directement connecté à l'alimentation CC 12 V/24 V CC fournir.

Le réfrigérateur de voiture équipé d'un adaptateur secteur AC100-240V peut être utilisé à maison avec une tension de AC100-240V.

## Instructions

Référence de tension de protection de batterie de voiture :

Le module de contrôle électronique ECO intégré peut surveiller automatiquement le véhicule tension de la batterie. Avant que la consommation d'énergie n'affecte l'allumage standard de la véhicule, le réfrigérateur embarqué déconnectera automatiquement l'alimentation électrique s'assurer que la puissance de la batterie du véhicule ne sera pas trop faible pour affecter la norme allumage du véhicule.

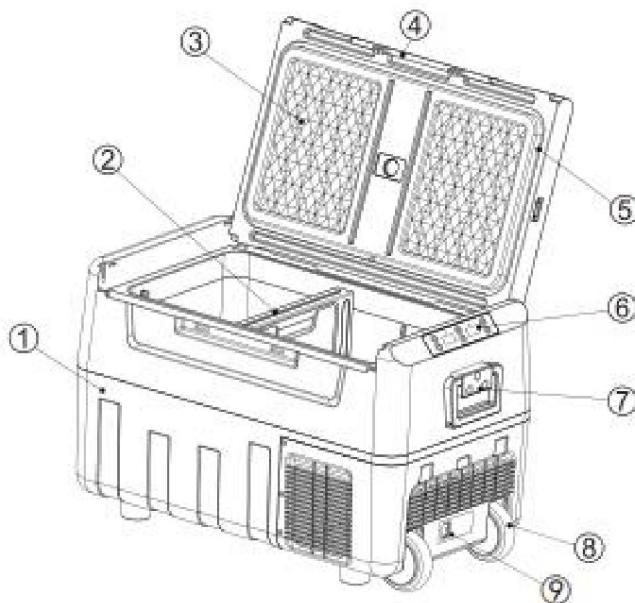
Tension de la batterie	Valeur de protection de tension par défaut d'usine H		
	Niveau H (élevé)	Niveau M (moyen)	Niveau L (bas)
12 V CC	DC11,3V OFF	DC10,1V OFF	DC9,6V OFF
	DC12,5V allumé	DC11,4V allumé	DC10,9 V allumé

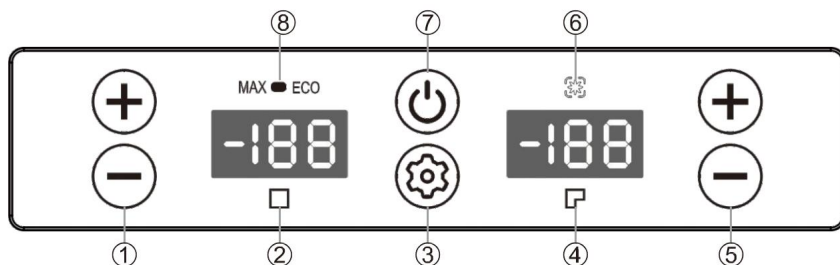
24 V CC	DC24,6V OFF	DC22,3V OFF	DC21,3V OFF
	DC26.0V ON	DC23,7V allumé	DC22,7 V allumé

Remarque : lorsque l'alimentation électrique est connectée et que le réfrigérateur est allumé, la déconnexion ou le démarrage fait référence à la déconnexion ou au démarrage du compresseur.

### Diagramme des composants

1. Armoire
2. Plaque classée
3. Couvercle du boîtier
4. Boucle de porte
5. Bande d'étanchéité
6. Panneau de contrôle
7. Poignée (en option)
8. Roue (en option)
9. Interface d'alimentation





Réglage pour grand compartiment    grand compartiment    Bouton de réglage  
Petit compartiment    Réglage pour petit compartiment    Refroidissement  
indicateur    Bouton ON/OFF    Max/Eco

### Présentation des fonctions

Après la mise sous tension, l'écran d'affichage numérique sera entièrement allumé pendant 1 seconde et affiché normalement. La valeur par défaut est la dernière fonction de mémoire. L'écran d'affichage le chiffre de température sera allumé en permanence au milieu en mode veille.

#### 1. Ouvrir et fermer

Une fois l'alimentation allumée, le réfrigérateur sera en mode veille.

Maintenant, appuyez sur le bouton ON/OFF pour ouvrir le réfrigérateur. Une fois le réfrigérateur ouvert, l'écran affichera la température actuelle de la pièce de stockage. Il

Commence à courir.

Attention : la température affichée est uniquement la température autour du capteur.

La température des différents points de la salle de stockage est différente.

Il est donc normal que la température affichée diffère de la température mesurée.

température.


Appuyez sur le bouton ON/OFF lorsque le réfrigérateur fonctionne et le réfrigérateur retour en veille.

#### 2. Réglage de la température

1) Allumez le réfrigérateur, appuyez sur  $\oplus$  pour augmenter la température réglée et  $\ominus$  pour réduire la température du compartiment de stockage. Chaque pression changera de 1 et la température maximale peut être réglé à 10 et le minimum peut être réglé à - 20 . Veuillez noter que le bardage doit être placé dans la bonne position avant la température réglée du grand compartiment.

- 2) Si le bardage est retiré du compartiment, l'affichage de la température du petit  
Le compartiment sera désactivé. Dans cet état, il n'y a qu'un seul compartiment de rangement.
- 3) L'affichage de la température clignote pendant 3 secondes, puis fixe le réglage après le réglage  
la température et plus aucune action sur les boutons. La température de réglage sera mémorisée,  
et l'écran reviendra pour afficher la température réelle du compartiment de stockage.
- 4) La valeur par défaut pour un démarrage initial est 0 /32 .

### 3. Conversion du mode MAX / ECO

Appuyez directement  touche pour passer en mode MAX ou en mode ECO.


Mode de fonctionnement MAX : le réfrigérateur travaillera dur pour réduire rapidement la température.

Modèle de fonctionnement ECO : le réfrigérateur fonctionnera plus longtemps pour réduire la température afin d'économiser de l'énergie.

### 4. Commutation de l'affichage Celsius (° C)/Fahrenheit (° F)

Appuyez et maintenez enfoncées la touche « + » et la touche de réglage à gauche (grande case) pendant plus de 3 secondes pour  
changer.

### 5. Niveaux de protection de la batterie : H1 (élevé) N2 (faible) L3 (moyen)

Presse  pendant 3 secondes pour accéder au réglage de protection de la batterie. Appuyez à nouveau sur la touche pour  
commuter les niveaux H1 N2 L3 à tour de rôle.

Si aucune opération n'a été détectée, le niveau défini clignote pendant 3 secondes, puis quitte et enregistre le  
réglage actuel.

Tableau des paramètres du modèle :

Modèle Non.	Couche ville	Tension	CA Pouvoir	DC Pouvoir	Caractère nature Ajuster capable	Prise taper
T35K 35L		CA100 ~ 24 0V (50/60 Hz) 12 V/24 V CC	Refrigidissement : 60W	Refrigidissement g 60W	50~~ 4	cerf prise DC prise

T35K 35L		CA100 ~ 240V (50/60 Hz)D C 12V/24V	Refridissement : 60W	Refridissement g 60W	10~- 20 °C	UE prise DC prise
T45K 45L		CA 100~240V (50/60 Hz)D C 12V/24V	Refridissement : 60W	Refridissement g: 60W	50~- 4	cerf prise DC prise
T45K 45L		CA 100~240V (50/60 Hz)D C 12V/24V	Refridissement : 60W	Refridissement g: 60W	10~- 20 °C	UE prise DC prise
T55K 55L		CA 100~240V (50/60 Hz)D C 12V/24V	Refridissement : 60W	Refridissement g: 60W	50~- 4	cerf prise DC prise
T55K 55L		CA 100~240V (50/60 Hz)D C 12V/24V	Refridissement : 60W	Refridissement g: 60W	10~- 20 °C	UE prise DC prise

Remarque concernant le réglage de

la température Insérez le panneau dans la position correcte du compartiment de stockage, puis allumez le réfrigérateur. L'écran affichera la température des deux compartiments de stockage. Lors du réglage de la température, la température réglée du petit compartiment (TS) ne peut pas être supérieure à la température réglée du grand compartiment (TL).

$TS \leq TL$

Par exemple, si la température réglée du petit compartiment (TS) est de -10 (14 ), la plage de température réglée du grand compartiment (TL) est de -10 (14 ) à 10 (50 ).

Conseils : utilisez un grand compartiment pour les aliments frais et un petit compartiment pour les aliments surgelés.



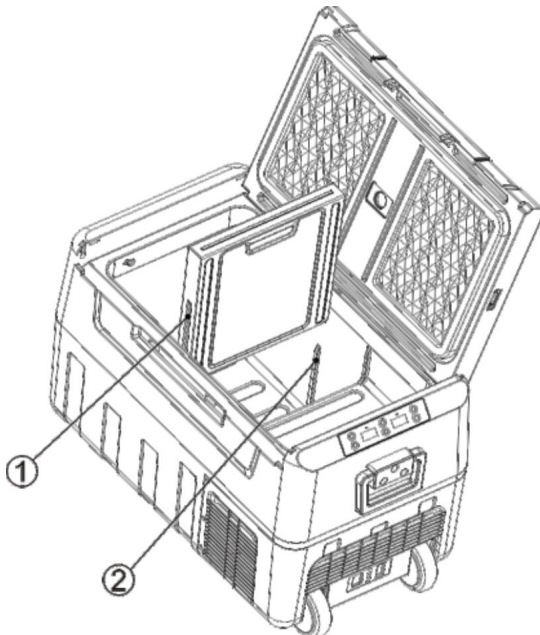
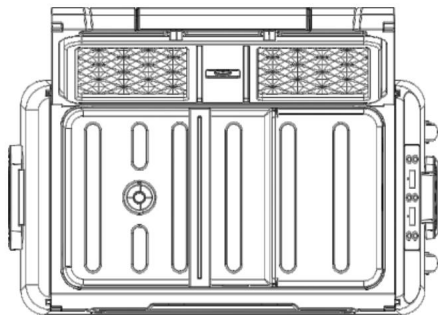
### Fonction de mémoire hors tension

Il existe une fonction de mémoire de mise hors tension pour les réfrigérateurs de voiture. En cas de coupure de courant, l'état de fonctionnement (état marche/arrêt, mode de fonctionnement, etc.) avant la mise hors tension peut être récupéré automatiquement au prochain démarrage ; pas besoin de le redéfinir.

ECO : Refroidissement à économie d'énergieMAX : Refroidissement puissant

### Utiliser des bardeaux

1. Alinez avec deux rails sur la doublure intérieure.
2. Poussez verticalement le clin vers le bas de la doublure.



## Analyse de défaut simple

Conseil : Si les situations anormales ne peuvent pas être résolues par une simple analyse des pannes, veuillez contacter le service client professionnel pour obtenir de l'aide.

### I. Le réfrigérateur de la voiture ne fonctionne pas

1. Vérifiez si l'alimentation est correctement connectée. (vérifiez si la prise est desserrée ou (les pôles positifs et négatifs sont inversés).
2. Vérifiez si l'interrupteur d'alimentation du panneau de commande est allumé.
3. Vérifiez si la ventilation de refroidissement est normale.
4. Vérifiez si le fusible est grillé.

### II. Faibles performances de refroidissement

1. Vérifiez si le couvercle est correctement fermé.
2. Vérifiez si le joint de la porte est endommagé ou déformé.
3. Vérifiez s'il y a une mauvaise ventilation autour des réfrigérateurs.
4. Vérifiez si la température est correctement réglée.

### Définition des codes d'erreur sur l'écran

Code d'erreur	Type d'erreur
E1	Faible tension d'entrée
E2	Défaut de ventilateur
E3	Échec du démarrage du compresseur
E4	Faible vitesse de rotation du compresseur
E5	Température du module de contrôleur trop élevée
E6	Circuit ouvert ou court-circuit du NTC

### III. Bruits anormaux

1. Le réfrigérateur de voiture doit être placé en douceur.
2. Touchez un mur ou un autre objet.
3. Il y a des pièces desserrées ou qui tombent à l'intérieur.

### IV. Condensation sur la surface du réfrigérateur

Lorsque l'humidité de l'air ambiant dépasse 75 %, une légère condensation se produit sur la surface de la boîte, ce qui est normal.

## Échecs et solutions

E1 : Faible tension d'entrée

Panne 1 : Insérez le cordon d'alimentation du réfrigérateur dans l'allume-cigare avant la voiture démarre. Solution 1 : Attendez un moment avant de connecter la voiture après son démarrage.

Défaillance 2 : La tension d'entrée de l'adaptateur est trop faible.

Solution 2 : Réglez le niveau de protection de la batterie sur une tension moyenne ou basse. Si c'est le cas ne fonctionne pas, veuillez remplacer un nouvel adaptateur.

E2 : Défaut du ventilateur

Veuillez remplacer un nouveau ventilateur lorsque vous identifiez un dysfonctionnement du ventilateur.

E3 : Défaut de tension d'entrée dû au démarrage fréquent du compresseur

Lorsque le réfrigérateur est utilisé dans la voiture et que E3 apparaît, veuillez l'éteindre pendant 5 minutes et redémarrez-le.

Si cela ne fonctionne pas, cela peut être identifié comme étant un défaut E1 ; veuillez le résoudre conformément à la solution de E1.

Lorsque le réfrigérateur se connecte à l'adaptateur et que E3 apparaît

Veuillez régler le niveau de protection de la batterie au niveau moyen ou bas. Si cela ne fonctionne pas, veuillez remplacer un nouvel adaptateur.

E4 : Faible vitesse de rotation du compresseur

Veuillez ajuster la tension d'entrée et la remettre sous tension.

E5 : Surchauffe de la puce du contrôleur

Veuillez éteindre l'appareil pendant 5 minutes et vérifier si la mauvaise ventilation autour de l'appareil

le compresseur provoque la surchauffe.

## Suggestions d'utilisation

1. Si vous êtes équipé d'une batterie de secours, vous pouvez maintenir la température que vous avez définie en toutes circonstances sans soucis.
2. Lorsque vous placez de la glace, veuillez régler la température au plus bas ; elle doit être allumé pendant une longue période.
3. Prévenir les problèmes de santé liés à la consommation d'eau en bouteille causés par une teneur élevée en températures.
4. Les aliments surgelés, les fruits de mer rares et les réfrigérateurs montés sur véhicule permettent de conserver les aliments frais congelés la nourriture accompagne le voyage.
5. Les produits de santé, l'insuline et les médicaments importés doivent être réfrigérés et Le contrôle précis de la température des réfrigérateurs à bord accompagnera votre santé le chemin.
6. Les feuilles de thé sont efficacement conservées au frais dans le réfrigérateur de la voiture, et vous pouvez buvez du thé frais et délicieux à tout moment pendant la visite autonome.
7. La meilleure température de stockage du vin rouge est de 10 - 18 (50 - 64,4 ).  
Un contrôle précis de la température du réfrigérateur de voiture peut garantir efficacement la température de conservation du vin rouge.
8. La durée de conservation des fruits de haute qualité dans la voiture à des températures estivales élevées être au moins 2 heures. La durée de stockage est plus courte même si le climatiseur est allumé.  
L'utilisation d'un réfrigérateur de voiture permet de conserver efficacement des fruits de haute qualité.
9. Le revêtement des lunettes de soleil de haute qualité tombera sous l'effet de la température élevée étroit. Le réfrigérateur de voiture est un endroit idéal pour le placer.
10. Les produits cosmétiques de haute qualité se détériorent rapidement sous l'effet des températures élevées dans la voiture.  
Transportez des produits cosmétiques avec la voiture ; le réfrigérateur de voiture sera votre meilleur choix.

## Précautions de sécurité

(1) Assurez-vous que la tension d'alimentation connectée au réfrigérateur embarqué est correcte

à tout moment (Les paramètres sont étiquetés avec les paramètres de tension approuvés de le réfrigérateur de bord).

(2) Ne versez pas de liquide directement dans le réfrigérateur de la voiture.

(3) Il est interdit de modifier le réfrigérateur sans autorisation afin d'éviter tout danger.

(4) Cet appareil n'est pas destiné à être utilisé par des personnes (y compris des enfants) capacités physiques, sensorielles ou mentales réduites ou manque d'expérience et connaissances à moins qu'ils n'aient reçu une supervision ou des instructions concernant utilisation de l'appareil par une personne responsable de sa sécurité.

(5) Les enfants doivent être surveillés pour éviter de jouer avec l'appareil.

(6) Cet appareil peut être utilisé par des enfants âgés de 8 ans et plus et personnes ayant des capacités physiques, sensorielles ou mentales réduites ou dépourvues de expérience et connaissances s'ils ont reçu une supervision ou des instructions concernant l'utilisation de l'appareil en toute sécurité et comprendre les dangers concernés. Les enfants ne doivent pas jouer avec l'appareil. Nettoyage et utilisation l'entretien ne doit pas être effectué par des enfants sans surveillance.

(7) Pour éviter tout danger dû à l'instabilité de l'appareil, celui-ci doit être fixé sous les instructions.

(8) Ne stockez pas de substances explosives telles que des bombes aérosols avec un matériau inflammable. propulseur dans cet appareil.

AVERTISSEMENT : Cet appareil contient un agent moussant inflammable, le cyclopentane :

1) Veuillez éviter tout contact avec le feu lorsque vous le transportez et l'utilisez.

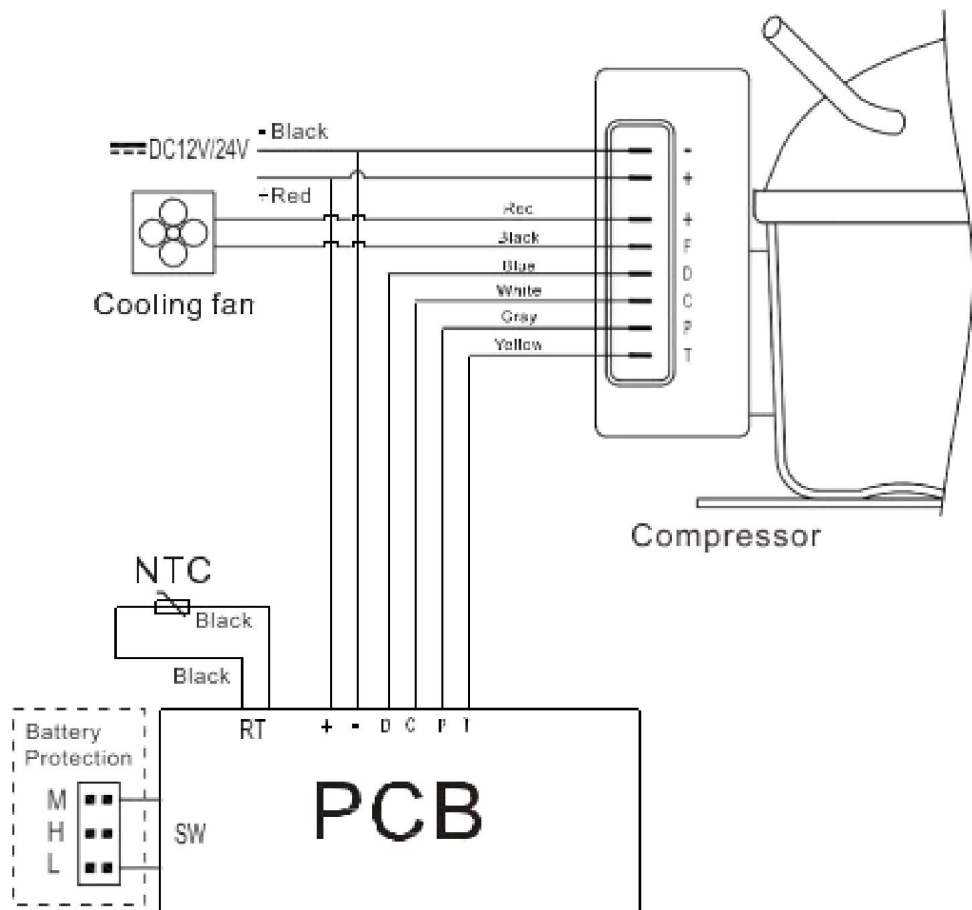
2) Veuillez demander l'intervention d'un professionnel en cas de panne de la machine.

3) Veuillez l'envoyer à votre station d'élimination locale désignée lorsque vous le jetez.



AVERTISSEMENT : Lors de l'utilisation, de l'entretien et de la mise au rebut de l'appareil, veuillez faites attention à un symbole similaire au côté gauche, qui se trouve à l'arrière du appareil (panneau arrière ou compresseur) et de couleur jaune ou orange. Il y a un risque de symbole d'avertissement d'incendie. Il y a des matériaux inflammables dans les tuyaux de réfrigérant et compresseurs. Veuillez vous tenir éloigné de toute source d'incendie pendant l'utilisation, l'entretien et la mise au rebut.

## Schéma électrique





**VEVOR<sup>®</sup>**  
**TOUGH TOOLS, HALF PRICE**

Assistance technique et certificat de garantie  
électronique <https://www.vevor.com/support>



# **VEVOR<sup>®</sup>**

## **TOUGH TOOLS, HALF PRICE**

Technischer Support und E-Garantie-Zertifikat [www.vevor.com/support](http://www.vevor.com/support)

### **AUTOKÜHLSCHRANK**

### **BENUTZERHANDBUCH**

### **MODELL: T35K T45K T55K**

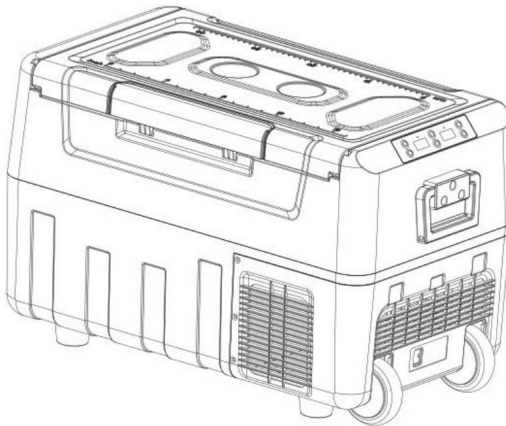
Wir sind weiterhin bestrebt, Ihnen Werkzeuge zu wettbewerbsfähigen Preisen anzubieten.

„Sparen Sie die Hälfte“, „Halber Preis“ oder andere ähnliche Ausdrücke, die wir verwenden, stellen nur eine Schätzung der Ersparnis dar, die Sie beim Kauf bestimmter Werkzeuge bei uns im Vergleich zu den großen Topmarken erzielen können, und bedeuten nicht unbedingt, dass sie alle von uns angebotenen Werkzeugkategorien abdecken. Wir möchten Sie freundlich daran erinnern, bei Ihrer Bestellung bei uns sorgfältig zu prüfen, ob Sie im Vergleich zu den großen Topmarken tatsächlich die Hälfte sparen.

# VEVOR<sup>®</sup>

*Auto Kühlschrank*

T35K T45K T55K



<Bild nur als Referenz>

**Brauchen Sie Hilfe? Kontaktieren Sie uns!**

Sie haben Fragen zu unseren Produkten? Sie benötigen technischen Support? Dann kontaktieren Sie uns gerne:

 [\*\*Kundenservice@vevor.com\*\*](mailto:Kundenservice@vevor.com)

Dies ist die Originalanleitung. Bitte lesen Sie alle Anweisungen im Handbuch. sorgfältig vor der Inbetriebnahme. VEVOR behält sich eine klare Auslegung unserer Benutzerhandbuch. Das Erscheinungsbild des Produkts unterliegt den Produkt, das Sie erhalten haben. Bitte haben Sie Verständnis, dass wir Sie nicht erneut informieren, wenn es gibt Technologie- oder Software-Updates für unser Produkt.



Dieses Produkt unterliegt den Bestimmungen der europäischen Richtlinie 2012/19/EU. Das Symbol einer durchgestrichenen Mülltonne weist darauf hin, dass das Produkt einer getrennten Müllentsorgung im Europäische Union. Dies gilt für das Produkt und alle Zubehörteile gekennzeichnet. Produkte, die mit diesem Symbol gekennzeichnet sind, dürfen nicht nicht mit dem normalen Hausmüll entsorgt werden, sondern müssen eine Sammelstelle für das Recycling von elektrischen und elektronischen Geräten.

### Aufmerksamkeiten

Lesen Sie diese Anleitung vor der Inbetriebnahme sorgfältig durch und bewahren Sie sie richtig.

1. Reinigen Sie den Kühlschrank vor der Inbetriebnahme innen und außen mit einem feuchten Tuch.
2. Füllen Sie den Kühlschrank nicht mit ätzenden Flüssigkeiten. Gießen Sie Flüssigkeiten nicht direkt in der Kühlschrank.
3. Wenn der Kühlschrank längere Zeit nicht benutzt wird, trennen Sie bitte die Stromversorgung Stromversorgung und halten Sie sie trocken.
4. Reinigen Sie den Innenraum regelmäßig, um Gerüche und Bakterien zu vermeiden und sicherzustellen Lebensmittelsicherheit.
5. Dieses Handbuch gilt für T35K/T45K /T55K Kühlschränke (amerikanische und europäische Märkte).

### Anschließen der Stromversorgung

1. Suchen Sie das DC-Netzkabel im Kit. Schließen Sie den DC-Stecker an die Steckdose des

Autokühlschrank.

2. Platzieren Sie die Kühlschränke gut im Auto (Rücksitz, Sitze...).
3. Verlegen Sie die Netzkabel im Innenraum Ihres Autos. Stecken Sie dann den Zigarettenanzünder Stecken Sie den Zigarettenanzünderstecker (eine Seite des Netzkabels) in die Öffnung für den Zigarettenanzünder im Auto.
4. Drücken Sie „ON/OFF“ 3 Sekunden lang, und der Autokühlschrank kann eingeschaltet werden.



Adapter

Schließen Sie den Zigarettenanzünder im Auto an

Den Autokühlschrank anschließen

Das Produkt kann an mehr als eine Stromversorgung angeschlossen werden.

Der Bordkühlschrank ist direkt an die DC12V/24V Gleichstromversorgung angeschlossen liefern.

Der Autokühlschrank mit einem AC100-240V AC-Adapter kann verwendet werden bei Zuhause mit einer Spannung von AC100-240V.

## Anweisungen

### Referenzspannung für den Autobatterieschutz:

Eingebautes ECO-Steuermodul kann das Fahrzeug automatisch überwachen

Batteriespannung. Bevor der Stromverbrauch die Standardzündung des

Fahrzeugs, trennt der Bordkühlschrank automatisch die Stromversorgung zum

Stellen Sie sicher, dass die Leistung der Fahrzeugbatterie nicht zu niedrig ist und den Standard nicht beeinträchtigt.

Zündung des Fahrzeugs.

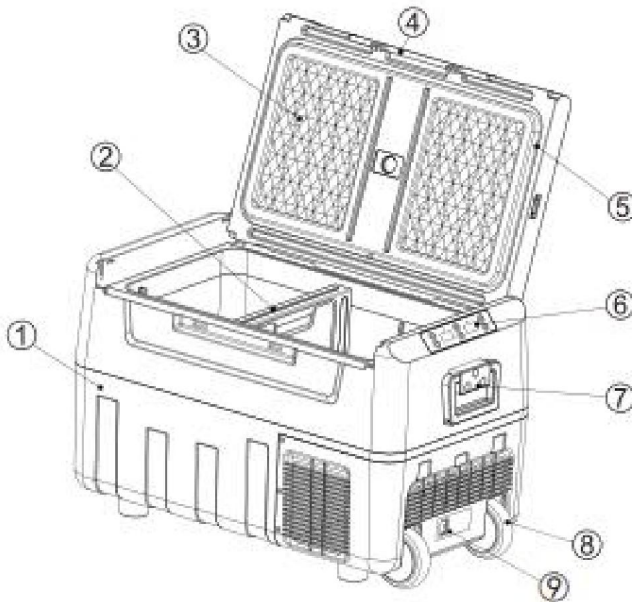
Batteriespannung	Werkseitig voreingestellter Spannungsschutzwert H		
	H-Niveau (hoch)	M-Niveau (mittel)	L-Pegel (niedrig)
Gleichstrom 12 V	DC11,3 V AUS	DC10,1V AUS	DC9,6V AUS
	DC12,5 V EIN	DC11,4 V EIN	DC10,9 V EIN

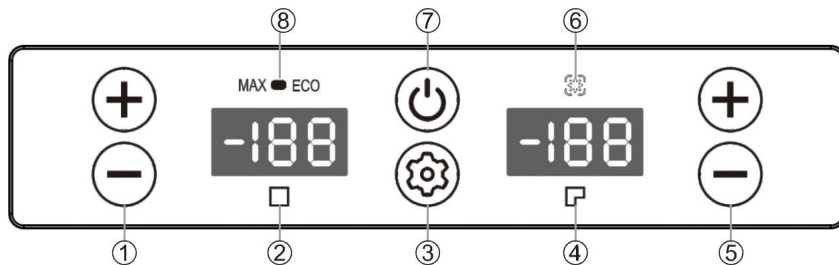
Gleichstrom 24 V	DC24,6V AUS	DC22,3V AUS	DC21,3V AUS
	DC26.0V EIN	DC23,7 V EIN	DC22,7V EIN

**Hinweis:** Wenn die Stromversorgung angeschlossen und der Kühlschrank eingeschaltet ist, bezieht sich das Trennen oder Starten auf das Trennen oder Starten des Kompressors.

## Komponentendiagramm

1. Kabinett
2. Klassifiziertes Kennzeichen
3. Gehäusedeckel
4. Türschnalle
5. Dichtungsstreifen
6. Bedienfeld
7. Griff (optional)
8. Rad (optional)
9. Stromschnittstelle





1. Öffnen und Schließen  
2. Temperaturanzeige  
3. Funktionseinstellung  
4. Temperaturanzeige  
5. Einstellungs- und Ausschalttaste  
6. Ein-/Aus-Taste  
7. Funktionseinstellung  
8. Anzeige für Max/Eco

### 1. Öffnen und Schließen

Nach dem Einschalten leuchtet die digitale Anzeige 1 Sekunde lang vollständig auf und normal angezeigt. Die Standardeinstellung ist die letzte Speicherfunktion. Der Anzeigebildschirm  
Im Standby-Modus leuchtet die Temperaturanzeige dauerhaft in der Mitte.

### 1. Öffnen und Schließen

Nach dem Einschalten befindet sich der Kühlschrank im Standby-Modus.

Drücken Sie nun die EIN/AUS-Taste, um den Kühlschrank zu öffnen. Nachdem der Kühlschrank geöffnet wird, zeigt das Display die aktuelle Temperatur des Lagerraums an. Es wird fang an zu rennen.

Achtung: Die angezeigte Temperatur ist nur die Temperatur um den Sensor herum.

An verschiedenen Stellen im Lagerraum ist die Temperatur unterschiedlich.

Daher ist es normal, wenn die angezeigte Temperatur von der gemessenen abweicht Temperatur.

Drücken Sie die EIN/AUS-Taste, wenn der Kühlschrank läuft, und der Kühlschrank wird

in den Standby-Modus zurückzukehren.

### 2. Temperatureinstellung


1) Schalten Sie den Kühlschrank ein, drücken Sie  $\oplus$  die eingestellte Temperatur zu erhöhen und  $\ominus$  zur Reduzierung der

Temperatur des Ablagefachs. Jeder Tastendruck ändert sich um 1 °, und die maximale

kann auf 10 ° eingestellt werden, und das Minimum kann auf - 20 ° eingestellt werden. Bitte beachten Sie, dass die Klappe vor Erreichen der Solltemperatur des großen Fachs in der richtigen Position sein.

- 2) Wenn die Klappe aus dem Fach entfernt wird, wird die Temperaturanzeige des kleinen Ablagefach ist ausgeschaltet. In diesem Zustand gibt es nur ein Ablagefach.
- 3) Die Temperaturanzeige blinkt 3 Sekunden lang und fixiert dann die Einstellung nach der Anpassung die Temperatur und keine weitere Aktion auf Tasten. Die eingestellte Temperatur wird gespeichert, und die Anzeige wechselt zurück zur Anzeige der tatsächlichen Temperatur im Lagerfach.
- 4) Der Standardwert für die erste Inbetriebnahme beträgt 0 °/32 °.

### 3. MAX / ECO-Modus-Konvertierung

Drücken Sie direkt  Taste, um in den MAX-Modus oder ECO-Modus zu wechseln.

MAX-Betriebsmodus: Der Kühlschrank arbeitet hart, um die Temperatur schnell zu senken.

Öko-Betriebsmodell: Der Kühlschrank läuft länger, um die Temperatur zu senken und Energie zu sparen.

#### 4. Celsius (° C)/Fahrenheit (° F) Anzeigeumschaltung

Halten Sie die Taste „+“ und die Einstelltaste links (großes Kästchen) länger als 3 Sekunden gedrückt, um schalten.

#### 5. Batterieschutzstufen: H1 (hoch) N2 (niedrig) L3 (mittel)

Drücken  3 Sekunden lang gedrückt, um die Batterieschutzeinstellung aufzurufen. Drücken Sie die Taste erneut, um

Schalten Sie die Pegel H1, N2 und L3 abwechselnd um.

Wenn keine Operationen erkannt wurden, blinkt die eingestellte Ebene 3 Sekunden lang, dann wird das Menü verlassen und die aktuelle Einstellung.

### Modellparametertabelle:

Modell	Schicht	Stromspannung	<small>Wechselstrom</small> Leistung	<small>Gleichstrom</small> Leistung	Temperament Natur Anpassen fähig	Stecker Typ
NEIN.	Stadt	AC100~24 0 V (50/60 Hz) DC12V/24V	Kühlung : 60W	Abkühlen G 60W	50-- -4 °C	Reh Stecker <small>Gleichstrom</small> Stecker

T35K 35L		AC100~24 0 V (50/60Hz)D C 12V/24V	Kühlung : 60W	Abkühlen G 60W	10-- 20 ÿ	EU Stecker <small>Gleichstrom</small> Stecker
T45K 45L		<small>Wechselstrom</small> 100 bis 240 V (50/60Hz)D C 12V/24V	Kühlung : 60W	Abkühlen G: 60W	50-- -4 °C	Reh Stecker <small>Gleichstrom</small> Stecker
T45K 45L		<small>Wechselstrom</small> 100 bis 240 V (50/60Hz)D C 12V/24V	Kühlung : 60W	Abkühlen G: 60W	10-- 20 ÿ	EU Stecker <small>Gleichstrom</small> Stecker
T55K 55L		<small>Wechselstrom</small> 100 bis 240 V (50/60Hz)D C 12V/24V	Kühlung : 60W	Abkühlen G: 60W	50-- -4 °C	Reh Stecker <small>Gleichstrom</small> Stecker
T55K 55L		<small>Wechselstrom</small> 100 bis 240 V (50/60Hz)D C 12V/24V	Kühlung : 60W	Abkühlen G: 60W	10-- 20 ÿ	EU Stecker <small>Gleichstrom</small> Stecker

**Hinweis zur Temperatureinstellung:** Setzen

Sie die Klappe in die richtige Position des Lagerfachs ein und schalten Sie dann den Kühlschrank ein. Das Display zeigt die Temperatur von zwei Lagerfächern an. Beim Einstellen der Temperatur kann die Temperatur des kleinen Fachs (TS) nicht höher sein als die Temperatur des großen Fachs (TL).

## TS ÿTL

Wenn beispielsweise die eingestellte Temperatur des kleinen Fachs (TS) -10 °C (14 °F) beträgt, reicht der Temperaturbereich des großen Fachs (TL) von -10 °C (14 °F) bis 10 °C (50 °F). Tipps: Verwenden Sie ein großes Fach für frische Lebensmittel und ein kleines Fach für Tiefkühlkost.

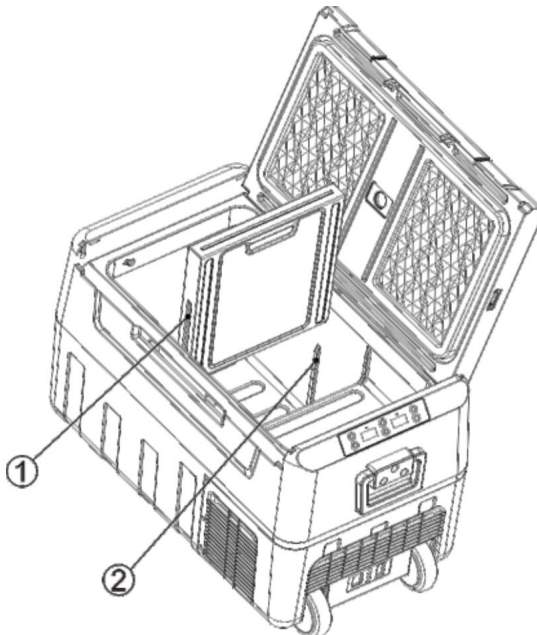
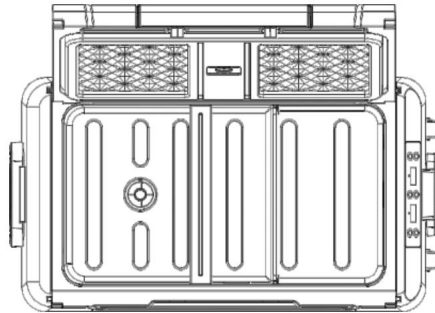


#### Power-Off-Speicherfunktion

Es gibt eine Power-Off-Memory-Funktion für Autokühlschränke. Wenn der Strom ausfällt, Der Betriebszustand (Ein/Aus-Status, Arbeitsmodus usw.) vor dem Ausschalten kann wird beim nächsten Start automatisch wiederhergestellt; es ist keine erneute Einstellung erforderlich.  
ECO: Energiesparende KühlungMAX: Leistungsstarke Kühlung

#### Verwenden Sie Clapboard

1. Mit zwei Schienen am Innenfutter ausrichten.
2. Schieben Sie die Schindel vertikal an die Unterseite des Liners.



## Einfache Fehleranalyse

**Hinweis:** Wenn sich ungewöhnliche Situationen nicht durch eine einfache Fehleranalyse beheben lassen, wenden Sie sich bitte an einen professionellen Kundendienst.

### I. Autokühlschrank funktioniert nicht

1. Überprüfen Sie, ob die Stromversorgung richtig angeschlossen ist. (Überprüfen Sie, ob der Stecker locker ist oder Plus- und Minuspol sind vertauscht).
2. Prüfen Sie, ob der Netzschalter auf dem Bedienfeld eingeschaltet ist.
3. Überprüfen Sie, ob die Kühlungsbelüftung normal ist.
4. Überprüfen Sie, ob die Sicherung durchgebrannt ist.

### II. Schlechte Kühlleistung

1. Prüfen Sie, ob der Deckel richtig geschlossen ist.
2. Prüfen Sie, ob die Türdichtung beschädigt oder deformiert ist.
3. Überprüfen Sie, ob die Belüftung rund um die Kühlschränke unzureichend ist.
4. Prüfen Sie, ob die Temperatur richtig eingestellt ist.

### Definition der Fehlercodes auf dem Display

Fehlercode	Fehlertyp
E1	Niedrige Eingangsspannung
E2	Lüfterfehler
E3	Kompressorstart fehlgeschlagen
E4	Niedrige Drehzahl des Kompressors
E5	Temperatur des Reglermoduls zu hoch
E6	Unterbrechung oder Kurzschluss des NTC

### III. Ungewöhnliche Geräusche

1. Der Autokühlschrank muss ebenerdig platziert werden.
2. Berühren Sie eine Wand oder ein anderes Objekt.
3. Im Inneren sind Teile lose oder fallen ab.

### IV. Kondensation auf der Kühlschrankoberfläche

Wenn die Luftfeuchtigkeit 75 % übersteigt, kommt es zu leichter Kondensation an die Kastenoberfläche, was normal ist.

## Fehler und Lösungen

### ÿE1: Niedrige Eingangsspannung

Fehler 1: Stecken Sie das Netzkabel des Kühlschranks in den Zigarettenanzünder, bevor Sie das Auto startet. Lösung 1: Warten Sie nach dem Start eine Weile, bevor Sie das Auto anschließen.

Fehler 2: Die Eingangsspannung des Adapters ist zu niedrig.

Lösung 2: Stellen Sie den Batterieschutz auf Mittelspannung oder Niederspannung ein. Wenn es funktioniert nicht, ersetzen Sie den Adapter bitte durch einen neuen.

### ÿE2: Lüfterfehler

Bitte ersetzen Sie den Lüfter durch einen neuen, wenn Sie eine Fehlfunktion feststellen.

### ÿE3: Eingangsspannungsfehler aufgrund häufigen Startens des Kompressors

Wenn der Kühlschrank im Auto verwendet wird und E3 erscheint, schalten Sie ihn bitte für 5 Minuten und starten Sie es neu.

Wenn es nicht funktioniert, kann dies als EI-Fehler identifiziert werden. Bitte lösen Sie es gemäß die Lösung von EI.

Wenn der Kühlschrank mit dem Adapter verbunden ist und E3 erscheint

ÿ Bitte stellen Sie den Batterieschutz auf die mittlere oder niedrige Stufe ein. ÿ Wenn das nicht funktioniert, ersetzen Sie den Adapter bitte durch einen neuen.

### ÿE4: Niedrige Drehzahl des Kompressors

Bitte passen Sie die Eingangsspannung an und schalten Sie es erneut ein.

### ÿE5: Überhitzung des Controller-Chips

Schalten Sie das Gerät für 5 Minuten aus und prüfen Sie, ob die schlechte Belüftung um das

Der Kompressor verursacht die Überhitzung.

## Vorschläge verwenden

1. Wenn Sie über eine Backup-Batterie verfügen, können Sie jede eingestellte Temperatur aufrechterhalten unter allen Umständen ohne Sorgen.
2. Wenn Sie Eiscreme einlegen, stellen Sie die Temperatur bitte auf die niedrigste Stufe ein; sie muss lange eingeschaltet.
3. Verhindern Sie die gesundheitlichen Probleme durch das Trinken von Flaschenwasser, die durch hohe Temperaturen.
4. Tiefkühlkost, seltene Meeresfrüchte und Fahrzeugkühlschränke lassen gefrorene frische Speisen begleiten die Reise.
5. Gesundheitsprodukte, Insulin und importierte Medikamente müssen gekühlt werden und Die präzise Temperaturregelung der Kühlschränke an Bord wird die Gesundheit fördern der Weg.
6. Die Teeblätter bleiben im Autokühlschrank effektiv frisch und Sie können Trinken Sie während der Autotour jederzeit frischen und köstlichen Tee.
7. Die beste Lagertemperatur für Rotwein beträgt 10 °C - 18 °C (50 - 64,4 °F). Die Eine präzise Temperaturregelung des Autokühlschranks kann effektiv sicherstellen, dass die Lagertemperatur von Rotwein.
8. Die Lagerzeit von hochwertigem Obst im Auto bei hohen Sommertemperaturen beträgt mindestens 2 Stunden betragen. Die Lagerzeit verkürzt sich, auch wenn die Klimaanlage eingeschaltet ist Durch die Verwendung eines Autokühlschranks kann hochwertiges Obst effektiv konserviert werden.
9. Die Beschichtung hochwertiger Sonnenbrillen löst sich bei hohen Temperaturen ab. Sommer. Der Autokühlschrank ist ein idealer Ort, um ihn aufzustellen.
10. Hochwertige Kosmetik verdirbt bei hohen Temperaturen im Auto schnell. Wenn Sie Kosmetika im Auto transportieren möchten, ist ein Autokühlschrank die bessere Wahl.

## Sicherheitsvorkehrungen

- (1) Stellen Sie sicher, dass die an den Bordkühlschrank angeschlossene Netzspannung korrekt ist

(Die Parameter sind mit den freigegebenen Spannungsparametern der der Bordkühlschrank).

(2) Gießen Sie keine Flüssigkeit direkt in den Autokühlschrank.

(3) Um Gefahren zu vermeiden, ist es verboten, am Kühlschrank eigenmächtig Änderungen vorzunehmen.

(4) Dieses Gerät ist nicht für den Gebrauch durch Personen (einschließlich Kinder) bestimmt, die eingeschränkte körperliche, sensorische oder geistige Fähigkeiten oder mangelnde Erfahrung und Kenntnissen, es sei denn, sie werden beaufsichtigt oder in die Handhabung eingewiesen.

Verwendung des Geräts durch eine für die Sicherheit verantwortliche Person.

(5) Kinder sollten beaufsichtigt werden, um zu vermeiden, dass sie mit dem Gerät spielen.

(6) Dieses Gerät kann von Kindern ab 8 Jahren benutzt werden und Personen mit eingeschränkten körperlichen, sensorischen oder geistigen Fähigkeiten oder Mangel an Erfahrung und Wissen, wenn sie beaufsichtigt oder unterwiesen wurden über den sicheren Gebrauch des Geräts informiert und verstehen die Gefahren Kinder dürfen nicht mit dem Gerät spielen. Reinigung und Benutzer Wartungsarbeiten dürfen nicht von Kindern ohne Aufsicht durchgeführt werden.

(7) Um eine Gefährdung durch Instabilität des Gerätes zu vermeiden, muss es unter die Anweisungen.

(8) Lagern Sie keine explosiven Stoffe wie Aerosoldosen mit einem brennbaren Treibmittel in diesem Gerät.

**WARNUNG:** Dieses Gerät enthält das brennbare Schaummittel Cyclopentan:

- 1) Bitte vermeiden Sie Kontaktfeuer beim Transport und Gebrauch.
- 2) Bitte wenden Sie sich bei einer Störung der Maschine an einen Fachmann zur Wartung.
- 3) Bitte schicken Sie es bei der Entsorgung an Ihre örtliche Entsorgungsstation.

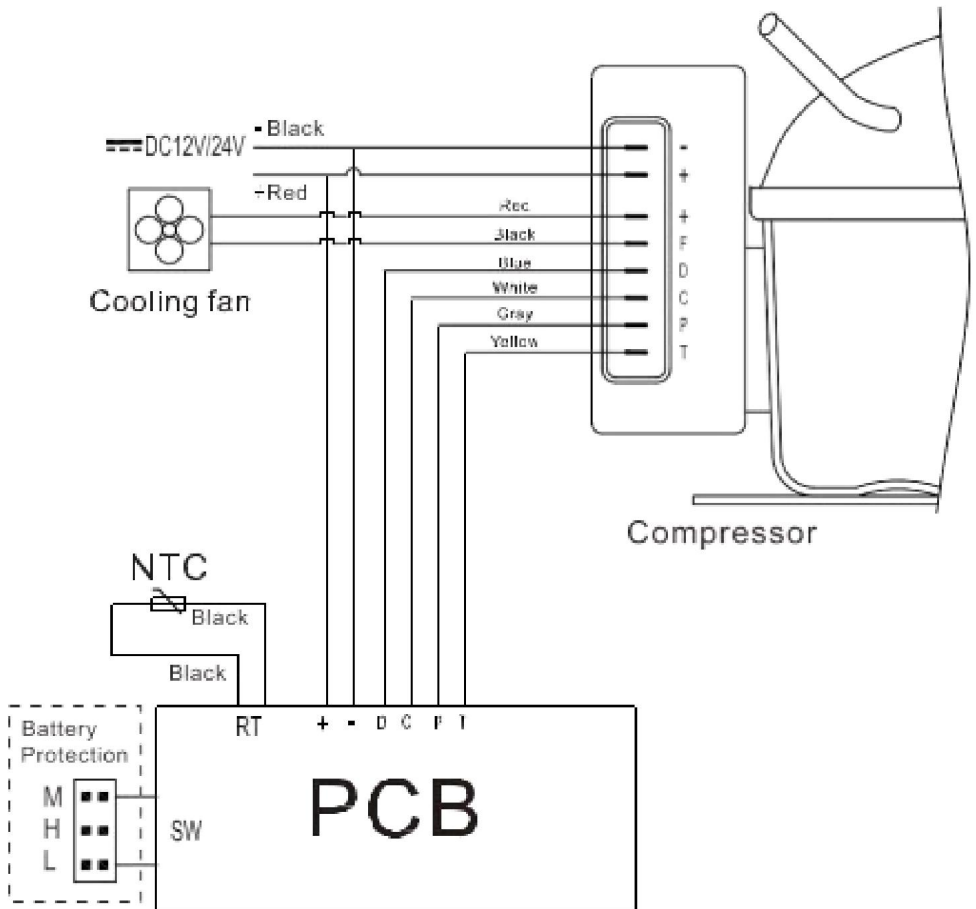


**WARNUNG:** Bitte beachten Sie bei der Verwendung, Wartung und Entsorgung des Gerätes

achten Sie auf ein Symbol ähnlich der linken Seite, das sich auf der Rückseite des Gerät (Rückseite oder Kompressor) und mit gelber oder oranger Farbe. Es besteht die Gefahr von Feuerwarnsymbol. In den Kältemittelleitungen und -rohren befinden sich brennbare Materialien.

Kompressoren. Bitte halten Sie sich während der Verwendung, Wartung und Entsorgung von Feuerquellen fern.

# Elektrisches Schaltbild





**VEVOR<sup>®</sup>**

**TOUGH TOOLS, HALF PRICE**

**Technischer Support und E-Garantie-Zertifikat**

**<https://www.vevor.com/support>**



# **VEVOR<sup>®</sup>**

## **TOUGH TOOLS, HALF PRICE**

Supporto tecnico e certificato di garanzia elettronica [www.vevor.com/support](http://www.vevor.com/support)

## **FRIGORIFERO PER AUTO**

### **MANUALE D'USO**

**MODELLO: T35K T45K T55K**

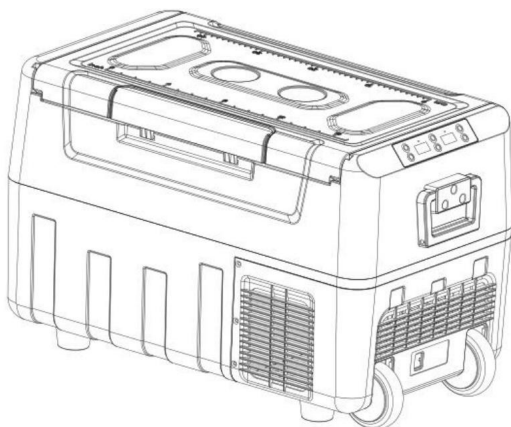
Continuiamo a impegnarci per fornirvi strumenti a prezzi competitivi.

"Risparmia la metà", "Metà prezzo" o qualsiasi altra espressione simile da noi utilizzata rappresenta solo una stima del risparmio che potresti ottenere acquistando determinati utensili con noi rispetto ai principali marchi principali e non necessariamente intende coprire tutte le categorie di utensili da noi offerti. Ti ricordiamo cortesemente di verificare attentamente quando effettui un ordine con noi se stai effettivamente risparmiando la metà rispetto ai principali marchi principali.

# VEVOR<sup>®</sup>

*Frigorifero per auto*

T35K T45K T55K



<Immagine solo per riferimento>

**HAI BISOGNO DI AIUTO? CONTATTACI!**

Hai domande sui prodotti? Hai bisogno di supporto tecnico? Non esitare a contattarci:

 **Servizio Clienti@vevor.com**

Questa è l'istruzione originale, si prega di leggere tutte le istruzioni del manuale attentamente prima di operare. VEVOR si riserva una chiara interpretazione del nostro manuale utente. L'aspetto del prodotto sarà soggetto alla prodotto che hai ricevuto. Perdonaci se non ti informeremo di nuovo se ci sono aggiornamenti tecnologici o software sul nostro prodotto.



Questo prodotto è soggetto alle disposizioni della Direttiva Europea 2012/19/UE. Il simbolo raffigurante un bidone della spazzatura barrato indica che il prodotto richiede una raccolta differenziata dei rifiuti Unione Europea. Ciò si applica al prodotto e a tutti gli accessori contrassegnati con questo simbolo. I prodotti contrassegnati come tali non possono essere smaltiti con i normali rifiuti domestici, ma deve essere portato un punto di raccolta per il riciclaggio di apparecchiature elettriche ed elettroniche.

## Attenzioni

Prima di utilizzare il frigorifero, leggere attentamente il presente manuale e conservarlo correttamente.

1. Prima di utilizzare il frigorifero, pulirlo internamente ed esternamente con un panno umido.
2. Non riempire il frigorifero con liquidi corrosivi. Non versare direttamente i liquidi nel frigorifero.
3. Quando il frigorifero non viene utilizzato per un lungo periodo, scollegare l'alimentazione fornire e mantenerlo asciutto.
4. Pulire regolarmente la camera interna per prevenire odori e batteri e garantire sicurezza alimentare.
5. Il presente manuale si applica ai frigoriferi T35K/T45K/T55K (americani ed europei mercati).

## Collegare l'alimentazione

1. Trova il cavo di alimentazione CC nel kit. Collega la spina CC alla presa di corrente del

frigorifero per auto.

2. Posizionare bene i frigoriferi in auto (di riserva, sui sedili...).
3. Disporre i cavi di alimentazione in base allo spazio interno dell'auto. Quindi, inserire l'accendisigari la spina dell'accendisigari (un lato del cavo di alimentazione) nel foro dell'accendisigari dell'auto.
4. Premere "ON/OFF" per 3 secondi per accendere il frigorifero dell'auto.



Adattatore

Collegare l'accendisigari dell'auto

Collegare il frigorifero dell'auto

Il prodotto può essere collegato a più di un alimentatore.

Il frigorifero di bordo è collegato direttamente all'alimentazione DC12V/24V DC fornita.

Il frigorifero per auto dotato di un adattatore CA da 100 a 240 V può essere utilizzato a casa con una tensione di CA 100-240 V.

## Istruzioni

### Riferimento tensione di protezione batteria auto:

Il modulo di controllo elettronico ECO integrato può monitorare automaticamente il veicolo tensione della batteria. Prima che il consumo di energia influisca sull'accensione standard del veicolo, il frigorifero di bordo disconetterà automaticamente l'alimentazione elettrica al assicurarsi che la carica della batteria del veicolo non sia troppo bassa da compromettere lo standard accensione del veicolo.

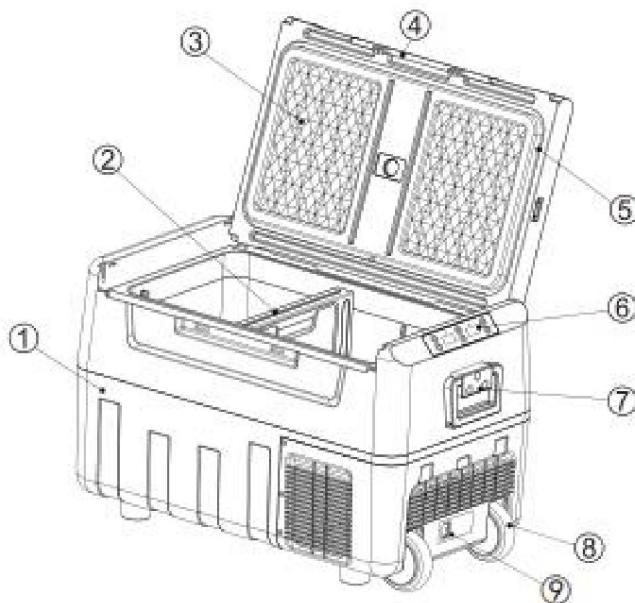
Tensione della batteria	Valore di protezione della tensione predefinito in fabbrica H		
	Livello H (alto)	Livello M (medio)	Livello L (basso)
DC12V	DC11.3V SPENTO	DC10.1V SPENTO	DC9.6V SPENTO
	DC12.5V ACCESO	DC11.4V ACCESO	CC 10,9 V ACCESO

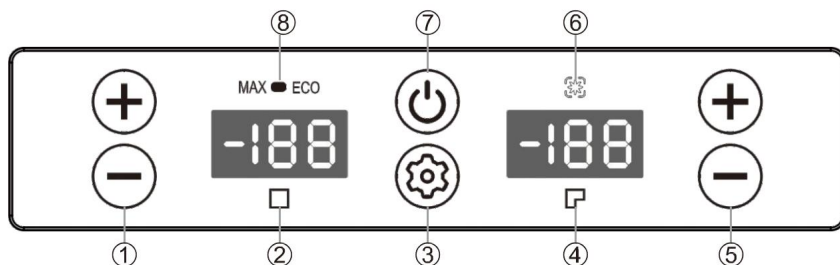
<b>DC24V</b>	DC24.6V SPENTO	DC22.3V SPENTO	DC21.3V SPENTO
	DC26.0V ACCESO	DC23.7V ACCESO	CC 22,7 V ACCESO

**Nota:** quando l'alimentazione è collegata e il frigorifero è acceso, lo scollegamento o l'avvio si riferisce allo scollegamento o all'avvio del compressore.

## Diagramma dei componenti

1. Mobiletto
2. Targa classificata
3. Copertura della custodia
4. Fibbia della porta
5. Striscia di tenuta
6. Pannello di controllo
7. Maniglia (opzionale)
8. Ruota (opzionale)
9. Interfaccia di alimentazione





ÿImpostazione per scomparto grande ÿScomparto grande ÿPulsante di impostazione  
ÿScomparto piccolo ÿImpostazione per scomparto piccolo ÿRaffreddamento  
indicatore ÿPulsante ON/OFF ÿ Max/Eco

### ÿIntroduzione alla funzione

Dopo l'accensione, lo schermo del display digitale sarà completamente illuminato per 1 secondo e visualizzato normalmente. L'impostazione predefinita è l'ultima funzione di memoria. Lo schermo di visualizzazione la cifra della temperatura rimarrà accesa in modo permanente al centro in modalità standby.

#### 1. Aprire e chiudere

Dopo l'accensione, il frigorifero sarà in modalità standby.

Ora, premere il pulsante ON/OFF per aprire il frigorifero. Dopo che il frigorifero è aperto, il display mostrerà la temperatura attuale del locale di stoccaggio. Sarà inizia a correre.



Attenzione: la temperatura visualizzata è solo la temperatura attorno al sensore.

La temperatura nei diversi punti del magazzino è diversa.

Pertanto, è normale che la temperatura visualizzata differisca da quella misurata temperatura.


Premere il pulsante ON/OFF quando il frigorifero è in funzione e il frigorifero si accenderà. tornare in standby.

#### 2. Impostazione della temperatura

1) Accendere il frigorifero, premere  per aumentare la temperatura impostata e  per ridurre il temperatura del vano di stoccaggio. Ogni pressione cambierà di 1 ÿ e la temperatura massima può essere impostato a 10 ÿ, e il minimo può essere impostato a - 20 ÿ. Si prega di notare che il clashboard deve essere posizionato nella posizione corretta prima del raggiungimento della temperatura impostata nel vano grande.

- 2) Se il pannello viene rimosso dal vano, il display della temperatura del piccolo vano sarà spento. In questa condizione, c'è solo un vano portaoggetti.
- 3) Il display della temperatura lampeggerà per 3 secondi e poi fisserà l'impostazione dopo la regolazione la temperatura e non più azioni sui pulsanti. La temperatura impostata verrà memorizzata, e il display tornerà a mostrare la temperatura effettiva del vano di conservazione.
- 4) Il valore predefinito per l'avvio iniziale è 0 °/32 °.

### 3. Conversione modalità MAX/ECO

Premere direttamente  tasto per passare alla modalità MAX o alla modalità ECO.


Modalità di funzionamento MAX: il frigorifero lavorerà intensamente per ridurre rapidamente la temperatura.

Modello ECO: il frigorifero funzionerà più a lungo per ridurre la temperatura e risparmiare energia.

### 4. Commutazione del display Celsius (° C)/Fahrenheit (° F)

Premere e tenere premuto il tasto "+" e il tasto di impostazione a sinistra (riquadro grande) per oltre 3 secondi per interruttore.

### 5. Livelli di protezione della batteria: H1 (alto) N2 (basso) L3 (medio)

Premere  tasto per 3 secondi per accedere alle impostazioni di protezione della batteria. Premere nuovamente il tasto per cambiare i livelli H1 N2 L3 a turno.

Se non viene rilevata alcuna operazione, il livello impostato lampeggerà per 3 secondi, quindi uscirà e salverà il valore. impostazione corrente.

### Tabella dei parametri del modello:

Modello NO.	Strato città	Voltaggio	AC Energia	<small>consumo corrente</small> Energia	Temperare natura Regolare capace	Tappo tipo
T35K 35L		CA100~24 0V (50/60Hz) DC12V/24V	Raffreddamento : 60W	Raffreddamento G 60 W	50-- <small>± 0.1°C</small>	cervo tappo <small>consumo corrente</small> tappo

T35K 35L		CA100~24 0V (50/60Hz)D C12V/24V	Raffreddamento : 60 W	Raffreddamento G 60 W	10~-- 20 ÿ	<small>Unione Europea</small> tappo <small>contiene coriandoli</small> tappo
T45K 45L		AC 100~240V (50/60Hz)D C12V/24V	Raffreddamento : 60 W	Raffreddamento G: 60 W	50~-- <small>*grid Fahrenheit</small>	cervo tappo <small>contiene coriandoli</small> tappo
T45K 45L		AC 100~240V (50/60Hz)D C12V/24V	Raffreddamento : 60 W	Raffreddamento G: 60 W	10~-- 20 ÿ	<small>Unione Europea</small> tappo <small>contiene coriandoli</small> tappo
T55K55L		AC 100~240V (50/60Hz)D C12V/24V	Raffreddamento : 60 W	Raffreddamento G: 60 W	50~-- <small>*grid Fahrenheit</small>	cervo tappo <small>contiene coriandoli</small> tappo
T55K55L		AC 100~240V (50/60Hz)D C12V/24V	Raffreddamento : 60 W	Raffreddamento G: 60 W	10~-- 20 ÿ	<small>Unione Europea</small> tappo <small>contiene coriandoli</small> tappo

### Avviso per l'impostazione della temperatura

Inserire il pannello nella posizione corretta del vano di stoccaggio, quindi accendere il frigorifero. Il display mostrerà la temperatura di due vani di stoccaggio. Quando si regola la temperatura, l'impostazione della temperatura del vano piccolo (TS) non può essere superiore all'impostazione della temperatura del vano grande (TL).

### TS ÿTL

Ad esempio, se la temperatura impostata del vano piccolo (TS) è -10ÿ (14 ÿ), l'intervallo di temperatura impostata del vano grande (TL) è compreso tra -10ÿ (14ÿ) e 10ÿ (50ÿ). Suggerimenti: utilizzare un vano grande per gli alimenti freschi e un vano piccolo per gli alimenti congelati.



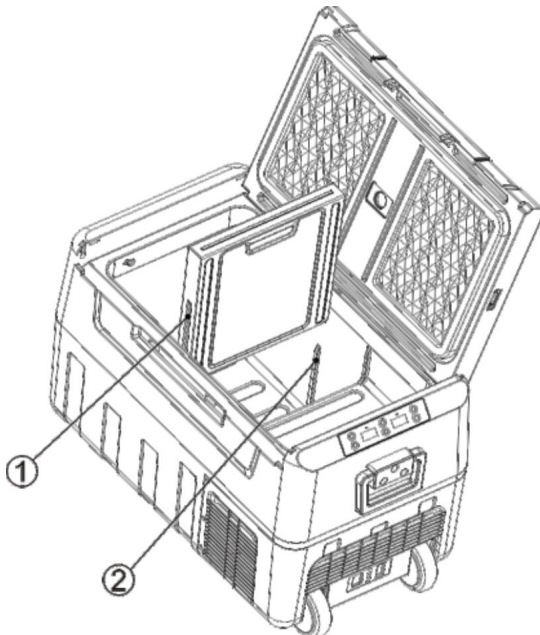
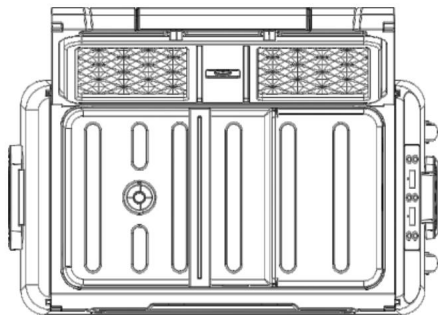
### Funzione di memoria di spegnimento

C'è una funzione di memoria di spegnimento per i frigoriferi delle auto. Quando si perde la corrente, lo stato di funzionamento (stato On/Off, modalità di funzionamento, ecc.) prima che sia possibile spegnerlo viene ripristinato automaticamente al successivo avvio; non è necessario impostarlo nuovamente.

ECO: Raffreddamento a risparmio energeticoMAX: Raffreddamento potente

### Usa il ciak

1. Allineare con due guide sul rivestimento interno.
2. Spingere verticalmente il pannello sul fondo del rivestimento.



## Analisi semplice dei guasti

**Consiglio:** se una semplice analisi dei guasti non consente di risolvere situazioni anomale, contattare il servizio clienti professionale per ricevere assistenza.

### I. Il frigorifero dell'auto non funziona

1. Controllare se l'alimentazione è collegata correttamente. (controllare se la spina è allentata o (i poli positivo e negativo sono invertiti).
2. Controllare che l'interruttore di alimentazione sul pannello operativo sia acceso.
3. Controllare che la ventilazione di raffreddamento sia normale.
4. Controllare se il fusibile è bruciato.

### II. Scarsa prestazione di raffreddamento

1. Controllare che il coperchio sia chiuso correttamente.
2. Controllare se la guarnizione della porta è danneggiata o deformata.
3. Controllare che non ci sia scarsa ventilazione attorno ai frigoriferi.
4. Controllare che la temperatura sia impostata correttamente.

### Definizione dei codici di errore sul display

Codice di errore	Tipo di errore
E1	Bassa tensione di ingresso
E2	Guasto della ventola
E3	Avvio del compressore non riuscito
E4	Bassa velocità di rotazione del compressore
E5	Temperatura del modulo controller troppo alta
E6	Circuito aperto o cortocircuito dell'NTC

### III. Rumore anomalo

1. Il frigorifero dell'auto deve essere posizionato in modo uniforme.
2. Toccare un muro o un altro oggetto.
3. Ci sono parti allentate o che cadono all'interno.

### IV. Condensa sulla superficie del frigorifero

Quando l'umidità dell'aria ambiente supera il 75%, si verificherà una leggera condensa la superficie della scatola, che è normale.

## Fallimenti e soluzioni

### **ÿE1: Bassa tensione di ingresso**

Errore 1: Inserire il cavo di alimentazione del frigorifero nell'accendisigari prima dell'auto si avvia. Soluzione 1: attendere un po' per collegare l'auto dopo l'avvio.

Errore 2: la tensione di ingresso dell'adattatore è troppo bassa.

Soluzione 2: Regolare il livello di protezione della batteria su media tensione o bassa tensione. Se non funziona, sostituisci l'adattatore con uno nuovo.

### **ÿE2: Guasto ventola**

Quando si riscontra un malfunzionamento della ventola, sostituirla con una nuova.

### **ÿE3: Guasto della tensione di ingresso dovuto all'avvio frequente del compressore**

Quando il frigorifero viene utilizzato in auto e viene visualizzato E3, spegnerlo per 5 minuti e riavviarlo.

Se non funziona, è possibile identificare un guasto E1; si prega di risolverlo secondo la soluzione di E1.

Quando il frigorifero si collega all'adattatore e compare E3

ÿ Regolare il livello di protezione della batteria su un livello medio o basso. ÿ Se non funziona, sostituire l'adattatore con uno nuovo.

### **ÿE4: Bassa velocità di rotazione del compressore**

Si prega di regolare la tensione di ingresso e di riaccenderlo.

### **ÿE5: Surriscaldamento del chip del controller**

Si prega di spegnere per 5 minuti e controllare se la ventilazione intorno al

il compressore provoca il surriscaldamento.

## Suggerimenti per l'uso

1. Se dotato di una batteria di backup, è possibile mantenere qualsiasi temperatura impostata in ogni circostanza senza preoccupazioni.
2. Quando si posiziona il gelato, regolare la temperatura al minimo; deve essere acceso per lungo tempo.
3. Prevenire i problemi di salute causati dall'acqua in bottiglia temperature.
4. Il cibo congelato, i frutti di mare rari e i frigoriferi montati sui veicoli lasciano che i prodotti freschi congelati il cibo accompagna il viaggio.
5. I prodotti sanitari, l'insulina e i farmaci importati devono essere refrigerati e il controllo preciso della temperatura dei frigoriferi di bordo accompagnerà la salute lungo il modo.
6. Le foglie di tè vengono mantenute fresche in modo efficace nel frigorifero dell'auto e puoi sorseggiare un tè fresco e delizioso in qualsiasi momento durante il tour in auto.
7. La temperatura di conservazione migliore per il vino rosso è 10 °C - 18 °C (50 - 64,4 °F). il controllo preciso della temperatura del frigorifero dell'auto può garantire efficacemente la temperatura di conservazione del vino rosso.
8. Il tempo di conservazione della frutta di alta qualità in macchina alle alte temperature estive sarà essere di almeno 2 ore. Il tempo di conservazione è più breve anche se il condizionatore è acceso on. L'utilizzo di un frigorifero per auto può conservare efficacemente la frutta di alta qualità.
9. Il rivestimento degli occhiali da sole di alta qualità cadrà sotto l'alta temperatura in estate. Il frigorifero dell'auto è il posto ideale dove posizionarlo.
10. I prodotti cosmetici di alta qualità si deteriorano rapidamente se esposti alle alte temperature all'interno dell'auto. Porta i cosmetici in auto: il frigorifero da auto è la scelta migliore.

## Precauzioni di sicurezza

(1) Assicurarsi che la tensione di alimentazione collegata al frigorifero di bordo sia corretta

in qualsiasi momento (I parametri sono etichettati con i parametri di tensione approvati di il frigorifero di bordo).

(2) Non versare liquidi direttamente nel frigorifero dell'auto.

(3) È vietato modificare il frigorifero senza autorizzazione per evitare pericoli.

(4) Questo apparecchio non è destinato all'uso da parte di persone (bambini compresi) con ridotte capacità fisiche, sensoriali o mentali o mancanza di esperienza e conoscenza a meno che non abbiano ricevuto supervisione o istruzioni in merito utilizzo dell'apparecchio da parte di una persona responsabile della propria sicurezza.

(5) I bambini devono essere sorvegliati per evitare che giochino con l'apparecchio.

(6) Questo apparecchio può essere utilizzato da bambini di età pari o superiore a 8 anni e persone con ridotte capacità fisiche, sensoriali o mentali o prive di esperienza e conoscenza se hanno ricevuto supervisione o istruzione sull'uso sicuro dell'apparecchio e comprendere i pericoli coinvolti. I bambini non devono giocare con l'apparecchio. Pulizia e uso la manutenzione non deve essere effettuata da bambini senza supervisione.

(7) Per evitare pericoli dovuti all'instabilità dell'apparecchio, questo deve essere fissato sotto le istruzioni.

(8) Non conservare sostanze esplosive come bombolette spray con un gas infiammabile propellente in questo apparecchio.

**ATTENZIONE:** Questo apparecchio contiene l'agente schiumogeno infiammabile ciclopentano:

1) Evitare il contatto con il fuoco durante il trasporto e l'uso.

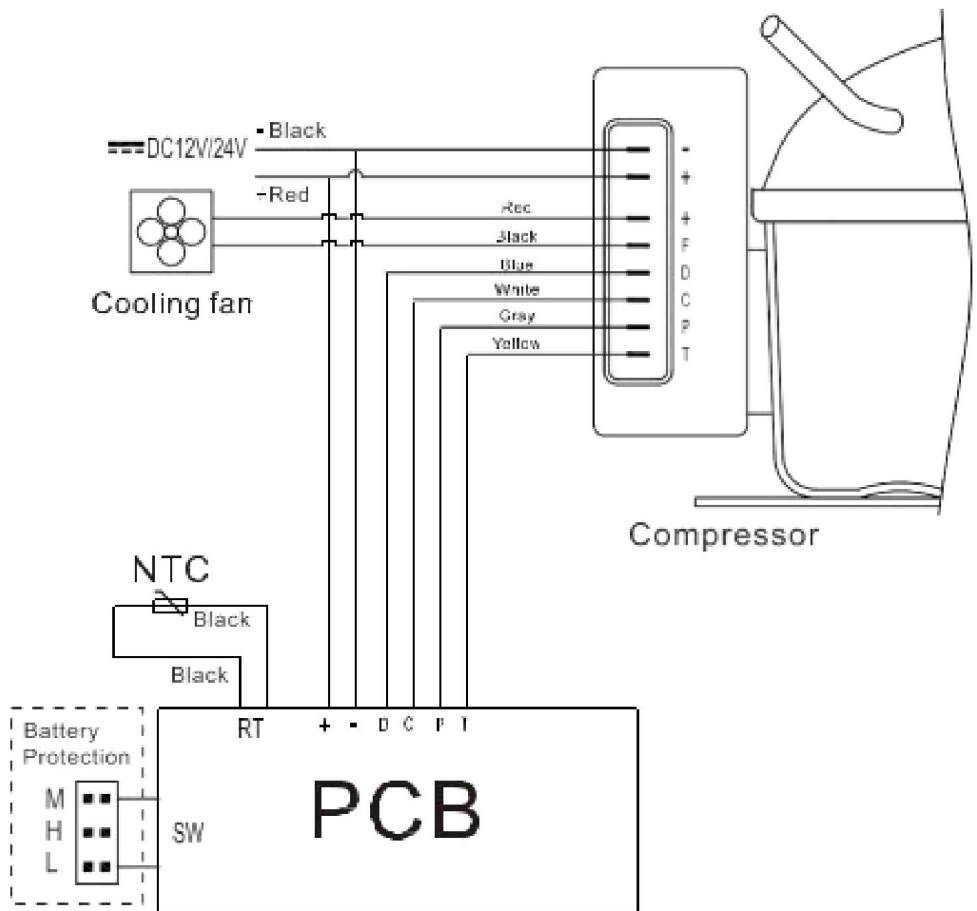
2) In caso di guasto della macchina, rivolgersi a un professionista per l'assistenza.

3) Al momento dello smaltimento, si prega di inviarlo al centro di smaltimento autorizzato locale.



**ATTENZIONE:** Durante l'uso, la manutenzione e lo smaltimento dell'apparecchio, prestare attenzione ad un simbolo simile a quello sul lato sinistro, che si trova sul retro del apparecchio (pannello posteriore o compressore) e con colore giallo o arancione. È un rischio di simbolo di pericolo incendio. Ci sono materiali infiammabili nei tubi del refrigerante e compressori. Si prega di tenersi lontani da fonti di incendio durante l'uso, la manutenzione e lo smaltimento.

## Schema elettrico





**VEVOR<sup>®</sup>**

**TOUGH TOOLS, HALF PRICE**

**Supporto tecnico e certificato di garanzia  
elettronica <https://www.vevor.com/support>**



# **VEVOR<sup>®</sup>**

## **TOUGH TOOLS, HALF PRICE**

Soporte técnico y certificado de garantía electrónica [www.vevor.com/support](http://www.vevor.com/support)

REFRIGERADOR DE COCHE

MANUAL DEL USUARIO

MODELO: T35K T45K T55K

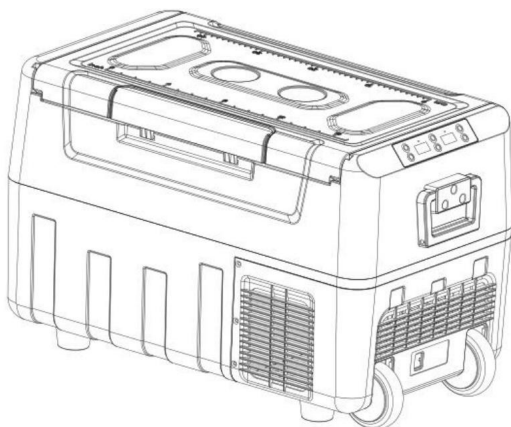
Seguimos comprometidos a brindarle herramientas a precios competitivos.

"Ahorre la mitad", "mitad de precio" o cualquier otra expresión similar que utilicemos solo representa una estimación del ahorro que podría obtener al comprar ciertas herramientas con nosotros en comparación con las principales marcas y no necesariamente significa que cubra todas las categorías de herramientas que ofrecemos. Le recordamos que, al realizar un pedido con nosotros, verifique cuidadosamente si realmente está ahorrando la mitad en comparación con las principales marcas.

# VEVOR®

Refrigerador para automóvil

T35K T45K T55K



<Imagen solo como referencia>

¿NECESITA AYUDA? ¡CONTÁCTENOS!

¿Tiene preguntas sobre el producto? ¿Necesita asistencia técnica? No dude en ponerse en contacto con nosotros:



Servicio de atención al cliente@vevor.com

Estas son las instrucciones originales, lea todas las instrucciones del manual. Antes de operar, tenga cuidado. VEVOR se reserva una interpretación clara de nuestras manual de usuario. La apariencia del producto estará sujeta a las producto que recibiste. Por favor, perdónanos por no informarte nuevamente si ¿Hay alguna actualización tecnológica o de software en nuestro producto?



Este producto está sujeto a las disposiciones de la Directiva europea 2012/19/UE. El símbolo que muestra un contenedor de basura tachado indica que el producto requiere recogida selectiva de residuos en la Unión Europea. Esto se aplica al producto y a todos los accesorios. marcados con este símbolo. Los productos marcados como tal no pueden desecharse con la basura doméstica normal, sino que deben llevarse a Punto de recogida para el reciclaje de aparatos eléctricos y electrónicos.

## Atenciones

Antes de utilizar el frigorífico, lea atentamente este manual y consérvelo.

adecuadamente.

1. Antes de utilizar el refrigerador, límpielo por dentro y por fuera con un paño húmedo.
2. No llene el refrigerador con líquidos corrosivos. No vierta líquidos directamente en el refrigerador.

El refrigerador.

3. Cuando el refrigerador no se utilice durante un largo tiempo, desconecte la alimentación.

Suministrarlo y mantenerlo seco.

4. Limpie periódicamente la cámara interior para evitar olores y bacterias y garantizar

Seguridad alimentaria.

5. Este manual se aplica a los refrigeradores T35K/T45K/T55K (modelos americanos y europeos).

mercados).

## Conectar la fuente de alimentación

1. Busque el cable de alimentación de CC en el kit. Conecte el enchufe de CC a la toma de corriente del

refrigerador del coche.

2. Coloca bien los refrigeradores en el coche (de respaldo, asientos...).

3. Distribuye los cables de alimentación según el espacio interior de tu coche. Luego, inserta el encendedor de cigarrillos. enchufe del encendedor (un lado del cable de alimentación) en el orificio del encendedor del automóvil.

4. Presione "ON/OFF" durante 3 segundos y se podrá encender el refrigerador del automóvil.



Adaptador

Conectar el encendedor del coche

Conectar el refrigerador del coche

El producto se puede conectar a más de una fuente de alimentación.

El refrigerador a bordo está conectado directamente a la fuente de alimentación CC de 12 V/24 V CC. suministrar.

El refrigerador para automóvil equipado con un adaptador de CA de 100-240 V CA se puede utilizar en casa con un voltaje de AC100-240V.

## Instrucciones

Referencia de voltaje de protección de la batería del automóvil:

El módulo de control electrónico ECO incorporado puede monitorear automáticamente el vehículo.

Voltaje de la batería. Antes de que el consumo de energía afecte el encendido estándar de la vehículo, el refrigerador a bordo desconectará automáticamente el suministro de energía a

Asegúrese de que la carga de la batería del vehículo no sea demasiado baja como para afectar el estándar. encendido del vehículo.

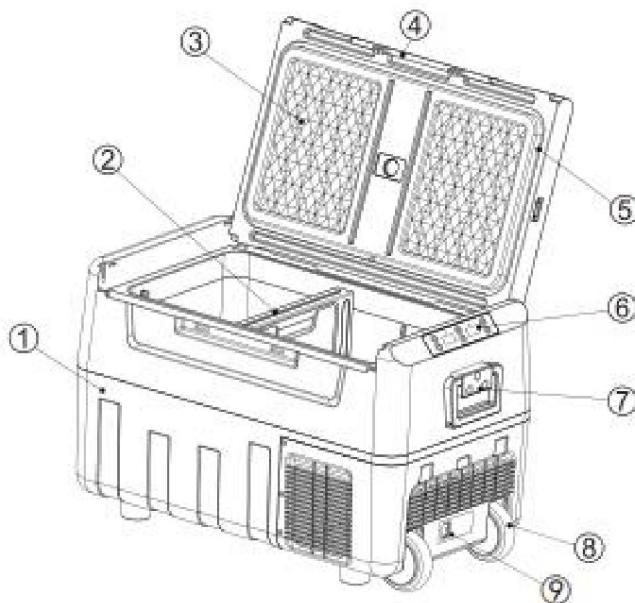
Voltaje de la batería	Valor de protección de voltaje predeterminado de fábrica H		
	Nivel H (alto) Nivel M (medio)		Nivel L (bajo)
12 V CC	DC11.3V APAGADO	DC10.1V APAGADO	DC9.6V APAGADO
	12,5 V CC ENCENDIDO	11,4 V CC ENCENDIDO	CC 10,9 V encendido.

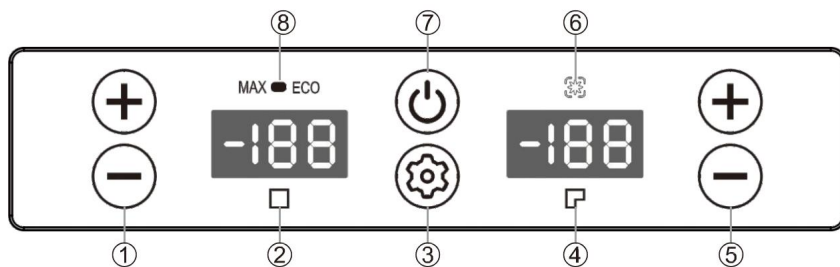
24 V CC	DC24,6 V APAGADO	DC22.3V APAGADO	DC21.3V APAGADO
	DC26.0V ENCENDIDO	23,7 V CC ENCENDIDO	CC 22,7 V encendido.

Nota: Cuando la fuente de alimentación está conectada y el refrigerador está encendido, desconectar o iniciar se refiere a desconectar o iniciar el compresor.

## Diagrama de componentes

1. Gabinete
2. Placa clasificada
3. Funda protectora
4. Hebilla de la puerta
5. Tira de sellado
6. Panel de control
7. Mango (opcional)
8. Rueda (opcional)
9. Interfaz de alimentación





Configuración para compartimento grande    Compartimento grande    Botón de configuración  
Compartimento pequeño    Configuración para compartimento pequeño    Enfriamiento  
Indicador    Botón ON/OFF    Máx./Eco

### Introducción a la función

Después del encendido, la pantalla digital se iluminará completamente durante 1 segundo y se muestra normalmente. El valor predeterminado es la última función de memoria. La pantalla de visualización La cifra de temperatura permanecerá encendida permanentemente en el medio en el modo de espera.

#### 1. Abrir y cerrar

Después de encender la energía, el refrigerador quedará en modo de espera.

Ahora, presione el botón ON/OFF para abrir el refrigerador. Una vez que el refrigerador esté abierto, la pantalla mostrará la temperatura actual de la sala de almacenamiento. empezar a correr.

Advertencia: La temperatura mostrada es solo la temperatura alrededor del sensor.

La temperatura de los distintos puntos de la sala de almacenamiento es diferente.



Por lo tanto, es normal que la temperatura mostrada difiera de la medida.

temperatura.

Presione el botón ON/OFF cuando el refrigerador esté funcionando y el refrigerador...

volver al modo de espera.

#### 2. Ajuste de temperatura

1) Encienda el frigorífico, presione  para aumentar la temperatura establecida y  Para reducir la

La temperatura del compartimento de almacenamiento. Cada vez que presione el botón, cambiará en 1 y la temperatura máxima

Se puede configurar a 10 y el mínimo se puede configurar a -20 . Tenga en cuenta que la tablilla debe

estar ubicado en la posición correcta antes de la temperatura establecida del compartimento grande.

2) Si se retira la tablilla del compartimento, la pantalla de temperatura del pequeño

El compartimento de almacenamiento estará cerrado. En esta condición, solo hay un compartimento de almacenamiento.

3) La pantalla de temperatura parpadeará durante 3 segundos y luego fijará la configuración después del ajuste.

la temperatura y no se necesita más acción sobre los botones. La temperatura configurada se memorizará,

y la pantalla volverá a mostrar la temperatura real del compartimento de almacenamiento.

4) El valor predeterminado para un arranque inicial es 0 /32 .

### 3. Conversión de modo MAX/ECO



Presionar directamente Tecla para cambiar al modo MAX o al modo ECO.

Modo de funcionamiento MÁXIMO: el refrigerador trabajará intensamente para reducir la temperatura rápidamente.

Modelo de funcionamiento ECO: el frigorífico funcionará durante más tiempo para reducir la temperatura y ahorrar energía.

### 4. Cambio de visualización en grados Celsius (° C)/Fahrenheit (° F)

Mantenga presionada la tecla "+" y la tecla de configuración de la izquierda (cuadro grande) durante más de 3 segundos para cambiar.

### 5. Niveles de protección de la batería: H1 (Alto) N2 (Bajo) L3 (Medio)



Presiona durante 3 segundos para ingresar a la configuración de protección de la batería. Presione la tecla nuevamente para cambia los niveles H1 N2 L3 por turnos.

Si no se detectan operaciones, el nivel establecido parpadeará durante 3 segundos, luego saldrá y guardará el ajuste. configuración actual.

### Tabla de parámetros del modelo:

Modelo No.	Capa ciudad	Voltaje	C.A. Fuerza	Fuerza	Temperamento madurez Ajustar capaz	Enchufar tipo
T35K 35L		AC100~24 0 V (50/60 Hz) 12 V CC/24 V	Enfriamiento : 60W	Enfriando  60W	50~  4	ciervo  enchufar  enchufar

T35K 35L		AC100~240 V (50/60 Hz)D C 12 V/24 V	Enfriamiento : 60W	Enfriando <small>grando</small> 60W	10~ 20	UE enchufar <small>enchufe continuo</small> enchufar
T45K 45 litros		C.A. 100 ~ 240 V (50/60 Hz)D C 12 V/24 V	Enfriamiento : 60W	Enfriando <small>grando</small> 60W	50~ 4	ciervo enchufar <small>enchufe continuo</small> enchufar
T45K 45 litros		C.A. 100 ~ 240 V (50/60 Hz)D C 12 V/24 V	Enfriamiento : 60W	Enfriando <small>grando</small> 60W	10~ 20	UE enchufar <small>enchufe continuo</small> enchufar
T55K 55L		C.A. 100 ~ 240 V (50/60 Hz)D C 12 V/24 V	Enfriamiento : 60W	Enfriando <small>grando</small> 60W	50~ 4	ciervo enchufar <small>enchufe continuo</small> enchufar
T55K 55L		C.A. 100 ~ 240 V (50/60 Hz)D C 12 V/24 V	Enfriamiento : 60W	Enfriando <small>grando</small> 60W	10~ 20	UE enchufar <small>enchufe continuo</small> enchufar

Aviso sobre el ajuste de la temperatura Inserte la

placa de características en la posición correcta del compartimento de almacenamiento y luego encienda el refrigerador. La pantalla mostrará la temperatura de los dos compartimentos de almacenamiento. Al ajustar la temperatura, la temperatura del compartimento pequeño (TS) no puede ser mayor que la temperatura del compartimento grande (TL).

$TS \leq TL$

Por ejemplo, si la temperatura establecida del compartimento pequeño (TS) es de -10 (14 ), el rango de temperatura establecida del compartimento grande (TL) es de -10 (14 ) a 10 (50 ). Consejos: utilice un compartimento grande para alimentos frescos y un compartimento pequeño para alimentos congelados.



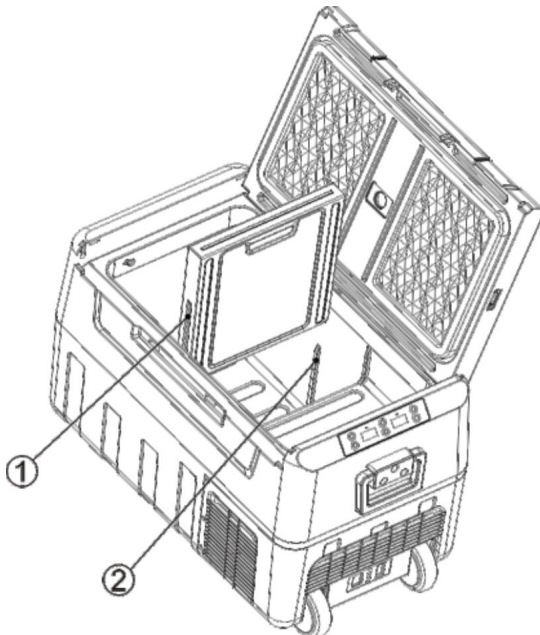
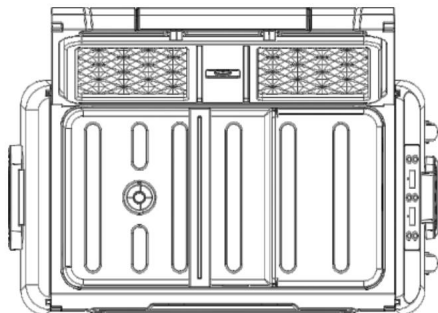
### Función de memoria de apagado

Los refrigeradores para autos tienen una función de memoria de apagado. Cuando se corta la energía, el estado de trabajo (estado de encendido/apagado, modo de trabajo, etc.) antes del apagado puede ser se recupera automáticamente en el próximo inicio; no es necesario configurarlo nuevamente.

ECO: Refrigeración que ahorra energíaMAX: Refrigeración potente

### Utilice tabillas

1. Alinee con los dos rieles del revestimiento interior.
2. Empuje verticalmente la tabilla hasta la parte inferior del revestimiento.



## Análisis de fallas simples

Consejo: Si las situaciones anormales no se pueden resolver mediante un simple análisis de fallas, comuníquese con el servicio de atención al cliente profesional para obtener ayuda.

### I. El refrigerador del automóvil no funciona

1. Compruebe si la alimentación está conectada correctamente. (Verifique si el enchufe está suelto o (los polos positivo y negativo están invertidos).
2. Verifique si el interruptor de encendido en el panel de operación está encendido.
3. Compruebe si la ventilación de enfriamiento es normal.
4. Compruebe si el fusible está fundido.

### II. Bajo rendimiento de refrigeración

1. Compruebe que la tapa esté cerrada correctamente.
2. Verifique si el sello de la puerta está dañado o deformado.
3. Compruebe si hay poca ventilación alrededor de los frigoríficos.
4. Compruebe si la temperatura está configurada correctamente.

#### Definición de códigos de error en la pantalla

Código de error	Tipo de error
E1	Voltaje de entrada bajo
E2	Falla del ventilador
E3	Fallo en el arranque del compresor
E4	Baja velocidad de rotación del compresor
E5	La temperatura del módulo controlador es demasiado alta
E6	Circuito abierto o cortocircuito de NTC

### III. Ruido anormal

1. El refrigerador del automóvil debe colocarse de manera suave.
2. Toca una pared u otro objeto.
3. Hay piezas sueltas o que se caen en el interior.

### IV. Condensación en la superficie del refrigerador

Cuando la humedad del aire ambiente supere el 75%, se producirá una ligera condensación en la superficie de la caja, lo cual es normal.

## Fallas y soluciones

E1: Voltaje de entrada bajo

Error 1: Inserte el cable de alimentación del refrigerador en el encendedor de cigarrillos antes del automóvil.

Solución 1: Espere un momento para conectar el automóvil después de que arranque.

Fallo 2: El voltaje de entrada del adaptador es demasiado bajo.

Solución 2: Ajuste el nivel de protección de la batería a voltaje medio o bajo. Si

No funciona, reemplace un nuevo adaptador.

E2: Falla del ventilador

Reemplace un ventilador nuevo cuando identifique que hay un mal funcionamiento del ventilador.

E3: Falla de voltaje de entrada debido al arranque frecuente del compresor

Cuando se utiliza el refrigerador en el automóvil y aparece E3, apáguelo durante 5 minutos. minutos y reiniciarlo.

Si no funciona, se puede identificar como una falla de E1; resuélvalo de acuerdo con la solución de E1.

Cuando el refrigerador se conecta con el adaptador y aparece E3

Ajuste el nivel de protección de la batería al nivel medio o bajo. Si no funciona, reemplace un nuevo adaptador.

E4: Baja velocidad de rotación del compresor

Ajuste el voltaje de entrada y vuelva a encenderlo.

E5: Sobrecalentamiento del chip controlador

Apague durante 5 minutos y verifique si hay mala ventilación alrededor del

El compresor provoca el sobrecalentamiento.

## Sugerencias de uso

1. Si está equipado con una batería de respaldo, puede mantener cualquier temperatura que configure bajo cualquier circunstancia sin preocupaciones.
2. Al colocar el helado, ajuste la temperatura al mínimo; debe ser encendido durante mucho tiempo
3. Prevenir los problemas de salud causados por el consumo de agua embotellada.  
temperaturas.
4. Los alimentos congelados, los mariscos raros y los refrigeradores montados en vehículos permiten que los alimentos frescos congelados  
La comida acompaña el viaje.
5. Los productos sanitarios, la insulina y los medicamentos importados deben refrigerarse y  
El control preciso de la temperatura de los refrigeradores a bordo acompañará la salud.  
el camino.
6. Las hojas de té se mantienen frescas de manera efectiva en el refrigerador del automóvil y puede  
Beba té fresco y delicioso en cualquier momento durante el recorrido en automóvil.
7. La mejor temperatura de almacenamiento del vino tinto es de 10 a 18 (50 - 64,4 ).  
El control preciso de la temperatura del refrigerador del automóvil puede garantizar de manera efectiva la  
Temperatura de conservación del vino tinto.
8. El tiempo de almacenamiento de fruta de alta calidad en el automóvil a altas temperaturas de verano será  
Deben ser al menos 2 horas. El tiempo de almacenamiento es menor incluso si el aire acondicionado está apagado.  
El uso de un refrigerador para automóvil permite conservar de manera eficaz frutas de alta calidad.
9. El revestimiento de las gafas de sol de alta calidad se caerá debido a las altas temperaturas.  
Verano. El frigorífico del coche es un lugar ideal para colocarlo.
10. Los cosméticos de alta calidad se deterioran rápidamente bajo las altas temperaturas en el automóvil.  
Lleva cosméticos en el coche; el frigorífico para coche será tu mejor opción.

## Precauciones de seguridad

(1) Asegúrese de que el voltaje de alimentación conectado al refrigerador a bordo sea correcto.

en cualquier momento (Los parámetros están etiquetados con los parámetros de voltaje aprobados de el refrigerador de a bordo).

(2) No vierta líquido directamente en el refrigerador del automóvil.

(3) Está prohibido modificar el refrigerador sin permiso para evitar peligros.

(4) Este aparato no está diseñado para ser utilizado por personas (incluidos niños) con capacidades físicas, sensoriales o mentales reducidas o falta de experiencia y conocimientos a menos que hayan recibido supervisión o instrucción sobre el mismo. uso del aparato por una persona responsable de su seguridad.

(5) Los niños deben ser supervisados para evitar que jueguen con el aparato.

(6) Este aparato puede ser utilizado por niños mayores de 8 años y personas con capacidades físicas, sensoriales o mentales reducidas o con falta de Experiencia y conocimientos si han recibido supervisión o instrucción sobre el uso del aparato de forma segura y comprender los peligros. Los niños no deben jugar con el aparato. Limpieza y uso El mantenimiento no deberá ser realizado por niños sin supervisión.

(7) Para evitar un peligro debido a la inestabilidad del aparato, éste deberá fijarse bajo Las instrucciones.

(8) No almacene sustancias explosivas como latas de aerosol con un material inflamable. propulsor en este aparato.

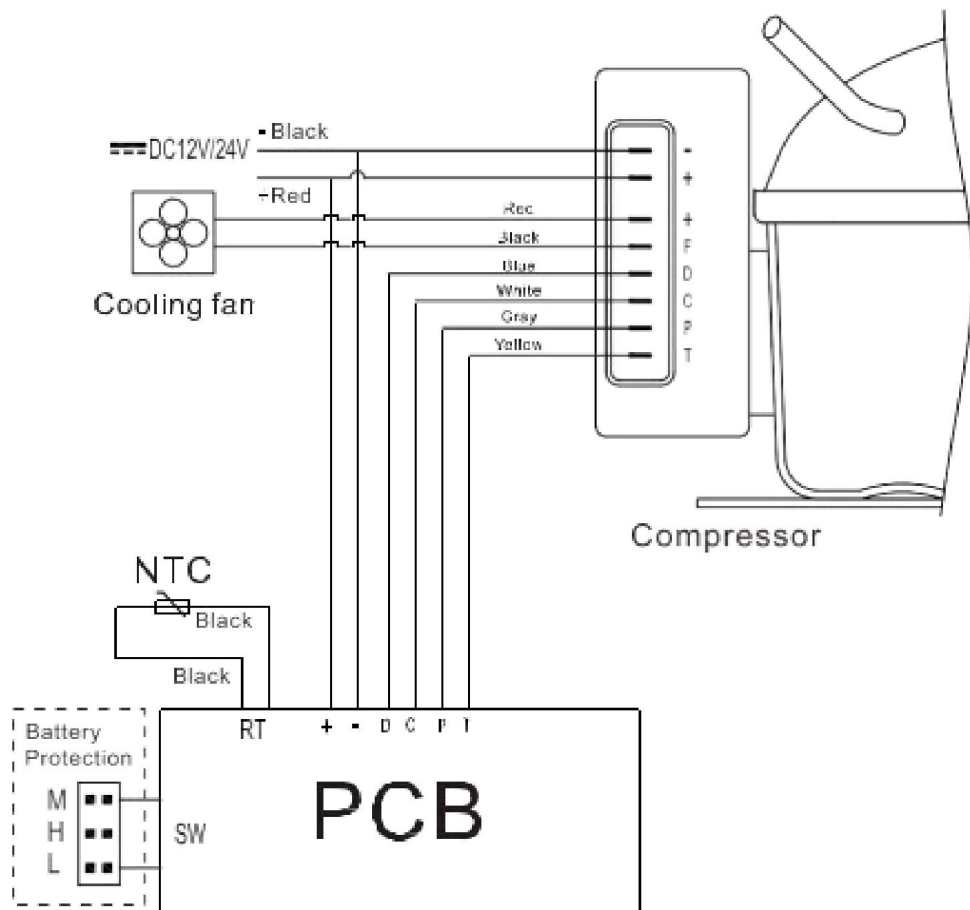
**ADVERTENCIA:** Este aparato contiene ciclopentano, un agente espumante inflamable:

- 1) Evite el contacto con el fuego durante el transporte y el uso.
- 2) Si la máquina se estropea, solicite el mantenimiento a un profesional.
- 3) Cuando lo deseche, envíelo a la estación de eliminación local designada.



**ADVERTENCIA:** Durante el uso, mantenimiento y eliminación del aparato, tenga cuidado. Preste atención a un símbolo similar al del lado izquierdo, que se encuentra en la parte posterior de la aparato (panel trasero o compresor) y con color amarillo o naranja. Es un riesgo de Símbolo de advertencia de incendio. Hay materiales inflamables en las tuberías de refrigerante y Compresores. Manténgase alejado de fuentes de fuego durante el uso, el mantenimiento y la eliminación.

## Diagrama esquemático eléctrico





**VEVOR<sup>®</sup>**  
**TOUGH TOOLS, HALF PRICE**

Soporte técnico y certificado de garantía  
electrónica <https://www.vevor.com/support>



# VEVOR<sup>®</sup>

## TOUGH TOOLS, HALF PRICE

Wsparcie techniczne i certyfikat gwarancji elektronicznej [www.vevor.com/support](http://www.vevor.com/support)

### LODÓWKA SAMOCHODOWA

### INSTRUKCJA OBSŁUGI

MODEL: T35K T45K T55K

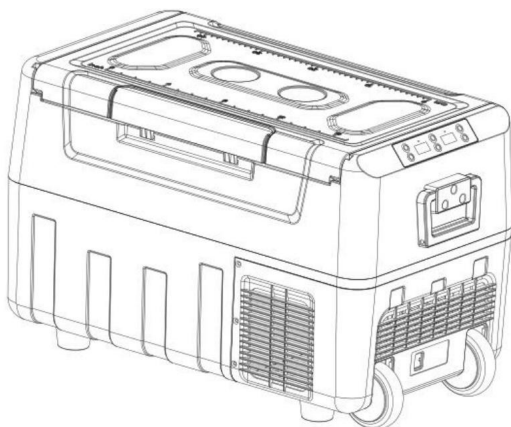
Nadal staramy się oferować Państwu narzędzia w konkurencyjnych cenach.

„Oszczędź połowę”, „Połowa ceny” lub inne podobne wyrażenia używane przez nas stanowią jedynie szacunkowe oszczędności, jakie możesz uzyskać kupując u nas określone narzędzia w porównaniu z głównymi markami i niekoniecznie oznaczają one objęcie wszystkich kategorii narzędzi oferowanych przez nas. Uprzejmie przypominamy, aby dokładnie sprawdzić, czy składając u nas zamówienie faktycznie oszczędzasz połowę w porównaniu z głównymi markami.

# VEVOR<sup>®</sup>

Lodówka samochodowa

T35K T45K T55K



<Zdjęcie tylko w celach informacyjnych>

POTRZEBUJESZ POMOCY? SKONTAKTUJ SIĘ Z NAMI!

Masz pytania dotyczące produktu? Potrzebujesz wsparcia technicznego? Skontaktuj się z nami:



Obsługa Klienta@vevor.com

To jest oryginalna instrukcja, proszę przeczytać wszystkie instrukcje w podręczniku

przed rozpoczęciem użytkowania należy dokładnie zapoznać się z treścią niniejszego Regulaminu. VEVOR zastrzega sobie prawo do jednoznacznej interpretacji naszych

instrukcja obsługi. Wygląd produktu podlega produkt, który otrzymałeś. Przepraszamy, że nie poinformujemy Cię ponownie, jeśli czy w naszym produkcie pojawiły się jakieś aktualizacje technologii lub oprogramowania.



Niniejszy produkt podlega postanowieniom dyrektywy europejskiej 2012/19/UE. Symbol przedstawiający przekreślony kosz na śmieci na kółkach oznacza, że produkt wymaga oddzielnej zbiórki odpadów w Unia Europejska. Dotyczy produktu i wszystkich akcesoriów oznaczone tym symbolem. Produkty oznaczone w ten sposób nie mogą być wyrzucać razem z normalnymi odpadami domowymi, ale należy je oddać do punkt zbiórki sprzętu elektrycznego i elektronicznego przeznaczonego do recyklingu.

## Uprzejmości

Przed użyciem lodówki prosimy o dokładne zapoznanie się z niniejszą instrukcją i zachowanie jej w należyтым stanie. odpowiednio.

1. Przed użyciem lodówki należy wyczyścić ją wewnątrz i na zewnątrz wilgotną szmatką.

2. Nie napełniaj lodówki płynami żrącymi. Nie wlewaj płynów bezpośrednio do lodówki.

lodówka.

3. Jeżeli lodówka nie jest używana przez dłuższy czas, należy odłączyć ją od zasilania.

dostarczać i utrzymywać w suchości.

4. Regularnie czyść komorę wewnętrzną, aby zapobiec powstawaniu nieprzyjemnych zapachów i bakterii oraz zapewnić

bezpieczeństwo żywności.

5. Niniejsza instrukcja dotyczy lodówek T35K/T45K/T55K (amerykańskich i europejskich).

(rynk).

## Podłącz zasilanie

1. Znajdź przewód zasilający DC w zestawie. Podłącz wtyczkę DC do gniazdka zasilania

lodówka samochodowa.

2. Dobrze rozmieść lodówki w samochodzie (miejsca zapasowe, siedzenia...).
3. Rozłóż przewody zasilające zgodnie z przestrzenią wewnętrzną samochodu. Następnie włóż papierosa wtyczkę zapalniczkę (jedną stroną przewodu zasilającego) do gniazda zapalniczki samochodowej.
4. Naciśnij przycisk „ON/OFF” przez 3 sekundy, aby włączyć lodówkę samochodową.



Adapter

Podłącz zapalniczkę samochodową

Podłącz lodówkę samochodową

Produkt można podłączyć do więcej niż jednego źródła zasilania.

Lodówka pokładowa jest bezpośrednio podłączona do zasilania DC12V/24V DC dostarczać.

Lodówka samochodowa wyposażona w zasilacz AC100-240V może być używana w domu o napięciu AC100-240V.

## Instrukcje

Odniesienie do napięcia zabezpieczenia akumulatora samochodowego:

Wbudowany moduł sterowania elektronicznego ECO umożliwia automatyczne monitorowanie pojazdu napięcie akumulatora. Zanim zużycie energii wpłynie na standardowy zapłon pojazdu, lodówka pokładowa automatycznie odłączy zasilanie do upewnij się, że moc akumulatora pojazdu nie będzie zbyt niska, aby wpłynąć na standard zapłon pojazdu.

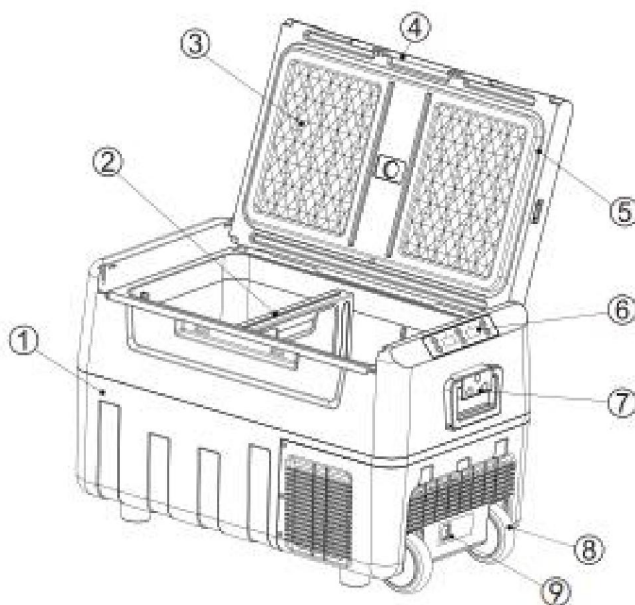
Napięcie akumulatora	Wartość zabezpieczenia napięciowego ustawiona fabrycznie na H		
	Poziom H (wysoki)	Poziom M (średni)	Poziom L (niski)
Prąd stały 12 V	DC11,3V WYŁ.	DC10,1V WYŁ.	DC9.6V WYŁ.
	DC12,5V WŁ.	DC11,4V WŁ.	WŁ. DC10,9 V

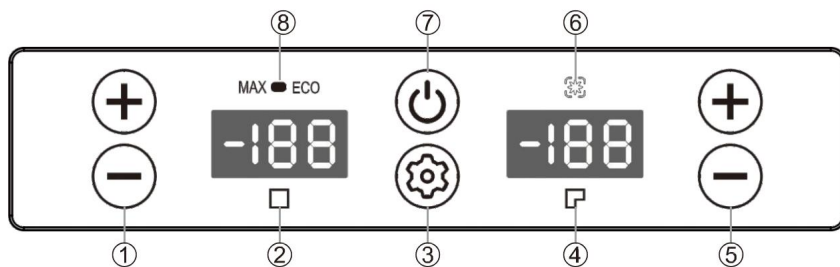
Prąd stały 24 V	DC24,6V WYŁ	DC22,3V WYŁ	DC21,3V WYŁ
	DC26,0 V WŁ.	DC23.7V WŁ.	WŁ.22,7 V DC

Uwaga: Po podłączeniu zasilania i włączeniu lodówki, przez odłączenie i uruchamianie rozumie się odłączenie lub uruchamianie sprężarki.

## Diagram komponentów

1. Gabinet
2. Tabliczka znamionowa
3. Pokrywa etui
4. Klamra drzwi
5. Pasek
6. Panel sterowania
7. uszczelniający 7. Uchwyt (opcjonalnie)
8. Koło (opcjonalnie)
9. Interfejs zasilania





Ustawienia dla dużej komory    duża komora    Przycisk ustawień  
Mała komora    Ustawienia dla małej komory    Chłodzenie  
wskaźnik    Przycisk WŁ./WYŁ.    Max/Eco

### Wprowadzenie do funkcji

Po włączeniu zasilania ekran wyświetlacza cyfrowego będzie w pełni podświetlony przez 1 sekundę, a następnie wyświetlane normalnie. Domyślnie jest to ostatnia funkcja pamięci. Ekran wyświetlacza w trybie czuwania wskaźnik temperatury będzie stale podświetlony na środku.

#### 1. Otwórz i zamknij

Po włączeniu zasilania lodówka przejdzie w tryb czuwania.

Teraz naciśnij przycisk ON/OFF, aby otworzyć lodówkę. Po otwarciu lodówki po otwarciu wyświetlacz pokaże aktualną temperaturę pomieszczenia magazynowego. zacznij biec.

Ostrzeżenie: Wyświetlana temperatura dotyczy wyłącznie temperatury wokół czujnika.

Temperatura w różnych punktach pomieszczenia magazynowego jest różna.



Dlatego jest to normalne, jeżeli wyświetlana temperatura różni się od zmierzonej.

temperatura.

Naciśnij przycisk WŁ./WYŁ., gdy lodówka pracuje, a lodówka się wyłączy.

powrót do trybu czuwania.

#### 2. Ustawienie temperatury

1) Włącz lodówkę, naciśnij  aby podnieść ustawioną temperaturę i  zmniejszyć

temperatura komory magazynowej. Każde naciśnięcie zmieni się o 1 °C, a maksymalna

można ustawić na 10 °C, a minimalną temperaturę można ustawić na -20 °C. Należy pamiętać, że deska musi znajdować się w prawidłowej pozycji przed ustawieniem temperatury w dużej komorze.

2) Po zdjęciu kłapy z komory wyświetlacz temperatury małego

Komora będzie wyłączona. W tym stanie jest tylko jedna komora do przechowywania.


3) Wyświetlacz temperatury będzie migał przez 3 sekundy, a następnie po dokonaniu regulacji zostanie ustalone ustawienie.

temperatura i brak dalszych działań na przyciskach. Ustawiona temperatura zostanie zapamiętana,

a wyświetlacz powróci do wyświetlania aktualnej temperatury w komorze przechowywania.

4) Wartość domyślna dla pierwszego uruchomienia wynosi 0 °C/32 °F.

### 3. Konwersja trybu MAX/ECO

Naciśnij bezpośrednio  klawisz, aby przełączyć na tryb MAX lub ECO.


Tryb pracy MAX: lodówka będzie intensywnie pracować, aby szybko obniżyć temperaturę.

Model ECO: lodówka będzie pracować dłużej, aby obniżyć temperaturę i zaoszczędzić energię.

### 4. Przełączanie wyświetlania stopni Celsjusza (° C)/Fahrenheita (° F)

Naciśnij i przytrzymaj przycisk „+” i przycisk ustawień po lewej stronie (duży kwadrat) przez ponad 3 sekundy, aby przełączyć.

### 5. Poziomy ochrony baterii: H1 (wysoki), N2 (niski), L3 (średni)

Naciśnij  klawisz przez 3 sekundy, aby wejść w ustawienia ochrony baterii. Naciśnij klawisz ponownie, aby przełączyć poziomy H1 N2 L3 na zmianę.

Jeżeli nie wykryto żadnych operacji, ustawiony poziom będzie migał przez 3 sekundy, a następnie nastąpi wyjście i zapisanie bieżące ustawienie.

### Tabela parametrów modelu:

Model	Warstwa	Voltaż	AC	<small>Prąd stały</small> Moc	Hartować natura Regulować zdolny	Wtyczka typ
NIE.	miasto	AC100 ~ 24 0V (50/60Hz) Prąd stały 12 V/24 V	Moc	Chłodzenie	50~ 4°F	jeleń wtyczka <small>Prąd stały</small> wtyczka

T35K 35L		AC100 ~ 24 0V (50/60Hz)D 12V/24V	Chłodzenie : 60 W	Chłodzenie G 60 W	10~- 20 °C	UE wtyczka <small>Prąd stały</small> wtyczka
T45K 45L		AC 100~240 V (50/60Hz)D 12V/24V	Chłodzenie : 60 W	Chłodzenie G: 60 W	50~- 4°F	jeleń wtyczka <small>Prąd stały</small> wtyczka
T45K 45L		AC 100~240 V (50/60Hz)D 12V/24V	Chłodzenie : 60 W	Chłodzenie G: 60 W	10~- 20 °C	UE wtyczka <small>Prąd stały</small> wtyczka
T55K 55L		AC 100~240 V (50/60Hz)D 12V/24V	Chłodzenie : 60 W	Chłodzenie G: 60 W	50~- 4°F	jeleń wtyczka <small>Prąd stały</small> wtyczka
T55K 55L		AC 100~240 V (50/60Hz)D 12V/24V	Chłodzenie : 60 W	Chłodzenie G: 60 W	10~- 20 °C	UE wtyczka <small>Prąd stały</small> wtyczka

Uwaga dotycząca ustawiania temperatury

Włóż klapę w prawidłowej pozycji komory do przechowywania, a następnie włącz lodówkę. Na wyświetlaczu pojawi się temperatura dwóch komór do przechowywania. Podczas regulacji temperatury ustawienie temperatury małej komory (TS) nie może być wyższe niż ustawienie temperatury dużej komory (TL).

TS TL

Na przykład, jeśli ustawiona temperatura małej komory (TS) wynosi -10°C (14°F), zakres ustawienia temperatury dużej komory (TL) wynosi od -10°C (14°F) do 10°C (50°F). Wskazówki: używaj dużej komory do świeżej żywności, a małej komory do mrożonej żywności.



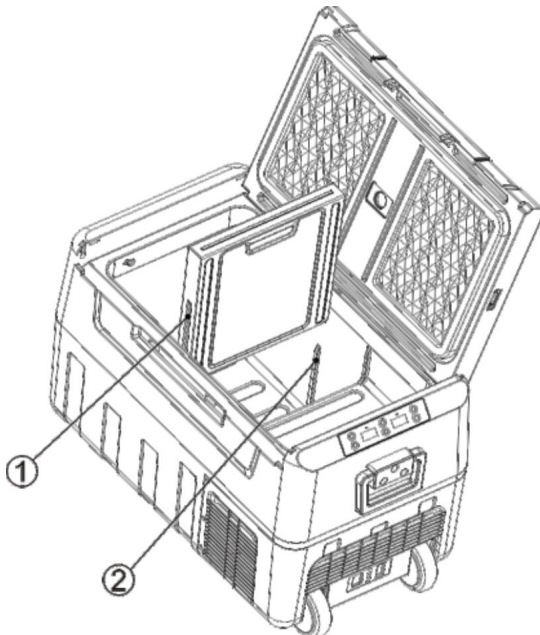
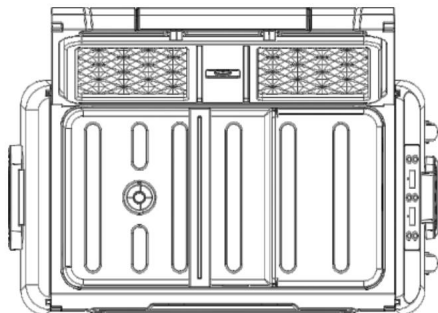
### Funkcja pamięci wyłączenia zasilania

Lodówki samochodowe mają funkcję pamięci wyłączenia zasilania. Gdy nastąpi utrata zasilania, stan roboczy (stan włączony/wyłączony, tryb pracy itp.) przed wyłączeniem zasilania można sprawdzić automatycznie przywracane przy następnym uruchomieniu; nie ma potrzeby ponownego konfigurowania.

ECO: energooszczędne chłodzenieMAX: wydajne chłodzenie

### Użyj Clapboard

1. Dopasuj do dwóch szyn na wewnętrznej wkładce.
2. Pionowo dociśnij deskę do dolnej krawędzi wykładziny.



## Prosta analiza błędów

Porada: Jeśli nie uda się rozwiązać nietypowych sytuacji poprzez prostą analizę usterek, prosimy o kontakt z profesjonalną obsługą klienta w celu uzyskania pomocy.

### I. Lodówka samochodowa nie działa

1. Sprawdź, czy zasilanie jest prawidłowo podłączone. (Sprawdź, czy wtyczka nie jest poluzowana lub (bieguny dodatnie i ujemne są odwrócone).
2. Sprawdź, czy wyłącznik zasilania na panelu operacyjnym jest włączony.
3. Sprawdź czy wentylacja chłodząca działa prawidłowo.
4. Sprawdź czy bezpiecznik jest przepalony.

### II. Słaba wydajność chłodzenia

1. Sprawdź, czy pokrywa jest prawidłowo zamknięta.
2. Sprawdź, czy uszczelka drzwi nie jest uszkodzona lub odkształcona.
3. Sprawdź, czy wokół lodówek nie ma słabej wentylacji.
4. Sprawdź czy temperatura jest ustawiona prawidłowo.

### Definicja kodów błędów na wyświetlaczu

Kod błędu	Typ błędu
E1	Niskie napięcie wejściowe
E2	Awaria wentylatora
E3	Nieudany rozruch sprężarki
E4	Niska prędkość obrotowa sprężarki
E5	Temperatura modułu sterującego jest zbyt wysoka
E6	Otwarty lub zwarty obwód NTC

### III. Hałas nienormalny

1. Lodówka samochodowa musi być ustawiona w równym miejscu.
2. Dotknij ściany lub innego obiektu.
3. Wewnątrz znajdują się luźne lub odpadające części.

### IV. Kondensacja na powierzchni lodówki

Gdy wilgotność powietrza w otoczeniu przekroczy 75%, na powierzchniach będzie występować lekka kondensacja. powierzchnia pudełka, co jest normalne.

## Niepowodzenia i rozwiązania

### E1: Niskie napięcie wejściowe

Błąd 1: Podłącz przewód zasilający lodówkę do gniazda zapalniczkowego samochodu przed uruchomieniem samochodu. uruchamia się. Rozwiązanie 1: Po uruchomieniu samochodu odczekaj chwilę, zanim go podłączysz.

Błąd 2: Napięcie wejściowe adaptera jest zbyt niskie.

Rozwiązanie 2: Dostosuj poziom ochrony akumulatora do średniego lub niskiego napięcia. Jeśli nie działa, wymień adapter na nowy.

### E2: Awaria wentylatora

W przypadku stwierdzenia usterki wentylatora należy go wymienić na nowy.

### E3: Błąd napięcia wejściowego spowodowany częstym uruchamianiem się sprężarki

Gdy w samochodzie używana jest lodówka i pojawia się komunikat E3, wyłącz ją na 5 minut. minut i uruchom ponownie.

Jeśli to nie zadziała, można to zidentyfikować jako usterkę E1; proszę rozwiązać problem zgodnie z rozwiązaniem E1.

Gdy lodówka łączy się z adapterem i pojawia się komunikat E3

Ustaw poziom ochrony baterii na średni lub niski. Jeśli to nie pomoże, wymień adapter na nowy.

### E4: Niska prędkość obrotowa sprężarki

Proszę dostosować napięcie wejściowe i ponownie włączyć urządzenie.

### E5: Przegrzanie układu sterującego

Proszę wyłączyć urządzenie na 5 minut i sprawdzić, czy kiepska wentylacja wokół niego działa prawidłowo.

sprężarka powoduje przegrzanie.

## Użyj sugestii

1. Jeśli wyposażony jest w baterię zapasową, możesz utrzymać dowolną ustawioną temperaturę w żadnych okolicznościach, bez obaw.
2. Podczas układania lodów ustaw najniższą temperaturę; musi być włączony przez długi czas.
3. Zapobiegaj problemom zdrowotnym związanym z piciem wody butelkowanej, spowodowanym przez wysokie temperatury.
4. Mrożona żywność, rzadkie owoce morza i lodówki samochodowe umożliwiają przechowywanie świeżych produktów mrożonych jedzenie towarzyszy podróży.
5. Produkty opieki zdrowotnej, insulina i importowane leki muszą być przechowywane w lodówce, precyzyjna kontrola temperatury w lodówkach pokładowych będzie towarzyszyć zdrowiu droga.
6. Liście herbaty pozostają świeże w lodówce samochodowej i można je przechowywać napój się świeżej i pysznej herbaty w dowolnym momencie podczas wycieczki samochodem.
7. Najlepsza temperatura przechowywania czerwonego wina wynosi 10 °C - 18 °C (50 - 64,4 °F). precyzyjna kontrola temperatury w lodówce samochodowej może skutecznie zapewnić temperatura przechowywania czerwonego wina.
8. Czas przechowywania owoców wysokiej jakości w samochodzie w wysokich temperaturach letnich będzie być co najmniej 2 godziny. Czas przechowywania jest krótszy nawet jeśli klimatyzator jest włączony wł. Używanie lodówki samochodowej może skutecznie konserwować owoce wysokiej jakości.
9. Powłoka wysokiej jakości okularów przeciwsłonecznych odpadnie pod wpływem wysokiej temperatury. lato. Lodówka samochodowa jest idealnym miejscem do jej umieszczenia.
10. Wysokiej jakości kosmetyki szybko niszczej pod wpływem wysokich temperatur panujących w samochodzie. Zabierz kosmetyki do samochodu; lepszym wyborem będzie lodówka samochodowa.

## Środki ostrożności

- (1) Upewnij się, że napięcie zasilania podłączone do lodówki pokładowej jest prawidłowe.

w dowolnym momencie (Parametry są oznaczone zatwierdzonymi parametrami napięcia (lodówka pokładowa).

(2) Nie wlewaj płynów bezpośrednio do lodówki samochodowej.

(3) W celu uniknięcia niebezpieczeństwa zabrania się dokonywania jakichkolwiek modyfikacji lodówki bez zezwolenia.

(4) Urządzenie to nie jest przeznaczone do użytku przez osoby (w tym dzieci) z ograniczone zdolności fizyczne, sensoryczne lub umysłowe lub brak doświadczenia i wiedzy, chyba że zapewniono im nadzór lub poinstruowano ich w tym zakresie użytkowanie urządzenia przez osobę odpowiedzialną za jego bezpieczeństwo.

(5) Dzieci należy nadzorować, aby nie bawiły się urządzeniem.

(6) Z urządzenia mogą korzystać dzieci w wieku od 8 lat i starsze.

osoby o ograniczonej sprawności fizycznej, sensorycznej lub umysłowej lub o braku doświadczenia i wiedzy, jeżeli sprawowano nad nimi nadzór lub udzielano im instrukcji dotyczące bezpiecznego korzystania z urządzenia i rozumienia zagrożeń zaangażowany. Dzieci nie mogą bawić się urządzeniem. Czyszczenie i użytkowanie Dzieci nie mogą wykonywać żadnych prac konserwacyjnych bez nadzoru.

(7) Aby uniknąć zagrożenia wynikającego z niestabilności urządzenia, należy je zamocować pod instrukcje.

(8) Nie przechowuj substancji wybuchowych, takich jak puszki aerozolowe z łatwopalną substancją. materiał pędny w tym urządzeniu.

**OSTRZEŻENIE:** To urządzenie zawiera łatwopalny środek spieniający cyklopentan:

1) Podczas transportu i użytkowania należy unikać kontaktu z ogniem.

2) Jeśli maszyna ulegnie awarii, należy zwrócić się o pomoc do specjalisty.

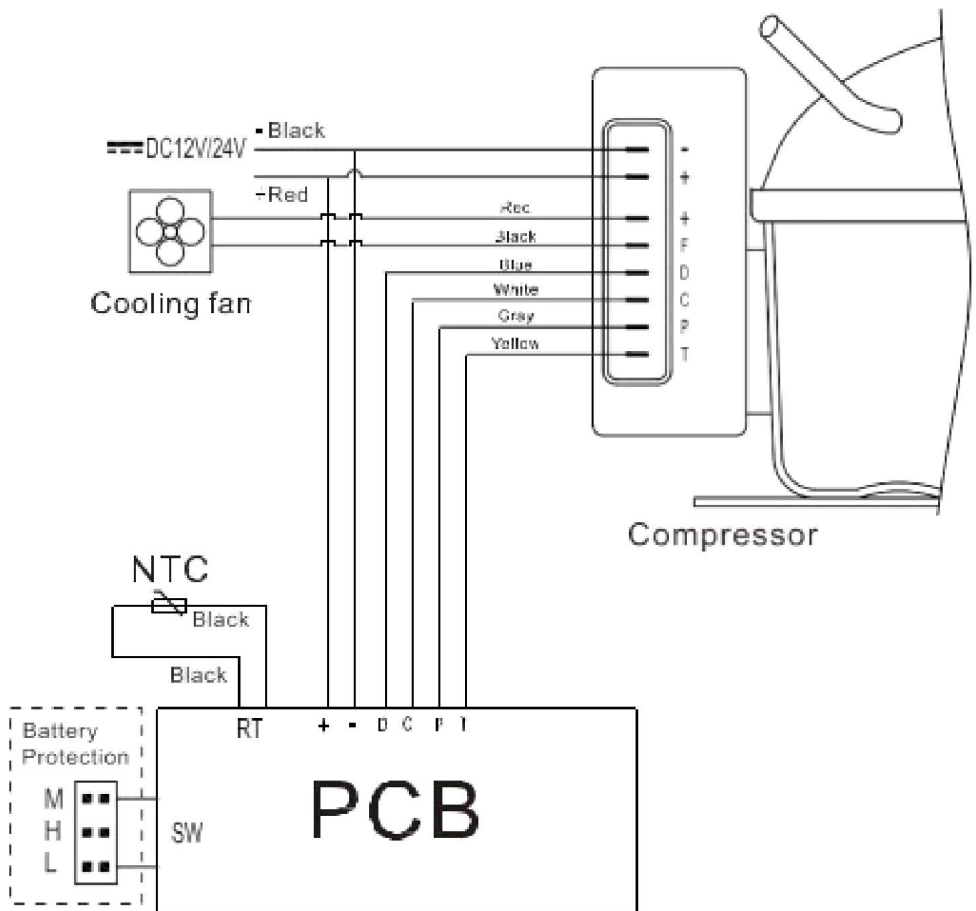
3) Wyrzucane odpady należy przekazać do lokalnego punktu utylizacji odpadów.



**OSTRZEŻENIE:** Podczas użytkowania, serwisowania i utylizacji urządzenia należy:

zwróć uwagę na symbol podobny do tego po lewej stronie, który znajduje się z tyłu urządzenia (panel tylny lub kompresor) i w kolorze żółtym lub pomarańczowym. Istnieje ryzyko symbol ostrzegawczy przed ogniem. W rurach chłodniczych znajdują się materiały łatwopalne i sprężarki. Proszę trzymać się z dala od źródeł ognia podczas użytkowania, serwisowania i utylizacji.

## Schemat elektryczny





**VEVOR**<sup>®</sup>  
**TOUGH TOOLS, HALF PRICE**

Wsparcie techniczne i certyfikat gwarancji  
elektronicznej <https://www.vevor.com/support>



# **VEVOR**®

## **TOUGH TOOLS, HALF PRICE**

Technische ondersteuning en e-garantiecertificaat [www.vevor.com/support](http://www.vevor.com/support)

## **AUTOKOELKAST**

### **GEBRUIKERSHANDLEIDING**

### **MODEL: T35K T45K T55K**

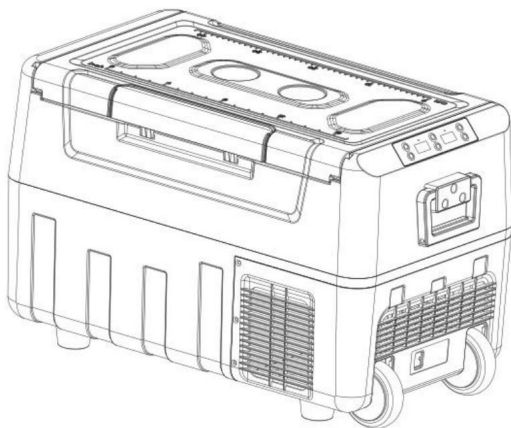
Wij streven er voortdurend naar om u gereedschappen tegen concurrerende prijzen te leveren.

"Bespaar de helft", "halve prijs" of andere soortgelijke uitdrukkingen die wij gebruiken, geven alleen een schatting van de besparingen die u kunt behalen door bepaalde gereedschappen bij ons te kopen in vergelijking met de grote topmerken en doseringen betekenen niet noodzakelijkerwijs dat ze alle categorieën gereedschappen dekken die wij aanbieden. Wij herinneren u eraan om zorgvuldig te controleren of u daadwerkelijk de helft bespaart in vergelijking met de grote topmerken wanneer u een bestelling bij ons plaatst.

# VEVOR<sup>®</sup>

*Auto koelkast*

**T35K T45K T55K**



<Afbeelding alleen ter referentie>

**HULP NODIG? NEEM CONTACT MET ONS OP!**

Heeft u vragen over het product? Heeft u technische ondersteuning nodig? Neem dan gerust contact met ons op:

 **Klantenservice@vevor.com**

Dit is de originele instructie, lees alle instructies in de handleiding zorgvuldig door voordat u gaat werken. VEVOR behoudt zich een duidelijke interpretatie van onze gebruikershandleiding. Het uiterlijk van het product is onderworpen aan de product dat u hebt ontvangen. Vergeef ons dat we u niet opnieuw zullen informeren als er technologische of software-updates voor ons product zijn.



Dit product is onderworpen aan de bepalingen van de Europese richtlijn 2012/19/EU. Het symbool met een klike-afvalbak doorkruist geeft aan dat het product gescheiden afvalinzameling vereist in de Europese Unie. Dit geldt voor het product en alle accessoires gemarkeerd met dit symbool. Producten die als zodanig gemarkeerd zijn, mogen niet weggegooid met het normale huisvuil, maar moet naar het huishoudelijk afval worden gebracht. een inzamelpunt voor het recyclen van elektrische en elektronische apparaten.

## Aandacht

Lees deze handleiding zorgvuldig door voordat u de koelkast gaat gebruiken en bewaar deze zorgvuldig.

op de juiste manier.

1. Maak de koelkast voor gebruik van binnen en buiten schoon met een vochtige doek.
2. Vul de koelkast niet met bijtende vloeistoffen. Giet geen vloeistoffen rechtstreeks in de koelkast.
3. Wanneer de koelkast gedurende een langere tijd niet wordt gebruikt, dient u de stroom uit het stopcontact te halen. voorraad en houd het droog.
4. Reinig de binnenkamer regelmatig om geurtjes en bacteriën te voorkomen en ervoor te zorgen voedselveiligheid.
5. Deze handleiding is van toepassing op T35K/T45K/T55K koelkasten (Amerikaanse en Europese markten).

## Sluit de voeding aan

1. Zoek het DC-netsnoer in de kit. Sluit de DC-stekker aan op het stopcontact van de

koelkast in de auto.

2. Plaats de koelkasten in de auto (achterruit, stoelen...).

3. Leg de stroomkabels neer volgens de binnenruimte van uw auto. Plaats vervolgens de sigarettenaansteker

Steek de stekker (één kant van het netsnoer) in de sigarettenaansteker van de auto.

4. Druk 3 seconden op "AAN/UIT" om de koelkast in de auto aan te zetten.



Adapter

Sluit de sigarettenaansteker van de auto aan

Sluit de autokoelkast aan

Het product kan op meer dan één voeding worden aangesloten.

De koelkast aan boord is rechtstreeks aangesloten op de DC12V/24V DC-voeding levering.

De autokoelkast die is uitgerust met een AC100-240V AC-adaptor kan worden gebruikt bij: thuis met een spanning van AC100-240V.

## Instructies

### Referentiespanning voor de bescherming van de auto-accu:

Ingebouwde ECO elektronische controlemodule kan het voertuig automatisch bewaken accuspanning. Voordat het stroomverbruik de standaardontsteking van de voertuig, zal de koelkast aan boord automatisch de stroomtoevoer naar

Zorg ervoor dat het vermogen van de accu van het voertuig niet te laag is, waardoor de norm niet wordt beïnvloed. ontsteking van het voertuig.

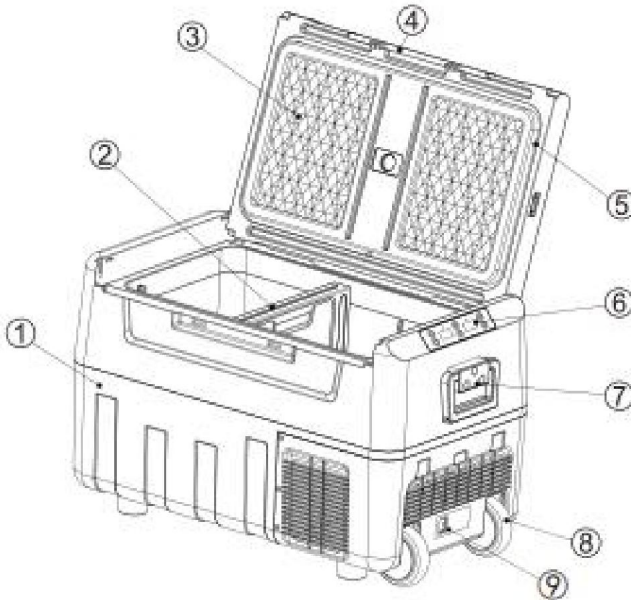
Batterijspanning	Standaard fabrieksspanningsbeveiligingswaarde H		
	H (hoog) niveau	M (gemiddeld) niveau	L (laag) niveau
DC12V	DC11.3V UIT	DC10.1V UIT	DC9.6V UIT
	DC12.5V AAN	DC11.4V AAN	DC10,9V AAN

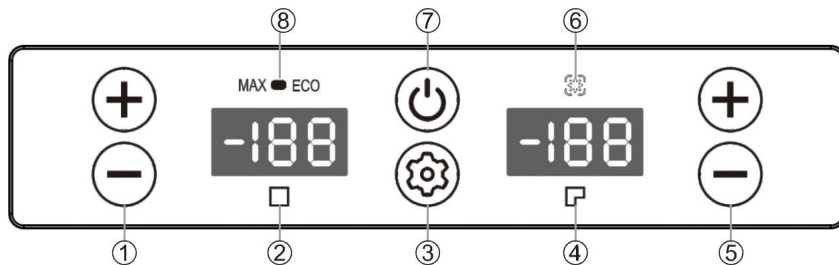
<b>DC24V</b>	DC24.6V UIT	DC22.3V UIT	DC21.3V UIT
	DC26.0V AAN	DC23.7V AAN	DC22,7V AAN

**Let op:** Wanneer de stroomvoorziening is aangesloten en de koelkast is ingeschakeld, wordt met loskoppelen of starten het loskoppelen of starten van de compressor bedoeld.

## Componentendiagram

1. Kabinet
2. Geclassificeerde plaat
3. Hoesje
4. Deursluiting
5. Afdichtstrip
6. Bedieningspaneel
7. Handvat (optioneel)
8. Wiel (optioneel)
9. Stroominterface





ÿInstelling voor groot compartiment ÿgroot compartiment ÿInstelknop  
ÿKlein compartiment ÿInstelling voor klein compartiment ÿKoeling  
indicator ÿAAN/UIT-knop ÿ Max/Eco

### ÿFunctie Introductie

Na het inschakelen zal het digitale displayscherm gedurende 1 seconde volledig verlicht zijn en normaal weergegeven. De standaard is de laatste geheugenfunctie. Het displayscherm Het temperatuurcijfer brandt permanent in het midden in de stand-bymodus.

#### 1. Openen en sluiten

Nadat de stroom is ingeschakeld, staat de koelkast in de stand-bymodus.

Druk nu op de AAN/UIT-knop om de koelkast te openen. Nadat de koelkast is geopend, zal het display de huidige temperatuur van de opslagruimte weergeven. Het zal begin met rennen.

Waarschuwing: De weergegeven temperatuur is alleen de temperatuur rondom de sensor.

De temperatuur op verschillende plekken in de opslagruimte is verschillend.

Het is dus normaal als de weergegeven temperatuur afwijkt van de gemeten temperatuur. temperatuur.


Druk op de AAN/UIT-knop terwijl de koelkast draait, en de koelkast zal terug naar stand-by.

#### 2. Temperatuurstelling

1) Schakel de koelkast in, druk op (+) om de ingestelde temperatuur te verhogen en (-) om de temperatuur van het opslagcompartiment. Elke druk verandert met 1 ÿ, en de maximale kan worden ingesteld op 10 ÿ, en het minimum kan worden ingesteld op - 20 ÿ. Let op, het clapboard moet op de juiste positie worden geplaatst vóór de ingestelde temperatuur van het grote compartiment.

- 2) Als het paneel uit het compartiment wordt verwijderd, wordt de temperatuurweergave van de kleine compartiment zal uit zijn. In deze toestand is er slechts één opbergcompartiment.
- 3) De temperatuurweergave knippert 3 seconden lang en na het aanpassen wordt de instelling vastgelegd de temperatuur en geen actie meer op knoppen. De ingestelde temperatuur wordt onthouden, en het display zal weer de werkelijke temperatuur van het opbergvak weergeven.
- 4) De standaardwaarde voor een eerste opstart is 0 °/32 °.

### 3. MAX / ECO-modusconversie

Direct drukken  toets om over te schakelen naar de MAX-modus of ECO-modus.

MAX-stand: de koelkast werkt hard om de temperatuur snel te verlagen.

ECO-model: de koelkast werkt langer om de temperatuur te verlagen en zo energie te besparen.

### 4. Celsius (° C)/Fahrenheit (° F) weergave schakelen

Houd de "+"-toets en de insteltoets aan de linkerkant (groot vak) langer dan 3 seconden ingedrukt om schakelaar.

### 5. Batterijbeschermingsniveaus: H1 (Hoog) N2 (Laag) L3 (Medium)

Pers  toets gedurende 3 seconden om de batterijbeschermingsinstelling te openen. Druk nogmaals op de toets om

Wissel om de beurt van H1 N2 L3-niveau.

Als er geen handelingen zijn gedetecteerd, knippert het ingestelde niveau 3 seconden lang, waarna het wordt afgesloten en opgeslagen. huidige instelling.

### Modelparametertabel:

Model Nee.	Laag stad	Spanning	AC Stroom	<small>gelijstroom</small> Stroom	Woedeaanval natuur Aanpassen bekwaam	Plug type
T35K 35L		AC100~24 0V (50/60 Hz) DC12V/24V	Koeling : 60W	Afkoelen G 60W	50~ 4°	hert plug <small>gelijstroom</small> plug

T35K 35L		AC100~24 0V (50/60Hz)D C12V/24V	Koeling : 60W	Afkoelen G 60W	10~ 20 ÿ	EU plug <small>gelijkstroom</small> plug
T45K 45L		AC 100~240V (50/60Hz)D C12V/24V	Koeling : 60W	Afkoelen G: 60W	50~ 4ÿ	hert plug <small>gelijkstroom</small> plug
T45K 45L		AC 100~240V (50/60Hz)D C12V/24V	Koeling : 60W	Afkoelen G: 60W	10~ 20 ÿ	EU plug <small>gelijkstroom</small> plug
T55K 55L		AC 100~240V (50/60Hz)D C12V/24V	Koeling : 60W	Afkoelen G: 60W	50~ 4ÿ	hert plug <small>gelijkstroom</small> plug
T55K 55L		AC 100~240V (50/60Hz)D C12V/24V	Koeling : 60W	Afkoelen G: 60W	10~ 20 ÿ	EU plug <small>gelijkstroom</small> plug

### Opmerking voor temperatuurinstelling

Plaats het clapboard in de juiste positie van het opbergvak en schakel vervolgens de koelkast in. Het display toont de temperatuur van twee opbergvakken. Bij het aanpassen van de temperatuur kan de temperatuur van het kleine vak (TS) niet hoger worden ingesteld dan de temperatuur van het grote vak (TL).

TS ÿTL

Bijvoorbeeld, als de ingestelde temperatuur van het kleine compartiment (TS) op -10ÿ (14 ÿ) staat, is het bereik van de insteltemperatuur van het grote compartiment (TL) van -10ÿ (14ÿ) tot 10ÿ (50ÿ).

Tips: gebruik een groot compartiment voor verse levensmiddelen en een klein compartiment voor bevroren levensmiddelen.



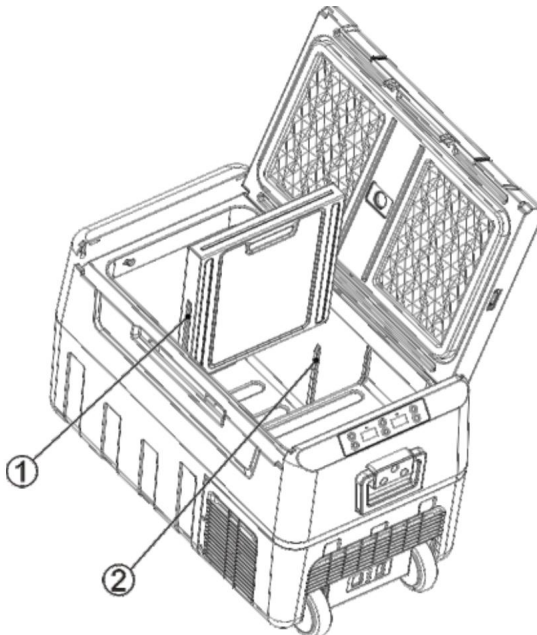
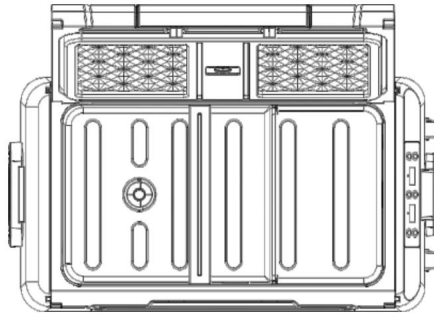
### Geheugenfunctie bij uitschakelen

Er is een power-off geheugenfunctie voor autokoelkasten. Wanneer de stroom uitvalt, de werkstatus (aan/uit-status, werkmodus, enz.) voordat het apparaat kan worden uitgeschakeld automatisch hersteld bij de volgende keer opstarten; u hoeft het niet opnieuw in te stellen.

ECO: Energiebesparende koelingMAX: Krachtige koeling

### Gebruik Clapboard

1. Lijn uit met de twee rails op de binnenvoering.
2. Duw het dakspaan verticaal naar de onderkant van de voering.



## Eenvoudige foutanalyse

**Advies:** Als abnormale situaties niet kunnen worden opgelost door een eenvoudige storingsanalyse, neem dan contact op met de professionele klantenservice voor hulp.

### I. Autokoelkast werkt niet

1. Controleer of de stroom goed is aangesloten. (Controleer of de stekker los zit of positieve en negatieve polen zijn omgedraaid).
2. Controleer of de aan/uit-schakelaar op het bedieningspaneel is ingeschakeld.
3. Controleer of de koelventilatie normaal is.
4. Controleer of de zekering is doorgebrand.

### II. Slechte koelprestaties

1. Controleer of het deksel goed gesloten is.
2. Controleer of de deurafdichting beschadigd of vervormd is.
3. Controleer of de ventilatie rond de koelkasten slecht is.
4. Controleer of de temperatuur correct is ingesteld.

### Definitie van foutcodes op het display

Foutcode	Fouttype
E1	Lage ingangsspanning
E2	Ventilator defect
E3	Compressor start mislukt
E4	Lage rotatiesnelheid van de compressor
E5	Temperatuur van de controllermodule te hoog
E6	Open of kortsluiting van NTC

### III. Abnormaal geluid

1. De koelkast in de auto moet op een vlakke ondergrond geplaatst worden.
2. Raak een muur of ander voorwerp aan.
3. Er zitten losse onderdelen in of er vallen onderdelen af.

### IV. Condensatie op het oppervlak van de koelkast

Wanneer de luchtvochtigheid in de omgeving hoger is dan 75%, zal er lichte condensatie optreden op het oppervlak van de doos, wat normaal is.

## Fouten en oplossingen

### ÿE1: Lage ingangsspanning

Fout 1: Steek het netsnoer van de koelkast in de sigarettenaansteker voordat de auto start. start. Oplossing 1: Wacht even met het aansluiten van de auto nadat deze is gestart.

Fout 2: De ingangsspanning van de adapter is te laag.

Oplossing 2: Pas het batterijbeschermingsniveau aan naar middenspanning of laagspanning. Als het werkt niet, vervang dan de adapter door een nieuwe.

### ÿE2: Ventilatorstoring

Vervang de ventilator door een nieuwe als u constateert dat er een defect is.

### ÿE3: Ingangsspanningsfout vanwege compressor die vaak start

Wanneer de koelkast in de auto wordt gebruikt en E3 verschijnt, schakelt u deze dan 5 minuten uit. minuten en start het opnieuw op.

Als het niet werkt, kan dat worden geïdentificeerd als een EI-fout; los het op volgens de oplossing van EI.

Wanneer de koelkast verbinding maakt met de adapter en E3 verschijnt

ÿ Stel het batterijbeschermingsniveau in op gemiddeld of laag. ÿ Als dit niet werkt, vervang dan de adapter door een nieuwe.

### ÿE4: Lage rotatiesnelheid van compressor

Pas de ingangsspanning aan en schakel het apparaat opnieuw in.

### ÿE5: Oververhitting van controllerchip

Schakel het apparaat 5 minuten uit en controleer of de ventilatie rond het apparaat slecht is.

compressor veroorzaakt de oververhitting.

## Gebruik suggesties

1. Als u bent uitgerust met een reservebatterij, kunt u elke door u ingestelde temperatuur handhaven onder alle omstandigheden zonder zorgen.
2. Wanneer u ijs plaatst, stel dan de temperatuur zo laag mogelijk in; deze moet langdurig ingeschakeld.
3. Voorkom de gezondheidsproblemen die ontstaan door het drinken van flessenwater door een hoge temperaturen.
4. Diepvriesproducten, zeldzame zeevruchten en in voertuigen gemonteerde koelkasten laten bevroren verse producten eten vergezelt de reis.
5. Gezondheidsproducten, insuline en geïmporteerde medicijnen moeten gekoeld worden bewaard, en de nauwkeurige temperatuurregeling van de koelkasten aan boord zal de gezondheid begeleiden de weg.
6. De theebladeren blijven effectief vers in de koelkast van de auto, en u kunt Drink op elk gewenst moment tijdens de zelfrijdende tour heerlijke, verse thee.
7. De beste bewaar temperatuur voor rode wijn is 10 ° - 18 ° (50 - 64,4 °). nauwkeurige temperatuurregeling van de autokoelkast kan effectief zorgen voor de bewaar temperatuur van rode wijn.
8. De bewaartijd van hoogwaardig fruit in de auto bij hoge zomertemperaturen zal minstens 2 uur zijn. De opslagtijd is korter, zelfs als de airconditioner is ingeschakeld aan. Met een autokoelkast kunt u fruit van hoge kwaliteit effectief bewaren.
9. De coating van hoogwaardige zonnebrillen zal eraf vallen onder de hoge temperaturen in zomer. De koelkast in de auto is een ideale plek om hem neer te zetten.
10. Hoogwaardige cosmetica verslechtert snel bij hoge temperaturen in de auto. Neem cosmetica mee in de auto; de autokoelkast is een betere keuze.

## Veiligheidsmaatregelen

(1) Zorg ervoor dat de voedingsspanning die is aangesloten op de koelkast aan boord correct is

op elk moment (De parameters zijn gelabeld met de goedgekeurde spanningsparameters van de koelkast aan boord).

(2) Giet geen vloeistof rechtstreeks in de koelkast van de auto.

(3) Het is verboden om zonder toestemming wijzigingen aan te brengen aan de koelkast, om gevaar te voorkomen.

(4) Dit apparaat is niet bedoeld voor gebruik door personen (inclusief kinderen) met verminderde fysieke, sensorische of mentale vermogens of gebrek aan ervaring en kennis, tenzij zij toezicht of instructie hebben gekregen met betrekking tot de gebruik van het apparaat door een persoon die verantwoordelijk is voor hun veiligheid.

(5) Kinderen moeten onder toezicht staan om te voorkomen dat ze met het apparaat spelen.

(6) Dit apparaat kan worden gebruikt door kinderen van 8 jaar en ouder en personen met verminderde fysieke, sensorische of mentale vermogens of een gebrek aan ervaring en kennis als zij toezicht of instructie hebben gekregen over het veilig gebruiken van het apparaat en het begrijpen van de gevaren betrokken. Kinderen mogen niet met het apparaat spelen. Reiniging en gebruik Onderhoud mag niet door kinderen zonder toezicht worden uitgevoerd.

(7) Om gevaar als gevolg van de instabiliteit van het apparaat te voorkomen, moet het onder een veilige stand worden bevestigd de instructies.

(8) Bewaar geen explosieve stoffen zoals spuitbussen met een ontvlambare lading. drijfgas in dit apparaat.

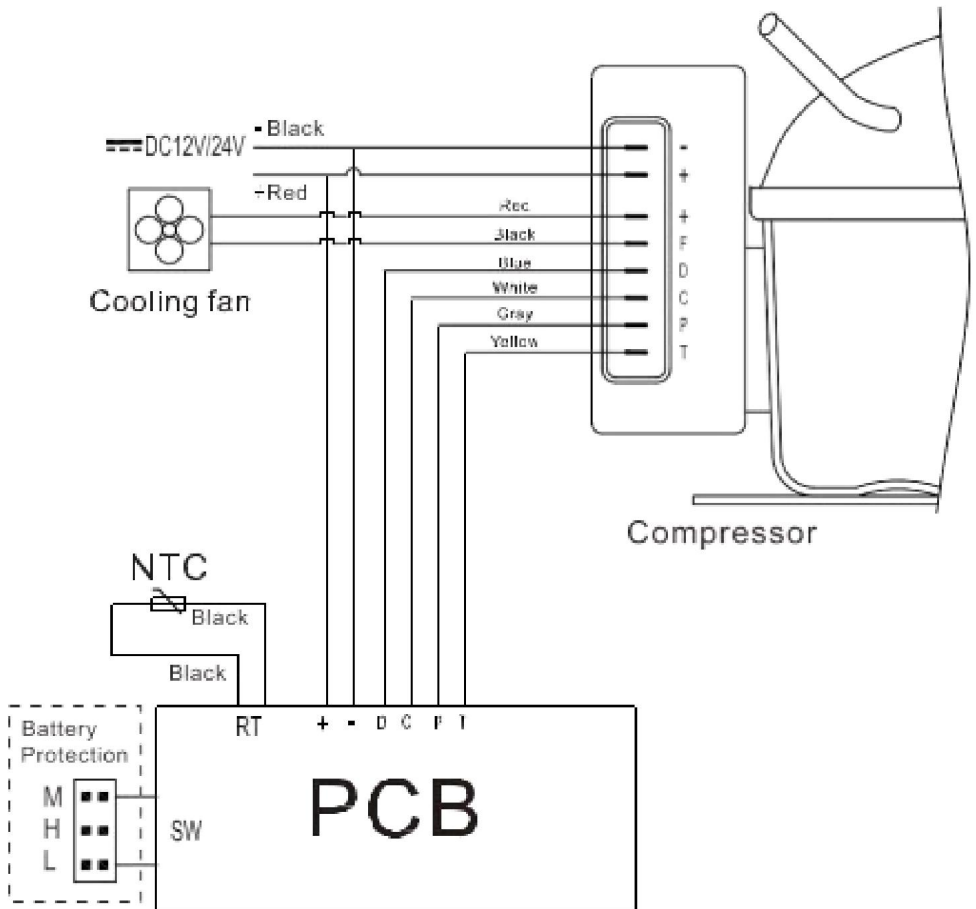
**WAARSCHUWING:** Dit apparaat bevat het brandbare schuimmiddel cyclopentaan:

- 1) Vermijd contact met vuur wanneer u het apparaat vervoert en gebruikt.
- 2) Vraag een professional om onderhoud als het apparaat kapot is.
- 3) Lever het in bij het plaatselijke afvalverwerkingsstation als u het weggooit.



**WAARSCHUWING:** Tijdens het gebruik, onderhoud en de verwijdering van het apparaat, moet u: let op een symbool dat lijkt op de linkerkant, dat zich aan de achterkant van de apparaat (achterpaneel of compressor) en met gele of oranje kleur. Het is een risico op brandwaarschuwingssymbool. Er zitten brandbare materialen in koelmiddelleidingen en compressoren. Blijf uit de buurt van vuurbronnen tijdens gebruik, service en verwijdering.

## Elektrisch schema





**VEVOR<sup>®</sup>**

**TOUGH TOOLS, HALF PRICE**

**Technische ondersteuning en e-  
garantiecertificaat <https://www.vevor.com/support>**



# **VEVOR<sup>®</sup>**

## **TOUGH TOOLS, HALF PRICE**

Teknisk support och e-garanticertifikat [www.vevor.com/support](http://www.vevor.com/support)

### **BIL KYLSKÅP**

### **ANVÄNDARMANUAL**

**MODELL: T35K T45K T55K**

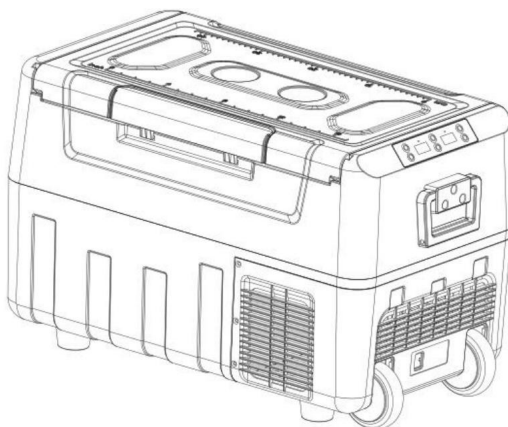
Vi fortsätter att vara engagerade i att ge dig verktyg till konkurrenskraftiga priser.

"Spara halva", "halva priset" eller andra liknande uttryck som används av oss representerar bara en uppskattning av besparingar du kan dra nytta av att köpa vissa verktyg hos oss jämfört med de stora toppmärkena och doser behöver inte nödvändigtvis täcka alla kategorier av verktyg som erbjuds av oss. Du påminns vänligen om att noggrant kontrollera när du gör en beställning hos oss om du faktiskt sparar hälften i jämförelse med de främsta stora varumärkena.

# VEVOR®

*Bilkylskåp*

T35K T45K T55K



<Endast bild för referens>

**BEHÖVER HJÄLP? KONTAKTA OSS!**

Har du produktfrågor? Behöver du teknisk support? Kontakta oss gärna:

 [CustomerService@vevor.com](mailto:CustomerService@vevor.com)

Detta är den ursprungliga instruktionen, läs alla manualer noggrant innan användning. VEVOR reserverar sig för en tydlig tolkning av vår bruksanvisning. Produktens utseende ska vara beroende av produkt du fått. Förlåt oss att vi inte kommer att informera dig igen om det finns någon teknik eller mjukvaruuppdateringar på vår produkt.



Denna produkt omfattas av bestämmelserna i det europeiska direktivet 2012/19/EU. Symbolen som visar en soptunna på hjul korsad indikerar att produkten kräver separat sophämtning i Europeiska unionen. Detta gäller produkten och alla tillbehör märkt med denna symbol. Produkter märkta som sådana kanske inte är det kasseras med vanligt hushållsavfall, men måste tas till en samlingsplats för återvinning av elektriska och elektroniska apparater.

## Uppmärksamhet

Innan du använder kylskåpet, vänligen läs denna bruksanvisning noggrant och förvara den ordentligt.

1. Innan du använder kylskåpet, rengör det inuti och utvändigt med en fuktig trasa.
2. Fyll inte kylskåpet med frätande vätskor. Håll inte vätska direkt i kylskåpet.
3. När kylskåpet inte används under en längre tid, vänligen koppla bort strömmen leverera och håll det torrt.
4. Rengör den inre kammaren regelbundet för att förhindra lukt och bakterier och säkerställ livsmedelssäkerhet.
5. Denna handbok gäller för T35K/T45K/T55K kylskåp (amerikanska och europeiska marknader).

## Anslut strömförsörjningen

1. Hitta likströmskabeln i satsen. Anslut DC-kontakten till strömuttaget på

bilkylskåp.

2. Väl placera kylskåpen i bilen (back-up, säten...).

3. Lägg ut nätsladdar efter bilens inre utrymme. Sätt sedan in cigaretten tändkontakten (ena sidan av nätsladden) i bilens cigarettändarhål.

4. Tryck på "ON/OFF" i 3 sekunder, så kan bilkylskåpet sättas på.



Adapter

Anslut bilens cigarettändare

Anslut bilkylskåpet

Produkten kan anslutas till mer än en strömkälla.

Kylskåpet ombord är direkt anslutet till DC12V/24V DC-ström förse.

Bilkylskåpet utrustad med AC100-240V AC-adaptör kan användas på hem med en spänning på AC100-240V.

## Instruktioner

### Referens för spänningsskydd för bilbatteri:

Inbyggd ECO elektronisk kontrollmodul kan automatiskt övervaka fordonet batterispänning. Innan strömförbrukningen påverkar standardtändningen av fordonet kommer kylskåpet ombord automatiskt att koppla från strömförsörjningen till se till att fordonets batterieffekt inte blir för låg för att påverka standarden tändning av fordonet.

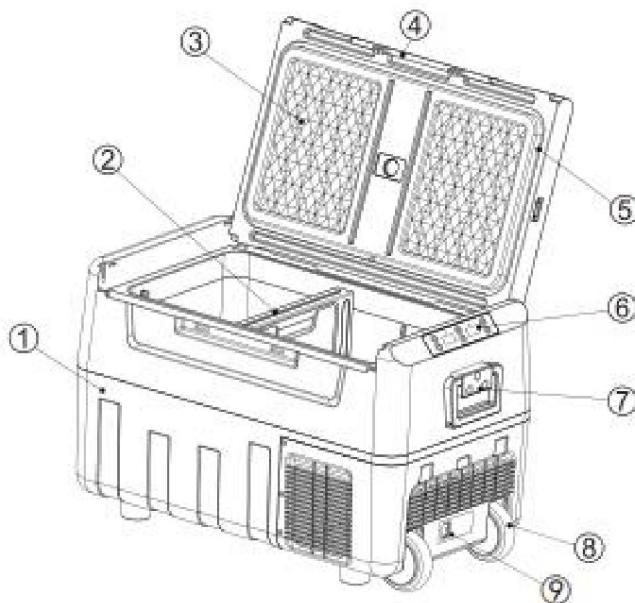
Batterispänning	Fabriksinställt spänningsskyddsvärde H		
	H (hög) nivå	M (medium) nivå	L (låg) nivå
DC12V	DC11,3V AV	DC10.1V AV	DC9,6V AV
	DC12,5V PÅ	DC11,4V PÅ	DC10,9V PÅ

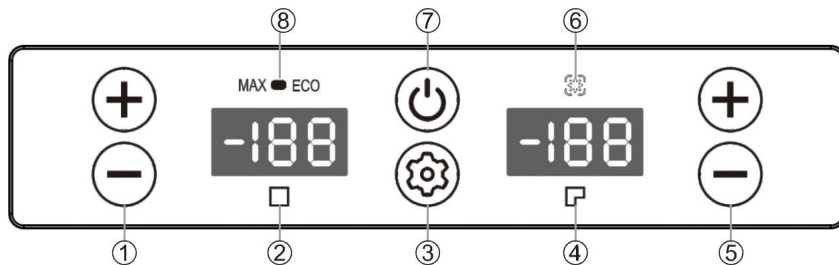
<b>DC24V</b>	DC24,6V AV	DC22,3V AV	DC21,3V AV
	DC26.0V PÅ	DC23,7V PÅ	DC22,7V PÅ

**Obs:** När strömförsörjningen är ansluten och kylskåpet är påslaget, hänvisar fränkoppling eller start till att koppla från eller starta kompressorn.

## Komponentdiagram

1. Skåp
2. Klassificerad skylt
3. Fallskydd
4. Dörrspänne
5. Tätningsremsa
6. Kontrollpanel
7. Handtag (tillval)
8. Hjul (tillval)
9. Strömgränssnitt





ÿInställning för stort fack ÿstort fack ÿInställningsknapp  
ÿLite fack ÿInställning för litet fack ÿKylning  
indikator ÿON/OFF-knapp ÿ Max/Eco

## ÿ Funktionsintroduktion

Efter påslagning kommer den digitala displayen att vara helt upplyst i 1 sekund och visas normalt. Standard är den sista minnesfunktionen. Skärmen temperatursiffran lyser permanent i mitten i standby-läge.

### 1. Öppna och stäng

Efter att strömmen slagits på kommer kylskåpet att vara i standbyläge.

Tryck nu på ON/OFF-knappen för att öppna kylskåpet. Efter kylskåpet är öppnas visar displayen den aktuella temperaturen i förrådet. Det kommer börja springa.

Varning: Den visade temperaturen är endast temperaturen runt sensorn.

Temperaturen på olika punkter i förrådet är olika.

Därför är detta normalt om den visade temperaturen skiljer sig från den uppmätta temperatur.

Tryck på ON/OFF-knappen när kylskåpet är igång, så kommer kylskåpet att göra det återgå till standby.


### 2. Temperaturinställning

1) Slå på kylan, tryck  $\oplus$  för att höja den inställda temperaturen och  $\ominus$  att minska

förvaringsfackets temperatur. Varje tryckning ändras med 1 ÿ och maximalt kan ställas in på 10 ÿ, och minimum kan ställas in på -20 ÿ. Observera att klappbrädan ska placeras i rätt läge före den inställda temperaturen i det stora facket.

- 2) Om klaffbrådan tas bort från facket visas temperaturdisplayen för den lilla facket kommer att vara avstängt. I detta tillstånd finns det bara ett förvaringsfack.
- 3) Temperaturdisplayen blinkar i 3 sekunder och fixar sedan inställningen efter justering temperaturen och ingen mer åtgärd på knappar. Den inställda temperaturen kommer att sparas, och displayen kommer att vända tillbaka för att visa den faktiska temperaturen i förvaringsfacket.
- 4) Standardvärdet för en första uppstart är 0 °/32 °.

### 3. MAX / ECO-lägeskonvertering

Tryck direkt  för att växla till MAX-läge eller ECO-läge.


MAX driftläge: kylen kommer att arbeta hårt för att snabbt sänka temperaturen.

ECO-körmodell: kylen kommer att arbeta längre för att sänka temperaturen för att spara energi.

### 4. Celsius (° C)/Fahrenheit (° F) displayväxling

Tryck och håll ned "+"-tangenten och inställningstangenten till vänster (stor ruta) i över 3 sekunder för att växla.

### 5. Batteriskyddsnivåer: H1 (Hög) N2 (Låg) L3 (Medium)

Trycka  knapp i 3 sekunder för att gå in i batteriskyddsinställningen. Tryck på knappen igen för att växla H1 N2 L3 nivåer i varv.

Om inga operationer detekterades kommer den inställda nivån att blinka i 3 s, avsluta sedan och spara nuvarande inställning.

### Modellparametertabell:

Modell Inga.	Lager stad	Spänning	AC Driva	DC Driva	Humör ature Justera kunna	Plugg typ
T35K 35L		AC100~24 0V (50/60Hz) DC12V/24V	Kyl : 60W	Coolin g 60W	50~ 4y	rådjur plugg DC plugg

T35K 35L		AC100~240V (50/60Hz)D C 12V/24V	Kyl : 60W	Coolin g 60W	10-- 20 ÿ	EU plugg DC plugg
T45K 45L		AC 100~240V (50/60Hz)D C 12V/24V	Kyl : 60W	Coolin g: 60W	50-- 4ÿ	rådjur plugg DC plugg
T45K 45L		AC 100~240V (50/60Hz)D C 12V/24V	Kyl : 60W	Coolin g: 60W	10-- 20 ÿ	EU plugg DC plugg
T55K 55L		AC 100~240V (50/60Hz)D C 12V/24V	Kyl : 60W	Coolin g: 60W	50-- 4ÿ	rådjur plugg DC plugg
T55K 55L		AC 100~240V (50/60Hz)D C 12V/24V	Kyl : 60W	Coolin g: 60W	10-- 20 ÿ	EU plugg DC plugg

### Meddelande om temperaturinställning

Sätt in takbrådan i rätt läge i förvaringsfacket och slå sedan på kylen. Displayen visar temperaturen i två förvaringsfack. Vid justering av temperaturen kan inställning av temperaturen för det lilla facket (TS) inte vara högre än inställningen av temperaturen i det stora facket (TL).

TS ÿTL

Till exempel, om den inställda temperaturen för det lilla facket (TS) till -10 ÿ (14 ÿ), är området för inställningstemperaturen för det stora facket (TL) från -10 ÿ (14 ÿ) till 10 ÿ (50 ÿ). Tips: använd ett stort fack för färsk mat och ett litet fack för fryst mat.



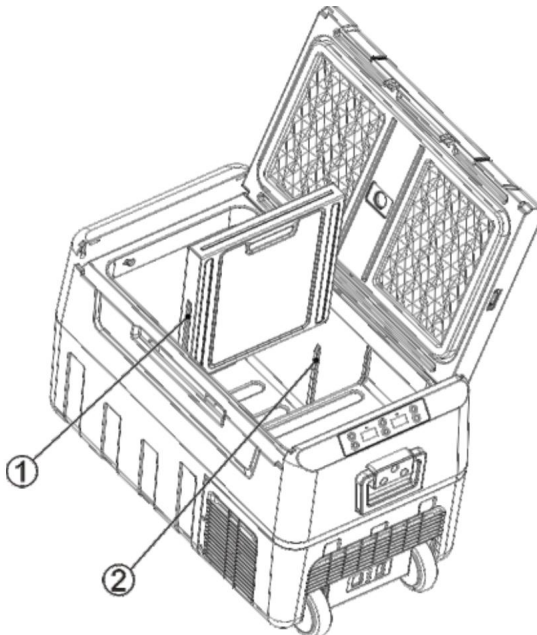
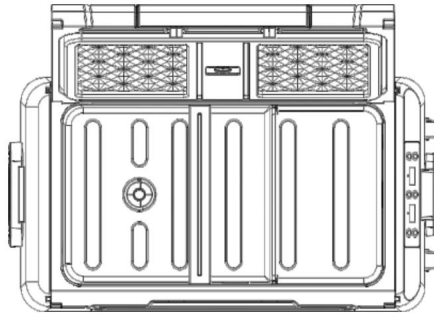
### Minnesfunktion för avstängning

Det finns en strömvästängd minnesfunktion för billyskåp. När strömmen försvinner, arbetstillståndet (på/av-status, arbetsläge, etc.) innan strömvästängning kan ske återställs automatiskt vid nästa start; du behöver inte ställa in den igen.

ECO: Energibesparande kylningMAX: Kraftfull kylning

### Använd Clapboard

1. Rikta in med två skenor på innerfodret.
2. Skjut klaffen vertikalt till botten av fodret.



## Enkel felanalys

**Råd:** Om onormala situationer inte kan lösas genom en enkel felanalys, vänligen kontakta professionell kundtjänst för hjälp.

### I. Bilkylskåp fungerar inte

1. Kontrollera om strömmen är korrekt ansluten. (kontrollera Om kontakten är lossad eller positiva och negativa poler är omvända).
2. Kontrollera om strömbrytaren på manöverpanelen är påslagen.
3. Kontrollera om kylventilationen är normal.
4. Kontrollera om säkringen har gått.

### II. Dålig kylprestanda

1. Kontrollera att locket är ordentligt stängt.
2. Kontrollera om dörrtätningen är skadad eller deformerad.
3. Kontrollera om det är dålig ventilation runt kylan.
4. Kontrollera om temperaturen är korrekt inställd.

### Definition av felkoder på skärmen

Felkod	Typ av fel
E1	Låg inspänning
E2	Fläktfel
E3	Kompressorstart misslyckades
E4	Lågt varvtal för kompressorn
E5	Styrmodulens temperatur är för hög
E6	Öppen eller kortslutning av NTC

### III. Onormalt ljud

1. Bilkylskåpet måste placeras smidigt.
2. Rör vid en vägg eller annat föremål.
3. Det finns delar som är lösa eller faller av inuti.

### IV. Kondens på kylskåpets yta

När den omgivande luftfuktigheten överstiger 75 % uppstår lätt kondens på lådans yta, vilket är normalt.

## Misslyckanden och lösningar

### ÿE1: Låg inspänning

Fel 1: Sätt i kylskåpets strömkabel i cigarettändaren innan bilen startar. Lösning 1: Vänta ett tag med att ansluta bilen efter att den har startat.

Fel 2: Ingångsspänningen på adaptern är för låg.

Lösning 2: Justera batteriskyddsnivån till mellanspänning eller lågspänning. Om det fungerar inte, byt ut en ny adapter.

### ÿE2: Fläktfel

Byt ut en ny fläkt när du identifierar att det finns ett fläktfel.

### ÿE3: Inspänningsfel på grund av att kompressorn startas ofta

När kylskåpet används i bilen och E3 visas, stäng av det i 5 minuter och starta om den.

Om det inte fungerar kan det identifieras som E1 fel; snälla lös det enligt lösningen av E1.

När kylskåpet ansluts till adaptern och E3 visas

ÿ Justera batteriskyddsnivån till mitten eller låg nivå. ÿ Om det inte fungerar, byt ut en ny adapter.

### ÿE4: Kompressorns låga varvtal

Vänligen justera ingångsspänningen och slå på den igen.

### ÿE5: Överhettning av kontrollchip

Stäng av i 5 minuter och kontrollera om den usla ventilationen runt enheten

kompressorn orsakar överhettning.

## Använd förslag

1. Om du är utrustad med ett reservbatteri kan du behålla vilken temperatur du ställer in under alla omständigheter utan bekymmer.
2. När du placerar glass, vänligen justera temperaturen till den lägsta; det måste vara påslagen under lång tid.
3. Förhindra hälsoproblem att dricka vatten på flaska orsakade av hög temperaturer.
4. Frysta livsmedel, sällsynta skaldjur och fordonsmonterade kylskåp låter frysa färsk mat följer med resan.
5. Sjukvårdsprodukter, insulin och importerade läkemedel måste kylas, och den exakta temperaturkontrollen av kylskåp ombord kommer att följa med hälsan vägen.
6. Tebladen hålls effektivt fräscha i bilkylskåpet, och det kan du drick färskt och utsökt te när som helst under självkörningsturen.
7. Den bästa lagringstemperaturen för rött vin är 10 °C - 18 °C (50 - 64,4 °F). De exakt temperaturkontroll av bilkylskåpet kan effektivt säkerställa lagringstemperatur för rött vin.
8. Lagringstiden av högkvalitativ frukt i bilen vid höga sommartemperaturer kommer vara minst 2 timmar. Lagringstiden är kortare även om luftkonditioneringen vrids på. Att använda ett bilkylskåp kan effektivt bevara frukt av hög kvalitet.
9. Beläggningen av solglasögon av hög kvalitet kommer att falla av under den höga temperaturen i sommar. Bilkylskåpet är en idealisk plats att placera den på.
10. Högkvalitativ kosmetika försämras snabbt vid höga temperaturer i bilen. Bär kosmetika med bilen; bilkylskåpet kommer att vara ditt bättre val.

## Säkerhetsföreskrifter

(1) Se till att strömspänningen som är ansluten till det inbyggda kylskåpet är korrekt

när som helst (Pametrarna är märkta med de godkända spänningsparametrarna för kylskåpet ombord).

(2) Håll inte vätska direkt i kylskåpet.

(3) Att modifiera kylskåpet utan tillstånd är förbjudet för att undvika fara.

(4) Denna apparat är inte avsedd att användas av personer (inklusive barn) med nedsatt fysisk, sensorisk eller mental förmåga eller brist på erfarenhet och kunskap om de inte har fått handledning eller instruktioner om användning av apparaten av en person som är ansvarig för deras säkerhet.

(5) Barn bör övervakas för att undvika att leka med apparaten.

(6) Denna apparat kan användas av barn från 8 år och uppåt och personer med nedsatt fysisk, sensorisk eller mental förmåga eller brist på erfarenhet och kunskap om de har fått handledning eller instruktion angående användning av apparaten på ett säkert sätt och förstå farorna inblandade. Barn får inte leka med apparaten. Rengöring och användare underhåll får inte utföras av barn utan tillsyn.

(7) För att undvika en fara på grund av apparatens instabilitet måste den fästas under instruktionerna.

(8) Förvara inte explosiva ämnen såsom aerosolburkar med en brandfarlig drivmedel i denna apparat.

**WARNING:** Denna apparat innehåller brandfarligt skummedel cyklopentan:

1) Undvik kontaktbrand när du transporterar och använder den.

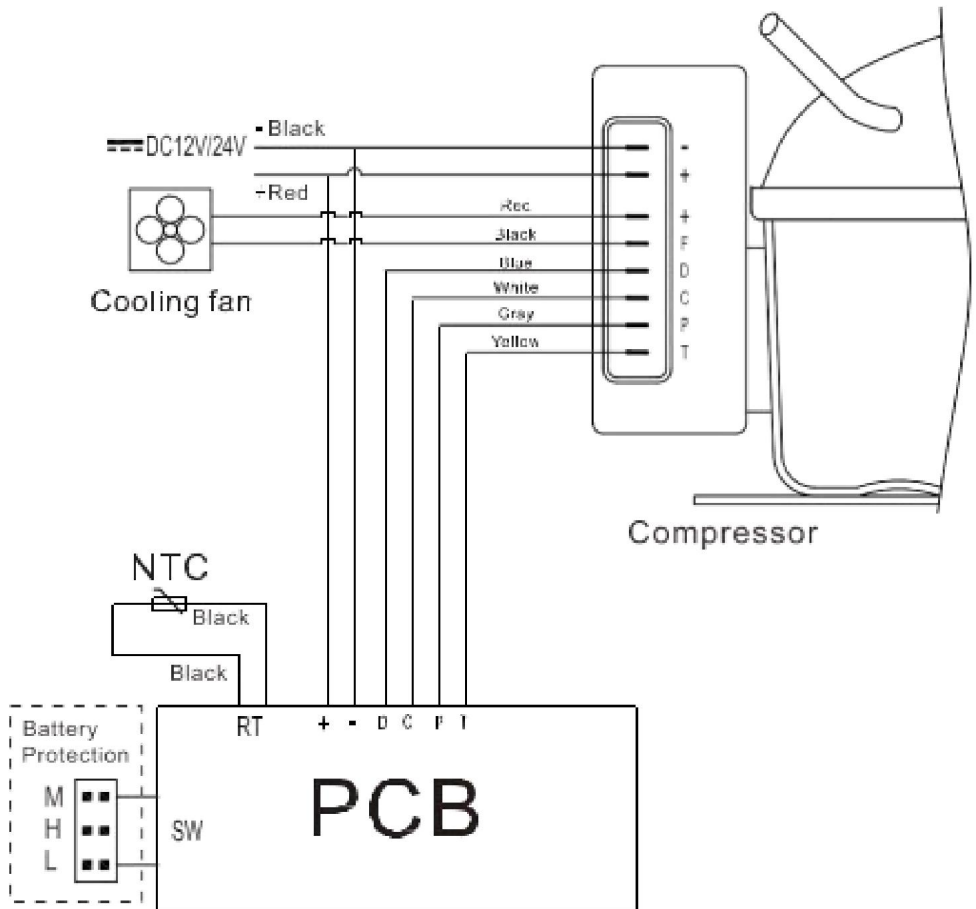
2) Vänligen be en fackman om service när maskinen går sönder.

3) Vänligen skicka den till din lokala återvinningsstation när du kasserar den.



**WARNING:** Var snäll under användning, service och kassering av apparaten uppmärksamma en symbol som liknar den vänstra sidan, som är placerad på baksidan av apparat (bakpanel eller kompressor) och med gul eller orange färg. Det är en risk för brandvarningssymbol. Det finns brandfarliga material i köldmedierör och kompressorer. Vänligen var långt borta från brandkällan under användning, service och kassering.

## Elektriskt schematiskt diagram





**VEVOR<sup>®</sup>**

**TOUGH TOOLS, HALF PRICE**

**Teknisk support och e-garanticertifikat [https://  
www.vevor.com/support](https://www.vevor.com/support)**