

# VEVOR

**Affordable. Reliable. Home Improvement.**

**Stand Mixer**

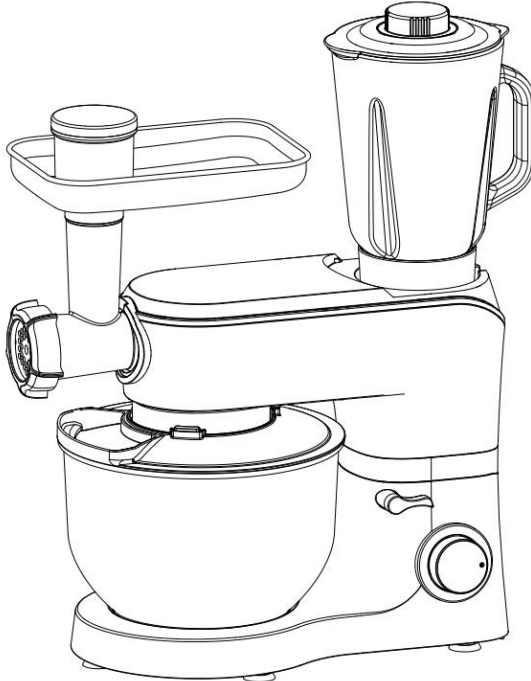
**Model: SM-1503BM**

# VEVOR


Affordable. Reliable. Home Improvement.

## Stand Mixer

**Model:SM-1503BM**



This is the original instruction, please read all manual instructions carefully before operating. VEVOR reserves a clear interpretation of our user manual. The appearance of the product shall be subject to the product you received. Please forgive us that we won't inform you again if there are any technology or software updates on our product.

|   |  |
|---|--|
|  | <p>Warning-To reduce the risk of injury, user must read instructions manual carefully.</p>   |
|   | <p>Warning- For Indoor Use Only</p>  |
|   | <p><b>CORRECT DISPOSAL</b></p> <p>This product is subject to the provision of European Directive 2012/ 19/EC. The symbol showing a wheeled bin crossed through indicates that the product requires separate refuse collection in the European Union. This applies to the product and all accessories marked with this symbol. Products marked as such may not be discarded with normal domestic waste, but must be taken to a collection point for recycling electrical and electronic devices</p> |

## **General Safety Instructions**

**Read the operating instructions carefully before putting the appliance into operation and keep the instructions including the warranty, the receipt and, if possible, the box with the internal packing. If you give this device to other people, please also pass on the operating instructions.**

- The appliance is designed exclusively for private use and for the envisaged purpose. This appliance is not fit for commercial use. Do not use it outdoors (except if it is designed to be used outdoors). Keep it away from sources of heat, direct sunlight, humidity (never dip it into any liquid) and sharp edges. Do not use the appliance with wet hands. If the appliance is humid or wet, unplug it immediately.
- When cleaning or putting it away, switch off the appliance and always pull out the plug from the socket (pull on the plug, not the cable) if the appliance is not being used and remove the attached accessories.
- Do not operate the machine without supervision. If you should leave the workplace, always switch the machine off or remove the plug from the socket (pull the plug itself, not the lead).
- Check the appliance and the cable for damage on a regular basis. Do not use the appliance if it is damaged. Do not try to repair the appliance on your own. Always contact an authorized technician. If the supply cord is

damaged, it must be replaced by the manufacturer, its service agent or similarly qualified persons in order to avoid a hazard.

- Use only original spare parts.
- Pay careful attention to the following “Special Safety Instructions”.

### **Children and Frail Individuals**

• In order to ensure your children’s safety, please keep all packaging (plastic bags, boxes, polystyrene etc.) out of their reach.

Caution! Do not allow small children to play with the foil as there is a danger of suffocation!

- When using accessory blender and chopper, the appliance shall not be used by children. Keep the appliance and its cord out of reach of children.
- This device is not a toy. Children shall not play with the appliance.
- Appliances can be used by persons with reduced physical, sensory or mental capabilities or lack of experience and knowledge if they have been given supervision or instruction concerning use of the appliance in a safe way and if they understand the hazards involved.

### **Special safety Instructions for this Machine**

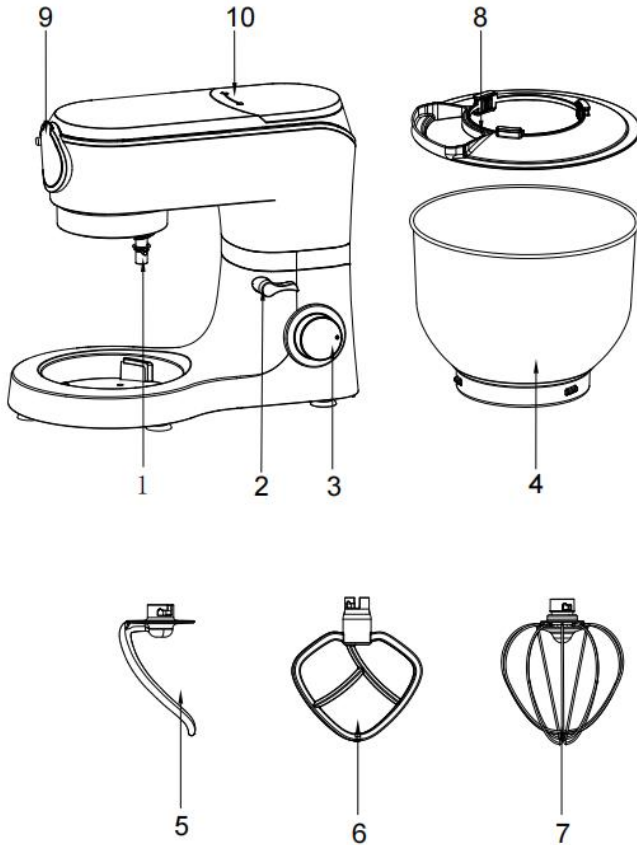
- Always disconnect the appliance from the supply if it is left unattended and before assembling, disassembling or cleaning.
- Switch off the appliance and disconnect from supply before changing accessories or approaching parts that move in use. Do not use appliance for other than intended purpose.
- CAUTION: In order to avoid a hazard due to inadvertent resetting of the thermal cut-out, this appliance must not be supplied through an external switching device, such as a timer, or connected to a circuit that is regularly switched on and off by the utility.
- Only operate this machine under supervision.
- Do not interfere with any safety switches.
- Do not insert anything into the rotating hooks while the machine is working.
- Place the machine on a smooth, flat and stable working surface.
- Do not insert the mains plug of the machine into the power socket without having installed all the necessary accessories.
- -This appliance is not intended for use by persons (including children) with reduced physical, sensory or mental capabilities, or lack of experience and knowledge, unless they have been given supervision or instruction concerning use of the appliance by a person responsible for their safety
- -Children should be supervised to ensure that they do not play with the appliance

- -This appliance can be used by children aged from 8 years and above and persons with reduced physical, sensory or mental capabilities or lack of experience and knowledge if they have been given supervision or instruction concerning use of the appliance in a safe way and understand the hazards involved
  - -If the supply cord is damaged, it must be replaced by the manufacturer, its service agent or similarly qualified persons in order to avoid a hazard
  - - This appliance is intended to be used in household and similar applications such as: – staff kitchen areas in shops, offices and other working environments; – farm houses; – by clients in hotels, motels and other residential type environments; – bed and breakfast type environments.
  - -This appliance shall not be used by children. Keep the appliance and its cord out of reach of children
  - -- This appliance can be used by children aged from 8 years and above if they have been given supervision or instruction concerning use of the appliance in a safe way and if they understand the hazards involved. Cleaning and user maintenance shall not be made by children unless they are aged from 8 years and above and supervised. Keep the appliance and its cord out of reach of children aged less than 8 years
  - - Always disconnect the appliance from the supply if it is left unattended and before assembling, disassembling or cleaning
  - For model SM-1505BM The power consumption was 0.4 W in the off mode.
  - The period after which the equipment reaches automatically off mode was less than 1 min.
- **CAUTION:** Ensure that the blender is switched off before removing it from the stand.

## Specification

|                          |            |
|--------------------------|------------|
| <b>Model</b>             | SM-1503BM  |
| <b>Rated voltage</b>     | AC220-240V |
| <b>frequency</b>         | 50-60Hz    |
| <b>Power consumption</b> | 1500W      |

## Name of different parts



### Main parts and standard parts:

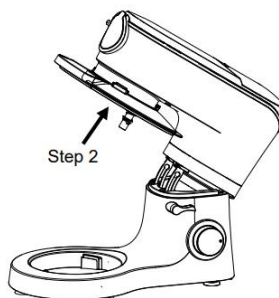
|   |              |    |             |
|---|--------------|----|-------------|
| 1 | Output shaft | 6  | Beater      |
| 2 | Rise button  | 7  | Whisk       |
| 3 | Speed button | 8  | Bowl cover  |
| 4 | Bowl         | 9  | Front cover |
| 5 | Dough hook   | 10 | Rear cover  |

## How to use the machine

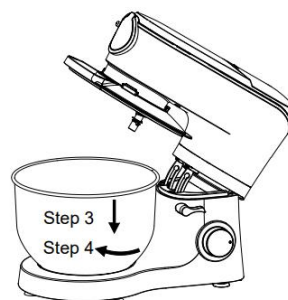
1. Before use, wash the accessories by clean water, rinse and dry.
2. Place the machine on a flat, clean and dry table, Press the head of the machine, turn again the head-up knob (2) Step1, the upper body will lift up automatically. (PG 1 & 2).
3. Install the pot cover into the stirring end Step2. of the machine as per PG2
4. Weigh the food and water to be processed into the mixing bowl, then assemble the mixing bowl (4) on the machine step 3, rotate clockwise until the buckle is screwed in and locked step 4; (PG3)
5. Do not exceed the amount of dough - the total weight can hold up to 1.5kg;
6. Install the required accessories (5), (6) and (7) (only one of the three can be used at a time) onto the head mixing output shaft (1) step 5, push the accessories to the top, and then turn a quarter turn counterclockwise to the locking position step 6; (PG4&5)
7. Press the head of the machine, the machine will automatically lock the head button (2) step 7, which is in the horizontal position; (PG6)。
8. then plug in the plug and turn on the power switch.
9. Control speed knob (3) to the required speed - start mixing;
10. After the dough meets the requirements, turn the speed knob (3) back to gear 0 to finish.
11. Press the head of the machine by hand, rotate the lifting knob (2) clockwise, lift the upper body, rotate the mixing bowl counterclockwise, remove the mixing bowl and take out the dough.
12. Switch off the appliance and disconnect from supply before changing a ccessories or approaching parts that move in use.



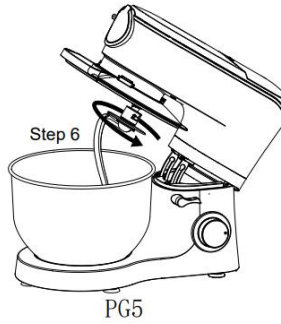
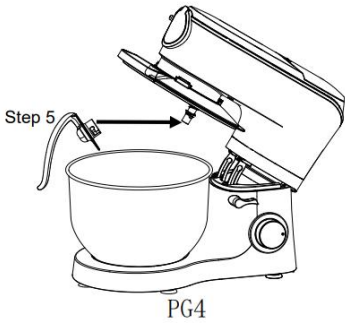
PG1



PG2

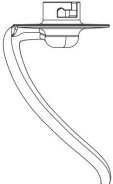




PG3



## Suggestion

Adjusting the Levels and Using the Hook for not more than 1.5kg of Mixture

| Accessories | Picture   | Speed | Time (min) | Maximum                 | Operation method   |
|-------------|---|-------|------------|-------------------------|--|
| Dough hook  |   | 1-3   | 3-5        | 1000g flour+538 g water | 1 speed run for 30s, the 2 speed run for 30s, and then the 3 speed run for 2 min to 4 min to form a cluster. |
| Beater      |  | 2-4   | 3-10       | 660g flour+840 g water  | 2 speed run for 20s, the 4 speed run for more than 2min40s   |
| Whisk       |  | 5-6   | 3-10       | 3 egg whites (min)      | Open 5 or 6 speed to run 3min above.   |

## Blender Uses and Tips:

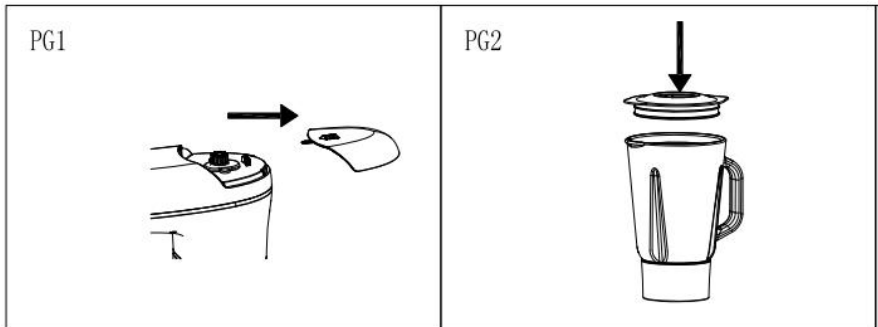
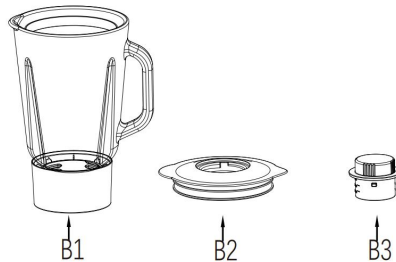
Blender can mix food. Using this kitchen appliance to make Soups, sauces, milkshakes, baby food, vegetables, beverages, desserts, puree, etc. Solid foods should be cut into small pieces.

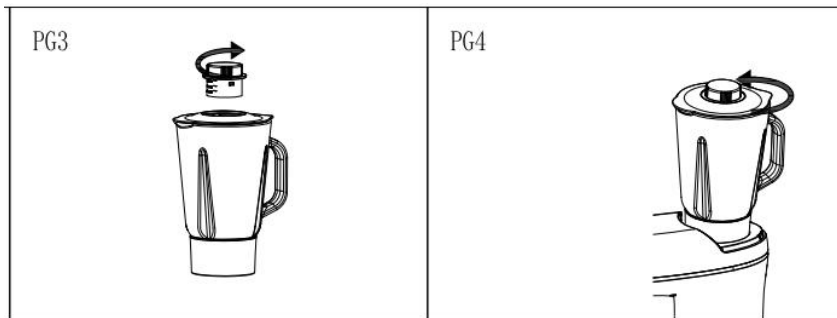
### Caution:

- 1) Before using the blender, do not plug it. Please make sure the blender has been correctly installed on and the lid is securely on before operating.
- 2) Unplug when it's done, and remove the blender cups from the device.
- 3) Please don't add food above 80°C to the cup.
- 4) Optimum liquid is no more than 1.5L.
- 5) Secure the lid on the cup.
- 6) Don't remove the blend cup or lid during the operation.
- 7) Run the blender no more than 3 minutes.

### How to assembly the blender cup:

- 1) Remove the small lid (follow by PG1.A) or rotate the ring buckle (follow by PG1.B). PG1
- 2) Put lid B2 on the blender cup B1 (follow by PG2).
- 3) Put B3 in B2, and screw on (follow by PG3).
- 4) When all are done, clockwise and screw the jar on the base (follow by PG4).





|                 |         |                   |
|-----------------|---------|-------------------|
| B1: Blender cup | B2: lid | B3: Lock cylinder |
|-----------------|---------|-------------------|

**Attention:**

Add ingredients by removing the lock cylinder during operation. Please pay close attention during operating. Once it's done, unplug it. And wash the jar after use.

**Disassembly procedures after use:**

- 1)Anti-clockwise to 0 level, and unplug.
- 2)Unscrew the jar and place it on table.
- 3)Take B2 out by hand.
- 4)Hold the glass handle with one hand, hold the glass body with the other hand, and slowly tilt to pour out the liquid.

**Recommend Tips:**

Remove the seed core and hard skin of the fruit, cut it into a mixture, put it in a cup, and then put water. The optimum amount of food is 600 grams and the water is 900 grams. Do not exceed the maximum scale of the juice cup. Put the lid on and screw the jar on blender. Plug in and set the speed controlling at level 4 ~ 6. Stop it after operating for 3mins, in order to keep the good performance to the machine, the total operation time shall not exceed 15-min.

good performance to the machine, the total operation time shall not exceed 15-min.

## Meat Mincer Function

**How to assemble and use meat mincer:**

- 1)To install the meat grinder accessories, first install the meat grinder blade M6 on the head of the meat grinder screw M4, put on the required meat grinder cutter M7 (coarse hole, medium hole or fine hole), pay

attention to align the groove between the meat grinder sieve M7 and the meat grinder m3, and tighten the locking nut M5 on the meat grinder M3. (PG1)

2)Disassemble the front cover (PG2).

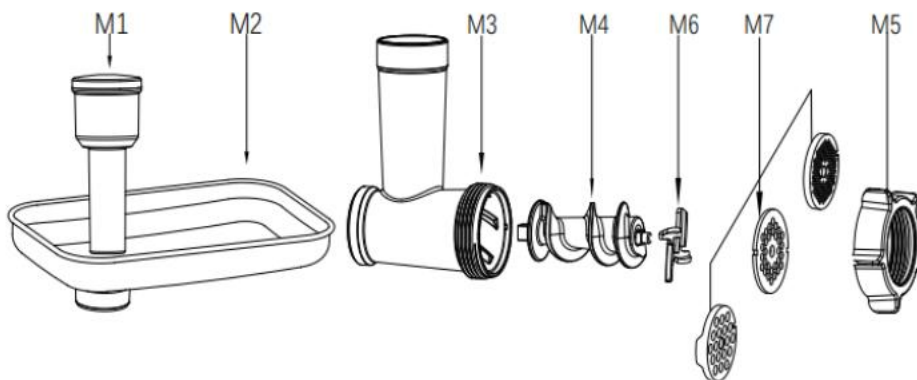
3)Press the eject button at the front of the machine, hold the meat grinder M3, connect it to the transmission part of the front cover, and rotate it counterclockwise to the locking position. (PG3)

4)Align the discharge port of tray M2 with the feed port of meat grinder M3 and install it in place (PG4)

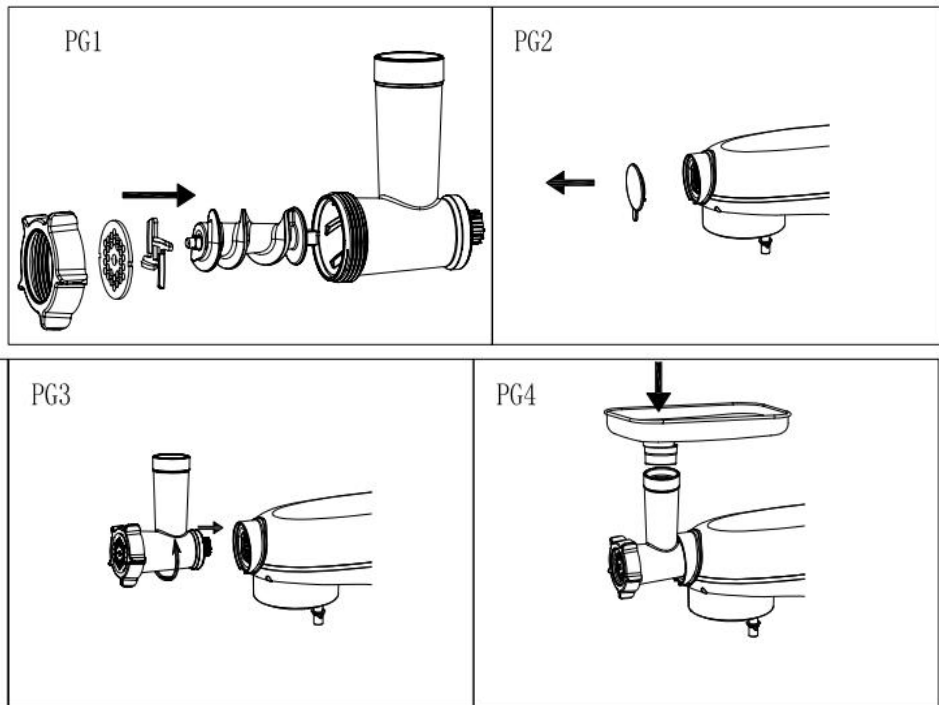
5)Place a container at the outlet of the meat grinder. Clean the pork and cut it into strips. The width should not exceed the feed inlet of the tray M2.

6)Insert the power cord plug into the socket, Then set the speed knob to the desired gear,put the meat on the tray M2 and put it into its feeding port. Please use the pusher M1 to slowly press the meat into the feeding port of the meat grinder. Do not put your fingers into the meat grinder M3.

7)After using, switch to setting 0 and pull off the plug.



|    |               |    |              |
|----|---------------|----|--------------|
| M1 | Pusher        | M5 | Mincing Lock |
| M2 | Tray          | M6 | Blade        |
| M3 | Helix Housing | M7 | Sieve        |
| M4 | Helix         |    |              |



### Recipes suggestions:

Take the bone out of the meat and cut it into 2.5cm pieces. Insert the plug into the socket, then set the speed control to 3-6, put the meat into the container, and it can work continuously for 3kg at one time. Please stop working after working continuously for 5 minutes, not for 15 minutes. So as not to affect the performance of the machine.

## Recipe

### Linseed Bread Rolls

Ingredients: 30g linseed, 40g water, 250g bread flour, 3g dry yeast, 30g sugar, 3g salt, 10g milk powder, 20g butter, 15g egg liquid

Process:

1. Soak the 30g linseed into 40g water for 12 hours
2. Put 250g bread flour, 3g dry yeast, 30g sugar, 3g salt, 10g milk powder, 150g water into the mixing bowl, use dough hook to knead the ingredients to dough at levels 1-3, and then add 20g butter and continue to knead the dough until smooth, then add soaked linseed until the dough is well kneaded. Cover with preservative film and allow fermenting to double its size in a warm place.

3.Knead thoroughly once more, remove from the bowl and divided into six rolls. After being rounded, cover the rolls and allow fermenting at 38°C for 1 hour.

4.After the fermentation is finished, brush the surface of the bread with egg liquid, put it on penultimate layer in the preheated oven, set fire up and down at 180°C and bake for 20 minutes, then remove the mold and put it on the grill to cool down.

### **Toast bread**

Ingredients: 270g high-gluten flour, 30g low-gluten flour, 1 egg, 3g salt, 55g sugar, 4g yeast, 80g light cream, 10g milk powder, 90g water.

Process:

1.Put all the ingredients into the mixing bowl, use dough hook to knead the ingredients to dough at levels 1-3.

2.Keep the mixture in a warm place and allow fermenting to double its size.

3.Knead thoroughly once more, remove from the bowl and divided it into 3 portions, cover the dough with preservative film for 15 minutes

4.Take one portion and roll it into a tongue shape, fold both sides toward the middle, and roll it up from bottom to top. After all three are rolled, cover the rolls with preservative film for 15 minutes

5.After finishing 3 servings, put them into the mold for the 2nd fermentation, ferment to 80% of the mold height. set fire up and down at 170°C and bake for 40 minutes, then remove the mold and put it on the grill to cool down.

### **Homemade Pizza**

Raw materials: 170g high-gluten flour, 100g water, 1.5g edible salt, 15g white sugar, 2g yeast, 15g butter, and some stuffing.

Process:

1. Put 170g high-gluten flour, 100g water, 1.5g edible salt, 15g sugar, and 2g yeast into the mixing bowl. Mix with dough hook at levels 1-3. After kneading into dough, add butter and continue to knead until it can pull out to be a flexible film

2. Leave the dough fermenting to double its size in a warm place.

3. During the fermentation, the pizza stuffing can be made and reserved for future use.

4. Knead thoroughly once more, take half of the dough to roll it round and relax for 5 minutes, then use a rolling pin to gently roll it to the size of a pizza pan, put it on the pizza pan, press it around the pizza pan with your hands, finally use a fork to make small holes.

5. Set the upper and lower tube heating mode of the oven, preheat 200°C. Brush the pie mold base with olive oil first, then scoop the pizza sauce and spread it evenly, and then, sprinkle a little mozzarella cheese and

shredded onion, put the 8-inch pizza pan in the second layer of the preheated oven and bake for 8 minutes.

6. When the time is up, take out the pizza pan and spread a layer of bacon. Here you can put your favorite food and prepared stuffing in order.

7. Put it in the preheated oven, set the working time for 15 minutes until the cheese is melted and the crust is golden.

#### Butter bread

Ingredients: 375g high-gluten flour, 180g milk, 35g butter, 30g sugar, 11g milk powder, 4g yeast, 3g salt, 1 egg

#### Process:

1. Put all the ingredients into the mixing bowl except the butter, leaving 10g of egg for the final brushing.
2. Use dough hook to mix at levels 1-3, after forming dough, add softened butter and continue kneading into glove film status.
3. Cover the mixture with preservative film and allow fermenting to double its size in a warm place.
4. Knead thoroughly once more, remove from the bowl and divided it into 10 portions. Take a portion of the dough and roll it into an oval shape, then roll it up from top to bottom.
5. Place the greased paper on the baking tray, then put the rolled bread dough on the tray, allow fermenting to double its size in a warm place.
6. Brush the egg liquid on the bread dough surface, preheat the oven to 160°C, put the bread dough at the middle layer and bake for 20 minutes.

#### French bread

Ingredients: 250g high-gluten flour, 50g low-gluten flour, 150g water, 10g sugar, 3g yeast powder, 1g edible salt.

#### Process:

1. Put all the ingredients into the mixing bowl, use the dough hook to mix at levels 1-3, and knead the dough into a dough shape.
2. Cover the mixture with preservative film and allow fermenting to double its size in a warm place.
3. Knead thoroughly once more, remove from the bowl and divided it into 4 portions. Take a portion of the dough and roll it into an oval shape, then roll it up from top to bottom.
4. Then cover with preservative film and allow fermenting to double its size.
5. Brush the surface with sesame oil, preheat the oven to 180°C, put the bread dough at the middle layer and bake for 20 minutes.

#### Original cake

Ingredients: 100g cake flour, 5 eggs, 50g edible oil, 80g sugar, a small amount of lemon juice, 55g milk.

Process:

1. Separate the egg white and egg yolk, add 20g sugar into the egg yolk, mix with egg beater at level 6 until the sugar is completely melted. Add milk and continue to stir evenly at level 6
2. Pour edible oil and continue beating until fully emulsified.
3. Pour the cake flour through a sieve, and stir evenly into a fine egg yolk paste.
4. Put a few drops of lemon juice into the egg white, add sugar in three times and beat with an egg beater until it is cotton-like.
5. Take 1/3 of the egg white, put them in the egg yolk paste and stir evenly, pour the paste back to the remaining egg white and stir evenly to a fine cake paste
6. Brush edible oil on the surface of cake mold, then pour the cake paste into the mold
7. Preheat the oven to 150°C, set upper and lower pipe heating mode and baking time 50 minutes, then bake it till golden color.

### **Chocolate cake**

Ingredients: 150g egg liquid, 50g pure milk, 40g cocoa powder, 80g white sugar.

Process:

1. Add 150g egg liquid, beat with egg beater at level 6 until it is cotton-like, then take it out and set aside
2. Put 80g white sugar, 50g milk, and 40g cocoa powder into a bowl and stir into a fine powder with a stirring paddle at level 6.
3. Pour the prepared fine powder into the beaten egg liquid and mix well.
4. Pour the mixed raw materials into the oil-brushed baking tray mold and put it in the oven for baking at 180°C.
5. After being baked and shaped, take them out from the mold and wait for cooling down before eating

### **Chocolate ice cream cake**

Ingredients: 140g cream cheese, 140g dark chocolate, 220g milk, 100g powdered sugar, 240g whipped cream, 2g edible salt.

Process:

1. The outside of the square mold is wrapped with tin foil, and put a circle of baking paper inside
2. Add powdered sugar and a pinch of salt into cream cheese and mix it with a stirring paddle.
3. Chop the dark chocolate and heat it to melt, pour the melted chocolate into the cheese, then use a stirring paddle to stir evenly. Take it out and place it on a tray for later use.

4. Put whipped cream in the pot and then stir until it is almost cotton-like.
5. Add the whipped cream in 2 times into the chocolate cheese and stir evenly, then pour the milk into it in 2 times and mix it well again.
6. Finally, pour it into the mold and put it in the refrigerator for several hours. Take it out and de-mould it.

## Analysis of common problems

| Phenomenons                                    | causes  | Solutions  |
|--|---|--|
| The machine suddenly stops working during use. | It may be that the machine runs too long, or the ambient temperature is too high, resulting in the machine's motor temperature being too high; the machine starts the overheating protection program, automatic shutdown. | Gear reset to "0", unplug the power, wait for the machine to return to room temperature can be restarted (generally need 15-30 minutes, the room temperature varies cooling time). |
| Turning the gear knob machine does not run     | Check if the plug is in good contact with the socket.   | Verify that the power plug is plugged into the outlet.   |
|  | Check if the power is out.  | Wait for power before operating  |
|  | Check if the rise button spring back in place.  | Make sure the headstock is stuck in place.   |
| Excessive noise when the machine is running    | <ol style="list-style-type: none"> <li>①The machine will work louder in high gear than in low gear.</li> <li>②The amount of food stirred is too large,</li> </ol>   | <ol style="list-style-type: none"> <li>① Choose the right gear to stir food according to the recommendations in the manual</li> <li>② Reduce the amount</li> </ol>                 |

|  |   |  |
|--|---|--|
|  | <p>resulting in overloading the machine.</p> <p>③Voltage is unstable.</p> <p>④Working time is too long.</p>   | <p>of stirring.</p> <p>③If the voltage is unstable, wait for the voltage to stabilize before using.</p> <p>④If the working time is too long, stop and cool down for a while before using.</p>  |
| <p>The machine speed drops, or the speed is unstable</p>   | <p>① Whether the room temperature is low, causing the lubricant in the machine to harden.</p> <p>②The ingredients stirred are too hard and too much, resulting in too much load on the machine.</p> <p>③Whether the voltage suddenly becomes low.</p> | <p>①Remove the mixing bowl and let the machine idle for 5 minutes to soften the lubricant in the machine and restore the speed stability.</p> <p>②Reduce the mixing volume and let the machine work according to the normal workload.</p> <p>③When the voltage is stable, use the machine again.</p> |
| <p>Machine swaying and shaking when working</p>  | <p>①Check if the foot pad on the base is off.</p> <p>②Whether the machine is placed on a smooth and flat countertop for use.</p>  | <p>①Check if the foot pad on the base is off.</p> <p>②Place on a smooth and flat countertop for use</p>  |
| <p>The headstock can't spring back to reset after putting on the anti-splash cover and mixing bowl</p> | <p>Check that the anti-splash cover is in place and the mixing bowl is assembled.</p>   | <p>Rotate the anti-splash cover and assemble it in place, and assemble the mixing pot in place.</p>  |

|                                 |   |  |
|---------------------------------|---|--|
| Dough darkening found after use | Black powder falls onto the dough at the mixing head. | Please check that the mixing head and hook are dry and that no water or dust is present on the surface before use. |
|---------------------------------|---|--|

## Cleaning

|                    |   |
|--------------------|---|
| Body Cleaning      | <ol style="list-style-type: none"> <li>1. Do not immerse the machine in the water. Do not use water to shower directly on top of the machine to prevent the host body from entering the water to avoid short circuits, electric shock, leakage, rust, and other failures.</li> <li>2. Do not use a dripping wet towel to wipe the machine</li> <li>3. Do not use detergent/vinegar/salt and other corrosive, strongly acidic, strong alkaline cleaning products to clean the machine body, otherwise accessible to damage the machine's surface.</li> <li>4. Do not use sharp and rough tools such as wire balls to brush the accessories. Otherwise, it is easy to damage the surface of the accessories.</li> </ol> |
| Accessory Cleaning | <ol style="list-style-type: none"> <li>1. Do not put the cast aluminum parts into the dishwasher or wash them with corrosive, strongly acidic, or alkaline cleaning products. Please do not put them into the dishwasher for cleaning. (Except for stainless steel parts or surface-treated Teflon parts and electrophoresis parts)</li> <li>2. Do not soak for a long time in detergent, saltwater, vinegar, and other corrosive liquids; use in time to clean accessories.</li> <li>3. After cleaning, dry the accessories, mainly to keep the internal parts dry in time.</li> </ol>   |

|                              |  |
|------------------------------|--|
| Special Cleaning             | <ol style="list-style-type: none"> <li>1. The rotating output shaft will produce a bit of black trace due to high speed and friction when the machine is working. After each use, please clean it promptly and keep the part dry.</li> <li>2. Pay attention to the sharp blade and related sharp edge parts or accessories.</li> </ol> |
| Preservation and maintenance | <ol style="list-style-type: none"> <li>1. You can use olive oil to apply on the blade's surface, knife plate, and mixing pot to ensure the dry and wet environment to oxidize it.</li> <li>2. When not in use, you can cover the machine with a packaging bag and place it in a dry environment.</li> </ol>                            |

**Manufacturer:** Shanghaimuxinmuyeyouxiangongsi

**Address:** Shuangchenglu 803nong11hao1602A-1609shi, baoshanqu, shanghai 200000 CN.

**Imported to AUS:** SIHAO PTY LTD. 1 ROKEVA STREETEASTWOOD NSW 2122 Australia

**Imported to USA:** Sanven Technology Ltd. Suite 250, 9166 Anaheim Place, Rancho Cucamonga, CA 91730

|    |     |
|----|-----|
| UK | REP |
|----|-----|

YH CONSULTING LIMITED. C/O YH Consulting Limited Office 147, Centurion House, London Road, Staines-upon-Thames, Surrey, TW18 4AX

|    |     |
|----|-----|
| EC | REP |
|----|-----|

E-CrossStu GmbH  
Mainzer Landstr.69,  
60329 Frankfurt am Main.



# VEVOR

**Affordable. Reliable. Home Improvement.**

**Batteur sur socle**

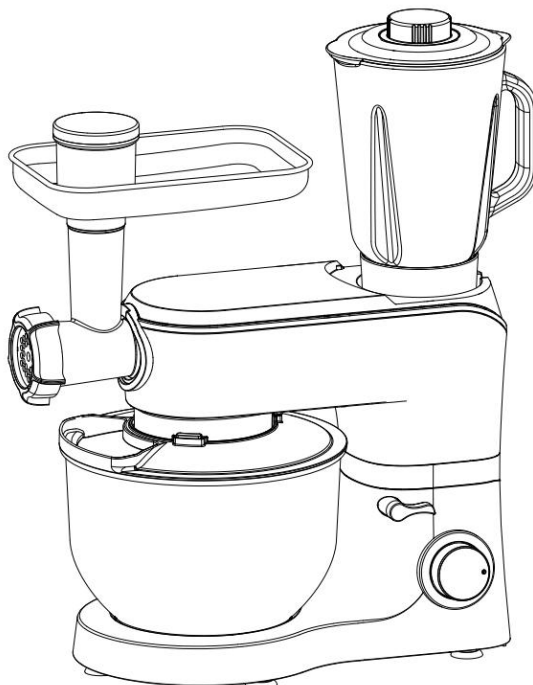
Modèle : SM-1503BM

# VEVOR




Affordable. Reliable. Home Improvement.

## Stand Mixer

**Modèle : SM-1503BM**



Ceci est le mode d'emploi d'origine. Veuillez lire attentivement l'intégralité du manuel avant utilisation. VEVOR se réserve le droit d'interpréter clairement ce manuel d'utilisation. L'apparence du produit dépend du produit que vous avez reçu. Veuillez nous excuser de ne pas vous informer ultérieurement des mises à jour technologiques ou logicielles de notre produit.

|   |   |
|---|---|
|  | <p>Avertissement - Pour réduire le risque de blessure, l'utilisateur doit lire<br/>Lisez attentivement le manuel d'instructions.</p>  |
|   | <p>Avertissement - Pour usage intérieur uniquement</p>  |
|   | <p style="text-align: center;"><b>ÉLIMINATION CORRECTE</b></p> <p>Ce produit est soumis aux dispositions de la directive européenne 2012/19/CE. Le symbole représentant une poubelle barrée à travers indique que le produit nécessite un tri sélectif collecté dans l'Union européenne. Ceci s'applique au produit et tous les accessoires marqués de ce symbole. Produits marqués en tant que tel ne peut pas être jeté avec les ordures ménagères normales, mais doivent être apportés à un point de collecte pour le recyclage des appareils électriques et appareils électroniques</p> |

## **Consignes générales de sécurité**

**Lisez attentivement le mode d'emploi avant de mettre l'appareil en service et conservez-le, y compris la garantie, le ticket de caisse et, si possible, la boîte contenant l'emballage intérieur. Si vous cédez cet appareil à d'autres personnes, veuillez également leur transmettre le mode d'emploi.**

- Cet appareil est conçu exclusivement pour un usage privé et pour l'usage prévu. Il n'est pas adapté à un usage commercial. Ne l'utilisez pas à l'extérieur (sauf s'il est conçu pour une utilisation en extérieur). Tenez-le à l'écart des sources de chaleur, de la lumière directe du soleil, de l'humidité (ne jamais le plonger dans un liquide) et des bords tranchants. N'utilisez pas l'appareil avec les mains mouillées. Si l'appareil est humide ou mouillé, débranchez-le immédiatement.
- Lors du nettoyage ou du rangement de l'appareil, éteignez-le et débranchez-le toujours de la prise (tirez sur la fiche et non sur le câble) si l'appareil n'est pas utilisé et retirez les accessoires fournis.
- N'utilisez pas la machine sans surveillance. Si vous quittez le lieu de travail, éteignez toujours la machine ou débranchez la prise (tirez sur la fiche et non sur le cordon).

- Vérifiez régulièrement l'état de l'appareil et du câble. N'utilisez pas l'appareil s'il est endommagé. N'essayez pas de le réparer vous-même. Contactez toujours un technicien agréé. Si le cordon d'alimentation est endommagé, il doit être remplacé par le fabricant, son service après-vente ou une personne de qualification similaire afin d'éviter tout danger.
- Utilisez uniquement des pièces de rechange d'origine.
- Portez une attention particulière aux « Consignes de sécurité spéciales » suivantes.

### **Enfants et personnes fragiles**

- Afin d'assurer la sécurité de vos enfants, veuillez garder tous les emballages (sacs plastiques, boîtes, polystyrène etc.) hors de leur portée. Attention ! Ne laissez pas les jeunes enfants jouer avec le film plastique, risque d'étouffement !
- Lorsque vous utilisez un mixeur et un hachoir, l'appareil ne doit pas être utilisé par des enfants. Gardez l'appareil et son cordon hors de portée des enfants.
- Cet appareil n'est pas un jouet. Les enfants ne doivent pas jouer avec.
- Les appareils peuvent être utilisés par des personnes ayant des capacités physiques, sensorielles ou mentales réduites ou manquant d'expérience et les connaissances s'ils ont reçu une supervision ou des instructions concernant l'utilisation de l'appareil en toute sécurité et s'ils comprennent les dangers encourus.

### **Consignes de sécurité spéciales pour cette machine**

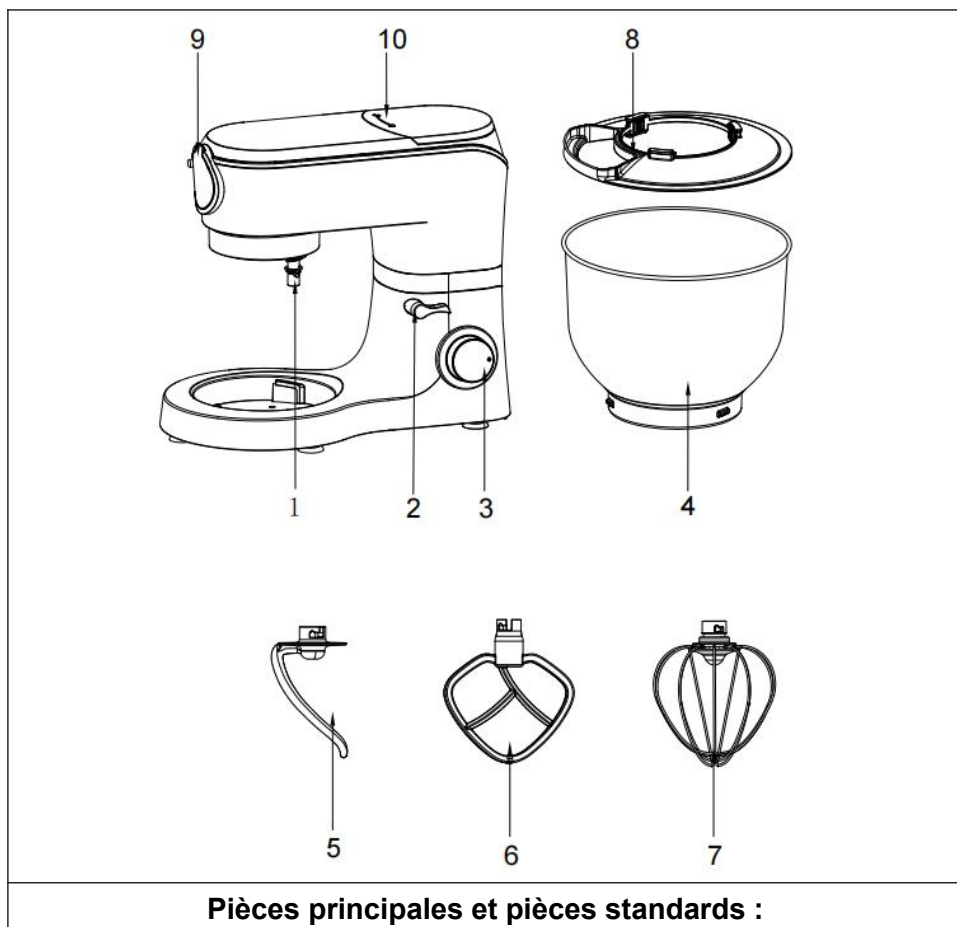
- Débranchez toujours l'appareil de l'alimentation s'il est laissé sans surveillance et avant de procéder au montage, au démontage ou nettoyage.
- Éteignez l'appareil et débranchez-le de l'alimentation avant de changer des accessoires ou d'approcher des pièces qui se déplacent en cours d'utilisation. N'utilisez pas l'appareil à d'autres fins que celles prévues .
- ATTENTION : Afin d'éviter tout danger dû à une réinitialisation involontaire du disjoncteur thermique, cet appareil doit ne pas être alimenté par un dispositif de commutation externe, tel qu'une minuterie, ou connecté à un circuit qui est régulièrement activé et désactivé par le service public.
- N'utilisez cette machine que sous surveillance.
- N'interférez pas avec les interrupteurs de sécurité.
- N'insérez rien dans les crochets rotatifs pendant que la machine fonctionne.
- Placez la machine sur une surface de travail lisse, plane et stable.

- Ne branchez pas la fiche secteur de la machine dans la prise de courant sans avoir installé tous les accessoires nécessaires.
  - -Cet appareil n'est pas destiné à être utilisé par des personnes (y compris les enfants) ayant des capacités physiques, sensorielles ou mentales réduites, ou manquant d'expérience et de connaissances, à moins qu'elles n'aient reçu une supervision ou des instructions concernant l'utilisation de l'appareil par une personne responsable de leur sécurité.
  - -Les enfants doivent être surveillés pour s'assurer qu'ils ne jouent pas avec l'appareil
  - -Cet appareil peut être utilisé par des enfants âgés de 8 ans et plus et des personnes ayant des capacités physiques, sensorielles ou mentales réduites ou manquant d'expérience et de connaissances s'ils ont reçu une surveillance ou des instructions concernant l'utilisation de l'appareil en toute sécurité et comprennent les dangers encourus
  - -Si le cordon d'alimentation est endommagé, il doit être remplacé par le fabricant, son agent de service ou des personnes de qualification similaire afin d'éviter tout danger
  - - Cet appareil est destiné à être utilisé dans des applications domestiques et similaires telles que : – les cuisines du personnel dans les magasins, bureaux et autres environnements de travail ; – les fermes ; – par les clients dans les hôtels, motels et autres environnements de type résidentiel ; – les environnements de type chambres d'hôtes.
  - Cet appareil ne doit pas être utilisé par des enfants. Tenez l'appareil et son cordon hors de leur portée.
  - Cet appareil peut être utilisé par des enfants de 8 ans et plus, sous surveillance ou sous instructions concernant son utilisation en toute sécurité et s'ils comprennent les dangers encourus. Le nettoyage et l'entretien ne doivent pas être effectués par des enfants, sauf s'ils sont âgés de 8 ans et plus et sous surveillance. Tenir l'appareil et son cordon hors de portée des enfants de moins de 8 ans.
  - - Débranchez toujours l'appareil de l'alimentation s'il est laissé sans surveillance et avant de le monter, de le démonter ou de le nettoyer
  - Pour le modèle SM-1505BM, la consommation électrique était de 0,4 W en mode éteint.
  - La période après laquelle l'équipement atteint le mode d'arrêt automatique était inférieure à 1 min.
- **ATTENTION** : Assurez-vous que le mixeur est éteint avant de le retirer du support.

## Spécification

|                               |              |
|-------------------------------|--------------|
| <b>Modèle</b>                 | SM-1503BM    |
| <b>Tension nominale</b>       | CA 220-240 V |
| <b>fréquence</b>              | 50-60 Hz     |
| <b>Consommation d'énergie</b> | 1500 W       |

### Nom des différentes parties



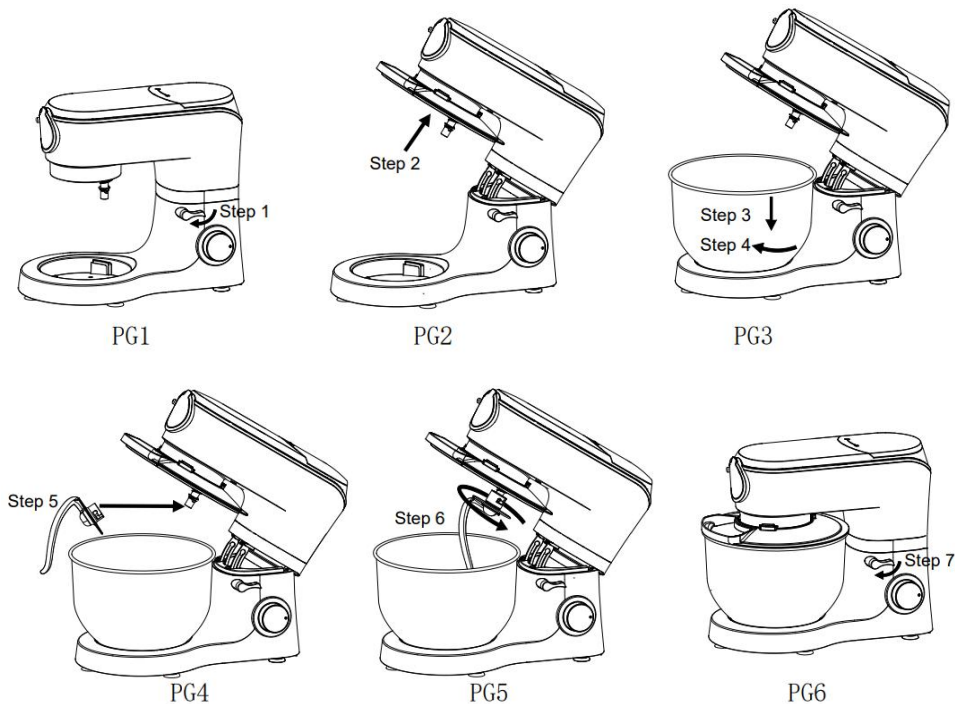
**Pièces principales et pièces standards :**

|   |                    |    |                    |
|---|--------------------|----|--------------------|
| 1 | arbre de sortie    | 6  | Batteur            |
| 2 | Bouton de montée   | 7  | Fouet              |
| 3 | Bouton de vitesse  | 8  | Couvercle de bol   |
| 4 | Bol                | 9  | Couverture avant   |
| 5 | Crochet pétrisseur | 10 | Couverture arrière |

## Comment utiliser la machine

1. Avant utilisation, lavez les accessoires à l'eau claire, rincez et séchez.
2. Placez la machine sur une table plane, propre et sèche, appuyez sur la tête de la machine, tournez à nouveau le bouton tête haute (2) Étape 1, le haut du corps se soulèvera automatiquement. (PG 1 & 2).
3. Installez le couvercle du pot dans l'extrémité d'agitation Étape 2. de la machine conformément au PG2
4. Pesez les aliments et l'eau à traiter dans le bol de mélange, puis assemblez le bol de mélange (4) sur la machine étape 3, tournez dans le sens des aiguilles d'une montre jusqu'à ce que la boucle soit vissée et verrouillée étape 4 ; (PG3)
5. Ne pas dépasser la quantité de pâte - le poids total peut supporter jusqu'à 1,5 kg ;
6. Installez les accessoires requis (5), (6) et (7) (un seul des trois peut être utilisé à la fois) sur l'arbre de sortie de mélange de la tête (1) étape 5, poussez les accessoires vers le haut, puis tournez d'un quart de tour dans le sens inverse des aiguilles d'une montre jusqu'à la position de verrouillage étape 6 ; (PG4&5)
7. Appuyez sur la tête de la machine, la machine verrouillera automatiquement le bouton de la tête (2) étape 7, qui est en position horizontale ; (PG6)。
8. Branchez ensuite la prise et allumez l'interrupteur d'alimentation.
9. Réglez le bouton de vitesse (3) sur la vitesse requise - commencez à mélanger ;
10. Une fois que la pâte répond aux exigences, remettez le bouton de vitesse (3) sur la vitesse 0 pour terminer.
11. Appuyez sur la tête de la machine à la main, tournez le bouton de levage (2) dans le sens des aiguilles d'une montre, soulevez le corps

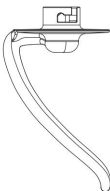

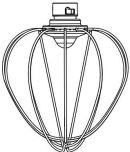
supérieur, faites tourner le bol de mélange dans le sens inverse des aiguilles d'une montre, retirez le bol de mélange et retirez la pâte.  
 12. Éteignez l'appareil et débranchez-le de l'alimentation avant de changer des accessoires ou d'approcher des pièces mobiles pendant l'utilisation.



## Suggestion

un mélange ne dépassant pas 1,5 kg

| Accessoires | Image | Vitesse | Temps (min) | Maximum | Méthode de fonctionnement |
|-------------|-------|---------|-------------|---------|---------------------------|
|             |       |         |             |         |                           |

|                    |   |      |      |                                |  |
|--------------------|---|------|------|--------------------------------|--|
| Crochet pétrisseur |  | 1- 3 | 3-5  | 1000 g de farine + 538 g d'eau | 1 vitesse pendant 30 secondes, 2 vitesses pendant 30 secondes, puis 3 vitesses pendant 2 à 4 minutes pour former un cluster. |
| Batteur            |  | 2-4  | 3-10 | 660 g de farine + 840 g d'eau  | 2 vitesses fonctionnent pendant 20 secondes, 4 vitesses fonctionnent pendant plus de 2 minutes 40 secondes                   |
| Fouet              |  | 5-6  | 3-10 | 3 blancs d'œufs (min)          | Ouvrez 5 ou 6 vitesses pour fonctionner 3 minutes au-dessus.   |

### Utilisations et conseils du mixeur :

Le blender permet de mixer les aliments. Cet appareil permet de préparer des soupes, des sauces, des milkshakes, des petits pots pour bébé, des légumes, des boissons, des desserts, des purées, etc. Les aliments solides doivent être coupés en petits morceaux.

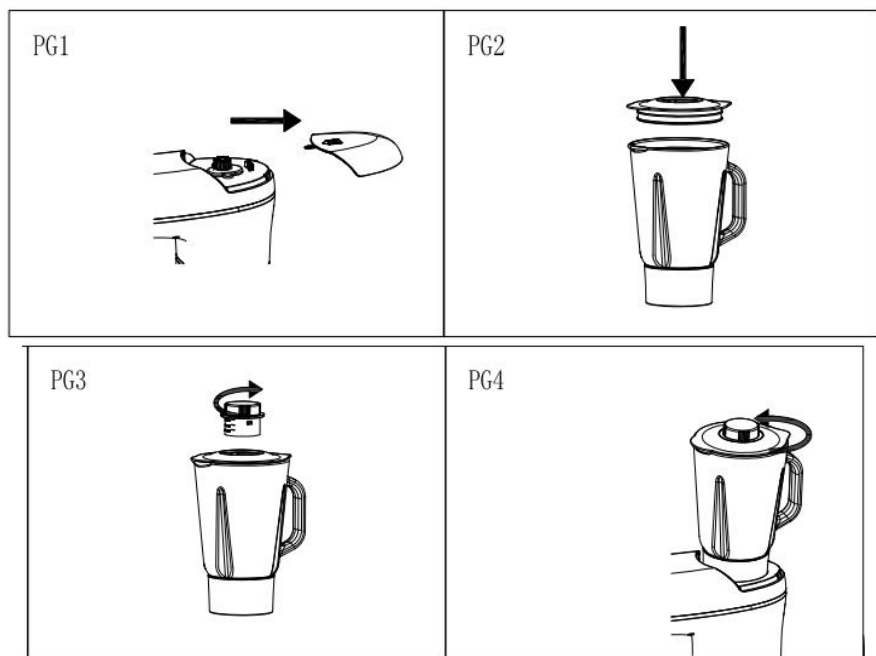
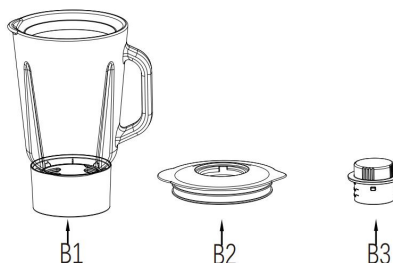
### Prudence :

- 1) Avant d'utiliser le blender, ne le branchez pas. Assurez-vous qu'il est correctement installé et que le couvercle est bien fermé avant de l'utiliser.
- 2) Débranchez-le une fois terminé et retirez les gobelets du mixeur de l'appareil.
- 3) Veuillez ne pas ajouter d'aliments à plus de 80°C dans la tasse.
- 4) Optimum liquide ne dépasse pas 1,5 L.
- 5) Fixez le couvercle sur la tasse.
- 6) Ne retirez pas le gobelet mélangeur ni le couvercle pendant l'opération.

7) Faites fonctionner le mixeur pendant 3 minutes maximum.

**Comment assembler le bol du mixeur :**

- 1 ) Retirez le petit couvercle (suivi de PG1.A) ou faites pivoter la boucle à anneau (suivi de PG1.B).
- 2 ) Placez le couvercle B2 sur le bol mixeur B1 (suivi de PG2).
- 3 ) Placez B3 dans B2 et vissez (suivez par PG3).
- 4 ) Lorsque tout est fait, tournez dans le sens des aiguilles d'une montre et vissez le pot sur la base (suivez par PG4).



|                     |                |                          |
|---------------------|----------------|--------------------------|
| B1 : Gobelet mixeur | B2 : couvercle | B3 : Cylindre de serrure |
|---------------------|----------------|--------------------------|

**Attention :**

Ajoutez les ingrédients en retirant le barillet de verrouillage pendant le fonctionnement. Soyez vigilant pendant l'utilisation. Une fois l'opération terminée, débranchez l'appareil et lavez le récipient après utilisation.

**Procédures de démontage après utilisation :**

- 1) Dans le sens inverse des aiguilles d'une montre jusqu'au niveau 0, puis débranchez.
- 2) Dévissez le pot et placez-le sur la table.
- 3) Retirez B2 à la main.
- 4) Tenez la poignée du verre d'une main, tenez le corps du verre de l'autre main et inclinez lentement pour verser le liquide.

**Conseils de recommandation :**

Retirez le noyau et la peau dure du fruit, coupez-le en purée, versez-la dans un bol et ajoutez de l'eau. La quantité optimale de nourriture est de 600 g et celle d'eau de 900 g. Ne dépassez pas la capacité maximale du bol. Fermez le couvercle et vissez le bol sur le blender. Branchez l'appareil et réglez la vitesse sur 4 à 6. Arrêtez l'appareil après 3 minutes de fonctionnement. Afin de préserver les performances de l'appareil, la durée totale de fonctionnement ne doit pas dépasser 15 minutes. bonnes performances de la machine, le temps de fonctionnement total ne doit pas dépasser 15 minutes.

## **Fonction hachoir à viande**

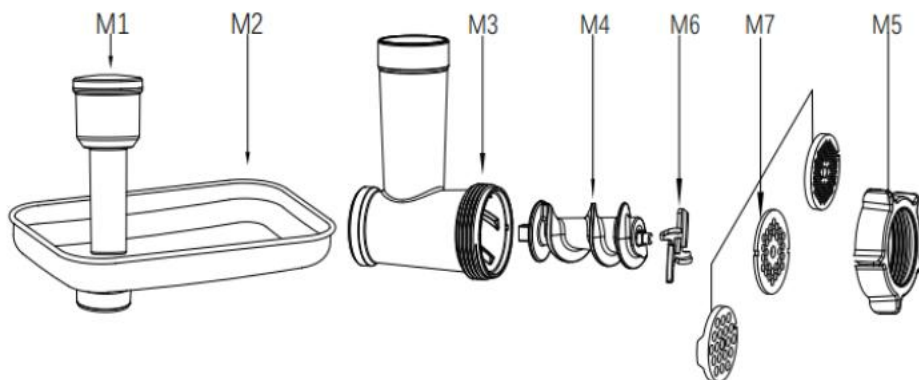
**Comment assembler et utiliser un hachoir à viande :**

- 1) Pour installer les accessoires du hachoir à viande, installez d'abord la lame du hachoir à viande M6 sur la tête de la vis du hachoir à viande M4, placez le coupe-hachoir à viande requis M7 (trou grossier, trou moyen ou trou fin), faites attention à aligner la rainure entre le tamis du hachoir à viande M7 et le hachoir à viande m3, et serrez l'écrou de blocage M5 sur le hachoir à viande M3. (PG1)
- 2) Démontez le capot avant (PG2).
- 3) Appuyez sur le bouton d'éjection à l'avant de la machine, maintenez le hachoir à viande M 3, connectez-le à la partie de transmission du capot avant et faites-le tourner dans le sens inverse des aiguilles d'une montre jusqu'à la position de verrouillage. (P G 3)
- 4) Alignez l'orifice de décharge du plateau M 2 avec l'orifice d'alimentation du hachoir à viande M 3 et installez-le en place ( PG 4)

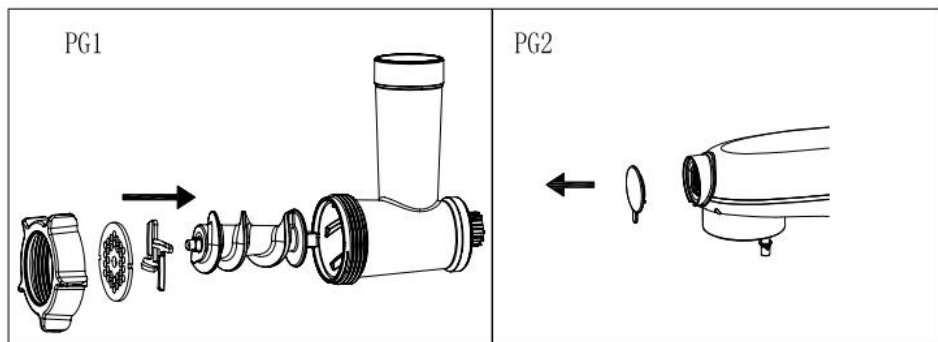
5) Placer un récipient à la sortie du hachoir. Nettoyer la viande de porc et la couper en lanières. La largeur ne doit pas dépasser l'entrée d'alimentation du bac M2.

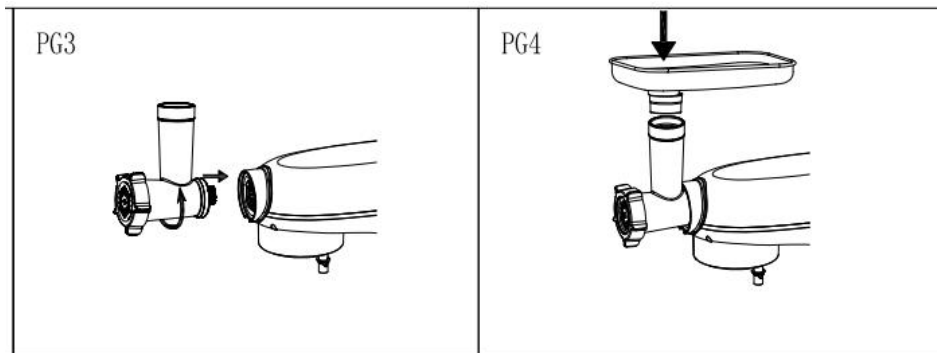
6) Branchez le cordon d'alimentation dans la prise. Réglez ensuite la vitesse sur la vitesse souhaitée. Placez la viande sur le plateau M2 et insérez-la dans l'orifice d'alimentation. Utilisez le poussoir M1 pour enfoncer lentement la viande dans l'orifice d'alimentation du hachoir. Ne mettez pas vos doigts dans le hachoir M3.

7) Après utilisation, passez au réglage 0 et débranchez la prise.



|    |               |    |                         |
|----|---------------|----|-------------------------|
| M1 | Poussoir      | M5 | Verrouillage du hachage |
| M2 | Plateau       | M6 | Lame                    |
| M3 | Boîtier Helix | M7 | Tamis                   |
| M4 | Hélix         |    |                         |





### Suggestions de recettes :

Désosser la viande et la couper en morceaux de 2,5 cm. Brancher la fiche dans la prise, régler la vitesse sur 3-6 , placer la viande dans le récipient et l'appareil peut fonctionner en continu jusqu'à 3 kg. Arrêter l'appareil après 5 minutes d'utilisation continue, et non 15 minutes, afin de préserver ses performances.

## Recette

### Petits pains aux graines de lin

Ingrédients : 30 g de graines de lin, 40 g d'eau, 250 g de farine à pain, 3 g de levure sèche, 30 g de sucre, 3 g de sel, 10 g de lait en poudre, 20 g de beurre, 15 g de liquide d'œuf

Processus:

1. Faites tremper 30 g de graines de lin dans 40 g d'eau pendant 12 heures
2. Dans le bol du robot, mettre 250 g de farine à pain, 3 g de levure sèche, 30 g de sucre, 3 g de sel, 10 g de lait en poudre et 150 g d'eau. À l'aide du crochet pétrisseur, pétrir les ingrédients jusqu'à obtenir une pâte lisse (niveaux 1 à 3). Ajouter ensuite 20 g de beurre et continuer à pétrir. Ajouter ensuite les graines de lin humidifiées jusqu'à obtenir une pâte bien pétrie. Couvrir d'un film alimentaire et laisser la pâte doubler de volume dans un endroit chaud.
3. Pétrissez à nouveau vigoureusement, retirez du bol et divisez en six rouleaux. Après avoir roulé les rouleaux, couvrez-les et laissez-les fermenter à 38 °C pendant 1 heure.
4. Une fois la fermentation terminée, badigeonnez la surface du pain avec le liquide d'œuf, mettez-le sur avant-dernière couche dans le four préchauffé, réglez le feu de haut en bas à 180°C et faites cuire pendant 20 minutes, puis retirez le moule et placez-le sur le grill pour qu'il refroidisse.

## **Pain grillé**

Ingrédients : 270 g de farine riche en gluten, 30 g de farine pauvre en gluten, 1 œuf, 3 g de sel, 55 g de sucre, 4 g de levure, 80 g de crème légère, 10 g de lait en poudre, 90 g d'eau.

Processus:

1. Mettez tous les ingrédients dans le bol de mixage, utilisez le crochet pétrisseur pour pétrir les ingrédients jusqu'à obtenir une pâte aux niveaux 1 à 3.
2. Gardez le mélange dans un endroit chaud et laissez-le fermenter jusqu'à ce qu'il double de volume.
3. Pétrissez à nouveau soigneusement, retirez du bol et divisez-la en 3 portions, couvrez la pâte d'un film conservateur pendant 15 minutes
4. Prenez une portion et roulez-la en forme de langue, repliez les deux côtés vers le milieu et roulez-la de bas en haut. Une fois les trois roulés, couvrez-les d'un film alimentaire pendant 15 minutes.
5. Après avoir terminé 3 portions, mettez-les dans le moule pour la 2ème fermentation, fermentez à 80% de la hauteur du moule. Réglez le feu de haut en bas à 170°C et faites cuire pendant 40 minutes, puis retirez le moule et placez-le sur le gril pour refroidir.

## **Pizza maison**

Matières premières : 170 g de farine à haute teneur en gluten, 100 g d'eau, 1,5 g de sel comestible, 15 g de sucre blanc, 2 g de levure, 15 g de beurre et un peu de farce.

Processus:

1. Versez 170 g de farine riche en gluten, 100 g d'eau, 1,5 g de sel alimentaire, 15 g de sucre et 2 g de levure dans le bol. Mélangez avec le crochet pétrisseur aux vitesses 1 à 3. Après avoir pétri la pâte, ajoutez le beurre et continuez à pétrir jusqu'à obtenir une pâte souple.
2. Laissez la pâte fermenter jusqu'à ce qu'elle double de volume dans un endroit chaud.
3. Pendant la fermentation, la farce à pizza peut être préparée et réservée pour une utilisation ultérieure.
4. Pétrissez à nouveau soigneusement, prenez la moitié de la pâte pour l'étaler et laissez reposer 5 minutes, puis utilisez un rouleau à pâtisserie pour l'étaler délicatement jusqu'à la taille d'un moule à pizza, posez-la sur le moule à pizza, appuyez dessus autour du moule à pizza avec vos mains, enfin utilisez une fourchette pour faire de petits trous.
5. Réglez le four en mode de chauffage supérieur et inférieur et préchauffez-le à 200 °C. Badigeonnez d'abord le fond du moule à tarte d'huile d'olive, puis étalez la sauce à pizza uniformément. Saupoudrez

ensuite d'un peu de mozzarella et d'oignons râpés. Placez le moule à pizza de 20 cm au deuxième étage du four préchauffé et faites cuire 8 minutes.

6. Une fois le temps écoulé, sortez la plaque à pizza et étalez une couche de bacon. Vous pourrez y disposer vos aliments préférés et la garniture préparée.

7. Mettez-le dans le four préchauffé, réglez le temps de travail sur 15 minutes jusqu'à ce que le fromage soit fondu et que la croûte soit dorée.

**Pain au beurre**

Ingrédients : 375 g de farine riche en gluten, 180 g de lait, 35 g de beurre, 30 g de sucre, 11 g de lait en poudre, 4 g de levure, 3 g de sel, 1 œuf

Processus:

1. Mettez tous les ingrédients dans le bol du mixeur sauf le beurre, en laissant 10 g d'œuf pour le brossage final.

2. Utilisez le crochet pétrisseur pour mélanger aux niveaux 1 à 3, après avoir formé la pâte, ajoutez le beurre ramolli et continuez à pétrir jusqu'à obtenir un film de gant.

3. Couvrir le mélange d'un film conservateur et laisser fermenter jusqu'à ce qu'il double de volume dans un endroit chaud.

4. Pétrissez à nouveau vigoureusement, retirez du bol et divisez la pâte en 10 portions. Prenez une portion de pâte et étalez-la en forme ovale, puis roulez-la de haut en bas.

5. Placez le papier graissé sur la plaque de cuisson, puis mettez la pâte à pain roulée sur la plaque, laissez fermenter jusqu'à ce qu'elle double de volume dans un endroit chaud.

6. Badigeonnez le liquide d'œuf sur la surface de la pâte à pain, préchauffez le four à 160°C, placez la pâte à pain au milieu et faites cuire pendant 20 minutes.

### **pain français**

Ingrédients : 250 g de farine riche en gluten, 50 g de farine pauvre en gluten, 150 g d'eau, 10 g de sucre, 3 g de levure en poudre, 1 g de sel comestible.

Processus:

1. Mettez tous les ingrédients dans le bol de mixage, utilisez le crochet pétrisseur pour mélanger aux niveaux 1 à 3 et pétrissez la pâte pour lui donner une forme de pâte.

2. Couvrir le mélange d'un film conservateur et laisser fermenter jusqu'à ce qu'il double de volume dans un endroit chaud.

3. Pétrissez à nouveau vigoureusement, retirez du bol et divisez la pâte en 4 portions. Prenez une portion de pâte et étalez-la en forme ovale, puis roulez-la de haut en bas.

4. Recouvrir ensuite d'un film conservateur et laisser fermenter jusqu'à ce que sa taille double.
5. Badigeonnez la surface d'huile de sésame, préchauffez le four à 180°C, placez la pâte à pain au milieu et faites cuire pendant 20 minutes.

### **Gâteau original**

Ingrédients : 100 g de farine à gâteau, 5 œufs, 50 g d'huile alimentaire, 80 g de sucre, une petite quantité de jus de citron, 55 g de lait.

Processus:

1. Séparez le blanc du jaune d'œuf, ajoutez 20 g de sucre au jaune et mélangez au batteur à vitesse 6 jusqu'à ce que le sucre soit complètement fondu. Ajoutez le lait et continuez de remuer uniformément à vitesse 6.
2. Versez l'huile alimentaire et continuez de battre jusqu'à ce qu'elle soit complètement émulsionnée.
3. Versez la farine à gâteau à travers un tamis et mélangez uniformément jusqu'à obtenir une fine pâte de jaune d'œuf.
4. Mettez quelques gouttes de jus de citron dans le blanc d'œuf, ajoutez le sucre en trois fois et battez avec un batteur à œufs jusqu'à ce qu'il soit comme du coton.
5. Prenez 1/3 du blanc d'œuf, mettez-le dans la pâte de jaune d'œuf et remuez uniformément, reversez la pâte dans le blanc d'œuf restant et remuez uniformément jusqu'à obtenir une pâte à gâteau fine
6. Badigeonnez d'huile comestible la surface du moule à gâteau, puis versez la pâte à gâteau dans le moule
7. Préchauffez le four à 150°C, réglez le mode de chauffage des tubes supérieur et inférieur et le temps de cuisson sur 50 minutes, puis faites cuire jusqu'à ce qu'il soit doré.

### **Gâteau au chocolat**

Ingrédients : 150 g de liquide d'œuf, 50 g de lait pur, 40 g de cacao en poudre, 80 g de sucre blanc.

Processus:

1. Ajoutez 150 g de liquide d'œuf, battez avec un batteur à œufs au niveau 6 jusqu'à ce que le mélange soit cotonneux, puis retirez-le et réservez.
2. Mettez 80 g de sucre blanc, 50 g de lait et 40 g de cacao en poudre dans un bol et mélangez jusqu'à obtenir une poudre fine avec une palette de mélange au niveau 6.
3. Versez la poudre fine préparée dans le liquide d'œuf battu et mélangez bien.
4. Versez les matières premières mélangées dans le moule à pâtisserie huilé et mettez-le au four pour une cuisson à 180°C.

5. Après cuisson et mise en forme, démouler et attendre qu'ils refroidissent avant de les déguster.

### **Gâteau à la crème glacée au chocolat**

Ingrédients : 140 g de fromage frais, 140 g de chocolat noir, 220 g de lait, 100 g de sucre glace, 240 g de crème fouettée, 2 g de sel comestible.

Processus:

1. L'extérieur du moule carré est enveloppé de papier d'aluminium et un cercle de papier sulfurisé est placé à l'intérieur.
2. Ajoutez le sucre glace et une pincée de sel au fromage à la crème et mélangez avec une spatule.
3. Hachez le chocolat noir et faites-le fondre. Versez-le dans le fromage et mélangez uniformément à l'aide d'une spatule. Sortez le chocolat noir et placez-le sur un plateau pour une utilisation ultérieure.
4. Mettez la crème fouettée dans la casserole et remuez jusqu'à ce qu'elle soit presque cotonneuse.
5. Ajoutez la crème fouettée en 2 fois dans le fromage au chocolat et remuez uniformément, puis versez le lait en 2 fois et mélangez bien à nouveau.
6. Versez la préparation dans le moule et placez-le au réfrigérateur pendant quelques heures. Sortez-le et démoulez-le.

## **Analyse des problèmes courants**

| <b>Phénomènes</b>   | <b>causes</b>  | <b>Solutions</b>   |
|---|--|--|
| La machine cesse soudainement de fonctionner pendant son utilisation. | Il se peut que la machine fonctionne trop longtemps ou que la température ambiante soit trop élevée, ce qui entraîne une température trop élevée du moteur de la machine ; la machine démarre le programme de protection contre la surchauffe et s'arrête automatiquement. | Réinitialisez l'engrenage sur « 0 », débranchez l'alimentation, attendez que la machine revienne à température ambiante pour pouvoir la redémarrer (généralement 15 à 30 minutes sont nécessaires, la température ambiante varie en fonction du temps de |

|   |  |   |
|---|--|---|
|   |  | refroidissement).   |
| En tournant le pommeau de vitesse, la machine ne fonctionne pas | Vérifiez si la fiche est bien en contact avec la prise.  | Vérifiez que la fiche d'alimentation est branchée sur la prise.   |
|   | Vérifiez si l'alimentation est coupée.   | Attendez l'alimentation avant d'opérer  |
|   | Vérifiez si le bouton de montée revient en place.  | Assurez-vous que la poupée est bien fixée en place.   |
| Bruit excessif lorsque la machine fonctionne                    | <p>1. La machine fonctionnera plus fort en vitesse élevée qu'en vitesse basse.</p> <p>②La quantité d'aliments mélangés est trop importante, ce qui entraîne une surcharge de la machine.</p> <p>③La tension est instable.</p> <p>④Le temps de travail est trop long.</p> | <p>① Choisissez le bon équipement pour remuer les aliments selon les recommandations du manuel</p> <p>2. Réduisez la quantité d'agitation.</p> <p>③Si la tension est instable, attendez que la tension se stabilise avant de l'utiliser.</p> <p>④Si le temps de travail est trop long, arrêtez-vous et laissez refroidir un moment avant utilisation.</p> |

|  |  |   |
|--|--|---|
| <p>La vitesse de la machine diminue ou la vitesse est instable</p>   | <p>1. Si la température ambiante est basse, le lubrifiant de la machine durcit.<br/>         ②Les ingrédients mélangés sont trop durs et trop nombreux, ce qui entraîne une charge trop importante sur la machine.<br/>         ③Si la tension devient soudainement basse.</p> | <p>①Retirez le bol de mélange et laissez la machine tourner au ralenti pendant 5 minutes pour ramollir le lubrifiant dans la machine et rétablir la stabilité de la vitesse.<br/>         ②Réduisez le volume de mélange et laissez la machine fonctionner en fonction de la charge de travail normale.<br/>         ③Lorsque la tension est stable, utilisez à nouveau la machine.</p> |
| <p>La machine oscille et tremble pendant le travail</p>  | <p>①Vérifiez si le repose-pieds de la base est retiré.<br/>         ②Si la machine est placée sur un plan de travail lisse et plat pour être utilisée.</p>   | <p>①Vérifiez si le repose-pieds de la base est retiré.<br/>         ②Placer sur un plan de travail lisse et plat pour l'utilisation</p>   |
| <p>La tête ne peut pas revenir en arrière pour se réinitialiser après avoir mis le couvercle anti-éclaboussures et le bol de mélange</p> | <p>Vérifiez que le couvercle anti-éclaboussures est en place et que le bol de mixage est assemblé.</p>   | <p>Faites pivoter le couvercle anti-éclaboussures et assemblez-le en place, puis assemblez le pot de mélange en place.</p>  |
| <p>Noircissement de la pâte constaté après utilisation</p>   | <p>La poudre noire tombe sur la pâte au niveau de la tête de mélange.</p>  | <p>Veillez vérifier que la tête de mélange et le crochet sont secs et qu'il n'y a pas d'eau ou de poussière sur la surface avant utilisation.</p>   |

## Nettoyage

|                                  |  |
|----------------------------------|--|
| <p>Nettoyage du corps</p>        | <ol style="list-style-type: none"><li>1. Ne pas immerger l'appareil dans l'eau. Ne pas utiliser d'eau directement sur l'appareil pour éviter tout contact avec l'eau et éviter ainsi les courts-circuits, les chocs électriques, les fuites, la rouille et autres pannes.</li><li>2. N'utilisez pas de serviette mouillée pour essuyer la machine</li><li>3. N'utilisez pas de détergent/vinaigre/sel ni d'autres produits de nettoyage corrosifs, fortement acides ou fortement alcalins pour nettoyer le corps de la machine, car ils pourraient endommager la surface de la machine.</li><li>4. N'utilisez pas d'outils tranchants ou rugueux, tels que des boules métalliques, pour broser les accessoires. Vous risqueriez d'endommager leur surface.</li></ol> |
| <p>Nettoyage des accessoires</p> | <ol style="list-style-type: none"><li>1. Ne mettez pas les pièces en fonte d'aluminium au lave-vaisselle et ne les lavez pas avec des produits de nettoyage corrosifs, fortement acides ou alcalins. Ne les nettoyez pas au lave-vaisselle (sauf les pièces en acier inoxydable, en Téflon traité et les pièces traitées par électrophorèse).</li><li>2. Ne pas tremper trop longtemps dans du détergent, de l'eau salée, du vinaigre et d'autres liquides corrosifs ; utiliser à temps pour nettoyer les accessoires.</li><li>3. Après le nettoyage, séchez les accessoires, principalement pour garder les pièces internes sèches à temps.</li></ol>   |
| <p>Nettoyage spécial</p>         | <ol style="list-style-type: none"><li>1. L'arbre de sortie en rotation peut laisser des traces noires en raison de la vitesse élevée et des frottements pendant le fonctionnement de la machine. Après chaque utilisation, veuillez le nettoyer rapidement et le garder au sec.</li><li>2. Faites attention à la lame tranchante et aux pièces ou accessoires tranchants associés.</li></ol>   |

|                              |  |
|------------------------------|--|
| Conservation et<br>entretien | <p>1. Vous pouvez utiliser de l'huile d'olive pour l'appliquer sur la surface de la lame, la plaque du couteau et le pot de mélange pour assurer l'environnement sec et humide pour l'oxyder.</p> <p>2. Lorsque vous ne l'utilisez pas, vous pouvez couvrir la machine avec un sac d'emballage et la placer dans un environnement sec.</p> |
|------------------------------|--|

**Fabricant :** Shanghaimuxinmuyeyouxiangongsi

**Adresse :** Shuangchenglu 803nong11hao1602A-1609shi, baoshanqu, Shanghai 200 000 CN.

**Importé en Australie :** SIHAO PTY LTD. 1 ROKEVA STREET, ASTWOOD  
NSW 2122 Australie

**Importé aux États-Unis :** Sanven Technology Ltd. Suite 250, 9166 Anaheim

Lieu, Rancho Cucamonga, CA 91730

|           |            |
|-----------|------------|
| <b>UK</b> | <b>REP</b> |
|-----------|------------|

YH CONSULTING LIMITED. C/O YH Consulting Limited Office 147, Centurion House, London Road, Staines-upon-Thames, Surrey, TW18 4AX

|           |            |
|-----------|------------|
| <b>EC</b> | <b>REP</b> |
|-----------|------------|

E-CrossStu GmbH  
Mainzer Landstr.69,  
60329 Frankfurt am Main.



# VEVOR

**Affordable. Reliable. Home Improvement.**

**Standmixer**  
Modell: SM-1503BM

# VEVOR




Affordable. Reliable. Home Improvement.

## Stand Mixer

**Modell: SM-1503BM**



Dies ist die Originalanleitung. Bitte lesen Sie alle Anweisungen sorgfältig durch, bevor Sie das Gerät in Betrieb nehmen. VEVOR behält sich eine klare Auslegung unserer Bedienungsanleitung vor. Das Aussehen des Produkts hängt vom gelieferten Produkt ab. Bitte haben Sie Verständnis dafür, dass wir Sie nicht erneut über Technologie- oder Software-Updates informieren.

|   |   |
|---|---|
|  | <p>Warnung - Um das Verletzungsrisiko zu verringern, muss der Benutzer<br/>Lesen Sie die Bedienungsanleitung sorgfältig durch.</p>  |
|   | <p>Warnung – Nur zur Verwendung in Innenräumen</p>  |
|   | <p style="text-align: center;"><b>RICHTIGE ENTSORGUNG</b></p> <p>Dieses Produkt unterliegt den Bestimmungen der Europäischen Richtlinie 2012/ 19/EG. Das Symbol einer durchgestrichenen Mülltonne durch zeigt an, dass das Produkt einer getrennten Entsorgung bedarf</p> <p>Sammlung in der Europäischen Union. Dies gilt für das Produkt und alle mit diesem Symbol gekennzeichneten Zubehörteile. Produkte gekennzeichnet dürfen nicht mit dem normalen Hausmüll entsorgt werden, sondern müssen zu einer Sammelstelle für das Recycling von Elektro- und Elektronikgeräten gebracht werden.</p> <p style="text-align: center;">elektronische Geräte</p> |

## **Allgemeine Sicherheitshinweise**

**Lesen Sie vor Inbetriebnahme dieses Gerätes die Bedienungsanleitung sorgfältig durch und bewahren Sie diese inkl. Garantieschein, Kassenbon und nach Möglichkeit den Karton mit Innenverpackung auf. Falls Sie das Gerät an Dritte weitergeben, geben Sie auch die Bedienungsanleitung mit.**

- Das Gerät ist ausschließlich für den privaten und dafür vorgesehenen Gebrauch bestimmt. Für den gewerblichen Einsatz ist das Gerät nicht geeignet. Benutzen Sie das Gerät nicht im Freien (außer wenn es für den Außenbereich vorgesehen ist). Halten Sie das Gerät von Hitze, direkter Sonneneinstrahlung, Feuchtigkeit (auf keinen Fall in Flüssigkeiten tauchen) und scharfen Kanten fern. Bedienen Sie das Gerät nicht mit nassen Händen. Bei Feuchtigkeit oder Nässe sofort den Netzstecker ziehen.
- Schalten Sie das Gerät zum Reinigen oder Wegräumen aus und ziehen Sie bei Nichtgebrauch immer den Stecker aus der Steckdose (ziehen Sie am Stecker, nicht am Kabel) und entfernen Sie das angeschlossene Zubehör.

- Betreiben Sie die Maschine nicht unbeaufsichtigt. Sollten Sie den Arbeitsplatz verlassen, schalten Sie die Maschine immer aus oder ziehen Sie den Stecker aus der Steckdose (ziehen Sie am Stecker, nicht am Kabel).
- Überprüfen Sie das Gerät und das Kabel regelmäßig auf Beschädigungen. Benutzen Sie das Gerät nicht, wenn es beschädigt ist. Versuchen Sie nicht, das Gerät selbst zu reparieren. Wenden Sie sich immer an einen autorisierten Techniker. Wenn das Netzkabel beschädigt ist, muss es vom Hersteller, seinem Kundendienst oder einer ähnlich qualifizierten Person ersetzt werden, um Gefahren zu vermeiden.
- Verwenden Sie nur Original-Ersatzteile.
- Beachten Sie unbedingt die folgenden „Besonderen Sicherheitshinweise“.

### **Kinder und gebrechliche Personen**

- Um die Sicherheit Ihrer Kinder zu gewährleisten, bewahren Sie bitte sämtliche Verpackungen (Plastiktüten, Kartons, Styropor etc.) außerhalb der Reichweite Ihrer Kinder auf.  
Achtung! Lassen Sie kleine Kinder nicht mit der Folie spielen, es besteht Erstickenungsgefahr!
- Bei Verwendung des Zubehörmixers und -zerkleinerers darf das Gerät nicht von Kindern verwendet werden. Bewahren Sie das Gerät und sein Kabel außerhalb der Reichweite von Kindern auf.
- Dieses Gerät ist kein Spielzeug. Kinder dürfen nicht mit dem Gerät spielen.
- Geräte können von Personen mit eingeschränkten körperlichen, sensorischen oder geistigen Fähigkeiten oder mangelnder Erfahrung verwendet werden und Kenntnisse, wenn sie beaufsichtigt werden oder Anweisungen zur sicheren Verwendung des Geräts erhalten haben und ob sie die damit verbundenen Gefahren verstehen.

### **Besondere Sicherheitshinweise für diese Maschine**

- Trennen Sie das Gerät immer von der Stromversorgung, wenn es unbeaufsichtigt bleibt und bevor Sie es montieren, demontieren oder Reinigung.
- Schalten Sie das Gerät aus und trennen Sie es von der Stromversorgung, bevor Sie Zubehörteile austauschen oder sich Teilen nähern, die Bewegungen Sie sich während des Gebrauchs. Verwenden Sie das Gerät nicht für andere als die vorgesehenen Zwecke .
- VORSICHT: Um eine Gefährdung durch unbeabsichtigtes Zurücksetzen des Thermoschutzschalters zu vermeiden, muss dieses Gerät darf nicht über ein externes Schaltgerät, wie etwa einen Timer, versorgt werden oder

an einen Stromkreis angeschlossen werden, der regelmäßig vom Energieversorger ein- und ausgeschaltet werden.

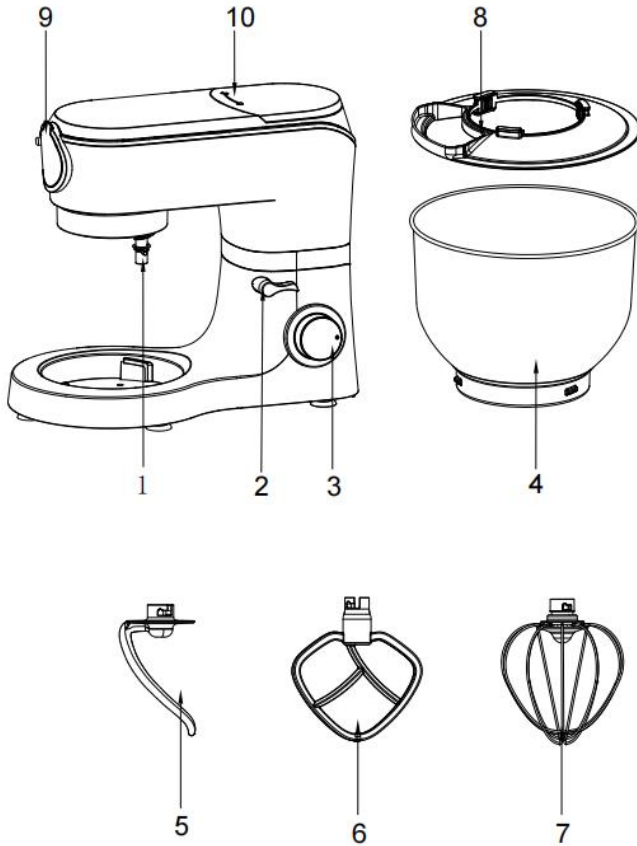
- Betreiben Sie diese Maschine nur unter Aufsicht.
- Nehmen Sie keine Eingriffe in Sicherheitsschalter vor.
- Stecken Sie während des Maschinenbetriebs nichts in die rotierenden Haken.
- Stellen Sie die Maschine auf eine glatte, ebene und stabile Arbeitsfläche.
- Stecken Sie den Netzstecker der Maschine nicht in die Steckdose, ohne alle erforderlichen Zubehörteile installiert zu haben.
- -Dieses Gerät ist nicht für die Verwendung durch Personen (einschließlich Kinder) mit eingeschränkten physischen, sensorischen oder geistigen Fähigkeiten oder Mangel an Erfahrung und Wissen bestimmt, es sei denn, sie werden von einer für ihre Sicherheit verantwortlichen Person beaufsichtigt oder in die Verwendung des Geräts eingewiesen
- -Kinder sollten beaufsichtigt werden, um sicherzustellen, dass sie nicht mit dem Gerät spielen
- - Dieses Gerät kann von Kindern ab 8 Jahren und Personen mit eingeschränkten physischen, sensorischen oder geistigen Fähigkeiten oder Mangel an Erfahrung und Wissen verwendet werden, wenn sie beaufsichtigt werden oder Anweisungen zur sicheren Verwendung des Geräts erhalten haben und die damit verbundenen Gefahren verstehen
- -Wenn das Netzkabel beschädigt ist, muss es vom Hersteller, seinem Kundendienst oder ähnlich qualifizierten Personen ersetzt werden, um eine Gefahr zu vermeiden
- - Dieses Gerät ist für den Einsatz im Haushalt und ähnlichen Anwendungen vorgesehen, beispielsweise: – Personalküchen in Geschäften, Büros und anderen Arbeitsumgebungen; – Bauernhöfe; – durch Kunden in Hotels, Motels und anderen wohnähnlichen Umgebungen; – Bed & Breakfast-Umgebungen.
- - Dieses Gerät darf nicht von Kindern benutzt werden. Bewahren Sie das Gerät und sein Kabel außerhalb der Reichweite von Kindern auf.
- -- Dieses Gerät kann von Kindern ab 8 Jahren benutzt werden, wenn sie beaufsichtigt werden oder eine Einweisung in die sichere Benutzung des Geräts erhalten haben und die damit verbundenen Gefahren verstehen. Reinigung und Wartung dürfen nicht von Kindern durchgeführt werden, es sei denn, sie sind älter als 8 Jahre und werden beaufsichtigt. Bewahren Sie das Gerät und das Kabel außerhalb der Reichweite von Kindern unter 8 Jahren auf.
- - Trennen Sie das Gerät immer von der Stromversorgung, wenn es unbeaufsichtigt bleibt und bevor Sie es zusammenbauen, auseinandernehmen oder reinigen

- Beim Modell SM-1505BM betrug der Stromverbrauch im Aus-Zustand 0,4 W.
  - Die Zeitspanne, nach der das Gerät automatisch in den Aus-Modus wechselt, betrug weniger als 1 Minute.
- **ACHTUNG:** Stellen Sie sicher, dass der Mixer ausgeschaltet ist, bevor Sie ihn vom Ständer nehmen.

## Spezifikation

|                       |            |
|-----------------------|------------|
| <b>Modell</b>         | SM-1503BM  |
| <b>Nennspannung</b>   | AC220-240V |
| <b>Frequenz</b>       | 50-60 Hz   |
| <b>Stromverbrauch</b> | 1500 W     |

## Name der verschiedenen Teile

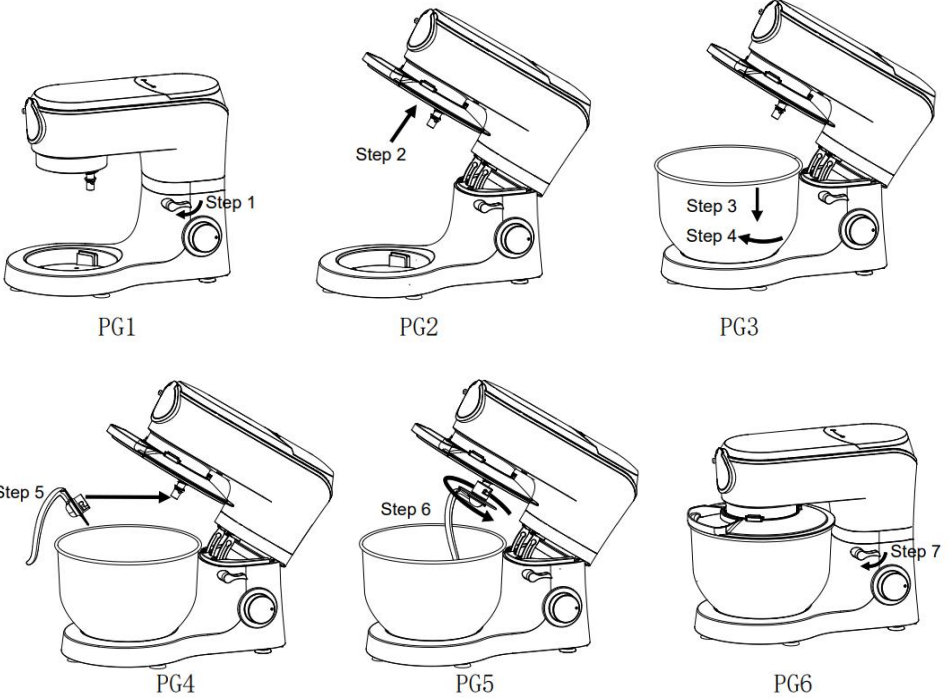


**Hauptteile und Normteile :**

|   |                           |    |                   |
|---|---------------------------|----|-------------------|
| 1 | Abtriebswelle             | 6  | Schläger          |
| 2 | Schaltfläche „Aufsteigen“ | 7  | Schneebeisen      |
| 3 | Geschwindigkeitstaste     | 8  | Schüsselabdeckung |
| 4 | Schüssel                  | 9  | Vordere Abdeckung |
| 5 | Knethaken                 | 10 | Hintere Abdeckung |

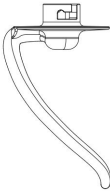
**So verwenden Sie die Maschine**


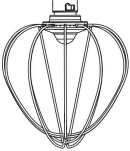
1. Waschen Sie das Zubehör vor der Verwendung mit klarem Wasser, spülen Sie es ab und trocknen Sie es.
2. Stellen Sie die Maschine auf einen flachen, sauberen und trockenen Tisch. Drücken Sie den Kopf der Maschine, drehen Sie erneut Kopf-hoch-Knopf (2) Schritt 1, der Oberkörper hebt sich automatisch. (PG 1 & 2).
3. Installieren Sie den Topfdeckel in das Rührende der Maschine (Schritt 2) gemäß PG2
- 4 . Wiegen Sie die zu verarbeitenden Lebensmittel und das Wasser in die Rührschüssel, montieren Sie dann die Rührschüssel (4) auf der Maschine (Schritt 3) und drehen Sie sie im Uhrzeigersinn, bis die Schnalle eingeschraubt und verriegelt ist (Schritt 4 ). (PG3)
5. Überschreiten Sie nicht die Teigmenge – das Gesamtgewicht kann bis zu 1,5 kg betragen;
6. Montieren Sie die erforderlichen Zubehörteile (5), (6) und (7) (es kann immer nur eines der drei verwendet werden) auf der Mischkopf-Ausgangswelle (1). Schritt 5 , drücken Sie das Zubehör nach oben und drehen Sie es dann eine Vierteldrehung gegen den Uhrzeigersinn in die Verriegelungsposition Schritt 6 ; (PG4&5)
7. Drücken Sie auf den Kopf der Maschine, die Maschine sperrt automatisch den Kopfkopf (2) Schritt 7 , der sich in der horizontalen Position befindet; (PG6)。
8. Stecken Sie dann den Stecker ein und schalten Sie den Netzschalter ein.
9. Stellen Sie den Geschwindigkeitsregler (3) auf die gewünschte Geschwindigkeit ein – beginnen Sie mit dem Mischen .
- 1 0 .Wenn der Teig den Anforderungen entspricht, drehen Sie den Geschwindigkeitsregler (3) zurück auf Gang 0, um den Vorgang abzuschließen.
- 1 1 . Drücken Sie mit der Hand auf den Kopf der Maschine, drehen Sie den Hebeknopf (2) im Uhrzeigersinn, heben Sie den oberen Körper an, drehen Sie die Rührschüssel gegen den Uhrzeigersinn, entfernen Sie die Rührschüssel und nehmen Sie den Teig heraus.
12. Schalten Sie das Gerät aus und trennen Sie es von der Stromversorgung, bevor Sie Zubehörteile wechseln oder sich im Betrieb beweglichen Teilen nähern.



## Anregung

Einstellen der Ebenen und Verwenden des Hakens für maximal 1,5 kg Mischung

| Zubehör   | Bild  | Geschwindigkeit | Zeit (min) | Maximal                 | Betriebsmethode  |
|-----------|---|-----------------|------------|-------------------------|--|
| Knethaken |  | 1- 3            | 3-5        | 1000g Mehl+538 g Wasser | 1 Geschwindigkeitslauf für 30 Sekunden, 2 Geschwindigkeitläufe für 30 Sekunden und dann 3 Geschwindigkeitläufe für 2 bis |

|             |   |     |      |                           |   |
|-------------|---|-----|------|---------------------------|---|
|             |   |     |      |                           | 4 Minuten, um einen Cluster zu bilden.  |
| Schläger    |  | 2-4 | 3-10 | 660 g Mehl + 840 g Wasser | 2-Gang-Lauf für 20 Sekunden, der 4-Gang-Lauf für mehr als 2 Minuten und 40 Sekunden |
| Schneebesen |  | 5-6 | 3-10 | 3 Eiweiß (min)            | Öffnen Sie die 5. oder 6. Geschwindigkeit, um 3 Minuten darüber zu laufen.          |

### Verwendung und Tipps für Mixer :

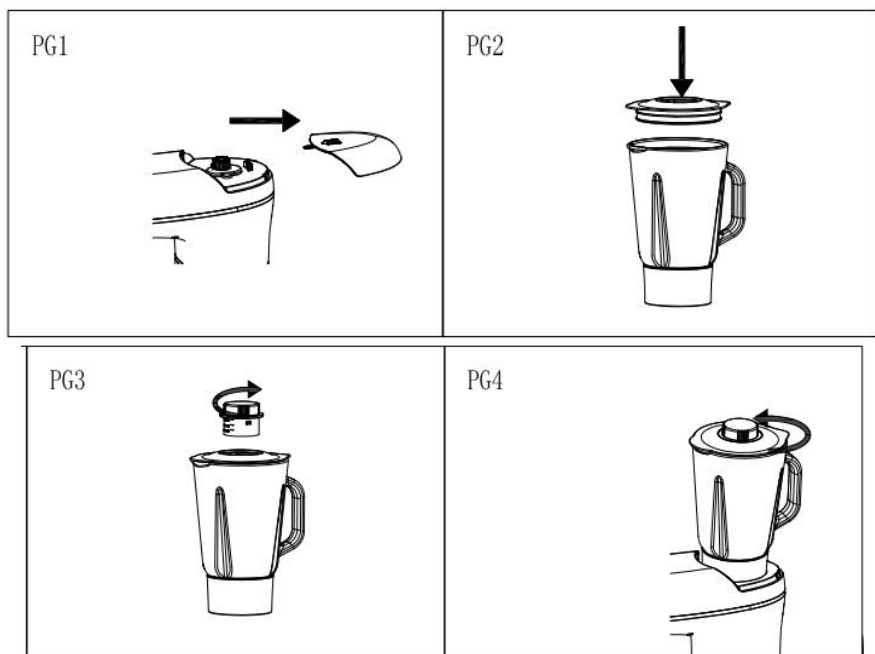
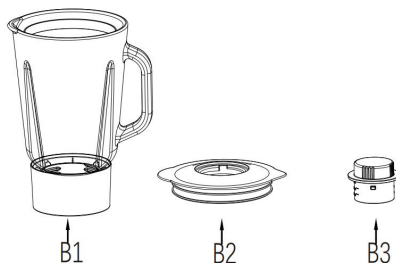
Mit dem Mixer können Sie Lebensmittel mixen. Mit diesem Küchengerät können Sie Suppen, Soßen, Milchshakes, Babynahrung, Gemüse, Getränke, Desserts, Pürees usw. zubereiten. Feste Lebensmittel sollten in kleine Stücke geschnitten werden.

### Vorsicht :

- 1) Stecken Sie den Mixer vor der Verwendung nicht ein. Stellen Sie vor der Inbetriebnahme sicher, dass der Mixer korrekt installiert ist und der Deckel sicher aufgesetzt ist.
- 2) Ziehen Sie nach Abschluss den Stecker und entfernen Sie die Mixbecher vom Gerät.
- 3) Bitte geben Sie keine Lebensmittel über 80 °C in die Tasse.
- 4) Optimum-Flüssigkeit beträgt nicht mehr als 1,5 l.
- 5) Befestigen Sie den Deckel auf dem Becher.
- 6) Entfernen Sie während des Betriebs nicht den Mixbecher oder Deckel.
- 7) Lassen Sie den Mixer nicht länger als 3 Minuten laufen.

### So montieren Sie den Mixbecher :

- 1 ) Den kleinen Deckel abnehmen (folgend PG1.A) oder die Ringschnalle drehen (folgend PG1.B). PG1
- 2 ) Setzen Sie den Deckel B2 auf den Mixbecher B1 (gefolgt von PG2).
- 3 ) B3 in B2 stecken und anschrauben (nachfolgend PG3).
- 4 ) Wenn alles fertig ist, drehen Sie das Glas im Uhrzeigersinn und schrauben Sie es auf die Basis (folgen Sie PG4).



|               |             |                     |
|---------------|-------------|---------------------|
| B1: Mixbecher | B2 : Deckel | B3: Schließzylinder |
|---------------|-------------|---------------------|

### Aufmerksamkeit :

Fügen Sie Zutaten hinzu, indem Sie während des Betriebs den Schließzylinder entfernen. Bitte seien Sie während des Betriebs besonders vorsichtig. Ziehen Sie anschließend den Stecker. Spülen Sie den Behälter nach Gebrauch aus.

### **Demontageverfahren nach Gebrauch :**

- 1) Gegen den Uhrzeigersinn auf 0-Niveau drehen und den Stecker ziehen.
- 2) Schrauben Sie das Glas ab und stellen Sie es auf den Tisch.
- 3) Nehmen Sie B2 mit der Hand heraus.
- 4) Halten Sie den Glasgriff mit einer Hand, halten Sie den Glaskörper mit der anderen Hand und kippen Sie das Glas langsam, um die Flüssigkeit auszugießen.

### **Empfohlene Tipps :**

Entfernen Sie Kerne und Schale der Frucht, zerkleinern Sie die Mischung, geben Sie sie in eine Tasse und geben Sie Wasser hinzu. Die optimale Menge an Lebensmitteln beträgt 600 g, die Wassermenge 900 g. Überschreiten Sie nicht die maximale Füllmenge des Saftbechers. Setzen Sie den Deckel auf und schrauben Sie den Behälter auf den Mixer. Schließen Sie das Gerät an und stellen Sie die Geschwindigkeit auf Stufe 4–6. Schalten Sie das Gerät nach 3 Minuten aus, um die optimale Leistung des Geräts zu gewährleisten. Die Gesamtbetriebszeit sollte 15 Minuten nicht überschreiten.

Um eine gute Leistung der Maschine zu gewährleisten, darf die Gesamtbetriebszeit 15 Minuten nicht überschreiten.

## **Fleischwolf Funktion**

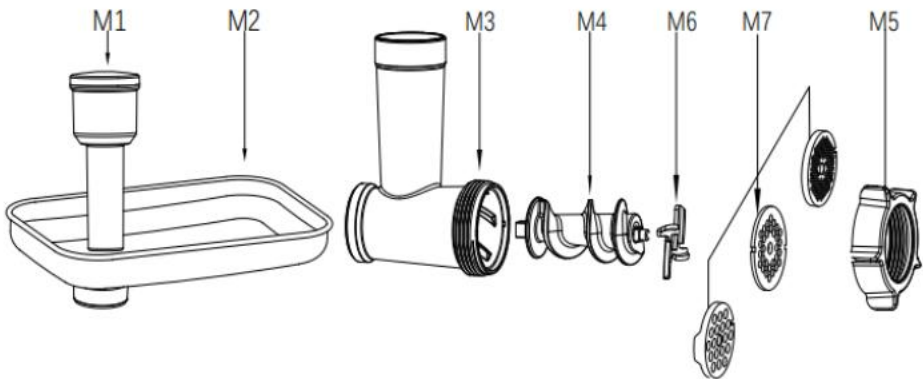
### **So montieren und verwenden Sie den Fleischwolf :**

- 1) Um das Fleischwolfzubehör zu installieren, installieren Sie zuerst die Fleischwolfklinge M6 auf dem Kopf der Fleischwolfschraube M4, setzen Sie den gewünschten Fleischwolfschneider M7 (grobes Loch, mittleres Loch oder feines Loch) auf, achten Sie darauf, die Nut zwischen dem Fleischwolfsieb M7 und dem Fleischwolf M3 auszurichten, und ziehen Sie die Kontermutter M5 am Fleischwolf M3 fest. (PG1)
- 2) Demontieren Sie die Frontabdeckung (PG2).
- 3) Drücken Sie die Auswurf Taste an der Vorderseite der Maschine, halten Sie den Fleischwolf M 3 fest, verbinden Sie ihn mit dem Getriebeteil der Frontabdeckung und drehen Sie ihn gegen den Uhrzeigersinn in die Verriegelungsposition. (P G 3)
- 4) Richten Sie die Auslassöffnung des Tablett M 2 auf die Zufuhröffnung des Fleischwolfs M 3 aus und installieren Sie es an Ort und Stelle ( PG 4).

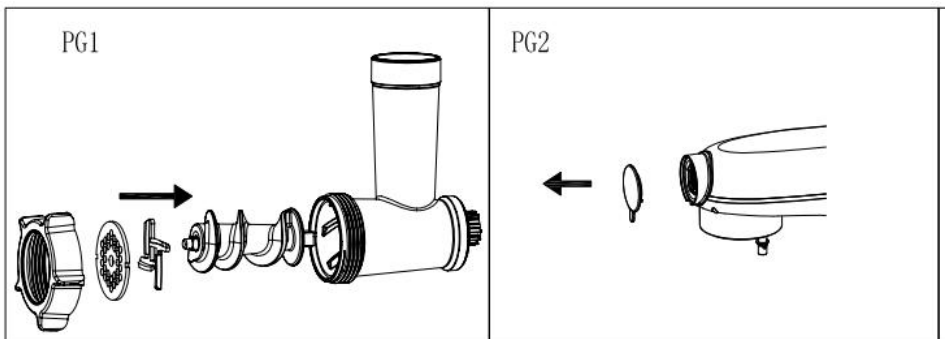
5) Stellen Sie einen Behälter an den Ausgang des Fleischwolfs. Reinigen Sie das Schweinefleisch und schneiden Sie es in Streifen. Die Breite sollte den Einfüllstutzen des Tablett M2 nicht überschreiten.

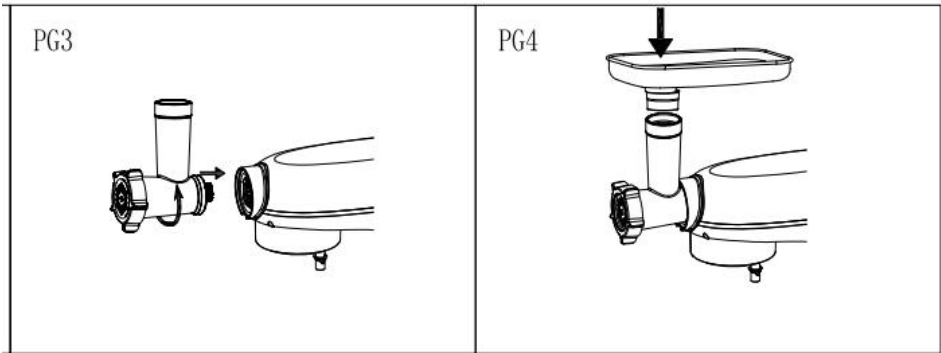
6) Stecken Sie den Netzstecker in die Steckdose. Stellen Sie den Geschwindigkeitsregler auf die gewünschte Geschwindigkeit ein, legen Sie das Fleisch auf die Schale M2 und schieben Sie es in die Einfüllöffnung. Drücken Sie das Fleisch mit dem Stopfer M1 langsam in die Einfüllöffnung des Fleischwolfs. Stecken Sie Ihre Finger nicht in den Fleischwolf M3.

7) Nach Gebrauch auf Stufe 0 schalten und den Stecker ziehen.



|    |               |    |             |
|----|---------------|----|-------------|
| M1 | Pusher        | M5 | Hackschloss |
| M2 | Tablett       | M6 | Klinge      |
| M3 | Helix-Gehäuse | M7 | Sieb        |
| M4 | Wendel        |    |             |





### Rezeptvorschläge:

Sie den Knochen aus dem Fleisch und schneiden Sie es in 2,5 cm große Stücke. Stecken Sie den Stecker in die Steckdose, stellen Sie die Geschwindigkeit auf 3–6 und geben Sie das Fleisch in den Behälter. Das Gerät kann kontinuierlich mit 3 kg Fleisch arbeiten. Bitte beenden Sie den Betrieb nach 5 Minuten, nicht nach 15 Minuten. So wird die Leistung der Maschine nicht beeinträchtigt.

## Rezept

### Leinsamenbrötchen

Zutaten: 30 g Leinsamen, 40 g Wasser, 250 g Brotmehl, 3 g Trockenhefe, 30 g Zucker, 3 g Salz, 10 g Milchpulver, 20 g Butter, 15 g Eierflüssigkeit

Verfahren:

1. Weichen Sie die 30 g Leinsamen 12 Stunden lang in 40 g Wasser ein
2. 250 g Mehl, 3 g Trockenhefe, 30 g Zucker, 3 g Salz, 10 g Milchpulver, 150 g Wasser in die Rührschüssel geben und mit dem Knethaken auf Stufe 1-3 zu einem glatten Teig verkneten. 20 g Butter hinzufügen und weiterkneten, bis der Teig glatt ist. Anschließend eingeweichte Leinsamen hinzufügen, bis der Teig gut durchgeknetet ist. Mit Frischhaltefolie abdecken und an einem warmen Ort auf die doppelte Größe gehen lassen.
3. Noch einmal gut durchkneten, aus der Schüssel nehmen und in sechs Brötchen teilen. Nach dem Formen die Brötchen abdecken und bei 38°C 1 Stunde gehen lassen.
4. Nach der Gärung die Oberfläche des Brotes mit Eiflüssigkeit bestreichen, auflegen vorletzte Schicht in den vorgeheizten Backofen geben, bei 180°C Ober- und Unterhitze 20 Minuten backen, dann aus der Form nehmen und zum Abkühlen auf den Grill legen.

### Toastbrot

Zutaten: 270 g Mehl mit hohem Glutengehalt, 30 g Mehl mit niedrigem Glutengehalt, 1 Ei, 3 g Salz, 55 g Zucker, 4 g Hefe, 80 g leichte Sahne, 10 g Milchpulver, 90 g Wasser.

Verfahren:

1. Alle Zutaten in die Rührschüssel geben, mit dem Knethaken auf Stufe 1-3 zu einem Teig verkneten.
2. Bewahren Sie die Mischung an einem warmen Ort auf und lassen Sie sie durch Gären auf die doppelte Größe aufgehen.
3. Noch einmal gründlich durchkneten, aus der Schüssel nehmen und in 3 Portionen teilen, den Teig 15 Minuten mit Frischhaltefolie abdecken
4. Nehmen Sie eine Portion und rollen Sie sie zu einer Zunge, falten Sie beide Seiten zur Mitte und rollen Sie sie von unten nach oben auf. Nachdem alle drei Rollen gerollt sind, decken Sie die Rollen für 15 Minuten mit Frischhaltefolie ab.
5. Nachdem Sie 3 Portionen fertiggestellt haben, geben Sie sie für die 2. Gärung in die Form und lassen Sie sie bis zu 80 % der Formhöhe gären. Stellen Sie das Feuer auf 170 °C ein und backen Sie es 40 Minuten lang. Nehmen Sie dann die Form heraus und legen Sie sie zum Abkühlen auf den Grill.

### **Hausgemachte Pizza**

Rohstoffe: 170 g Mehl mit hohem Glutengehalt, 100 g Wasser, 1,5 g Speisesalz, 15 g weißer Zucker, 2 g Hefe, 15 g Butter und etwas Füllung.

Verfahren:

1. 170 g Mehl mit hohem Glutengehalt, 100 g Wasser, 1,5 g Speisesalz, 15 g Zucker und 2 g Hefe in die Rührschüssel geben. Mit dem Knethaken auf Stufe 1-3 verrühren. Nach dem Einkneten Butter hinzufügen und weiterkneten, bis sich der Teig zu einem elastischen Film ausziehen lässt.
2. Den Teig an einem warmen Ort auf die doppelte Größe aufgehen lassen.
3. Während der Gärung kann die Pizzafüllung zubereitet und für die spätere Verwendung aufbewahrt werden.
4. Noch einmal gründlich durchkneten, die Hälfte des Teiges nehmen, rund ausrollen und 5 Minuten ruhen lassen, dann mit einem Nudelholz vorsichtig auf die Größe eines Pizzablechs ausrollen, auf das Pizzablech legen, mit den Händen rund um das Pizzablech andrücken und zum Schluss mit einer Gabel kleine Löcher einstechen.
5. Stellen Sie den Heizmodus für die oberen und unteren Rohre des Ofens ein und heizen Sie ihn auf 200 °C vor. Bestreichen Sie den Boden der Kuchenform zuerst mit Olivenöl, geben Sie dann die Pizzasauce darauf und verteilen Sie sie gleichmäßig. Streuen Sie anschließend etwas Mozzarella und geriebene Zwiebeln darüber, legen Sie die 8-Zoll-

Pizzapfanne in die zweite Ebene des vorgeheizten Ofens und backen Sie sie 8 Minuten lang.

6. Wenn die Zeit abgelaufen ist, nehmen Sie die Pizzapfanne heraus und verteilen Sie eine Schicht Speck. Hier können Sie Ihr Lieblingsessen und die vorbereitete Füllung in Ordnung bringen.

7. In den vorgeheizten Backofen geben und die Backzeit auf 15 Minuten einstellen, bis der Käse geschmolzen und die Kruste goldbraun ist.

#### Butterbrot

Zutaten: 375 g Mehl mit hohem Glutengehalt, 180 g Milch, 35 g Butter, 30 g Zucker, 11 g Milchpulver, 4 g Hefe, 3 g Salz, 1 Ei

Verfahren:

1. Alle Zutaten außer der Butter in die Rührschüssel geben und 10 g Ei für das abschließende Bestreichen übrig lassen.

2. Mit dem Knethaken auf Stufe 1-3 verrühren, nach dem Formen des Teigs weiche Butter hinzufügen und weiterkneten, bis eine glatte Masse entsteht.

3. Decken Sie die Mischung mit einer Frischhaltefolie ab und lassen Sie sie an einem warmen Ort gären, bis sie auf die doppelte Größe aufgeht.

4. Den Teig nochmals gut durchkneten, aus der Schüssel nehmen und in 10 Portionen teilen. Eine Portion Teig nehmen, zu einem Oval ausrollen und anschließend von oben nach unten aufrollen.

5. Legen Sie das gefettete Papier auf das Backblech, legen Sie dann den ausgerollten Brotteig auf das Blech und lassen Sie ihn an einem warmen Ort auf die doppelte Größe aufgehen.

6. Bestreichen Sie die Oberfläche des Brotteigs mit der Eierflüssigkeit, heizen Sie den Ofen auf 160 °C vor, legen Sie den Brotteig in die mittlere Schicht und backen Sie ihn 20 Minuten lang.

#### Französisches Brot

Zutaten: 250 g Mehl mit hohem Glutengehalt, 50 g Mehl mit niedrigem Glutengehalt, 150 g Wasser, 10 g Zucker, 3 g Hefepulver, 1 g Speisesalz.

Verfahren:

1. Alle Zutaten in die Rührschüssel geben, mit dem Knethaken auf Stufe 1-3 verrühren und den Teig zu einer Teigform kneten.

2. Decken Sie die Mischung mit einer Frischhaltefolie ab und lassen Sie sie an einem warmen Ort gären, bis sich ihre Größe verdoppelt hat.

3. Den Teig nochmals gut durchkneten, aus der Schüssel nehmen und in 4 Portionen teilen. Eine Portion Teig nehmen, zu einem Oval ausrollen und anschließend von oben nach unten aufrollen.

4. Anschließend mit Frischhaltefolie abdecken und durch Gären auf die doppelte Größe kommen lassen.

5. Die Oberfläche mit Sesamöl bestreichen, den Backofen auf 180 °C vorheizen, den Brotteig in die mittlere Schicht geben und 20 Minuten backen.

### **Origineller Kuchen**

Zutaten: 100 g Kuchenmehl, 5 Eier, 50 g Speiseöl, 80 g Zucker, eine kleine Menge Zitronensaft, 55 g Milch.

Verfahren:

1. Eiweiß und Eigelb trennen, 20 g Zucker zum Eigelb geben und mit dem Schneebesen auf Stufe 6 verrühren, bis der Zucker vollständig geschmolzen ist. Milch hinzufügen und auf Stufe 6 weiter gleichmäßig rühren.
2. Gießen Sie Speiseöl hinzu und schlagen Sie weiter, bis es vollständig emulgiert ist.
3. Das Kuchenmehl durch ein Sieb gießen und gleichmäßig zu einer feinen Eigelbpaste verrühren.
4. Geben Sie einige Tropfen Zitronensaft in das Eiweiß, geben Sie dreimal Zucker hinzu und schlagen Sie es mit einem Schneebesen, bis es watteartig ist.
5. 1/3 des Eiweißes nehmen, in die Eigelbpaste geben und gleichmäßig verrühren, die Paste wieder zum restlichen Eiweiß geben und gleichmäßig zu einem feinen Kuchenteig verrühren
6. Streichen Sie Speiseöl auf die Oberfläche der Kuchenform und gießen Sie dann die Kuchenpaste in die Form
7. Heizen Sie den Ofen auf 150 °C vor, stellen Sie die Heizstufe für die obere und untere Röhre sowie die Backzeit auf 50 Minuten ein und backen Sie das Gericht dann, bis es goldbraun ist.

### **Schokoladenkuchen**

Zutaten: 150 g Eierflüssigkeit, 50 g reine Milch, 40 g Kakaopulver, 80 g weißer Zucker.

Verfahren:

1. 150 g Eiflüssigkeit hinzufügen, mit dem Schneebesen auf Stufe 6 schlagen, bis eine watteartige Masse entsteht, dann herausnehmen und beiseite stellen
2. 80 g weißen Zucker, 50 g Milch und 40 g Kakaopulver in eine Schüssel geben und mit einem Rührpaddel auf Stufe 6 zu einem feinen Pulver verrühren.
3. Das vorbereitete feine Pulver in die geschlagene Eiflüssigkeit geben und gut verrühren.
4. Gießen Sie die gemischten Rohstoffe in die mit Öl bestrichene Backblechform und stellen Sie diese zum Backen bei 180 °C in den Ofen.

5. Nach dem Backen und Formen nehmen Sie sie aus der Form und warten Sie, bis sie abgekühlt sind, bevor Sie sie essen

### **Schokoladeneiskuchen**

Zutaten: 140 g Frischkäse, 140 g dunkle Schokolade, 220 g Milch, 100 g Puderzucker, 240 g Schlagsahne, 2 g Speisesalz.

Verfahren:

1. Die Außenseite der quadratischen Form wird mit Alufolie umwickelt und ein Kreis aus Backpapier hineingelegt
2. Puderzucker und eine Prise Salz zum Frischkäse geben und mit einem Rührpaddel verrühren.
3. Die dunkle Schokolade hacken und zum Schmelzen erhitzen. Die geschmolzene Schokolade zum Käse geben und mit einem Rührpaddel gleichmäßig verrühren. Herausnehmen und zur späteren Verwendung auf ein Tablett legen.
4. Schlagsahne in den Topf geben und rühren, bis sie fast watteartig ist.
5. Die Schlagsahne in zwei Portionen zum Schokoladenkäse geben und gleichmäßig verrühren, dann die Milch in zwei Portionen dazugießen und nochmals gut verrühren.
6. Zum Schluss in die Form gießen und für mehrere Stunden in den Kühlschrank stellen. Herausnehmen und aus der Form lösen.

## **Analyse häufiger Probleme**

| <b>Phänomene</b>  | <b>Ursachen</b>   | <b>Lösungen</b>  |
|---|---|--|
| Die Maschine funktioniert während des Gebrauchs plötzlich nicht mehr. | Es kann sein, dass die Maschine zu lange läuft oder die Umgebungstemperatur zu hoch ist, wodurch die Motortemperatur der Maschine zu hoch wird. Die Maschine startet das Überhitzungsschutzprogramm und schaltet sich automatisch ab. | Stellen Sie den Gang auf „0“ zurück, ziehen Sie den Netzstecker und warten Sie, bis die Maschine wieder Raumtemperatur erreicht hat, bevor Sie sie neu starten können (im Allgemeinen dauert es 15–30 Minuten, die Abkühlzeit variiert je nach |

|  |   |   |
|--|---|---|
|  |   | Raumtemperatur).  |
| Durch Drehen des Schaltknaufs läuft die Maschine nicht | Prüfen Sie, ob der Stecker guten Kontakt mit der Steckdose hat.   | Stellen Sie sicher, dass der Netzstecker in die Steckdose eingesteckt ist.  |
|  | Überprüfen Sie, ob der Strom ausgefallen ist.   | Warten Sie, bis die Stromversorgung wieder hergestellt ist, bevor Sie den Betrieb aufnehmen.  |
|  | Überprüfen Sie, ob der Aufwärtsknopf wieder in seine Position zurückspringt.  | Stellen Sie sicher, dass der Spindelstock fest sitzt.   |
| Übermäßiger Lärm bei laufender Maschine                | <p>① Die Maschine arbeitet im hohen Gang lauter als im niedrigen.</p> <p>② Die Menge der gerührten Lebensmittel ist zu groß, was zu einer Überlastung der Maschine führt.</p> <p>③ Die Spannung ist instabil.</p> <p>④ Die Arbeitszeit ist zu lang.</p> | <p>① Wählen Sie das richtige Gerät zum Umrühren von Lebensmitteln gemäß den Empfehlungen im Handbuch</p> <p>② Reduzieren Sie die Rührmenge.</p> <p>③ Wenn die Spannung instabil ist, warten Sie vor der Verwendung, bis sich die Spannung</p> |

|   |   |  |
|---|---|--|
|   |   | <p>stabilisiert hat.</p> <p>④ Wenn die Arbeitszeit zu lang ist, unterbrechen Sie das Gerät und lassen Sie es vor der Verwendung eine Weile abkühlen.</p>   |
| <p>Die Maschinengeschwindigkeit sinkt oder die Geschwindigkeit ist instabil</p> | <p>① Ob die Raumtemperatur niedrig ist, wodurch das Schmiermittel in der Maschine aushärtet.</p> <p>② Die Zutaten werden zu hart und zu viel gerührt, was zu einer Überlastung der Maschine führt.</p> <p>③ Ob die Spannung plötzlich niedrig wird.</p> | <p>① Entfernen Sie die Rührschüssel und lassen Sie die Maschine 5 Minuten im Leerlauf laufen, um das Schmiermittel in der Maschine aufzuweichen und die Geschwindigkeitsstabilität wiederherzustellen.</p> <p>② Reduzieren Sie das Mischvolumen und lassen Sie die Maschine entsprechend der normalen Arbeitsbelastung arbeiten.</p> <p>③ Wenn die Spannung stabil ist, verwenden Sie die Maschine erneut.</p> |
| <p>Maschine schwankt und wackelt während des Betriebs</p>                       | <p>① Überprüfen Sie, ob das Fußpolster an der Basis abgenommen ist.</p> <p>② Ob die Maschine zur Verwendung auf einer glatten und ebenen Arbeitsplatte platziert wird.</p>  | <p>① Überprüfen Sie, ob das Fußpolster an der Basis abgenommen ist.</p> <p>② Zur Verwendung auf eine glatte und ebene Arbeitsplatte legen</p>  |

|  |  |  |
|--|--|--|
| <p>Der Spindelstock kann nach dem Aufsetzen der Spritzschutzabdeckung und der Rührschüssel nicht zurückfedern, um ihn zurückzusetzen</p> | <p>Überprüfen Sie, ob die Spritzschutzabdeckung angebracht und die Rührschüssel zusammengesetzt ist.</p> | <p>Drehen Sie die Spritzschutzabdeckung und montieren Sie sie an Ort und Stelle, und montieren Sie den Mixtopf an Ort und Stelle.</p>        |
| <p>Nach Gebrauch wurde eine Verdunkelung des Teigs festgestellt</p>  | <p>Am Mischkopf fällt schwarzes Pulver auf den Teig.</p>   | <p>Bitte prüfen Sie vor der Verwendung, ob Mischkopf und Haken trocken sind und sich kein Wasser oder Staub auf der Oberfläche befindet.</p> |

## Reinigung

|                        |  |
|------------------------|--|
| <p>Körperreinigung</p> | <ol style="list-style-type: none"> <li>1. Tauchen Sie die Maschine nicht ins Wasser. Verwenden Sie kein Wasser zum Duschen direkt auf der Maschine, um zu verhindern, dass der Wirtskörper ins Wasser gelangt, um Kurzschlüsse, Stromschläge, Leckagen, Rost und andere Fehler zu vermeiden.</li> <li>2. Verwenden Sie kein tropfnasses Handtuch, um die Maschine abzuwischen</li> <li>3. Verwenden Sie zum Reinigen des Maschinengehäuses keine Reinigungsmittel/Essig/Salz und andere ätzende, stark saure oder stark alkalische Reinigungsmittel, da sonst die Oberfläche der Maschine beschädigt werden kann.</li> <li>4. Verwenden Sie zum Bürsten des Zubehörs keine scharfen und rauen Werkzeuge wie Drahtkugeln. Andernfalls kann die Oberfläche des Zubehörs leicht beschädigt werden.</li> </ol> |
|------------------------|--|

|                      |  |
|----------------------|--|
| Zubehörrreinigung    | <ol style="list-style-type: none"> <li>1. Die Aluminiumussteile dürfen nicht in die Spülmaschine gegeben und nicht mit ätzenden, stark sauren oder alkalischen Reinigungsmitteln gereinigt werden. Bitte geben Sie sie nicht zur Reinigung in die Spülmaschine. (Ausgenommen sind Edelstahlteile, oberflächenbehandelte Teflonteile und Elektrophoreseteile.)</li> <li>2. Nicht für längere Zeit in Reinigungsmittel, Salzwasser, Essig oder anderen ätzenden Flüssigkeiten einweichen; rechtzeitig zum Reinigen des Zubehörs verwenden.</li> <li>3. Trocknen Sie das Zubehör nach der Reinigung, vor allem, um die Innenteile rechtzeitig trocken zu halten.</li> </ol> |
| Spezialreinigung     | <ol style="list-style-type: none"> <li>1. Die rotierende Abtriebswelle erzeugt aufgrund der hohen Geschwindigkeit und Reibung beim Betrieb der Maschine eine leichte schwarze Spur. Reinigen Sie sie nach jedem Gebrauch umgehend und halten Sie das Teil trocken.</li> <li>2. Achten Sie auf die scharfe Klinge und zugehörige scharfkantige Teile oder Zubehörteile.</li> </ol>  |
| Erhaltung und Pflege | <ol style="list-style-type: none"> <li>1. Sie können Olivenöl auf die Klingeoberfläche, die Messerplatte und den Mixtopf auftragen, um eine trockene und feuchte Umgebung für die Oxidation zu gewährleisten.</li> <li>2. Wenn Sie die Maschine nicht verwenden, können Sie sie mit einem Verpackungsbeutel abdecken und an einem trockenen Ort aufbewahren.</li> </ol>  |

**Hersteller:** Shanghai muxinmuyeyouxiangongsi

**Adresse:** Shuangchenglu 803nong11hao1602A-1609shi, baoshanqu, Shanghai 200000 CN.

**Importiert nach AUS:** SIHAO PTY LTD. 1 ROKEVA  
STREETEASTWOOD

NSW 2122 Australien

**Importiert in die USA:** Sanven Technology Ltd. Suite 250, 9166 Anaheim

Place, Rancho Cucamonga, CA 91730

|           |            |
|-----------|------------|
| <b>UK</b> | <b>REP</b> |
|-----------|------------|

YH CONSULTING LIMITED. C/O YH Consulting  
Limited Office 147, Centurion House, London  
Road, Staines-upon-Thames, Surrey, TW18 4AX

|           |            |
|-----------|------------|
| <b>EC</b> | <b>REP</b> |
|-----------|------------|

E-CrossStu GmbH  
Mainzer Landstr.69,  
60329 Frankfurt am Main.



# VEVOR

**Affordable. Reliable. Home Improvement.**

**Impastatrice planetaria**

**Modello: SM-1503BM**

# VEVOR




Affordable. Reliable. Home Improvement.

## Stand Mixer

**Modello: SM-1503BM**



Queste sono le istruzioni originali, si prega di leggere attentamente tutte le istruzioni del manuale prima dell'uso. VEVOR si riserva la piena interpretazione del proprio manuale utente. L'aspetto del prodotto dipenderà dal prodotto ricevuto. Vi preghiamo di scusarci se non vi informeremo più in caso di aggiornamenti tecnologici o software sul nostro prodotto.

|   |   |
|---|---|
|  | <p>Avvertenza: per ridurre il rischio di lesioni, l'utente deve leggere attentamente il manuale di istruzioni.</p>  |
|   | <p>Attenzione: solo per uso interno</p>   |
|   | <p style="text-align: center;"><b>SMALTIMENTO CORRETTO</b></p> <p>Questo prodotto è soggetto alle disposizioni della Direttiva Europea 2012/19/CE. Il simbolo raffigurante un bidone della spazzatura barrato attraverso indica che il prodotto richiede rifiuti separati raccolta nell'Unione Europea. Ciò vale per il prodotto e tutti gli accessori contrassegnati con questo simbolo. Prodotti contrassegnati come tale non può essere smaltito con i normali rifiuti domestici, ma devono essere portati in un punto di raccolta per il riciclaggio di apparecchiature elettriche ed dispositivi elettronici</p> |

## Istruzioni generali di sicurezza

**Leggere attentamente le istruzioni per l'uso prima di mettere in funzione l'apparecchio e conservarle insieme alla garanzia, allo scontrino e, se possibile, alla scatola con l'imballaggio interno. Se si cede l'apparecchio a terzi, si prega di consegnare anche le istruzioni per l'uso.**

- L'apparecchio è progettato esclusivamente per uso privato e per lo scopo previsto. Questo apparecchio non è adatto all'uso commerciale. Non utilizzarlo all'aperto (tranne se è progettato per l'uso all'aperto). Tenerlo lontano da fonti di calore, luce solare diretta, umidità (non immergerlo mai in liquidi) e bordi taglienti. Non utilizzare l'apparecchio con le mani bagnate. Se l'apparecchio è umido o bagnato, scollegarlo immediatamente dalla presa di corrente.
- Quando si pulisce o si ripone l'apparecchio, spegnerlo e staccare sempre la spina dalla presa di corrente (tirare la spina, non il cavo) se l'apparecchio non è in uso e rimuovere gli accessori montati.

- Non utilizzare la macchina senza supervisione. Se si abbandona il luogo di lavoro, spegnere sempre la macchina o staccare la spina dalla presa (tirando la spina, non il cavo).
- Controllare regolarmente l'apparecchio e il cavo per verificare la presenza di danni. Non utilizzare l'apparecchio se danneggiato. Non tentare di ripararlo autonomamente. Contattare sempre un tecnico autorizzato. Se il cavo di alimentazione è danneggiato, deve essere sostituito dal produttore, dal suo servizio di assistenza o da personale qualificato per evitare pericoli.
- Utilizzare solo pezzi di ricambio originali.
- Prestare particolare attenzione alle seguenti "Istruzioni speciali di sicurezza".

### **Bambini e individui fragili**

- Per garantire la sicurezza dei vostri bambini, tenete tutti gli imballaggi (sacchetti di plastica, scatole, polistirolo ecc.) fuori dalla loro portata. Attenzione! Non permettere ai bambini piccoli di giocare con la pellicola: pericolo di soffocamento!
- Quando si utilizzano gli accessori frullatore e tritatutto, l'apparecchio non deve essere utilizzato dai bambini. Tenere l'apparecchio e il relativo cavo fuori dalla portata dei bambini.
- Questo dispositivo non è un giocattolo. I bambini non devono giocare con l'apparecchio.
- Gli apparecchi possono essere utilizzati da persone con ridotte capacità fisiche, sensoriali o mentali o prive di esperienza e conoscenza se hanno ricevuto supervisione o istruzioni riguardanti l'uso dell'apparecchio in modo sicuro e se comprendono i pericoli coinvolti.

### **Istruzioni di sicurezza speciali per questa macchina**

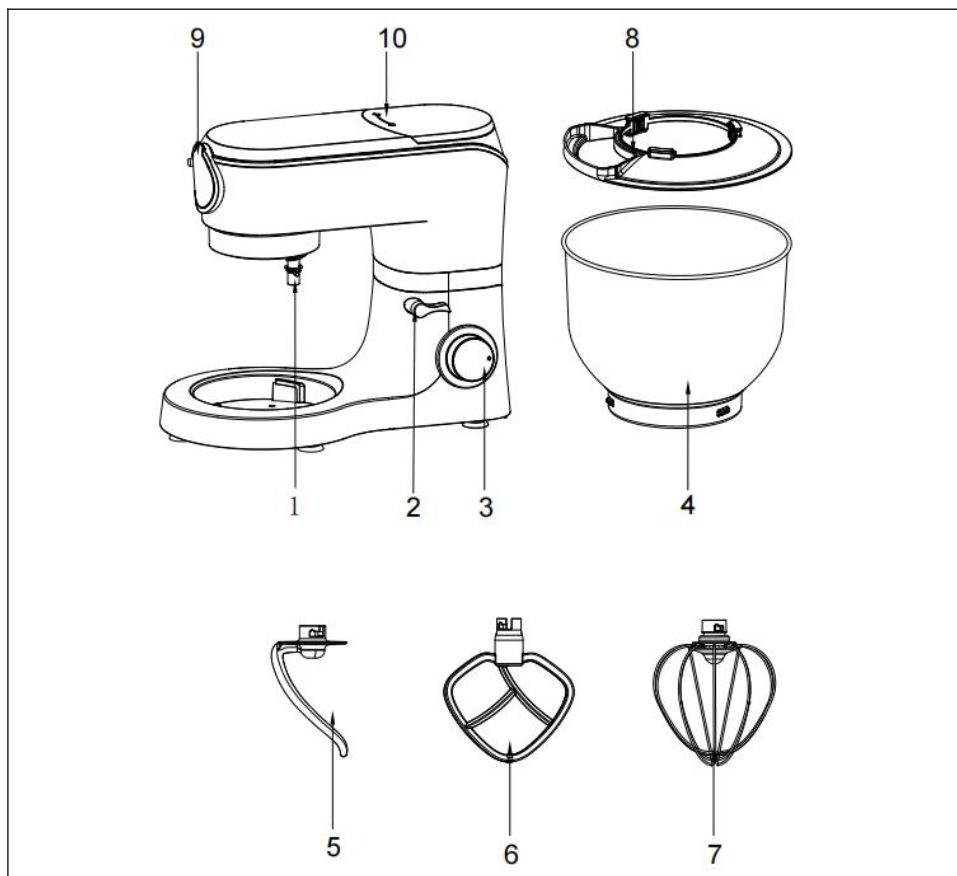
- Scollegare sempre l'apparecchio dall'alimentazione se lasciato incustodito e prima di montarlo, smontarlo o pulizia.
- Spegnere l'apparecchio e scollegarlo dall'alimentazione prima di cambiare gli accessori o di avvicinarsi a parti che spostare durante l'uso. Non utilizzare l'apparecchio per scopi diversi da quelli previsti .
- **ATTENZIONE:** Per evitare pericoli dovuti al ripristino involontario del dispositivo di protezione termica, questo apparecchio deve non essere alimentato tramite un dispositivo di commutazione esterno, come un timer, o collegato a un circuito che viene regolarmente acceso e spento dall'azienda di servizi.
- Utilizzare questa macchina solo sotto supervisione.
- Non manomettere gli interruttori di sicurezza.
- Non inserire nulla nei ganci rotanti mentre la macchina è in funzione.

- Posizionare la macchina su una superficie di lavoro liscia, piana e stabile.
  - Non inserire la spina di alimentazione della macchina nella presa di corrente senza aver installato tutti gli accessori necessari.
  - -Questo apparecchio non è destinato all'uso da parte di persone (bambini compresi) con ridotte capacità fisiche, sensoriali o mentali, o prive di esperienza e conoscenza, a meno che non siano state supervisionate o istruite sull'uso dell'apparecchio da una persona responsabile della loro sicurezza.
  - - I bambini devono essere sorvegliati per assicurarsi che non giochino con l'apparecchio
  - -Questo apparecchio può essere utilizzato da bambini di età pari o superiore a 8 anni e da persone con capacità fisiche, sensoriali o mentali ridotte o prive di esperienza e conoscenza, se supervisionati o istruiti sull'uso sicuro dell'apparecchio e se ne comprendono i pericoli.
  - -Se il cavo di alimentazione è danneggiato, deve essere sostituito dal produttore, dal suo agente di assistenza o da persone qualificate in modo simile per evitare pericoli
  - - Questo apparecchio è destinato all'uso domestico e in applicazioni simili, quali: – aree cucina per il personale in negozi, uffici e altri ambienti di lavoro; – case coloniche; – da clienti in hotel, motel e altri ambienti residenziali; – ambienti tipo bed and breakfast.
  - - Questo apparecchio non deve essere utilizzato dai bambini. Tenere l'apparecchio e il suo cavo fuori dalla portata dei bambini.
  - -- Questo apparecchio può essere utilizzato da bambini di età pari o superiore a 8 anni, se supervisionati o istruiti sull'uso sicuro dell'apparecchio e se ne comprendono i pericoli. La pulizia e la manutenzione non devono essere eseguite da bambini a meno che non abbiano almeno 8 anni e siano supervisionati. Tenere l'apparecchio e il cavo di alimentazione fuori dalla portata dei bambini di età inferiore a 8 anni.
  - - Scollegare sempre l'apparecchio dalla rete elettrica se lasciato incustodito e prima di montarlo, smontarlo o pulirlo.
  - Per il modello SM-1505BM il consumo energetico era di 0,4 W in modalità spento.
  - Il periodo di tempo dopo il quale l'apparecchiatura entra automaticamente in modalità di spegnimento è inferiore a 1 minuto.
- **ATTENZIONE:** assicurarsi che il frullatore sia spento prima di rimuoverlo dal supporto.

## Specifica

|                           |            |
|---------------------------|------------|
| <b>Modello</b>            | SM-1503BM  |
| <b>Tensione nominale</b>  | AC220-240V |
| <b>frequenza</b>          | 50-60 Hz   |
| <b>Consumo energetico</b> | 1500W      |

### Nome delle diverse parti



#### Parti principali e parti standard :

|   |                  |   |           |
|---|------------------|---|-----------|
| 1 | Albero di uscita | 6 | Battitore |
|---|------------------|---|-----------|

|   |                      |    |                         |
|---|----------------------|----|-------------------------|
| 2 | Pulsante di salita   | 7  | Frusta                  |
| 3 | Pulsante di velocità | 8  | Coperchio della ciotola |
| 4 | Ciotola              | 9  | Copertina anteriore     |
| 5 | gancio per impastare | 10 | Copertura posteriore    |

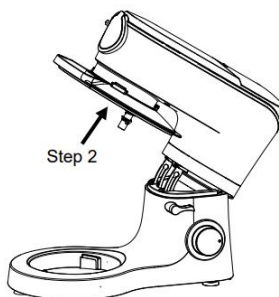
## Come usare la macchina

1. Prima dell'uso, lavare gli accessori con acqua pulita, risciacquare e asciugare.
2. Posizionare la macchina su un tavolo piano, pulito e asciutto, Premere la testa della macchina, girare di nuovo la manopola di sollevamento della testa (2) Fase 1, la parte superiore del corpo si solleverà automaticamente. (PG 1 e 2).
3. Installare il coperchio della pentola nell'estremità di agitazione Fase 2 della macchina come da PG2
- 4 . Pesare il cibo e l'acqua da lavorare nella ciotola di miscelazione, quindi montare la ciotola di miscelazione (4) sulla macchina fase 3 , ruotare in senso orario fino a quando la fibbia non è avvitata e bloccata fase 4 ; (PG3)
5. Non superare la quantità di impasto: il peso totale può sostenere fino a 1,5 kg;
6. Installare gli accessori richiesti (5), (6) e (7) (è possibile utilizzarne solo uno alla volta) sull'albero di uscita della testa di miscelazione (1) passaggio 5 , spingere gli accessori verso l'alto, quindi ruotare di un quarto di giro in senso antiorario fino alla posizione di bloccaggio passaggio 6 ; (PG4&5)
7. Premere la testa della macchina, la macchina bloccherà automaticamente il pulsante della testa (2) passo 7 , che è in posizione orizzontale; (PG6)。
8. Quindi collegare la spina e accendere l'interruttore di alimentazione.
9. Regolare la manopola della velocità (3) sulla velocità desiderata - iniziare a mescolare ;
- 1 0 .Dopo che l'impasto ha raggiunto i requisiti, riportare la manopola della velocità (3) sulla marcia 0 per terminare.
- 1 1 . Premere manualmente la testa della macchina, ruotare la manopola di sollevamento (2) in senso orario, sollevare il corpo superiore, ruotare la ciotola di miscelazione in senso antiorario, rimuovere la ciotola di miscelazione ed estrarre l'impasto.

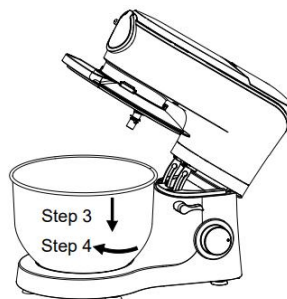
12. Spegner l'apparecchio e scollegarlo dall'alimentazione prima di sostituire gli accessori o di avvicinarsi alle parti in movimento durante l'uso.



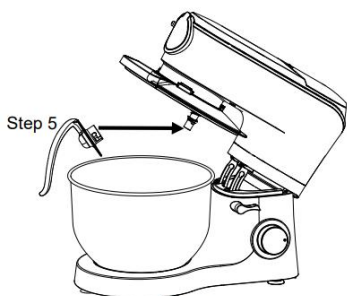
PG1



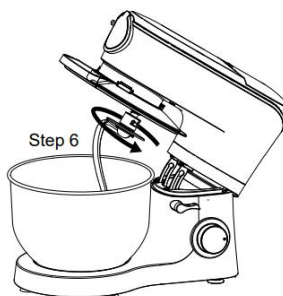
PG2



PG3



PG4



PG5

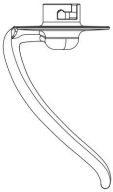

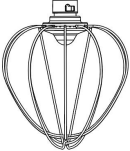


PG6

## Suggerimento

Regolazione dei livelli e utilizzo del gancio per non più di 1,5 kg di miscela

| Accessori | Immagine | Velocità | Tempo (minuto) | Massimo | Metodo di funzionamento |
|-----------|----------|----------|----------------|---------|-------------------------|
|           |          |          |                |         |                         |

|                      |   |      |      |                                   |   |
|----------------------|---|------|------|-----------------------------------|---|
| gancio per impastare |  | 1- 3 | 3-5  | 1000 g di farina + 538 g di acqua | Eeguire la corsa a 1 velocità per 30 secondi, la corsa a 2 velocità per 30 secondi e poi la corsa a 3 velocità per 2-4 minuti per formare un cluster. |
| Battitore            |  | 2-4  | 3-10 | 660 g di farina + 840 g di acqua  | Corsa a 2 velocità per 20 secondi, corsa a 4 velocità per più di 2 minuti e 40 secondi  |
| Frusta               |  | 5-6  | 3-10 | 3 albumi d'uovo (minuti)          | Aprire la velocità 5 o 6 per correre 3 minuti in più.   |

### Utilizzi e suggerimenti per Blender :

Il frullatore può mescolare gli alimenti. Questo elettrodomestico da cucina può essere utilizzato per preparare zuppe, salse, frullati, pappe per bambini, verdure, bevande, dessert, puree, ecc. Gli alimenti solidi devono essere tagliati in piccoli pezzi.

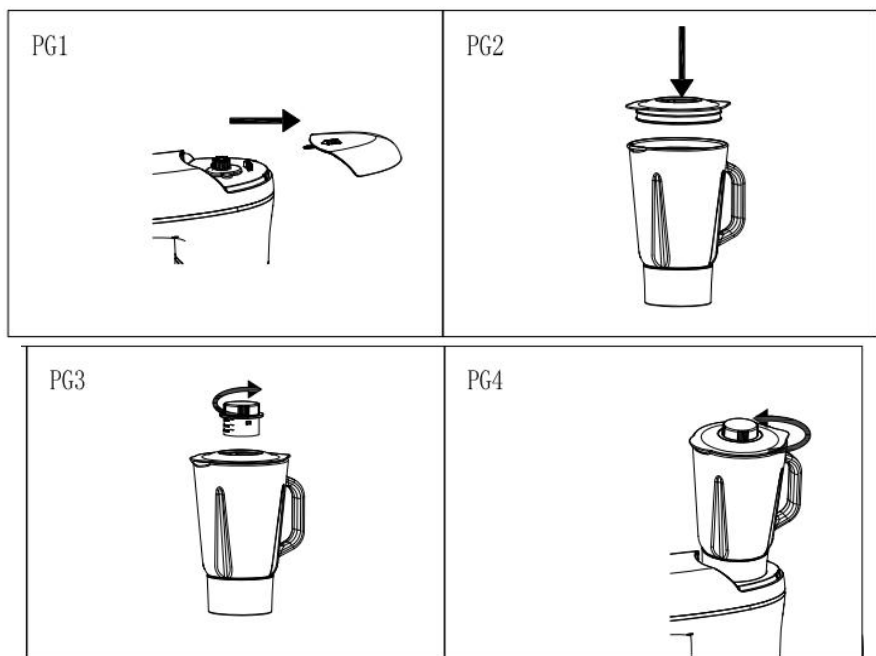
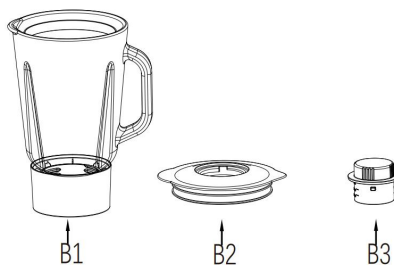
### Attenzione :

- 1) Prima di utilizzare il frullatore, non collegarlo alla presa di corrente. Assicurarsi che il frullatore sia installato correttamente e che il coperchio sia ben chiuso prima di utilizzarlo.
- 2) Una volta terminato, staccare la spina e rimuovere i contenitori del frullatore dall'apparecchio.
- 3) Non aggiungere alimenti a temperatura superiore a 80°C nella tazza.
- 4) Optinum liquid non è superiore a 1,5 litri.
- 5) Fissare il coperchio sulla tazza.
- 6) Non rimuovere il contenitore del frullatore o il coperchio durante l'operazione.

7) Non far funzionare il frullatore per più di 3 minuti.

**Come montare il bicchiere del frullatore :**

- 1 ) Rimuovere il piccolo coperchio (seguire PG1.A) o ruotare la fibbia ad anello (seguire PG1.B). PG1
- 2 ) Mettere il coperchio B2 sul bicchiere del frullatore B1 (seguire PG2).
- 3 ) Inserire B3 in B2 e avvitare (seguire PG3).
- 4 ) Una volta fatto tutto, girare in senso orario e avvitare il barattolo sulla base (seguire PG4).



B1: Bicchiere frullatore

B2 : coperchio

B3: Cilindro della serratura

**Attenzione :**

Aggiungere gli ingredienti rimuovendo il cilindro di bloccaggio durante il funzionamento. Prestare molta attenzione durante il funzionamento. Una volta terminato, scollegare l'apparecchio. Lavare il contenitore dopo l'uso.

**Procedure di smontaggio dopo l'uso :**

- 1) Ruotare in senso antiorario fino al livello 0 e scollegare.
- 2) Svitare il barattolo e posizionarlo sul tavolo.
- 3) Estrarre manualmente B2.
- 4) Tenere il manico di vetro con una mano, tenere il corpo di vetro con l'altra mano e inclinare lentamente per versare il liquido.

**Consigli consigliati :**

Rimuovere il nocciolo e la buccia dura del frutto, tagliarlo a pezzetti, metterlo in una tazza e aggiungere acqua. La quantità ottimale di succo è di 600 grammi e quella di acqua di 900 grammi. Non superare la scala massima del bicchiere per il succo. Chiudere il coperchio e avvitare il contenitore sul frullatore. Collegare la spina e impostare il controllo della velocità tra 4 e 6. Spegnerne il frullatore dopo 3 minuti di funzionamento; per garantire buone prestazioni, il tempo di funzionamento totale non deve superare i 15 minuti.

Per garantire buone prestazioni alla macchina, il tempo di funzionamento totale non deve superare i 15 minuti.

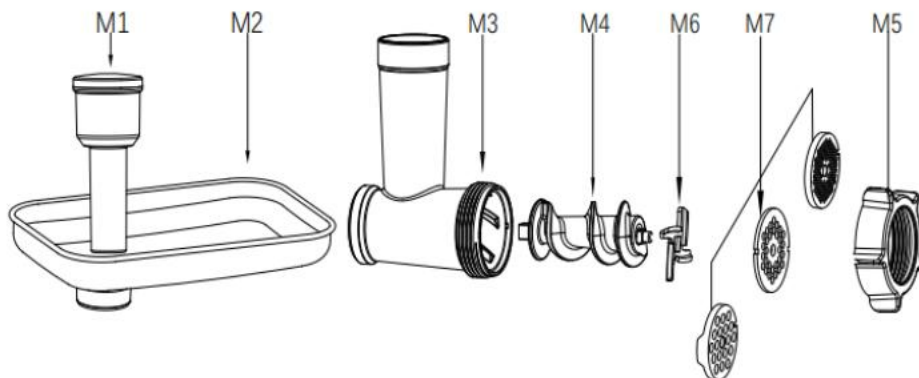
## **Funzione tritacarne**

**Come assemblare e utilizzare il tritacarne :**

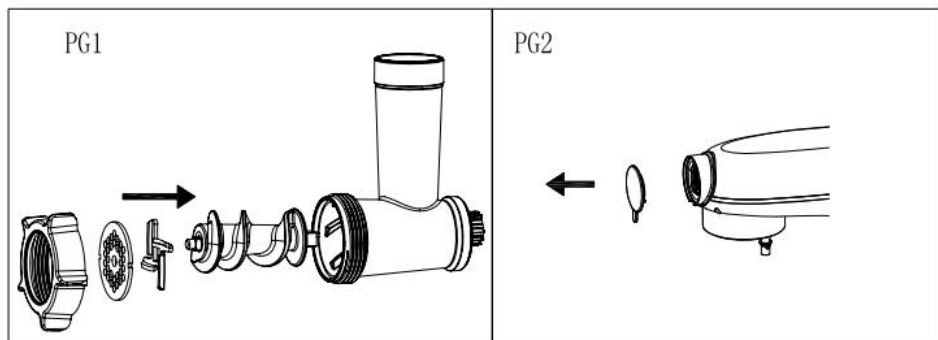
- 1) Per installare gli accessori del tritacarne, installare prima la lama del tritacarne M6 sulla testa della vite del tritacarne M4, posizionare la lama del tritacarne M7 richiesta (foro grosso, foro medio o foro fine), fare attenzione ad allineare la scanalatura tra il setaccio del tritacarne M7 e il tritacarne m3 e serrare il dado di bloccaggio M5 sul tritacarne M3. (PG1)
- 2) Smontare il coperchio anteriore (PG2).
- 3) Premere il pulsante di espulsione nella parte anteriore della macchina, tenere il tritacarne M 3, collegarlo alla parte di trasmissione del coperchio anteriore e ruotarlo in senso antiorario fino alla posizione di bloccaggio. (P G 3)
- 4) Allineare la porta di scarico del vassoio M 2 con la porta di alimentazione del tritacarne M 3 e installarlo in posizione ( PG 4)
- 5) Posizionare un contenitore all'uscita del tritacarne. Pulire la carne di maiale e tagliarla a striscioline. La larghezza non deve superare l'apertura di alimentazione del vassoio M2.

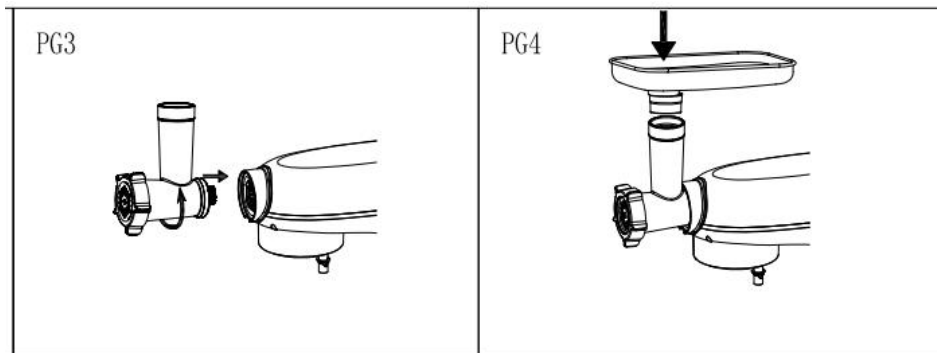
6) Inserire la spina del cavo di alimentazione nella presa, quindi impostare la velocità desiderata, posizionare la carne sul vassoio M2 e inserirla nell'apposita apertura di alimentazione. Utilizzare lo spingitore M1 per spingere lentamente la carne nell'apertura di alimentazione del tritacarne. Non inserire le dita nel tritacarne M3.

7) Dopo l'uso, impostare su 0 e staccare la spina.



|    |                     |    |                        |
|----|---------------------|----|------------------------|
| M1 | Spingitore          | M5 | Blocco di triturazione |
| M2 | Vassoio             | M6 | Lama                   |
| M3 | Alloggiamento Helix | M7 | Setaccio               |
| M4 | Elica               |    |                        |





### **Suggerimenti per ricette:**

Togliere l'osso dalla carne e tagliarla a pezzi di 2,5 cm. Inserire la spina nella presa di corrente, quindi impostare il controllo della velocità su 3-6 , mettere la carne nel contenitore e lavorare ininterrottamente per 3 kg alla volta. Si prega di interrompere il funzionamento dopo 5 minuti di funzionamento continuo, non per 15 minuti. Per non compromettere le prestazioni della macchina.

## **Ricetta**

### **Panini ai semi di lino**

Ingredienti: 30 g di semi di lino, 40 g di acqua, 250 g di farina per pane, 3 g di lievito secco, 30 g di zucchero, 3 g di sale, 10 g di latte in polvere, 20 g di burro, 15 g di liquido d'uovo

Processo:

1. Mettere a bagno 30 g di semi di lino in 40 g di acqua per 12 ore
2. Mettere 250 g di farina per pane, 3 g di lievito secco, 30 g di zucchero, 3 g di sale, 10 g di latte in polvere, 150 g di acqua nella ciotola, usare il gancio per impastare per impastare gli ingredienti ai livelli 1-3, quindi aggiungere 20 g di burro e continuare a impastare fino a ottenere un impasto liscio, quindi aggiungere i semi di lino ammollati fino a quando l'impasto non è ben amalgamato. Coprire con pellicola trasparente e lasciare fermentare fino a quando non raddoppia di volume in un luogo caldo.
3. Impastare ancora una volta bene, togliere dalla ciotola e dividere in sei rotoli. Dopo averli arrotolati, coprire i rotoli e lasciarli lievitare a 38°C per 1 ora.
4. Una volta terminata la fermentazione, spennellare la superficie del pane con il liquido dell'uovo, adagiarlo penultimo strato nel forno preriscaldato,

alzare la fiamma a 180°C e cuocere per 20 minuti, quindi togliere lo stampo e metterlo sulla griglia per farlo raffreddare.

### **Pane tostato**

Ingredienti: 270 g di farina ricca di glutine, 30 g di farina povera di glutine, 1 uovo, 3 g di sale, 55 g di zucchero, 4 g di lievito, 80 g di panna liquida, 10 g di latte in polvere, 90 g di acqua.

Processo:

1. Mettere tutti gli ingredienti nella ciotola e utilizzare il gancio per impastare fino a ottenere un impasto ai livelli da 1 a 3.
2. Conservare il composto in un luogo caldo e lasciarlo fermentare finché non raddoppia di volume.
3. Impastare ancora una volta bene, togliere dalla ciotola e dividere in 3 porzioni, coprire l'impasto con pellicola trasparente per 15 minuti.
4. Prendi una porzione e arrotolala a forma di lingua, piega entrambi i lati verso il centro e arrotolala dal basso verso l'alto. Dopo aver arrotolato tutti e tre i rotoli, coprili con pellicola trasparente per 15 minuti.
5. Dopo aver preparato 3 porzioni, metterle nello stampo per la seconda fermentazione, lasciare fermentare fino all'80% dell'altezza dello stampo. Accendere il fuoco a 170°C e cuocere per 40 minuti, quindi rimuovere lo stampo e metterlo sulla griglia per farlo raffreddare.

### **Pizza fatta in casa**

Materie prime: 170 g di farina ricca di glutine, 100 g di acqua, 1,5 g di sale alimentare, 15 g di zucchero bianco, 2 g di lievito, 15 g di burro e un po' di ripieno.

Processo:

1. Mettere 170 g di farina ad alto contenuto di glutine, 100 g di acqua, 1,5 g di sale, 15 g di zucchero e 2 g di lievito nella ciotola. Impastare con il gancio a mano ai livelli 1-3. Dopo aver impastato, aggiungere il burro e continuare a impastare fino a ottenere una pellicola elastica.
2. Lasciare lievitare l'impasto in un luogo caldo fino a quando non raddoppia il suo volume.
3. Durante la fermentazione, è possibile preparare il ripieno della pizza e conservarlo per un uso futuro.
4. Impastare ancora una volta bene, prendere metà dell'impasto, stenderlo e lasciarlo riposare per 5 minuti, quindi utilizzare un mattarello per stenderlo delicatamente fino a raggiungere le dimensioni di una teglia per pizza, posizionarlo sulla teglia, premerlo intorno alla teglia con le mani, infine utilizzare una forchetta per fare dei piccoli fori.
5. Impostare la modalità di riscaldamento superiore e inferiore del forno, preriscaldare a 200 °C. Spennellare prima la base dello stampo per torta

con olio d'oliva, quindi versare la salsa per pizza e distribuirla uniformemente, quindi cospargere con un po' di mozzarella e cipolla tritata, posizionare la teglia per pizza da 8 pollici nel secondo strato del forno preriscaldato e cuocere per 8 minuti.

6. Trascorso il tempo, togli la teglia e stendi uno strato di pancetta. Qui puoi disporre i tuoi ingredienti preferiti e il ripieno preparato.

7. Mettete nel forno preriscaldato e impostate il tempo di cottura su 15 minuti, finché il formaggio non si sarà sciolto e la crosta non sarà dorata.

pane al burro

Ingredienti: 375 g di farina ricca di glutine, 180 g di latte, 35 g di burro, 30 g di zucchero, 11 g di latte in polvere, 4 g di lievito, 3 g di sale, 1 uovo

Processo:

1. Mettere tutti gli ingredienti nella ciotola tranne il burro, lasciando 10 g di uovo per la spennellatura finale.

2. Utilizzare il gancio per impastare ai livelli da 1 a 3, dopo aver formato l'impasto, aggiungere il burro ammorbidito e continuare a impastare fino a ottenere una pellicola trasparente.

3. Coprire il composto con pellicola trasparente e lasciare fermentare in un luogo caldo finché non raddoppia di volume.

4. Impastare ancora una volta bene, togliere dalla ciotola e dividere l'impasto in 10 porzioni. Prendere una porzione di impasto e stenderla in una forma ovale, quindi arrotolarla dall'alto verso il basso.

5. Disporre la carta da forno unta sulla teglia, quindi disporre l'impasto del pane arrotolato sulla teglia e lasciare lievitare fino a quando non raddoppia di volume in un luogo caldo.

6. Spennellare la superficie dell'impasto del pane con il liquido dell'uovo, preriscaldare il forno a 160°C, mettere l'impasto del pane nello strato centrale e cuocere per 20 minuti.

### **pane francese**

Ingredienti: 250 g di farina ricca di glutine, 50 g di farina povera di glutine, 150 g di acqua, 10 g di zucchero, 3 g di lievito in polvere, 1 g di sale alimentare.

Processo:

1. Mettere tutti gli ingredienti nella ciotola, utilizzare il gancio per impastare per mescolare ai livelli da 1 a 3 e impastare fino a formare una palla.

2. Coprire il composto con pellicola trasparente e lasciare fermentare in un luogo caldo finché non raddoppia di volume.

3. Impastare ancora una volta bene, togliere dalla ciotola e dividere l'impasto in 4 porzioni. Prendere una porzione di impasto e stenderla in una forma ovale, quindi arrotolarla dall'alto verso il basso.

4. Quindi coprire con pellicola trasparente e lasciare fermentare finché il volume non raddoppia.
5. Spennellare la superficie con olio di sesamo, preriscaldare il forno a 180°C, mettere l'impasto del pane nello strato centrale e cuocere per 20 minuti.

### **Torta originale**

Ingredienti: 100 g di farina per dolci, 5 uova, 50 g di olio alimentare, 80 g di zucchero, una piccola quantità di succo di limone, 55 g di latte.

Processo:

1. Separare l'albume dal tuorlo, aggiungere 20 g di zucchero al tuorlo e mescolare con una frusta a velocità 6 fino a completo scioglimento dello zucchero. Aggiungere il latte e continuare a mescolare uniformemente a velocità 6.
2. Versare l'olio alimentare e continuare a sbattere fino a completa emulsione.
3. Versare la farina per dolci attraverso un setaccio e mescolare uniformemente fino a ottenere una pasta fine di tuorlo d'uovo.
4. Versare qualche goccia di succo di limone nell'albume, aggiungere lo zucchero in tre volte e sbattere con una frusta fino a ottenere un composto gonfio e spumoso.
5. Prendi 1/3 dell'albume, mettilo nella pasta di tuorlo e mescola uniformemente, versa la pasta di nuovo sull'albume rimanente e mescola uniformemente fino a ottenere una pasta per torta fine.
6. Spennellare la superficie dello stampo per torta con olio commestibile, quindi versare la pasta per torta nello stampo
7. Preriscaldare il forno a 150°C, impostare la modalità di riscaldamento dei tubi superiore e inferiore e il tempo di cottura a 50 minuti, quindi cuocere fino a doratura.

### **Torta al cioccolato**

Ingredienti: 150 g di liquido d'uovo, 50 g di latte puro, 40 g di cacao in polvere, 80 g di zucchero bianco.

Processo:

1. Aggiungere 150 g di liquido d'uovo, sbattere con una frusta a velocità 6 fino a ottenere un composto simile al cotone, quindi toglierlo e metterlo da parte.
2. Mettere 80 g di zucchero bianco, 50 g di latte e 40 g di cacao in polvere in una ciotola e mescolare fino a ottenere una polvere fine con una frusta a livello 6.
3. Versare la polvere fine preparata nel liquido delle uova sbattute e mescolare bene.

4. Versare le materie prime mescolate nello stampo da forno unto d'olio e infornare a 180°C.
5. Dopo averli cotti e modellati, toglieteli dallo stampo e aspettate che si raffreddino prima di mangiarli.

### **torta gelato al cioccolato**

Ingredienti: 140 g di formaggio cremoso, 140 g di cioccolato fondente, 220 g di latte, 100 g di zucchero a velo, 240 g di panna montata, 2 g di sale alimentare.

Processo:

1. Avvolgere l'esterno dello stampo quadrato con un foglio di alluminio e mettere all'interno un cerchio di carta da forno
2. Aggiungere lo zucchero a velo e un pizzico di sale al formaggio cremoso e mescolare con una frusta.
3. Tritare il cioccolato fondente e farlo sciogliere, quindi versarlo nel formaggio e mescolare uniformemente con una frusta. Togliere dal fuoco e metterlo su un vassoio per un utilizzo successivo.
4. Mettere la panna montata nella pentola e mescolare finché non diventa quasi densa come il cotone.
5. Aggiungere la panna montata in 2 volte al formaggio al cioccolato e mescolare uniformemente, quindi versare il latte in 2 volte e mescolare bene ancora.
6. Infine, versate il composto nello stampo e mettetelo in frigorifero per diverse ore. Toglietelo dallo stampo e sformatelo.

## **Analisi dei problemi comuni**

| <b>Fenomeni</b> | <b>cause</b> | <b>Soluzioni</b> |
|-----------------|--------------|------------------|
|-----------------|--------------|------------------|

|  |   |  |
|--|---|--|
| <p>La macchina smette improvvisamente di funzionare durante l'uso.</p> | <p>Potrebbe essere che la macchina funzioni troppo a lungo o che la temperatura ambiente sia troppo alta, con conseguente aumento della temperatura del motore della macchina; la macchina avvia il programma di protezione dal surriscaldamento e si spegne automaticamente.</p> | <p>Riportare l'ingranaggio su "0", scollegare l'alimentazione, attendere che la macchina torni a temperatura ambiente e riavviarla (in genere occorrono 15-30 minuti, il tempo di raffreddamento varia a seconda della temperatura ambiente).</p>                            |
| <p>Girando il pomello del cambio la macchina non funziona</p>          | <p>Controllare che la spina sia ben a contatto con la presa.</p>  | <p>Verificare che la spina di alimentazione sia inserita nella presa.</p>  |
|  | <p>Controllare se manca la corrente.</p>  | <p>Attendere l'alimentazione prima di operare</p>  |
|  | <p>Controllare se la molla del pulsante di sollevamento torna in posizione.</p>   | <p>Assicurarsi che la paletta sia bloccata in posizione.</p>   |
| <p>Rumore eccessivo quando la macchina è in funzione</p>               | <p>① La macchina funzionerà più rumorosamente in marcia alta rispetto a quella bassa.<br/> ② La quantità di cibo mescolata è eccessiva e la macchina viene sovraccaricata.<br/> 3. La tensione è instabile.<br/> ④ L'orario di lavoro è troppo lungo.</p>                         | <p>① Scegliere l'attrezzatura giusta per mescolare il cibo secondo le raccomandazioni del manuale<br/> 2 Ridurre la quantità di mescolamento.<br/> 3. Se la tensione è instabile, attendere che si stabilizzi prima dell'uso.<br/> ④ Se il tempo di lavorazione è troppo</p> |

|   |   |  |
|---|---|--|
|   |   | lungo, fermarsi e lasciare raffreddare per un po' prima dell'uso.  |
| La velocità della macchina diminuisce o la velocità è instabile   | <p>① Se la temperatura ambiente è bassa, provocando l'indurimento del lubrificante nella macchina.</p> <p>② Gli ingredienti vengono mescolati con troppa forza e in quantità eccessiva, il che comporta un carico eccessivo sulla macchina.</p> <p>3. Se la tensione diventa improvvisamente bassa.</p> | <p>① Rimuovere la ciotola di miscelazione e lasciare la macchina in funzione al minimo per 5 minuti per ammorbidire il lubrificante nella macchina e ripristinare la stabilità della velocità.</p> <p>2. Ridurre il volume di miscelazione e lasciare che la macchina funzioni secondo il normale carico di lavoro.</p> <p>3. Quando la tensione è stabile, utilizzare nuovamente la macchina.</p> |
| La macchina oscilla e trema durante il funzionamento  | <p>① Controllare che il poggiapiedi sulla base sia staccato.</p> <p>2. Se la macchina viene posizionata su un piano di lavoro liscio e piatto per l'uso.</p>  | <p>① Controllare che il poggiapiedi sulla base sia staccato.</p> <p>2. Posizionare su un piano di lavoro liscio e piatto per l'uso</p>   |
| La paletta non può tornare indietro per ripristinarsi dopo aver installato la copertura anti-schizzi e la ciotola di miscelazione | Verificare che il coperchio anti-schizzi sia in posizione e che la ciotola sia montata.   | Ruotare il coperchio anti-schizzi e montarlo in posizione, quindi montare il contenitore per mescolare in posizione.   |

|   |   |  |
|---|---|--|
| <p>Impasto che si scurisce dopo l'uso</p> | <p>La polvere nera cade sull'impasto nella testa di miscelazione.</p> | <p>Prima dell'uso, verificare che la testa di miscelazione e il gancio siano asciutti e che sulla superficie non sia presente acqua o polvere.</p> |
|---|---|--|

## Pulizia

|                                |  |
|--------------------------------|--|
| <p>Pulizia del corpo</p>       | <ol style="list-style-type: none"> <li>1. Non immergere la macchina in acqua. Non utilizzare l'acqua per fare la doccia direttamente sulla macchina per evitare che il corpo dell'ospite entri in acqua e prevenire cortocircuiti, scosse elettriche, perdite, ruggine e altri guasti.</li> <li>2. Non utilizzare un asciugamano bagnato fradicio per pulire la macchina</li> <li>3. Non utilizzare detergenti/acetato/sale e altri prodotti detergenti corrosivi, fortemente acidi o fortemente alcalini per pulire il corpo della macchina, altrimenti potrebbero danneggiare la superficie della macchina.</li> <li>4. Non utilizzare utensili affilati e ruvidi, come sfere metalliche, per spazzolare gli accessori. In caso contrario, si rischia di danneggiarne facilmente la superficie.</li> </ol> |
| <p>Pulizia degli accessori</p> | <ol style="list-style-type: none"> <li>1. Non lavare le parti in alluminio pressofuso in lavastoviglie né con detergenti corrosivi, fortemente acidi o alcalini. Non lavarle in lavastoviglie (ad eccezione delle parti in acciaio inossidabile, delle parti in Teflon con trattamento superficiale e delle parti sottoposte a elettroforesi).</li> <li>2. Non lasciare in ammollo per lungo tempo in detersivo, acqua salata, aceto e altri liquidi corrosivi; utilizzare in tempo per pulire gli accessori.</li> <li>3. Dopo la pulizia, asciugare gli accessori,</li> </ol>   |

|                              |   |
|------------------------------|---|
|                              | soprattutto per mantenere asciutte nel tempo le parti interne.  |
| Pulizia speciale             | <ol style="list-style-type: none"> <li>1. L'albero di uscita rotante produrrà una leggera traccia nera a causa dell'elevata velocità e dell'attrito durante il funzionamento della macchina. Dopo ogni utilizzo, pulirlo tempestivamente e mantenerlo asciutto.</li> <li>2. Prestare attenzione alla lama affilata e alle parti o agli accessori con bordi taglienti.</li> </ol>                |
| Conservazione e manutenzione | <ol style="list-style-type: none"> <li>1. È possibile utilizzare l'olio d'oliva da applicare sulla superficie della lama, sul piatto del coltello e sul contenitore di miscelazione per garantire un ambiente asciutto e umido in cui ossidarlo.</li> <li>2. Quando non è in uso, è possibile coprire la macchina con un sacchetto di imballaggio e riporla in un ambiente asciutto.</li> </ol> |

**Produttore:** Shanghaimuxinmuyeyouxiangongsi

**Indirizzo:** Shuangchenglu 803nong11hao1602A-1609shi, baoshanqu, Shanghai 200000 CN.

**Importato in AUS:** SIHAO PTY LTD. 1 ROKEVA STREETEASTWOOD Nuovo Galles del Sud 2122 Australia

**Importato negli USA:** Sanven Technology Ltd. Suite 250, 9166 Anaheim Luogo, Rancho Cucamonga, CA 91730

|           |            |
|-----------|------------|
| <b>UK</b> | <b>REP</b> |
|-----------|------------|

YH CONSULTING LIMITED. C/O YH Consulting  
Limited Office 147, Centurion House, London  
Road, Staines-upon-Thames, Surrey, TW18 4AX

|           |            |
|-----------|------------|
| <b>EC</b> | <b>REP</b> |
|-----------|------------|

E-CrossStu GmbH  
Mainzer Landstr.69,  
60329 Frankfurt am Main.



# VEVOR

**Affordable. Reliable. Home Improvement.**

**Batidora de pie**

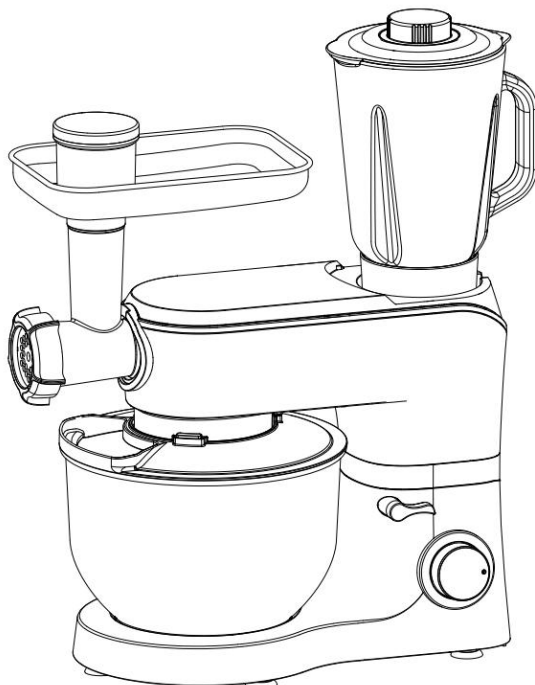
**Modelo: SM-1503BM**

# VEVOR




Affordable. Reliable. Home Improvement.

## Stand Mixer

**Modelo: SM-1503BM**



Estas son las instrucciones originales; lea atentamente todas las instrucciones del manual antes de utilizarlo. VEVOR se reserva el derecho de interpretar este manual de usuario. La apariencia del producto dependerá del producto que haya recibido. Le rogamos que nos disculpe si no le informamos de nuevo si hay actualizaciones tecnológicas o de software en nuestro producto.

|   |  |
|---|--|
|  | <p>Advertencia: Para reducir el riesgo de lesiones, el usuario debe leer<br/>Lea atentamente el manual de instrucciones.</p>   |
|   | <p>Advertencia: solo para uso en interiores</p>  |
|   | <p style="text-align: center;"><b>ELIMINACIÓN CORRECTA</b></p> <p>Este producto está sujeto a las disposiciones de la Directiva Europea 2012/ 19/CE. El símbolo que muestra un contenedor de basura con ruedas cruzado a través de indica que el producto requiere un contenedor de basura separado</p> <p>Recogida en la Unión Europea. Esto aplica al producto y todos los accesorios marcados con este símbolo. Productos marcados como tal, no se pueden desechar con la basura doméstica normal, sino</p> <p>Deben llevarse a un punto de recogida para el reciclaje de aparatos eléctricos y electrónicos.<br/>dispositivos electrónicos</p> |

## Instrucciones generales de seguridad

**Lea atentamente las instrucciones de uso antes de poner en funcionamiento el aparato y consérvelas, incluyendo la garantía, el recibo y, si es posible, la caja con el embalaje interior. Si entrega este aparato a otras personas, entréguelas también las instrucciones de uso.**

- Este aparato está diseñado exclusivamente para uso privado y para el fin previsto. No es apto para uso comercial. No lo utilice en exteriores (excepto si está diseñado para ello). Manténgalo alejado de fuentes de calor, luz solar directa, humedad (nunca lo sumerja en ningún líquido) y bordes afilados. No utilice el aparato con las manos mojadas. Si el aparato está húmedo o mojado, desenchúfelo inmediatamente.
- A la hora de limpiarlo o guardarlo, apague el aparato y desconecte siempre el enchufe de la toma de corriente (tire del enchufe, no del cable) si no va a utilizarlo y retire los accesorios conectados.

- No opere la máquina sin supervisión. Si abandona el lugar de trabajo, apague siempre la máquina o desconecte el enchufe de la toma de corriente (tire del enchufe, no del cable).
- Revise regularmente el aparato y el cable para detectar posibles daños. No utilice el aparato si está dañado. No intente repararlo usted mismo. Contacte siempre con un técnico autorizado. Si el cable de alimentación está dañado, debe ser reemplazado por el fabricante, su agente de servicio técnico o personal cualificado para evitar riesgos.
- Utilice únicamente repuestos originales.
- Preste mucha atención a las siguientes “Instrucciones especiales de seguridad”.

### **Niños y personas frágiles**

- Para garantizar la seguridad de sus hijos, mantenga todos los embalajes (bolsas de plástico, cajas, poliestireno, etc.) fuera de su alcance. ¡Precaución! No permita que los niños pequeños jueguen con la lámina, ya que existe peligro de asfixia.
- Al utilizar los accesorios licuadora y picadora, el aparato no debe ser utilizado por niños. Mantenga el aparato y su cable fuera del alcance de los niños.
- Este aparato no es un juguete. Los niños no deben jugar con él.
- Los aparatos pueden ser utilizados por personas con capacidades físicas, sensoriales o mentales reducidas o con falta de experiencia. y conocimientos si han recibido supervisión o instrucciones sobre el uso del aparato de forma segura y si comprenden los riesgos que conlleva.

### **Instrucciones especiales de seguridad para esta máquina**

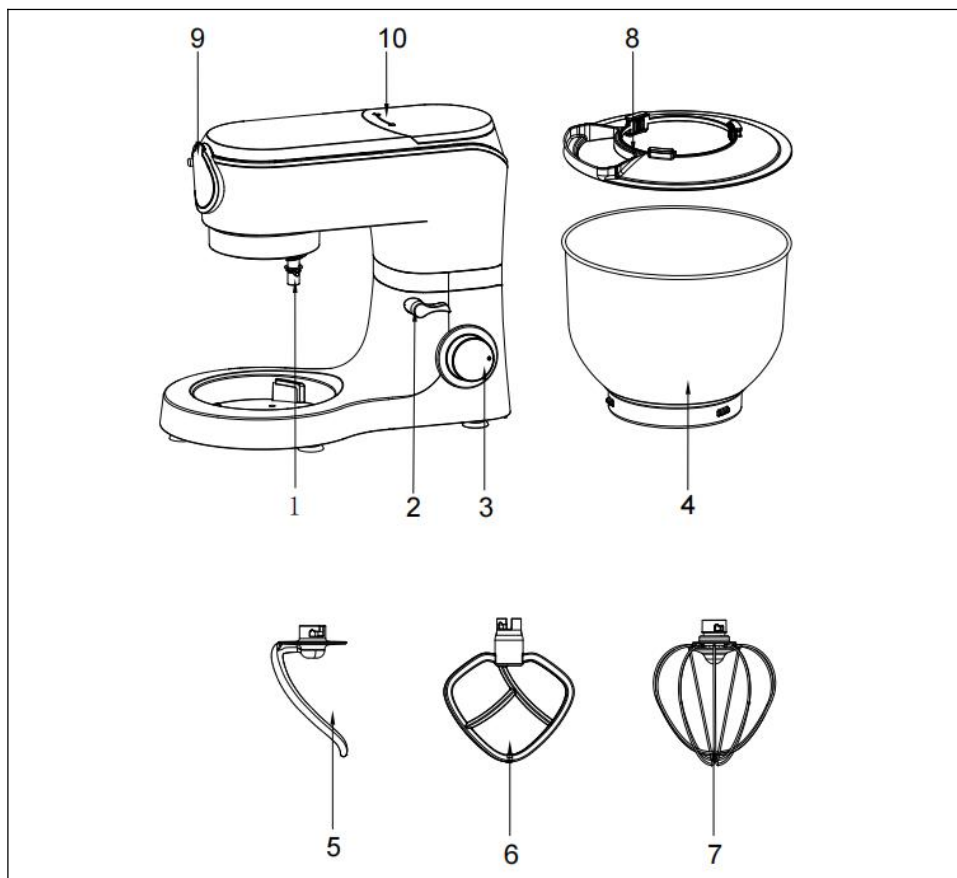
- Desconecte siempre el aparato de la red eléctrica si va a dejarlo sin supervisión y antes de montarlo, desmontarlo o limpiarlo.
- Apague el aparato y desconéctelo de la fuente de alimentación antes de cambiar accesorios o acercarse a piezas que mover durante el uso. No utilice el aparato para ningún otro fin que no sea el previsto .
- PRECAUCIÓN: Para evitar riesgos debido a un restablecimiento accidental del protector térmico, este aparato debe No debe suministrarse a través de un dispositivo de conmutación externo, como un temporizador, ni conectarse a un circuito que se alimenta regularmente. encendido y apagado por la empresa de servicios públicos.
- Utilice esta máquina únicamente bajo supervisión.
- No interfiera con ningún interruptor de seguridad.
- No introduzca nada en los ganchos giratorios mientras la máquina esté funcionando.
- Coloque la máquina sobre una superficie de trabajo lisa, plana y estable.

- No introduzca el enchufe de la máquina en la toma de corriente sin haber instalado todos los accesorios necesarios.
  - -Este aparato no está diseñado para ser utilizado por personas (incluidos niños) con capacidades físicas, sensoriales o mentales reducidas, o con falta de experiencia y conocimientos, a menos que hayan recibido supervisión o instrucciones sobre el uso del aparato por parte de una persona responsable de su seguridad.
  - -Se debe supervisar a los niños para garantizar que no jueguen con el aparato.
  - -Este aparato puede ser utilizado por niños mayores de 8 años y personas con capacidades físicas, sensoriales o mentales reducidas o con falta de experiencia y conocimientos si han recibido supervisión o instrucciones sobre el uso del aparato de forma segura y comprenden los peligros que conlleva.
  - -Si el cable de alimentación está dañado, debe ser reemplazado por el fabricante, su agente de servicio o personas igualmente calificadas para evitar un peligro.
  - - Este aparato está diseñado para ser utilizado en aplicaciones domésticas y similares tales como: – áreas de cocina para el personal en tiendas, oficinas y otros entornos de trabajo; – casas de campo; – por clientes en hoteles, moteles y otros entornos de tipo residencial; – entornos de tipo alojamiento y desayuno.
  - Este aparato no debe ser utilizado por niños. Mantenga el aparato y su cable fuera del alcance de los niños.
  - Este aparato puede ser utilizado por niños mayores de 8 años si reciben supervisión o instrucciones sobre su uso seguro y comprenden los peligros. La limpieza y el mantenimiento no deben ser realizados por niños menores de 8 años y bajo supervisión. Mantenga el aparato y su cable fuera del alcance de los niños menores de 8 años.
  - - Desconecte siempre el aparato de la red eléctrica si va a dejarlo sin supervisión y antes de montarlo, desmontarlo o limpiarlo.
  - Para el modelo SM-1505BM el consumo de energía fue de 0,4 W en el modo apagado.
  - El tiempo después del cual el equipo pasa al modo de apagado automático fue menor a 1 min.
- **PRECAUCIÓN:** Asegúrese de que la licuadora esté apagada antes de retirarla del soporte.

## Especificación

|                           |              |
|---------------------------|--------------|
| <b>Modelo</b>             | SM-1503BM    |
| <b>Tensión nominal</b>    | CA 220-240 V |
| <b>frecuencia</b>         | 50-60 Hz     |
| <b>Consumo de energía</b> | 1500 W       |

## Nombre de las diferentes partes



### Piezas principales y piezas estándar :

|   |               |   |          |
|---|---------------|---|----------|
| 1 | Eje de salida | 6 | Batidora |
|---|---------------|---|----------|

|   |                    |    |                  |
|---|--------------------|----|------------------|
| 2 | Botón de subida    | 7  | Batidor          |
| 3 | Botón de velocidad | 8  | Tapa del cuenco  |
| 4 | Bol                | 9  | Portada          |
| 5 | Gancho para masa   | 10 | Cubierta trasera |

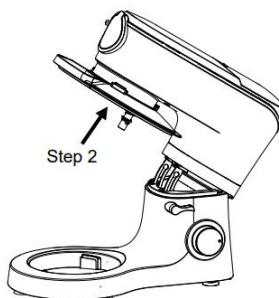
## **Cómo utilizar la máquina**

1. Antes de usar, lave los accesorios con agua limpia, enjuáguelos y séquelos.
2. Coloque la máquina sobre una mesa plana, limpia y seca. Presione el cabezal de la máquina y gírelo nuevamente. Perilla de elevación de la cabeza (2) Paso 1, la parte superior del cuerpo se levantará automáticamente. (PG 1 y 2).
3. Instale la tapa de la olla en el extremo de agitación Paso 2 de la máquina según PG2.
- 4 . Pese los alimentos y el agua que se van a procesar en el recipiente mezclador, luego ensamble el recipiente mezclador (4) en la máquina paso 3 , gire en el sentido de las agujas del reloj hasta que la hebilla esté enroscada y bloqueada paso 4 ; (PG3)
5. No exceda la cantidad de masa: el peso total puede soportar hasta 1,5 kg;
6. Instale los accesorios necesarios (5), (6) y (7) (solo se puede utilizar uno de los tres a la vez) en el eje de salida de mezcla del cabezal (1). Paso 5 , empuje los accesorios hacia arriba y luego gire un cuarto de vuelta en sentido antihorario hasta la posición de bloqueo. paso 6 ; (PG4 y 5)
7. Presione el cabezal de la máquina, la máquina bloqueará automáticamente el botón del cabezal (2) paso 7 , que está en posición horizontal; (PG6)。
8. Luego conecte el enchufe y encienda el interruptor de encendido.
9. Perilla de control de velocidad (3) a la velocidad requerida - comience a mezclar;
- 1 0 .Una vez que la masa cumpla con los requisitos, gire la perilla de velocidad (3) nuevamente a la posición 0 para finalizar.
- 1 1. Presione el cabezal de la máquina con la mano, gire la perilla de elevación (2) en el sentido de las agujas del reloj, levante el cuerpo

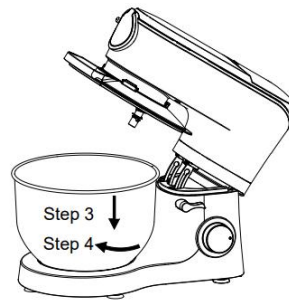
superior, gire el recipiente de mezcla en el sentido contrario a las agujas del reloj, retire el recipiente de mezcla y saque la masa.  
 12. Apague el aparato y desconéctelo de la fuente de alimentación antes de cambiar accesorios o acercarse a piezas que se mueven durante el uso.



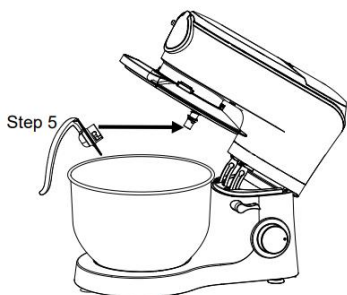
PG1



PG2



PG3



PG4



PG5

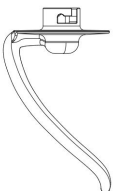

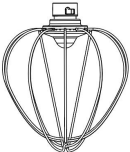


PG6

## Sugerencia

Ajuste de los niveles y uso del gancho para no más de 1,5 kg de mezcla

| Accesorios | Imagen | Velocidad | Tiempo (minuto) | Máximo | Método de operación |
|------------|--------|-----------|-----------------|--------|---------------------|
|            |        |           |                 |        |                     |

|                  |  |     |      |                                 |   |
|------------------|--|-----|------|---------------------------------|---|
| Gancho para masa |   | 1-3 | 3-5  | 1000g de harina + 538g de agua  | 1 carrera de velocidad durante 30 segundos, 2 carreras de velocidad durante 30 segundos y luego 3 carreras de velocidad durante 2 a 4 minutos para formar un grupo. |
| Batidora         |   | 2-4 | 3-10 | 660 g de harina + 840 g de agua | Carrera a 2 velocidades durante 20 s, carrera a 4 velocidades durante más de 2 min 40 s   |
| Batidor          |  | 5-6 | 3-10 | 3 claras de huevo (minuto)      | Abra la velocidad 5 o 6 para ejecutar 3 minutos más.  |

### Usos y consejos de la licuadora :

La licuadora puede mezclar alimentos. Con este electrodoméstico de cocina se pueden preparar sopas, salsas, batidos, papillas, verduras, bebidas, postres, purés, etc. Los alimentos sólidos deben cortarse en trozos pequeños.

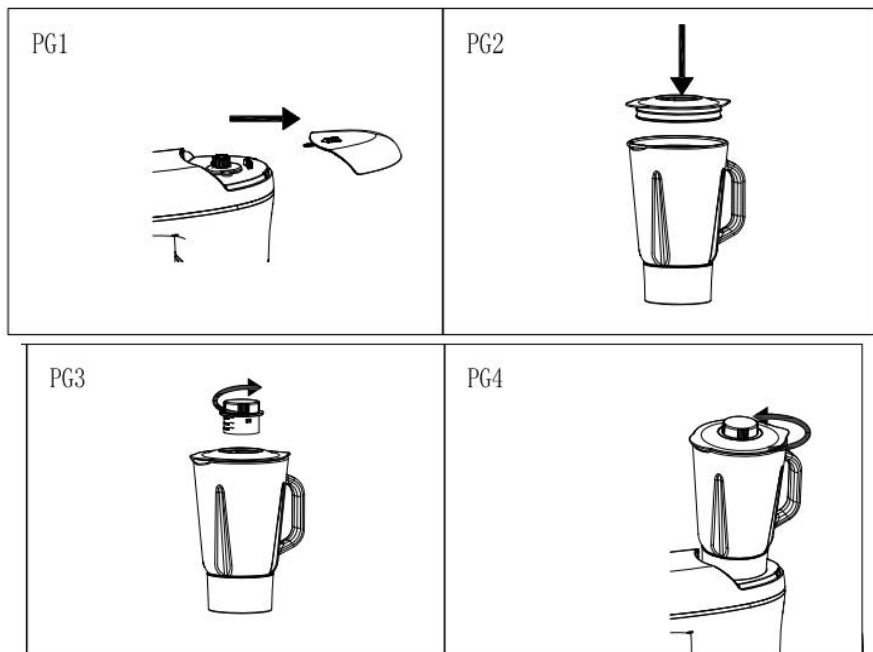
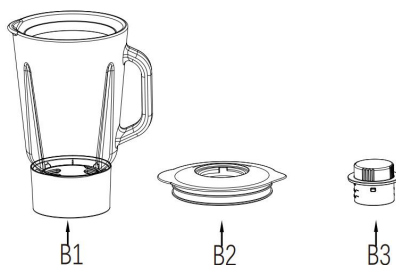
### Precaución :

- 1) Antes de usar la licuadora, no la enchufe. Asegúrese de que esté correctamente instalada y de que la tapa esté bien cerrada antes de usarla.
- 2) Desenchufe cuando haya terminado y retire los vasos de la licuadora del dispositivo.
- 3) No agregue alimentos a más de 80 °C en la taza.

- 4) El líquido Optinum no supera los 1,5 litros.
- 5) Asegure la tapa en la taza.
- 6) No retire el vaso de mezcla ni la tapa durante el funcionamiento.
- 7) No haga funcionar la licuadora más de 3 minutos.

### Cómo montar el vaso de la licuadora :

- 1 ) Retire la tapa pequeña (siga PG1.A) o gire la hebilla del anillo (siga PG1.B). PG1
- 2 ) Coloque la tapa B2 en el vaso de la licuadora B1 (seguida de PG2).
- 3 ) Coloque B3 en B2 y atorníllelo (seguido de PG3).
- 4 ) Cuando esté todo listo, gira en el sentido de las agujas del reloj y enrosca el frasco en la base (sigue PG4).



|                       |           |                           |
|-----------------------|-----------|---------------------------|
| B1: Vaso de licuadora | B2 : tapa | B3: Cilindro de cerradura |
|-----------------------|-----------|---------------------------|

### **Atención :**

Agregue los ingredientes retirando el cilindro de seguridad durante el funcionamiento. Preste mucha atención durante el funcionamiento. Una vez finalizado, desenchúfelo. Lave el recipiente después de usarlo.

### **Procedimientos de desmontaje después del uso :**

- 1) Gire en sentido antihorario hasta el nivel 0 y desenchufe.
- 2) Desenrosque el frasco y colóquelo sobre la mesa.
- 3) Saque B2 con la mano.
- 4) Sujete el mango de vidrio con una mano, sujete el cuerpo de vidrio con la otra mano e incline lentamente para verter el líquido.

### **Consejos recomendados :**

Retire las semillas y la cáscara dura de la fruta, córtela en una licuadora, viértala en una taza y luego añada agua. La cantidad óptima es de 600 gramos de alimento y 900 gramos de agua. No exceda la capacidad máxima del vaso de jugo. Tape y enrosque la jarra en la licuadora. Conecte la licuadora y ajuste la velocidad entre 4 y 6. Deténgala después de 3 minutos de funcionamiento. Para mantener un buen rendimiento, el tiempo total de funcionamiento no debe exceder los 15 minutos. Para un buen rendimiento de la máquina, el tiempo total de funcionamiento no debe exceder los 15 minutos.

## **Función de picadora de carne**

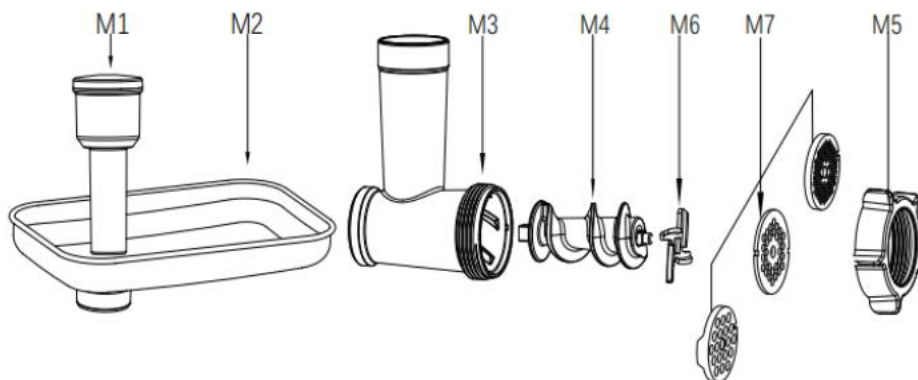
### **Cómo montar y utilizar la picadora de carne :**

- 1) Para instalar los accesorios de la picadora de carne, primero instale la cuchilla de la picadora de carne M6 en la cabeza del tornillo de la picadora de carne M4, coloque el cortador de la picadora de carne M7 requerido (orificio grueso, orificio mediano o orificio fino), preste atención a alinear la ranura entre el tamiz de la picadora de carne M7 y la picadora de carne m3, y apriete la tuerca de bloqueo M5 en la picadora de carne M3. (PG1)
- 2) Desmontar la cubierta frontal (PG2).
- 3) Presione el botón de expulsión en la parte frontal de la máquina, sujete la picadora de carne M 3, conéctela a la parte de transmisión de la cubierta frontal y gírela en sentido antihorario hasta la posición de bloqueo. (P G 3)
- 4) Alinee el puerto de descarga de la bandeja M 2 con el puerto de alimentación de la picadora de carne M 3 e instálelo en su lugar ( PG 4)

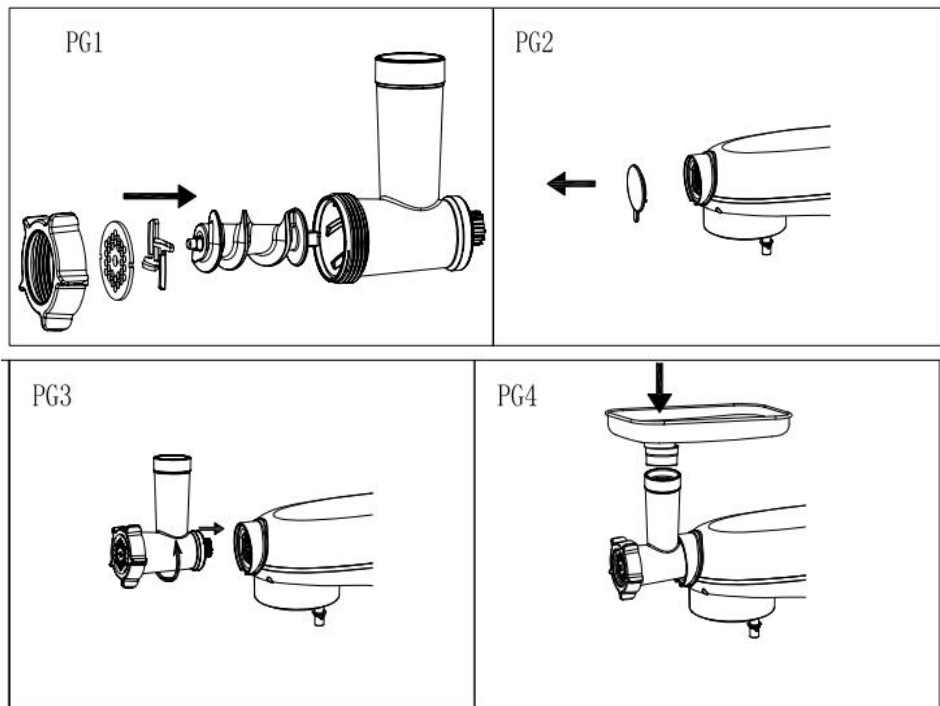
5) Coloque un recipiente a la salida de la picadora de carne. Limpie la carne de cerdo y córtela en tiras. El ancho no debe exceder la entrada de la bandeja M2.

6) Conecte el cable de alimentación a la toma de corriente. Ajuste la velocidad deseada. Coloque la carne en la bandeja M2 e introdúzcala en el puerto de alimentación. Utilice el empujador M1 para introducir la carne lentamente en el puerto de alimentación de la picadora. No introduzca los dedos en la picadora M3.

7) Después de usarlo, cambie a la posición 0 y desconecte el enchufe.



|    |                    |    |                   |
|----|--------------------|----|-------------------|
| M1 | Arribista          | M5 | Bloqueo de picado |
| M2 | Bandeja            | M6 | Cuchilla          |
| M3 | Vivienda de hélice | M7 | Tamiz             |
| M4 | Hélice             |    |                   |



### Sugerencias de recetas:

Retire el hueso de la carne y córtela en trozos de 2,5 cm. Conecte el enchufe a la toma de corriente, ajuste el control de velocidad entre 3 y 6 , coloque la carne en el recipiente y podrá procesar 3 kg de carne a la vez. Deje de usar la máquina después de 5 minutos de trabajo continuo, no de 15 minutos. Esto evitará que la máquina se vea afectada.

## Receta

### Panecillos de linaza

Ingredientes: 30 g de linaza, 40 g de agua, 250 g de harina de pan, 3 g de levadura seca, 30 g de azúcar, 3 g de sal, 10 g de leche en polvo, 20 g de mantequilla, 15 g de huevo líquido.

Proceso:

1. Remojar los 30 g de semillas de linaza en 40 g de agua durante 12 horas.
2. Ponga 250 g de harina de fuerza, 3 g de levadura seca, 30 g de azúcar, 3 g de sal, 10 g de leche en polvo y 150 g de agua en el bol. Use el gancho de amasar para amasar los ingredientes hasta obtener una masa homogénea, a los niveles 1-3. Añada 20 g de mantequilla y continúe

amasando hasta obtener una masa suave. Añada semillas de lino remojadas hasta que la masa esté bien integrada. Cubra con film transparente y deje fermentar hasta que doble su volumen en un lugar cálido.

3. Amasar bien de nuevo, retirar del bol y dividir en seis panecillos. Una vez redondeados, tapar los panecillos y dejar fermentar a 38 °C durante 1 hora.

4. Una vez terminada la fermentación, pincela la superficie del pan con líquido de huevo, ponlo penúltima capa en el horno precalentado, prender fuego arriba y abajo a 180°C y hornear durante 20 minutos, luego desmoldar y poner en la parrilla para que se enfríe.

### **pan tostado**

Ingredientes: 270 g de harina alta en gluten, 30 g de harina baja en gluten, 1 huevo, 3 g de sal, 55 g de azúcar, 4 g de levadura, 80 g de nata ligera, 10 g de leche en polvo, 90 g de agua.

Proceso:

1. Coloque todos los ingredientes en el tazón, use el gancho para masa para amasar los ingredientes hasta formar una masa en los niveles 1-3.

2. Mantenga la mezcla en un lugar cálido y deje que fermente hasta que duplique su tamaño.

3. Amasar bien una vez más, retirar del bol y dividir en 3 porciones, cubrir la masa con film conservante durante 15 minutos.

4. Tome una porción y enróllela en forma de lengua, doble ambos lados hacia el centro y enróllela de abajo hacia arriba. Después de enrollar las tres porciones, cúbralas con film transparente durante 15 minutos.

5. Después de terminar 3 porciones, colóquelas en el molde para la 2da fermentación, fermente hasta el 80% de la altura del molde. prenda fuego arriba y abajo a 170 °C y hornee durante 40 minutos, luego retire el molde y póngalo en la parrilla para que se enfríe.

### **Pizza casera**

Materias primas: 170 g de harina con alto contenido en gluten, 100 g de agua, 1,5 g de sal comestible, 15 g de azúcar blanco, 2 g de levadura, 15 g de mantequilla y un poco de relleno.

Proceso:

1. Ponga 170 g de harina con alto contenido de gluten, 100 g de agua, 1,5 g de sal comestible, 15 g de azúcar y 2 g de levadura en el bol. Mezcle con el gancho de amasar en los niveles 1-3. Después de amasar, añada la mantequilla y continúe amasando hasta que la masa se desprenda y forme una película flexible.

2. Deje fermentar la masa hasta que doble su tamaño en un lugar cálido.

3. Durante la fermentación se puede preparar el relleno de la pizza y reservarlo para utilizarlo más adelante.
  4. Amasar bien una vez más, tomar la mitad de la masa para enrollarla y dejarla reposar durante 5 minutos, luego usar un rodillo para estirla suavemente hasta el tamaño de un molde para pizza, colocarla en el molde para pizza, presionarla alrededor del molde para pizza con las manos, finalmente usar un tenedor para hacer pequeños agujeros.
  5. Ajuste el modo de calentamiento de los tubos superior e inferior del horno y precaliente a 200 °C. Unte primero la base del molde para pizza con aceite de oliva, luego distribuya la salsa para pizza uniformemente y espolvoree un poco de queso mozzarella y cebolla rallada. Coloque el molde para pizza de 20 cm en la segunda capa del horno precalentado y hornee durante 8 minutos.
  6. Cuando se acabe el tiempo, saca la bandeja de pizza y extiende una capa de tocino. Aquí puedes colocar tu comida favorita y el relleno preparado en orden.
  7. Colóquelo en el horno precalentado, configure el tiempo de trabajo durante 15 minutos hasta que el queso se derrita y la corteza esté dorada.
- ### Pan de mantequilla
- Ingredientes: 375 g de harina con alto contenido en gluten, 180 g de leche, 35 g de mantequilla, 30 g de azúcar, 11 g de leche en polvo, 4 g de levadura, 3 g de sal, 1 huevo.
- Proceso:
1. Ponga todos los ingredientes en el bol excepto la mantequilla, dejando 10 g de huevo para el pincelado final.
  2. Use el gancho para masa para mezclar en los niveles 1-3, luego de formar la masa, agregue mantequilla ablandada y continúe amasando hasta obtener una película de guante.
  3. Cubrir la mezcla con film conservante y dejar fermentar hasta que duplique su tamaño en un lugar cálido.
  4. Amasa bien de nuevo, retira del bol y divídela en 10 porciones. Toma una porción de masa y estírala formando un óvalo, luego enróllala de arriba a abajo.
  5. Coloque el papel engrasado en la bandeja para hornear, luego coloque la masa de pan enrollada en la bandeja, deje fermentar hasta que doble su tamaño en un lugar cálido.
  6. Pincele el líquido del huevo sobre la superficie de la masa de pan, precaliente el horno a 160 °C, coloque la masa de pan en la capa intermedia y hornee durante 20 minutos.

## **pan francés**

Ingredientes: 250 g de harina alta en gluten, 50 g de harina baja en gluten, 150 g de agua, 10 g de azúcar, 3 g de levadura en polvo, 1 g de sal comestible.

Proceso:

1. Coloque todos los ingredientes en el tazón, use el gancho para masa para mezclar en los niveles 1 a 3 y amase la masa hasta darle forma.
2. Cubra la mezcla con film conservante y deje fermentar hasta que duplique su tamaño en un lugar cálido.
3. Amasa bien de nuevo, retira del bol y divídela en 4 porciones. Toma una porción de masa y estírala formando un óvalo, luego enróllala de arriba a abajo.
4. Luego tapar con film conservante y dejar fermentar hasta que duplique su tamaño.
5. Pincele la superficie con aceite de sésamo, precaliente el horno a 180°C, coloque la masa de pan en la capa intermedia y hornee durante 20 minutos.

### **Pastel original**

Ingredientes: 100g de harina de repostería, 5 huevos, 50g de aceite comestible, 80g de azúcar, una pequeña cantidad de jugo de limón, 55g de leche.

Proceso:

1. Separar la clara de la yema, añadir 20 g de azúcar a la yema y batir con una batidora a velocidad 6 hasta que el azúcar se disuelva por completo. Añadir la leche y seguir batiendo uniformemente a velocidad 6.
2. Vierta el aceite comestible y continúe batiendo hasta que esté completamente emulsionado.
3. Vierta la harina para pastel a través de un colador y revuelva uniformemente hasta obtener una pasta fina de yema de huevo.
4. Ponga unas gotas de jugo de limón en la clara de huevo, agregue el azúcar tres veces y bata con un batidor de huevos hasta que tenga una consistencia de algodón.
5. Tome 1/3 de la clara de huevo, colóquela en la pasta de yema de huevo y revuelva uniformemente, vierta la pasta nuevamente sobre la clara de huevo restante y revuelva uniformemente hasta obtener una pasta de pastel fina.
6. Unte con aceite comestible la superficie del molde para pastel y luego vierta la pasta para pastel en el molde.
7. Precaliente el horno a 150 °C, configure el modo de calentamiento de los tubos superior e inferior y el tiempo de horneado en 50 minutos, luego hornee hasta que tenga un color dorado.

### **Pastel de chocolate**

Ingredientes: 150 g de huevo líquido, 50 g de leche pura, 40 g de cacao en polvo, 80 g de azúcar blanco.

Proceso:

1. Agregue 150 g de líquido de huevo, bata con un batidor de huevos a nivel 6 hasta que tenga una consistencia de algodón, luego sáquelo y reserve.
2. Coloque 80 g de azúcar blanca, 50 g de leche y 40 g de cacao en polvo en un bol y revuelva hasta obtener un polvo fino con una paleta mezcladora a nivel 6.
3. Vierta el polvo fino preparado en el líquido del huevo batido y mezcle bien.
4. Vierta las materias primas mezcladas en el molde para hornear untado con aceite y póngalo en el horno para hornear a 180 ° C.
5. Después de hornearlos y darles forma, sáquelos del molde y espere a que se enfríen antes de consumirlos.

### **Pastel de helado de chocolate**

Ingredientes: 140g de queso crema, 140g de chocolate negro, 220g de leche, 100g de azúcar glas, 240g de nata montada, 2g de sal comestible.

Proceso:

1. Se envuelve el exterior del molde cuadrado con papel de aluminio y se coloca un círculo de papel de horno en el interior.
2. Añade azúcar en polvo y una pizca de sal al queso crema y mézclalo con una batidora.
3. Picar el chocolate negro y calentarlo hasta que se derrita. Verterlo sobre el queso y mezclarlo uniformemente con una varilla. Retirar y colocar en una bandeja para su uso posterior.
4. Ponga la crema batida en la olla y luego revuelva hasta que tenga una consistencia casi de algodón.
5. Agrega la crema batida en 2 veces al queso de chocolate y revuelve uniformemente, luego vierte la leche en 2 veces y vuelve a mezclar bien.
6. Finalmente, viértalo en el molde y refrigérelo durante varias horas. Sáquelo y desmóldelo.

## **Análisis de problemas comunes**

| <b>Fenómenos</b> | <b>causas</b> | <b>Soluciones</b> |
|------------------|---------------|-------------------|
|------------------|---------------|-------------------|

|  |  |  |
|--|--|--|
| <p>La máquina deja de funcionar repentinamente durante el uso.</p> | <p>Es posible que la máquina funcione durante demasiado tiempo o que la temperatura ambiente sea demasiado alta, lo que provoca que la temperatura del motor de la máquina sea demasiado alta; la máquina inicia el programa de protección contra sobrecalentamiento y se apaga automáticamente.</p> | <p>El engranaje se reinicia a "0", se desenchufa, se espera a que la máquina vuelva a la temperatura ambiente y se puede reiniciar (generalmente se necesitan entre 15 y 30 minutos, la temperatura ambiente varía el tiempo de enfriamiento).</p>     |
| <p>Al girar la perilla de cambio la máquina no funciona</p>        | <p>Compruebe si el enchufe hace buen contacto con la toma.</p>   | <p>Verifique que el enchufe de alimentación esté enchufado a la toma de corriente.</p>   |
|  | <p>Compruebe si hay un corte de electricidad.</p>  | <p>Espere a que se encienda antes de operar</p>  |
|  | <p>Verifique si el botón de subida vuelve a su lugar.</p>  | <p>Asegúrese de que el cabezal esté fijado en su lugar.</p>  |
| <p>Ruido excesivo cuando la máquina está en funcionamiento</p>     | <p>① La máquina funcionará más ruidosamente en marcha alta que en marcha baja.<br/>② La cantidad de alimento revuelto es demasiado grande, lo que provoca una sobrecarga de la máquina.<br/>③ El voltaje es</p>  | <p>① Elija el equipo adecuado para remover los alimentos según las recomendaciones del manual.<br/>② Reducir la cantidad de agitación.<br/>③ Si el voltaje es inestable, espere a que se estabilice antes de usarlo.<br/>④ Si el tiempo de trabajo</p> |

|  |  |  |
|--|--|--|
|  | <p>inestable.<br/>4El tiempo de trabajo es demasiado largo.</p>  | <p>es demasiado largo, deténgase y enfríese por un rato antes de usarlo.</p>   |
| <p>La velocidad de la máquina disminuye o la velocidad es inestable</p>  | <p>① Si la temperatura ambiente es baja, el lubricante de la máquina se endurece.<br/>② Los ingredientes mezclados son demasiado duros y en demasiada cantidad, lo que genera una carga excesiva en la máquina.<br/>③ Si el voltaje se vuelve bajo repentinamente.</p> | <p>① Retire el recipiente de mezcla y deje que la máquina funcione en vacío durante 5 minutos para ablandar el lubricante en la máquina y restablecer la estabilidad de la velocidad.<br/>② Reduzca el volumen de mezcla y deje que la máquina funcione de acuerdo con la carga de trabajo normal.<br/>③ Cuando el voltaje sea estable, utilice la máquina nuevamente.</p> |
| <p>La máquina se balancea y tiembla al trabajar</p>  | <p>① Verifique que la almohadilla del pie en la base esté apagada.<br/>② Si la máquina se coloca sobre una encimera lisa y plana para su uso.</p>  | <p>① Verifique que la almohadilla del pie en la base esté apagada.<br/>② Colóquelo sobre una encimera lisa y plana para su uso.</p>  |
| <p>El cabezal no puede volver a su posición original después de colocar la cubierta antisalpaduras y el recipiente para mezclar.</p> | <p>Compruebe que la cubierta antisalpaduras esté colocada y que el recipiente de mezcla esté ensamblado.</p>   | <p>Gire la cubierta antisalpaduras y móntela en su lugar, y vuelva a montar el recipiente de mezcla en su lugar.</p>   |

|   |  |  |
|---|--|--|
| <p>Se detectó oscurecimiento de la masa después de su uso</p> | <p>El polvo negro cae sobre la masa en el cabezal de mezcla.</p> | <p>Compruebe que el cabezal mezclador y el gancho estén secos y que no haya agua ni polvo en la superficie antes de usarlos.</p> |
|---|--|--|

## Limpieza

|                               |  |
|-------------------------------|--|
| <p>Limpieza corporal</p>      | <ol style="list-style-type: none"> <li>1. No sumerja la máquina en agua. No rocíe directamente sobre la máquina para evitar que entre agua en el cuerpo del dispositivo y así evitar cortocircuitos, descargas eléctricas, fugas, oxidación y otras fallas.</li> <li>2. No utilice una toalla mojada para limpiar la máquina.</li> <li>3. No utilice detergentes, vinagre, sal ni otros productos de limpieza corrosivos, fuertemente ácidos o alcalinos para limpiar el cuerpo de la máquina, ya que de lo contrario podrían dañar la superficie de la máquina.</li> <li>4. No utilice herramientas afiladas ni ásperas, como bolas de alambre, para cepillar los accesorios. De lo contrario, podría dañar su superficie.</li> </ol> |
| <p>Limpieza de accesorios</p> | <ol style="list-style-type: none"> <li>1. No lave las piezas de aluminio fundido en el lavavajillas ni con productos de limpieza corrosivos, muy ácidos o alcalinos. No las lave en el lavavajillas (excepto las piezas de acero inoxidable, las piezas de teflón con tratamiento superficial y las piezas de electroforesis).</li> <li>2. No lo sumerja durante mucho tiempo en detergente, agua salada, vinagre y otros líquidos corrosivos; úselo a tiempo para limpiar los accesorios.</li> <li>3. Después de limpiar, seque los accesorios, principalmente para mantener las partes internas secas a tiempo.</li> </ol>   |

|                              |   |
|------------------------------|---|
| Limpieza especial            | <p>1. El eje de salida giratorio producirá una pequeña mancha negra debido a la alta velocidad y la fricción durante el funcionamiento de la máquina. Después de cada uso, límpielo inmediatamente y manténgalo seco.</p> <p>2. Preste atención a la cuchilla afilada y a las piezas o accesorios con bordes afilados relacionados.</p> |
| Conservación y mantenimiento | <p>1. Puede usar aceite de oliva para aplicarlo en la superficie de la hoja, la placa del cuchillo y el recipiente de mezcla para garantizar que el ambiente esté seco y húmedo para oxidarlo.</p> <p>2. Cuando no esté en uso, puede cubrir la máquina con una bolsa de embalaje y colocarla en un ambiente seco.</p>                  |

**Fabricante:** Shanghaimuxinmuyeyouxiangongsi

**Dirección:** Shuangchenglu 803nong11hao1602A-1609shi, baoshanqu, Shanghái 200000 CN.

**Importado a AUS:** SIHAO PTY LTD. 1 ROKEVA STREET EASTWOOD NSW 2122 Australia

**Importado a EE. UU.:** Sanven Technology Ltd. Suite 250, 9166 Anaheim Lugar, Rancho Cucamonga, CA 91730

|    |     |
|----|-----|
| UK | REP |
|----|-----|

YH CONSULTING LIMITED. C/O YH Consulting Limited Office 147, Centurion House, London Road, Staines-upon-Thames, Surrey, TW18 4AX

|    |     |
|----|-----|
| EC | REP |
|----|-----|

E-CrossStu GmbH  
Mainzer Landstr.69,  
60329 Frankfurt am Main.





# VEVOR

**Affordable. Reliable. Home Improvement.**

**Mikser stojący**

**Model: SM-1503BM**

# VEVOR




Affordable. Reliable. Home Improvement.

## Stand Mixer

**Model: SM-1503BM**



To jest oryginalna instrukcja obsługi. Przed użyciem prosimy o dokładne zapoznanie się z treścią instrukcji. Firma VEVOR zastrzega sobie prawo do jednoznacznej interpretacji niniejszej instrukcji obsługi. Wygląd produktu zależy od stanu, w jakim go otrzymali Państwo. Prosimy o wyrozumiałość, ale nie będziemy Państwa ponownie informować o aktualizacjach technologicznych lub oprogramowania naszego produktu.

|   |   |
|---|---|
|  | <p>Ostrzeżenie – Aby zmniejszyć ryzyko obrażeń, użytkownik musi przeczytać uważnie przeczytaj instrukcję obsługi.</p>   |
|   | <p>Ostrzeżenie – wyłącznie do użytku wewnątrz pomieszczeń</p>   |
|   | <p style="text-align: center;"><b>PRAWIDŁOWA UTYLIZACJA</b></p> <p>Niniejszy produkt podlega postanowieniom dyrektywy europejskiej 2012/19/WE. Symbol przedstawiający przekreślony kosz na śmieci na kółkach przez oznacza, że produkt wymaga oddzielnego składowania odpadów zbiórka w Unii Europejskiej. Dotyczy produktu oraz wszystkie akcesoria oznaczone tym symbolem. Produkty oznaczone w związku z tym nie można go wyrzucać wraz z normalnymi odpadami domowymi, ale należy oddać do punktu zbiórki w celu recyklingu urządzeń elektrycznych i urządzenia elektroniczne</p> |

## Ogólne instrukcje bezpieczeństwa

**Przed uruchomieniem urządzenia należy uważnie przeczytać instrukcję obsługi i zachować ją wraz z gwarancją, paragonem oraz, jeśli to możliwe, pudełkiem z opakowaniem wewnętrznym.**

**Przekazując urządzenie innym osobom, prosimy o przekazanie im również instrukcji obsługi.**

- Urządzenie jest przeznaczone wyłącznie do użytku prywatnego i zgodnie z przeznaczeniem. Urządzenie nie nadaje się do użytku komercyjnego. Nie należy go używać na zewnątrz (chyba że jest do tego przeznaczone). Trzymać z dala od źródeł ciepła, bezpośredniego światła słonecznego, wilgoci (nigdy nie zanurzać w żadnym płynie) i ostrych krawędzi. Nie używać urządzenia mokrymi rękami. Jeśli urządzenie jest wilgotne lub mokre, należy natychmiast odłączyć je od zasilania.
- Podczas czyszczenia lub odkładania urządzenia należy je wyłączyć i zawsze wyciągać wtyczkę z gniazdka (ciągnąć za wtyczkę, nie za kabel), jeśli nie jest używane, a także zdjąć dołączone do urządzenia akcesoria.

- Nie obsługuj maszyny bez nadzoru. Jeśli opuszczasz miejsce pracy, zawsze wyłączaj maszynę lub wyjmuj wtyczkę z gniazdka (pociągnij za samą wtyczkę, a nie za przewód).
- Regularnie sprawdzaj urządzenie i kabel pod kątem uszkodzeń. Nie używaj urządzenia, jeśli jest uszkodzone. Nie próbuj naprawiać urządzenia samodzielnie. Zawsze skontaktuj się z autoryzowanym technikiem. Jeśli przewód zasilający jest uszkodzony, musi zostać wymieniony przez producenta, serwisanta lub osobę o podobnych kwalifikacjach, aby uniknąć zagrożenia.
- Używaj wyłącznie oryginalnych części zamiennych.
- Należy zwrócić szczególną uwagę na poniższe „Specjalne instrukcje bezpieczeństwa”.

### **Dzieci i osoby słabe**

- Aby zapewnić bezpieczeństwo Twoim dzieciom, trzymaj wszystkie opakowania (torby plastikowe, pudełka, styropian itp.) poza ich zasięgiem. Uwaga! Nie pozwalaj małym dzieciom bawić się folią, ponieważ istnieje niebezpieczeństwo uduszenia!
- Podczas korzystania z dodatkowego blendera i siekacza, urządzenie nie powinno być obsługiwane przez dzieci. Trzymaj urządzenie i jego przewód poza zasięgiem dzieci.
- To urządzenie nie jest zabawką. Dzieci nie powinny bawić się tym urządzeniem.
- Urządzenia mogą być używane przez osoby o ograniczonej sprawności fizycznej, sensorycznej lub umysłowej lub nieposiadające doświadczenia i wiedzy, jeśli zapewniono im nadzór lub instruktaż dotyczący bezpiecznego korzystania z urządzenia i czy rozumieją związane z tym zagrożenia.

### **Specjalne instrukcje bezpieczeństwa dla tej maszyny**

- Zawsze odłączaj urządzenie od zasilania, jeśli jest pozostawione bez nadzoru oraz przed montażem lub demontażem. lub czyszczenia.
- Przed wymianą akcesoriów lub zbliżaniem się do części, które mogą ulec uszkodzeniu, należy wyłączyć urządzenie i odłączyć je od zasilania. Przenieść do użytkowania. Nie używać urządzenia niezgodnie z jego przeznaczeniem .
- UWAGA: Aby uniknąć zagrożenia w wyniku przypadkowego zresetowania wyłącznika termicznego, urządzenie to musi być wyłączone. nie może być zasilany za pomocą zewnętrznego urządzenia przełączającego, takiego jak timer, ani podłączony do obwodu, który jest regularnie włączane i wyłączane przez dostawcę usług.
- Używaj tego urządzenia wyłącznie pod nadzorem.
- Nie należy ingerować w wyłączniki bezpieczeństwa.

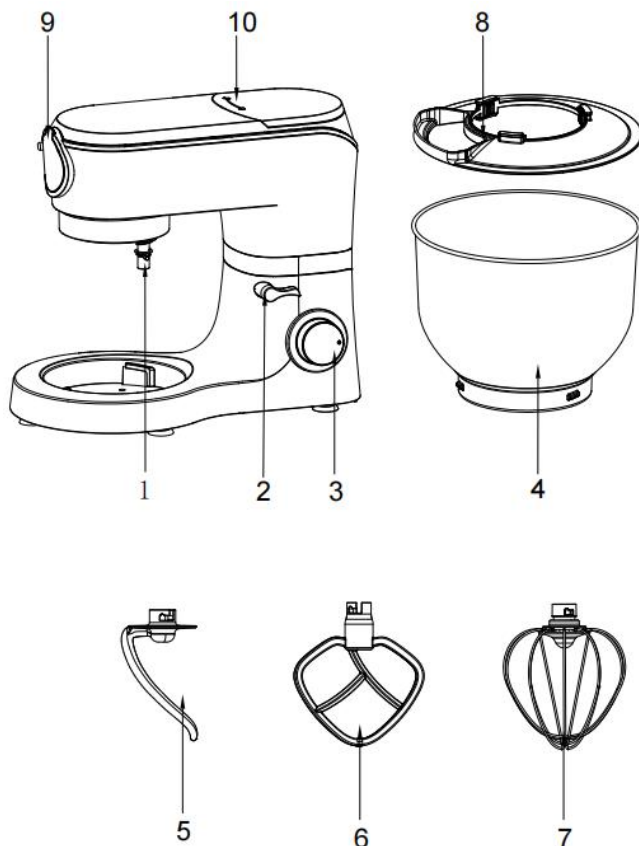
- Podczas pracy maszyny nie należy wkładać żadnych przedmiotów do obracających się haków.
- Ustaw maszynę na gładkiej, płaskiej i stabilnej powierzchni roboczej.
- Nie należy podłączać wtyczki sieciowej urządzenia do gniazdka elektrycznego, jeśli nie zainstalowano wszystkich niezbędnych akcesoriów.
- - Urządzenie to nie jest przeznaczone do użytku przez osoby (w tym dzieci) o ograniczonej sprawności fizycznej, sensorycznej lub umysłowej, a także osoby nieposiadające odpowiedniego doświadczenia i wiedzy, chyba że osoba odpowiedzialna za ich bezpieczeństwo sprawuje nad nimi nadzór lub udzieli im wskazówek dotyczących korzystania z urządzenia.
- - Dzieci powinny znajdować się pod nadzorem, aby mieć pewność, że nie bawią się urządzeniem.
- - Z urządzenia mogą korzystać dzieci w wieku od 8 lat oraz osoby o ograniczonej sprawności fizycznej, sensorycznej lub umysłowej, a także osoby nieposiadające odpowiedniego doświadczenia i wiedzy, jeśli znajdują się pod nadzorem lub otrzymały instrukcje dotyczące bezpiecznego korzystania z urządzenia i rozumieją związane z tym zagrożenia.
- - Jeśli przewód zasilający jest uszkodzony, musi zostać wymieniony przez producenta, jego przedstawiciela serwisowego lub podobnie wykwalifikowaną osobę, aby uniknąć zagrożenia
- - Urządzenie to jest przeznaczone do użytku domowego i podobnych zastosowań, takich jak: – kuchnie dla pracowników w sklepach, biurach i innych miejscach pracy; – gospodarstwa rolne; – przez klientów w hotelach, motelach i innych obiektach mieszkalnych; – obiekty typu bed and breakfast.
- - To urządzenie nie powinno być używane przez dzieci. Trzymaj urządzenie i jego przewód poza zasięgiem dzieci.
- -- To urządzenie może być używane przez dzieci w wieku od 8 lat, pod warunkiem nadzoru lub poinstruowania ich w zakresie bezpiecznego użytkowania urządzenia oraz zrozumienia związanych z tym zagrożeń. Czyszczenie i konserwacja urządzenia nie powinny być wykonywane przez dzieci, chyba że ukończyły 8 lat i są pod nadzorem. Przechowuj urządzenie i jego przewód w miejscu niedostępnym dla dzieci poniżej 8. roku życia.
- - Zawsze odłączaj urządzenie od zasilania, jeśli pozostawiasz je bez nadzoru, a także przed montażem, demontażem lub czyszczeniem.
- W przypadku modelu SM-1505BM pobór mocy wynosił 0,4 W w trybie wyłączonym.
- Okres, po którym urządzenie automatycznie przeszło w tryb wyłączenia, był krótszy niż 1 minuta.

• **UWAGA:** Przed zdjęciem blendera ze stojaka należy upewnić się, że jest wyłączony.

## Specyfikacja

|                            |            |
|----------------------------|------------|
| <b>Model</b>               | SM-1503BM  |
| <b>Napięcie znamionowe</b> | AC220-240V |
| <b>częstotliwość</b>       | 50-60Hz    |
| <b>Pobór mocy</b>          | 1500 W     |

## Nazwy różnych części



### Części główne i części standardowe :

|   |                    |    |                  |
|---|--------------------|----|------------------|
| 1 | Wał wyjściowy      | 6  | Trzepak          |
| 2 | Przycisk wzrostu   | 7  | Śmigac           |
| 3 | Przycisk prędkości | 8  | Pokrywa miski    |
| 4 | Miska              | 9  | Okladka przednia |
| 5 | Hak do ciasta      | 10 | Tylna okładka    |

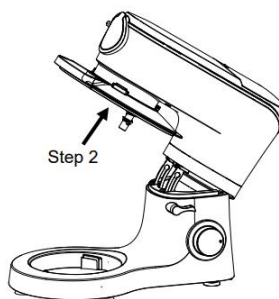
## Jak korzystać z maszyny

1. Przed użyciem należy umyć akcesoria czystą wodą, opłukać i wysuszyć.

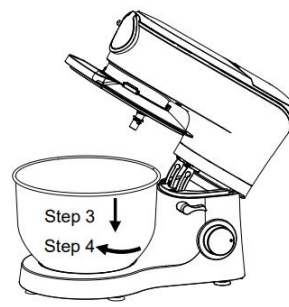
2. Umieść maszynę na płaskim, czystym i suchym stole, Naciśnij głowicę maszyny i obróć ją ponownie pokrętko podnoszenia głowy (2) Krok 1, górna część ciała podniesie się automatycznie. (PG 1 i 2).
3. Zamontuj pokrywkę garnka w końcówce mieszającej urządzenia zgodnie z krokiem 2.
- 4 . Zważ żywność i wodę przeznaczoną do przetworzenia w misce miksującej, następnie zamontuj miskę miksującą (4) na maszynie (krok 3) , obracając ją zgodnie z ruchem wskazówek zegara, aż klamra zostanie wkręcona i zablokowana (krok 4) ; (PG3)
5. Nie przekraczaj dopuszczalnej masy ciasta – całkowita waga może wynieść 1,5 kg;
6. Zamontuj wymagane akcesoria (5), (6) i (7) (można używać tylko jednego z trzech na raz) na wałku wyjściowym mieszadła głowicy (1). krok 5 , przesun akcesoria do góry, a następnie obróć o ćwierć obrotu w kierunku przeciwnym do ruchu wskazówek zegara do pozycji zablokowanej krok 6 ; (PG4&5)
7. Naciśnij głowicę maszyny, maszyna automatycznie zablokuje przycisk głowicy (2) krok 7 , który znajduje się w pozycji poziomej; (PG6).
8. Następnie podłącz wtyczkę i włącz przełącznik zasilania.
9. Pokrętkiem (3) ustawić żadaną prędkość – rozpocząć mieszanie ;
10. Gdy ciasto spełni wymagania, należy przekręcić pokrętko prędkości (3) z powrotem na bieg 0, aby zakończyć.
11. Naciśnij głowicę maszyny ręcznie, obróć pokrętko podnoszenia (2) zgodnie z ruchem wskazówek zegara, unieś górną część korpusu, obróć miskę mieszającą w kierunku przeciwnym do ruchu wskazówek zegara, wyjmij miskę mieszającą i wyjmij ciasto .
12. Przed wymianą akcesoriów lub zbliżaniem się do części ruchomych urządzenia wyłącz je i odłącz od zasilania.



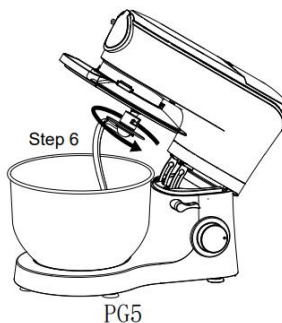
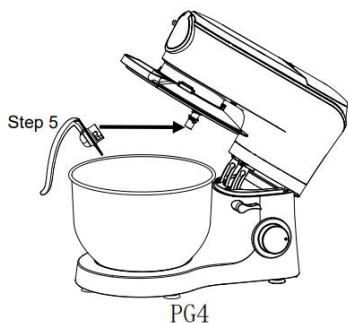
PG1



PG2

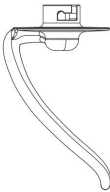




PG3



## Sugestia

Regulacja poziomów i używanie haka przy mieszaniu nie więcej niż 1,5 kg mieszanki

| Akcesoria     | Zdjęcie   | Prędkość | Czas (minimum) | Maksymalnie              | Metoda działania  |
|---------------|---|----------|----------------|--------------------------|---|
| Hak do ciasta |   | 1-3      | 3-5            | 1000 g mąki + 538 g wody | Wykonaj 30 sekund przy 1 prędkości, 30 sekund przy 2 prędkościach, a następnie 3 prędkościach przez 2-4 minuty, aby utworzyć klaster. |
| Trzepak       |  | 2-4      | 3-10           | 660 g mąki + 840 g wody  | Bieg na 2 prędkościach przez 20 sekund, bieg na 4 prędkościach przez ponad 2 minuty i 40  |

|        |   |     |      |                    |  |
|--------|---|-----|------|--------------------|--|
|        |   |     |      |                    | sekund   |
| Śmigac |  | 5-6 | 3-10 | 3 białka jaj (min) | Otwórz 5 lub 6 prędkość, aby pracować 3 minuty dłużej. |

### Zastosowania i wskazówki dotyczące Blendera :

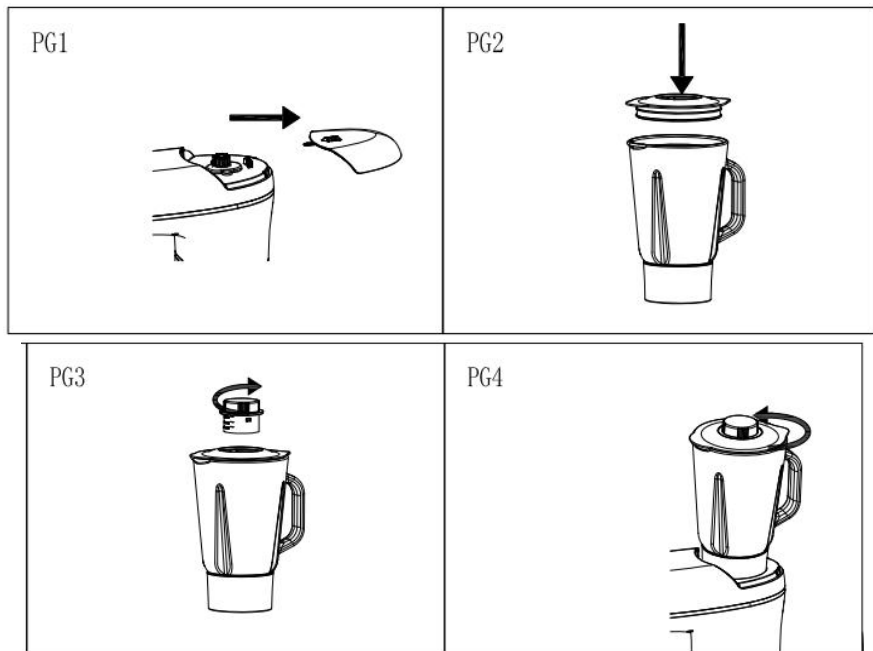
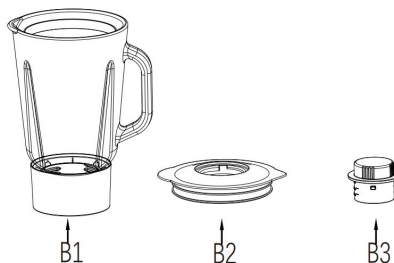
Blender może miksować żywność. Używaj tego urządzenia kuchennego do przygotowywania zup, sosów, koktajli mlecznych, jedzenia dla niemowląt, warzyw, napojów, deserów, przecierów itp. Stałe pokarmy należy pokroić na małe kawałki.

### Ostrożność :

- 1) Przed użyciem blendera nie podłączaj go do gniazdka. Przed użyciem upewnij się, że blender został prawidłowo zainstalowany, a pokrywa jest dobrze zamknięta.
- 2) Po zakończeniu miksowania odłącz urządzenie od zasilania i wyjmij pojemniki blendera z urządzenia.
- 3) Nie wkładaj do kubka jedzenia o temperaturze powyżej 80°C.
- 4) Płyn Optinum to nie więcej niż 1,5L.
- 5) Załóż pokrywkę na kubek.
- 6) Nie zdejmuj pojemnika miksującego ani pokrywki w trakcie pracy urządzenia.
- 7) Nie uruchamiaj blendera dłużej niż 3 minuty.

### Jak złożyć kubek blendera :

- 1 ) Zdejmij małą pokrywkę (następnie PG1.A) lub obróć klamrę pierścieniową (następnie PG1.B). PG1
- 2 ) Załóż pokrywkę B2 na pojemnik blendera B1 (a następnie PG2).
- 3 ) Umieść B3 w B2 i przykręć (następnie PG3).
- 4 ) Gdy wszystko będzie gotowe, zgodnie z ruchem wskazówek zegara przykręć słoik do podstawy (a następnie PG4).



|                    |              |                    |
|--------------------|--------------|--------------------|
| B1: Kubek blendera | B2 : pokrywa | B3: Cylinder zamka |
|--------------------|--------------|--------------------|

**Uwaga :**

Dodawaj składniki, wyjmując cylinder blokady podczas pracy. Zachowaj szczególną ostrożność podczas pracy. Po zakończeniu pracy odłącz urządzenie od zasilania. Po użyciu umyj dzbanek.

**Procedury demontażu po użyciu :**

- 1) Obróć w kierunku przeciwnym do ruchu wskazówek zegara do poziomu 0 i odłącz.
- 2) Odkręć słoik i postaw go na stole.
- 3) Wyjmij B2 ręką.

4) Jedną ręką przytrzymaj uchwyt szklanki, drugą ręką chwyć korpus szklanki i powoli przechyl, aby wylać płyn.

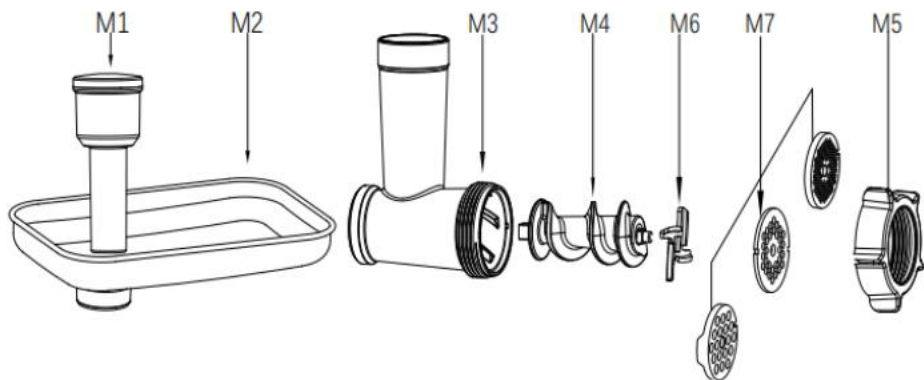
#### **Poleć wskazówki :**

Usuń pestki i twardą skórkę z owoców, pokrój je na kawałki, włóż do kubka i zalej wodą. Optymalna ilość soku to 600 gramów, a wody 900 gramów. Nie przekraczaj maksymalnej pojemności kubka. Załóż pokrywkę i zakręć dzbanek blendera. Podłącz blender do prądu i ustaw prędkość na 4–6. Zatrzymaj urządzenie po 3 minutach pracy. Aby utrzymać wysoką wydajność, całkowity czas pracy nie powinien przekraczać 15 minut. Aby zapewnić dobrą wydajność maszyny, całkowity czas operacji nie powinien przekroczyć 15 minut.

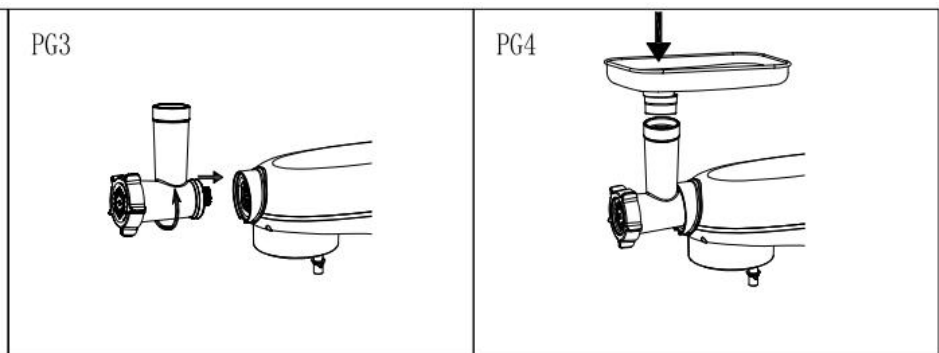
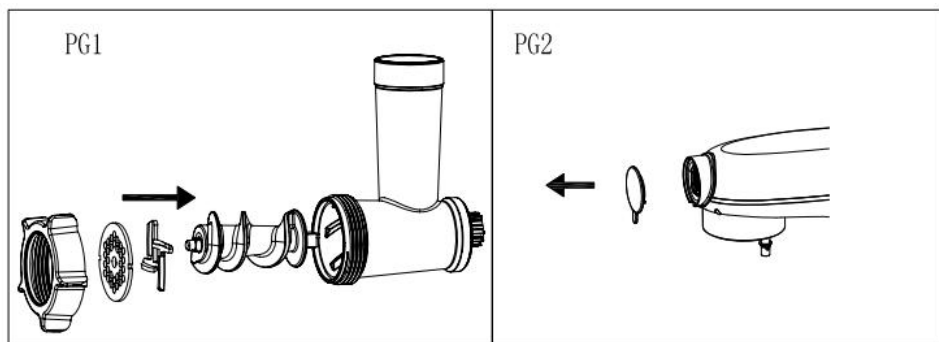
## **Funkcja maszynki do mięsa**

### **Jak złożyć i używać maszynki do mielenia mięsa :**

- 1) Aby zainstalować akcesoria maszynki do mięsa, najpierw zamontuj ostrze maszynki do mięsa M6 na głowicy śruby M4 maszynki do mięsa, załóż wymagany nóż maszynki do mięsa M7 (otwór gruby, średni lub drobny), zwróć uwagę na wyrównanie rowka między sitem maszynki do mięsa M7 a maszynką do mięsa m3, a następnie dokręć nakrętkę blokującą M5 na maszynce do mięsa M3. (PG1)
- 2) Zdemontuj przednią pokrywę (PG2).
- 3) Naciśnij przycisk wysuwania z przodu urządzenia, przytrzymaj maszynkę do mięsa M 3, podłącz ją do części przekładniowej przedniej pokrywy i obróć w kierunku przeciwnym do ruchu wskazówek zegara do pozycji zablokowanej. (P G 3)
- 4) Wyrównaj otwór wylotowy tacy M2 z otworem podającym maszynki do mięsa M3 i zamontuj ją na miejscu ( PG 4).
- 5) Umieść pojemnik na wylocie z maszynki do mięsa. Oczyść wieprzowinę i pokrój ją w paski. Szerokość nie powinna przekraczać otworu wlotowego podajnika M2.
- 6) Włóż wtyczkę przewodu zasilającego do gniazdka. Następnie ustaw pokrętko prędkości na żądany bieg, połóż mięso na tacce M2 i włóż je do otworu wsadowego. Użyj popychacza M1, aby powoli wpychać mięso do otworu wsadowego maszynki do mięsa. Nie wkładaj palców do maszynki do mięsa M3.
- 7) Po użyciu należy przełączyć urządzenie na ustawienie 0 i odłączyć je od zasilania.



|    |               |    |              |
|----|---------------|----|--------------|
| M1 | Popychacz     | M5 | Mincing Lock |
| M2 | Taca          | M6 | Ostrze       |
| M3 | Obudowa Helix | M7 | Sito         |
| M4 | Spirala       |    |              |



### **Propozycje przepisów:**

Wyjmij kość z mięsa i pokrój je na kawałki o długości 2,5 cm. Włóż wtyczkę do gniazdka, ustaw prędkość na 3-6 , włóż mięso do pojemnika i miksuj nieprzerwanie 3 kg na raz. Przerwij pracę po 5 minutach ciągłej pracy, a nie po 15 minutach. Nie wpłynie to negatywnie na wydajność urządzenia.

## **Przepis**

### **Bułki Iniane**

Składniki: 30 g siemienia Inianego, 40 g wody, 250 g mąki chlebowej, 3 g suchych drożdży, 30 g cukru, 3 g soli, 10 g mleka w proszku, 20 g masła, 15 g płynu jajecznego

Proces:

1. Namocz 30 g siemienia Inianego w 40 g wody przez 12 godzin
2. Wsyp do miski 250 g mąki chlebowej, 3 g suchych drożdży, 30 g cukru, 3 g soli, 10 g mleka w proszku i 150 g wody. Za pomocą haka do ciasta wyrabiaj ciasto na poziomach 1-3. Następnie dodaj 20 g masła i kontynuuj wyrabianie ciasta, aż będzie gładkie. Następnie dodaj namoczone siemię Iniane, aż ciasto będzie dobrze wyrobione. Przykryj folią spożywczą i odstaw do fermentacji w ciepłym miejscu, aż podwoi swoją objętość.
3. Jeszcze raz dokładnie zagnieć, wyjmij z miski i podziel na sześć bułeczek. Po uformowaniu bułeczek przykryj je i pozostaw do fermentacji w temperaturze 38°C na 1 godzinę.
4. Po zakończeniu fermentacji powierzchnię chleba posmaruj płynem jajecznym, połóż na Przedostatnią warstwę włożyć do nagrzanego piekarnika, rozpalić w temperaturze 180°C i piec przez 20 minut, następnie wyjąć foremkę i położyć na grillu, aby ostygło.

### **Chleb tostowy**

Składniki: 270 g mąki o wysokiej zawartości glutenu, 30 g mąki o niskiej zawartości glutenu, 1 jajko, 3 g soli, 55 g cukru, 4 g drożdży, 80 g śmietanki kremówki, 10 g mleka w proszku, 90 g wody.

Proces:

1. Umieść wszystkie składniki w misce miksera, za pomocą haka do ciasta wyrabiaj ciasto na poziomach 1-3.
2. Przechowuj mieszankę w ciepłym miejscu i pozwól jej fermentacji podwoić swoją objętość.
3. Jeszcze raz dokładnie wyrobić, wyjąć z miski i podzielić na 3 części, przykryć folią spożywczą na 15 minut

4. Weź jedną porcję i zwiń ją w język, złożź oba boki do środka i zwiń od dołu do góry. Po zwinieniu wszystkich trzech, przykryj rulon folią spożywczą na 15 minut.
5. Po przygotowaniu 3 porcji przełóż je do formy w celu przeprowadzenia drugiej fermentacji, do momentu aż ciasto osiągnie 80% wysokości formy. Rozgrzej ogień do 170°C i piecz przez 40 minut, następnie wyjmij formę i umieść ją na grillu, aby ostygła.

## **Pizza Domowa**

Surowce: 170 g mąki o wysokiej zawartości glutenu, 100 g wody, 1,5 g soli spożywczej, 15 g białego cukru, 2 g drożdży, 15 g masła i trochę nadzienia.

Proces:

1. Do miski wsyp 170 g mąki o wysokiej zawartości glutenu, 100 g wody, 1,5 g soli kuchennej, 15 g cukru i 2 g drożdży. Wymieszaj hakiem do ciasta na poziomach 1-3. Po wyrobieniu ciasta dodaj masło i kontynuuj wyrabianie, aż będzie można je rozciągnąć i utworzyć elastyczną folię.
2. Pozostaw ciasto do wyrośnięcia w ciepłym miejscu, aż podwoi swoją objętość.
3. W trakcie fermentacji można przygotować nadzienie do pizzy i zachować je do późniejszego wykorzystania.
4. Jeszcze raz dokładnie zagnieć, weź połowę ciasta, rozwałkuj i odstaw na 5 minut, a następnie użyj wałka do ciasta, aby delikatnie rozwałkować je do wielkości formy do pizzy, połóż na formie, dociśnij rękoma do formy, a na koniec użyj widelca, aby zrobić małe dziurki.
5. Ustaw piekarnik na tryb grzania górnego i dolnego, rozgrzej do 200°C. Najpierw posmaruj dno formy do ciasta oliwą z oliwek, następnie nałóż sos do pizzy i równomiernie go rozprowadź. Następnie posyp odrobiną mozzarelli i posiekaną cebulą. Włóż formę do pizzy o średnicy 20 cm do drugiej warstwy rozgrzanego piekarnika i piecz przez 8 minut.
6. Po upływie czasu wyjmij blachę do pizzy i rozłóż na niej warstwę bekonu. Możesz ułożyć swoje ulubione danie i przygotowany farsz.
7. Wstaw do nagrzanego piekarnika, ustaw czas pieczenia na 15 minut, aż ser się roztopi i ciasto będzie złociste.

Chleb maślany

Składniki: 375 g mąki o wysokiej zawartości glutenu, 180 g mleka, 35 g masła, 30 g cukru, 11 g mleka w proszku, 4 g drożdży, 3 g soli, 1 jajko

Proces:

1. Umieść wszystkie składniki w misce miksującej, oprócz masła, pozostawiając 10 g jajka do końcowego posmarowania.

2. Za pomocą haka do ciasta mieszaj na poziomach 1-3. Po uformowaniu ciasta dodaj zmiękczone masło i kontynuuj wyrabianie, aż ciasto będzie przypominało folię.
3. Przykryj mieszankę folią spożywczą i odstaw do fermentacji w ciepłym miejscu, aż jej objętość podwoi się.
4. Jeszcze raz dokładnie zagnieć, wyjmij z miski i podziel na 10 porcji. Weź porcję ciasta i rozwałkuj ją na owalny kształt, a następnie zwiń od góry do dołu.
5. Na blaszce do pieczenia rozłóż natłuszczony papier, a następnie wyłóż na nią rozwałkowane ciasto chlebowe i odstaw do wyrośnięcia w ciepłym miejscu, aż podwoi swoją objętość.
6. Posmaruj powierzchnię ciasta chlebowego płynem jajecznym, rozgrzej piekarnik do 160°C, umieść ciasto chlebowe na środkowej warstwie i piecz przez 20 minut.

### **Chleb francuski**

Składniki: 250 g mąki o wysokiej zawartości glutenu, 50 g mąki o niskiej zawartości glutenu, 150 g wody, 10 g cukru, 3 g proszku drożdżowego, 1 g soli spożywczej.

Proces:

1. Umieść wszystkie składniki w misce miksera, wymieszaj mikserem z hakiem do ciasta na poziomach 1-3 i zagnieć ciasto, nadając mu kształt ciasta.
2. Przykryj mieszankę folią spożywczą i odstaw do fermentacji w ciepłym miejscu, aż jej objętość podwoi się.
3. Jeszcze raz dokładnie zagnieć, wyjmij z miski i podziel na 4 części. Weź część ciasta i rozwałkuj ją na owalny kształt, a następnie zwiń od góry do dołu.
4. Następnie przykryj folią spożywczą i pozwól ciastu fermentować, aż podwoi swoją objętość.
5. Posmaruj powierzchnię olejem sezamowym, rozgrzej piekarnik do 180°C, umieść ciasto chlebowe na środkowej warstwie i piecz przez 20 minut.

### **Oryginalne ciasto**

Składniki: 100 g mąki do pieczenia, 5 jajek, 50 g oleju jadalnego, 80 g cukru, niewielka ilość soku z cytryny, 55 g mleka.

Proces:

1. Oddziel białko od żółtka, dodaj 20 g cukru do żółtka i ubijaj trzepaczką na poziomie 6, aż cukier całkowicie się rozpuści. Dodaj mleko i kontynuuj równomierne mieszanie na poziomie 6.
2. Wlej olej jadalny i ubijaj, aż do uzyskania pełnej emulsji.

3. Mąkę do pieczenia ciast przesiać przez sito i równomiernie wymieszać, aby uzyskać delikatną pastę żółtkową.
4. Do białka jajka dodaj kilka kropli soku z cytryny, dodaj trzykrotnie cukier i ubij trzepaczką, aż piana będzie puszysta.
5. Weź 1/3 białka jaja, dodaj je do pasty z żółtek i wymieszaj równomiernie, wlej pastę z powrotem do pozostałej masy z białek i wymieszaj równomiernie, aż powstanie gładka pasta do ciasta.
6. Posmaruj powierzchnię formy do ciasta olejem jadalnym, a następnie wlej do niej masę do ciasta.
7. Rozgrzej piekarnik do 150°C, ustaw tryb grzania górnego i dolnego oraz czas pieczenia na 50 minut, a następnie piecz do uzyskania złotego koloru.

### **Ciasto czekoladowe**

Składniki: 150 g płynu jajecznego, 50 g czystego mleka, 40 g kakao w proszku, 80 g białego cukru.

Proces:

1. Dodaj 150 g płynu jajecznego, ubij trzepaczką do jajek na poziomie 6, aż masa będzie przypominała bawełnę, następnie wyjmij i odstaw.
2. Do miski wsyp 80 g białego cukru, 50 g mleka i 40 g kakao, a następnie wymieszaj mieszadłem na poziomie 6 do uzyskania drobnego proszku.
3. Do ubitego płynu jajecznego wsypać przygotowany drobny proszek i dokładnie wymieszać.
4. Wlej wymieszane składniki do wysmarowanej olejem formy do pieczenia i wstaw do piekarnika nagrzanego do 180°C.
5. Po upieczeniu i uformowaniu wyjmij je z foremek i poczekaj, aż ostygną przed spożyciem.

### **Ciasto czekoladowe z lodami**

Składniki: 140 g serka śmietankowego, 140 g gorzkiej czekolady, 220 g mleka, 100 g cukru pudru, 240 g śmietanki bitej, 2 g soli spożywczej.

Proces:

1. Zewnętrzną stronę kwadratowej formy owiń folią aluminiową, a wewnątrz umieść okrąg z papieru do pieczenia.
2. Do serka śmietankowego dodaj cukier puder i szczyptę soli, wymieszaj mieszadłem łopatkowym.
3. Posiekaj gorzką czekoladę i podgrzej ją do rozpuszczenia. Wlej roztopioną czekoladę do sera, a następnie równomiernie wymieszaj mieszadłem łopatkowym. Wyjmij i umieść na tacy do późniejszego użycia.
4. Wlej śmietanę do garnka i mieszaj, aż będzie miała konsystencję przypominającą watę.

5. Do masy serowo-czekoladowej dodaj śmietanę kremówkę (2 razy) i dokładnie wymieszaj, następnie wlej do niej mleko (2 razy) i ponownie dobrze wymieszaj.

6. Na koniec wlej masę do foremki i wstaw do lodówki na kilka godzin. Wyjmij i wyjmij z foremki.

## Analiza typowych problemów

| Zjawiska   | powoduje  | Rozwiązania   |
|--|---|---|
| Maszyna nagle przestaje działać w trakcie użytkowania. | Możliwe, że maszyna pracuje zbyt długo lub temperatura otoczenia jest zbyt wysoka, co powoduje zbyt wysoką temperaturę silnika maszyny. W takim przypadku uruchamia się program zabezpieczający przed przegrzaniem i maszyna wyłącza się automatycznie. | Po ustawieniu biegu na „0” odłącz zasilanie, odczekaj, aż urządzenie osiągnie temperaturę pokojową i możesz je ponownie uruchomić (zwykle trwa to 15–30 minut, gdyż temperatura pokojowa zmienia się wraz z czasem chłodzenia). |
| Przekręcenie gałki zmiany biegów nie działa            | Sprawdź czy wtyczka ma dobry kontakt z gniazdem.  | Sprawdź, czy wtyczka zasilania jest podłączona do gniazdka.   |
|  | Sprawdź czy nie ma prądu.   | Przed rozpoczęciem pracy należy odczekać na włączenie zasilania   |
|  | Sprawdź, czy przycisk podnoszenia powrócił na swoje miejsce.  | Sprawdź, czy główka jest zamocowana na miejscu.   |
| Nadmierny hałas podczas pracy maszyny                  | ① Maszyna będzie pracować głośniejsz na wyższym biegu niż na niższym biegu.   | ① Wybierz odpowiedni sprzęt do mieszania żywności zgodnie z zaleceniami zawartymi w   |

|  |  |  |
|--|--|--|
|  | <p>②Ilość wymieszanego jedzenia jest zbyt duża, co powoduje przeciążenie maszyny.</p> <p>③Napięcie jest niestabilne.</p> <p>④Czas pracy jest zbyt długi.</p>   | <p>instrukcji</p> <p>② Zmniejsz częstotliwość mieszania.</p> <p>③Jeśli napięcie jest niestabilne, przed użyciem należy odczekać, aż się ustabilizuje.</p> <p>④Jeśli czas pracy jest zbyt długi, należy przerwać pracę i odczekać chwilę, aż urządzenie ostygnie, przed ponownym użyciem.</p>   |
| <p>Prędkość maszyny spada lub jest niestabilna</p> | <p>① Czy temperatura w pomieszczeniu jest niska, powodując stwardnienie środka smarującego w maszynie.</p> <p>② Składniki są zbyt twarde i miesza się ich za dużo, co powoduje zbyt duże obciążenie maszyny.</p> <p>③Czy napięcie nagle spadnie.</p> | <p>①Wymij miskę miksującą i pozostaw urządzenie na biegu jałowym przez 5 minut, aby zmiękczyć środek smarujący w urządzeniu i przywrócić stabilność prędkości.</p> <p>② Zmniejsz objętość mieszania i pozwól maszynie pracować zgodnie z normalnym obciążeniem.</p> <p>③Gdy napięcie się ustabilizuje, można ponownie użyć urządzenia.</p> |
| <p>Maszyna kołysze się i trzęsie podczas pracy</p> | <p>①Sprawdź, czy podkładka pod stopy na podstawie jest zdjęta.</p> <p>②Czy urządzenie jest umieszczone na gładkim i płaskim blacie przed użyciem.</p>  | <p>①Sprawdź, czy podkładka pod stopy na podstawie jest zdjęta.</p> <p>②Umieść na gładkim i płaskim blacie, aby móc go używać</p>   |

|  |   |   |
|--|---|---|
| Po założeniu osłony przeciwrozpryskowej i miski miksującej głowica nie może wrócić do pozycji wyjściowej | Sprawdź, czy osłona antyrozpryskowa jest na swoim miejscu i czy miska miksująca jest złożona. | Obróć osłonę antyrozpryskową i zamontuj ją na miejscu, a następnie zamontuj pojemnik do mieszania na swoim miejscu.   |
| Po użyciu stwierdzono ciemnienie ciasta  | Czarny proch spada na ciasto w głowicy mieszającej.   | Przed użyciem należy sprawdzić, czy głowica mieszająca i hak są suche i czy na ich powierzchni nie ma wody ani kurzu. |

## Czyszczenie

|                   |   |
|-------------------|---|
| Czyszczenie ciała | <ol style="list-style-type: none"> <li>1. Nie zanurzaj urządzenia w wodzie. Nie polewaj urządzenia bezpośrednio wodą, aby zapobiec przedostaniu się wody do wnętrza urządzenia, co może prowadzić do zwarć, porażenia prądem, wycieków, rdzy i innych usterek.</li> <li>2. Nie wycieraj urządzenia mokrym ręcznikiem.</li> <li>3. Do czyszczenia obudowy urządzenia nie należy używać detergentów/octu/soli ani innych żrących, silnie kwaśnych lub silnie zasadowych środków czyszczących, które mogłyby uszkodzić powierzchnię urządzenia.</li> <li>4. Nie używaj ostrych i szorstkich narzędzi, takich jak druciane kulki, do czyszczenia akcesoriów. W przeciwnym razie łatwo uszkodzić powierzchnię akcesoriów.</li> </ol> |
|-------------------|---|

|                                 |  |
|---------------------------------|--|
| <p>Czyszczenie akcesoriów</p>   | <ol style="list-style-type: none"> <li>1. Nie wkładać odlewanych części aluminiowych do zmywarki ani nie myć ich żrącymi, silnie kwaśnymi lub zasadowymi środkami czyszczącymi. Nie wkładać ich do zmywarki do mycia. (Z wyjątkiem części ze stali nierdzewnej, części z teflonu z powłoką powierzchniową oraz części poddanych elektroforezie)</li> <li>2. Nie mocz przez dłuższy czas w detergentach, wodzie morskiej, occie ani innych płynach żrących; używaj ich w odpowiednim czasie do czyszczenia akcesoriów.</li> <li>3. Po wyczyszczeniu należy wysuszyć akcesoria, głównie po to, aby części wewnętrzne pozostały suche na czas.</li> </ol> |
| <p>Specjalne czyszczenie</p>    | <ol style="list-style-type: none"> <li>1. Obracający się wałek wyjściowy będzie pozostawiał niewielkie czarne ślady z powodu wysokiej prędkości i tarcia podczas pracy maszyny. Po każdym użyciu należy go niezwłocznie wyczyścić i utrzymywać w suchości.</li> <li>2. Zwróć uwagę na ostre ostrze i ostre krawędzie części lub akcesoriów.</li> </ol>   |
| <p>Konserwacja i utrzymanie</p> | <ol style="list-style-type: none"> <li>1. Możesz użyć oliwy z oliwek do naniesienia na powierzchnię ostrza, płytkę noża i pojemnik do mieszania, aby zapewnić suche i wilgotne środowisko, w którym nastąpi utlenianie.</li> <li>2. Gdy nie używasz urządzenia, możesz przykryć je torbą transportową i umieścić w suchym miejscu.</li> </ol>  |

**Producent:** Shanghai muxin muyeyouxiangongsi

**Adres:** Shuangchenglu 803nong11hao1602A-1609shi, baoshanqu, szanghaj 200000 CN.

**Importowane do AUS:** SIHAO PTY LTD. 1 ROKEVA  
STREET EASTWOOD  
NSW 2122 Australia

**Importowane do USA:** Sanven Technology Ltd. Suite 250, 9166 Anaheim  
Miejsce, Rancho Cucamonga, CA 91730

|           |            |
|-----------|------------|
| <b>UK</b> | <b>REP</b> |
|-----------|------------|

YH CONSULTING LIMITED. C/O YH Consulting  
Limited Office 147, Centurion House, London  
Road, Staines-upon-Thames, Surrey, TW18 4AX

|           |            |
|-----------|------------|
| <b>EC</b> | <b>REP</b> |
|-----------|------------|

E-CrossStu GmbH  
Mainzer Landstr.69,  
60329 Frankfurt am Main.



# VEVOR

**Affordable. Reliable. Home Improvement.**

**Staande mixer**

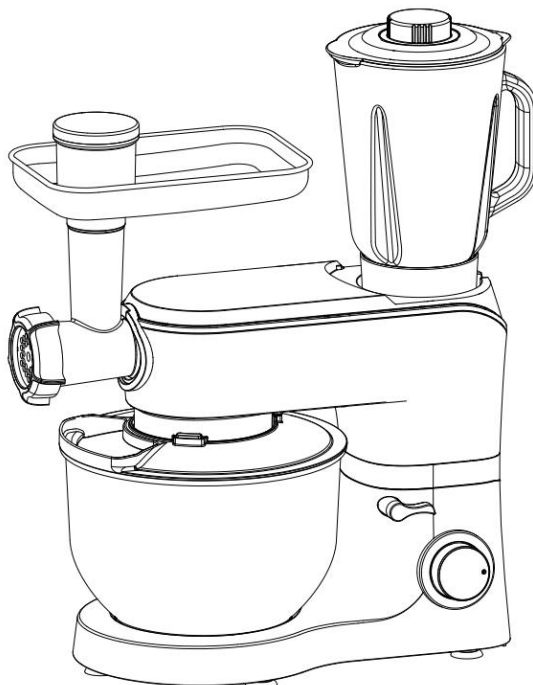
**Model: SM-1503BM**

# VEVOR




Affordable. Reliable. Home Improvement.

## Stand Mixer

**Model: SM-1503BM**



Dit is de originele handleiding. Lees alle instructies zorgvuldig door voordat u het product gebruikt. VEVOR behoudt zich het recht voor om de gebruiksaanwijzing duidelijk te interpreteren. Het uiterlijk van het product is afhankelijk van het product dat u hebt ontvangen. Neemt u het ons niet kwalijk dat we u niet meer op de hoogte stellen van eventuele technologische of software-updates voor ons product.

|   |  |
|---|--|
|  | <p>Waarschuwing - Om het risico op letsel te verminderen, moet de gebruiker de gebruiksaanwijzing lezen<br/>Lees de gebruiksaanwijzing zorgvuldig door.</p>  |
|   | <p>Waarschuwing - Alleen voor gebruik binnenshuis</p>  |
|   | <p style="text-align: center;"><b>CORRECTE VERWIJDERING</b></p> <p>Dit product is onderworpen aan de bepalingen van de Europese richtlijn 2012/19/EG. Het symbool met een doorgestreepte vuilnisbak door geeft aan dat het product gescheiden afvalverwerking vereist inzameling in de Europese Unie. Dit geldt voor het product en alle accessoires gemarkeerd met dit symbool. Producten gemarkeerd mag als zodanig niet bij het normale huisvuil worden gegooid, maar moet naar een inzamelpunt voor recycling van elektrische en elektronische apparaten worden gebracht elektronische apparaten</p> |

## Algemene veiligheidsinstructies

**Lees de gebruiksaanwijzing zorgvuldig door voordat u het apparaat in gebruik neemt en bewaar de gebruiksaanwijzing, inclusief het garantiebewijs, de kassabon en indien mogelijk de doos met de binnenverpakking. Als u dit apparaat aan iemand anders geeft, geef dan ook de gebruiksaanwijzing door.**

- Het apparaat is uitsluitend ontworpen voor privégebruik en voor het beoogde doel. Dit apparaat is niet geschikt voor commercieel gebruik. Gebruik het niet buitenshuis (behalve als het hiervoor ontworpen is). Houd het uit de buurt van warmtebronnen, direct zonlicht, vocht (dompel het nooit in een vloeistof) en scherpe randen. Gebruik het apparaat niet met natte handen. Als het apparaat vochtig of nat is, haal dan onmiddellijk de stekker uit het stopcontact.
- Schakel het apparaat uit wanneer u het schoonmaakt of opbergt en haal altijd de stekker uit het stopcontact (trek aan de stekker, niet aan het snoer) als u het apparaat niet gebruikt. Verwijder ook de aangesloten accessoires.

- Bedien de machine niet zonder toezicht. Als u de werkplek verlaat, schakel de machine dan altijd uit of haal de stekker uit het stopcontact (trek aan de stekker zelf, niet aan het snoer).
- Controleer het apparaat en het snoer regelmatig op beschadigingen. Gebruik het apparaat niet als het beschadigd is. Probeer het apparaat niet zelf te repareren. Neem altijd contact op met een erkende technicus. Als het netsnoer beschadigd is, moet het worden vervangen door de fabrikant, diens servicemonteur of een vergelijkbaar gekwalificeerd persoon om gevaar te voorkomen.
- Gebruik uitsluitend originele reserveonderdelen.
- Besteed zorgvuldig aandacht aan de volgende “Speciale Veiligheidsinstructies”.

### **Kinderen en kwetsbare personen**

- Om de veiligheid van uw kinderen te garanderen, vragen wij u om alle verpakkingen (plastic zakken, dozen, piepschuim etc.) buiten hun bereik te houden.  
Let op! Laat kleine kinderen niet met de folie spelen. Er bestaat verstikkingsgevaar!
- Wanneer u de blender of hakmolen als accessoire gebruikt, mag het apparaat niet door kinderen worden gebruikt. Houd het apparaat en het snoer buiten bereik van kinderen.
- Dit apparaat is geen speelgoed. Kinderen mogen er niet mee spelen.
- Apparaten kunnen worden gebruikt door personen met verminderde fysieke, sensorische of mentale vermogens of gebrek aan ervaring en kennis als zij toezicht of instructie hebben gekregen over het veilig gebruiken van het apparaat en of ze de gevaren begrijpen die ermee gepaard gaan.

### **Speciale veiligheidsinstructies voor deze machine**

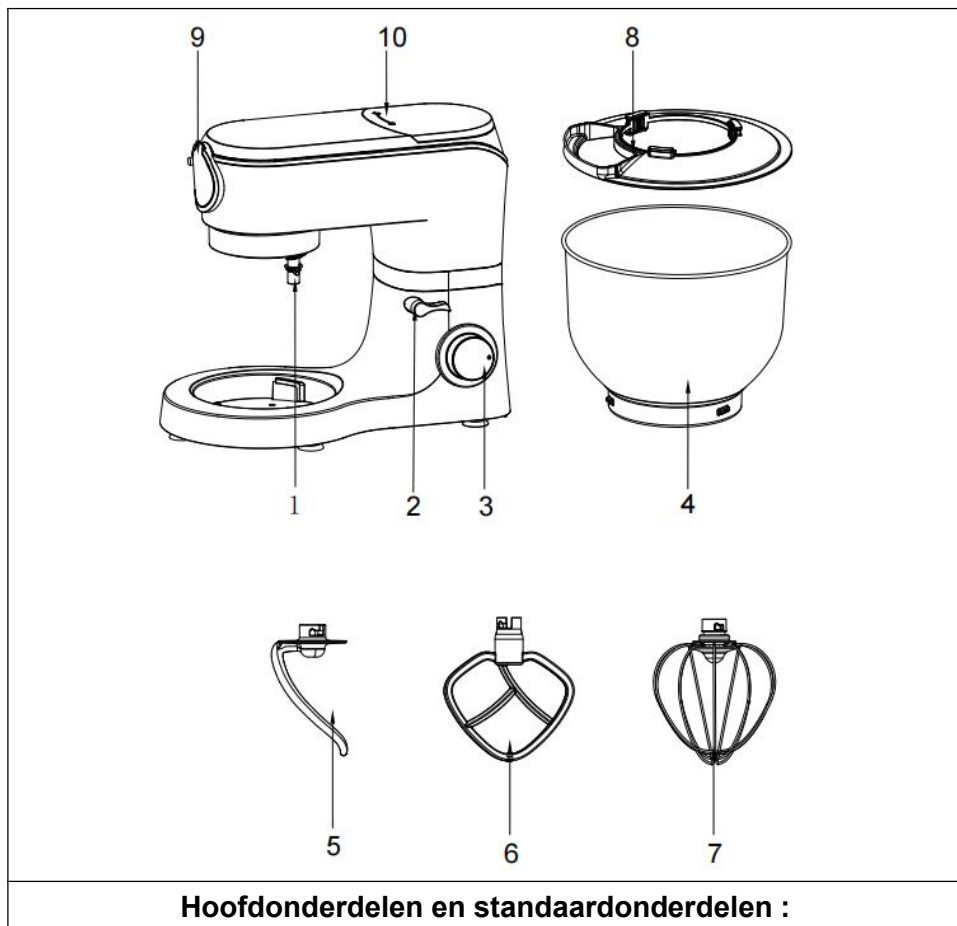
- Koppel het apparaat altijd los van de stroomtoevoer als u het onbeheerd achterlaat en voordat u het in elkaar zet of demonteert. of schoonmaken.
- Schakel het apparaat uit en trek de stekker uit het stopcontact voordat u accessoires verwisselt of onderdelen aanraakt die verplaatsen tijdens gebruik. Gebruik het apparaat niet voor andere doeleinden dan waarvoor het bedoeld is .
- LET OP: Om gevaar te voorkomen als gevolg van onbedoeld resetten van de thermische beveiliging, moet dit apparaat mag niet worden aangestuurd via een extern schakelapparaat, zoals een timer, of worden aangesloten op een circuit dat regelmatig wordt door het nutsbedrijf aangezet.
- Bedien deze machine alleen onder toezicht.

- Raak de veiligheidsschakelaars niet aan.
  - Steek niets in de draaiende haken terwijl de machine in werking is.
  - Plaats de machine op een glad, vlak en stabiel werkoppervlak.
  - Steek de stekker van het apparaat niet in het stopcontact voordat u alle benodigde accessoires hebt geïnstalleerd.
  - -Dit apparaat is niet bedoeld voor gebruik door personen (inclusief kinderen) met verminderde fysieke, sensorische of mentale vermogens, of met een gebrek aan ervaring en kennis, tenzij zij onder toezicht staan of instructies hebben gekregen over het gebruik van het apparaat door een persoon die verantwoordelijk is voor hun veiligheid.
  - -Kinderen moeten onder toezicht staan om ervoor te zorgen dat ze niet met het apparaat spelen
  - -Dit apparaat kan worden gebruikt door kinderen vanaf 8 jaar en door personen met verminderde lichamelijke, zintuiglijke of geestelijke vermogens of met een gebrek aan ervaring en kennis, indien zij onder toezicht staan of instructies hebben gekregen over het veilige gebruik van het apparaat en de betrokken gevaren begrijpen.
  - -Als het netsnoer beschadigd is, moet het vervangen worden door de fabrikant, zijn serviceagent of een persoon met vergelijkbare kwalificaties om gevaar te voorkomen.
  - - Dit apparaat is bedoeld voor gebruik in huishoudelijke en soortgelijke toepassingen, zoals: – personeelskeukens in winkels, kantoren en andere werkomgevingen; – boerderijen; – door gasten in hotels, motels en andere residentiële omgevingen; – bed & breakfast-achtige omgevingen.
  - - Dit apparaat mag niet door kinderen worden gebruikt. Houd het apparaat en het snoer buiten bereik van kinderen.
  - -- Dit apparaat kan worden gebruikt door kinderen vanaf 8 jaar, mits zij onder toezicht staan of instructies hebben gekregen over het veilige gebruik van het apparaat en de gevaren begrijpen. Reiniging en onderhoud mogen niet door kinderen worden uitgevoerd, tenzij zij 8 jaar of ouder zijn en onder toezicht staan. Houd het apparaat en het snoer buiten het bereik van kinderen jonger dan 8 jaar.
  - - Haal altijd de stekker uit het stopcontact als u het apparaat onbeheerd achterlaat en voordat u het monteert, demonteert of reinigt.
  - Voor model SM-1505BM bedroeg het stroomverbruik 0,4 W in de uitgeschakelde stand.
  - De periode waarna het apparaat automatisch overschakelt naar de uitstand bedraagt minder dan 1 minuut.
- **LET OP:** Zorg ervoor dat de blender is uitgeschakeld voordat u hem van de standaard haalt.

## Specificatie

|                          |            |
|--------------------------|------------|
| <b>Model</b>             | SM-1503BM  |
| <b>Nominale spanning</b> | AC220-240V |
| <b>frequentie</b>        | 50-60 Hz   |
| <b>Stroomverbruik</b>    | 1500W      |

## Naam van verschillende onderdelen



|   |               |    |            |
|---|---------------|----|------------|
| 1 | Uitgaande as  | 6  | Klopper    |
| 2 | Stijgknop     | 7  | Garde      |
| 3 | Snelheidsknop | 8  | Komdeksel  |
| 4 | Schaal        | 9  | Voorkant   |
| 5 | Deeghaak      | 10 | Achterklep |

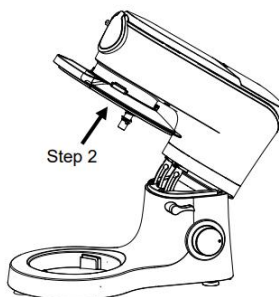
## Hoe de machine te gebruiken

1. Was de accessoires voor gebruik met schoon water, spoel ze af en droog ze af.
2. Plaats de machine op een vlakke, schone en droge tafel, Druk op de kop van de machine en draai nogmaals de head-up knop (2) Stap 1, het bovenlichaam zal automatisch omhoog komen. (PG 1 & 2).
3. Plaats het deksel van de pot in het roeruiteinde van de machine volgens stap 2, volgens PG2
- 4 . Weeg het te verwerken voedsel en water af in de mengkom en monteer vervolgens de mengkom (4) op de machine stap 3 , draai met de klok mee totdat de gesp is vastgeschroefd en vergrendeld stap 4 ; (PG3)
5. Overschrijd de hoeveelheid deeg niet - het totale gewicht mag maximaal 1,5 kg dragen;
6. Installeer de benodigde accessoires (5), (6) en (7) (er kan slechts één van de drie tegelijk worden gebruikt) op de uitgaande as van de mengkop (1). stap 5 , duw de accessoires naar boven en draai ze vervolgens een kwartslag tegen de klok in naar de vergrendelingspositie stap 6 ; (PG4&5)
7. Druk op de kop van de machine, de machine vergrendelt automatisch de kopknop (2) stap 7 , die zich in de horizontale positie bevindt; (PG6).
8. Steek vervolgens de stekker in het stopcontact en zet de schakelaar aan.
9. Regel de snelheidsknop (3) op de gewenste snelheid - begin met mengen ;
- 10 . Nadat het deeg aan de eisen voldoet, draait u de snelheidsknop (3) terug naar stand 0 om het proces te voltooien.
11. Druk met de hand op de kop van de machine, draai de hefknop (2) met de klok mee, til het bovenlichaam op, draai de mengkom tegen de klok in, verwijder de mengkom en haal het deeg eruit .

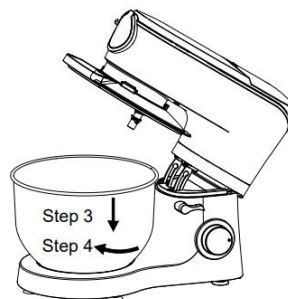
12. Schakel het apparaat uit en trek de stekker uit het stopcontact voordat u accessoires verwisselt of onderdelen nadert die tijdens gebruik bewegen.



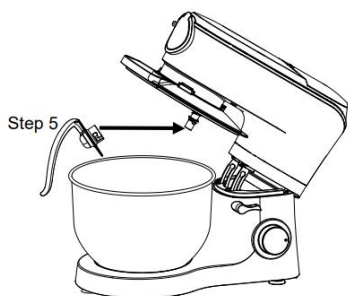
PG1



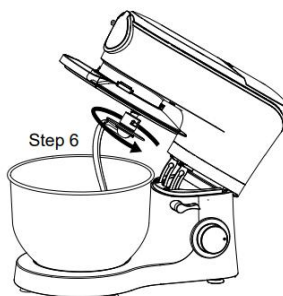
PG2



PG3



PG4



PG5

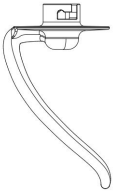

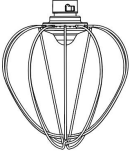


PG6

## Suggestie

Het aanpassen van de niveaus en het gebruiken van de haak voor maximaal 1,5 kg mengsel

| Accessoires | Afbeelding | Snelheid | Tijd (min) | Maximaal | Werkingsmethode |
|-------------|------------|----------|------------|----------|-----------------|
|             |            |          |            |          |                 |

|          |   |     |      |                                     |   |
|----------|---|-----|------|-------------------------------------|---|
| Deeghaak |  | 1-3 | 3-5  | 1000 g<br>bloem +<br>538 g<br>water | 1 snelheidsrun<br>gedurende 30<br>seconden, de 2<br>snelheidsrun<br>gedurende 30<br>seconden en<br>dan de 3<br>snelheidsrun<br>gedurende 2 tot<br>4 minuten om<br>een cluster te<br>vormen. |
| Klopper  |  | 2-4 | 3-10 | 660 g<br>bloem +<br>840 g<br>water  | 2-snelheden<br>run voor 20s,<br>de 4-snelheden<br>run voor meer<br>dan 2min40s  |
| Garde    |  | 5-6 | 3-10 | 3 eiwitten<br>(min)                 | Open snelheid<br>5 of 6 om 3<br>minuten sneller<br>te rennen.   |

### Blendergebruik en tips :

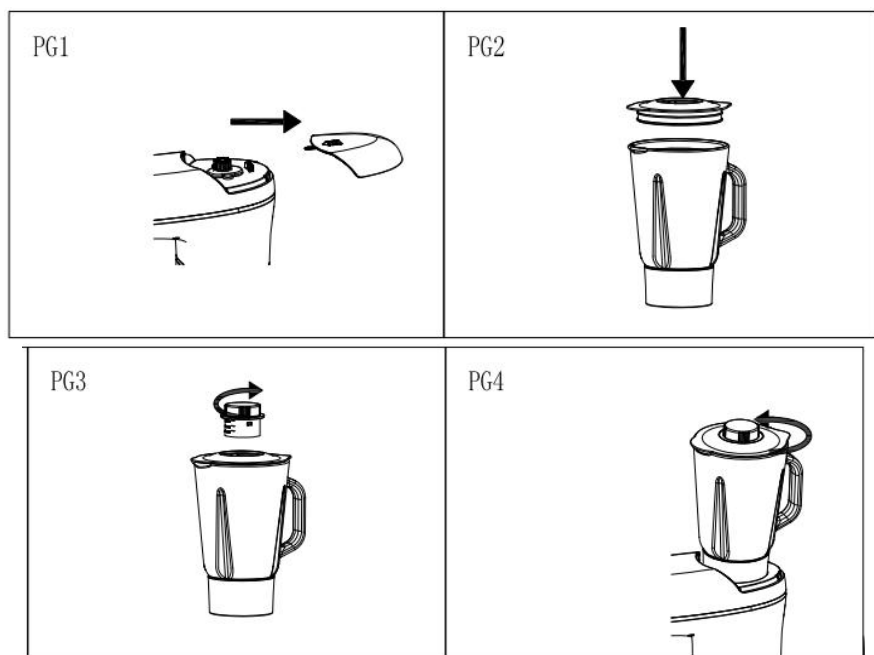
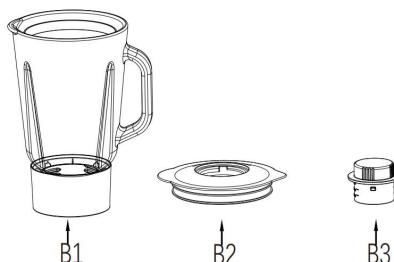
Blender kan voedsel mixen. Met dit keukenapparaat kunt u soepen, sauzen, milkshakes, babyvoeding, groenten, dranken, desserts, puree, enz. maken. Vaste voedingsmiddelen moeten in kleine stukjes worden gesneden.

### Voorzichtigheid :

- 1) Sluit de blender niet aan voordat u hem gebruikt. Zorg ervoor dat de blender correct is geïnstalleerd en het deksel goed vastzit voordat u hem gebruikt.
- 2) Haal de stekker uit het stopcontact als het apparaat klaar is en verwijder de blenderbekers uit het apparaat.
- 3) Doe geen voedsel in de beker dat warmer is dan 80°C.
- 4) Optimum liquid is niet meer dan 1,5 liter.
- 5) Doe het deksel op de beker.
- 6) Verwijder de mengbeker of het deksel niet tijdens de bewerking.
- 7) Laat de blender maximaal 3 minuten draaien.

## Hoe de blenderbeker te monteren :

- 1 ) Verwijder het kleine deksel (volg PG1.A) of draai de ringgesp (volg PG1.B). PG1
- 2 ) Plaats deksel B2 op de blenderbeker B1 (gevolgd door PG2).
- 3 ) Plaats B3 in B2 en schroef vast (gevolgd door PG3).
- 4 ) Wanneer alles klaar is, draai de pot dan met de klok mee en schroef hem op de basis (gevolgd door PG4).



B1: Blenderbeker

B2 : deksel

B3: Slotcilinder

**Aandacht :**

Voeg ingrediënten toe door de slotcilinder tijdens gebruik te verwijderen. Let goed op tijdens het gebruik. Haal de stekker uit het stopcontact zodra het apparaat klaar is. Was de pot na gebruik af.

### **Demontageprocedures na gebruik :**

- 1) Draai tegen de klok in naar niveau 0 en trek de stekker eruit.
- 2) Draai de pot open en zet hem op tafel.
- 3) Haal B2 er met de hand uit.
- 4) Houd het handvat van het glas met één hand vast, houd met de andere hand het glazen lichaam vast en kantel het langzaam om de vloeistof eruit te gieten.

### **Aanbevolen tips :**

Verwijder de pit en de harde schil van de vrucht, snijd het in stukjes, doe het in een beker en voeg water toe. De optimale hoeveelheid sap is 600 gram en het water is 900 gram. Overschrijd de maximale schaal van de sapbeker niet. Doe het deksel erop en schroef de blenderkan vast. Steek de stekker in het stopcontact en stel de snelheid in op stand 4 tot 6. Stop de blender na 3 minuten gebruik. Om de goede prestaties van het apparaat te behouden, mag de totale gebruikstijd niet langer zijn dan 15 minuten.

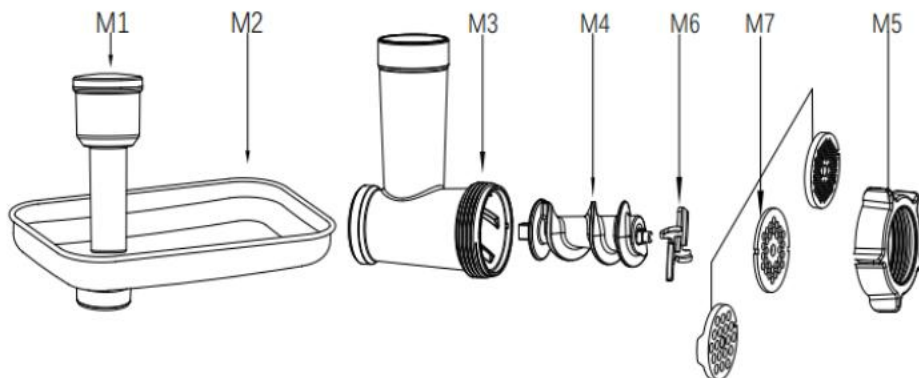
Om een goede prestatie van de machine te garanderen, mag de totale bedrijfstijd niet meer dan 15 minuten bedragen.

## **Functie van de vleesmolen**

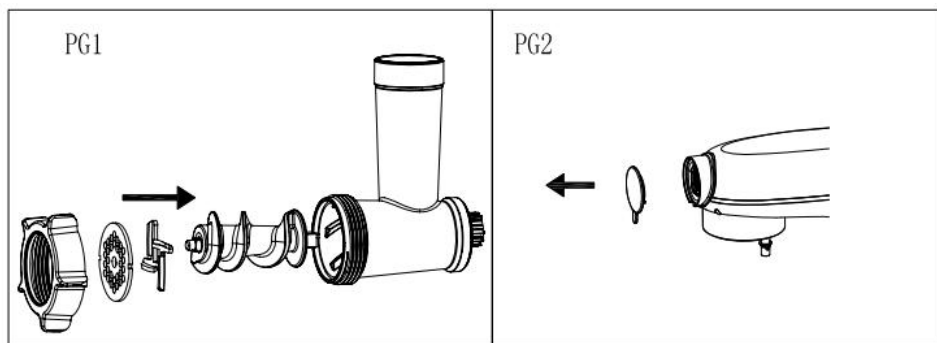
### **Hoe je een vleesmolen in elkaar zet en gebruikt :**

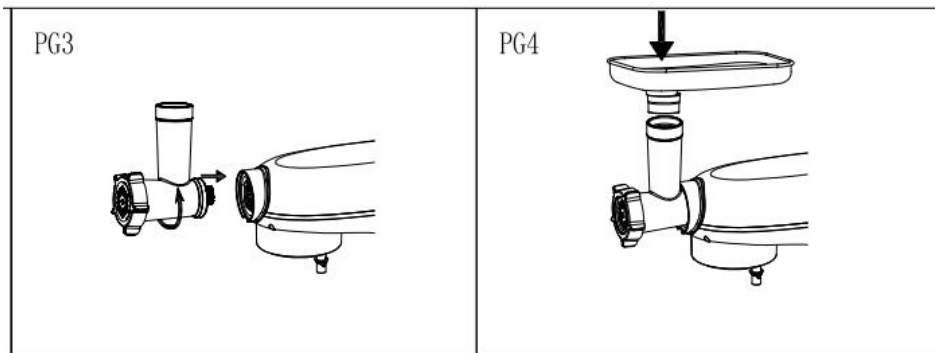
- 1) Om de accessoires van de vleesmolen te installeren, monteert u eerst het vleesmolenmes M6 op de kop van de vleesmolenschroef M4, plaatst u het gewenste vleesmolenmes M7 (grof gat, middelgroot gat of fijn gat), let op het uitlijnen van de groef tussen de zeef van de vleesmolen M7 en de vleesmolen M3, en draait u de borgmoer M5 op de vleesmolen M3 vast. (PG1)
- 2) Demonteer de voorklep (PG2).
- 3) Druk op de uitwerpknop aan de voorkant van het apparaat, houd de vleesmolen M 3 vast, sluit deze aan op het transmissiedeel van de voorklep en draai deze tegen de klok in naar de vergrendelingspositie. (P G 3)
- 4) Lijn de afvoerpoort van de lade M 2 uit met de invoerpoort van de vleesmolen M 3 en installeer deze op zijn plaats ( PG 4)
- 5) Plaats een bak bij de uitgang van de vleesmolen. Maak het varkensvlees schoon en snijd het in reepjes. De breedte mag niet groter zijn dan de invoeropening van de M2-bak.

- 6) Steek de stekker van het netsnoer in het stopcontact. Zet de snelheidsknop op de gewenste stand. Leg het vlees op de bak M2 en plaats het in de invoeropening. Gebruik de duwer M1 om het vlees langzaam in de invoeropening van de vleesmolen te duwen. Steek uw vingers niet in de vleesmolen M3.
- 7) Schakel na gebruik naar stand 0 en trek de stekker uit het stopcontact.



|    |                 |    |         |
|----|-----------------|----|---------|
| M1 | Duwer           | M5 | Hakslot |
| M2 | Dienblad        | M6 | Blad    |
| M3 | Helix-behuizing | M7 | Zeef    |
| M4 | Helix           |    |         |





### Recept suggesties:

Haal het bot uit het vlees en snijd het in stukken van 2,5 cm. Steek de stekker in het stopcontact en stel de snelheid in op 3 tot 6. Doe het vlees in de container en laat het continu werken tot 3 kg tegelijk. Stop na 5 minuten continu werken, niet na 15 minuten. Dit om de prestaties van het apparaat niet te beïnvloeden.

## Recept

### Lijnzaadbroodjes

Ingrediënten: 30 g lijnzaad, 40 g water, 250 g broodmeel, 3 g droge gist, 30 g suiker, 3 g zout, 10 g melkpoeder, 20 g boter, 15 g eivocht

Proces:

1. Week de 30 g lijnzaad 12 uur in 40 g water
2. Doe 250 g broodmeel, 3 g droge gist, 30 g suiker, 3 g zout, 10 g melkpoeder en 150 g water in de mengkom. Kneed de ingrediënten met de deeghaak tot een deeg (stand 1-3). Voeg vervolgens 20 g boter toe en blijf kneden tot een glad deeg. Voeg vervolgens geweekt lijnzaad toe tot het deeg goed gekneet is. Dek af met conserveerfolie en laat het deeg op een warme plek rijzen tot het in volume is verdubbeld.
3. Kneed nogmaals goed door, haal uit de kom en verdeel in zes broodjes. Dek de broodjes na het opbollen af en laat ze 1 uur rijzen bij 38 °C.
4. Nadat de fermentatie is voltooid, bestrijkt u het oppervlak van het brood met eivloeistof en legt u het op Plaats de voorlaatste laag in de voorverwarmde oven, verwarm het vuur op 180°C en bak gedurende 20 minuten. Haal de vorm er vervolgens uit en leg het op de grill om af te koelen.

### Geroosterd brood

Ingrediënten: 270 g bloem met veel gluten, 30 g bloem met weinig gluten, 1 ei, 3 g zout, 55 g suiker, 4 g gist, 80 g slagroom, 10 g melkpoeder, 90 g water.

Proces:

1. Doe alle ingrediënten in de mengkom en kneed ze met de deeghaak tot een deeg op stand 1-3.
2. Zet het mengsel op een warme plek en laat het rijzen tot het twee keer zo groot is geworden.
3. Kneed het nogmaals grondig, haal het uit de kom en verdeel het in 3 porties, dek het deeg af met conserveerfolie en laat het 15 minuten rusten
4. Neem een portie en rol deze op tot een tong, vouw beide kanten naar het midden en rol de rolletjes van onder naar boven op. Nadat alle drie de rolletjes zijn opgerold, dek je ze 15 minuten af met conserveerfolie.
5. Nadat je 3 porties hebt opgegeten, doe je ze in de vorm voor de 2e fermentatie. Laat fermenteren tot 80% van de hoogte van de vorm. Verwarm het vuur op 170 °C en bak gedurende 40 minuten. Haal de vorm er vervolgens uit en leg hem op de grill om af te koelen.

### **Zelfgemaakte pizza**

Grondstoffen: 170 g bloem met veel gluten, 100 g water, 1,5 g zout, 15 g witte suiker, 2 g gist, 15 g boter en wat vulling.

Proces:

1. Doe 170 g bloem met een hoog glutengehalte, 100 g water, 1,5 g keukenzout, 15 g suiker en 2 g gist in de mengkom. Meng met een deeghaak op stand 1-3. Voeg na het kneden de boter toe en blijf kneden tot het deeg soepel is geworden.
2. Laat het deeg op een warme plek rijzen tot het in volume verdubbeld is.
3. Tijdens de fermentatie kan de pizzavulling worden gemaakt en bewaard voor later gebruik.
4. Kneed het geheel nog een keer goed door. Neem de helft van het deeg, rol het uit en laat het 5 minuten rusten. Rol het vervolgens voorzichtig met een deegroller uit tot de grootte van een pizzapan. Leg het deeg op de pizzapan en druk het met je handen goed aan. Maak tot slot met een vork kleine gaatjes.
5. Zet de oven aan op de bovenste en onderste buis en verwarm voor op 200 °C. Bestrijk de bodem van de taartvorm eerst met olijfolie, schep vervolgens de pizzasaus erover en verdeel deze gelijkmatig. Strooi er vervolgens een beetje mozzarella en gesnipperde ui over. Plaats de 20 cm pizzavorm in de tweede laag van de voorverwarmde oven en bak 8 minuten.
6. Haal na de tijd de pizzavorm eruit en smeer er een laag spek op. Hier kun je je favoriete gerecht en de vulling op de juiste volgorde leggen.

7. Zet het in de voorverwarmde oven en stel de baktijd in op 15 minuten, totdat de kaas gesmolten is en de korst goudbruin is.

### **Boterbrood**

Ingrediënten: 375 g bloem met veel gluten, 180 g melk, 35 g boter, 30 g suiker, 11 g melkpoeder, 4 g gist, 3 g zout, 1 ei

Proces:

1. Doe alle ingrediënten behalve de boter in de mengkom. Houd 10 gram ei over voor de laatste bestrijking.
2. Gebruik de deeghaak om te mengen op niveau 1-3. Voeg na het vormen van het deeg de zachte boter toe en blijf kneden tot er een deegbal ontstaat.
3. Bedek het mengsel met conserveringsfolie en laat het op een warme plaats fermenteren tot het volume verdubbeld is.
4. Kneed nogmaals goed door, haal het uit de kom en verdeel het in 10 porties. Neem een deel van het deeg en rol het uit tot een ovaal, en rol het vervolgens van boven naar beneden op.
5. Leg het ingevette bakpapier op de bakplaat. Leg het uitgerolde brooddeeg op de bakplaat en laat het deeg op een warme plek rijzen tot het in volume verdubbeld is.
6. Bestrijk het brooddeeg met het eivocht, verwarm de oven voor op 160°C, leg het brooddeeg in het midden en bak het 20 minuten.

### **Frans brood**

Ingrediënten: 250 g bloem met veel gluten, 50 g bloem met weinig gluten, 150 g water, 10 g suiker, 3 g gistpoeder, 1 g eetbaar zout.

Proces:

1. Doe alle ingrediënten in de mengkom, gebruik de deeghaak om te mixen op stand 1-3 en kneed het deeg tot een deegvorm.
2. Bedek het mengsel met conserveringsfolie en laat het op een warme plaats fermenteren tot het in volume verdubbeld is.
3. Kneed nogmaals goed door, haal het uit de kom en verdeel het in 4 porties. Neem een deel van het deeg en rol het uit tot een ovaal, en rol het vervolgens van boven naar beneden op.
4. Bedek het geheel vervolgens met conserveringsfolie en laat het fermenteren tot het volume verdubbeld is.
5. Bestrijk het oppervlak met sesamolie, verwarm de oven voor op 180°C, leg het brooddeeg in het midden en bak het gedurende 20 minuten.

### **Originele taart**

Ingrediënten: 100 g bloem, 5 eieren, 50 g spijsolie, 80 g suiker, een klein beetje citroensap, 55 g melk.

Proces:

1. Scheid het eiwit en de eidooier, voeg 20 g suiker toe aan de eidooier en meng met een garde op stand 6 tot de suiker volledig is gesmolten. Voeg de melk toe en blijf gelijkmatig roeren op stand 6.
2. Giet de eetbare olie erbij en blijf kloppen tot het geheel geëmulgeerd is.
3. Giet het cakemeel door een zeef en roer het gelijkmatig tot een fijne eidooierpasta.
4. Doe een paar druppels citroensap bij het eiwit, voeg er drie keer de suiker aan toe en klop met een garde tot het een katoenachtige massa is.
5. Neem 1/3 van het eiwit, doe dit in de eidooierpasta en roer het geheel goed door. Giet de pasta terug bij het resterende eiwit en roer het geheel goed door tot een fijne cakepasta.
6. Bestrijk het oppervlak van de cakevorm met eetbare olie en giet vervolgens de cakepasta in de vorm.
7. Verwarm de oven voor op 150°C, stel de verwarmingsstand voor de bovenste en onderste buis in en de baktijd op 50 minuten. Bak de cake tot hij goudbruin is.

### **Chocoladecake**

Ingrediënten: 150 g eivocht, 50 g pure melk, 40 g cacaopoeder, 80 g witte suiker.

Proces:

1. Voeg 150 g eivloeistof toe, klop met de garde op stand 6 tot het een katoenachtige structuur heeft, haal het er dan uit en zet het apart
2. Doe 80 gram witte suiker, 50 gram melk en 40 gram cacaopoeder in een kom en roer het met een roerstaaf op stand 6 tot een fijn poeder.
3. Giet het bereide fijne poeder bij het geklopte ei en meng goed.
4. Giet de gemengde ingrediënten in de met olie ingevette bakvorm en zet deze in de oven op 180°C.
5. Nadat ze gebakken en gevormd zijn, haal je ze uit de vorm en wacht je tot ze zijn afgekoeld voordat je ze eet.

### **Chocolade-ijstaart**

Ingrediënten: 140 g roomkaas, 140 g pure chocolade, 220 g melk, 100 g poedersuiker, 240 g slagroom, 2 g eetbaar zout.

Proces:

1. De buitenkant van de vierkante vorm wordt omwikkeld met aluminiumfolie en er wordt een cirkel van bakpapier in gelegd
2. Voeg poedersuiker en een snuffe zout toe aan de roomkaas en roer het geheel met een roerstaaf.
3. Hak de pure chocolade fijn en verwarm tot hij smelt. Giet de gesmolten chocolade bij de kaas en roer gelijkmatig met een roerstaaf. Haal de chocolade uit de pan en leg hem op een dienblad voor later gebruik.

4. Doe de slagroom in de pan en roer tot de slagroom bijna katoenachtig is.
5. Voeg de slagroom in 2 keer toe aan de chocoladekaas en roer goed door. Giet vervolgens de melk er in 2 keer bij en roer het geheel nogmaals goed door.
6. Giet het tenslotte in de vorm en zet het een paar uur in de koelkast. Haal het eruit en haal het uit de vorm.

## Analyse van veelvoorkomende problemen

| Verschijnselen  | oorzaken   | Oplossingen   |
|---|--|---|
| Het apparaat stopt plotseling met werken tijdens gebruik. | Het kan zijn dat de machine te lang draait of dat de omgevingstemperatuur te hoog is, waardoor de motortemperatuur van de machine te hoog oploopt. De machine start dan het oververhittingsbeveiligingsprogramma en schakelt zichzelf automatisch uit. | Zet de versnelling terug op "0", haal de stekker uit het stopcontact en wacht tot het apparaat weer op kamertemperatuur is. Vervolgens kunt u het apparaat opnieuw opstarten (meestal duurt dit 15-30 minuten, de afkoeltijd is afhankelijk van de kamertemperatuur). |
| Draaien aan de versnellingspook, machine werkt niet       | Controleer of de stekker goed contact maakt met het stopcontact.   | Controleer of de stekker in het stopcontact zit.  |
|   | Controleer of de stroom is uitgevallen.  | Wacht op stroom voordat u het apparaat bedient  |
|   | Controleer of de stijgknop terug op zijn plaats springt.   | Zorg ervoor dat de kop goed vastzit.  |

|   |   |  |
|---|---|--|
| <p>Overmatig lawaai wanneer de machine draait</p>                   | <p>① De machine maakt meer lawaai in een hoge versnelling dan in een lage versnelling.<br/>         ② Er wordt te veel voedsel geroerd, waardoor de machine overbelast raakt.<br/>         ③ De spanning is instabiel.<br/>         ④ De werktijd is te lang.</p>     | <p>① Kies de juiste uitrusting om voedsel te roeren volgens de aanbevelingen in de handleiding<br/>         2. Verminder de hoeveelheid roeren.<br/>         ③ Als de spanning onstabiel is, wacht dan tot de spanning stabiel is voordat u het apparaat gebruikt.<br/>         ④ Als de verwerkingstijd te lang duurt, stop dan en laat het product even afkoelen voordat u het gebruikt.</p> |
| <p>De snelheid van de machine daalt of de snelheid is instabiel</p> | <p>① Als de kamertemperatuur laag is, waardoor het smeermiddel in de machine uithardt.<br/>         ② De ingrediënten die worden geroerd zijn te hard en te veel, waardoor de machine te zwaar wordt belast.<br/>         ③ Of de spanning plotseling laag wordt.</p> | <p>① Verwijder de mengkom en laat de machine 5 minuten stationair draaien om het smeermiddel in de machine zacht te maken en de snelheidsstabiliteit te herstellen.<br/>         2 Verminder het mengvolume en laat de machine werken volgens de normale werklust.<br/>         ③ Wanneer de spanning stabiel</p>  |

|   |  |  |
|---|--|--|
|   |  | is, kunt u het apparaat opnieuw gebruiken.   |
| Machine wiebelt en schudt tijdens het werken  | <p>① Controleer of het voetkussen op de basis los zit.</p> <p>2 Of de machine op een glad en vlak aanrechtblad wordt geplaatst voor gebruik.</p> | <p>① Controleer of het voetkussen op de basis los zit.</p> <p>② Plaats op een glad en vlak aanrechtblad voor gebruik</p> |
| De kop kan niet terugveren om te resetten nadat de anti-spatdeksel en de mengkom zijn geplaatst | Controleer of de anti-spatdeksel op zijn plaats zit en de mengkom gemonteerd is.   | Draai het anti-spatdeksel om en monteer het op zijn plaats. Monteer vervolgens de mengbeker op zijn plaats.              |
| Donkere verkleuring van het deeg na gebruik   | Er valt zwart poeder op het deeg bij de mengkop.   | Controleer voor gebruik of de mengkop en de haak droog zijn en of er geen water of stof op het oppervlak aanwezig is.    |

## Schoonmaak

|                                  |  |
|----------------------------------|--|
| <p>Lichaamsreiniging</p>         | <ol style="list-style-type: none"> <li>1. Dompel het apparaat niet onder in water. Gebruik geen water om direct op het apparaat te douchen om te voorkomen dat de behuizing in het water terechtkomt. Dit voorkomt kortsluiting, elektrische schokken, lekkage, roest en andere storingen.</li> <li>2. Gebruik geen kletsnatte handdoek om het apparaat af te vegen</li> <li>3. Gebruik geen schoonmaakmiddelen/azijn/zout en andere bijtende, sterk zure of sterk alkalische reinigingsproducten om de behuizing van het apparaat te reinigen. Anders kan het oppervlak van het apparaat beschadigd raken.</li> <li>4. Gebruik geen scherpe en ruwe gereedschappen zoals draadkogels om de accessoires te borstelen. Anders kan het oppervlak van de accessoires beschadigd raken.</li> </ol> |
| <p>Reiniging van accessoires</p> | <ol style="list-style-type: none"> <li>1. Plaats de gegoten aluminium onderdelen niet in de vaatwasser en was ze niet met bijtende, sterk zure of alkalische reinigingsmiddelen. Plaats ze niet in de vaatwasser om te reinigen. (Met uitzondering van roestvrijstalen onderdelen of oppervlaktebehandelde teflononderdelen en elektroforeseonderdelen.)</li> <li>2. Niet langdurig laten weken in schoonmaakmiddelen, zout water, azijn en andere bijtende vloeistoffen; gebruik het op tijd om accessoires schoon te maken.</li> <li>3. Droog de accessoires na het reinigen, vooral om ervoor te zorgen dat de interne onderdelen op tijd droog blijven.</li> </ol>   |
| <p>Speciale reiniging</p>        | <ol style="list-style-type: none"> <li>1. De draaiende uitgaande as zal wat zwarte sporen achterlaten door de hoge snelheid en wrijving tijdens het gebruik van de machine. Maak deze na elk gebruik direct schoon en houd het onderdeel droog.</li> <li>2. Let op het scherpe mes en de bijbehorende scherpe randonderdelen of accessoires.</li> </ol>  |

|                     |  |
|---------------------|--|
| Behoud en onderhoud | <p>1. Je kunt olijfolie op het oppervlak van het lemmet, de mesplaat en de mengkom smeren, zodat de omgeving droog en vochtig is en het lemmet kan oxideren.</p> <p>2. Wanneer u het apparaat niet gebruikt, kunt u het afdekken met een verpakkingzak en op een droge plaats bewaren.</p> |
|---------------------|--|

**Fabrikant:** Shanghaimuxinmuyeyouxiangongsi

**Adres:** Shuangchenglu 803nong11hao1602A-1609shi, baoshanqu, shanghai 200000 CN.

**Geïmporteerd naar AUS:** SIHAO PTY LTD. 1 ROKEVA STREETEASTWOOD

NSW 2122 Australië

**Geïmporteerd naar de VS:** Sanven Technology Ltd. Suite 250, 9166 Anaheim

Plaats, Rancho Cucamonga, CA 91730

|           |            |
|-----------|------------|
| <b>UK</b> | <b>REP</b> |
|-----------|------------|

YH CONSULTING LIMITED. C/O YH Consulting Limited Office 147, Centurion House, London Road, Staines-upon-Thames, Surrey, TW18 4AX

|           |            |
|-----------|------------|
| <b>EC</b> | <b>REP</b> |
|-----------|------------|

E-CrossStu GmbH  
Mainzer Landstr.69,  
60329 Frankfurt am Main.



# VEVOR

**Affordable. Reliable. Home Improvement.**

**Köksmaskin**

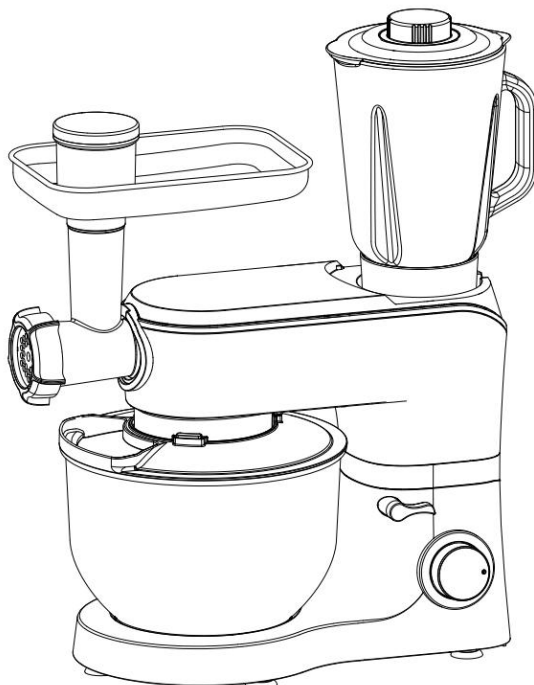
**Modell: SM-1503BM**

# VEVOR




Affordable. Reliable. Home Improvement.

## Stand Mixer

**Modell: SM-1503BM**



Detta är originalinstruktionerna, vänligen läs alla instruktioner noggrant innan du använder produkten. VEVOR förbehåller sig en tydlig tolkning av vår användarmanual. Produktens utseende ska vara beroende av den produkt du mottagit. Vi ber om ursäkt för att vi inte kommer att informera dig igen om det finns några teknik- eller programuppdateringar för vår produkt.

|   |   |
|---|---|
|  | <p>Varning – För att minska risken för skador måste användaren läsa bruksanvisningen noggrant.</p>  |
|   | <p>Varning - Endast för inomhusbruk</p>   |
|   | <p><b>KORREKT AVFALLSHANTERING</b><br/> Denna produkt omfattas av bestämmelserna i EU-direktivet 2012/19/EG. Symbolen som visar en överkorsad soptunna genom indikerar att produkten behöver sopsorteras separat insamling i Europeiska unionen. Detta gäller produkten och alla tillbehör märkta med denna symbol. Produkter märkta får därför inte slängas med vanligt hushållsavfall, utan måste lämnas till en samlingsplats för återvinning av elektriska och elektroniska apparater</p> |

## Allmänna säkerhetsinstruktioner

**Läs noggrant igenom bruksanvisningen innan du tar apparaten i bruk och spara instruktionerna inklusive garantibeviset, kvittot och, om möjligt, lådan med den invändiga förpackningen. Om du ger denna apparat till andra personer, vänligen ge även vidare bruksanvisningen.**

- Apparaten är uteslutande avsedd för privat bruk och för det avsedda ändamålet. Apparaten är inte lämplig för kommersiellt bruk. Använd den inte utomhus (förutom om den är avsedd för utomhusbruk). Håll den borta från värmekällor, direkt solljus, fuktighet (doppa den aldrig i någon vätska) och vassa kanter. Använd inte apparaten med våta händer. Om apparaten är fuktig eller våt, dra omedelbart ur sladden.
- När du rengör eller ställer undan den, stäng av apparaten och dra alltid ut kontakten ur uttaget (dra i kontakten, inte i sladden) om apparaten inte används och ta bort de medföljande tillbehören.
- Använd inte maskinen utan uppsikt. Om du lämnar arbetsplatsen, stäng alltid av maskinen eller dra ut kontakten ur uttaget (dra i själva kontakten, inte i sladden).
- Kontrollera regelbundet att apparaten och kabeln inte är skadade. Använd inte apparaten om den är skadad. Försök inte reparera apparaten själv. Kontakta alltid en auktoriserad tekniker. Om nätsladden är skadad

måste den bytas ut av tillverkaren, dess servicerepresentant eller liknande kvalificerad person för att undvika fara.

- Använd endast originalreservdelar.
- Var noga med att följa följande "Särskilda säkerhetsinstruktioner".

### **Barn och sköra individer**

• För att garantera dina barns säkerhet, vänligen förvara all förpackning (plastpåsar, lådor, frigolit etc.) utom räckhåll för dem.

Varning! Låt inte små barn leka med folien eftersom det finns kvävningsrisk!

- När tillbehörsmixer och hackare används får apparaten inte användas av barn. Förvara apparaten och dess sladd utom räckhåll för barn.
- Denna apparat är inte en leksak. Barn får inte leka med apparaten.
- Apparater kan användas av personer med nedsatt fysisk, sensorisk eller mental förmåga eller bristande erfarenhet och kunskap om de har fått handledning eller instruktioner om hur apparaten används på ett säkert sätt och om de förstår de risker som är förknippade med det.

### **Särskilda säkerhetsinstruktioner för denna maskin**

- Koppla alltid bort apparaten från eluttaget om den lämnas utan uppsikt och före montering, demontering och eller rengöring.
- Stäng av apparaten och dra ur strömmen innan du byter tillbehör eller närmar dig delar som Flytta apparaten under användning. Använd inte apparaten för annat än det avsedda ändamålet .
- **WARNING:** För att undvika fara på grund av oavsiktlig återställning av termosäkringen måste denna apparat inte matas via en extern brytare, såsom en timer, eller anslutas till en krets som regelbundet slås på och av av elbolaget.
- Använd endast denna maskin under uppsikt.
- Rör inte vid några säkerhetsbrytare.
- Stoppa inte in något i de roterande krokarna medan maskinen är i drift.
- Placera maskinen på en jämn, plan och stabil arbetsyta.
- Sätt inte i maskinens nätkontakt i eluttaget utan att ha installerat alla nödvändiga tillbehör.
- - Denna apparat är inte avsedd att användas av personer (inklusive barn) med nedsatt fysisk, sensorisk eller mental förmåga, eller bristande erfarenhet och kunskap, såvida de inte har övervakats eller fått instruktioner om användningen av apparaten av en person som ansvarar för deras säkerhet.
- -Barn bör övervakas för att säkerställa att de inte leker med apparaten.
- -Denna apparat kan användas av barn från 8 år och uppåt och personer med nedsatt fysisk, sensorisk eller mental förmåga eller bristande

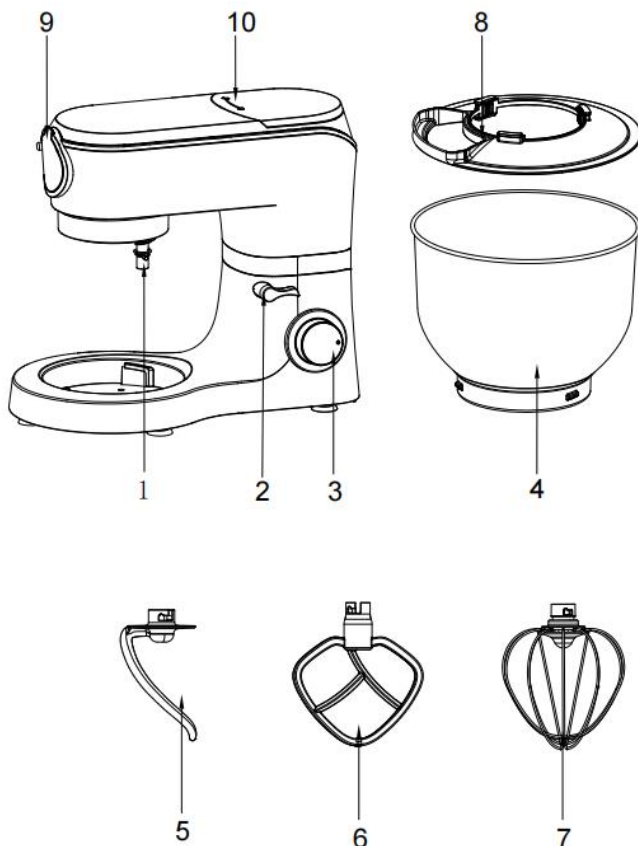
erfarenhet och kunskap om de har övervakats eller fått instruktioner om hur apparaten används på ett säkert sätt och förstår de risker som är förknippade med det.

- - Om nätsladden är skadad måste den bytas ut av tillverkaren, dess servicerepresentant eller liknande kvalificerad person för att undvika fara.
  - - Denna apparat är avsedd att användas i hushållet och liknande tillämpningar såsom: – personalkök i butiker, kontor och andra arbetsmiljöer; – bondgårdar; – av kunder på hotell, motell och andra bostadsmiljöer; – bed and breakfast-miljöer.
  - -Denna apparat får inte användas av barn. Förvara apparaten och dess sladd utom räckhåll för barn.
  - -- Denna apparat kan användas av barn från 8 år och uppåt om de har fått handledning eller instruktioner om hur apparaten används på ett säkert sätt och om de förstår de risker som är förknippade med den. Rengöring och underhåll får inte utföras av barn om de inte är 8 år och äldre och övervakas. Förvara apparaten och dess sladd utom räckhåll för barn under 8 år.
  - - Koppla alltid bort apparaten från eluttaget om den lämnas utan uppsikt och före montering, demontering eller rengöring.
  - För modell SM-1505BM var strömförbrukningen 0,4 W i avstängt läge.
  - Perioden efter vilken utrustningen automatiskt gick in i avstängningsläge var mindre än 1 minut.
- **WARNING:** Se till att mixern är avstängd innan du tar bort den från stativet.

## Specifikation

|                          |            |
|--------------------------|------------|
| <b>Modell</b>            | SM-1503BM  |
| <b>Märkspänning</b>      | AC220-240V |
| <b>frekvens</b>          | 50–60 Hz   |
| <b>Energiförbrukning</b> | 1500W      |

## Namn på olika delar



**Huvuddelar och standarddelar :**

|   |                  |    |            |
|---|------------------|----|------------|
| 1 | Utgående axel    | 6  | Visp       |
| 2 | Stig upp-knappen | 7  | Vispa      |
| 3 | Hastighetsknapp  | 8  | Skållock   |
| 4 | Skål             | 9  | Framsida   |
| 5 | Degkrok          | 10 | Bakre lock |

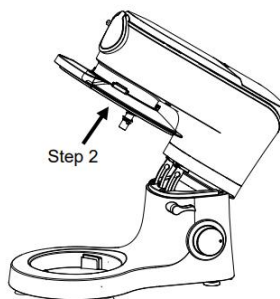
**Hur man använder maskinen**

1. Tvätta tillbehören med rent vatten, skölj och torka dem före användning.

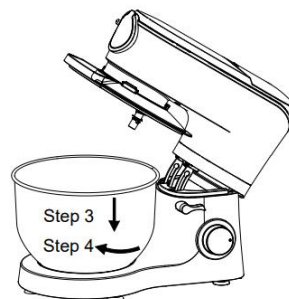
2. Placera maskinen på ett plant, rent och torrt bord, Tryck på maskinens huvud, vrid igen Tryck på head-up-knappen (2) i steg 1, överkroppen lyfts upp automatiskt. (Sida 1 och 2).
3. Montera locket på omröringsänden i steg 2 på maskinen enligt PG2.
- 4 . Väg maten och vattnet som ska bearbetas ner i blandningsskålen, montera sedan blandningsskålen (4) på maskinen steg 3 , rotera medurs tills spännet är fastskruvat och låst steg 4 ; (PG3)
5. Överskrid inte mängden deg – den totala vikten kan hålla upp till 1,5 kg;
6. Montera de nödvändiga tillbehören (5), (6) och (7) (endast ett av de tre kan användas åt gången) på blandningshuvudets utgående axel (1). steg 5 , tryck tillbehören uppåt och vrid sedan ett kvarts varv moturs till låsläget steg 6 ; (PG4&5)
7. Tryck på maskinens huvud, maskinen låser automatiskt huvudknappen (2) steg 7 , som är i horisontellt läge; (PG6).
8. Sätt sedan i kontakten och slå på strömbrytaren.
9. Ställ hastighetsratten (3) till önskad hastighet - börja blanda ;
10. När degen uppfyller kraven, vrid tillbaka hastighetsvredet (3) till växel 0 för att avsluta.
11. Tryck på maskinens huvud för hand, vrid lyftvredet (2) medurs, lyft överdelen, vrid blandningsskålen moturs, ta bort blandningsskålen och ta ut degen.
12. Stäng av apparaten och dra ur strömmen innan du byter tillbehör eller närmar dig delar som rör sig under användning.



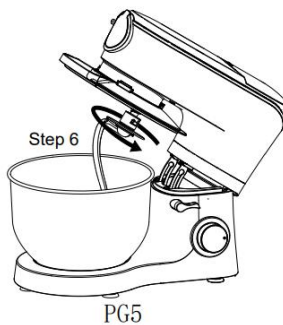
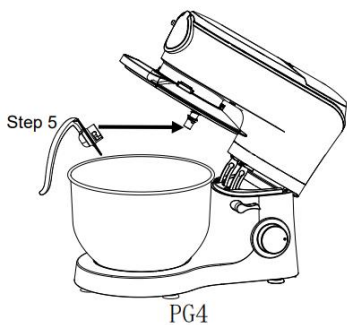
PG1



PG2

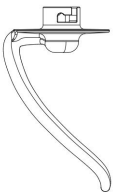



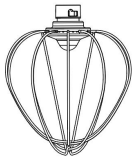
PG3



## Förslag

Justera nivåerna och användna kroken för högst 1,5 kg blandning

| Tillbehör | Bild  | Hastighet | Tid (min) | Maximalt                   | Driftsmetod  |
|-----------|---|-----------|-----------|----------------------------|--|
| Degkrok   |   | 1-3       | 3-5       | 1000 g mjöl + 538 g vatten | 1-hastighetskörning i 30 sekunder, 2-hastighetskörning i 30 sekunder och sedan 3-hastighetskörning i 2 till 4 minuter för att bilda ett kluster. |
| Visp      |  | 2-4       | 3-10      | 660 g mjöl + 840 g vatten  | 2-växlad körning i 20 sekunder, 4-växlad körning i mer än 2 minuter och 40 sekunder  |

|       |  |     |      |                     |   |
|-------|--|-----|------|---------------------|---|
| Vispa |  | 5-6 | 3-10 | 3 äggvitor<br>(min) | Öppna<br>hastighet 5<br>eller 6 för att<br>köra i 3 minuter<br>eller mer. |
|-------|--|-----|------|---------------------|---|

### Användning och tips för mixer :

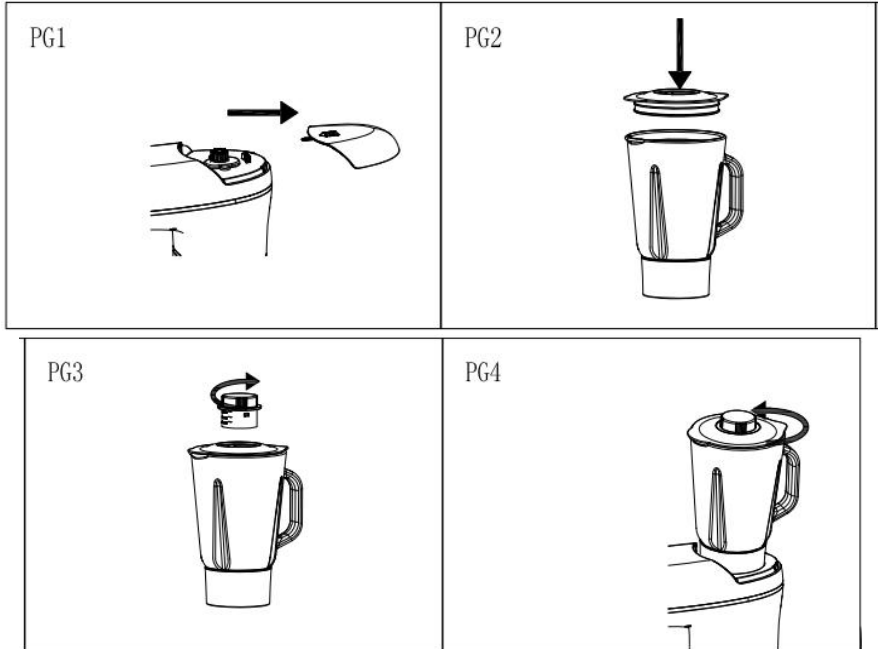
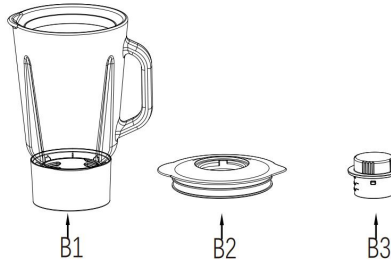
Mixern kan mixa mat. Använd denna köksapparat för att göra soppor, såser, milkshakes, barnmat, grönsaker, drycker, desserter, puréer etc. Fasta livsmedel bör skäras i små bitar.

### Varning :

- 1) Koppla inte in stickproppen innan du använder mixern. Se till att mixern är korrekt installerad och att locket sitter ordentligt på innan du använder den.
- 2) Dra ur sladden när det är klart och ta bort mixerkopparna från apparaten.
- 3) Tillsätt inte mat som är varmare än 80 °C i koppen.
- 4) Optinum Liquid är inte mer än 1,5L.
- 5) Sätt fast locket på koppen.
- 6) Ta inte bort mixkoppen eller locket under drift.
- 7) Kör mixern i högst 3 minuter.

### Så här monterar du mixerkoppen :

- 1 ) Ta bort det lilla locket (följt av PG1.A) eller rotera ringspännet (följt av PG1.B). PG1
- 2 ) Sätt locket B2 på mixerkoppen B1 (följt av PG2).
- 3 ) Sätt B3 i B2 och skruva fast (följt av PG3).
- 4 ) När allt är klart, vrid medurs och skruva fast burken på basen (följt av PG4).



|               |           |                 |
|---------------|-----------|-----------------|
| B1: Mixerkopp | B2 : lock | B3: Låscylinder |
|---------------|-----------|-----------------|

### Uppmärksamhet :

Tillsätt ingredienserna genom att ta bort låscylindern under användning. Var noga med att hålla koll under användning. Dra ur sladden när det är klart. Tvätta burken efter användning.

### Demonteringsprocedurer efter användning :

- 1) Vrid moturs till 0-nivå och dra ur sladden.
- 2) Skruva loss burken och placera den på bordet.
- 3) Ta ut B2 för hand.

4) Håll glashandtaget med ena handen, håll glaskroppen med den andra handen och luta långsamt för att hälla ut vätskan.

### **Rekommendera tips :**

Ta bort kärnan och det hårda skalet från frukten, skär den till en blandning, lägg den i en kopp och tillsätt sedan vatten. Den optimala mängden mat är 600 gram och vatten är 900 gram. Överskrid inte maxmängden för juicekoppen. Sätt på locket och skruva fast kannan på mixern. Anslut sladden och ställ in hastighetskontrollen på nivå 4–6. Stäng av mixern efter 3 minuter. För att bibehålla maskinens goda prestanda bör den totala driftstiden inte överstiga 15 minuter.

För att maskinen ska fungera bra får den totala driftstiden inte överstiga 15 minuter.

## **Köttfärsfunktion**

### **Så här monterar och använder du en köttkvarn :**

1) För att installera köttkvarnstillbehören, montera först köttkvarnsbladet M6 på köttkvarnsskruvens huvud M4, sätt på önskad köttkvarnsfräs M7 (grovt hål, medelstort hål eller fint hål), var noga med att justera spåret mellan köttkvarnssilen M7 och köttkvarnen M3, och dra åt låsmuttern M5 på köttkvarnen M3. (PG1)

2) Demontera frontkåpan (PG2).

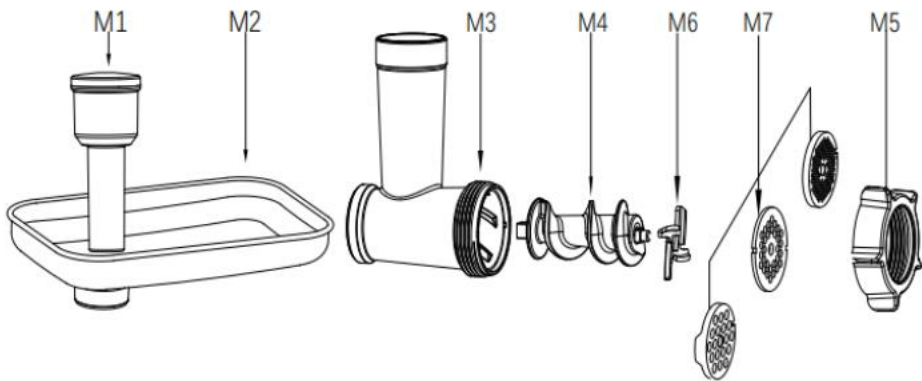
3) Tryck på utmatningsknappen på maskinens framsida, håll köttkvarnen M3, anslut den till transmissionsdelen på frontluckan och vrid den moturs till låsläget. (P G 3)

4) Rikta in utloppsporten på brickan M 2 med matningsporten på köttkvarnen M 3 och montera den på plats ( PG 4)

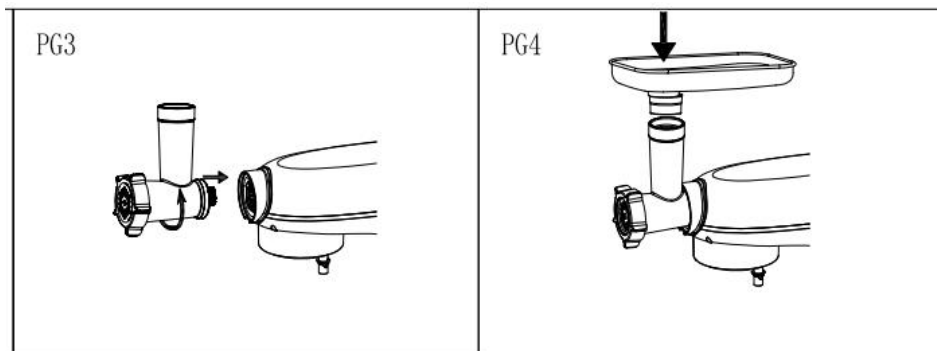
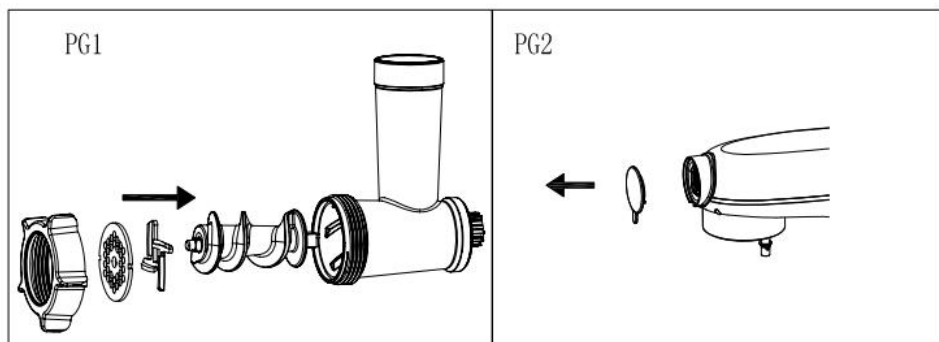
5) Placera en behållare vid köttkvarnens utlopp. Rengör fläskkötet och skär det i strimlor. Bredden ska inte överstiga inmatningsöppningen på brickan M2.

6) Sätt i nätsladdens kontakt i uttaget. Vrid sedan hastighetsreglaget till önskad växel, lägg köttet på brickan M2 och placera det i dess matningsport. Använd tryckknappen M1 för att långsamt trycka in köttet i köttkvarnens matningsport. Stoppa inte in fingrarna i köttkvarnen M3.

7) Efter användning, ställ in på läge 0 och dra ur kontakten.



|    |             |    |              |
|----|-------------|----|--------------|
| M1 | Påskjutare  | M5 | Mincing Lock |
| M2 | Bricka      | M6 | Blad         |
| M3 | Helix-hölje | M7 | Sikt         |
| M4 | Helix       |    |              |



## Receptförslag:

in hastighetsreglaget på 3-6 , lägg köttet i behållaren så kan den arbeta kontinuerligt med 3 kg åt gången. Avbryt arbetet efter 5 minuters kontinuerlig drift, inte 15 minuter. För att inte påverka maskinens prestanda.

## Recept

### Linfröbrödsrullar

Ingredienser: 30 g linfrön, 40 g vatten, 250 g brödmjöl, 3 g torrjäst, 30 g socker, 3 g salt, 10 g mjölkpulver, 20 g smör, 15 g äggvätska

Behandla:

1. Blötlägg 30 g linfrö i 40 g vatten i 12 timmar
2. Lägg 250 g brödmjöl, 3 g torrjäst, 30 g socker, 3 g salt, 10 g mjölkpulver och 150 g vatten i bunken. Använd degkroken för att knåda ingredienserna till deg på nivå 1–3. Tillsätt sedan 20 g smör och fortsätt knåda degen tills den är slät. Tillsätt sedan blötlagda linfrön tills degen är väl knådad. Täck med plastfolie och låt jäsa till dubbel storlek på en varm plats.
3. Knåda noggrant en gång till, ta ut ur skålen och dela i sex bullar. Täck över bullarna efter att de rundats och låt dem jäsa vid 38 °C i 1 timme.
4. När jäsningen är klar, pensla brödets yta med äggvätska, lägg det på. Lägg det näst sista lagret i den förvärmade ugnen, sänk värmen till 180 °C och grädda i 20 minuter, ta sedan ut formen och ställ den på grillen för att svalna.

### Rostat bröd

Ingredienser: 270 g mjöl med hög glutenhalt, 30 g mjöl med låg glutenhalt, 1 ägg, 3 g salt, 55 g socker, 4 g jäst, 80 g vispgrädde, 10 g mjölkpulver, 90 g vatten.

Behandla:

1. Lägg alla ingredienser i bunken och knåda ingredienserna till deg med degkrok på nivå 1–3.
2. Förvara blandningen på en varm plats och låt jäsa tills den fördubblar sin storlek.
3. Knåda degen noggrant en gång till, ta ut den ur skålen och dela den i 3 portioner, täck över degen med plastfolie i 15 minuter.
4. Ta en portion och rulla ihop den till en tunga, vik båda sidorna mot mitten och rulla ihop den nerifrån och upp. När alla tre är rullade, täck rullarna med plastfolie i 15 minuter.

5. När du har ätit 3 portioner, lägg dem i formen för den andra jäsningen, jäs till 80 % av formens höjd. Sätt elden upp och ner på 170 °C och grädda i 40 minuter, ta sedan bort formen och ställ den på grillen för att svalna.

## **Hemgjord pizza**

Råvaror: 170 g mjöl med hög glutenhalt, 100 g vatten, 1,5 g matsalt, 15 g vitt socker, 2 g jäst, 15 g smör och lite fyllning.

Behandla:

1. Lägg 170 g glutenhaltigt vetemjöl, 100 g vatten, 1,5 g salt, 15 g socker och 2 g jäst i bunken. Blanda med degkrok på nivå 1-3. Efter att ha knådat degen, tillsätt smör och fortsätt knåda tills den kan lossna och bilda en flexibel hinna.
2. Låt degen jäsa till dubbel storlek på en varm plats.
3. Under jäsningen kan pizzafyllningen göras och sparas för framtida bruk.
4. Knåda noggrant en gång till, kavla ut hälften av degen runt den och låt den jäsa i 5 minuter. Använd sedan en kavel för att försiktigt kavla ut den till storleken av en pizzapanna. Lägg den på pizzapannan, tryck till den runt pizzapannan med händerna och gör slutligen små hål med en gaffel.
5. Ställ in ugnens övre och nedre värmerör och förvärm ugnen till 200 °C. Pensla pajformens botten med olivolja först, ös sedan pizzasåsen jämnt över och strö sedan över lite mozzarellaost och strimlad lök. Placera pizzapannan (20 cm) i det andra lagret i den förvärmda ugnen och grädda i 8 minuter.
6. När tiden är ute, ta ut pizzapannan och bred ut ett lager bacon. Här kan du lägga din favoritmat och den färdiga fyllningen i ordning.
7. Sätt in den i den förvärmda ugnen, ställ in tillagningstiden på 15 minuter tills osten har smält och skorpan är gyllenbrun.

Smörbröd

Ingredienser: 375 g glutenfritt vetemjöl, 180 g mjölk, 35 g smör, 30 g socker, 11 g mjölkpulver, 4 g jäst, 3 g salt, 1 ägg

Behandla:

1. Lägg alla ingredienser utom smöret i bunken. Lämna 10 g ägg till den sista penslingen.
2. Använd degkroken för att blanda på nivå 1-3. Efter att du har format degen, tillsätt mjukt smör och fortsätt knåda tills det blir plastfilm.
3. Täck blandningen med plastfolie och låt jäsa till dubbel storlek på en varm plats.
4. Knåda noggrant en gång till, ta ut degen ur skålen och dela den i 10 portioner. Ta en del av degen och kavla ut den till en oval form, rulla sedan ihop den uppifrån och ner.
5. Lägg det smorda pappret på en bakplåt och lägg sedan den kavlade bröddegen på plåten. Låt jäsa till dubbel storlek på en varm plats.

6. Pensla äggvätskan på bröddegens yta, värm ugnen till 160 °C, lägg bröddegen i mittenlagret och grädda i 20 minuter.

### **Franskt bröd**

Ingredienser: 250 g mjöl med hög glutenhalt, 50 g mjöl med låg glutenhalt, 150 g vatten, 10 g socker, 3 g jästpulver, 1 g ätbart salt.

Behandla:

1. Lägg alla ingredienser i bunken, använd degkroken för att blanda på nivå 1-3 och knåda degen till en degform.
2. Täck blandningen med plastfolie och låt jäsa till dubbel storlek på en varm plats.
3. Knåda noggrant en gång till, ta ut degen ur skålen och dela den i fyra delar. Ta en del av degen och kavla ut den till en oval form, rulla sedan ihop den uppifrån och ner.
4. Täck sedan med plastfolie och låt jäsa till fördubblad storlek.
5. Pensla ytan med sesamolja, värm ugnen till 180 °C, lägg bröddegen i mittenlagret och grädda i 20 minuter.

### **Original tårta**

Ingredienser: 100 g kakmjöl, 5 ägg, 50 g matolja, 80 g socker, en liten mängd citronsaft, 55 g mjölk.

Behandla:

1. Separera äggvitan och äggulan, tillsätt 20 g socker i äggulan och vispa med äggvisp på nivå 6 tills sockret är helt smält. Tillsätt mjölk och fortsätt röra jämnt på nivå 6.
2. Häll i matolja och fortsätt vispa tills den är helt emulgerad.
3. Häll kakmjölet genom en sil och rör om jämnt till en fin äggulepasta.
4. Droppa några droppar citronsaft i äggvitan, tillsätt socker tre gånger och vispa med en äggvisp tills den är bomullsliknande.
5. Ta 1/3 av äggvitan, lägg den i äggulepastaen och rör om jämnt, häll pastan tillbaka till den återstående äggvitan och rör om jämnt till en fin kakpasta.
6. Pensla ytan av kakformen med ätbar olja och häll sedan kakpastan i formen.
7. Värm ugnen till 150 °C, ställ in värmeläge för övre och nedre rör och gräddningstiden är 50 minuter, grädda sedan tills den är gyllenbrun.

### **Chokladkaka**

Ingredienser: 150 g äggvätska, 50 g ren mjölk, 40 g kakaopulver, 80 g vitt socker.

Behandla:

1. Tillsätt 150 g äggvätska, vispa med äggvisp på nivå 6 tills det är bomullsliknande, ta sedan ut det och ställ åt sidan
2. Lägg 80 g vitt socker, 50 g mjölk och 40 g kakaopulver i en skål och rör om till ett fint pulver med en omröringspaddel på nivå 6.
3. Häll det färdiga fina pulvret i den uppvispade äggvätskan och blanda väl.
4. Häll de blandade råvarorna i den oljepenslade bakplåtsformen och sätt in den i ugnen på 180°C.
5. Ta ut dem ur formen efter att de gräddats och formats och låt dem svalna innan du äter dem.

### **Chokladglasstårta**

Ingredienser: 140 g färskost, 140 g mörk choklad, 220 g mjölk, 100 g florsocker, 240 g vispgrädde, 2 g matsalt.

Behandla:

1. Vira in utsidan av den fyrkantiga formen i aluminiumfolie och lägg en cirkel av bakplåtspapper inuti.
2. Tillsätt florsocker och en nypa salt i färskosten och blanda det med en visp.
3. Hacka den mörka chokladen och värm den tills den smälter, häll den smälta chokladen i osten och rör sedan om jämnt med en omrörare. Ta ut den och lägg den på en bricka för senare användning.
4. Lägg vispad grädde i grytan och rör sedan om tills den nästan är bomullsliknande.
5. Tillsätt den vispade grädden två gånger i chokladosten och rör jämnt, häll sedan mjölken i den två gånger och blanda väl igen.
6. Häll slutligen i formen och ställ in den i kylskåpet i flera timmar. Ta ut den och forma den ur formen.

## **Analys av vanliga problem**

| Fenomen | orsaker | Lösningar |
|---------|---------|-----------|
|---------|---------|-----------|

|  |  |   |
|--|--|---|
| <p>Maskinen slutar plötsligt att fungera under användning.</p> | <p>Det kan vara så att maskinen körs för länge, eller att omgivningstemperaturen är för hög, vilket resulterar i att maskinens motortemperatur är för hög; maskinen startar överhettningsskyddsprogrammet, automatisk avstängning.</p>                     | <p>Återställ växeln till "0", dra ur strömmen och vänta tills maskinen återgår till rumstemperatur innan den startas om (vanligtvis tar det 15–30 minuter, svalningstiden varierar beroende på rumstemperatur).</p>   |
| <p>När man vrider växelspaken går inte maskinen</p>            | <p>Kontrollera om kontakten har god kontakt med uttaget.</p>   | <p>Kontrollera att strömkontakten är isatt i uttaget.</p>   |
|  | <p>Kontrollera om strömmen är borta.</p>   | <p>Vänta på strömmen innan du använder den</p>  |
|  | <p>Kontrollera om höjningsknappen fjädrar tillbaka på plats.</p>   | <p>Se till att huvudstången sitter fast på plats.</p>   |
| <p>Överdrivet buller när maskinen är igång</p>                 | <p>① Maskinen kommer att arbeta högre på hög växel än på låg växel.<br/>         ② Mängden mat som rörs om är för stor, vilket resulterar i överbelastning av maskinen.<br/>         ③ Spänningen är instabil.<br/>         ④ Arbetstiden är för lång.</p> | <p>① Välj rätt redskap för att röra om mat enligt rekommendationerna i manualen<br/>         ② Minska omrörningen.<br/>         ③ Om spänningen är instabil, vänta tills den stabiliserats innan du använder den.<br/>         ④ Om arbetstiden är för lång, stanna och låt svalna en stund innan användning.</p> |

|  |   |  |
|--|---|--|
| <p>Maskinhastigheten sjunker, eller hastigheten är instabil</p>  | <p>① Om rumstemperaturen är låg, vilket gör att smörjmedlet i maskinen hårdnar.<br/> ② Ingredienserna som rörs om är för hårda och för mycket, vilket resulterar i för hög belastning på maskinen.<br/> ③ Om spänningen plötsligt blir låg.</p> | <p>① Ta bort blandningsskålen och låt maskinen gå på tomgång i 5 minuter för att mjuka upp smörjmedlet i maskinen och återställa hastighetsstabiliteten.<br/> ② Minska blandningsvolymen och låt maskinen arbeta enligt den normala arbetsbelastningen.<br/> ③ När spänningen är stabil, använd maskinen igen.</p> |
| <p>Maskinen svajar och skakar under arbete</p>   | <p>① Kontrollera om fotplattan på basen är av.<br/> ② Om maskinen placeras på en slät och plan bänkskiva för användning.</p>  | <p>① Kontrollera om fotplattan på basen är av.<br/> ② Placera på en slät och plan bänkskiva för användning</p>   |
| <p>Huvuddockan kan inte fjädra tillbaka för att återställas efter att stänkskyddet och blandningsskålen har satts på</p> | <p>Kontrollera att stänkskyddet är på plats och att blandningsskålen är monterad.</p>   | <p>Vrid stänkskyddet och montera det på plats, och montera blandningskärlet på plats.</p>  |
| <p>Degen har blivit mörkare efter användning</p>   | <p>Svartkrut faller ner på degen vid blandningshuvudet.</p>   | <p>Kontrollera att blandarhuvudet och kroken är torra och att det inte finns vatten eller damm på ytan före användning.</p>  |

## Rengöring

|                        |   |
|------------------------|---|
| Kroppsrengöring        | <ol style="list-style-type: none"><li>1. Sänk inte ner maskinen i vatten. Använd inte vatten för att duscha direkt ovanpå maskinen för att förhindra att värdkroppen kommer in i vattnet och för att undvika kortslutning, elektriska stötar, läckage, rost och andra fel.</li><li>2. Använd inte en droppande våt handduk för att torka av maskinen</li><li>3. Använd inte rengöringsmedel/vinäger/salt eller andra frätande, starkt sura eller starkt alkaliska rengöringsprodukter för att rengöra maskinens hölje, annars kan maskinens yta skadas.</li><li>4. Använd inte vassa och grova verktyg som ståltrådsbollar för att borsta tillbehören. Annars är det lätt att skada tillbehörens yta.</li></ol> |
| Rengöring av tillbehör | <ol style="list-style-type: none"><li>1. Diska inte gjutna aluminiumdelar i diskmaskinen och diska dem inte med frätande, starkt sura eller alkaliska rengöringsprodukter. Diska dem inte i diskmaskinen för rengöring. (Förutom delar av rostfritt stål eller ytbehandlade teflondelar och elektroforesdelar)</li><li>2. Blötlägg inte länge i diskmedel, saltvatten, vinäger eller andra frätande vätskor; använd i tid för att rengöra tillbehör.</li><li>3. Torka tillbehören efter rengöring, främst för att hålla de inre delarna torra i tid.</li></ol>  |
| Specialrengöring       | <ol style="list-style-type: none"><li>1. Den roterande utgående axeln kommer att producera lite svart spår på grund av hög hastighet och friktion när maskinen är i drift. Rengör den omedelbart efter varje användning och håll delen torr.</li><li>2. Var uppmärksam på det vassa bladet och relaterade vassa delar eller tillbehör.</li></ol>  |

|                                |   |
|--------------------------------|---|
| <p>Bevarande och underhåll</p> | <p>1. Du kan använda olivolja för att applicera på bladets yta, knivplattan och blandningskärlet för att säkerställa en torr och våt miljö för att oxidera den.</p> <p>2. När maskinen inte används kan du täcka över den med en förpackningspåse och placera den på en torr plats.</p> |
|--------------------------------|---|

**Tillverkare:** Shanghaimuxinmuyeyouxiangongsi

**Adress:** Shuangchenglu 803nong11hao1602A-1609shi, baoshanqu, Shanghai 200 000 kanadensiska republiken.

**Importerad till Australien:** SIHAO PTY LTD. 1 ROKEVA

STREETEASTWOOD

NSW 2122 Australien

**Importerad till USA:** Sanven Technology Ltd. Suite 250, 9166 Anaheim Plats, Rancho Cucamonga, Kalifornien 91730

|                  |                   |
|------------------|-------------------|
| <p><b>UK</b></p> | <p><b>REP</b></p> |
|------------------|-------------------|

YH CONSULTING LIMITED. C/O YH Consulting Limited Office 147, Centurion House, London Road, Staines-upon-Thames, Surrey, TW18 4AX

|                  |                   |
|------------------|-------------------|
| <p><b>EC</b></p> | <p><b>REP</b></p> |
|------------------|-------------------|

E-CrossStu GmbH  
Mainzer Landstr.69,  
60329 Frankfurt am Main.

