

VEVOR

Affordable. Reliable. Home Improvement.

FOOD SLICER

Model:SL-517/SL517

VEVOR

Affordable. Reliable. Home Improvement.

FOOD SLICER

Model:SL-517/SL517






This is the original instruction, please read all manual instructions carefully before operating. VEVOR reserves a clear interpretation of our user manual. The appearance of the product shall be subject to the product you received. Please forgive us that we won't inform you again if there are any technology or software updates on our product.

IMPORTANT SAFEGUARDS



Warning-To reduce the risk of injury, user must read instructions manual carefully.

	<p>Keep children away from the machine for fear of danger.</p>
	<p>Warning- For Indoor Use Only</p>
	<p style="text-align: center;">CORRECT DISPOSAL</p> <p>This product is subject to the provision of european Directive 2012/19/EU. The symbol showing a wheelie bin crossed through indicates that the product requires separate refuse collection in the European Union. This applies to the product and all accessories marked with this symbol. Products marked as such may not be discarded with normal domestic waste, but must be taken to a collection point for recycling electrical and electronic devices.</p>

IMPORTANT SAFEGUARDS

When using electrical appliances, basic safety precautions should always be followed, including the following:

READ AND SAVE THESE INSTRUCTIONS

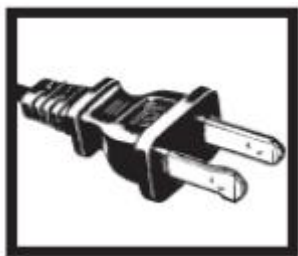
- Read all instructions before using.
- To protect against risk of electrical shock do not put power unit in water or other liquid.
- Close supervision is necessary when any appliance is used by or near children. Children should not use this appliance.
- Place On/Off switch in "OFF" position and remove cord plug from electrical outlet when not in use, before putting on or taking off parts and before cleaning. Do not pull power cord.
- Avoid contacting moving parts. Never feed food by hand. Always use completely assembled slicer with food tray and food pusher.

- Do not operate any appliance with a damaged cord or plug, after the appliance malfunctions or has been dropped or damaged in any manner. Do not service this product other than noted in this manual.
- The use of attachments not recommended or sold by manufacturer may result in injury.
- Do not use outdoors.
- Do not let cord hang over edge of table or countertop, or touch hot surfaces including the stove. Do not use an extension cord.
- Do not use appliance for other than intended use. Blade is sharp. Handle carefully when cleaning.
- The safety switch prevents accidental operation of the appliance. Do not defeat or bypass the safety switch.
- Appliance should not be used to cut frozen food or bones.
- Operate appliance only if the blade is properly locked and/or tightened.
- Always cut food with the slicer fully assembled.

THIS UNIT IS FOR, HOUSEHOLD USE ONLY

This product is not intended for commercial use. No user-serviceable parts inside. Do not attempt to service this product.

POLARIZED PLUG



This appliance has a polarized plug,(one blade is wider than the other). As a safety feature to reduce the risk of electrical shock, this plug is intended to fit in a polarized outlet only one way.If the plug does not fit fully in the outlet, reverse the plug.If it still does not fit, contact a qualified electrician. Do not attempt to defeat this safety feature or modify the plug in any way. If the plug fits loosely into the AC outlet or if

the AC outlet feels warm do not use that outlet.

SAVE THESE INSTRUCTIONS

DO NOT IMMERSE THE CORD IN WATER OR ANY OTHER LIQUID!

SAFETY INSTRUCTIONS

- If you ignore the safety instructions the manufacturer cannot be held responsible for damage.
- If the supply cord is damaged, it must be replaced by the manufacturer its service agent, or similarly qualified persons in order to avoid a hazard.
- Do not use this appliance with a damaged cord or plug or when the appliance has malfunctions or has been damaged in any manner. To avoid a hazard, make sure that a damaged cord or plug is replaced by a competent and qualified repair service. Do not repair this appliance yourself.
- Never move the appliance by pulling the cord and make sure the cord cannot become entangled.
- The appliance must be placed on a stable, level surface.
- This appliance is only to be used for household purposes and only for its intended purpose.
- The appliance can be used by children aged from 8 years and above and persons with reduced physical, sensory or mental capabilities or lack of experience and knowledge if they are under supervision and have been given instruction concerning use of the appliance in a safe way and understand the hazards involved. Children must not play with the appliance. Cleaning and user maintenance must not be carried out by children unless they are older than 8 years old and supervised.
- To protect yourself against an electric shock, do not immerse the cord, plug or appliance in water or any other liquid.
- Switch off the appliance and unplug from the power supply before changing accessories or handling parts that move in use.
- Always unplug the device if it is left unattended and before assembling,

disassembling, or cleaning.

- Do not allow children to use the device without supervision.
- This appliance must be used with the sliding feed table and the piece holder in position unless this is not possible due to the size or shape of food.
- Avoid accidents such as trips or falls by placing the cord in a safe position.
- If an extension cord is used, its capacity needs to be suitable for the appliance's power consumption.
- Do not operate the appliance with wet hands or while standing on a wet floor. Do not touch the power plug with wet hands.
- Do not open the appliance housing under any circumstances. Do not insert any foreign objects into the interior of the housing.
- Never use accessories that are not recommended by the manufacturer. They could pose a safety risk to the user and might damage the appliance. Only use original parts and accessories.
- Keep the appliance away from any hot surfaces and open flames. Always operate the appliance on a level, stable, clean, and dry surface. Protect the appliance against heat, dust, direct sunlight, moisture, drips, and splashing water.
- Do not place heavy objects on top of the appliance. Do not place objects with open flames, e.g. candles, on top of or beside the appliance. Do not place objects filled with water, e.g. vases, on or near the appliance.
- Do not pull the power cord to remove the plug from the electrical outlet and do not wrap the power cord around the appliance.
- Unplug the appliance from the electrical outlet when not in use and before cleaning.
- Switch off the appliance before changing accessories or handling parts that move during use.
- If the appliance should overheat, stop using the appliance and unplug from its electrical outlet.
- Never leave the appliance unattended during use.
- Dry the appliance and all accessories before connecting to the power

supply and prior to attaching the accessories.

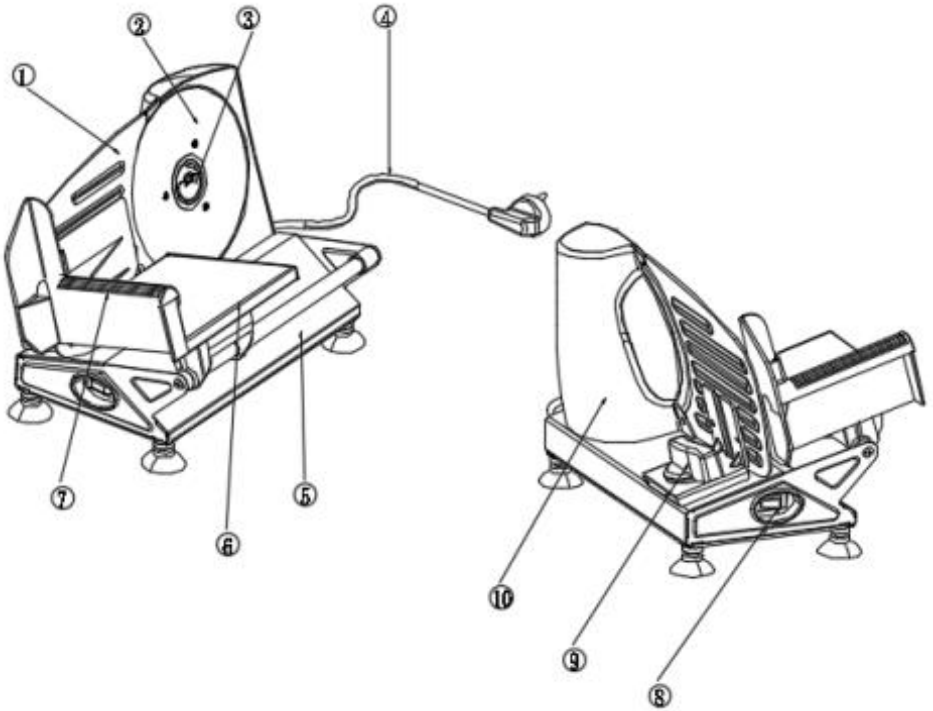
- Always turn the appliance off before disconnecting the power plug.
- Clean the appliance thoroughly prior to using it.
- During operation keep hands, hair clothing, and utensils away from the cutting blade to avoid injuries and damage to the appliance.
- The appliance is only intended for short term operation. After an operation time of 5 minutes let it cool for at least 30 minutes. Do not overload the

SPECIFICATION

Model	SL-517/SL517
Rated Power	150W
Rated Input	AC 120V 60Hz 220-240V 50/60Hz

PARTS DESCRIPTION

1	Support Plate
2	Blade
3	Blade Locking Screw
4	Power Cord
5	Base Assembly
6	Food Carriage
7	Slicing Guard
8	On/Off switch
9	Thickness Adjustment Knob
10	Motor Assembly



Take the appliance and accessories out of the box. Remove the stickers, protective foil or plastic from the device.

Check for the presence of all parts and for transport damage. In case of damages or incomplete delivery, please contact your dealer.

Put the power cable into the socket. **(Note: Make sure the voltage which is indicated on the device matches the local voltage before connecting the device. Voltage AC220-240V 50/60Hz(AC 120V 60Hz) 150W.**

Before using your appliance for the first time, wipe all removable parts with a damp cloth. Never use abrasive products.

Clean the whole appliance (see the cleaning section).

Place the appliance on a dry, flat, and stable surface.

Apply downward pressure onto the appliance so that the suction feet(7) get a good grip.

BEFORE THE FIRST USE

Use the setting button to choose the desired cutting width.

The cutting width is adjustable from 1 to 15mm. Slide the cradle to the left and place the food on the cradle.

Place the holder on the cradle; use this holder to push the food slightly against the back cover.

Activate the device by using the on/off switch which is located on the left side of the device.

NOTE: This appliance is equipped with a safety yourself then push simultaneously the on/off

switch and the appliance will start. By pushing the switch (A), first bring the safety switch towards on/off switch again the appliance will stop.

WARNING! Do not touch the blade, the blade is very sharp and can cause severe injury.

rotating blade. Catch the sliced food at the back of the device.

WARNING! Never use the device without the guard, you can seriously injure yourself.

When turning off the device the blade keeps turning for a while, so do not touch it. After 5 minutes of continued use, turn off the device and allow it to cool down, to prevent overheating of the motor.

CLEANING AND MAINTENANCE

Unplug the appliance and allow it to cool down. Use a soft, slightly damp cloth to wipe appliance surfaces. Do not allow water or any other liquid to get into the unit.

Before removing the blades, disconnect the power plug.

WARNING! Never touch the edges of the blades! Make sure the removed cutting knife cannot roll off the table!

Now you can clean the blade in soapy water, the blade is also dishwasher safe.

To put the cutting blade back into position, make sure the tabs on the blade match up to the appliance and put on the blade, lock the blade by turning the latch counterclockwise.

CLEANING THE TIE ROD AND BLADE GUARD

To disassemble the tie rod and blade guard:At the right side of the tie rod,you will find a hatch,slide this hatch to the right now you can take out the rod and you will be able to clean these parts.

WARNING!

Packaging materials are not toys. Children should not play with the packaging materials as they pose a risk of swallowing and suffocation!

USE

Use the setting button to choose the desired cutting width.

The cutting width is adjustable from 1 to 15 mm. Slide the cradle to the left and place the food on the cradle.

Place the holder on the cradle;use this holder to push the food slightly against the back cover.

Activate the device by using the on/off switch which is located on the left side of the device.

NOTE:This appliance is equipped with a safety switch (A),first bring the safety switch towards yourself then push simultaneously the on/off switch and the appliance will start.By pushing the on/off switch again the appliance will stop.

WARNING!Do not touch the blade,the blade is very sharp and can cause severe injury.

Slide the tray slowly to the right against the rotating blade.Catch the sliced food at the back of the device.

WARNING! Never use the device without the guard,you can seriously injure yourself.

PLEASE NOTE THAT:

This appliance is only suitable for slicing food e.g. meats, cheeses,fruits, vegetables,breads,etc.The food to be sliced must be defrosted,unpackaged and deboned before it can be sliced with the appliance. Do not use it for slicing frozen food,bones, or for any other

purpose.

This appliance is only suitable for private household use and it is not designed for commercial purposes.

This appliance is intended for dry indoor use only. Do not use the appliance outdoors.

HOT ROASTS — BEEF, PORK, LAMB, TURKEY, HAM

When slicing boneless roasts, remove from the oven and allow to cool for 15-20 minutes before

Cut the roast, if necessary, to fit onto the platform. Place foil underneath the platform table to catch juices and crumbs for easy cleanup (and treating yourself with the best pieces).

For rolled or tied roast, remove strings one at a time as the strings become closer to the blade (make sure the appliance is off).

CHEESE

Slice while well chilled.

When serving, allow the cheese to reach room temperature. This will enhance the natural flavour. Some processed cheese may stick to the blade.

When necessary, turn the appliance off, wait for the blade to stop turning, and remove the plug. Wipe the blade with a damp cloth since moisture will help prevent the blade from sticking.

BACK BACON

Chill thoroughly before slicing. Some types of smoked bacon should have the fat removed.

COLD CUTS AND SANDWICH MEAT

Cold cuts of meat will last longer and will retain flavour longer if sliced when needed.

For best results, chill first.

Remove any plastic or hard casing before slicing. Use a constant, gentle

pressure for uniform slices.

FRUITS AND VEGETABLES

Slice potatoes for thick or thin chips.

Slice carrots lengthwise in very thin strips. Soak in ice water to curl. Slice zucchini, eggplant, and squash.

BACK BACON

Chill thoroughly before slicing. Some types of smoked bacon should have the fat removed.

Cold Cuts and Sandwich Meat

Cold cuts of meat will last longer and will retain flavour longer if sliced when needed.

For best results, chill first. Remove any plastic or hard casing before slicing. Use a constant, gentle pressure for uniform slices.

FRUITS AND VEGETABLES

Slice potatoes for thick or thin chips.

Slice carrots lengthwise in very thin strips. Soak in ice water to curl.

Slice zucchini, eggplant, and squash.

CLEANING AND MAINTENANCE

Unplug the appliance and allow it to cool down. Use a soft, slightly damp cloth to wipe appliance surfaces. Do not allow water or any other liquid to get into the unit.

REMOVE THE CUTTING BLADE

Before removing the blades, disconnect the power plug.

WARNING! Never touch the edges of the blades! Make sure the removed cutting knife cannot roll off the table! Keep children at a safe distance! To remove the cutting blade. Push the 'push button' in the middle of the

cutting blade, a latch will come out;turn the latch clockwise to unlock the cutting blade.

Now you can clean the blade in soapy water,the blade is also dishwasher safe.

To put the cutting blade back into position,make sure the tabs on the blade match up to the appliance and put on the blade,lock the blade by turning the latch counter-clockwise

CLEANING THE TIE ROD AND BLADE GUARD

To disassemble the tie rod and blade guard: At the right side of the tie rod,you will find a hatch, slide this hatch to the right now you can take out the rod and you will be able to clean these parts.

PARTS	HOW TO CLEAN THEM?
Food holder	Remove and clean with soapy water. Rinse under tap water and dry thoroughly.
Sliding platform	Wipe with a soft cloth damped with some dish washing liquid.
Sliding food guide	Wipe with a clean cloth and dry thoroughly. Do not immerse in water or other liquids!

STORAGE AND DISPOSAL

STORAGE:

Store the appliance in a cool,dry,and clean place, out of the reach of children and pets.

Please keep the packaging for transporting the appliance or for storing your appliance when not in use for a prolonged time period.

PRODUCT DISPOSAL:

This product may not be disposed of with ordinary household waste,as electrical and electronic waste must be disposed of separately.



VEVOR

Affordable. Reliable. Home Improvement.

TRANCHEUSE

Modèle : SL-517 / SL517

VEVOR

Affordable. Reliable. Home Improvement.

FOOD SLICER

Modèle : SL-517 / SL517






Ceci est le mode d'emploi d'origine. Veuillez lire attentivement l'intégralité du manuel avant utilisation. VEVOR se réserve le droit d'interpréter clairement ce manuel d'utilisation. L'apparence du produit dépend du produit que vous avez reçu. Veuillez nous excuser de ne plus vous informer des mises à jour technologiques ou logicielles de notre produit.

MESURES DE SÉCURITÉ IMPORTANTES



Avertissement - Pour réduire le risque de blessure, l'utilisateur doit lire attentivement le manuel d'instructions.

	<p>Tenir les enfants éloignés de la machine par crainte du danger.</p>
	<p>Avertissement - Pour usage intérieur uniquement</p>
	<p style="text-align: center;">ÉLIMINATION CORRECTE</p> <p>Ce produit est soumis aux dispositions de la directive européenne 2012/19/UE. Le symbole représentant une poubelle barrée indique que le produit doit faire l'objet d'une collecte sélective dans l'Union européenne. Ceci s'applique au produit et à tous les accessoires marqués de ce symbole. Les produits ainsi marqués ne doivent pas être jetés avec les ordures ménagères, mais doivent être déposés dans un point de collecte pour le recyclage des appareils électriques et électroniques.</p>

MESURES DE SÉCURITÉ IMPORTANTES

Lors de l'utilisation d'appareils électriques, des précautions de sécurité de base doivent être prises. doivent toujours être respectées, y compris les suivantes :

LISEZ ET CONSERVEZ CES INSTRUCTIONS INSTRUCTIONS

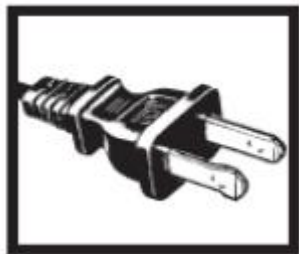
- Lisez toutes les instructions avant utilisation.
- Pour éviter tout risque de choc électrique, ne branchez pas l'unité d'alimentation dans l'eau ou dans un autre liquide.
- Une surveillance étroite est nécessaire lorsqu'un appareil est utilisé par ou à proximité des enfants. Les enfants ne doivent pas utiliser cet appareil.
- Placez l'interrupteur marche/arrêt en position « OFF » et retirez la fiche du cordon de la prise électrique lorsqu'il n'est pas utilisé, avant de mettre ou de retirer Débranchez les pièces et avant de les nettoyer. Ne tirez pas sur le cordon d'alimentation.

- Évitez tout contact avec les pièces mobiles. Ne donnez jamais les aliments à la main. Toujours utiliser une trancheuse entièrement assemblée avec plateau à aliments et poussoir à aliments.
- N'utilisez pas d'appareil dont le cordon ou la fiche est endommagé, après un dysfonctionnement de l'appareil ou après qu'il soit tombé ou ait été endommagé. de quelque manière que ce soit. N'entretenez pas ce produit autrement que ce qui est indiqué dans ce manuel.
- L'utilisation d'accessoires non recommandés ou vendus par le fabricant peut entraîner des blessures.
- Ne pas utiliser à l'extérieur.
- Ne laissez pas le cordon pendre sur le bord de la table ou du comptoir, ni le toucher. surfaces chaudes, y compris la cuisinière. N'utilisez pas de rallonge.
- N'utilisez pas l'appareil à d'autres fins que celles prévues. La lame est tranchante. Manipulez-le avec précaution lors du nettoyage.
- L'interrupteur de sécurité empêche le fonctionnement accidentel de l'appareil. Ne contournez pas l'interrupteur de sécurité.
- L'appareil ne doit pas être utilisé pour couper des aliments congelés ou des os.
- N'utilisez l'appareil que si la lame est correctement verrouillée et/ou resserré.
- Coupez toujours les aliments avec la trancheuse entièrement assemblée .

CET APPAREIL EST DESTINÉ À UN USAGE DOMESTIQUE UNIQUEMENT

Ce produit n'est pas destiné à un usage commercial. Aucune pièce interne ne peut être réparée par l'utilisateur. N'essayez pas de réparer ce produit.

FICHE POLARISÉE



Cet appareil est équipé d'une fiche polarisée (une lame est plus large que l'autre). Par mesure de sécurité, réduire le risque de choc électrique, cette prise est conçu pour s'insérer dans une prise polarisée d'une seule manière. Si la fiche ne s'insère pas complètement dans la prise, inversez la prise. Si elle ne s'adapte toujours pas, contactez un technicien qualifié électricien. N'essayez pas de contourner cette sécurité modifier la fiche de quelque façon que ce soit. Si la fiche s'insère mal dans la prise secteur ou si la prise secteur est chaude, n'utilisez pas cette prise.

CONSERVEZ CES INSTRUCTIONS
NE PAS IMMERGER LE CORDON DANS L'EAU OU TOUT AUTRE LIQUIDE !

SÉCURITÉ INSTRUCTIONS

- Si vous ignorez les consignes de sécurité, le fabricant ne peut être tenu responsable des dommages.
- Si le cordon d'alimentation est endommagé, il doit être remplacé par le fabricant son agent de service, ou personnes qualifiées de manière similaire afin d'éviter une danger.
- N'utilisez pas cet appareil avec un cordon ou une fiche endommagés ou lorsque l'appareil présente des dysfonctionnements ou a été endommagé de quelque manière que ce soit. Pour éviter un danger , assurez-vous qu'un cordon ou une fiche endommagée est remplacé par un réparateur compétent et qualifié service. Ne réparez pas cet appareil vous-même.
- Ne déplacez jamais l'appareil en tirant sur le cordon et assurez-vous que le cordon ne peut pas s'emmêler.

- L'appareil doit être placé sur une surface stable et plane.
- Cet appareil doit être utilisé uniquement à des fins domestiques et uniquement pour l'usage auquel il est destiné.
- L'appareil peut être utilisé par des enfants âgés de 8 ans et plus et des personnes à mobilité réduite. capacités physiques, sensorielles ou mentales ou manque de expérience et connaissances s'ils sont sous supervision et ont reçu des instructions concernant l'utilisation de l'appareil en toute sécurité et comprendre les dangers encourus. Les enfants doivent ne jouez pas avec l'appareil. Le nettoyage et l'entretien de l'utilisateur ne doivent pas être effectués par des enfants à moins qu'ils aient plus de 8 ans et supervisé.
- Pour vous protéger contre un choc électrique, ne plongez pas le cordon, la fiche ou l'appareil dans l'eau ou tout autre liquide.
- Éteignez l'appareil et débranchez-le de l'alimentation électrique avant de changer des accessoires ou de manipuler des pièces mobiles pendant l'utilisation.
- Débranchez toujours l'appareil s'il est laissé sans surveillance et avant assemblage, démontage, ou nettoyage.
- Ne laissez pas les enfants utiliser l'appareil sans surveillance.
- Cet appareil doit être utilisé avec la table d'alimentation coulissante et le porte-pièce en position, sauf si cela n'est pas possible en raison de la taille ou de la forme des aliments.
- Évitez les accidents tels que les trébuchements ou les chutes en plaçant le cordon dans une position sûre.
- Si une rallonge est utilisée, sa capacité doit être adaptée à la consommation électrique de l'appareil .
- N'utilisez pas l'appareil avec les mains mouillées ou en vous tenant debout sur un sol mouillé. Ne touchez pas le prise d'alimentation avec les mains mouillées.
- N'ouvrez en aucun cas le boîtier de l'appareil . N'insérez aucun objet étranger à l'intérieur du boîtier.
- N'utilisez jamais d'accessoires non recommandés par le fabricant. Ils pourraient constituer un danger. risque pour l'utilisateur et pourrait

endommager l'appareil. Utilisez uniquement des pièces et accessoires d'origine.

- Gardez l'appareil éloigné de toute surface chaude et flammes nues. Utilisez toujours l'appareil sur un sol plat, stable, propre et sec. surface. Protéger l'appareil de la chaleur, poussière, lumière directe du soleil, humidité, gouttes , et des éclaboussures d'eau.
- Ne placez pas d'objets lourds sur le dessus appareil. Ne pas placer objets avec flammes nues, par exemple des bougies, sur ou à côté de l'appareil. Ne placez pas d'objets remplis d'eau, vases à egvases, sur ou à proximité de l'appareil.
- Ne tirez pas sur le cordon d'alimentation pour retirer la fiche de la prise électrique et n'enroulez pas le cordon d'alimentation autour de l'appareil.
- Débranchez l'appareil de la prise électrique lorsqu'il n'est pas utilisé et avant le nettoyage.
- Éteignez l'appareil avant de changer accessoires ou manutention pièces qui bougent pendant utiliser.
- Si l'appareil surchauffe, arrêtez d'utiliser l'appareil et débranchez-le de sa prise électrique.
- Ne jamais partir l'appareil sans surveillance pendant son utilisation.
- Séchez l'appareil et tous les accessoires avant de connecter à l'alimentation électrique et avant de fixer les accessoires.
- Éteignez toujours l'appareil avant de débrancher la fiche d'alimentation.
- Nettoyez soigneusement l'appareil avant de l'utiliser.
- Pendant l'opération, gardez les mains et les cheveux vêtements et ustensiles loin de la lame de coupe pour éviter blessures et dommages à l'appareil.
- L'appareil est destiné uniquement à une utilisation à court terme opération. Après un temps de fonctionnement de 5 minutes, laissez il laisser refroidir pendant au moins 30 minutes. Ne surchargez pas le

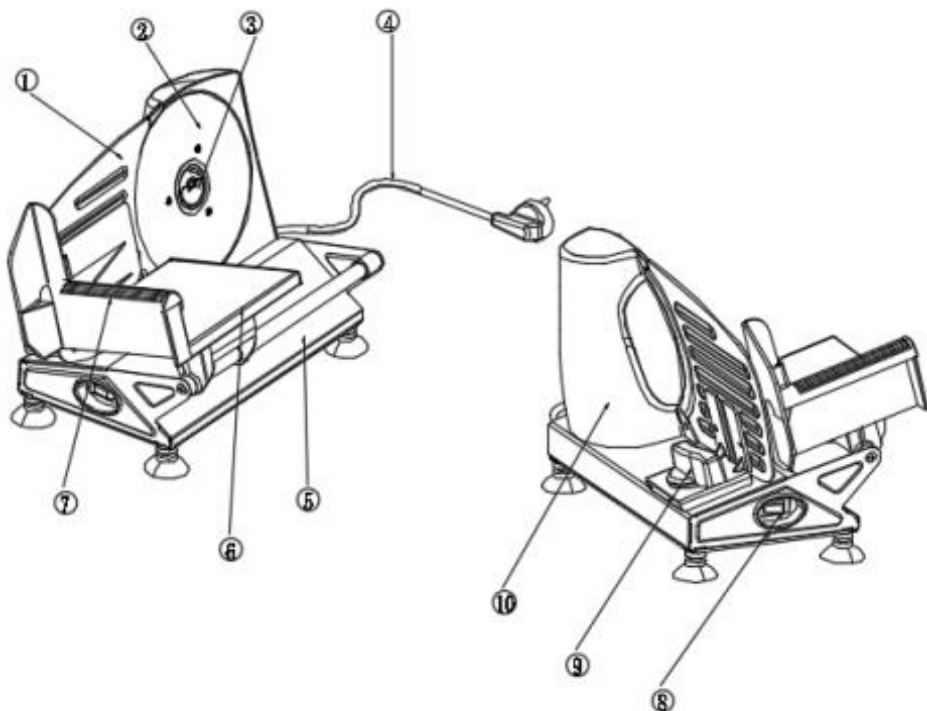
SPÉCIFICATION

Modèle	SL-517 / SL517
---------------	----------------

Puissance nominale	150 W
Entrée nominale	CA 120 V 60 Hz 220-240 V 50/60 Hz

PARTIES DESCRIPTION

1	Plaque de support
2	Lame
3	Vis de blocage de la lame
4	Cordon d'alimentation
5	Assemblage de base
6	Transport de nourriture
7	Garde de tranchage
8	Interrupteur marche/arrêt
9	Bouton de réglage de l'épaisseur
10	Ensemble moteur



Retirez l'appareil et les accessoires de la boîte. Retirez les autocollants, le film protecteur ou le plastique de l'appareil.

Vérifiez la présence de toutes les pièces et dommages de transport. En cas de dommages ou de livraison incomplète, veuillez contacter votre revendeur.

Branchez le câble d'alimentation dans la prise. (**Remarque** : assurez-vous que la tension indiquée sur l'appareil correspond à la tension locale avant de brancher l'appareil.) Tension AC220-240V 50/ 60Hz (AC 120V 60 Hz) 150 W.

Avant d'utiliser votre appareil pour la première fois, essayez tous les pièces amovibles avec un chiffon humide. Ne jamais utiliser produits abrasifs.

Nettoyer l'ensemble de l'appareil (voir rubrique nettoyage).

Lieu le appareil sur un sec, plat, et surface stable.

Appliquez une pression vers le bas sur l'appareil afin que les pieds ventouses (7) aient une bonne adhérence.

AVANT LE PREMIÈRE UTILISATION

Utilisez le bouton de réglage pour choisir la largeur de coupe souhaitée. Le coupe largeur est réglable depuis 1 à 15 mm. Faites glisser le support vers la gauche et placez les aliments dessus.

Placez le support sur le berceau ; utilisez ce support pour pousser légèrement les aliments contre le couvercle arrière.

Activez l'appareil en utilisant l'interrupteur marche/arrêt qui se trouve sur le côté gauche de l'appareil.

REMARQUE : Cet appareil est équipé d'un dispositif de sécurité vous-même puis appuyez simultanément sur le bouton marche/arrêt interrupteur et l'appareil va démarrer. En appuyant sur le interrupteur (A), amenez d'abord l'interrupteur de sécurité vers Appuyez à nouveau sur l'interrupteur marche/arrêt et l'appareil s'arrêtera.

ATTENTION ! Ne touchez pas la lame, elle est très tranchant et peut causer des blessures graves.

lame rotative. Récupérez les aliments coupés à l'arrière de l'appareil.

ATTENTION ! N'utilisez jamais l'appareil sans le garde, tu peux te blesser gravement.

Lorsque vous éteignez l'appareil, la lame continue de tourner pendant un certain temps, ne la touchez donc pas. Après 5 minutes d'utilisation continue, éteignez l'appareil et laissez - le refroidir pour éviter la surchauffe du moteur.

NETTOYAGE ET ENTRETIEN

Débranchez l'appareil et laissez-le refroidir. Utilisez un chiffon doux et légèrement humide pour essuyer les surfaces. Ne laissez pas d'eau ou tout autre liquide pénétrer dans l'appareil.

Avant de retirer les lames, débranchez l'alimentation prise.

ATTENTION ! Ne touchez jamais les bords des lames ! Assurez-vous que le couteau retiré ne puisse pas rouler. hors de la table !

Vous pouvez maintenant nettoyer la lame à l'eau savonneuse, la lame passe également au lave-vaisselle.

Pour remettre la lame de coupe en position, assurez-vous que les languettes de la lame correspondent aux appareil et placez la lame, verrouillez la lame en tournant le loquet dans le sens inverse des aiguilles d'une montre.

NETTOYAGE DE LA BIELLE DE DIRECTION ET DU PROTÈGE-LAME

Pour démonter la barre d'accouplement et le protège-lame : Sur le côté droit de la barre d'accouplement, vous trouverez une trappe, faites glisser cette trappe vers la droite, vous pouvez maintenant retirer le tige et vous pourrez nettoyer ces pièces.

AVERTISSEMENT!

Les matériaux d'emballage ne sont pas des jouets. Les enfants ne doivent pas jouer avec. car ils présentent un risque d'ingestion et d'étouffement !

UTILISER

Utilisez le bouton de réglage pour choisir le réglage souhaité largeur de coupe.

La largeur de coupe est réglable de 1 à 15 mm. Faites glisser le support vers la gauche et placez la nourriture dessus le berceau.

Placez le support sur le berceau ; utilisez ce support pour poussez légèrement les aliments contre le couvercle arrière.

Activez l'appareil en utilisant l'interrupteur marche/arrêt qui se trouve sur le côté gauche de l'appareil.

REMARQUE : Cet appareil est équipé d'un dispositif de sécurité interrupteur (A), amenez d'abord l'interrupteur de sécurité vers vous-même puis appuyez simultanément sur le bouton marche/arrêt l'interrupteur et l'appareil démarrera. En appuyant sur le Appuyez à nouveau sur l'interrupteur marche/ arrêt et l'appareil s'arrêtera.

ATTENTION ! Ne touchez pas la lame, elle est très tranchant et peut

causer des blessures graves .

Faites glisser lentement le plateau vers la droite contre le lame rotative.

Attrape les aliments tranchés à l'arrière de l'appareil.

ATTENTION ! N'utilisez jamais l'appareil sans le garde, tu peux te blesser gravement.

VEUILLEZ NOTER QUE :

Cet appareil est uniquement adapté pour trancher aliments, par exemple viandes , fromages, fruits, légumes, pains, etc. Le nourriture à être tranché doit être décongelé, déballé et désossé avant de pouvoir être tranché avec le appareil. Ne l'utilisez pas pour trancher des produits surgelés. nourriture, os, ou à toute autre fin.

Cet appareil est uniquement destiné à un usage domestique privé et n'est pas conçu à des fins commerciales.

Cet appareil est destiné à une utilisation intérieure sèche uniquement. Ne pas utiliser l'appareil en plein air.

RÔTIS CHAUDS DE BOEUF, PORC, AGNEAU, DINDE, JAMBON

Lorsque vous tranchez des rôtis désossés, retirez-les de la four et laisser refroidir 15 à 20 minutes avant

Coupez le rôti si nécessaire pour qu'il tienne sur la plateforme. Placez du papier aluminium sous la plateforme pour récupérer le jus et les miettes, et ainsi faciliter le nettoyage (et vous offrir les meilleurs morceaux).

Pour un rôti roulé ou ficelé, retirez les ficelles une par une au fur et à mesure qu'elles se rapprochent de la lame (assurez-vous que l'appareil est éteint).

FROMAGE

Trancher finement glacé.

servir, laisser le fromage atteindre la température ambiante température.

Cela rehaussera la saveur naturelle. Certains fromages fondus peuvent coller à la lame.

Si nécessaire, éteignez l'appareil, attendez que la lame s'arrête de tourner

et débranchez-la. Essuyez la lame avec un chiffon humide pour éviter qu'elle ne colle.

BACON DE DOS

Bien refroidir avant de trancher. Certains types de bacon fumé doivent être débarrassés de leur graisse.

CHARCUTERIE ET VIANDE À SANDWICH

Les charcuteries de viande seront durer plus longtemps et conservent leur saveur plus longtemps s'ils sont tranchés au moment voulu.

Pour de meilleurs résultats, laissez refroidir d'abord.

Retirez tout plastique ou coque rigide avant de trancher. Exercez une pression douce et constante pour des tranches uniformes.

FRUITS ET LÉGUMES

Coupez les pommes de terre en tranches pour obtenir des frites épaisses ou fines.

Coupez les carottes en fines lamelles dans le sens de la longueur.

Trempez-les dans de l'eau glacée pour les friser. Coupez les courgettes en rondelles, aubergine, et la courge.

BACON DE DOS

Froideur soigneusement avant de trancher. Certains types de produits fumés le bacon doit être débarrassé de sa graisse.

Charcuterie et viande à sandwich

Les charcuteries de viande seront durer plus longtemps et conservent leur saveur plus longtemps s'ils sont tranchés au moment voulu.

Pour de meilleurs résultats, laissez refroidir d'abord. Retirez tout plastique ou coque rigide avant de trancher. Exercez une pression douce et constante pour des tranches uniformes.

FRUITS ET LÉGUMES

Coupez les pommes de terre en tranches pour obtenir des frites épaisses ou fines.

Coupez les carottes dans le sens de la longueur en très fines lanières.

Faites-les tremper dans de l'eau glacée pour les boucler.

Couper les courgettes en rondelles, aubergine, et la courge.

NETTOYAGE ET ENTRETIEN

Débranchez l'appareil et laissez-le refroidir. Utilisez un chiffon doux légèrement humide pour essuyer l'appareil surfaces. Ne laissez pas d'eau ou tout autre liquide pénétrer dans l'appareil.

RETIRER LA LAME DE COUPE

Avant de retirer les lames, débranchez la fiche d'alimentation.

ATTENTION ! Ne touchez jamais les bords des lames ! Assurez-vous que le couteau de coupe retiré ne peut pas rouler hors de la table ! Gardez les enfants à distance de sécurité ! Pour retirer la lame de coupe, appuyez sur le bouton « push » bouton' au milieu de la lame de coupe, un loquet volonté sortir; tourner le loquet dans le sens des aiguilles d'une montre pour déverrouiller la lame de coupe.

Vous pouvez maintenant nettoyer la lame à l'eau savonneuse, la lame passe également au lave-vaisselle.

Pour remettre la lame de coupe en position, assurez-vous que les languettes de la lame correspondent aux appareil et placez la lame, verrouillez la lame en tournant le loquet dans le sens inverse des aiguilles d'une montre

NETTOYAGE DE LA BIELLE DE DIRECTION ET DU PROTÈGE-LAME

Pour démonter la biellette de direction et la lame garde: Sur le côté droit de la barre d'accouplement, vous trouver une trappe, faites glisser cette trappe vers la droite, vous pouvez maintenant retirer la tige et vous pourrez nettoyer ces pièces.

PARTIES	COMMENT NETTOYER EUX ?
Porte-nourriture	Retirer et nettoyer à l'eau savonneuse. Rincer sous l'eau du robinet et sécher soigneusement.
Plateforme coulissante	Essuyez avec un chiffon doux imbibé d'un peu d'eau de vaisselle. liquide de lavage.
Glissement guide alimentaire	Essuyez avec un chiffon propre et séchez soigneusement. Ne pas immerger dans l'eau ou tout autre liquide !

STOCKAGE ET ÉLIMINATION

STOCKAGE:

Rangez l'appareil dans un endroit frais, sec et propre, hors de portée des enfants et des animaux domestiques.

Veillez conserver l'emballage pour le transport appareil ou pour ranger votre appareil lorsqu'il n'est pas utilisé pendant une période prolongée.

ÉLIMINATION DU PRODUIT :

Ce produit ne doit pas être jeté avec les ordures ménagères ordinaires, car il s'agit d'appareils électriques et électroniques. les déchets doivent être éliminés séparément.



VEVOR

Affordable. Reliable. Home Improvement.

LEBENSMITTELSCHNEIDER

Modell: SL-517 / SL517

VEVOR

Affordable. Reliable. Home Improvement.

FOOD SLICER

Modell: SL-517 / SL517



Dies ist die Originalanleitung. Bitte lesen Sie alle Anweisungen sorgfältig durch, bevor Sie das Gerät in Betrieb nehmen. VEVOR behält sich eine klare Auslegung unserer Bedienungsanleitung vor. Das Aussehen des Produkts hängt vom gelieferten Produkt ab. Bitte haben Sie Verständnis dafür, dass wir Sie nicht erneut über Technologie- oder Software-Updates informieren.

WICHTIGE SICHERHEITSHINWEISE



Warnung: Um das Verletzungsrisiko zu verringern, muss der Benutzer die Bedienungsanleitung sorgfältig lesen.

	<p>Halten Sie Kinder aus Angst vor Gefahren von der Maschine fern.</p>
	<p>Warnung – Nur zur Verwendung in Innenräumen</p>
	<p>RICHTIGE ENTSORGUNG</p> <p>Dieses Produkt unterliegt den Bestimmungen der europäischen Richtlinie 2012/19/EU. Das Symbol einer durchgestrichenen Mülltonne weist darauf hin, dass dieses Produkt in der Europäischen Union einer getrennten Müllentsorgung unterliegt. Dies gilt für das Produkt und alle mit diesem Symbol gekennzeichneten Zubehörteile. Entsprechend gekennzeichnete Produkte dürfen nicht im Hausmüll entsorgt werden, sondern müssen an einer Sammelstelle für das Recycling von elektrischen und elektronischen Geräten abgegeben werden.</p>

WICHTIGE SICHERHEITSHINWEISE

Beim Gebrauch von Elektrogeräten sollten grundlegende Sicherheitsvorkehrungen getroffen werden immer befolgt werden, einschließlich der folgenden:

LESEN UND SPEICHERN SIE DIESE ANWEISUNGEN

- Lesen Sie vor der Verwendung alle Anweisungen.
- Zum Schutz vor Stromschlaggefahr das Netzteil nicht in Wasser oder anderen Flüssigkeiten.
- Bei der Benutzung eines Geräts durch oder in der Nähe von Kindern. Kinder sollten dieses Gerät nicht benutzen
- Stellen Sie den Ein-/Ausschalter auf „OFF“ und ziehen Sie den Kabelstecker ab aus der Steckdose, wenn es nicht verwendet wird, bevor

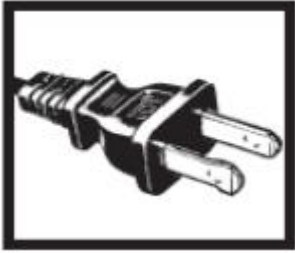
Sie es anlegen oder abnehmen Teile ausbauen und vor der Reinigung.
Nicht am Netzkabel ziehen.

- Vermeiden Sie den Kontakt mit beweglichen Teilen. Füttern Sie niemals mit der Hand. Verwenden Sie einen komplett montierten Alleschneider mit Lebensmittelschale und Lebensmittelschieber.
- Betreiben Sie kein Gerät mit beschädigtem Kabel oder Stecker, nachdem das Gerät eine Fehlfunktion aufweist oder heruntergefallen oder beschädigt wurde in keiner Weise. Warten Sie dieses Produkt nur, wenn dies in dieser Handbuch.
- Die Verwendung von Zubehör, das nicht von Herstellers kann zu Verletzungen führen.
- Nicht im Freien verwenden.
- Lassen Sie das Kabel nicht über die Tisch- oder Arbeitsplattenkante hängen oder berühren heiße Oberflächen, einschließlich des Herdes. Verwenden Sie kein Verlängerungskabel.
- Verwenden Sie das Gerät ausschließlich für den vorgesehenen Zweck. Die Klinge ist scharf. Gehen Sie beim Reinigen vorsichtig vor.
- Der Sicherheitsschalter verhindert eine versehentliche Bedienung des Geräts. Den Sicherheitsschalter nicht außer Kraft setzen oder umgehen.
- Das Gerät sollte nicht zum Schneiden von Tiefkühlkost oder Knochen verwendet werden.
- Betreiben Sie das Gerät nur, wenn die Klinge ordnungsgemäß verriegelt ist und/oder festgezogen.
- Schneiden Sie Lebensmittel immer mit vollständig montiertem Alleschneider .

DIESES GERÄT IST NUR FÜR DEN HAUSHALTSGEBRAUCH BESTIMMT

Dieses Produkt ist nicht für den gewerblichen Gebrauch bestimmt. Es enthält keine vom Benutzer zu wartenden Teile. Versuchen Sie nicht, das Produkt selbst zu warten.

POLARISIERTER STECKER



Dieses Gerät verfügt über einen polarisierten Stecker (ein Stift ist breiter als die andere). Als Sicherheitsmerkmal zu Um das Risiko eines Stromschlags zu verringern, ist dieser Stecker Passt nur auf eine Weise in eine polarisierte Steckdose. Wenn der Stecker nicht vollständig in die Steckdose passt, drehen Sie ihn um den Stecker. Wenn er immer noch nicht passt, wenden Sie sich an einen qualifizierten Elektriker. Versuchen Sie nicht, diese Sicherheitsvorrichtung zu umgehen. Funktion oder den Stecker in irgendeiner Weise zu modifizieren. Wenn der Stecker locker sitzt Wenn sich die Steckdose warm anfühlt, verwenden Sie diese nicht.

**BEWAHREN SIE DIESE ANWEISUNGEN AUF
TAUCHEN SIE DAS KABEL NICHT IN WASSER ODER JEDE ANDERE
FLÜSSIGKEIT!**

SICHERHEIT ANWEISUNGEN

- Bei Nichtbeachtung der Sicherheitshinweise kann der Hersteller nicht für Schäden haftbar gemacht werden.
- Wenn das Netzkabel beschädigt ist, muss es ersetzt vom Hersteller seinem Servicevertreter oder ähnlich qualifizierte Personen, um eine Gefahr.
- Verwenden Sie dieses Gerät nicht mit einem beschädigten Kabel oder Stecker oder wenn das Gerät Fehlfunktionen aufweist oder in irgendeiner Weise beschädigt wurde. Gefahr , stellen Sie sicher, dass ein beschädigtes Kabel oder ein beschädigter Stecker durch einen kompetenten und qualifizierten Reparaturdienst ersetzt wird Service. Reparieren Sie dieses Gerät nicht selbst.

- Bewegen Sie das Gerät niemals, indem Sie am Kabel ziehen und achten Sie darauf, dass sich das Kabel nicht verheddern kann.
- Das Gerät muss auf einer stabilen, ebenen Fläche aufgestellt werden.
- Dieses Gerät ist ausschließlich für den Hausgebrauch und nur für den vorgesehenen Zweck zu verwenden.
- Das Gerät kann von Kindern ab 8 Jahren und Personen mit eingeschränkter körperliche, sensorische oder geistige Fähigkeiten oder Mangel an Erfahrung und Wissen, wenn sie unter Aufsicht und unterwiesen wurden über die sichere Verwendung des Geräts und die damit verbundenen Gefahren verstehen. Kinder müssen nicht mit dem Gerät spielen. Reinigung und Benutzerwartung dürfen nicht von Kindern durchgeführt werden es sei denn, sie sind älter als 8 Jahre und beaufsichtigt.
- Um sich vor einem Stromschlag zu schützen, tauchen Sie das Kabel, den Stecker oder das Gerät nicht in Wasser oder andere Flüssigkeiten.
- Schalten Sie das Gerät aus und ziehen Sie den Netzstecker, bevor Sie Zubehörteile wechseln oder Teile handhaben, die sich während des Gebrauchs bewegen.
- Ziehen Sie immer den Netzstecker, wenn das Gerät unbeaufsichtigt bleibt und vor Zusammenbau, Demontage, oder Reinigung.
- Erlauben Sie Kindern nicht, das Gerät ohne Aufsicht.
- Dieses Gerät muss mit dem verschiebbaren Zuführtisch und dem Stückhalter in Position verwendet werden, es sei denn, dies ist aufgrund der Größe oder Form der Lebensmittel nicht möglich.
- Vermeiden Sie Unfälle wie Stolpern oder Stürze, indem Sie das Kabel an einer sicheren Position platzieren.
- Wenn ein Verlängerungskabel verwendet wird, muss dessen Kapazität für den Stromverbrauch des Geräts geeignet sein .
- Bedienen Sie das Gerät nicht mit nassen Händen oder wenn Sie auf einem nassen Boden stehen. Berühren Sie nicht die Netzstecker mit nassen Händen.
- Öffnen Sie auf keinen Fall das Gerätegehäuse . Führen Sie keine Fremdkörper in das Gehäuseinnere ein.

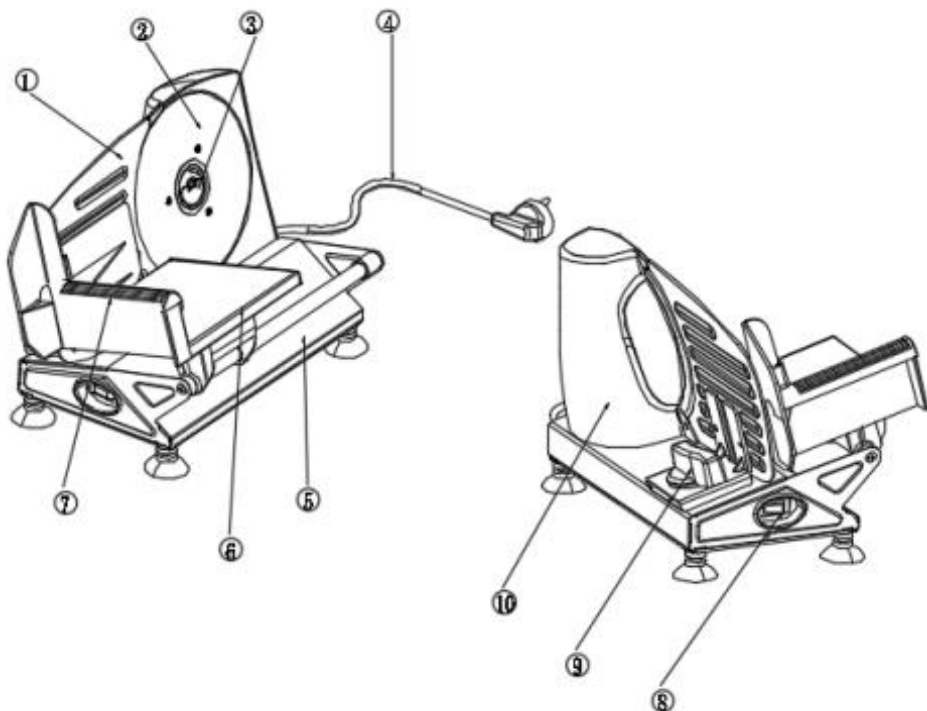
- Verwenden Sie niemals Zubehör, das nicht vom Hersteller empfohlen wird . Dies könnte eine Sicherheitsgefahr darstellen. Dies kann eine Gefahr für den Benutzer darstellen und zu Schäden am Gerät führen. Verwenden Sie nur Originalteile und -zubehör.
- Halten Sie das Gerät von heißen Oberflächen fern und offene Flammen. Betreiben Sie das Gerät immer auf einer ebenen, stabilen, sauberen und trockenen Oberfläche. Schützen Sie das Gerät vor Hitze, Staub, direkte Sonneneinstrahlung, Feuchtigkeit, tropft , und Spritzwasser.
- Stellen Sie keine schweren Gegenstände auf das Gerät. Nicht platzieren Objekte mit offene Flammen, zB Kerzen, auf oder neben dem Gerät. Stellen Sie keine mit Wasser gefüllten Gegenstände ab, zB Vasen, auf oder in der Nähe des Geräts.
- Ziehen Sie nicht am Netzkabel, um den Stecker aus der Steckdose zu ziehen, und wickeln Sie das Netzkabel nicht um das Gerät.
- Ziehen Sie den Netzstecker des Geräts aus der Steckdose bei Nichtgebrauch und vor der Reinigung.
- Schalten Sie das Gerät aus, bevor Sie den Zubehör oder Handhabung Teile, die sich während verwenden.
- Sollte das Gerät überhitzen, Stellen Sie die Verwendung des Geräts ein und ziehen Sie den Stecker aus der Steckdose.
- Niemals verlassen Lassen Sie das Gerät während des Gebrauchs nicht unbeaufsichtigt.
- Trocknen Sie das Gerät und alle Zubehör vor dem Anschluss an die Stromversorgung und vor dem Anbringen des Zubehörs.
- Schalten Sie das Gerät immer aus, bevor Sie den Netzstecker ziehen .
- Reinigen Sie das Gerät vor der Verwendung gründlich.
- Halten Sie während des Betriebs Hände, Haare Kleidung und Utensilien von der Schneidklinge fernhalten, um Verletzungen und Schäden am Gerät.
- Das Gerät ist nur für den kurzfristigen Gebrauch bestimmt. Betrieb. Nach einer Betriebszeit von 5 Minuten Es mindestens 30 Minuten abkühlen lassen. Überlasten Sie den

SPEZIFIKATION

Modell	SL-517 / SL517
Nennleistung	150 W
Nenneingangsleistung	Wechselstrom 120 V 60 Hz 220 - 240 V 50/60 Hz

TEILE BESCHREIBUNG

1	Stützplatte
2	Klinge
3	Klingenfeststellschraube
4	Netzkabel
5	Basisbaugruppe
6	Essenswagen
7	Schneidschutz
8	Ein-/Ausschalter
9	Dickeneinstellknopf
10	Motormontage



Nehmen Sie das Gerät und das Zubehör aus der Verpackung. Entfernen Sie die Aufkleber, Schutzfolie oder Plastik von Die Gerät.

Überprüfen Sie, ob alle Teile vorhanden sind und Transportschäden. Bei Beschädigungen oder unvollständiger Lieferung wenden Sie sich bitte an Ihren Händler.

Stecken Sie das Netzkabel in die Steckdose. (**Hinweis:** Stellen Sie sicher, dass die auf dem Gerät angegebene Spannung mit der örtlichen Spannung übereinstimmt, bevor Sie das Gerät anschließen. Spannung AC220-240V 50/ 60Hz (AC 120V 60 Hz) 150 W.

Wischen Sie vor der ersten Inbetriebnahme Ihres Geräts alle abnehmbare Teile mit einem feuchten Tuch. Verwenden Sie Schleifmittel.

Reinigen Sie das gesamte Gerät (siehe Abschnitt Reinigung).

Ort Die Gerät An A trocken, Wohnung, Und stabiler Untergrund.

Üben Sie Druck nach unten auf das Gerät aus, damit die Saugfüße (7)

guten Halt finden.

VOR DER ERSTE VERWENDUNG

Wählen Sie mit der Einstelltaste die gewünschte Schnittbreite.

Der Schneiden Breite Ist einstellbar aus 1 Zu 15 mm. Schieben Sie die Halterung nach links und legen Sie das Essen auf die Halterung.

Platzieren Sie den Halter auf der Halterung. Verwenden Sie diesen Halter, um Drücken Sie das Essen leicht gegen die hintere Abdeckung.

Aktivieren Sie das Gerät mit dem Ein-/Ausschalter die sich auf der linken Seite des Geräts befindet.

HINWEIS: Dieses Gerät ist mit einer Sicherheitsvorrichtung ausgestattet selbst und drücken Sie dann gleichzeitig die Ein-/Aus-schalter und das Gerät wird Durch Drücken der Schalter (A), bringen Sie zuerst den Sicherheitsschalter in Richtung Wenn Sie den Ein-/Ausschalter erneut betätigen, stoppt das Gerät.

WARNUNG! Berühren Sie nicht die Klinge, die Klinge ist sehr scharf und kann schwere Verletzungen verursachen.

rotierende Klinge. Fangen Sie das geschnittene Lebensmittel an der Rückseite des Geräts auf.

WARNUNG! Verwenden Sie das Gerät niemals ohne Schutzvorrichtung, Sie können sich ernsthaft verletzen.

Beim Ausschalten des Geräts dreht sich die Klinge noch eine Weile weiter, berühren Sie sie also nicht. Schalten Sie das Gerät nach 5 Minuten ununterbrochener Verwendung aus und lassen Sie es abkühlen , um eine Überhitzung des Motors zu vermeiden.

REINIGUNG UND WARTUNG

Ziehen Sie den Netzstecker und lassen Sie das Gerät abkühlen. Wischen Sie die Geräteoberflächen mit einem weichen, leicht feuchten Tuch ab.

Achten Sie darauf, dass kein Wasser oder andere Flüssigkeiten in das Gerät gelangen.

Vor dem Entfernen der Klingen die Stromversorgung trennen Stecker.

WARNUNG! Berühren Sie niemals die Kanten der Klingen! Stellen Sie

sicher, dass das entfernte Schneidmesser nicht wegrollen kann vom Tisch!
Jetzt können Sie die Klinge in Seifenwasser reinigen, die Klinge ist auch
spülmaschinenfest.

Um die Schneidklinge wieder in Position zu bringen, achten Sie darauf,
dass die Laschen an der Klinge mit dem Gerät und setzen Sie die Klinge
auf. Verriegeln Sie die Klinge, indem Sie den Riegel gegen den
Uhrzeigersinn drehen.

REINIGUNG DER ZUGSTANGE UND DES SÄGEBLATTSCHUTZES

So demontieren Sie die Spurstange und den Klingenschutz: Auf der
rechten Seite der Spurstange finden Sie eine Klappe. Schieben Sie diese
Klappe nach rechts, jetzt können Sie die Stange und Sie können diese
Teile reinigen.

WARNUNG!

Verpackungsmaterialien sind kein Spielzeug. Kinder sollten nicht mit den
Verpackungsmaterialien spielen da Verschluckungs- und
Erstickungsgefahr besteht!

VERWENDEN

Wählen Sie mit der Einstelltaste die gewünschte Schnittbreite.
Die Schnittbreite ist von 1 bis 15 mm einstellbar. Schieben Sie die
Halterung nach links und legen Sie das Essen darauf die Wiege.
Platzieren Sie den Halter auf der Halterung. Verwenden Sie diesen Halter,
um Drücken Sie das Essen leicht gegen die hintere Abdeckung.
Aktivieren Sie das Gerät mit dem Ein-/Ausschalter die sich auf der linken
Seite des Geräts befindet.

HINWEIS: Dieses Gerät ist mit einer Sicherheitsvorrichtung ausgestattet
Schalter (A), bringen Sie zuerst den Sicherheitsschalter in Richtung selbst
und drücken Sie dann gleichzeitig die Ein-/Aus- Schalter und das Gerät
startet. Durch Drücken der Drücken Sie den Ein-/ Ausschalter erneut, und
das Gerät stoppt.

WARNUNG! Berühren Sie nicht die Klinge, die Klinge ist sehr scharf und

kann schwere Verletzungen verursachen .

Schieben Sie das Fach langsam nach rechts gegen die rotierenden Klinge. Fangen Sie die geschnittenen Lebensmittel auf der Rückseite des Gerät.

WARNUNG! Verwenden Sie das Gerät niemals ohne Schutzvorrichtung, Sie können sich ernsthaft verletzen.

BITTE BEACHTEN SIE:

Dieses Gerät ist nur zum Schneiden geeignet Lebensmittel zB Fleisch , Käse, Obst, Gemüse, Brot usw. Die Essen zu sein in Scheiben geschnitten müssen aufgetaut, unverpackt und entbeint, bevor es mit dem Gerät. Verwenden Sie es nicht zum Schneiden von gefrorenem Nahrung, Knochen, oder für andere Zwecke.

Dieses Gerät ist nur für den privaten Hausgebrauch geeignet und nicht für gewerbliche Zwecke konzipiert.

Dieses Gerät ist nur für den Gebrauch in trockenen Innenräumen vorgesehen. Verwenden Sie das Gerät nicht draußen.

WARMER BRATEN – RINDFLEISCH, SCHWEINEFLEISCH, LAMM, TRUTHAHN, SCHINKEN

Beim Schneiden von Braten ohne Knochen, entfernen Sie aus der Ofen und lassen Sie es 15-20 Minuten abkühlen, bevor

Schneiden Sie den Braten bei Bedarf so zu, dass er auf die Plattform passt. Legen Sie Folie unter den Plattformtisch, um Bratensaft und Krümel aufzufangen und so die Reinigung zu erleichtern (und sich die besten Stücke zu gönnen).

Entfernen Sie bei gerolltem oder gebundenem Braten die Fäden einzeln, wenn sie näher an die Klinge kommen (stellen Sie sicher, dass das Gerät ausgeschaltet ist).

KÄSE

Schneiden Sie gut gekühlt.

Zum Servieren den Käse auf Raumtemperatur abkühlen lassen.

Temperatur. Dadurch wird der natürliche Geschmack verstärkt. Etwas

Schmelzkäse kann an der Klinge kleben bleiben.

Schalten Sie das Gerät bei Bedarf aus, warten Sie , bis sich die Klinge nicht mehr dreht, und ziehen Sie den Stecker. Wischen Sie die Klinge mit einem feuchten Tuch ab , da Feuchtigkeit verhindert, dass die Klinge festklebt.

RÜCKENSPECK

Vor dem Schneiden gründlich kühlen. Bei einigen Arten von geräuchertem Speck sollte das Fett entfernt werden.

Aufschnitt und Sandwichfleisch

Aufschnitt wird länger halten und Behält den Geschmack länger, wenn er bei Bedarf in Scheiben geschnitten wird.

Für beste Ergebnisse zuerst kühlen.

Entfernen Sie vor dem Schneiden alle Kunststoff- oder Hartschalen. Üben Sie konstanten, sanften Druck aus, um gleichmäßige Scheiben zu erhalten.

OBST UND GEMÜSE

Schneiden Sie Kartoffeln in dicke oder dünne Pommes.

Karotten der Länge nach in sehr dünne Streifen schneiden. In Eiswasser einweichen, bis sie sich kräuseln. Zucchini in Scheiben schneiden, Aubergine, und Kürbis.

RÜCKENSPECK

Kühlen vor dem Schneiden gründlich durch. Einige Arten von geräuchertem Speck sollte vom Fett befreit werden.

Aufschnitt und Sandwichfleisch

Aufschnitt wird länger halten und Behält den Geschmack länger, wenn er bei Bedarf in Scheiben geschnitten wird.

Für beste Ergebnisse zuerst kühlen. Entfernen Sie vor dem Schneiden alle Kunststoff- oder Hartschalen. Üben Sie konstanten, sanften Druck aus, um

gleichmäßige Scheiben zu erhalten.

OBST UND GEMÜSE

Schneiden Sie Kartoffeln in dicke oder dünne Pommes.

Karotten der Länge nach in sehr dünne Streifen schneiden. In Eiswasser einweichen, bis sie sich kräuseln.

Zucchini in Scheiben schneiden, Aubergine, und Kürbis.

REINIGUNG UND WARTUNG

Ziehen Sie den Netzstecker und lassen Sie das Gerät abkühlen.

Verwenden Sie ein weiches, leicht feuchtes Tuch, um das Gerät abzuwischen Oberflächen. Lassen Sie kein Wasser oder andere Flüssigkeiten in das Gerät eindringen.

ENTFERNEN SIE DIE SCHNEIDKLINGE

Vor dem Entfernen des Klingens, ziehen Sie den Netzstecker.

WARNUNG! Berühren Sie niemals die Kanten der Klinsen! Stellen Sie sicher, dass das ausgebaute Schneidmesser nicht wegrollen kann vom Tisch! Halten Sie Kinder fern! Zum Entfernen der Schneidklinge: Drücken Sie die Taste' in der Mitte der Schneidklinge, ein Riegel Wille herauskommen; drehen Sie den Riegel im Uhrzeigersinn, um ihn zu entriegeln die Schneidklinge.

Jetzt können Sie die Klinge in Seifenwasser reinigen, die Klinge ist auch spülmaschinenfest.

Um die Schneidklinge wieder in Position zu bringen, achten Sie darauf, dass die Laschen an der Klinge mit den Gerät und setzen Sie die Klinge auf, verriegeln Sie die Klinge, indem Sie den Riegel gegen den Uhrzeigersinn drehen

REINIGUNG DER ZUGSTANGE UND DES SÄGEBLATTSCHUTZES

Zur Demontage der Spurstange und des Messers bewachen: Auf der

rechten Seite der Spurstange finden Sie finde eine Luke, Schieben Sie diese Klappe nach rechts. Jetzt können Sie die Stange herausnehmen und diese Teile reinigen.

TEILE	REINIGUNG IHNEN ?
Lebensmittelhalter	Entfernen und mit Seifenwasser reinigen. Unter fließendem Wasser abspülen und gründlich trocknen.
Schiebeplattform	Mit einem weichen, mit etwas Spülmittel angefeuchteten Tuch abwischen Waschflüssigkeit.
Schiebetüren Ernährungsführer	Mit einem sauberen Tuch abwischen und gründlich trocknen. Nicht in Wasser oder andere Flüssigkeiten eintauchen!

LAGERUNG UND ENTSORGUNG

LAGERUNG:

Bewahren Sie das Gerät an einem kühlen, trockenen und sauberen Ort außerhalb der Reichweite von Kindern und Haustieren auf.

Bitte bewahren Sie die Verpackung für den Transport auf. Gerät oder zur Lagerung Ihres Geräts, wenn es längere Zeit nicht verwendet wird.

PRODUKTENTSORGUNG:

Dieses Produkt darf nicht mit dem normalen Hausmüll entsorgt werden, da elektrische und elektronische Abfälle müssen getrennt entsorgt werden.



VEVOR

Affordable. Reliable. Home Improvement.

AFFETTATRICE PER ALIMENTI

Modello: SL-517 / SL517

VEVOR

Affordable. Reliable. Home Improvement.

FOOD SLICER

Modello: SL-517 / SL517



Queste sono le istruzioni originali, si prega di leggere attentamente tutte le istruzioni del manuale prima dell'uso. VEVOR si riserva la piena interpretazione del proprio manuale utente. L'aspetto del prodotto dipenderà dal prodotto ricevuto. Vi preghiamo di scusarci se non vi informeremo più in caso di aggiornamenti tecnologici o software sul nostro prodotto.

IMPORTANTI MISURE DI SICUREZZA



Avvertenza: per ridurre il rischio di lesioni, l'utente deve leggere attentamente il manuale di istruzioni.

	<p>Tenere i bambini lontani dalla macchina per evitare pericoli.</p>
	<p>Attenzione: solo per uso interno</p>
	<p>SMALTIMENTO CORRETTO</p> <p>Questo prodotto è soggetto alle disposizioni della Direttiva Europea 2012/19/UE. Il simbolo raffigurante un bidone della spazzatura barrato indica che il prodotto richiede la raccolta differenziata nell'Unione Europea. Questo vale per il prodotto e tutti gli accessori contrassegnati da questo simbolo. I prodotti contrassegnati come tali non possono essere smaltiti con i normali rifiuti domestici, ma devono essere conferiti presso un punto di raccolta per il riciclaggio di apparecchiature elettriche ed elettroniche.</p>

IMPORTANTI MISURE DI SICUREZZA

Quando si utilizzano apparecchi elettrici, è necessario adottare le precauzioni di sicurezza di base essere sempre rispettate, tra cui le seguenti:

LEGGI E SALVA QUESTI ISTRUZIONI

- Leggere tutte le istruzioni prima dell'uso.
- Per proteggersi dal rischio di scosse elettriche non mettere l'unità di alimentazione in acqua o in altri liquidi.
- È necessaria una stretta supervisione quando un apparecchio viene utilizzato da o vicino ai bambini. I bambini non devono usare questo apparecchio.
- Posizionare l'interruttore On/Off in posizione "OFF" e rimuovere la spina del cavo dalla presa elettrica quando non in uso, prima di indossare o togliere smontare le parti e prima di pulirle. Non tirare il cavo di

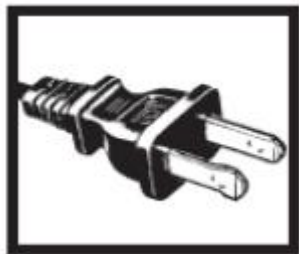
alimentazione.

- Evitare il contatto con le parti in movimento. Non somministrare mai il cibo a mano. Sempre utilizzare l'affettatrice completamente assemblata con vassoio e spingi-alimenti.
- Non utilizzare alcun apparecchio con un cavo o una spina danneggiati, dopo che l'apparecchio non funziona correttamente o è caduto o è danneggiato in in alcun modo. Non effettuare la manutenzione di questo prodotto in modo diverso da quanto indicato in questo manuale.
- L'uso di accessori non consigliati o venduti da produttore potrebbe causare lesioni.
- Non utilizzare all'aperto.
- Non lasciare che il cavo penda dal bordo del tavolo o del piano di lavoro o tocchi superfici calde, compresi i fornelli. Non utilizzare prolunghe.
- Non utilizzare l'apparecchio per scopi diversi da quelli previsti. La lama è affilata. Maneggiare con cura durante la pulizia.
- L'interruttore di sicurezza impedisce l'azionamento accidentale dell'apparecchio. Non disattivare o bypassare l'interruttore di sicurezza.
- L'apparecchio non deve essere utilizzato per tagliare cibi congelati o ossa.
- Utilizzare l'apparecchio solo se la lama è correttamente bloccata e/o serrato.
- Tagliare sempre gli alimenti con l'affettatrice completamente montata .

QUESTA UNITÀ È SOLO PER USO DOMESTICO

Questo prodotto non è destinato all'uso commerciale. Non contiene parti riparabili dall'utente. Non tentare di riparare questo prodotto.

SPINA POLARIZZATA



Questo apparecchio ha una spina polarizzata (una lama è più largo dell'altro). Come misura di sicurezza per ridurre il rischio di scosse elettriche, questa spina è progettato per adattarsi a una presa polarizzata solo in un modo. Se la spina non si adatta completamente alla presa, invertirla la spina. Se ancora non si adatta, contattare un tecnico qualificato elettricista. Non tentare di aggirare questa sicurezza non modificare in alcun modo la spina. Se la spina si adatta in modo lasco la presa CA o se la presa CA è calda non utilizzarla.

CONSERVARE QUESTE ISTRUZIONI

NON IMMERGERE IL CAVO IN ACQUA O QUALSIASI ALTRO LIQUIDO!

SICUREZZA ISTRUZIONI

- Se si ignorano le istruzioni di sicurezza, il produttore non può essere ritenuto responsabile per eventuali danni.
- Se il cavo di alimentazione è danneggiato, deve essere sostituito dal produttore il suo agente di servizio, o persone qualificate in modo analogo al fine di evitare un pericolo.
- Non utilizzare questo apparecchio con un cavo o una spina danneggiati o quando l'apparecchio presenta malfunzionamenti o è stato danneggiato in qualsiasi modo. Per evitare un pericolo, assicurarsi che un cavo o una spina danneggiati vengano sostituiti da un riparatore competente e qualificato assistenza. Non riparare questo apparecchio da soli.
- Non spostare mai l'apparecchio tirando il cavo e assicurarsi che il cavo non possa impigliarsi.
- L'apparecchio deve essere posizionato su una superficie stabile e piana.
- Questo apparecchio deve essere utilizzato solo per scopi domestici e

solo per lo scopo per cui è stato progettato.

- L'apparecchio può essere utilizzato da bambini di età pari o superiore a 8 anni e da persone con ridotte capacità motorie, capacità fisiche, sensoriali o mentali o mancanza di esperienza e conoscenza se sono sotto supervisione e hanno ricevuto istruzioni riguardanti l'uso dell'apparecchio in modo sicuro e comprendere i pericoli coinvolti. I bambini devono non giocare con l'apparecchio. La pulizia e la manutenzione da parte dell'utente non devono essere eseguite dai bambini a meno che non abbiano più di 8 anni e supervisionato.
- Per proteggersi da scosse elettriche, non immergere il cavo, la spina o l'apparecchio in acqua o altri liquidi.
- Spegnerlo l'apparecchio e staccare la spina dalla presa di corrente prima di cambiare gli accessori o di maneggiare parti che si muovono durante l'uso.
- Scollegare sempre il dispositivo se lasciato incustodito e Prima assemblaggio, smontaggio, o pulizia.
- Non permettere ai bambini di utilizzare il dispositivo senza supervisione.
- Questo apparecchio deve essere utilizzato con il tavolo di alimentazione scorrevole e il portapezzi in posizione, a meno che ciò non sia possibile a causa delle dimensioni o della forma degli alimenti.
- Per evitare incidenti come inciampi o cadute, posizionare il cavo in una posizione sicura.
- Se si utilizza una prolunga, la sua capacità deve essere adeguata al consumo energetico dell'apparecchio .
- Non utilizzare l'apparecchio con le mani bagnate o stando in piedi su un pavimento bagnato. Non toccare l'apparecchio. spina di alimentazione con le mani bagnate.
- Non aprire in nessun caso l'alloggiamento dell'apparecchio . Non inserire oggetti estranei all'interno dell'alloggiamento.
- Non utilizzare mai accessori non raccomandati dal produttore. Potrebbero rappresentare un rischio per la sicurezza. rischio per l'utente e potrebbe danneggiare l'apparecchio. Utilizzare solo ricambi e accessori originali.

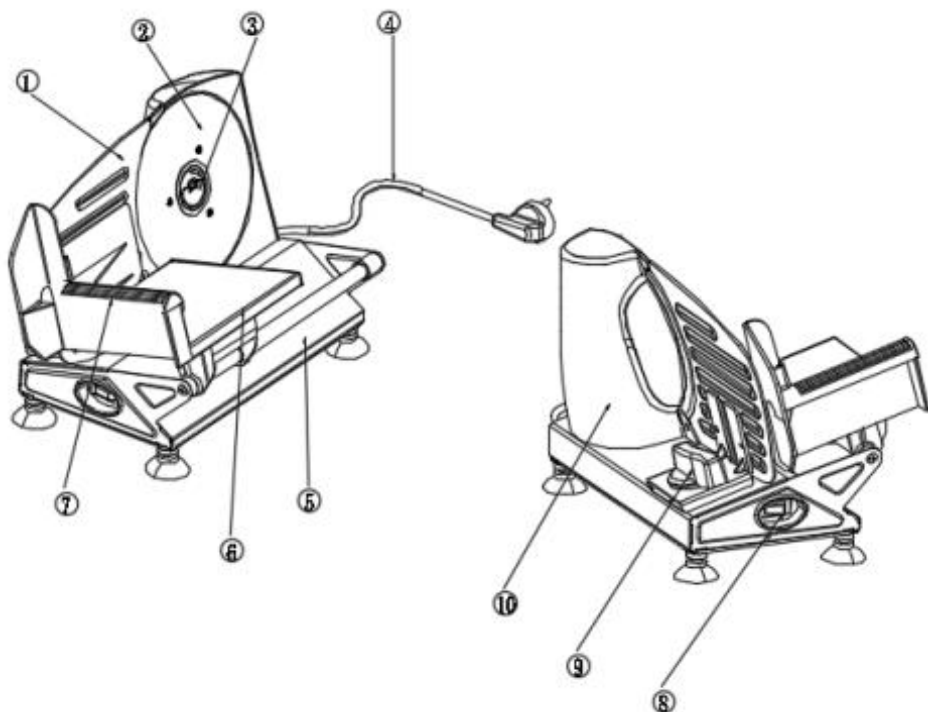
- Tenere l'apparecchio lontano da superfici calde e fiamme libere. Utilizzare sempre l'apparecchio su una superficie piana, stabile, pulita e asciutta superficie. Proteggere l'apparecchio dal calore, polvere, luce solare diretta, umidità, gocce , e spruzzi d'acqua.
- Non posizionare oggetti pesanti sopra il apparecchio. Non posizionare oggetti con fiamme libere, ad esempio candele, sopra o accanto all'apparecchio. Non posizionare oggetti pieni d'acqua, egvasi, sull'apparecchio o nelle sue vicinanze.
- Non tirare il cavo di alimentazione per staccare la spina dalla presa elettrica e non avvolgere il cavo di alimentazione attorno all'apparecchio.
- Scollegare l'apparecchio dalla presa elettrica quando non in uso e prima della pulizia.
- Spegnerne l'apparecchio prima di cambiare accessori o movimentazione parti che si muovono durante utilizzo.
- Se l'apparecchio dovesse surriscaldarsi, interrompere l'uso dell'apparecchio e staccare la spina dalla presa elettrica.
- Non andartene mai lasciare l'apparecchio incustodito durante l'uso.
- Asciugare l'apparecchio e tutto accessori prima di collegare l'apparecchio all'alimentazione elettrica e prima di fissare gli accessori.
- Spegnerne sempre l'apparecchio prima di scollegare la spina di alimentazione.
- Pulire accuratamente l'apparecchio prima di utilizzarlo.
- Durante l'operazione tenere le mani, i capelli indumenti e utensili lontano dalla lama di taglio per evitare lesioni e danni all'apparecchio.
- L'apparecchio è destinato solo all'uso a breve termine operazione. Dopo un tempo di funzionamento di 5 minuti lasciare Esso lasciare raffreddare per almeno 30 minuti. Non sovraccaricare il

SPECIFICHE

Modello	SL-517 / SL517
Potenza nominale	150W
Ingresso nominale	CA 120 V 60 Hz

PARTI DESCRIZIONE

1	Piastra di supporto
2	Lama
3	Vite di bloccaggio della lama
4	Cavo di alimentazione
5	Montaggio di base
6	Trasporto di cibo
7	Protezione per affettare
8	Interruttore on/off
9	Manopola di regolazione dello spessore
10	Gruppo motore



Estrarre l'apparecchio e gli accessori dalla scatola. Rimuovere gli adesivi, la pellicola protettiva o la plastica da IL dispositivo.

Controllare la presenza di tutte le parti e per danni dovuti al trasporto. In caso di danni o consegna incompleta , contattare il rivenditore.

Inserire il cavo di alimentazione nella presa. (**Nota:** assicurarsi che la tensione indicata sul dispositivo corrisponda alla tensione locale prima di collegare il dispositivo. Tensione AC220-240V 50/ 60Hz (AC 120V 60Hz) 150W.

Prima di utilizzare l'apparecchio per la prima volta, pulire tutti i parti rimovibili con un panno umido. Non utilizzare mai prodotti abrasivi.

Pulire l'intero apparecchio (vedere la sezione pulizia).

Posto IL apparecchio SU UN Asciutto, Piatto, E superficie stabile.

Esercitare una pressione verso il basso sull'apparecchio in modo che i piedini a ventosa (7) aderiscano bene.

PRIMA IL PRIMO UTILIZZO

Utilizzare il pulsante di impostazione per scegliere la larghezza di taglio desiderata.

IL taglio larghezza È regolabile da 1 A 15 mm. Far scorrere la culla verso sinistra e posizionare il cibo sulla culla.

Posizionare il supporto sulla culla; utilizzare questo supporto per spingere leggermente il cibo contro il coperchio posteriore.

Attivare il dispositivo utilizzando l'interruttore on/off che si trova sul lato sinistro del dispositivo.

NOTA: Questo apparecchio è dotato di un dispositivo di sicurezza te stesso quindi premi contemporaneamente il tasto on/off interruttore e l'apparecchio inizio. Spingendo il interruttore (A), portare prima l'interruttore di sicurezza verso premendo nuovamente l'interruttore on/off l'apparecchio si fermerà.

ATTENZIONE! Non toccare la lama, la lama è molto affilato e può causare gravi lesioni.

lama rotante. Raccogliere il cibo affettato nella parte posteriore dell'apparecchio.

ATTENZIONE! Non utilizzare mai il dispositivo senza la attenzione, potresti farti male seriamente.

. Dopo 5 minuti di utilizzo continuato, spegnere il dispositivo e lasciarlo raffreddare , per evitare il surriscaldamento del motore.

PULIZIA E MANUTENZIONE

Scollegare l'apparecchio e lasciarlo raffreddare. Utilizzare un panno morbido e leggermente umido per pulire le superfici dell'apparecchio.

Evitare che acqua o altri liquidi penetrino nell'unità.

Prima di rimuovere le lame, scollegare l'alimentazione tappo.

ATTENZIONE! Non toccare mai i bordi delle lame! Assicurarsi che il coltello da taglio rimosso non possa rotolare fuori dal tavolo!

Ora puoi pulire la lama con acqua saponata; la lama è anche lavabile in lavastoviglie.

Per rimettere la lama di taglio in posizione, assicurarsi che le linguette sulla lama corrispondano al apparecchio e montare la lama, bloccare la lama ruotando il fermo in senso antiorario.

PULIZIA DEL TIRANTE E DELLA PROTEZIONE DELLA LAMA

Per smontare il tirante e la protezione della lama: sul lato destro del tirante, troverai uno sportello, fai scorrere questo sportello verso destra ora puoi estrarre il asta e sarai in grado di pulire queste parti.

AVVERTIMENTO!

I materiali di imballaggio non sono giocattoli. I bambini non devono giocare con i materiali di imballaggio. poiché comportano il rischio di ingestione e soffocamento!

UTILIZZO

Utilizzare il pulsante di impostazione per scegliere l'impostazione desiderata larghezza di taglio.

La larghezza di taglio è regolabile da 1 a 15 mm. Far scorrere la culla verso sinistra e posizionare il cibo su la culla.

Posizionare il supporto sulla culla; utilizzare questo supporto per spingere leggermente il cibo contro il coperchio posteriore.

Attivare il dispositivo utilizzando l'interruttore on/off che si trova sul lato sinistro del dispositivo.

NOTA: Questo apparecchio è dotato di un dispositivo di sicurezza interruttore (A), portare prima l'interruttore di sicurezza verso te stesso quindi premi contemporaneamente il tasto on/off interruttore e l'apparecchio si avvia. Spingendo il premendo nuovamente l'interruttore on/off l'apparecchio si fermerà.

ATTENZIONE! Non toccare la lama, la lama è molto affilato e può causare gravi lesioni .

Far scorrere lentamente il vassoio verso destra contro il lama rotante.

Cattura il cibo affettato sul retro della il dispositivo.

ATTENZIONE! Non utilizzare mai il dispositivo senza la attenzione, potresti farti male seriamente.

SI PREGA DI NOTARE CHE:

Questo apparecchio è adatto solo per affettare cibo, ad esempio carni , formaggi, frutta, verdure, pane, ecc. cibo da essere affettato deve essere scongelato, disimballato e disossato prima di poter essere affettato con il apparecchio. Non utilizzarlo per affettare alimenti congelati cibo, ossa, o per qualsiasi altro scopo.

Questo apparecchio è adatto solo per l'uso domestico privato e non è progettato per scopi commerciali.

Questo apparecchio è destinato esclusivamente all'uso in ambienti interni asciutti. Non utilizzare l'apparecchio all'aperto.

ARROSTI PICCANTI DI MANZO, MAIALE, AGNELLO, TACCHINO, PROSCIUTTO

Quando si affettano arrosti disossati, rimuoverli dal forno e lasciare raffreddare per 15-20 minuti prima

Se necessario, tagliate l'arrosto per adattarlo alla piattaforma. Posizionate un foglio di alluminio sotto il tavolo della piattaforma per raccogliere succhi e briciole, così da pulire facilmente (e viziarsi con i pezzi migliori).

Per arrosti arrotolati o legati, rimuovere i fili uno alla volta man mano che si avvicinano alla lama (assicurarsi che l'apparecchio sia spento).

FORMAGGIO

Tagliare a fette ben strette raffreddato.

servire, lasciare che il formaggio raggiunga lo spazio temperatura. Ciò esalterà il sapore naturale. Alcuni formaggi fusi potrebbero attaccarsi alla lama.

Quando necessario, spegnere l'apparecchio, attendere che la lama smetta di girare e staccare la spina. Pulire la lama con un panno umido , poiché l'umidità aiuta a evitare che si attacchi.

PANCETTA POSTERIORE

Lasciare raffreddare completamente prima di affettare. Per alcuni tipi di

pancetta affumicata è necessario rimuovere il grasso.

SALUMI E CARNE PER PANINI

I salumi di carne saranno durerà più a lungo e sarà mantengono il sapore più a lungo se affettati al momento del bisogno.

Per ottenere risultati ottimali, lasciar raffreddare prima.

Rimuovere eventuali involucri di plastica o rigidi prima di affettare.

Esercitare una pressione costante e delicata per ottenere fette uniformi.

FRUTTA E VERDURA

Tagliare le patate a fette per ottenere patatine spesse o sottili.

Tagliare le carote nel senso della lunghezza a striscioline molto sottili.

Immergerle in acqua ghiacciata per arricciarle. Tagliare le zucchine a fette, melanzana, e zucca.

PANCETTA POSTERIORE

Freddo accuratamente prima di affettare. Alcuni tipi di affumicato la pancetta dovrebbe essere priva di grasso.

Salumi e carne per panini

I salumi di carne saranno durerà più a lungo e sarà mantengono il sapore più a lungo se affettati al momento del bisogno.

Per ottenere risultati ottimali, lasciar raffreddare prima. Rimuovere eventuali involucri di plastica o rigidi prima di affettare. Esercitare una pressione costante e delicata per ottenere fette uniformi.

FRUTTA E VERDURA

Tagliare le patate a fette per ottenere patatine spesse o sottili.

Tagliare le carote nel senso della lunghezza a striscioline molto sottili.

Immergerle in acqua ghiacciata per farle arricciare.

Tagliare le zucchine a fette, melanzana, e zucca.

PULIZIA E MANUTENZIONE

Scollegare l'apparecchio e lasciarlo raffreddare. Utilizzare un panno morbido e leggermente umido per pulire l'apparecchio superficiali. Non lasciare che acqua o altri liquidi penetrino nell'unità.

RIMUOVERE LA LAMA DI TAGLIO

Prima di rimuovere il lame, scollegare la spina di alimentazione.

ATTENZIONE! Non toccare mai i bordi delle lame! Assicurarsi che il coltello da taglio rimosso non possa rotolare fuori dal tavolo! Tenere i bambini a distanza di sicurezza! Per rimuovere la lama di taglio. Premere il pulsante 'push' pulsante' al centro della lama tagliente, un chiavistello Volere uscire; girare il fermo in senso orario per sbloccare la lama tagliente.

Ora puoi pulire la lama con acqua saponata; la lama è anche lavabile in lavastoviglie.

Per rimettere la lama di taglio in posizione, assicurarsi che le linguette sulla lama corrispondano al apparecchio e montare la lama, bloccare la lama ruotando il fermo in senso antiorario

PULIZIA DEL TIRANTE E DELLA PROTEZIONE DELLA LAMA

Per smontare il tirante e la lama guardia: Sul lato destro del tirante, troverai trovare un portello, fai scorrere questo portello verso destra ora puoi estrarre l'asta e potrai pulire queste parti.

PARTI	COME PULIRE LORO ?
Portavivande	Rimuovere e pulire con acqua saponata. Sciacquare sotto l'acqua corrente e asciugare accuratamente.
piattaforma scorrevole	Pulire con un panno morbido inumidito con un po' di detersivo per piatti detersivo liquido.
Scorrevole guida alimentare	Pulire con un panno pulito e asciugare accuratamente. Non immergere in acqua o altri

	liquidi!
--	----------

CONSERVAZIONE E SMALTIMENTO

MAGAZZINAGGIO:

Conservare l'apparecchio in un luogo fresco, asciutto e pulito, fuori dalla portata dei bambini e degli animali domestici.

Si prega di conservare l'imballaggio per il trasporto del apparecchio o per riporre l'apparecchio quando non viene utilizzato per un periodo di tempo prolungato.

SMALTIMENTO DEL PRODOTTO:

Questo prodotto non può essere smaltito con i normali rifiuti domestici, in quanto apparecchiature elettriche ed elettroniche i rifiuti devono essere smaltiti separatamente.



VEVOR

Affordable. Reliable. Home Improvement.

CORTADORA DE ALIMENTOS

Modelo: SL-517 / SL517

VEVOR

Affordable. Reliable. Home Improvement.

FOOD SLICER

Modelo: SL-517 / SL517






Estas son las instrucciones originales; lea atentamente todas las instrucciones del manual antes de utilizarlo. VEVOR se reserva el derecho de interpretar este manual de usuario. La apariencia del producto dependerá del producto que haya recibido. Le rogamos que nos disculpe si no le informamos de nuevo si hay actualizaciones tecnológicas o de software en nuestro producto.

MEDIDAS DE SEGURIDAD IMPORTANTES



Advertencia: Para reducir el riesgo de lesiones, el usuario debe leer atentamente el manual de instrucciones.

	<p>Mantenga a los niños alejados de la máquina por temor a peligros.</p>
	<p>Advertencia: solo para uso en interiores</p>
	<p>ELIMINACIÓN CORRECTA</p> <p>Este producto está sujeto a las disposiciones de la Directiva europea 2012/19/UE. El símbolo de un contenedor de basura tachado indica que el producto requiere recogida selectiva de residuos en la Unión Europea. Esto aplica al producto y a todos los accesorios marcados con este símbolo. Los productos marcados con este símbolo no pueden desecharse con la basura doméstica normal, sino que deben llevarse a un punto de recogida para el reciclaje de aparatos eléctricos y electrónicos.</p>

SALVAGUARDIAS IMPORTANTES

Al utilizar aparatos eléctricos, se deben tomar precauciones básicas de seguridad. deben seguirse siempre, incluyendo lo siguiente:

LEA Y GUARDE ESTOS INSTRUCCIONES

- Lea todas las instrucciones antes de usar.
- Para protegerse contra el riesgo de descarga eléctrica, no coloque la unidad de alimentación en agua u otro líquido.
- Es necesaria una supervisión estrecha cuando se utiliza cualquier aparato por o cerca de niños. Los niños no deben utilizar este aparato.
- Coloque el interruptor de encendido/apagado en la posición "OFF" y retire el enchufe del cable. de la toma de corriente cuando no esté en uso, antes de ponérselo o quitárselo. Desconecte las piezas y antes de limpiarlas. No tire del cable de alimentación.

- Evite tocar las piezas móviles. Nunca alimente con la mano. Siempre Utilice la cortadora completamente ensamblada con bandeja para alimentos y empujador de alimentos.
- No utilice ningún aparato con un cable o enchufe dañado, después de que el aparato haya funcionado mal o se haya caído o dañado. de ninguna manera. No realice ningún mantenimiento a este producto de otra manera que no sea la indicada en este manual. manual.
- El uso de accesorios no recomendados o vendidos por El fabricante puede provocar lesiones.
- No utilizar en exteriores.
- No deje que el cable cuelgue del borde de la mesa o la encimera, ni que toque superficies calientes, incluida la estufa. No utilice un cable alargador.
- No utilice el aparato para ningún otro fin que no sea el previsto. La cuchilla está afilada. Manéjelo con cuidado al limpiarlo.
- El interruptor de seguridad evita el funcionamiento accidental del aparato. No anule ni evite el interruptor de seguridad.
- El aparato no debe utilizarse para cortar alimentos congelados ni huesos.
- Utilice el aparato únicamente si la cuchilla está correctamente bloqueada y/o apretado.
- Corte siempre los alimentos con la cortadora completamente ensamblada .

ESTA UNIDAD ES SOLO PARA USO DOMÉSTICO

Este producto no está diseñado para uso comercial. No contiene piezas que el usuario pueda reparar. No intente reparar este producto.

ENCHUFE POLARIZADO



Este aparato tiene un enchufe polarizado (una

clavija) es más ancho que el otro). Como medida de seguridad para Para reducir el riesgo de descarga eléctrica, este enchufe es Diseñado para encajar en un tomacorriente polarizado de una sola manera. Si el enchufe no encaja completamente en el tomacorriente, inviértalo. el enchufe. Si aún así no encaja, contacte a un técnico cualificado. electricista. No intente anular este mecanismo de seguridad. No modifique el enchufe de ninguna manera. Si el enchufe encaja de forma suelta en la toma de CA o si la toma de CA se siente caliente, no utilice esa toma.

GUARDE ESTAS INSTRUCCIONES

NO SUMERJA EL CABLE EN AGUA NI ¡CUALQUIER OTRO LÍQUIDO!

SEGURIDAD INSTRUCCIONES

- Si ignora las instrucciones de seguridad, el fabricante no se hace responsable de los daños.
- Si el cable de alimentación está dañado, debe reemplazado por el fabricante su agente de servicios, o personas igualmente cualificadas para evitar una peligro.
- No utilice este aparato con un cable o enchufe dañado o cuando el aparato presente fallas o haya sido dañado de cualquier manera. Para evitar un Peligro , asegúrese de que un cable o enchufe dañado sea reemplazado por un técnico de reparación competente y calificado. Servicio.No repare este aparato usted mismo.
- Nunca mueva el aparato tirando del cable. y asegúrese de que el cable no pueda enredarse.
- El aparato debe colocarse sobre una superficie estable y nivelada.
- Este aparato sólo debe utilizarse para fines domésticos y únicamente para el fin previsto.
- El aparato puede ser utilizado por niños a partir de 8 años y personas con discapacidad. capacidades físicas, sensoriales o mentales o falta de ellas Experiencia y conocimientos si están bajo supervisión y se les han dado instrucciones sobre el uso del aparato de forma segura y comprender los peligros involucrados. Los niños deben

No juegue con el aparato. La limpieza y el mantenimiento del usuario no deben ser realizados por niños. a menos que tengan más de 8 años y supervisado.

- Para protegerse contra descargas eléctricas, no sumerja el cable, el enchufe ni el aparato en agua ni en ningún otro líquido.
- Apague el aparato y desenchúfelo de la fuente de alimentación antes de cambiar accesorios o manipular piezas que se mueven durante el uso.
- Desenchufe siempre el dispositivo si lo deja desatendido y antes montaje, desmontaje, o limpieza.
- No permita que los niños utilicen el dispositivo sin supervisión.
- Este aparato debe utilizarse con la mesa de alimentación deslizante y el portapiezas en posición, a menos que esto no sea posible debido al tamaño o la forma de los alimentos.
- Evite accidentes como tropiezos o caídas colocando el cable en una posición segura.
- Si se utiliza un cable de extensión, su capacidad debe ser adecuada al consumo de energía del aparato .
- No opere el aparato con las manos mojadas o mientras esté parado sobre un piso mojado. No toque el enchufe de alimentación con las manos mojadas.
- No abra la carcasa del aparato bajo ninguna circunstancia . No introduzca ningún objeto extraño en el interior de la carcasa.
- Nunca utilice accesorios que no estén recomendados por el fabricante. Podrían suponer un riesgo para la seguridad. riesgo para el usuario y podría dañar el aparato. Utilice únicamente piezas y accesorios originales.
- Mantenga el aparato alejado de superficies calientes y llamas abiertas. Utilice siempre el aparato en un lugar nivelado, estable, limpio y seco. superficie. Proteja el aparato del calor, polvo, luz solar directa, humedad, gotea , y salpicaduras de agua.
- No coloque objetos pesados encima del aparato. No colocar objetos con llamas abiertas, por ejemplo velas, encima o al lado del aparato. No coloque objetos llenos de agua, jarrones de huevo, sobre o cerca del aparato.

- No tire del cable de alimentación para quitar el enchufe de la toma eléctrica y no enrolle el cable de alimentación alrededor del aparato.
- Desconecte el aparato de la toma de corriente eléctrica. cuando no esté en uso y antes de limpiarlo.
- Apague el aparato antes de cambiarlo. accesorios o manipulación partes que se mueven durante usar.
- Si el aparato se sobrecalienta, deje de utilizar el aparato y desconéctelo de la toma eléctrica.
- Nunca te vayas el aparato desatendido durante su uso.
- Seque el aparato y todo accesorios antes de conectarlos a la fuente de alimentación y antes de colocar los accesorios.
- Apague siempre el aparato antes de desconectar el enchufe de alimentación.
- Limpie bien el aparato antes de utilizarlo.
- Durante la operación, mantenga las manos y el cabello Mantenga la ropa y los utensilios alejados de la cuchilla de corte para evitar lesiones y daños al aparato.
- El aparato está destinado únicamente para uso a corto plazo. operación. Después de un tiempo de operación de 5 minutos, dejar él Dejar enfriar durante al menos 30 minutos. No sobrecargue el

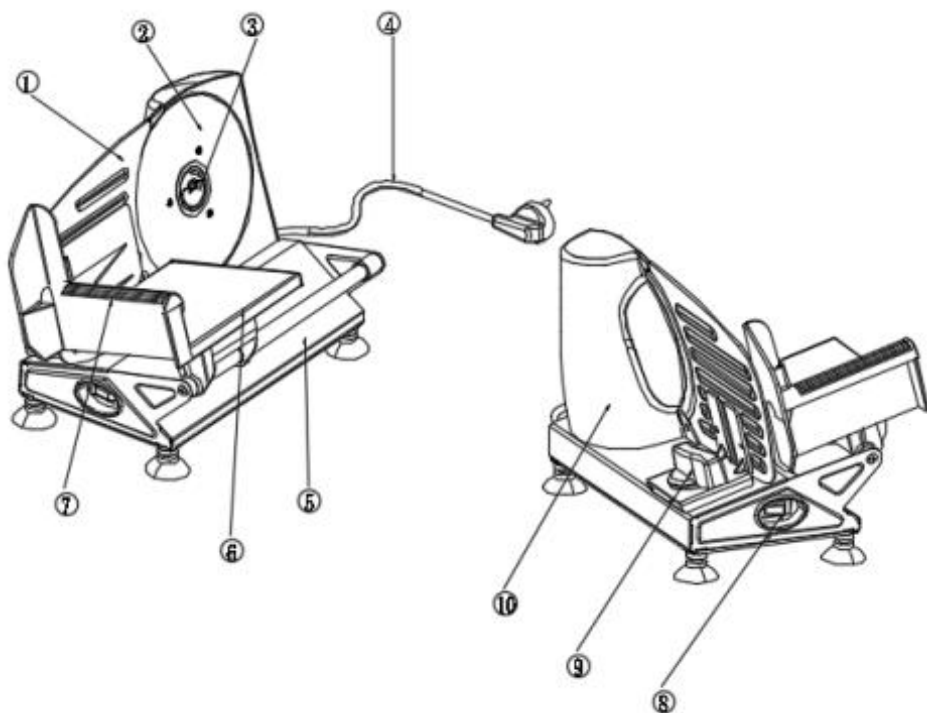
ESPECIFICACIÓN

Modelo	SL-517 / SL517
Potencia nominal	150 W
Entrada nominal	CA 120 V 60 Hz 220-240 V 50/60 Hz

REGIONES DESCRIPCIÓN

1	Placa de soporte
---	------------------

2	Cuchilla
3	Tornillo de bloqueo de la hoja
4	Cable de alimentación
5	Conjunto de base
6	Transporte de alimentos
7	Protector de corte
8	Interruptor de encendido/apagado
9	Perilla de ajuste de espesor
10	Conjunto de motor



Saque el aparato y los accesorios de la caja. Retire las pegatinas, la lámina protectora o el plástico de el dispositivo.

Verifique la presencia de todas las piezas y Daños de transporte. En caso de daños o entrega incompleta , póngase en contacto con su distribuidor. Conecte el cable de alimentación a la toma de corriente. (**Nota:** Asegúrese de que el voltaje indicado en el dispositivo coincida con el voltaje local antes de conectar el dispositivo. Voltaje CA 220-240 V 50/60 Hz (CA 120 V) 60Hz) 150W.

Antes de utilizar el aparato por primera vez, limpie todos los partes desmontables con un paño húmedo. Nunca utilice productos abrasivos.

Limpie todo el aparato (consulte la sección de limpieza).

Lugar el aparato en a seco, departamento, y superficie estable.

Aplique presión hacia abajo sobre el aparato para que las ventosas (7) tengan un buen agarre.

ANTES EL ESTRENO

Utilice el botón de configuración para elegir el ancho de corte deseado.

El corte ancho es ajustable de 1 a 15 mm. Deslice la base hacia la izquierda y coloque el alimento sobre ella.

Coloque el soporte en la base; utilice este soporte para Empuje la comida ligeramente contra la cubierta posterior.

Active el dispositivo utilizando el interruptor de encendido/apagado que se encuentra en el lado izquierdo del dispositivo.

NOTA: Este aparato está equipado con un dispositivo de seguridad. Luego, presione simultáneamente el botón de encendido/apagado.

cambia y el aparato se encenderá Empezar. Empujando el interruptor (A), primero lleve el interruptor de seguridad hacia interruptor de encendido/apagado nuevamente y el aparato se detendrá.

¡ADVERTENCIA! No toque la cuchilla, la cuchilla está muy afilados y pueden causar lesiones graves.

cuchilla giratoria Recoja los alimentos cortados en la parte posterior del dispositivo.

¡ADVERTENCIA! Nunca utilice el dispositivo sin el Guardia, puedes lesionarte gravemente.

Al apagar el dispositivo, la cuchilla sigue girando durante un rato, por lo

que no la toque. Después de 5 minutos de uso continuo, apague el dispositivo y déjelo enfriar para evitar el sobrecalentamiento del motor.

LIMPIEZA Y MANTENIMIENTO

Desenchufe el aparato y deje que se enfríe. Utilice un paño suave y ligeramente húmedo para limpiar las superficies del aparato. No permita que entre agua ni ningún otro líquido en la unidad.

Antes de retirar las cuchillas, desconecte la alimentación. enchufar.

¡ADVERTENCIA! ¡Nunca toque los bordes de las cuchillas! Asegúrese de que la cuchilla de corte extraída no pueda rodar. ¡Fuera de la mesa!

Ahora puedes limpiar la cuchilla con agua jabonosa, la cuchilla también es apta para lavavajillas.

Para volver a colocar la cuchilla de corte en su posición, asegúrese de que las pestañas de la cuchilla coincidan con las aparato y coloque la cuchilla, bloquee la cuchilla girando el pestillo en sentido antihorario.

LIMPIEZA DE LA BARRA DE ACOPLAMIENTO Y LA PROTECCIÓN DE LA HOJA

Para desmontar la barra de acoplamiento y el protector de la cuchilla: En el lado derecho de la barra de acoplamiento, encontrará una escotilla, deslice esta escotilla hacia la derecha, ahora puede sacar la varilla y podrás limpiar estas partes.

¡ADVERTENCIA!

Los materiales de embalaje no son juguetes. Los niños no deben jugar con ellos. ¡ya que suponen un riesgo de ingestión y asfixia!

USAR

Utilice el botón de configuración para elegir el deseado Ancho de corte. El ancho de corte es ajustable de 1 a 15 mm. Deslice la base hacia la izquierda y coloque la comida sobre ella. la cuna.

Coloque el soporte en la base; utilice este soporte para Empuje la comida ligeramente contra la cubierta posterior.

Active el dispositivo utilizando el interruptor de encendido/apagado que se

encuentra en el lado izquierdo del dispositivo.

NOTA: Este aparato está equipado con un dispositivo de seguridad. interruptor (A), primero lleve el interruptor de seguridad hacia Luego, presione simultáneamente el botón de encendido/apagado. interruptor y el aparato se pondrá en marcha. Al presionar el Presione nuevamente el interruptor de encendido/ apagado y el aparato se detendrá.

¡ADVERTENCIA! No toque la cuchilla, la cuchilla está muy afilado y puede causar lesiones graves .

Deslice la bandeja lentamente hacia la derecha contra la Cuchilla giratoria. Atrapa los alimentos cortados por la parte posterior. el dispositivo.

¡ADVERTENCIA! Nunca utilice el dispositivo sin el Guardia, puedes lesionarte gravemente.

TENGA EN CUENTA QUE:

Este aparato sólo es apto para cortar en rodajas. comida, por ejemplo carnes , quesos, frutas, verduras, panes, etc. El comida para ser Las rodajas deben descongelarse, desempaquetarse y deshuesado antes de poder cortarlo con el aparato. No lo use para cortar alimentos congelados. comida, huesos, o para cualquier otro propósito.

Este aparato es apto únicamente para uso doméstico privado y no está diseñado para fines comerciales.

Este aparato está diseñado únicamente para uso en interiores secos. No utilice el aparato al aire libre.

ASADOS CALIENTES — CARNE DE RES, CERDO, CORDERO, PAVO, JAMÓN

Al cortar asados sin hueso, retírelos del horno y dejar enfriar durante 15-20 minutos antes

Si es necesario, corte el asado para que quepa en la plataforma. Coloque papel aluminio debajo de la plataforma para recoger los jugos y las migas, lo que facilita la limpieza (y le permite disfrutar de los mejores trozos).

Para asados enrollados o atados, retire los hilos uno a uno a medida que

se acercan a la cuchilla (asegúrese de que el aparato esté apagado).

QUESO

Cortar bien en rodajas enfriado.

Al servir, dejar que el queso alcance la temperatura ambiente.

Temperatura. Esto realzará el sabor natural. Algunos quesos procesados podrían pegarse a la cuchilla.

Cuando sea necesario, apague el aparato, espere a que la cuchilla deje de girar y desenchúfelo. Limpie la cuchilla con un paño húmedo , ya que la humedad evitará que se atasque.

TOCINO DE ESPALDA

Enfriar completamente antes de cortar. A algunos tipos de tocino ahumado se les debe quitar la grasa.

Embutidos y carnes para sándwiches

Los embutidos de carne se durará más y Conservan el sabor por más tiempo si se cortan cuando es necesario.

Para obtener mejores resultados, enfríe primero.

Retire cualquier plástico o envoltura dura antes de cortar. Presione con suavidad y de forma constante para obtener rebanadas uniformes.

FRUTAS Y VERDURAS

Corte las patatas en rodajas gruesas o finas.

Corta las zanahorias a lo largo en tiras muy finas. Remójalas en agua helada para que se curven. Corta el calabacín en rodajas. berenjena, y calabaza.

TOCINO DE ESPALDA

Enfriar completamente antes de cortar. Algunos tipos de ahumados Al tocino se le debe quitar la grasa.

Embutidos y carnes para sándwich

Los embutidos de carne se durará más y Conservan el sabor por más tiempo si se cortan cuando es necesario.

Para obtener mejores resultados, enfríe primero. Retire cualquier plástico o envoltura dura antes de cortar. Presione con suavidad y de forma constante para obtener rebanadas uniformes.

FRUTAS Y VERDURAS

Corte las patatas en rodajas gruesas o finas.

Corte las zanahorias a lo largo en tiras muy finas. Remójelas en agua helada para que se curven.

Cortar el calabacín en rodajas, berenjena, y calabaza.

LIMPIEZA Y MANTENIMIENTO

Desenchufe el aparato y déjelo enfriar. Utilice un paño suave y ligeramente húmedo para limpiar el aparato. superficies. No permita que entre agua ni ningún otro líquido en la unidad.

RETIRE LA CUCHILLA DE CORTE

Antes de retirar el cuchillas, desconecte el enchufe de alimentación.

¡ADVERTENCIA! ¡Nunca toque los bordes de las cuchillas! Asegúrese de que la cuchilla de corte extraída no pueda rodar. ¡Fuera de la mesa!

¡Mantenga a los niños a una distancia segura! Para quitar la cuchilla de corte, presione el botón 'push'. botón' en el medio de la cuchilla de corte, un pestillo voluntad salir; gire el pestillo en el sentido de las agujas del reloj para desbloquear la cuchilla de corte.

Ahora puedes limpiar la cuchilla con agua jabonosa, la cuchilla también es apta para lavavajillas.

Para volver a colocar la cuchilla de corte en su posición, asegúrese de que las pestañas de la cuchilla coincidan con las aparato y coloque la cuchilla, bloquee la cuchilla girando el pestillo en sentido contrario a las agujas del reloj

LIMPIEZA DE LA BARRA DE ACOPLAMIENTO Y LA PROTECCIÓN DE LA HOJA

Para desmontar la barra de acoplamiento y la cuchilla guardia: En el lado derecho de la barra de acoplamiento, verás encontrar una escotilla, Desliza esta escotilla hacia la derecha, ahora puedes sacar la varilla y podrás limpiar estas piezas.

REGIONES	CÓMO LIMPIAR A ELLOS ?
Porta alimentos	Retirar y limpiar con agua jabonosa. Enjuague bajo el agua del grifo y seque completamente.
Plataforma deslizante	Limpie con un paño suave humedecido con un poco de detergente para platos. Líquido de lavado.
Corredizo guía alimentaria	Limpie con un paño limpio y séquelo bien. No lo sumerja en agua ni en otros líquidos.

ALMACENAMIENTO Y ELIMINACIÓN

ALMACENAMIENTO:

Guarde el aparato en un lugar fresco, seco y limpio, fuera del alcance de los niños y las mascotas.

Por favor, conserve el embalaje para el transporte. aparato o para almacenar su aparato cuando no lo utilice durante un período de tiempo prolongado.

ELIMINACIÓN DEL PRODUCTO:

Este producto no se puede desechar con la basura doméstica común, ya que los aparatos eléctricos y electrónicos Los residuos deben eliminarse por separado.



VEVOR

Affordable. Reliable. Home Improvement.

KRAJALNICA DO ŻYWNOŚCI

Model: SL-517 / SL517

VEVOR

Affordable. Reliable. Home Improvement.

FOOD SLICER

Model: SL-517 / SL517






To jest oryginalna instrukcja obsługi. Przed użyciem prosimy o dokładne zapoznanie się z treścią instrukcji. Firma VEVOR zastrzega sobie prawo do jednoznacznej interpretacji niniejszej instrukcji obsługi. Wygląd produktu zależy od stanu, w jakim go otrzymali Państwo. Prosimy o wyrozumiałość, ale nie będziemy Państwa ponownie informować o aktualizacjach technologicznych lub oprogramowania naszego produktu.

WAŻNE ZABEZPIECZENIA



Ostrzeżenie: Aby zminimalizować ryzyko obrażeń, użytkownik powinien uważnie przeczytać instrukcję obsługi.

	<p>Trzymaj dzieci z dala od urządzenia, aby nie stwarzały zagrożenia.</p>
	<p>Ostrzeżenie – wyłącznie do użytku wewnątrz pomieszczeń</p>
	<p>PRAWIDŁOWA UTYLIZACJA</p> <p>Niniejszy produkt podlega przepisom dyrektywy europejskiej 2012/19/UE. Symbol przekreślonego kosza na śmieci na kółkach oznacza, że produkt wymaga selektywnej zbiórki odpadów w Unii Europejskiej. Dotyczy to produktu i wszystkich akcesoriów oznaczonych tym symbolem. Produktów oznaczonych tym symbolem nie wolno wyrzucać razem z normalnymi odpadami domowymi, lecz należy je oddać do punktu zbiórki urządzeń elektrycznych i elektronicznych przeznaczonych do recyklingu.</p>

WAŻNE ZABEZPIECZENIA

Podczas korzystania z urządzeń elektrycznych należy zachować podstawowe środki ostrożności należy zawsze przestrzegać, w tym następujących zasad:

PRZECZYTAJ I ZACHOWAJ TO INSTRUKCJE

- Przed użyciem należy przeczytać wszystkie instrukcje.
- Aby uniknąć ryzyka porażenia prądem elektrycznym, nie należy umieszczać zasilacza w wodzie lub innym płynie.
- W przypadku korzystania z jakiegokolwiek urządzenia przez osobę trzecią lub w pobliżu dzieci. Dzieci nie powinny używać tego urządzenia.
- Ustaw przełącznik w pozycji „WYŁ.” i wyjmij wtyczkę przewodu. odłącz od gniazdka elektrycznego, gdy nie jest używany, przed założeniem lub zabranie Wyłącz części i przed czyszczeniem. Nie ciągnij za przewód

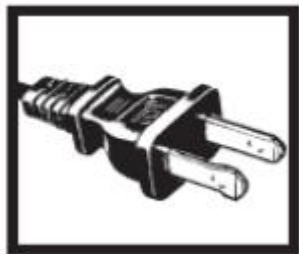
zasilający.

- Unikaj kontaktu z ruchomymi częściami. Nigdy nie podawaj jedzenia ręcznie. Zawsze użyj całkowicie zmontowanej krawalnicy z tacką na żywność i popychaczem do żywności.
- Nie należy używać żadnego urządzenia z uszkodzonym przewodem lub wtyczką, po awarii urządzenia lub jego upadku lub uszkodzeniu. W żaden sposób. Nie serwisuj tego produktu w sposób inny niż opisany w niniejszej instrukcji. podręcznik.
- Stosowanie akcesoriów, które nie są zalecane lub sprzedawane przez producenta może spowodować obrażenia.
- Nie stosować na zewnątrz.
- Nie pozwól, aby przewód zwisał z krawędzi stołu lub blatu, ani nie dotykał gorących powierzchni, w tym kuchenki. Nie używaj przedłużacza.
- Nie używaj urządzenia niezgodnie z przeznaczeniem. Ostrze jest ostre. Zachowaj ostrożność podczas czyszczenia.
- Wyłącznik bezpieczeństwa zapobiega przypadkowemu uruchomieniu urządzenia. Nie należy omijać ani omijać wyłącznika bezpieczeństwa.
- Urządzenia nie należy używać do krojenia mrożonek i kości.
- Używaj urządzenia tylko wtedy, gdy ostrze jest prawidłowo zablokowane i/lub zaciśnięte.
- Zawsze kroj żywność przy użyciu całkowicie zmontowanej krawalnicy .

TO URZĄDZENIE JEST PRZEZNACZONE WYŁĄCZNIE DO UŻYTKU DOMOWEGO

Ten produkt nie jest przeznaczony do użytku komercyjnego. Wewnątrz nie ma części, które mogłyby zostać naprawione przez użytkownika. Nie należy podejmować prób naprawy tego produktu.

WTYCZKA POLARYZOWANA



To urządzenie ma wtyczkę spolaryzowaną (jeden bolec jest szerszy od drugiego). Jako element bezpieczeństwa aby zmniejszyć ryzyko porażenia prądem, ta wtyczka jest przeznaczony do podłączenia do gniazdka spolaryzowanego tylko w jeden sposób. Jeśli wtyczka nie pasuje całkowicie do gniazdka, należy ją odwrócić wtyczka. Jeśli nadal nie pasuje, skontaktuj się z wykwalifikowanym elektryk. Nie próbuj obejść tego zabezpieczenia nie modyfikować ani nie modyfikować wtyczki w żaden sposób. Jeżeli wtyczka luźno pasuje do gniazdka prądu zmiennego lub jeśli gniazdko jest ciepłe, nie należy z niego korzystać.

ZACHOWAJ TE INSTRUKCJE

NIE ZANURZAJ PRZEWODU W WODZIE ANI JAKIKOLWIEK INNY PŁYN!

BEZPIECZEŃSTWO INSTRUKCJE

- Producent nie ponosi odpowiedzialności za szkody powstałe w wyniku zignorowania instrukcji bezpieczeństwa.
- Jeżeli przewód zasilający jest uszkodzony, należy go wymienić. zastąpiony przez producenta jego agent serwisowy lub podobnie wykwalifikowanych osób, aby uniknąć zaryzykować.
- Nie używaj tego urządzenia, jeśli przewód lub wtyczka są uszkodzone lub jeśli urządzenie działa nieprawidłowo lub zostało w jakikolwiek sposób uszkodzone. Aby uniknąć zagrożenie , należy upewnić się, że uszkodzony przewód lub wtyczkę wymieni kompetentny i wykwalifikowany serwisant Serwis. Nie naprawiaj tego urządzenia samodzielnie.
- Nigdy nie przesuwaj urządzenia, ciągnąc za przewód. i upewnij się, że przewód nie zaplącze się.

- Urządzenie należy ustawić na stabilnej i równej powierzchni.
- To urządzenie należy używać wyłącznie w celach domowych i zgodnie z jego przeznaczeniem.
- Urządzenie może być używane przez dzieci w wieku od 8 lat i osoby o ograniczonej sprawności ruchowej. zdolności fizyczne, sensoryczne lub umysłowe lub ich brak doświadczenie i wiedzę, jeśli są pod nadzór i otrzymali instrukcje dotyczące bezpiecznego korzystania z urządzenia i zrozumieć związane z tym zagrożenia. Dzieci muszą nie bawić się urządzeniem. Czyszczenie i konserwacja urządzenia nie mogą być wykonywane przez dzieci chyba że mają ponad 8 lat i nadzorowany.
- Aby uchronić się przed porażeniem prądem elektrycznym, nie zanurzaj przewodu, wtyczki ani urządzenia w wodzie ani innym płynie.
- Przed wymianą akcesoriów lub dotykaniem ruchomych części urządzenia wyłącz je i odłącz od zasilania.
- Zawsze odłączaj urządzenie od zasilania, jeśli pozostawiasz je bez nadzoru. zanim złożenie, rozmontowywanie, lub czyszczenia.
- Nie należy pozwalać dzieciom na korzystanie z urządzenia bez nadzór.
- Urządzenie należy używać z zamontowanym przesuwным stołem podającym i uchwytem na kawałki, chyba że jest to niemożliwe ze względu na rozmiar lub kształt żywności.
- Aby uniknąć wypadków, takich jak potknięcia czy upadki, umieść przewód w bezpiecznym miejscu.
- W przypadku stosowania przedłużacza jego moc musi być dostosowana do poboru mocy przez urządzenie .
- Nie należy obsługiwać urządzenia mokrymi rękami lub stojąc na mokrej podłodze. Nie dotykać urządzenia. wtyczki zasilającej mokrymi rękami.
- Pod żadnym pozorem nie otwieraj obudowy urządzenia . Nie wkładaj żadnych obcych przedmiotów do wnętrza obudowy.
- Nigdy nie używaj akcesoriów, których nie zaleca producent. Mogą one stanowić zagrożenie dla bezpieczeństwa. stwarzać ryzyko dla użytkownika i może uszkodzić urządzenie. Stosuj wyłącznie oryginalne części i akcesoria.

- Trzymaj urządzenie z dala od gorących powierzchni i otwartego ognia. Zawsze używaj urządzenia na równym, stabilnym, czystym i suchym podłożu. powierzchnia. Chroń urządzenie przed ciepłem, pyłem, bezpośrednio światło słoneczne, wilgoć, kapiącą wodą, i rozpryskiwania się wody.
- Nie umieszczaj ciężkich przedmiotów na górze urządzenia. Nie umieszczać obiekty z otwartego ognia, np. świec, na urządzeniu lub obok niego. Nie umieszczaj przedmiotów wypełnionych wodą, wazony, na urządzeniu lub w jego pobliżu.
- Nie należy ciągnąć za przewód zasilający w celu wyjęcia wtyczki z gniazdka elektrycznego i nie należy owijać przewodu zasilającego wokół urządzenia.
- Odłącz urządzenie od gniazdka elektrycznego gdy nie jest używany i przed czyszczeniem.
- Przed zmianą wyłącz urządzenie. akcesoria lub obsługa części, które poruszają się podczas używania.
- Jeśli urządzenie ulegnie przegrzaniu, Przestań używać urządzenia i odłącz je od gniazdka elektrycznego.
- Nigdy nie odchodź pozostawiania urządzenia bez nadzoru podczas użytkowania.
- Wyszuszyć urządzenie i wszystkie akcesoria przed podłączeniem do zasilania i przed zamocowaniem akcesoriów.
- Zawsze wyłączaj urządzenie przed odłączeniem wtyczki zasilania.
- Przed użyciem dokładnie wyczyść urządzenie.
- Podczas operacji trzymaj ręce i włosy ubrania i naczynia z dala od ostrza tnącego, aby uniknąć obrażeń ciała i uszkodzenia urządzenia.
- Urządzenie przeznaczone jest wyłącznie do krótkotrwałego użytku działania. Po 5 minutach działania pozwól To Ostudzić przez co najmniej 30 minut. Nie przeciążaj

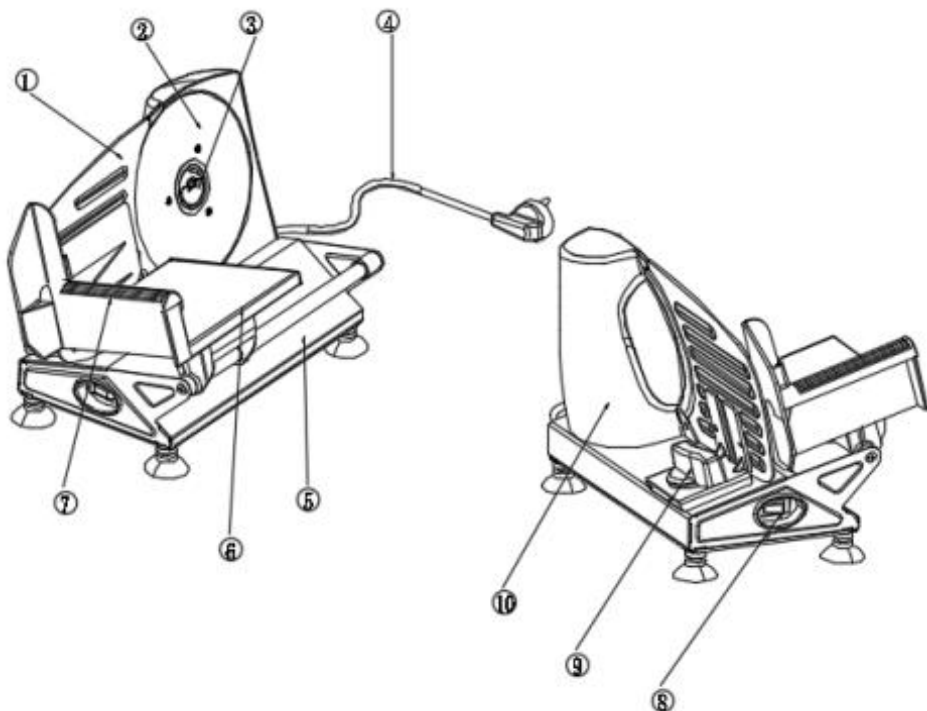
SPECYFIKACJA

Model	SL-517 / SL517
Moc znamionowa	150 W

Znamionowe wejście	Prąd zmienny 120 V 60 Hz 220-240 V 50/60 Hz
---------------------------	--

STRONY OPIS

1	Płyta podporowa
2	Ostrze
3	Śruba blokująca ostrze
4	Przewód zasilający
5	Zespół podstawy
6	Wózek z jedzeniem
7	Osłona tnąca
8	Przełącznik włączania/wyłączania
9	Pokrętło regulacji grubości
10	Zespół silnika



Wyjmij urządzenie i akcesoria z pudełka. Usuń naklejki, folię ochronną lub plastik z urządzenia. ten urządzenie.

Sprawdź obecność wszystkich części i uszkodzenia transportowe. W przypadku uszkodzeń lub niekompletnej dostawy, prosimy o kontakt ze sprzedawcą.

Podłącz przewód zasilający do gniazdka. **Uwaga:** Przed podłączeniem urządzenia należy upewnić się, że napięcie podane na urządzeniu jest zgodne z napięciem lokalnym. Napięcie AC220-240V 50/ 60Hz (AC 120V 60Hz) 150W.

Przed pierwszym użyciem urządzenia należy je dokładnie wyczyścić. zdejmowalne części wilgotną ściereczką. Nigdy nie używaj produkty ściernie.

Wyczyść całe urządzenie (patrz część dotycząca czyszczenia).

Miejsce ten urządzenie NA A suchy, płaski, I stabilna powierzchnia.

Wywieraj nacisk na urządzenie, tak aby przyssawki (7) dobrze się trzymały.

ZANIM THE PIERWSZE UŻYCIE

Użyj przycisku ustawień, aby wybrać żądaną szerokość koszenia. Ten cięcie szerokość Jest nastawny z 1 Do 15 mm. Przesuń kołyskę w lewo i umieść jedzenie na kołysce.

Umieść uchwyt na kołysce; użyj tego uchwytu, aby dociśnij jedzenie lekko do tylnej pokrywy.

Włącz urządzenie za pomocą przełącznika włącz/wyłącz który znajduje się po lewej stronie urządzenia.

UWAGA: Urządzenie jest wyposażone w wyłącznik bezpieczeństwa następnie naciśnij jednocześnie przycisk włączania/wyłączania przełącznik i urządzenie będzie start. Naciskając przełącznik (A), najpierw ustaw wyłącznik bezpieczeństwa w kierunku Ponowne naciśnięcie przycisku włącz/wyłącz spowoduje zatrzymanie urządzenia.

UWAGA! Nie dotykaj ostrza, ponieważ jest ono bardzo ostre i mogą spowodować poważne obrażenia.

obrotowe ostrze. Chwytaj pokrojone jedzenie z tyłu urządzenia.

OSTRZEŻENIE! Nigdy nie używaj urządzenia bez Uważaj, możesz zrobić sobie poważną krzywdę.

Po wyłączeniu urządzenia ostrze obraca się jeszcze przez chwilę, dlatego nie należy go dotykać. Po 5 minutach ciągłego użytkowania wyłącz urządzenie i odczekaj , aż ostygnie , aby zapobiec przegrzaniu silnika.

CZYSZCZENIE I KONSERWACJA

Odłącz urządzenie od zasilania i pozwól mu ostygnąć. Do przecierania powierzchni urządzenia używaj miękkiej, lekko wilgotnej ściereczki. Nie dopuść do przedostania się wody ani żadnej innej cieczy do wnętrza urządzenia.

Przed wyjęciem ostrzy należy odłączyć zasilanie wtyczką.

UWAGA! Nigdy nie dotykaj krawędzi ostrzy! Upewnij się, że wyjęty nóż tnący nie może się toczyć. ze stołu!

Teraz możesz czyścić ostrze w wodzie z mydłem, ostrze można również myć w zmywarce.

Aby ponownie umieścić ostrze tnące w odpowiedniej pozycji, upewnij się, że wypustki na ostrzu pasują do siebie. urządzenie i załóż ostrze, zablokuj ostrze przekręcając zatrzask przeciwnie do ruchu wskazówek zegara.

CZYSZCZENIE DRAŻKA KIEROWNICZEGO I OSŁONY OSTRZA

Aby zdemontować drążek kierowniczy i osłonę ostrza: Po prawej stronie drążka kierowniczego znajduje się kłapa, przesun tę kłapę w prawo, aby wyjąć pręt i będziesz mógł wyczyścić te części.

OSTRZEŻENIE!

Materiały opakowaniowe nie są zabawkami. Dzieci nie powinny bawić się materiałami opakowaniowymi. ponieważ istnieje ryzyko połknięcia i uduszenia!

UŻYWAĆ

Wybierz żadaną opcję za pomocą przycisku ustawień szerokość cięcia. Szerokość cięcia jest regulowana w zakresie od 1 do 15 mm. Przesuń kołyskę w lewo i umieść na niej jedzenie kołyska.

Umieść uchwyt na kołysce; użyj tego uchwytu, aby dociśnij jedzenie lekko do tylnej pokrywy.

Włącz urządzenie za pomocą przełącznika włącz/wyłącz który znajduje się po lewej stronie urządzenia.

UWAGA: Urządzenie jest wyposażone w wyłącznik bezpieczeństwa przełącznik (A), najpierw ustaw wyłącznik bezpieczeństwa w kierunku następnie naciśnij jednocześnie przycisk włączania/wyłączania przełącznik, a urządzenie się uruchomi. Naciskając Ponowne naciśnięcie przycisku włącz/ wyłącz spowoduje zatrzymanie urządzenia.

UWAGA! Nie dotykaj ostrza, ponieważ jest ono bardzo ostre i mogą spowodować poważne obrażenia .

Przesuń tackę powoli w prawo, w kierunku przeciwnym do ruchu wskazówek zegara. obracające się ostrze. Chwytaj pokrojone jedzenie z tyłu urządzenia.

OSTRZEŻENIE! Nigdy nie używaj urządzenia bez Uważaj, możesz zrobić sobie poważną krzywdę.

UWAGA:

To urządzenie nadaje się wyłącznie do krojenia jedzenie, np. mięso , sery, owoce, warzywa, pieczywo itp. jedzenie do bycia pokrojone muszą być rozmrożone, nieopakowane i odkostnione przed pokrojeniem w plastry urządzenie. Nie używać do krojenia mrożonek jedzenie, kości, lub w jakimkolwiek innym celu.

Urządzenie nadaje się wyłącznie do użytku domowego i nie jest przeznaczone do celów komercyjnych.

Urządzenie przeznaczone jest wyłącznie do użytku wewnątrz pomieszczeń, na sucho. Nie używaj urządzenia na powietrzu.

GORĄCE PIECZENIE WOŁOWE, WIEPRZOWINA, JAGNIĘCINA, INDYK, SZYNKA

Podczas krojenia pieczeni bez kości należy wyjąć ją z piekarniku i pozostawić do ostygnięcia na 15-20 minut przed

W razie potrzeby pokrój pieczeń tak, aby zmieściła się na platformie.

Umieść folię pod stołem platformy, aby zbierała soki i okruchy, co ułatwi czyszczenie (i pozwoli Ci delektować się najlepszymi kawałkami).

W przypadku pieczeni zwijanej lub wiązanej, usuwaj włókna pojedynczo, w miarę jak będą się one zbliżać do ostrza (upewnij się, że urządzenie jest wyłączone).

SER

Pokrój dobrze schłodzony.

podczas podawania pozwól serowi osiągnąć odpowiednią temperaturę Temperatura. Wzmocni to naturalny smak. Niektóre sery topione mogą przyklejać się do ostrza.

W razie potrzeby wyłącz urządzenie, poczekaj , aż ostrze przestanie się obracać, i wyjmij wtyczkę z gniazdka. Przetrzyj ostrze wilgotną ściereczką , ponieważ wilgoć zapobiegnie jego przywieraniu.

BEKON

Przed pokrojeniem dokładnie schłodzić. Niektóre rodzaje wędzonego boczku należy pozbawić tłuszczu.

WĘDLINY I MIĘSA KANAPKOWE

Wędliny będą trwać dłużej i będzie zachowują smak na dłużej, jeśli zostaną pokrojone w razie potrzeby.

Aby uzyskać najlepsze rezultaty, najpierw schłódź.

Przed krojeniem usuń folię lub twardą osłonkę. Używaj stałego, delikatnego nacisku, aby uzyskać równomierne plastry.

OWOCE I WARZYWA

Pokrój ziemniaki na grube lub cienkie frytki.

Pokrój marchewkę wzdłuż w bardzo cienkie paski. Namocz w lodowatej wodzie, aby się zwinęła. Pokrój cukinię w plasterki, bakłażan, i squash.

BEKON

Chłód dokładnie przed pokrojeniem. Niektóre rodzaje wędzonych z boczku należy usunąć tłuszcz.

Wędliny i mięso kanapkowe

Wędliny będą trwać dłużej i będzie zachowują smak na dłużej, jeśli zostaną pokrojone w razie potrzeby.

Aby uzyskać najlepsze rezultaty, najpierw schłódź. Przed krojeniem usuń folię lub twardą osłonkę. Używaj stałego, delikatnego nacisku, aby uzyskać równomierne plastry.

OWOCE I WARZYWA

Pokrój ziemniaki na grube lub cienkie frytki.

Marchewkę pokrój wzdłuż na bardzo cienkie paski. Namocz w lodowatej wodzie, aż się zwinie.

Pokrój cukinię w plasterki, bakłażan, i squash.

CZYSZCZENIE I KONSERWACJA

Odłącz urządzenie od zasilania i pozwól mu ostygnąć. Do czyszczenia urządzenia należy używać miękkiej, lekko wilgotnej ściereczki. powierzchni. Nie dopuść, aby do wnętrza urządzenia dostała się woda lub inna ciecz.

ZDJĄĆ OSTRZE TNĄCE

Przed usunięciem ostrza, odłącz wtyczkę zasilającą.

UWAGA! Nigdy nie dotykaj krawędzi ostrzy! Upewnij się, że wyjęty nóż tnący nie może się toczyć ze stołu! Trzymaj dzieci w bezpiecznej odległości! Aby wyjąć ostrze tnące, naciśnij przycisk „push” przycisk! w środku ostrza tnącego, zatrzask będzie wyjdź; przekręć zatrzask zgodnie z ruchem wskazówek zegara, aby odblokować ostrze tnące.

Teraz możesz czyścić ostrze w wodzie z mydłem, ostrze można również myć w zmywarce.

Aby ponownie umieścić ostrze tnące w odpowiedniej pozycji, upewnij się, że wypustki na ostrzu pasują do siebie. urządzenie i załóż ostrze, zablokuj ostrze, obracając zatrzask przeciwnie do ruchu wskazówek zegara

CZYSZCZENIE DRAŻKA KIEROWNICZEGO I OSŁONY OSTRZA

Aby zdemontować drążek kierowniczy i ostrze strażnik: Po prawej stronie drążka kierowniczego znajdziesz znajdź włącz, Przesuń teraz tę klapę w prawo – możesz wyjąć pręt i wyczyścić te części.

STRONY	JAK CZYŚCIĆ ICH ?
Uchwyt na żywność	Zdjąć i wyczyścić wodą z mydłem. Opłukać pod bieżącą wodą i dokładnie wysuszyć.
Platforma przesuwna	Przetrzeć miękką szmatką zwilżoną niewielką ilością płynu do naczyń. płyn do prania.
Przesuwny przewodnik	Przetrzyj czystą szmatką i dokładnie osusz. Nie zanurzaj w wodzie ani innych płynach!

PRZECHOWYWANIE I UTYLIZACJA

SKŁADOWANIE:

Przechowuj urządzenie w chłodnym, suchym i czystym miejscu, poza zasięgiem dzieci i zwierząt domowych.

Proszę zachować opakowanie do transportu urządzenia lub do przechowywania urządzenia, gdy nie jest używane przez dłuższy czas.

UTYLIZACJA PRODUKTU:

Tego produktu nie należy wyrzucać razem ze zwykłymi odpadami domowymi, tak jak urządzeń elektrycznych i elektronicznych. odpady muszą być utylizowane oddzielnie.



VEVOR

Affordable. Reliable. Home Improvement.

VOEDSELSNIJDER

Model: SL-517 / SL517

VEVOR

Affordable. Reliable. Home Improvement.

FOOD SLICER

Model: SL-517 / SL517



Dit is de originele handleiding. Lees alle instructies zorgvuldig door voordat u het product gebruikt. VEVOR behoudt zich het recht voor om de gebruiksaanwijzing duidelijk te interpreteren. Het uiterlijk van het product is afhankelijk van het product dat u hebt ontvangen. Neemt u het ons niet kwalijk dat we u niet meer op de hoogte stellen van eventuele technologische of software-updates voor ons product.

BELANGRIJKE VEILIGHEIDSMATREGELEN



Waarschuwing: om het risico op letsel te verminderen, moet de gebruiker de gebruiksaanwijzing zorgvuldig lezen.

	<p>Houd kinderen uit de buurt van de machine, omdat er gevaar kan ontstaan.</p>
	<p>Waarschuwing - Alleen voor gebruik binnenshuis</p>
	<p>CORRECTE VERWIJDERING</p> <p>Dit product valt onder de bepalingen van de Europese Richtlijn 2012/19/EU. Het symbool met een doorgekruiste vuilnisbak geeft aan dat het product in de Europese Unie gescheiden afvalinzameling vereist. Dit geldt voor het product en alle accessoires die met dit symbool zijn gemarkeerd. Producten die als zodanig zijn gemarkeerd, mogen niet met het normale huisvuil worden weggegooid, maar moeten worden ingeleverd bij een inzamelpunt voor recycling van elektrische en elektronische apparaten.</p>

BELANGRIJKE VEILIGHEIDSMATREGELEN

Bij het gebruik van elektrische apparaten moeten basisveiligheidsmaatregelen in acht worden genomen: altijd worden opgevolgd, waaronder het volgende:

LEES EN BEWAAR DEZE INSTRUCTIES

- Lees alle instructies vóór gebruik.
- Om het risico op een elektrische schok te voorkomen, mag u de voedingseenheid niet in het stopcontact steken. in water of een andere vloeistof.
- Nauwlettend toezicht is noodzakelijk wanneer een apparaat wordt gebruikt door of in de buurt van kinderen. Kinderen mogen dit apparaat niet gebruiken.
- Zet de aan/uit-schakelaar in de “UIT”-stand en verwijder de stekker van het snoer uit het stopcontact wanneer u het niet gebruikt, voordat u het

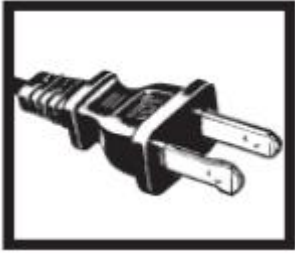
aanbrengt of weghaalt Verwijder de onderdelen en verwijder ze vóór het reinigen. Trek niet aan het netsnoer.

- Vermijd contact met bewegende delen. Geef nooit voedsel met de hand. Altijd Gebruik een compleet gemonteerde snijmachine met voedsellade en voedselduwer.
- Gebruik geen enkel apparaat met een beschadigd snoer of stekker, nadat het apparaat defect is geraakt of is gevallen of beschadigd is geraakt. op welke manier dan ook. Onderhoud dit product niet op een andere manier dan aangegeven in dit handmatig.
- Het gebruik van bijlagen die niet door ons worden aanbevolen of verkocht door de fabrikant veroorzaakte schade kan leiden tot letsel.
- Niet buitenshuis gebruiken.
- Laat het snoer niet over de rand van de tafel of het aanrecht hangen, of het in aanraking laten komen met Hete oppervlakken, inclusief het fornuis. Gebruik geen verlengsnoer.
- Gebruik het apparaat niet voor andere doeleinden dan waarvoor het bedoeld is. Het mes is scherp. Wees voorzichtig bij het reinigen.
- De veiligheidsschakelaar voorkomt onbedoelde bediening van het apparaat. U mag de veiligheidsschakelaar niet omzeilen of omzeilen.
- Het apparaat mag niet worden gebruikt om bevroren voedsel of botten te snijden.
- Gebruik het apparaat alleen als het mes goed is vergrendeld en/of aangescherpt.
- Snijd voedsel altijd met de snijmachine volledig gemonteerd .

DEZE EENHEID IS UITSLUITEND BEDOELD VOOR HUISHOUELIJK GEBRUIK

Dit product is niet bedoeld voor commercieel gebruik. Het bevat geen onderdelen die door de gebruiker zelf onderhouden kunnen worden. Probeer dit product niet zelf te repareren.

GEPOLARISEERDE STEKKER



Dit apparaat heeft een gepolariseerde stekker (één pinnetje) is breder dan de andere). Als veiligheidsvoorziening om om het risico op een elektrische schok te verminderen, is deze stekker bedoeld om slechts op één manier in een gepolariseerd stopcontact te passen. Als de stekker niet volledig in het stopcontact past, draai hem dan om de stekker. Als deze nog steeds niet past, neem dan contact op met een gekwalificeerde elektricien. Probeer deze veiligheidsmaatregel niet te omzeilen de stekker op welke manier dan ook aanpassen of verwijderen. Als de stekker losjes in de het stopcontact of als het stopcontact warm aanvoelt, gebruik het stopcontact dan niet.

BEWAAR DEZE INSTRUCTIES

DOMPEL HET SNOER NIET ONDER IN WATER OF ELKE ANDERE VLOEISTOF !

VEILIGHEID INSTRUCTIES

- Indien u de veiligheidsinstructies negeert, kan de fabrikant niet aansprakelijk worden gesteld voor schade.
- Als het netsnoer beschadigd is, moet het worden vervangen. vervangen door de fabrikant zijn serviceagent, of personen met vergelijkbare kwalificaties om een gevaar.
- Gebruik dit apparaat niet met een beschadigd snoer of stekker, of wanneer het apparaat defect is of op enigerlei wijze beschadigd is. Om een Gevaar , zorg ervoor dat een beschadigd snoer of stekker wordt vervangen door een bekwame en gekwalificeerde reparateur. service.Repareer dit apparaat niet zelf.
- Verplaats het apparaat nooit door aan het snoer te trekken en zorg ervoor

dat het snoer niet in de knoop kan raken.

- Het apparaat moet op een stabiele, vlakke ondergrond worden geplaatst.
- Dit apparaat mag uitsluitend voor huishoudelijke doeleinden worden gebruikt en alleen waarvoor het bedoeld is.
- Het apparaat kan worden gebruikt door kinderen vanaf 8 jaar en personen met een beperkte mobiliteit, fysieke, zintuiglijke of mentale vermogens of gebrek daaraan ervaring en kennis als ze onder toezicht en instructie hebben gekregen betreffende het veilig gebruiken van het apparaat en de betrokken gevaren begrijpen. Kinderen moeten Niet met het apparaat spelen. Reiniging en gebruikersonderhoud mogen niet door kinderen worden uitgevoerd, tenzij ze ouder zijn dan 8 jaar en onder toezicht.
- Om uzelf te beschermen tegen een elektrische schok, mag u het snoer, de stekker of het apparaat niet onderdompelen in water of een andere vloeistof.
- Schakel het apparaat uit en haal de stekker uit het stopcontact voordat u accessoires verwisselt of onderdelen aanraakt die tijdens gebruik bewegen.
- Haal altijd de stekker van het apparaat uit het stopcontact als u het onbeheerd achterlaat en voor monteren, demonteren, of schoonmaken.
- Laat kinderen het apparaat niet gebruiken zonder toezicht. overzicht.
- Dit apparaat moet worden gebruikt met de schuifinvoertafel en de stukkenhouder op hun plaats, tenzij dit niet mogelijk is vanwege de grootte of vorm van het voedsel.
- Voorkom ongelukken zoals struikelen of vallen door het snoer op een veilige plaats neer te leggen.
- Als u een verlengsnoer gebruikt, moet de capaciteit daarvan geschikt zijn voor het stroomverbruik van het apparaat .
- Gebruik het apparaat niet met natte handen of terwijl u op een natte vloer staat. Raak het apparaat niet aan. stekker met natte handen uit het stopcontact halen.
- Open in geen geval de behuizing van het apparaat . Steek geen vreemde voorwerpen in de behuizing.

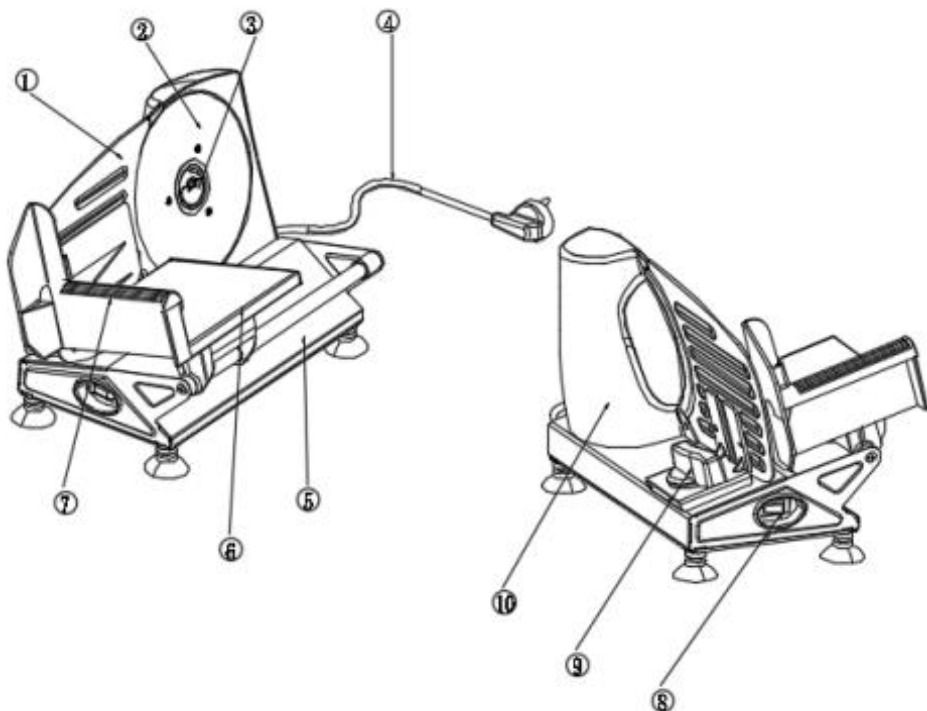
- Gebruik nooit accessoires die niet door de fabrikant zijn aanbevolen. Ze kunnen een veiligheidsrisico vormen. vormen een risico voor de gebruiker en kunnen het apparaat beschadigen. Gebruik uitsluitend originele onderdelen en accessoires.
- Houd het apparaat uit de buurt van hete oppervlakken en open vuur. Gebruik het apparaat altijd op een vlakke, stabiele, schone en droge ondergrond. oppervlak. Bescherm het apparaat tegen hitte, stof, direct zonlicht, vocht, druppels , en opspattend water.
- Plaats geen zware voorwerpen op de apparaat. Niet plaatsen objecten met open vuur, bijvoorbeeld kaarsen, bovenop of naast het apparaat. Plaats geen voorwerpen gevuld met water, vazen, op of in de buurt van het apparaat.
- Trek niet aan het netsnoer om de stekker uit het stopcontact te halen en wikkel het netsnoer niet om het apparaat.
- Haal de stekker van het apparaat uit het stopcontact wanneer het niet in gebruik is en vóór het schoonmaken.
- Schakel het apparaat uit voordat u het vervangt accessoires of bediening onderdelen die bewegen tijdens gebruik.
- Als het apparaat oververhit raakt, Stop met het gebruik van het apparaat en haal de stekker uit het stopcontact.
- Ga nooit weg het apparaat tijdens gebruik niet zonder toezicht achterlaat.
- Droog het apparaat en alle accessoires voordat u deze op de voeding aansluit en voordat u de accessoires bevestigt.
- Schakel altijd eerst het apparaat uit voordat u de stekker uit het stopcontact haalt.
- Maak het apparaat grondig schoon voordat u het gebruikt.
- Houd tijdens het gebruik uw handen en haar uit de buurt van kleding en keukengerei uit de buurt van het snijblad houden om te voorkomen dat verwondingen en schade aan het apparaat.
- Het apparaat is alleen bedoeld voor kortdurend gebruik. operatie. Na een werkingstijd van 5 minuten laten Het minstens 30 minuten laten afkoelen. Overbelast de

SPECIFICATIE

Model	SL-517 / SL517
Nominaal vermogen	150W
Nominale invoer	AC 120V 60Hz 220-240V 50/ 60Hz

ONDERDELEN BESCHRIJVING

1	Steunplaat
2	Blad
3	Bladborgschroef
4	Netsnoer
5	Basismontage
6	Voedseltransport
7	Snijbescherming
8	Aan/uit-schakelaar
9	Dikte-aanpassingsknop
10	Motormontage



Haal het apparaat en de accessoires uit de doos. Verwijder de stickers, beschermfolie of het plastic van het apparaat. de apparaat.

Controleer of alle onderdelen aanwezig zijn en of transportschade. Bij schade of een onvolledige levering kunt u contact opnemen met uw dealer.

Steek de stroomkabel in het stopcontact. (**Let op:** Controleer of de spanning die op het apparaat staat aangegeven overeenkomt met de plaatselijke netspanning voordat u het apparaat aansluit.) Spanning AC220-240V 50/ 60Hz (AC 120V 60Hz) 150W.

Voordat u uw apparaat voor de eerste keer gebruikt, moet u alle onderdelen afvegen. verwijderbare onderdelen met een vochtige doek. Gebruik nooit schuurmiddelen.

Maak het hele apparaat schoon (zie het gedeelte Reinigen).

Plaats de apparaat op A droog, vlak, En stabiel oppervlak.

Oefen neerwaartse druk uit op het apparaat, zodat de zuigvoetjes (7) goed

grip krijgen.

VOOR DE EERSTE GEBRUIK

Met de instelknop kiest u de gewenste snijbreedte.

De snijden breedte is verstelbaar van 1 naar 15 mm. Schuif de houder naar links en plaats het eten op de houder.

Plaats de houder op de houder; gebruik deze houder om Duw het voedsel lichtjes tegen de achterklep.

Activeer het apparaat met behulp van de aan/uit-schakelaar die zich aan de linkerkant van het apparaat bevindt.

LET OP: Dit apparaat is voorzien van een veiligheidsvoorziening druk dan tegelijkertijd op de aan/uit-knop

schakelaar en het apparaat zal start. Door op de schakelaar (A), breng eerst de veiligheidsschakelaar naar Als u de aan/uit-schakelaar nogmaals indrukt, stopt het apparaat.

WAARSCHUWING! Raak het mes niet aan, het mes is zeer scherp en kan ernstig letsel veroorzaken.

roterend mes. Vang het gesneden voedsel op aan de achterkant van het apparaat.

WAARSCHUWING! Gebruik het apparaat nooit zonder de Als u niet oplet, kunt u zichzelf ernstig verwonden.

aan . Schakel het apparaat na 5 minuten gebruik uit en laat het afkoelen om oververhitting van de motor te voorkomen.

REINIGING EN ONDERHOUD

Haal de stekker van het apparaat uit het stopcontact en laat het afkoelen.

Gebruik een zachte, licht vochtige doek om de oppervlakken van het apparaat schoon te vegen. Zorg ervoor dat er geen water of andere vloeistoffen in het apparaat komen.

Voordat u de messen verwijdert, moet u de stroom uitschakelen plug.

WAARSCHUWING! Raak nooit de randen van de messen aan! Zorg ervoor dat het verwijderde snijmes niet kan weggrollen. van tafel!

Nu kunt u het mes schoonmaken in zeepsop. Het mes is bovendien

vaatwasmachinebestendig.

Om het snijblad weer op zijn plaats te zetten, moet u ervoor zorgen dat de lipjes op het blad overeenkomen met de apparaat en plaats het mes, vergrendel het mes door de vergrendeling tegen de klok in te draaien.

REINIGEN VAN DE STUURSTANG EN HET MESBESCHERMING

Om de spoorstang en de beschermkap van het mes te demonteren: Aan de rechterkant van de spoorstang vindt u een luikje. Schuif dit luikje naar rechts en u kunt de beschermkap eruit halen. staaf en je kunt deze onderdelen schoonmaken.

WAARSCHUWING!

Verpakkingsmaterialen zijn geen speelgoed. Kinderen mogen niet met de verpakkingsmaterialen spelen. omdat er een risico op inslikken en verstikking bestaat!

GEBRUIK

Gebruik de instelknop om de gewenste instelling te kiezen snijbreedte. De snijbreedte is instelbaar van 1 tot 15 mm. Schuif de houder naar links en plaats het eten erop de wieg.

Plaats de houder op de houder; gebruik deze houder om Duw het voedsel lichtjes tegen de achterklep.

Activeer het apparaat met behulp van de aan/uit-schakelaar die zich aan de linkerkant van het apparaat bevindt.

LET OP: Dit apparaat is voorzien van een veiligheidsvoorziening schakelaar (A), breng eerst de veiligheidsschakelaar naar druk dan tegelijkertijd op de aan/uit-knop schakelaar en het apparaat start. Door op de Als u de aan/ uit -schakelaar nogmaals indrukt, stopt het apparaat.

WAARSCHUWING! Raak het mes niet aan, het mes is Zeer scherp en kan ernstig letsel veroorzaken .

Schuif de lade langzaam naar rechts tegen de draaiend mes. Vang het gesneden voedsel op aan de achterkant van het apparaat.

WAARSCHUWING! Gebruik het apparaat nooit zonder de Als u niet oplet, kunt u zichzelf ernstig verwonden.

LET OP:

Dit apparaat is alleen geschikt voor het snijden voedsel, bijvoorbeeld vlees , kazen, fruit, groenten, brood, enz. De voedsel om te zijn gesneden moet ontdooid, onverpakt en ontbeend voordat het in plakjes gesneden kan worden met de apparaat. Niet gebruiken voor het snijden van bevroren voedsel, botten, of voor enig ander doel.

Dit apparaat is uitsluitend geschikt voor huishoudelijk gebruik en is niet ontworpen voor commerciële doeleinden.

Dit apparaat is uitsluitend bedoeld voor gebruik binnenshuis in droge ruimtes. Gebruik het apparaat niet buiten.

HEET BRAADSTUKKEN, RUNDVLEES, VARKENSVLEES, LAM, KALKOEN, HAM

Bij het snijden van gebrad zonder bot, verwijder het oven en laat het 15-20 minuten afkoelen voordat

Snijd het gebrad, indien nodig, zodat het op het platform past. Plaats folie onder het platform om sappen en kruimels op te vangen, zodat u het gemakkelijk kunt schoonmaken (en uzelf kunt trakteren op de beste stukken).

Bij opgerold of vastgebonden braadstuk verwijdert u de touwtjes één voor één, naarmate de touwtjes dicht bij het mes komen (zorg ervoor dat het apparaat is uitgeschakeld).

KAAS

Snijd goed in plakjes gekoeld.

serveren, laat de kaas op kamertemperatuur komen temperatuur. Dit versterkt de natuurlijke smaak. Sommige bewerkte kaas kan aan het mes blijven plakken.

Schakel het apparaat indien nodig uit, wacht tot het mes stopt met draaien en haal de stekker uit het stopcontact. Veeg het mes af met een vochtige doek , want vocht voorkomt dat het mes vastloopt.

ACHTERSPEK

Laat het geheel goed afkoelen voordat u het aansnijdt. Bij sommige soorten gerookt spek moet het vet verwijderd worden.

KAAS- EN SANDWICHVLEES

Vleeswaren zullen langer meegaan en zal Behoudt langer zijn smaak als hij direct na het koken in plakjes wordt gesneden.

Voor het beste resultaat, eerst afkoelen.

Verwijder plastic of harde schil voordat u gaat snijden. Oefen constante, lichte druk uit voor gelijkmatige plakjes.

GROENTEN EN FRUIT

Snijd de aardappelen in plakjes voor dikke of dunne frieten.

Snijd de wortels in de lengte in zeer dunne reepjes. Week ze in ijswater tot ze krullen. Snijd de courgette in plakjes, aubergine, en pompoen.

ACHTERSPEK

Rustig aan grondig doorspoelen alvorens te snijden. Sommige soorten gerookte Het vet van spek moet verwijderd worden.

Vleeswaren en sandwichvlees

Vleeswaren zullen langer meegaan en zal Behoudt langer zijn smaak als hij direct na het koken in plakjes wordt gesneden.

Voor het beste resultaat, eerst afkoelen. Verwijder plastic of harde schil voordat u gaat snijden. Oefen constante, lichte druk uit voor gelijkmatige plakjes.

GROENTEN EN FRUIT

Snijd de aardappelen in plakjes voor dikke of dunne frieten.

Snijd de wortelen in de lengte in hele dunne reepjes. Week ze in ijswater, zodat ze gaan krullen.

Courgette in plakjes snijden, aubergine, en pompoen.

SCHOONMAAK EN ONDERHOUD

Haal de stekker van het apparaat uit het stopcontact en laat het afkoelen. Gebruik een zachte, licht vochtige doek om het apparaat af te vegen oppervlakken. Zorg ervoor dat er geen water of andere vloeistoffen in het apparaat terechtkomen.

VERWIJDER HET SNIJMES

Voordat u de messen, trek de stekker uit het stopcontact.

WAARSCHUWING! Raak nooit de randen van de messen aan! Zorg ervoor dat het verwijderde snijmes niet kan weggrollen van de tafel! Houd kinderen op een veilige afstand! Om het snijblad te verwijderen, drukt u op de 'push'-knop. knop' in het midden van het snijblad, een klink zullen kom eruit; draai de grendel met de klok mee om te ontgrendelen het snijblad. Nu kunt u het mes schoonmaken in zeepsop. Het mes is bovendien vaatwasmachinebestendig.

Om het snijblad weer op zijn plaats te zetten, moet u ervoor zorgen dat de lipjes op het blad overeenkomen met de apparaat en plaats het mes, vergrendel het mes door de vergrendeling tegen de klok in te draaien

REINIGEN VAN DE STUURSTANG EN HET MESBESCHERMING

Om de trekstang en het mes te demonteren bewaker: Aan de rechterkant van de stuurstang vindt u een luik vinden, Schuif dit luik nu naar rechts. Dan kun je de stang eruit halen en deze onderdelen schoonmaken.

ONDERDELEN	HOE SCHOON TE MAKEN HEN ?
Voedselhouder	Verwijderen en schoonmaken met zeepsop. Spoel af onder de kraan en droog grondig af.
Schuifplatform	Veeg af met een zachte doek bevochtigd met wat afwasmiddel wasmiddel.
Glijden	Veeg af met een schone doek en droog grondig af.

voedselgids	Niet onderdompelen in water of andere vloeistoffen!
-------------	---

OPSLAG EN VERWIJDERING

OPSLAG:

Bewaar het apparaat op een koele, droge en schone plaats, buiten bereik van kinderen en huisdieren.

Bewaar de verpakking voor het transport van de apparaat of voor het opbergen van uw apparaat wanneer u het gedurende een langere periode niet gebruikt.

PRODUCTVERWIJDERING:

Dit product mag niet met het gewone huisvuil worden weggegooid, aangezien elektrische en elektronische apparaten niet bij het gewone huisvuil horen. Afval moet gescheiden worden afgevoerd.



VEVOR

Affordable. Reliable. Home Improvement.

MATSKÄRARE

Modell: SL-517 / SL517

VEVOR

Affordable. Reliable. Home Improvement.

FOOD SLICER

Modell: SL-517 / SL517






Detta är originalinstruktionerna, vänligen läs alla instruktioner noggrant innan du använder produkten. VEVOR förbehåller sig en tydlig tolkning av vår användarmanual. Produktens utseende ska vara beroende av den produkt du mottagit. Vi ber om ursäkt för att vi inte kommer att informera dig igen om det finns några teknik- eller programuppdateringar för vår produkt.

VIKTIGA SÄKERHETSÅTGÄRDER



Varning – För att minska risken för skador måste användaren läsa instruktionsmanualen noggrant.

	<p>Håll barn borta från maskinen av rädsla för fara.</p>
	<p>Varning - Endast för inomhusbruk</p>
	<p>KORREKT AVFALLSHANTERING</p> <p>Denna produkt omfattas av bestämmelserna i EU-direktiv 2012/19/EU. Symbolen som visar en överstruken soptunna indikerar att produkten kräver separat sophämtning inom Europeiska unionen. Detta gäller produkten och alla tillbehör som är märkta med denna symbol. Produkter som är märkta som sådana får inte kasseras med vanligt hushållsavfall, utan måste lämnas till en samlingsplats för återvinning av elektriska och elektroniska apparater.</p>

VIKTIGA SÄKERHETSÅTGÄRDER

Vid användning av elektriska apparater bör grundläggande säkerhetsåtgärder vidtas alltid följas, inklusive följande:

LÄS OCH SPARA DESSA INSTRUKTIONER

- Läs alla instruktioner före användning.
- För att skydda mot risk för elektriska stötar, placera inte strömförsörjningen i vatten eller annan vätska.
- Noggrann övervakning är nödvändig när någon apparat används av eller nära barn. Barn bör inte använda denna apparat.
- Sätt på/av-knappen i läge "AV" och dra ur sladden från eluttaget när den inte används, innan du sätter på eller tar av delar och före rengöring. Dra inte i nätsladden.
- Undvik att vidröra rörliga delar. Mata aldrig mat för hand. använd en helt monterad skivare med matfack och matpåskjutare.

- Använd inte någon apparat med skadad sladd eller kontakt, efter att apparaten inte fungerar som den ska eller har tappats eller skadats i på något sätt. Utför inte service på denna produkt på annat sätt än vad som anges i detta manuella.
- Användning av tillbehör som inte rekommenderas eller säljs av tillverkaren kan orsaka skada.
- Använd inte utomhus.
- Låt inte sladden hänga över kanten på bordet eller bänkskivan, eller vidröra den heta ytor, inklusive spisen. Använd inte en förlängningssladd.
- Använd inte apparaten till annat än avsett ändamål. Bladet är vasst. Hantera försiktigt vid rengöring.
- Säkerhetsbrytaren förhindrar oavsiktlig aktivering av apparaten. Omkoppla eller kringgå inte säkerhetsbrytaren.
- Apparaten bör inte användas för att skära fryst mat eller ben.
- Använd endast apparaten om bladet är ordentligt låst och/eller åtdragna.
- Skär alltid mat med skivaren helt monterad .

DENNA ENHET ÄR ENDAST FÖR HUSHÅLLSBRUK

Denna produkt är inte avsedd för kommersiellt bruk. Inga delar inuti som kan repareras av användaren. Försök inte att utföra service på denna produkt.

POLARISERAD PLUGG



Denna apparat har en polariserad kontakt (en stift) (är bredare än den andra). Som säkerhetsåtgärd för att minska risken för elektriska stötar, är denna kontakt avsedd att passa i ett polariserat uttag endast på ett sätt. Om kontakten inte passar helt i uttaget, vrid den

omvända kontakten. Om den fortfarande inte passar, kontakta en kvalificerad elektriker. Försök inte att omintetgöra denna säkerhet funktion eller modifiera kontakten på något sätt. Om kontakten sitter löst i nätuttaget, eller om uttaget känns varmt, använd inte det uttaget.

SPARA DESSA INSTRUKTIONER

SÄNK INTE NER SLADDEN I VATTEN ELLER ALL ANNAN VÄTSKA!

SÄKERHET INSTRUKTIONER

- Om du ignorerar säkerhetsanvisningarna kan tillverkaren inte hållas ansvarig för skador.
- Om nätsladden är skadad måste den ersättas av tillverkaren dess serviceagent, eller liknande kvalificerade personer för att undvika en fara.
- Använd inte den här apparaten med en skadad sladd eller kontakt, eller om apparaten inte fungerar som den ska eller har skadats på något sätt. För att undvika fara, se till att en skadad sladd eller kontakt byts ut av en kompetent och kvalificerad reparationsfirma. service. Reparera inte apparaten själv.
- Flytta aldrig apparaten genom att dra i sladden och se till att sladden inte trasslar in sig.
- Apparaten måste placeras på en stabil och jämn yta.
- Denna apparat är endast avsedd att användas i hushållet och endast för det avsedda ändamålet.
- Apparaten kan användas av barn från 8 år och uppåt och personer med nedsatt synförmåga, fysiska, sensoriska eller mentala förmågor eller brist på erfarenhet och kunskap om de är under handledning och har fått instruktioner gällande användning av apparaten på ett säkert sätt och förstå de risker som är inblandade. Barn måste Lek inte med apparaten. Rengöring och underhåll får inte utföras av barn. såvida de inte är äldre än 8 år och övervakad.
- För att skydda dig mot elektriska stötar, doppa inte sladden, kontakten eller apparaten i vatten eller någon annan vätska.
- Stäng av apparaten och dra ur sladden innan du byter tillbehör eller

hanterar delar som rör sig under användning.

- Koppla alltid ur enhetens sladd om den lämnas obebakad och före montering, demontering, eller rengöring.
- Låt inte barn använda enheten utan tillsyn.
- Denna apparat måste användas med det glidande matningsbordet och bithållaren på plats, såvida detta inte är möjligt på grund av livsmedlets storlek eller form.
- Undvik olyckor som snubbling eller fall genom att placera sladden på ett säkert ställe.
- Om en förlängningssladd används måste dess kapacitet vara lämplig för apparatens strömförbrukning .
- Använd inte apparaten med våta händer eller när du står på ett vått golv. Rör inte vid stickkontakten med våta händer.
- Öppna inte apparatens hölje under några omständigheter . För inte in några främmande föremål i höljets insida.
- Använd aldrig tillbehör som inte rekommenderas av tillverkaren. De kan utgöra en säkerhetsrisk. risk för användaren och kan skada apparaten. Använd endast originaldelar och tillbehör.
- Håll apparaten borta från heta ytor och öppna lågor. Använd alltid apparaten på en jämn, stabil, ren och torr plats yta. Skydda apparaten mot värme, damm, direkt solljus, fukt, droppar , och stänkande vatten.
- Placera inte tunga föremål ovanpå apparat. Placera inte föremål med öppen låga, äggljus, ovanpå eller bredvid apparaten. Placera inte föremål fyllda med vatten, äggvaser, på eller nära apparaten.
- Dra inte i nätsladden för att dra ut kontakten ur uttaget och linda inte nätsladden runt apparaten.
- Koppla ur apparaten från eluttaget när den inte används och före rengöring.
- Stäng av apparaten innan du byter tillbehör eller hantering delar som rör sig under använda.
- Om apparaten skulle överhettas, sluta använda apparaten och dra ur sladden ur uttaget.
- Lämna aldrig apparaten utan uppsikt under användning.

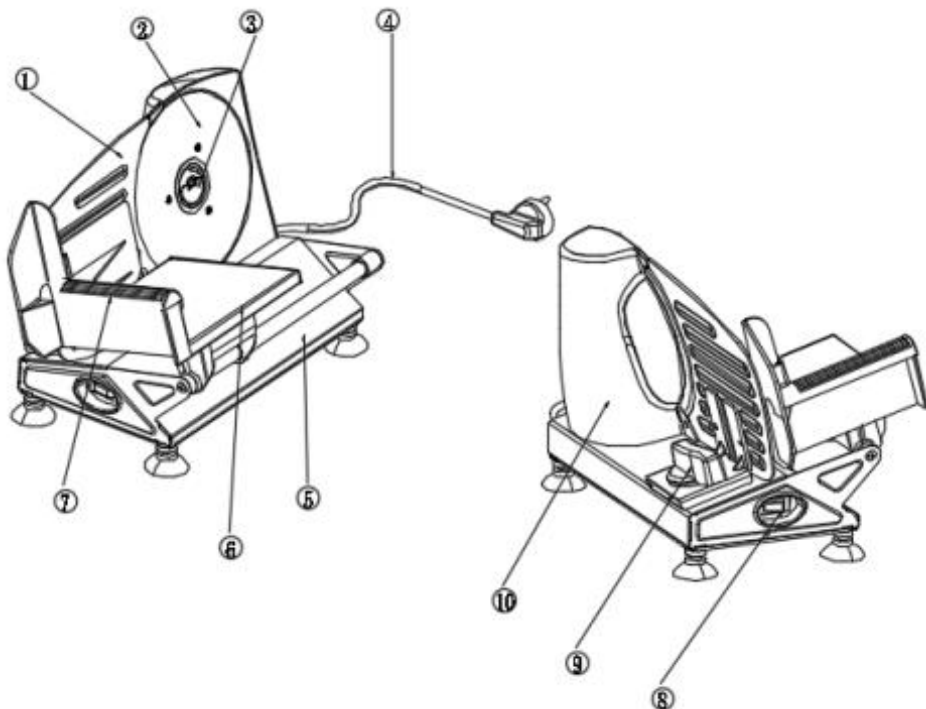
- Torka apparaten och allt tillbehör innan du ansluter dem till strömförsörjningen och innan du monterar dem.
- Stäng alltid av apparaten innan du drar ur strömsladden.
- Rengör apparaten noggrant innan du använder den.
- Håll händer och hår under drift kläder och redskap borta från skärbladet för att undvika personskador och skador på apparaten.
- Apparaten är endast avsedd för kortvarig användning. drift. Efter en drifttid på 5 minuter låt det svalna i minst 30 minuter. Överbelasta inte

SPECIFIKATION

Modell	SL-517 / SL517
Nominell effekt	150W
Nominell ingång	AC 120V 60Hz 220 - 240V 50/ 60Hz

DELAR BESKRIVNING

1	Stödplatta
2	Blad
3	Bladlåsskruv
4	Nätsladd
5	Basmontering
6	Matvagn
7	Skärskydd
8	På/Av-knapp
9	Tjockleksjusteringsknapp



Ta ut apparaten och tillbehören ur lådan. Ta bort klistermärkena, skyddsfolien eller plasten från de anordning.

Kontrollera att alla delar finns och att Transportskador. Vid skador eller ofullständig leverans, vänligen kontakta din återförsäljare.

Sätt i strömkabeln i uttaget. (**Obs:** Se till att spänningen som anges på enheten överensstämmer med den lokala spänningen innan du ansluter enheten.) Spänning AC 220 - 240 V 50/60 Hz (AC 120 V) 60Hz) 150W.

Innan du använder apparaten för första gången, torka av alla avtagbara delar med en fuktig trasa. Använd aldrig slipande produkter.

Rengör hela apparaten (se rengöringsavsnittet).

Plats de apparat på en torka, platt, och stabil yta.

Tryck nedåt på apparaten så att sugfötterna (7) får ett bra grepp.

FÖRE DE FÖRSTA ANVÄNDNINGEN

Använd inställningsknappen för att välja önskad skärbredd.

De skärande bredd är justerbar från 1 till 15 mm. Skjut vaggan åt vänster och placera maten på vaggan.

Placera hållaren på vaggan; använd den här hållaren för att tryck maten lätt mot bakluckan.

Aktivera enheten med hjälp av på/av-knappen som finns på enhetens vänstra sida.

OBS: Denna apparat är utrustad med en säkerhetsanordning själv tryck sedan samtidigt på på/av-knappen strömbrytaren och apparaten kommer att starta. Genom att trycka på brytaren (A), för först säkerhetsbrytaren mot på/av-knappen igen så stannar apparaten.

WARNING! Rör inte vid bladet, bladet är mycket vassa och kan orsaka allvarliga skador.

roterande blad. Fånga upp den skivade maten på baksidan av enheten.

WARNING! Använd aldrig enheten utan vakt, du kan skada dig allvarligt.

När du stänger av enheten fortsätter bladet att rotera ett tag, så rör inte vid det. Stäng av enheten efter 5 minuters kontinuerlig användning och låt den svalna för att förhindra överhettning av motorn.

RENGÖRING OCH UNDERHÅLL

Dra ur sladden till apparaten och låt den svalna. Torka av apparatens ytor med en mjuk, lätt fuktig trasa. Låt inte vatten eller annan vätska komma in i enheten.

Innan du tar bort knivarna, stäng av strömmen plugg.

WARNING! Rör aldrig vid knivens kanter! Se till att den borttagna skärkniven inte kan rulla av bordet!

Nu kan du rengöra bladet i tvålatten, bladet tål även diskmaskin.

För att sätta tillbaka skärbladet på plats, se till att flikarna på bladet matchar apparaten och sätt på bladet, lås bladet genom att vrida spärren moturs.

RENGÖRING AV DRAGSTYG OCH BLADSKYDD

För att demontera dragstången och bladskyddet: På höger sida av dragstången hittar du en lucka, skjut denna lucka åt höger nu kan du ta ut stång och du kommer att kunna rengöra dessa delar.

VARNING!

Förpackningsmaterial är inte leksaker. Barn ska inte leka med förpackningsmaterialet. eftersom de utgör en risk för sväljning och kvävning!

ANVÄNDA

Använd inställningsknappen för att välja önskad skärbredd.

Skärbredden är justerbar från 1 till 15 mm. Skjut vaggan åt vänster och placera maten på vaggan.

Placera hållaren på vaggan; använd den här hållaren för att tryck maten lätt mot bakluckan.

Aktivera enheten med hjälp av på/av-knappen som finns på enhetens vänstra sida.

OBS: Denna apparat är utrustad med en säkerhetsanordning brytaren (A), för först säkerhetsbrytaren mot själv tryck sedan samtidigt på på/av-knappen strömbrytaren och apparaten startar. Genom att trycka på på/ av -knappen igen så stannar apparaten.

VARNING! Rör inte vid bladet, bladet är mycket vass och kan orsaka allvarliga skador .

Skjut facket långsamt åt höger mot roterande blad. Fånga den skivade maten längst bak på enheten.

VARNING! Använd aldrig enheten utan vakt, du kan skada dig allvarligt.

OBSERVERA ATT:

Denna apparat är endast lämplig för skivning mat t.ex. kött , ostar, frukter, grönsaker, bröd, etc. mat att vara skivade produkter måste tinas, packas upp och urbenad innan den kan skivas med apparat. Använd den inte för att skiva fryst mat, ben, eller för något annat ändamål.

Denna apparat är endast lämplig för privat hushållsbruk och är inte avsedd för kommersiella ändamål.

Denna apparat är endast avsedd för torr inomhusbruk. Använd inte apparaten utomhus.

VARMA STEKAR, NÖTKÖTT, FLÄSK, LAMM, TURKIET, SKINKA

När du skär benfria stekar, ta bort dem från ugnen och låt svalna i 15–20 minuter innan

Skär upp steken, om det behövs, så att den passar på plattformen. Placera folie under plattformsbordet för att samla upp saft och smulor för enkel rengöring (och för att unna dig de bästa bitarna).

För rullad eller bunden stek, ta bort trådarna en i taget allt eftersom trådarna kommer närmare bladet (se till att apparaten är avstängd).

OST

Skär medan du är bra kyld.

servering, låt osten nå rumstemperatur temperatur. Detta kommer att förstärka den naturliga smaken. Viss smältost kan fastna på bladet.

Stäng av apparaten vid behov, vänta tills bladet slutar rotera och dra ut kontakten. Torka av bladet med en fuktig trasa eftersom fukt hjälper till att förhindra att bladet fastnar.

BACKBACON

Kyl ner ordentligt innan skivning. Vissa typer av rökt bacon bör få bort fett.

KALLKÖTT OCH SMÖRGÅSAR

Kallskuret kött kommer att hålla längre och kommer att behåller smaken längre om den skärs upp vid behov.

För bästa resultat, kyl först.

Ta bort eventuell plast eller hårt hölje innan du skär. Använd ett konstant, försiktigt tryck för jämna skivor.

FRUKT OCH GRÖNSAKER

Skiva potatisen för tjocka eller tunna pommes frites.

Skiva morötterna på längden i mycket tunna strimlor. Blötlägg i iskallt vatten för att krulla dem. Skiva zucchinin, äggplanta, och squash.

BACKBACON

Kyla noggrant innan du skär upp. Vissa typer av rökt Baconet ska ha fettet borttaget.

Kallskuret och smörgåskött

Kallskuret kött kommer att hålla längre och kommer att behåller smaken längre om den skärs upp vid behov.

För bästa resultat, kyl först. Ta bort eventuell plast eller hårt hölje innan du skär. Använd ett konstant, försiktigt tryck för jämna skivor.

FRUKT OCH GRÖNSAKER

Skiva potatisen för tjocka eller tunna pommes frites.

Skiva morötterna på längden i mycket tunna strimlor. Blötlägg i iskallt vatten för att krulla dem.

Skiva zucchini, äggplanta, och squash.

RENGÖRING OCH UNDERHÅLL

Dra ur sladden till apparaten och låt den svalna. Använd en mjuk, lätt fuktig trasa för att torka av apparaten ytor. Låt inte vatten eller annan vätska komma in i enheten.

TA BORT SKÄRBLADET

Innan du tar bort knivarna, dra ur strömsladden.

VARNING! Rör aldrig vid knivarnas kanter! Se till att den borttagna skärkniven inte kan rulla av bordet! Håll barn på säkert avstånd! För att ta bort skärbladet. Tryck på 'tryck'-knappen knapp' mitt på skärbladet, en spärr vilja kom ut; vrid spärren medurs för att låsa upp skärbladet.

Nu kan du rengöra bladet i tvålatten, bladet tål även diskmaskin. För att sätta tillbaka skärbladet på plats, se till att flikarna på bladet matchar apparaten och sätt på bladet, lås bladet genom att vrida spärren moturs

RENGÖRING AV DRAGSTYG OCH BLADSKYDD

För att demontera dragstången och bladet skydda: På höger sida av dragstången kommer du att hitta en lucka, Skjut den här luckan åt höger nu kan du ta ut stången och rengöra delarna.

DELAR	HUR MAN RENGÖR DEM ?
Mathållare	Ta bort och rengör med tvålatten. Skölj under kranvatten och torka noggrant.
Glidplattform	Torka av med en mjuk trasa fuktad med lite diskmedel tvättmedel.
Glidande matguide	Torka av med en ren trasa och torka noggrant. Sänk inte ner i vatten eller andra vätskor!

FÖRVARING OCH AVFALLSHANtering

LAGRING:

Förvara apparaten på en sval, torr och ren plats, utom räckhåll för barn och husdjur.

Vänligen spara förpackningen för transport apparaten eller för förvaring av apparaten när den inte används under en längre tid.

PRODUKTAVFALLSHANtering:

Denna produkt får inte slängas med vanligt hushållsavfall, eftersom elektriska och elektroniska avfall måste kasseras separat.

