

# **VEVOR**

**Affordable. Reliable. Home Improvement.**

## **STEERING WHEEL STAND**

**MODEL: 6018**

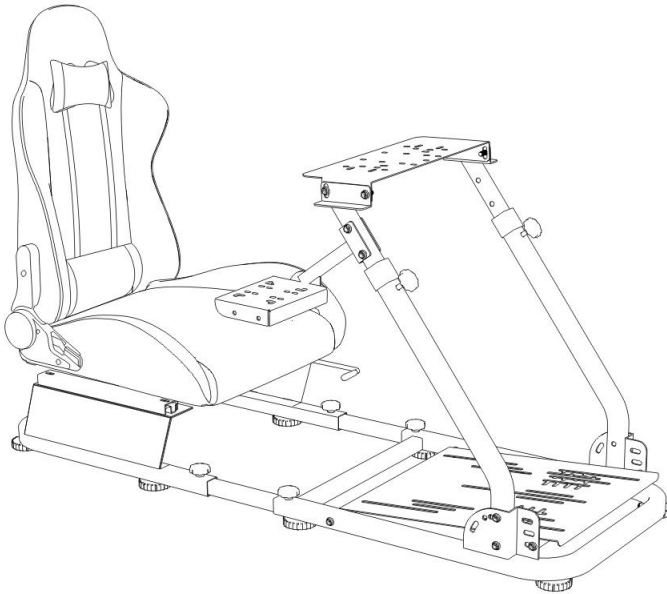


# VEVOR

Affordable. Reliable. Home Improvement.

## STEERING WHEEL STAND

**Model:6018**



This is the original instruction, please read all manual instructions carefully before operating. VEVOR reserves a clear interpretation of our user manual. The appearance of the product shall be subject to the product you received. Please forgive us that we won't inform you again if there are any technology or software updates on our product.

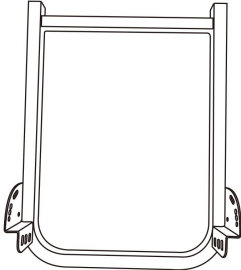
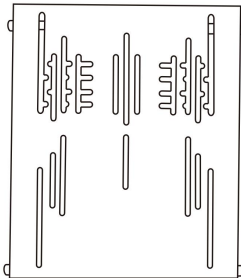



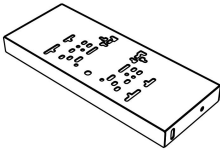

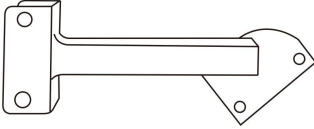
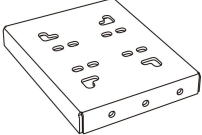
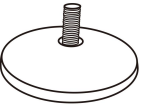
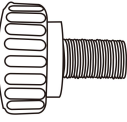
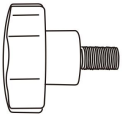
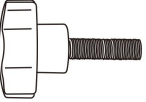
**Warning-**To reduce the risk of injury, user must read instructions manual carefully.

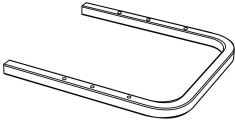

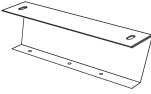
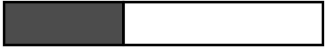


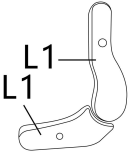
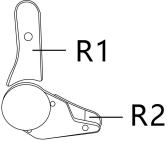
## Attentions



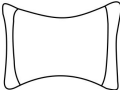

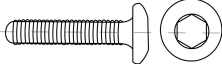
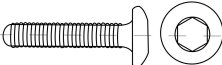
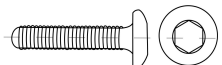
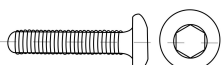

- Please install and use the stand according to instruction.
  - Please install moderately, avoid strong vibration.
  - Don't keep in humid conditions, high temperatures, or a dusty location.
  - The product structure is flexible, wear work gloves during assembly.
- Please take care of a hurting hand when installing .
- Children should be under adult supervision when using the product.




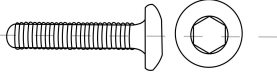
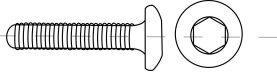
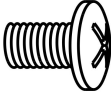
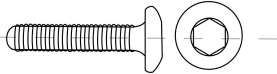


## Save the manual.

Part List			
Code	Picture	Name	QTY.
1	 A line drawing of a rectangular pedestal with rounded corners and two small protrusions on the bottom edge.	Pedestal A	1
2	 A line drawing of a rectangular panel with various internal components, including several vertical bars and a central horizontal bar.	Pedal panel	1
3	 A line drawing of a single L-shaped armrest with a circular hole at the end.	Left and Right Armrests	2

4		Steering Wheel Panel	1
5		Left&right telescopic rod	2
6		Gear lever holder	1
7		Gear lever panel	1
8		Leveling Foot	8
9		Star Handwheel M8x25	2
10		Star Handwheel M8x16	6
11		Star Handwheel M8x30	2

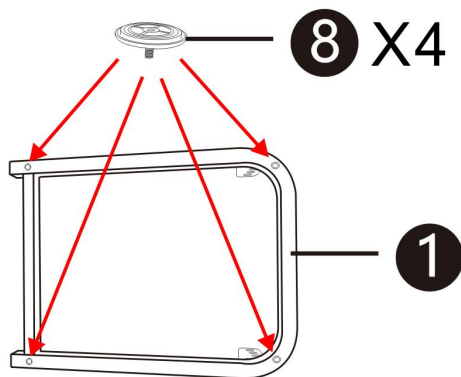
12		Pedestal B	1
13		Pedestal fixed crossbar	2
14		Pedestal C	2
15		Tie-down strap	6
16		back	1
17		seat	1
18		Angle adjuster plastic cover - left	1
19		Angle adjuster plastic cover - right	1

20	 L	recliner-left	1
21	 R	recliner-right	1
22		Headrest pillow	1
23		Lumbar pillow	1
A		Screw M8×20	4+1
B		Screw M8×35	2+1
C		Screw M8×45	2+1
D		Screw M6×16	8+12
E		Flange nut M8	6+1

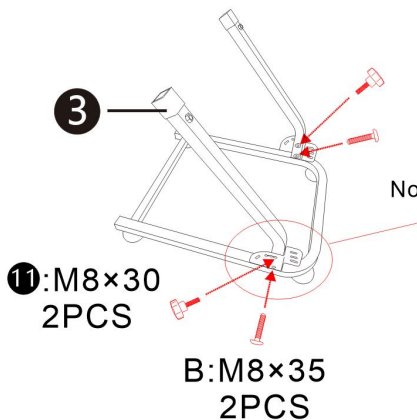
F		Flange nut M6	2+6
G		Hex wrench 5mm	1
H		10-13 open-end spanner	1
I		Screw M8x50	2+1
a		Screw M8x25	8+1
b		Screw M5x8	6+1
d		Screw M8x16	4+1
e		Spring washer M8	8+1
f		Ring spanner 5mm	1

**Note:** 12pcs screws M6\*16 and 6pcs nuts M6 are complimentary.  
★ For the list of seat kits and installation, please refer to the seat installation procedure manual attachment.

**STEP 1:**

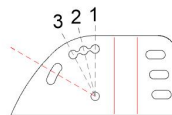


**STEP 2:**

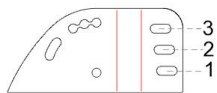
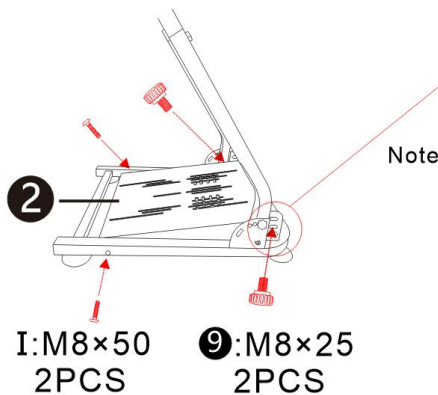


Note: These 3 holes are used to adjust the angle of side arms. choose the appropriate hole position for installation.

Note: When the main frame is folded, the installation screws of the side arms can be placed in this hole position

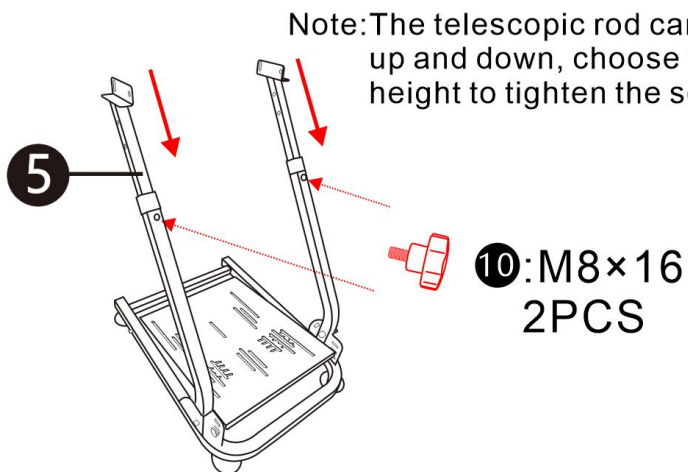


### STEP 3:

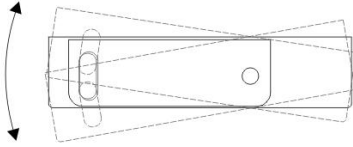


Note: These 3 holes are used to adjust the angle of pedal panel. choose the appropriate hole position for installation.

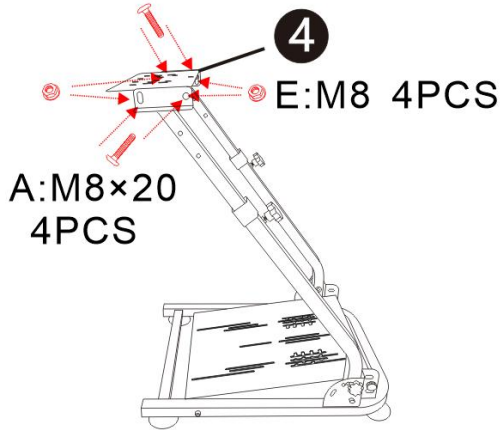
### STEP 4:



**STEP 5:**



Note: Angle can be adjusted here, choose the appropriate angle for installation.

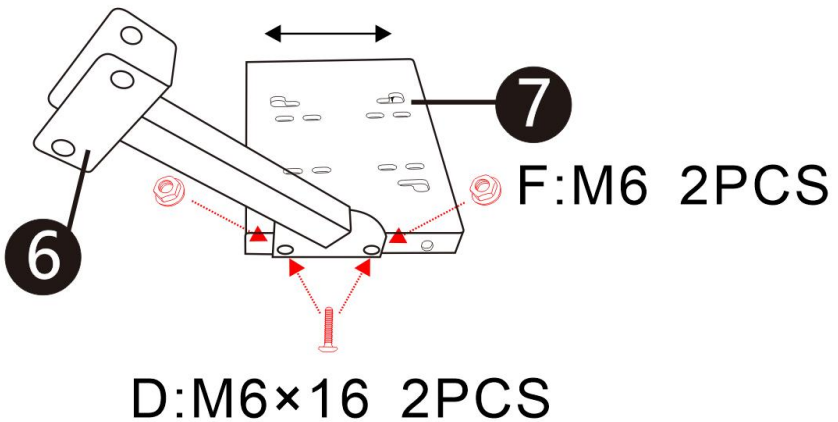


A: M8x20  
4PCS

4  
E: M8 4PCS

**STEP 6:**

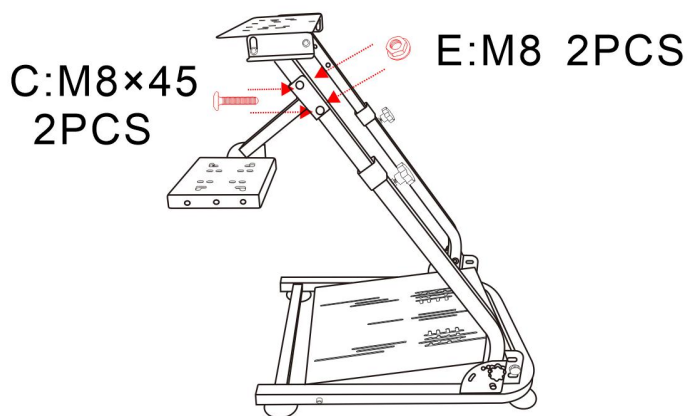
Note: The panel can be adjusted front and back.



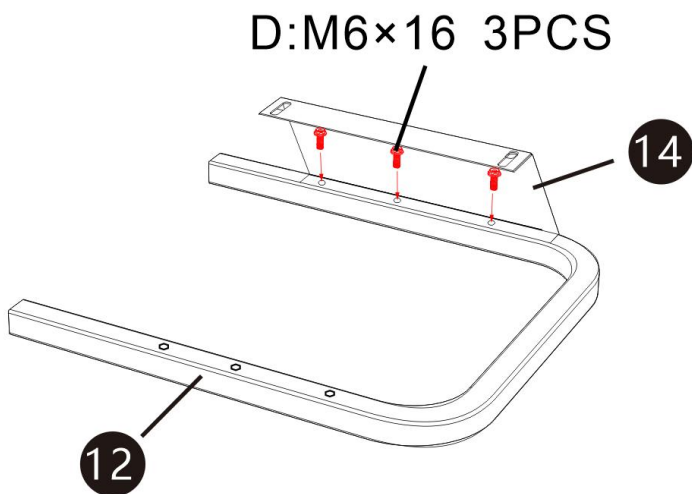
7  
F: M6 2PCS

D: M6x16 2PCS

**STEP 7:**

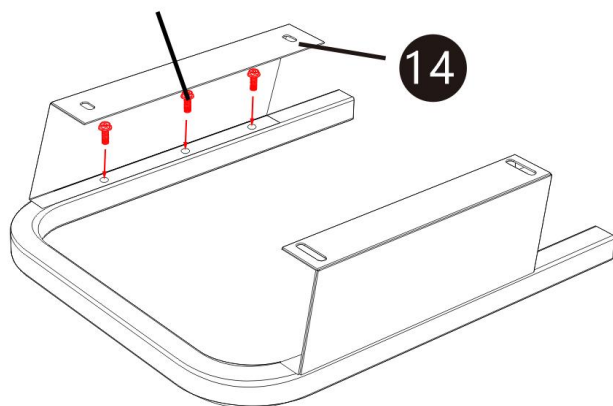


**STEP 8:**



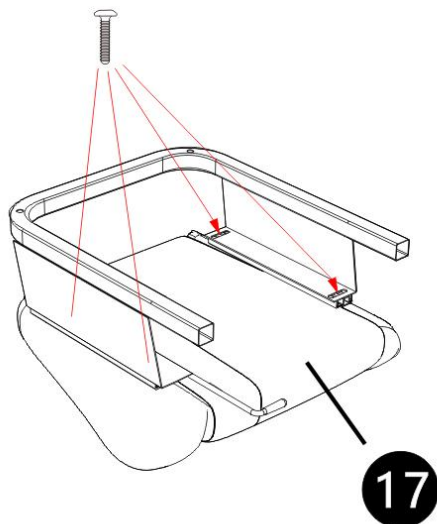
**STEP 9:**

**D:M6×16 3PCS**

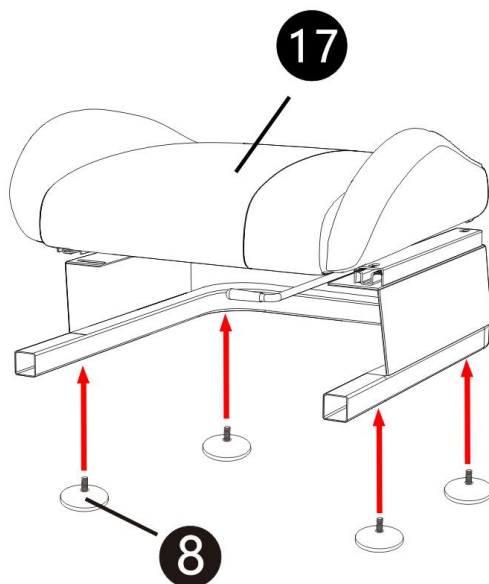


**STEP 10:**

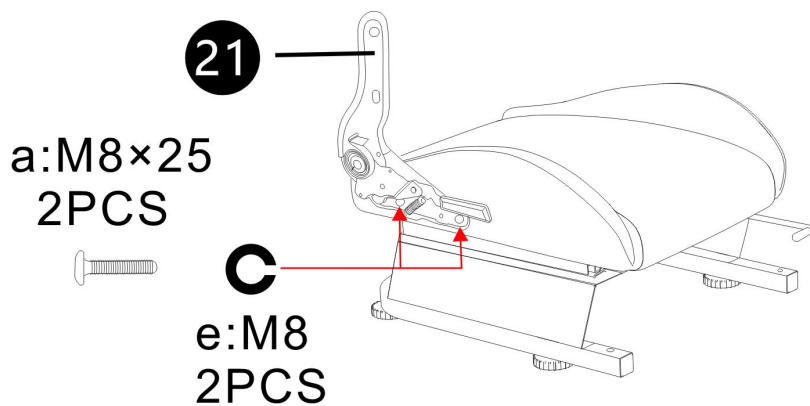
**d:M8×16 4PCS**



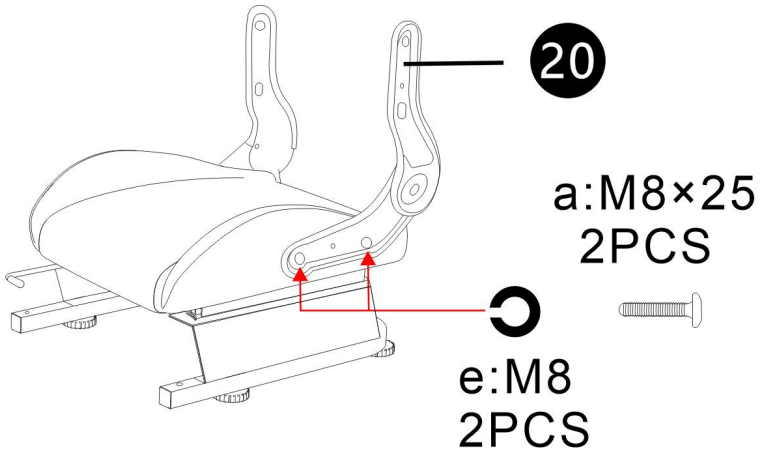
**STEP 11:**



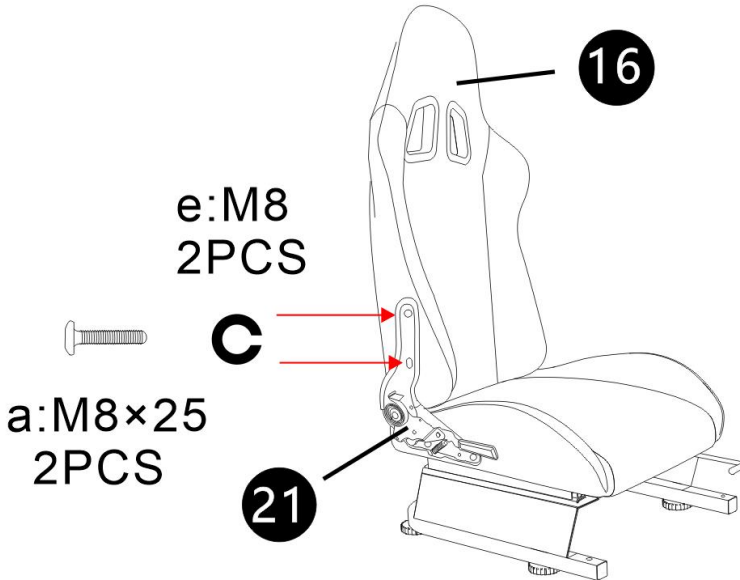
**STEP 12:**



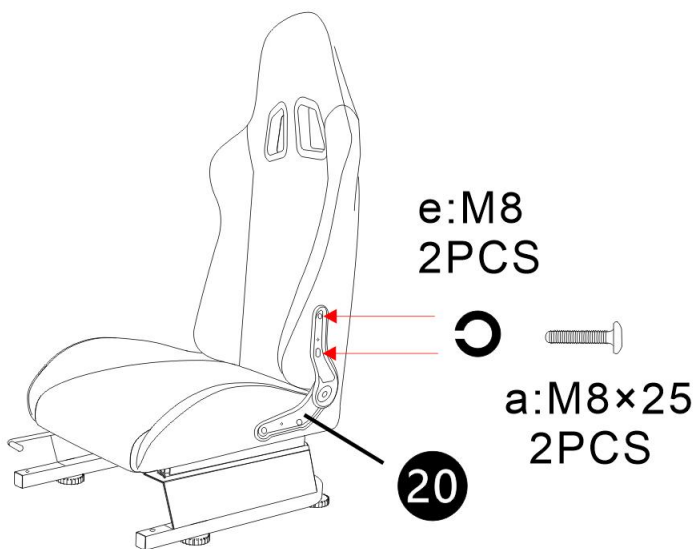
**STEP 13:**



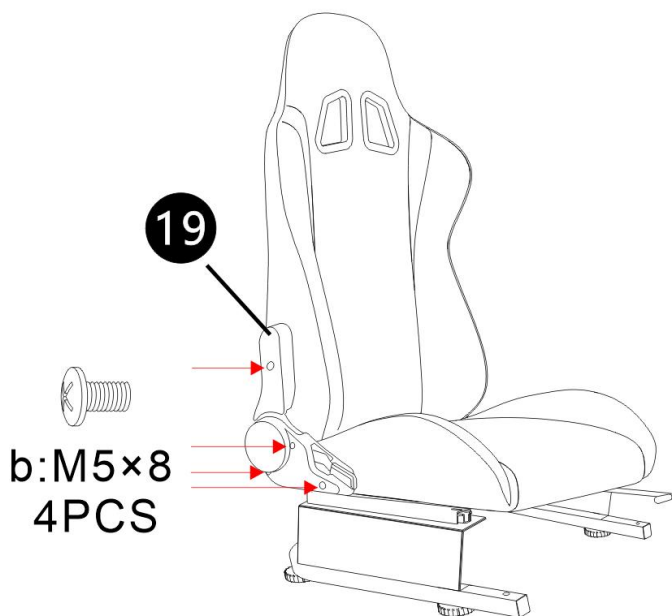
**STEP 14:**



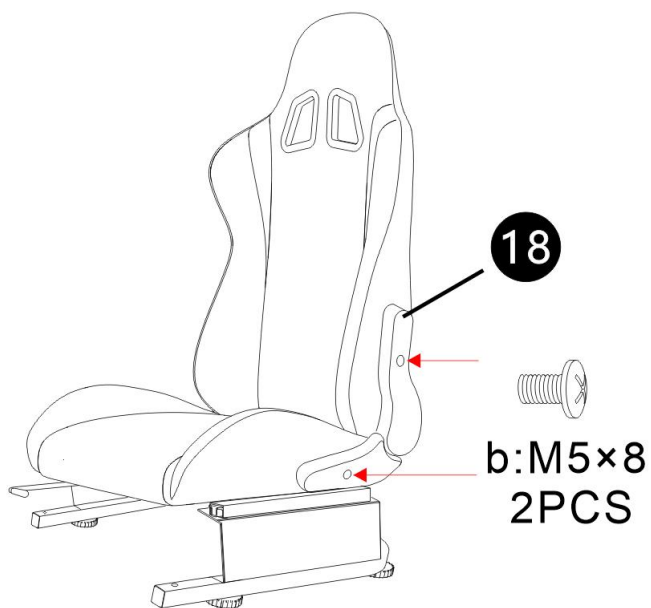
**STEP 15:**



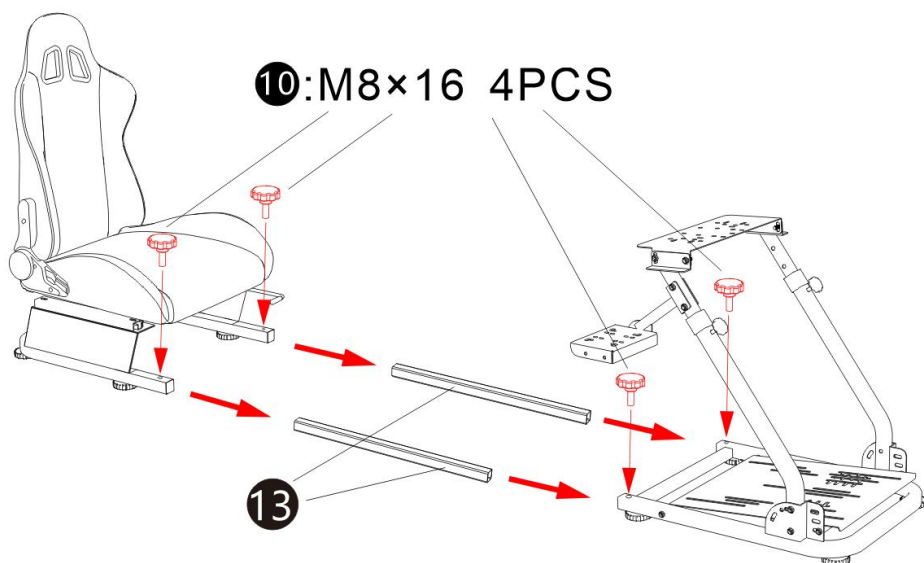
**STEP 16:**



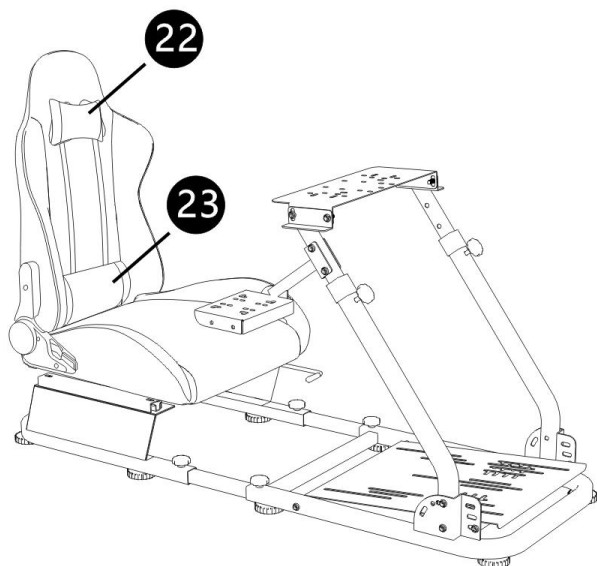
**STEP 17:**



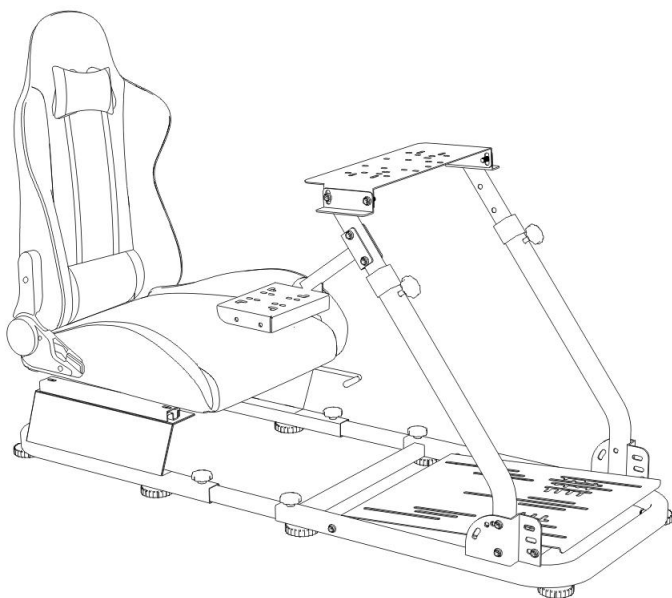
**STEP 18:**



**STEP 19:**



**Complete assembly**



**Manufacturer:** Shanghaimuxinmuyeyouxiangongsi

**Address:** Shuangchenglu 803nong11hao1602A-1609shi, baoshanqu, shanghai 200000 CN.

**Imported to AUS:** SIHAO PTY LTD. 1 ROKEVA STREETEASTWOOD NSW 2122 Australia

**Imported to USA:** Sanven Technology Ltd. Suite 250, 9166 Anaheim Place, Rancho Cucamonga, CA 91730

<b>UK</b>	<b>REP</b>
-----------	------------

YH CONSULTING LIMITED. C/O YH Consulting Limited Office 147, Centurion House, London Road, Staines-upon-Thames, Surrey, TW18 4AX

<b>EC</b>	<b>REP</b>
-----------	------------

E-CrossStu GmbH  
Mainzer Landstr.69,  
60329 Frankfurt am Main.



# **VEVOR**

**Affordable. Reliable. Home Improvement.**

## **SUPPORT DE VOLANT**

**MODÈLE: 6018**

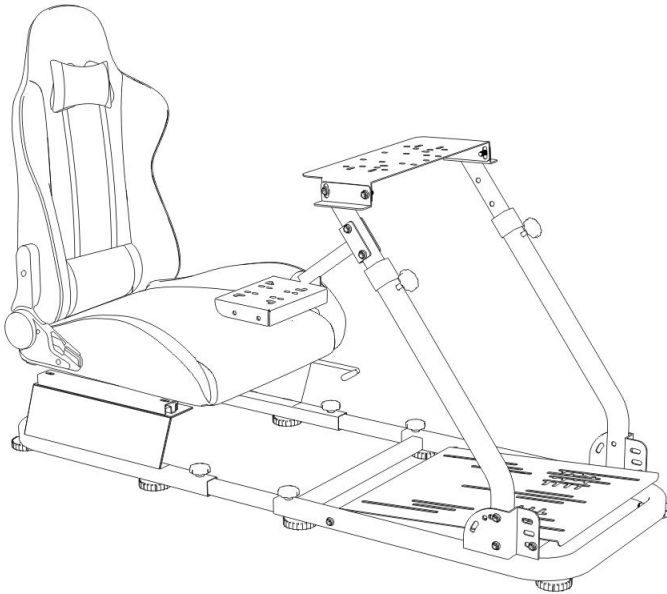


# VEVOR

Affordable. Reliable. Home Improvement.

## STEERING WHEEL STAND

**Modèle : 6018**



Ceci est le mode d'emploi d'origine. Veuillez lire attentivement l'intégralité du manuel avant utilisation. VEVOR se réserve le droit d'interpréter clairement ce manuel d'utilisation. L'apparence du produit dépend du produit que vous avez reçu. Veuillez nous excuser pour les éventuelles mises à jour technologiques ou logicielles.

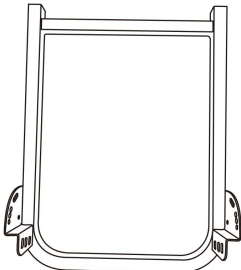
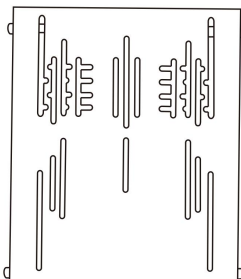



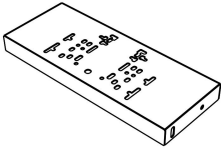

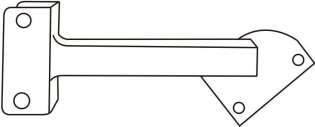
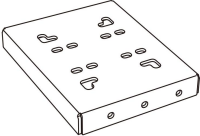
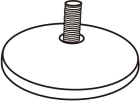
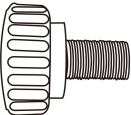
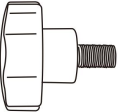
**Avertissement - Pour réduire le risque de blessure, l'utilisateur doit lire attentivement le manuel d'instructions.**

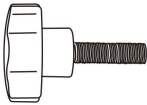
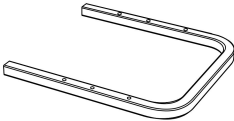

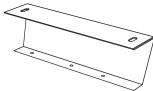
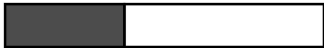

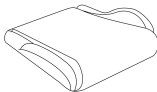
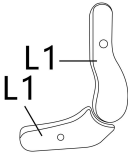
## Attention

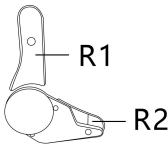


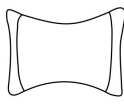
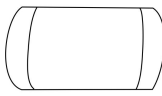
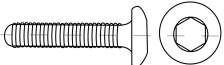
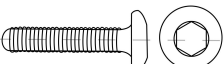
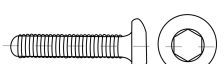
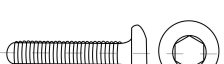
- Veuillez installer et utiliser le support conformément aux instructions .
- Veuillez installer modérément, évitez les fortes vibrations .
- Ne pas conserver dans des conditions humides, à des températures élevées ou dans un endroit poussiéreux .
- La structure du produit est flexible. Portez des gants de travail lors de l'assemblage. Attention aux mains blessées lors de l'installation.
- Les enfants doivent être sous la surveillance d'un adulte lorsqu'ils utilisent le produit.




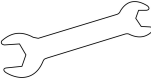
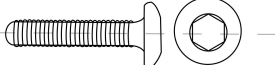
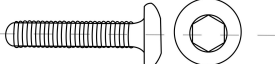

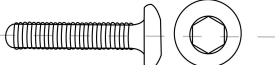

**Conservez le manuel.**

Liste des pièces			
Code	Image	Nom	Qté.
1		Piédestal A	1
2		Panneau de pédale	1

3		Accoudoirs gauche et droit	2
4		Panneau de volant	1
5		Tige télescopique gauche et droite	2
6		Support de levier de vitesses	1
7		Panneau de levier de vitesses	1
8		Pied de nivellement	8
9		Volant étoile M8× 25	2
10		Volant étoile M8×16	6

11		Volant étoile M8×30	2
12		Piédestal B	1
13		Barre transversale fixe du piédestal	2
14		Piédestal C	2
15		Sangle d'arrimage	6
16		dos	1
17		siège	1
18		Cache plastique du dispositif de réglage d'angle - gauche	1

19		Cache plastique du dispositif de réglage d'angle - droit	1
20		fauteuil inclinable gauche	1
21		fauteuil inclinable à droite	1
22		Oreiller appui-tête	1
23		oreiller lombaire	1
UN		Vis M 8×20	4+1
B		Vis M 8×35	2+1
C		Vis M 8×45	2 +1
D		Vis M 6×16	8+12

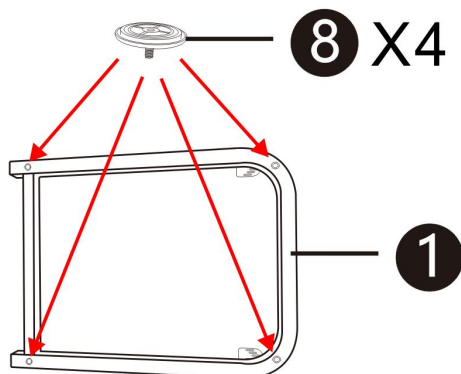
E		Écrou à bride M8	6+1
F		Écrou à bride M6	2+6
G		Clé hexagonale 5 mm	1
H		10-13 ouvert clé	1
je		Vis M 8× 50	2 +1
un		Vis M 8×25	8+1
b		Vis M 5×8	6+1
d		Vis M 8×16	4+1
et		Rondelle élastique M8	8+1

f		Clé polygonale 5 mm	1
---	---	---------------------	---

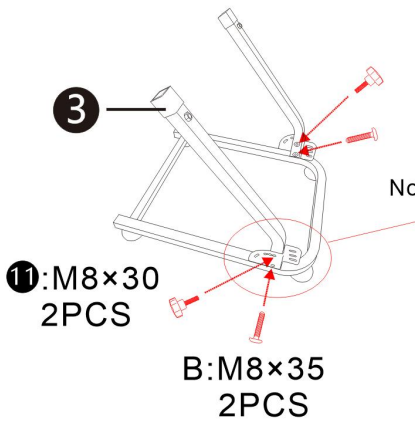
**Remarque :** 12 vis M6\*16 et 6 écrous M6 sont gratuits.

★ Pour la liste des kits de siège et l'installation, veuillez vous référer au manuel de procédure d'installation du siège en pièce jointe.

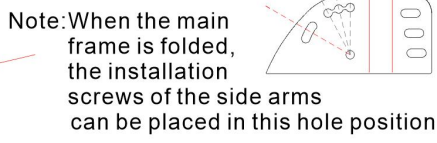
### ÉTAPE 1 :



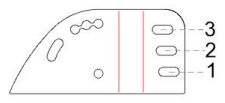
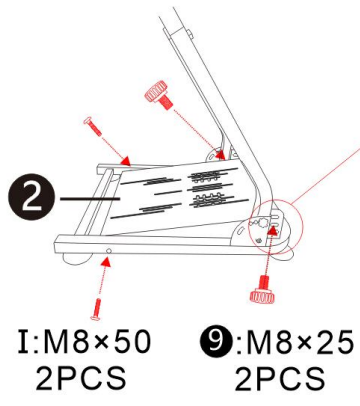
### ÉTAPE 2 :



Note: These 3 holes are used to adjust the angle of side arms . choose the appropriate hole position for installation.



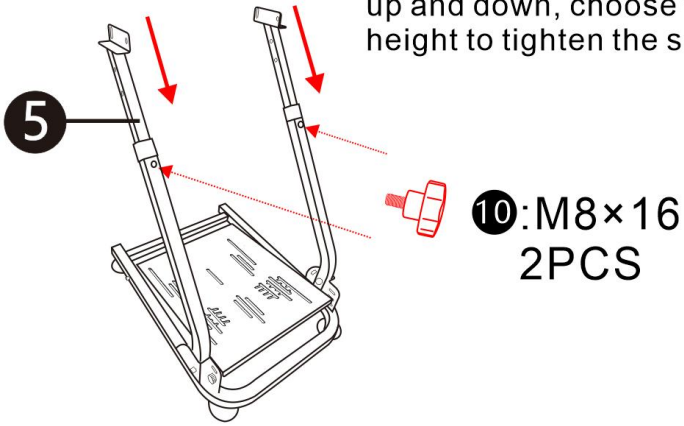
**ÉTAPE 3 :**



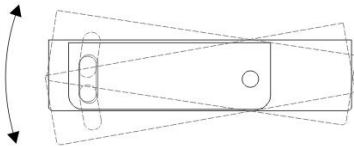
Note: These 3 holes are used to adjust the angle of pedal panel. choose the appropriate hole position for installation.

**ÉTAPE 4 :**

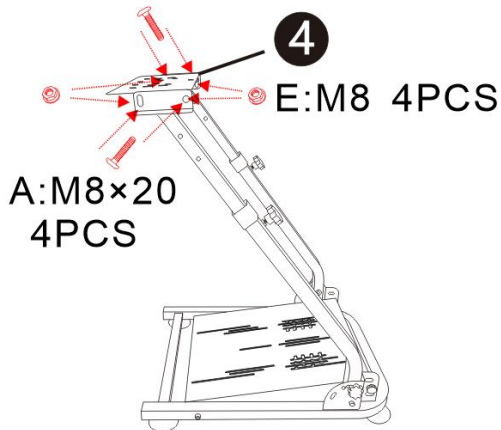
Note: The telescopic rod can be adjusted up and down, choose the appropriate height to tighten the screws.



**ÉTAPE 5 :**

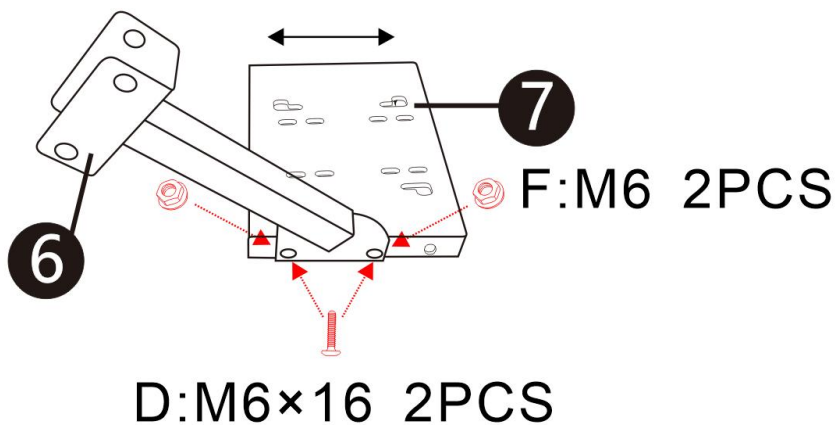


Note: Angle can be adjusted here, choose the appropriate angle for installation.

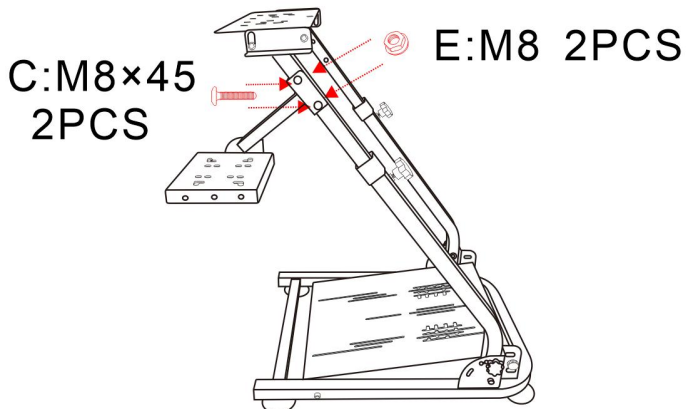


**ÉTAPE 6 :**

Note: The panel can be adjusted front and back.

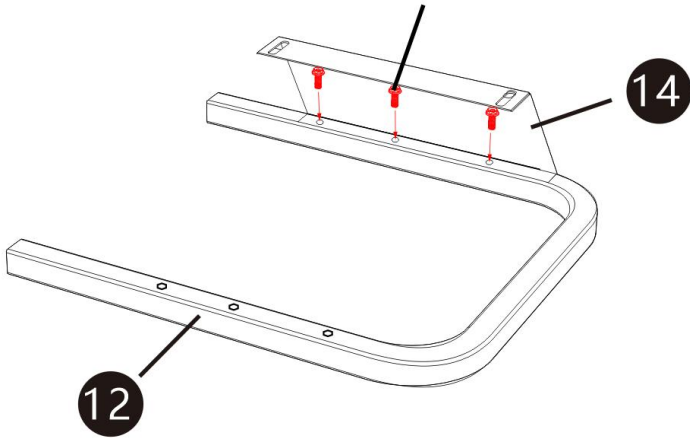


ÉTAPE 7 :



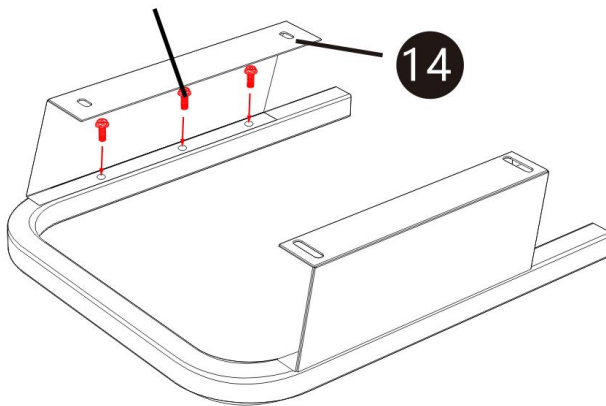
ÉTAPE 8 :

D:M6×16 3PCS



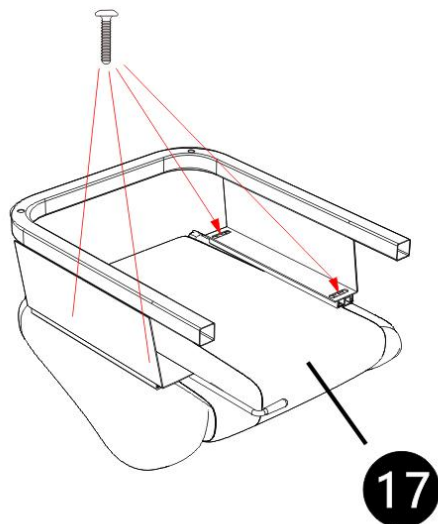
ÉTAPE 9 :

D:M6×16 3PCS

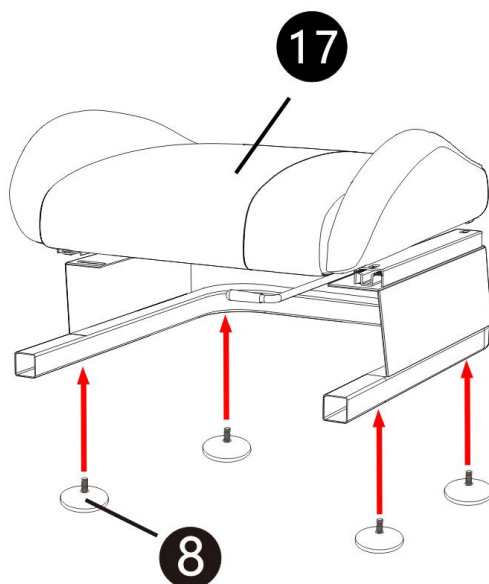


ÉTAPE 10 :

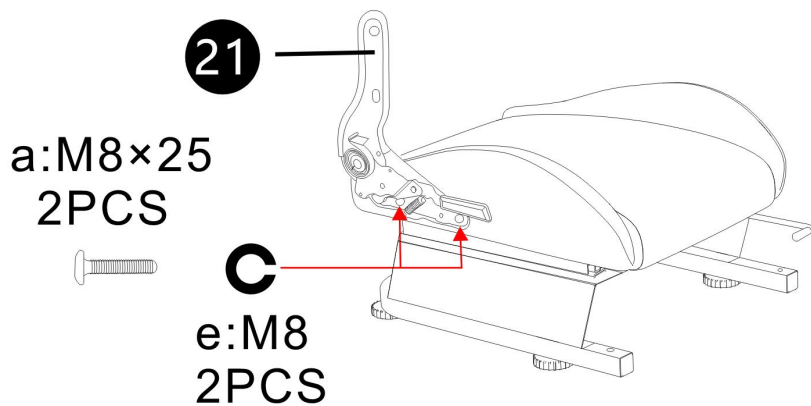
d:M8×16 4PCS



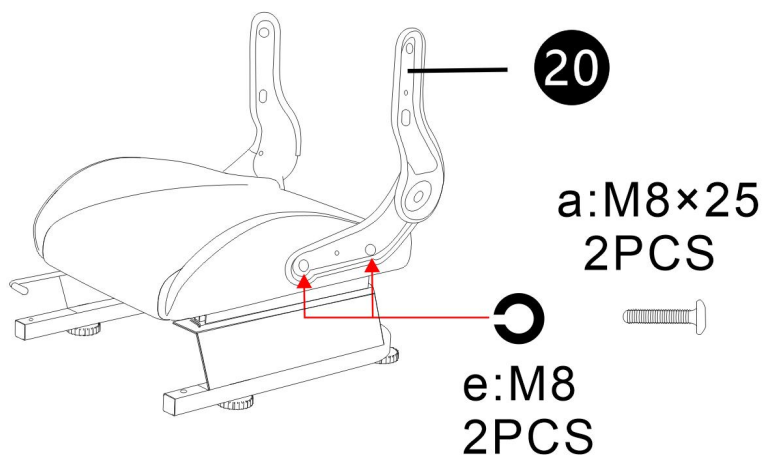
ÉTAPE 1 1:



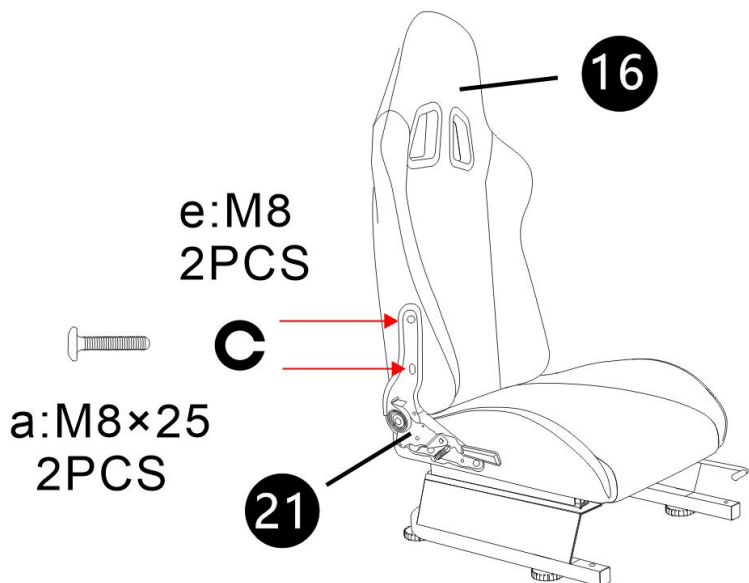
**ÉTAPE 1 2 :**



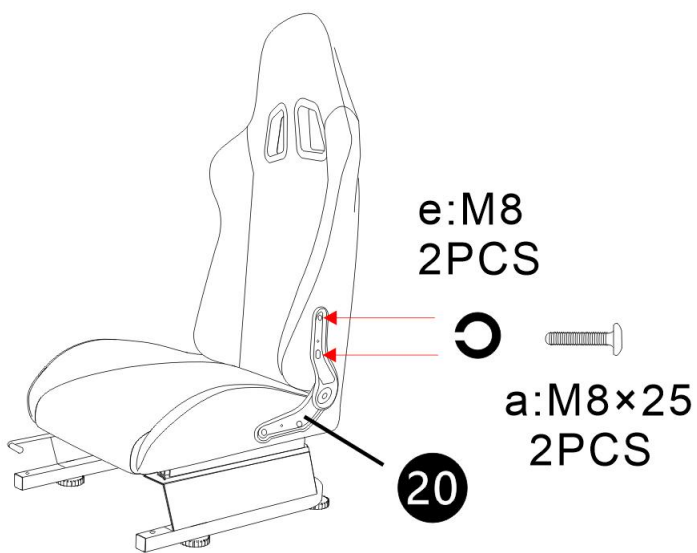
**ÉTAPE 1 3 :**



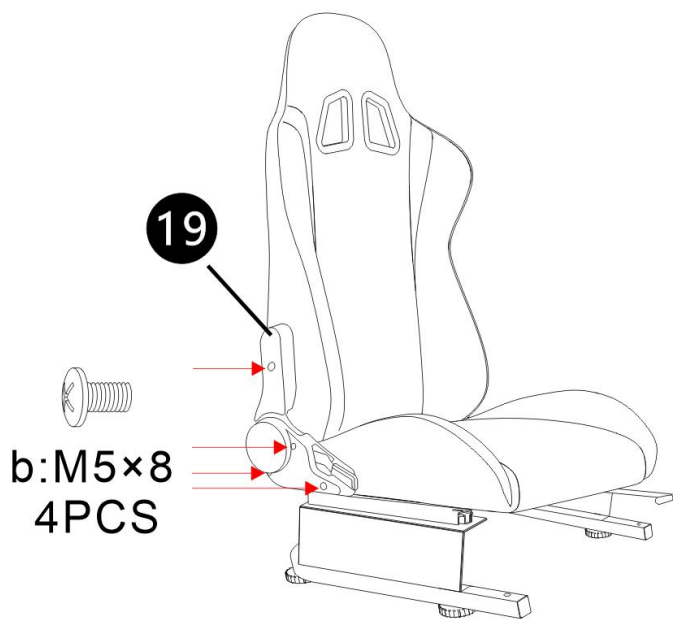
**ÉTAPE 14 :**



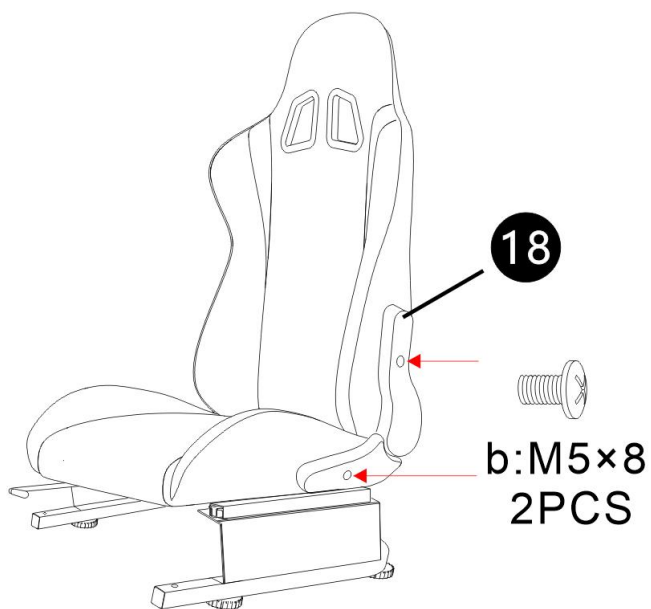
**ÉTAPE 15 :**



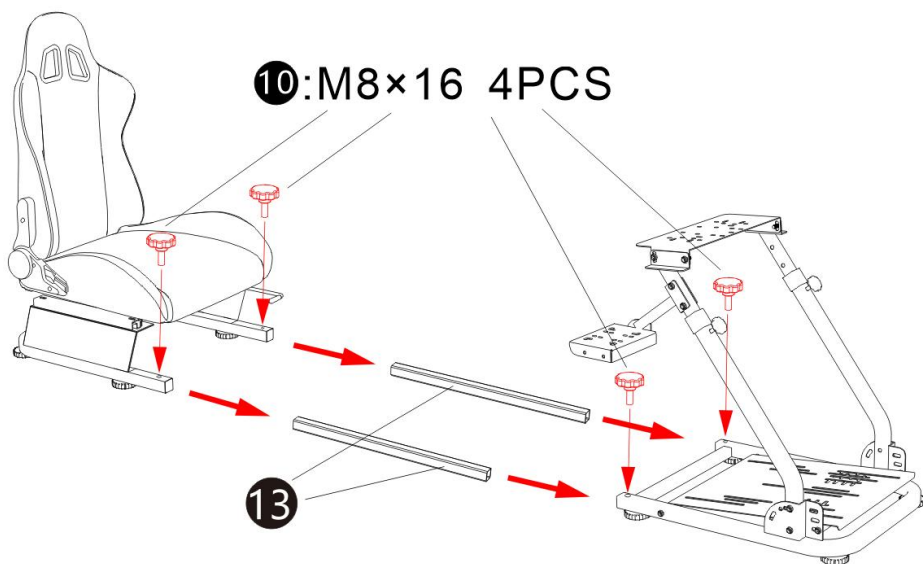
## ÉTAPE 16 :



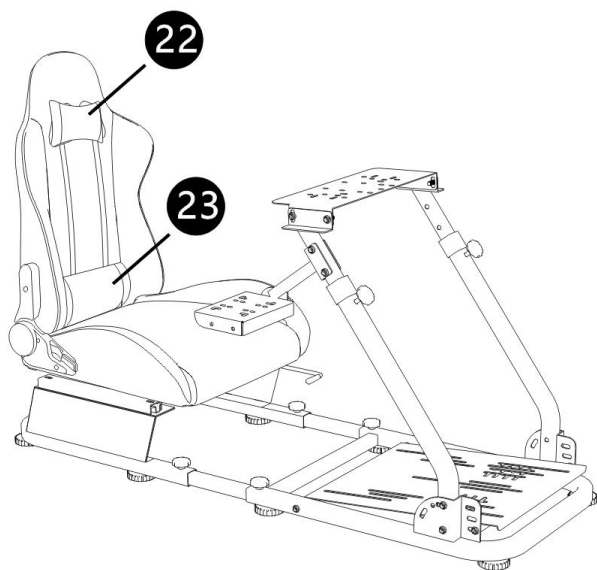
## ÉTAPE 17 :



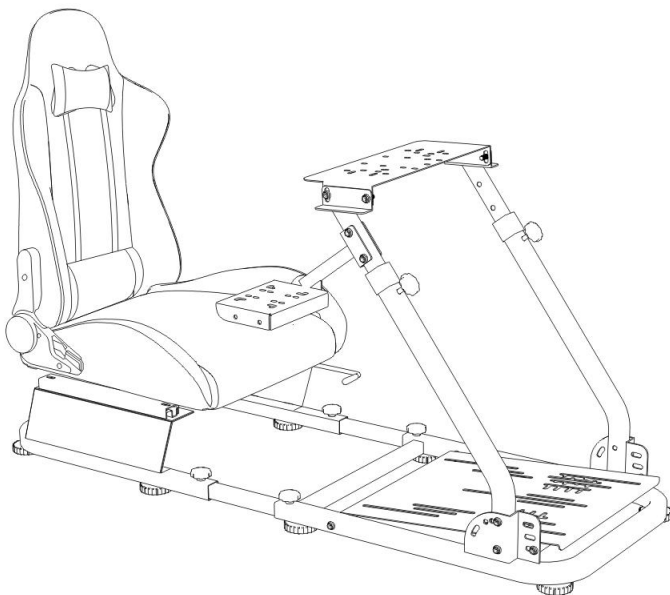
## ÉTAPE 18 :



## ÉTAPE 19 :



## Assemblage complet



**Fabricant :** Shanghai muxin muyeyouxiangongsi

**Adresse :** Shuangchenglu 803nong11hao1602A-1609shi, baoshanqu, Shanghai 200 000 CN.

**Importé en Australie :** SIHAO PTY LTD. 1 ROKEVA STREET, ASTWOOD NSW 2122 Australie

**Importé aux États-Unis :** Sanven Technology Ltd. Suite 250, 9166 Anaheim

Lieu, Rancho Cucamonga, CA 91730

<b>UK</b>	<b>REP</b>
-----------	------------

YH CONSULTING LIMITED. C/O YH Consulting Limited Office 147, Centurion House, London Road, Staines-upon-Thames, Surrey, TW18 4AX

<b>EC</b>	<b>REP</b>
-----------	------------

E-CrossStu GmbH  
Mainzer Landstr.69,  
60329 Frankfurt am Main.





# **VEVOR**

**Affordable. Reliable. Home Improvement.**

## **LENKRADSTÄNDER**

**MODELL: 6018**

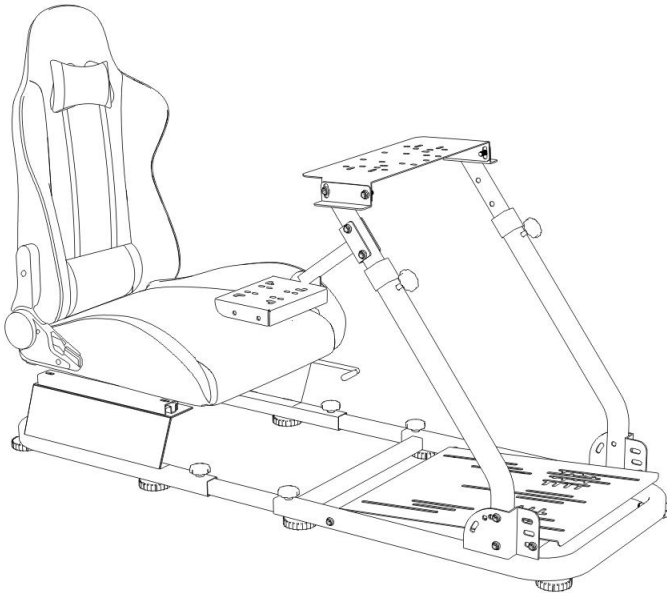


# VEVOR

Affordable. Reliable. Home Improvement.

## STEERING WHEEL STAND

**Modell: 6018**



Dies ist die Originalanleitung. Bitte lesen Sie alle Anweisungen sorgfältig durch, bevor Sie das Gerät in Betrieb nehmen. VEVOR behält sich eine klare Auslegung unserer Bedienungsanleitung vor. Das Aussehen des Produkts hängt vom gelieferten Produkt ab. Bitte haben Sie Verständnis dafür, dass wir Sie nicht erneut über Technologie- oder Software-Updates informieren.

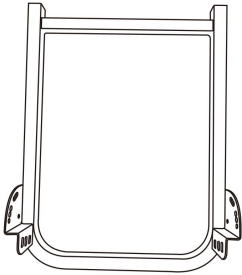
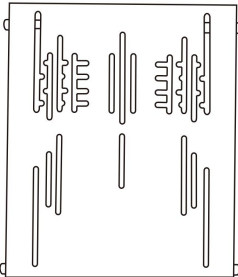



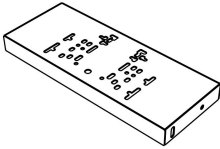

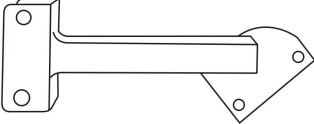
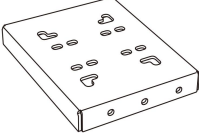
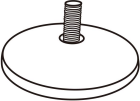
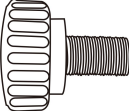
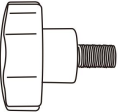
**Warnung:** Um das Verletzungsrisiko zu verringern, muss der Benutzer die Bedienungsanleitung sorgfältig lesen.

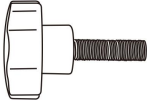
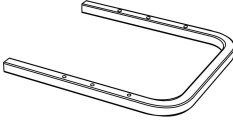

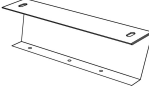


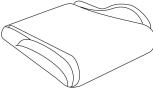
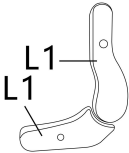
## Aufmerksamkeiten

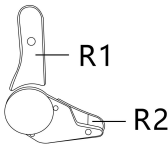


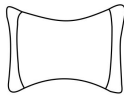
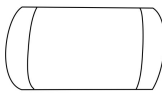
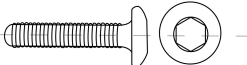
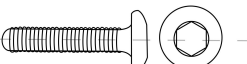
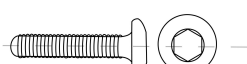
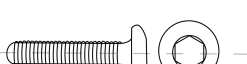
- Bitte installieren und verwenden Sie den Ständer gemäß der Anleitung .
- Bitte maßvoll installieren, starke Vibrationen vermeiden .
- Nicht in feuchter Umgebung, bei hohen Temperaturen oder an einem staubigen Ort aufbewahren .
- Die Produktstruktur ist flexibel. Tragen Sie bei der Montage Arbeitshandschuhe. Achten Sie bei der Installation darauf, dass Ihre Hände nicht verletzen.
- Kinder sollten bei der Verwendung des Produkts unter Aufsicht von Erwachsenen stehen.




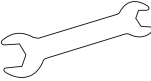
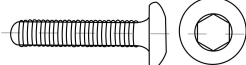
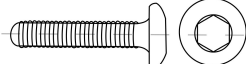

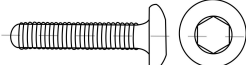

**Bewahren Sie das Handbuch auf.**

<b>Teilleiste</b>			
<b>Code</b>	<b>Bild</b>	<b>Name</b>	<b>MENGE.</b>
1		Sockel A	1
2		Pedalplatte	1

3		Linke und rechte Armlehnen	2
4		Lenkradverkleidung	1
5		Linke und rechte Teleskopstange	2
6		Schalthebelhalter	1
7		Schalthebelverkleidung	1
8		Nivellierfuß	8
9		Sternhandrad M8× 25	2
10		Sternhandrad M8×16	6

11		Sternhandrad M8x30	2
12		Sockel B	1
13		Feste Querstrebe am Sockel	2
14		Sockel C	2
15		Zurrurgurt	6
16		zurück	1
17		Sitz	1
18		Winkerversteller Kunststoffabdeckung - links	1

19		Winkelversteller Kunststoffabdeckung - rechts	1
20		Liegestuhl links	1
21		Liegestuhl-rechts	1
22		Kopfstützenkissen	1
23		Lendenkissen	1
A		Schraube M 8×20	4+1
B		Schraube M 8×35	2+1
C		Schraube M 8×45	2 +1
D		Schraube M 6×16	8+12

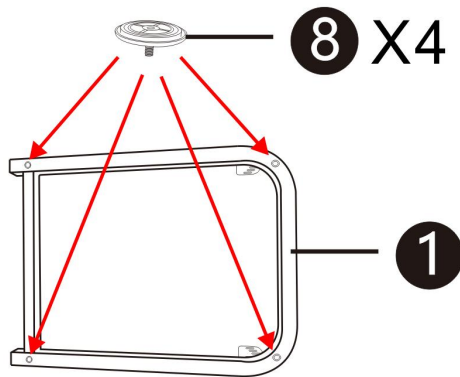
E		Flanschmutter M8	6+1
F		Flanschmutter M6	2+6
G		Sechskantschlüssel 5mm	1
H		10-13 offenes Ende Schlüssel	1
ICH		Schraube M 8× 50	2 +1
A		Schraube M 8×25	8+1
B		Schraube M 5×8	6+1
D		Schraube M 8×16	4+1
e		Federscheibe M8	8+1

F		Ringschlüssel 5mm	1
---	---	----------------------	---

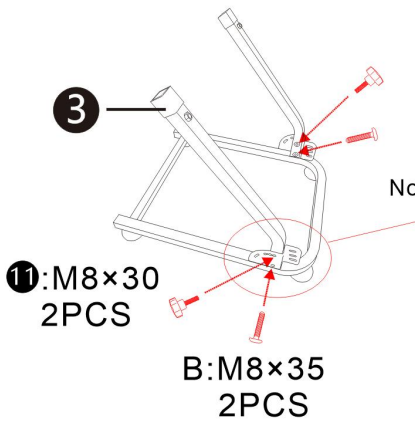
**Hinweis:** 12 Schrauben M6\*16 und 6 Muttern M6 sind im Lieferumfang enthalten.

★ Eine Liste der Sitzbausätze und der Installation finden Sie im Anhang des Handbuchs zur Sitzinstallation.

**SCHRITT 1 :**

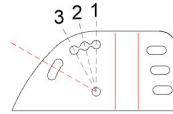


**SCHRITT 2:**

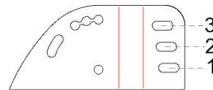
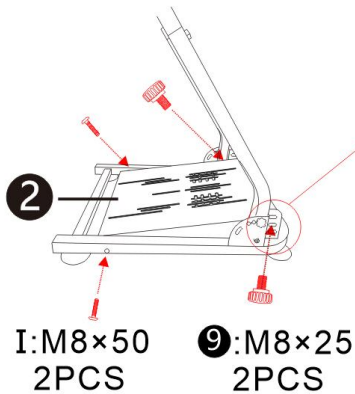


Note: These 3 holes are used to adjust the angle of side arms. choose the appropriate hole position for installation.

Note: When the main frame is folded, the installation screws of the side arms can be placed in this hole position



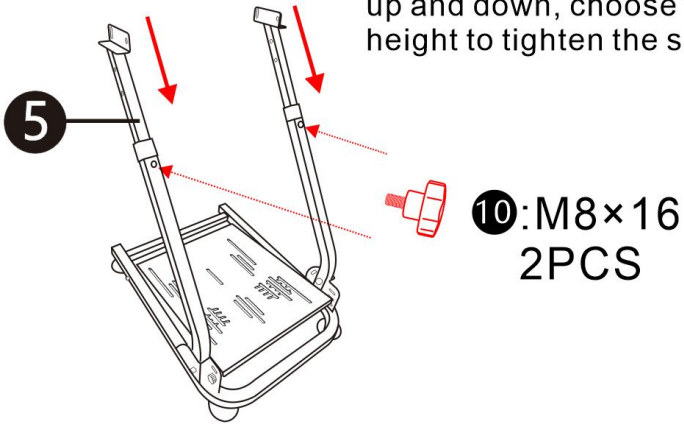
**SCHRITT 3:**



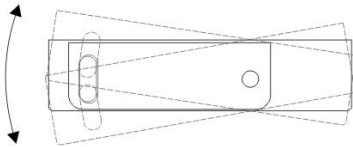
Note: These 3 holes are used to adjust the angle of pedal panel. choose the appropriate hole position for installation.

**SCHRITT 4:**

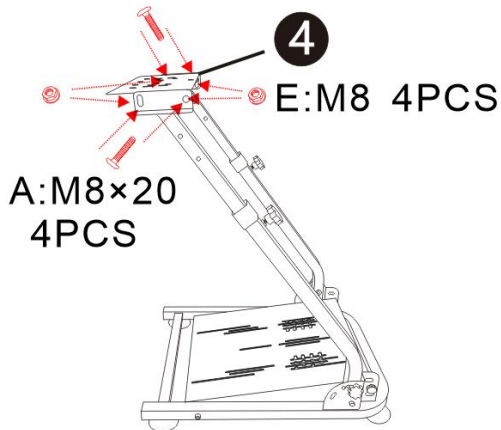
Note: The telescopic rod can be adjusted up and down, choose the appropriate height to tighten the screws.



**SCHRITT 5:**

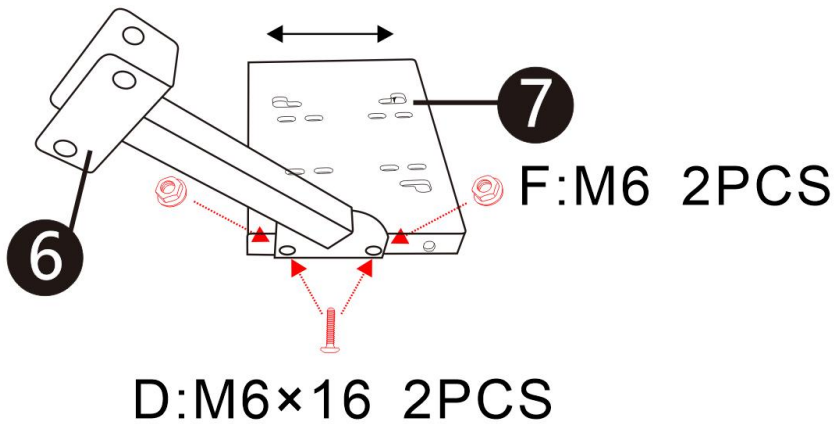


Note: Angle can be adjusted here, choose the appropriate angle for installation.

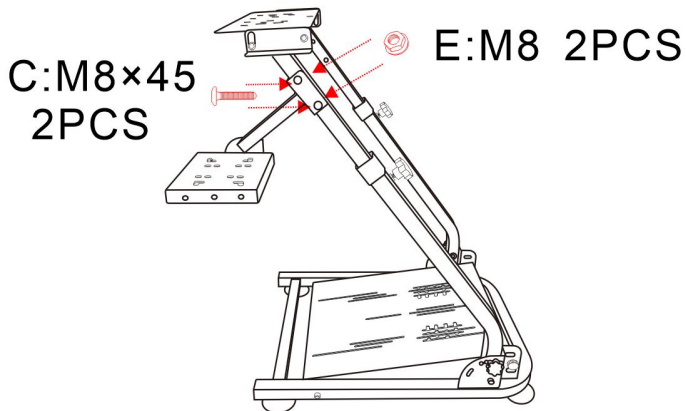


**SCHRITT 6:**

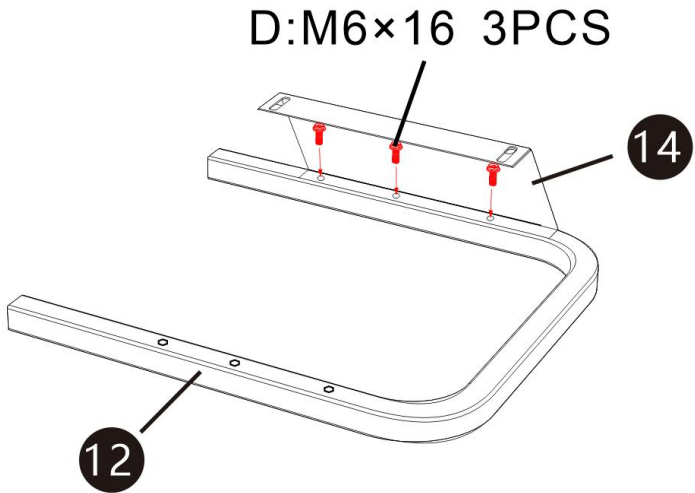
Note: The panel can be adjusted front and back.



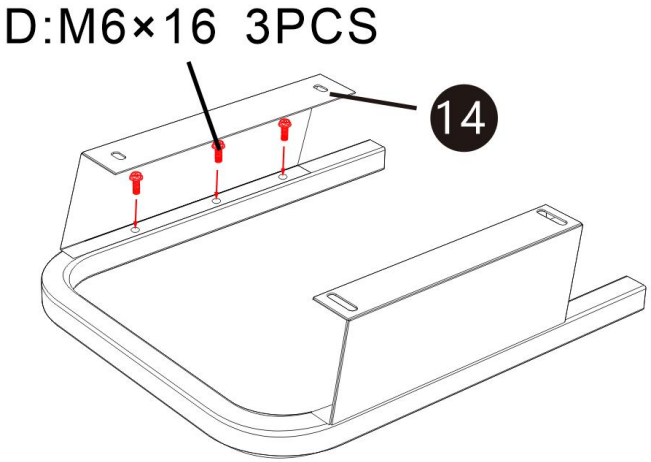
**SCHRITT 7:**



**SCHRITT 8:**

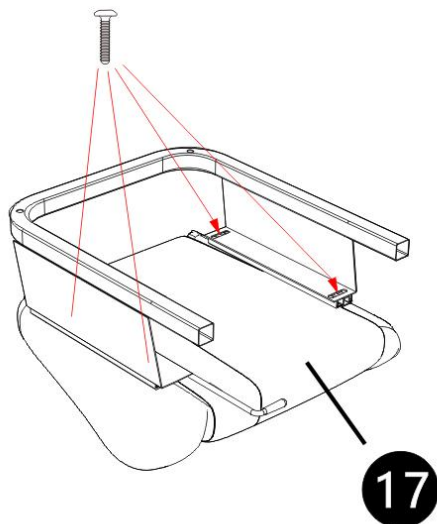


**SCHRITT 9:**

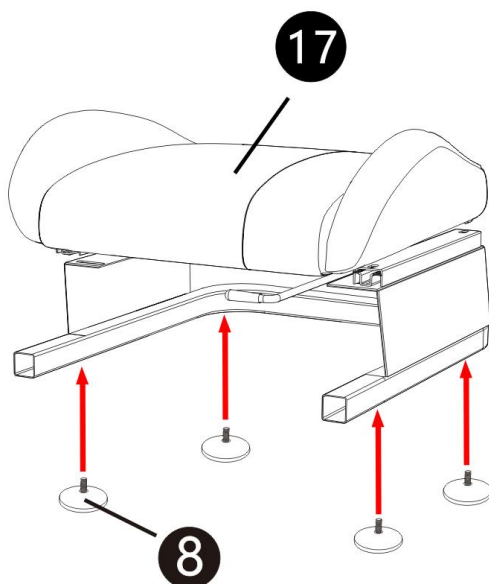


**SCHRITT 10:**

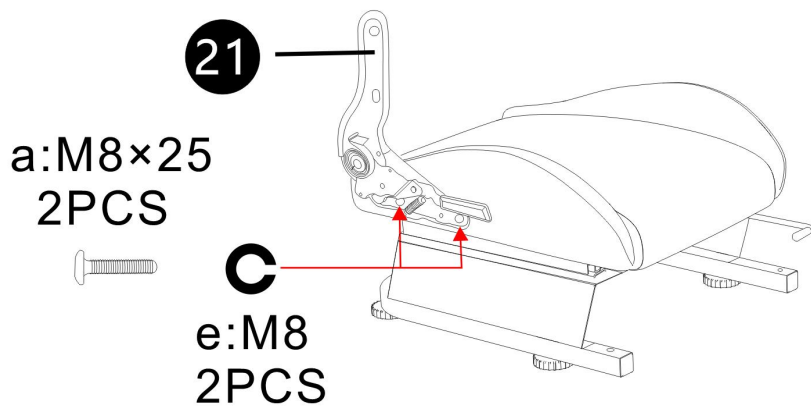
d:M8×16 4PCS



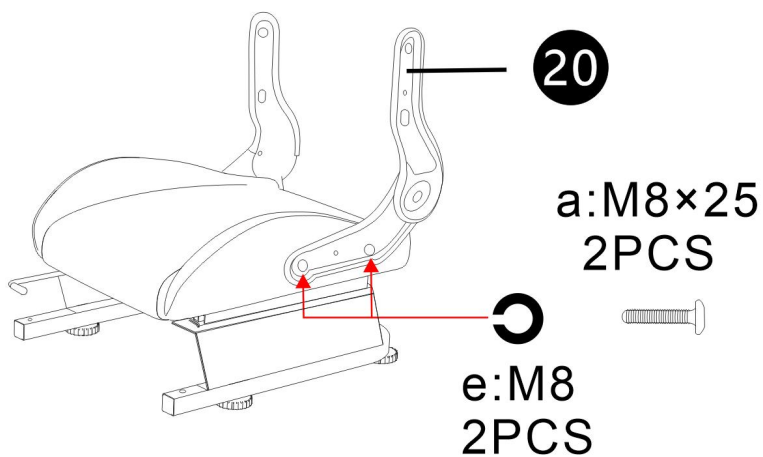
SCHRITT 1 1:



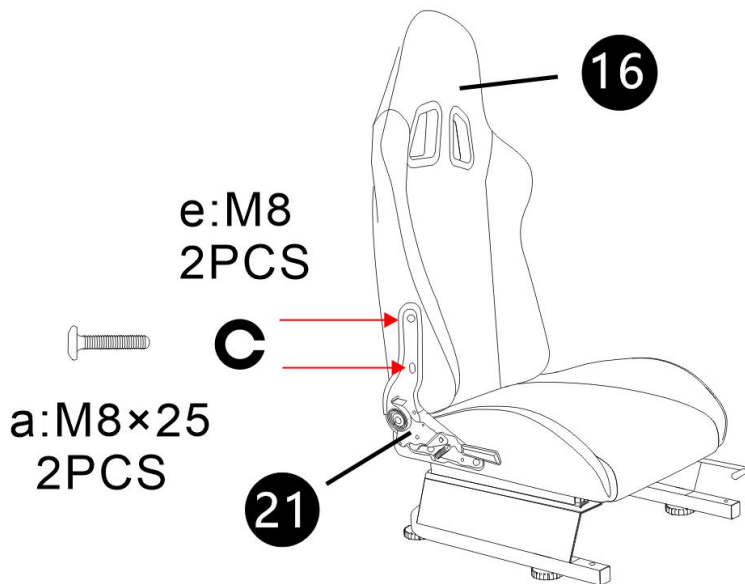
**SCHRITT 1 2:**



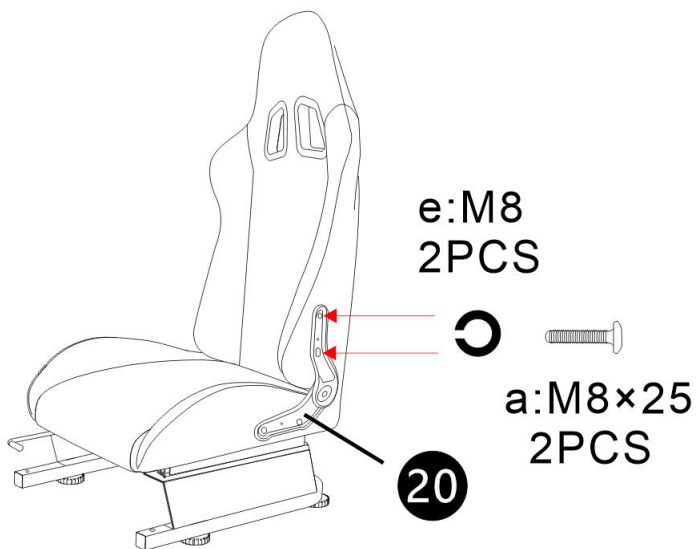
**SCHRITT 1 3:**



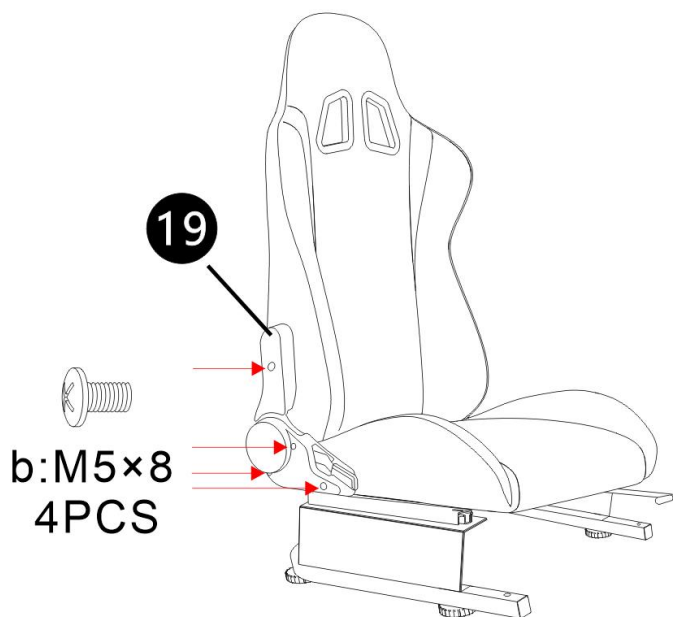
**SCHRITT 14:**



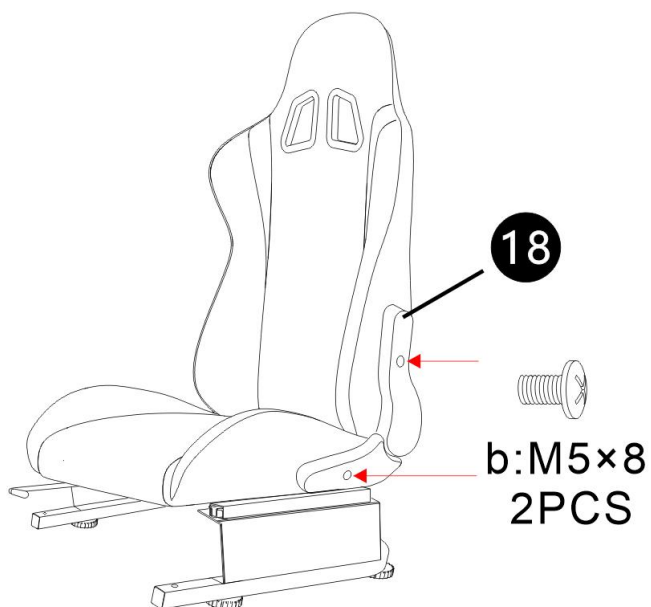
**SCHRITT 1 5:**



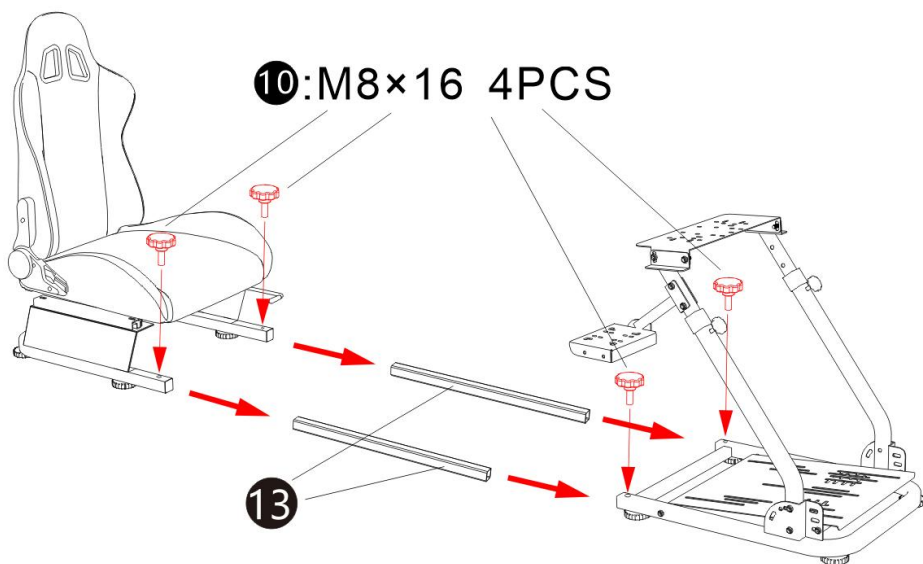
## SCHRITT 1 6:



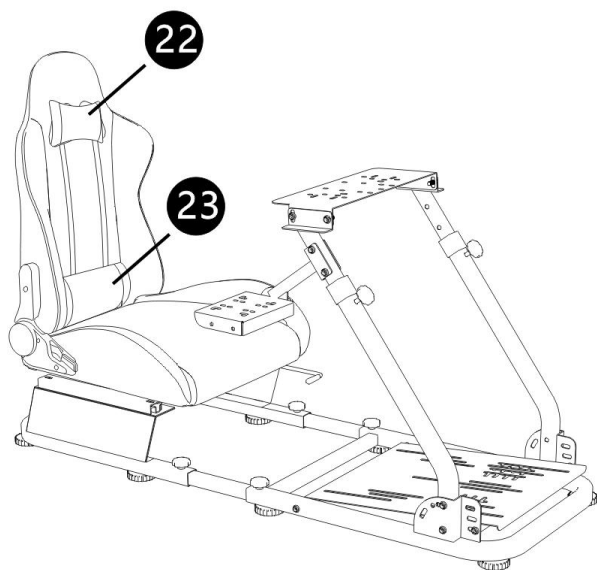
## SCHRITT 1 7:



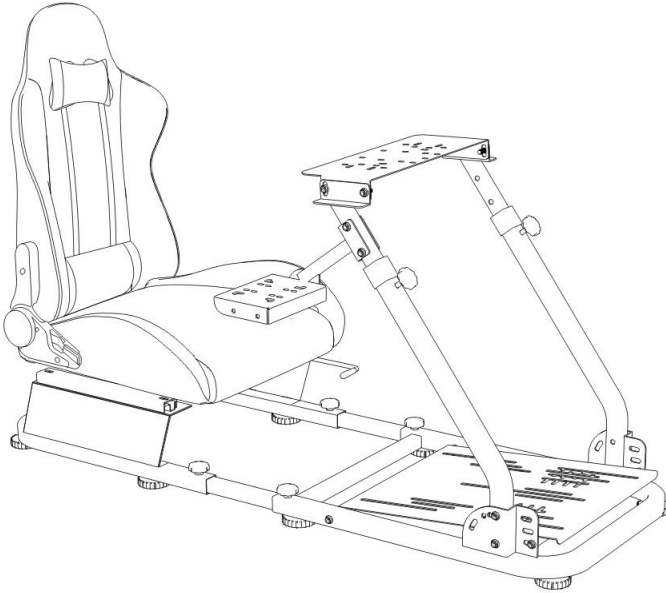
## SCHRITT 1 8:



## SCHRITT 1 9:



## Komplettmontage



**Hersteller:** Shanghaimuxinmuyeyouxiangongsi

**Adresse:** Shuangchenglu 803nong11hao1602A-1609shi, baoshanqu, Shanghai 200000 CN.

**Importiert nach AUS:** SIHAO PTY LTD. 1 ROKEVA STREETEASTWOOD NSW 2122 Australien

**Importiert in die USA:** Sanven Technology Ltd. Suite 250, 9166 Anaheim Place, Rancho Cucamonga, CA 91730

<b>UK</b>	<b>REP</b>	YH CONSULTING LIMITED. C/O YH Consulting Limited Office 147, Centurion House, London Road, Staines-upon-Thames, Surrey, TW18 4AX
-----------	------------	--

<b>EC</b>	<b>REP</b>	E-CrossStu GmbH Mainzer Landstr.69, 60329 Frankfurt am Main.
-----------	------------	--



# **VEVOR**

**Affordable. Reliable. Home Improvement.**

## **SUPPORTO PER VOLANTE**

**MODELLO: 6018**

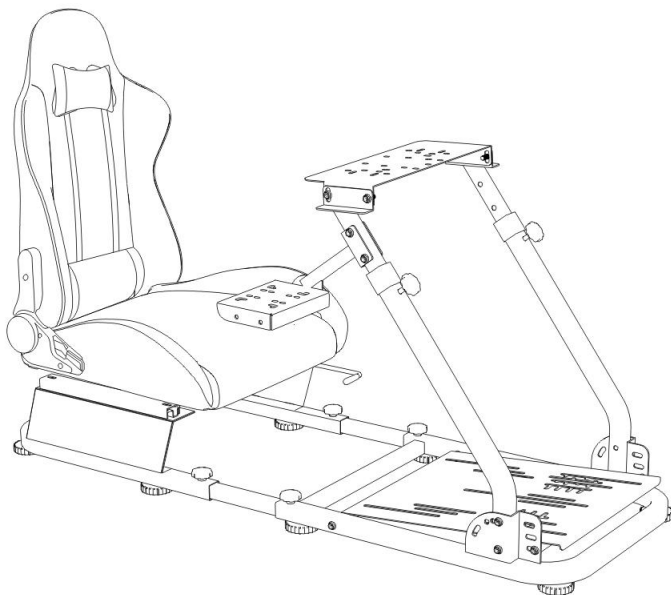


# VEVOR

Affordable. Reliable. Home Improvement.

## STEERING WHEEL STAND

**Modello: 6018**



Queste sono le istruzioni originali, si prega di leggere attentamente tutte le istruzioni del manuale prima dell'uso. VEVOR si riserva la piena interpretazione del proprio manuale utente. L'aspetto del prodotto dipenderà dal prodotto ricevuto. Vi preghiamo di scusarci se non vi informeremo più in caso di aggiornamenti tecnologici o software sul nostro prodotto.

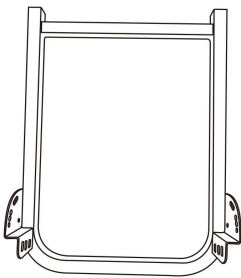
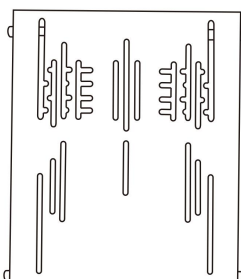


**Avvertenza:** per ridurre il rischio di lesioni, l'utente deve leggere attentamente il manuale di istruzioni.

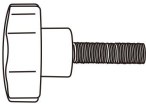
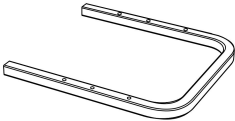

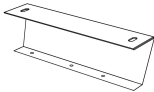
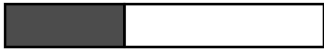

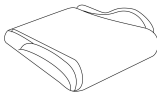
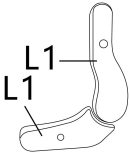
## Attenzioni

- Installare e utilizzare il supporto seguendo le istruzioni .
- Si prega di installare con moderazione, evitando forti vibrazioni .
- Non conservare in condizioni di umidità, temperature elevate o luoghi polverosi .
- La struttura del prodotto è flessibile, indossare guanti da lavoro durante il montaggio. Fare attenzione a non farsi male alle mani durante l'installazione.
- I bambini devono utilizzare il prodotto sotto la supervisione di un adulto.




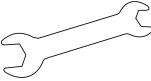
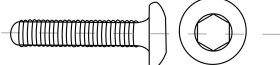
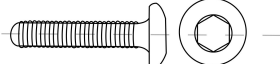

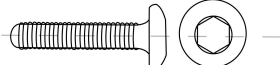

**Salva il manuale.**

<b>Elenco delle parti</b>			
<b>Codice</b>	<b>Immagine</b>	<b>Nome</b>	<b>QUANTITÀ</b>
1		Pedistallo A	1
2		Pannello dei pedali	1

3		Braccioli sinistro e destro	2
4		Pannello del volante	1
5		Asta telescopica sinistra e destra	2
6		Supporto leva cambio	1
7		Pannello della leva del cambio	1
8		Piedino di livellamento	8
9		Volantino a stella M8× 25	2
10		Volantino a stella M8× 16	6

11		Volantino a stella M8×30	2
12		Piedistallo B	1
13		Traversa fissa del pedistallo	2
14		Piedistallo C	2
15		Cinghia di ancoraggio	6
16		Indietro	1
17		posto a sedere	1
18		Coperchio in plastica del regolatore dell'angolo - sinistro	1

19		Coperchio in plastica del regolatore dell'angolo - destro	1
20		poltrona reclinabile sinistra	1
21		poltrona reclinabile destra	1
22		Cuscino poggiatesta	1
23		Cuscino lombare	1
UN		Vite M 8x20	4+1
B		Vite M 8x35	2+1
C		Vite M 8x45	2 +1
D		Vite M 6x16	8+12

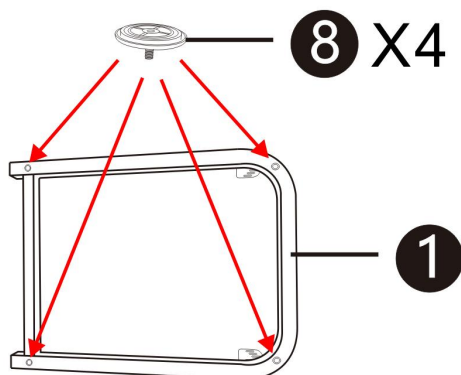
E		Dado flangiato M8	6+1
F		Dado flangiato M6	2+6
G		Chiave esagonale da 5 mm	1
H		10-13 aperto chiave inglese	1
IO		Vite M 8× 50	2 +1
UN		Vite M 8×25	8+1
B		Vite M 5×8	6+1
D		Vite M 8×16	4+1
e		Rondella elastica M8	8+1

F		Chiave ad anello da 5 mm	1
---	---	--------------------------	---

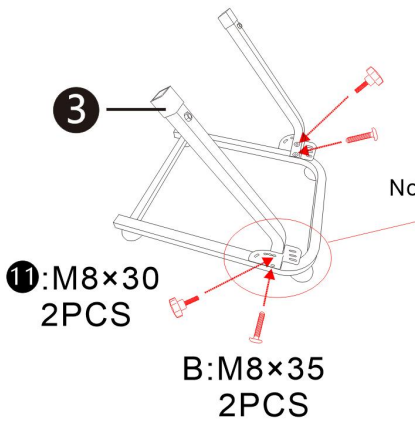
**Nota:** 12 viti M6\*16 e 6 dadi M6 sono gratuiti.

★ Per l'elenco dei kit di sedili e l'installazione, fare riferimento al manuale di istruzioni per l'installazione dei sedili allegato.

**PASSO 1 :**

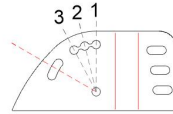


**PASSO 2:**

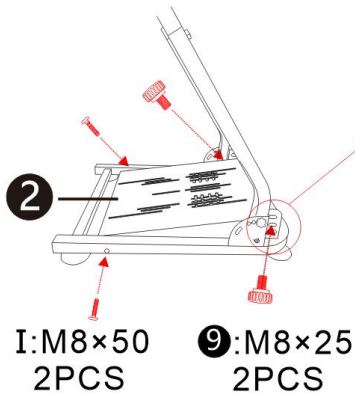


Note: These 3 holes are used to adjust the angle of side arms. choose the appropriate hole position for installation.

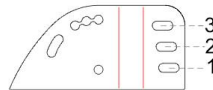
Note: When the main frame is folded, the installation screws of the side arms can be placed in this hole position



**PASSO 3:**

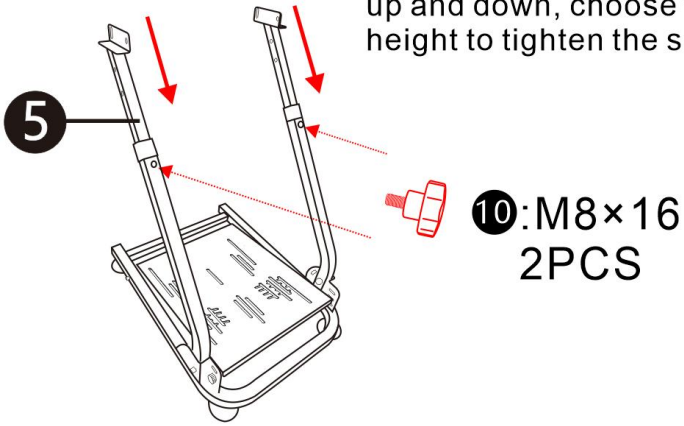


Note: These 3 holes are used to adjust the angle of pedal panel. choose the appropriate hole position for installation.

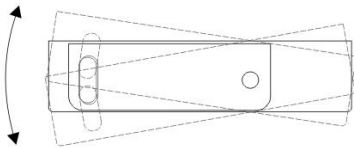


**PASSO 4:**

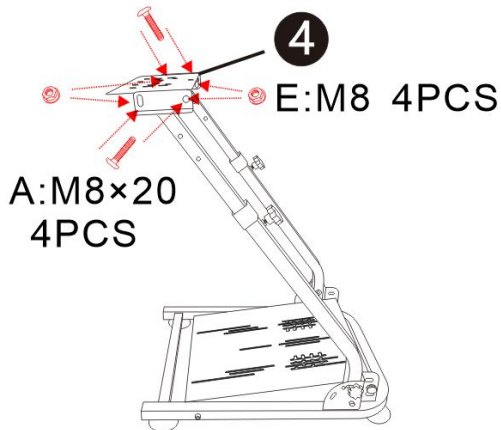
Note: The telescopic rod can be adjusted up and down, choose the appropriate height to tighten the screws.



**PASSO 5:**

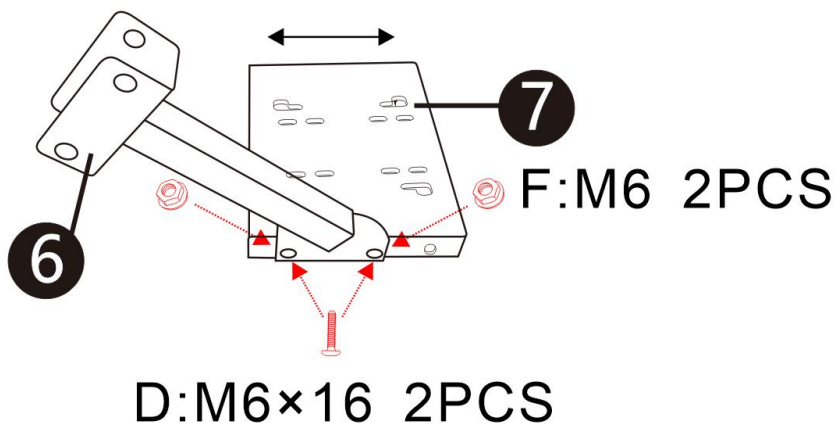


Note: Angle can be adjusted here, choose the appropriate angle for installation.

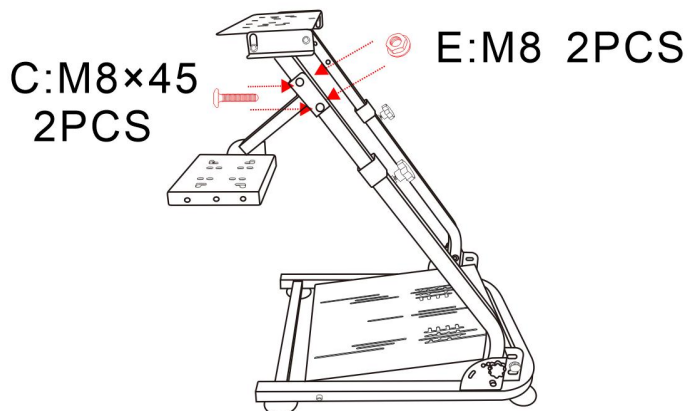


**PASSO 6:**

Note: The panel can be adjusted front and back.

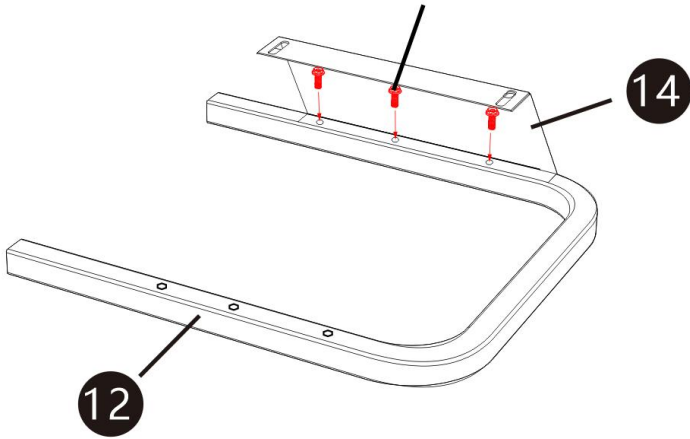


**PASSO 7:**



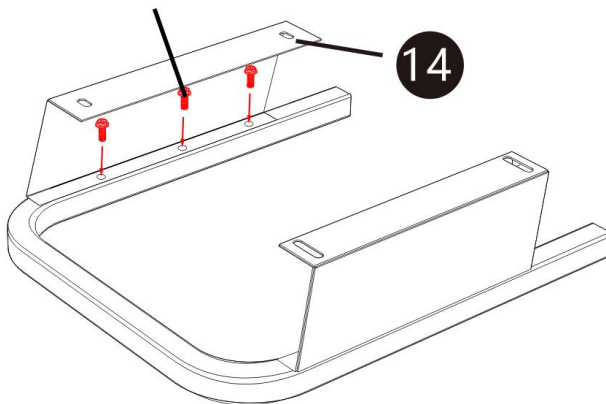
**PASSO 8:**

D:M6×16 3PCS



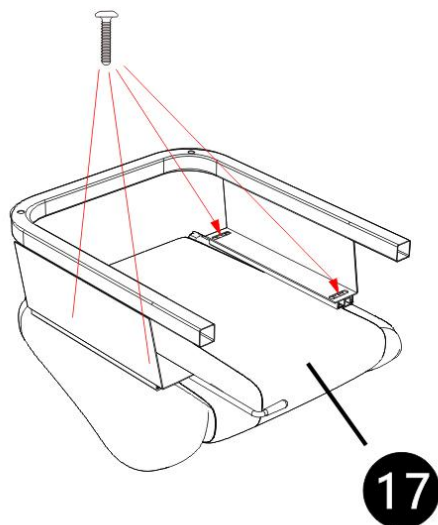
**PASSO 9:**

D:M6×16 3PCS

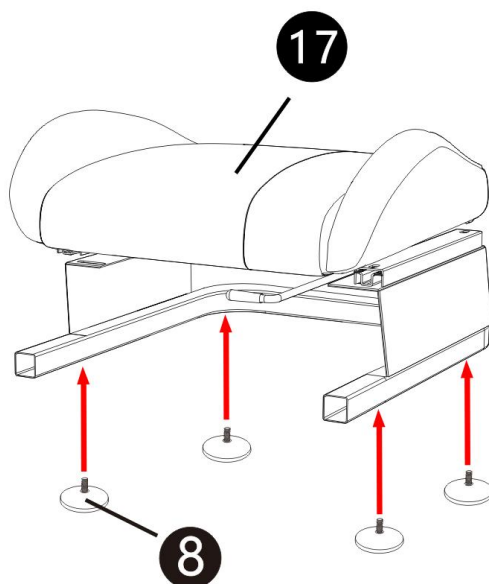


**PASSO 10:**

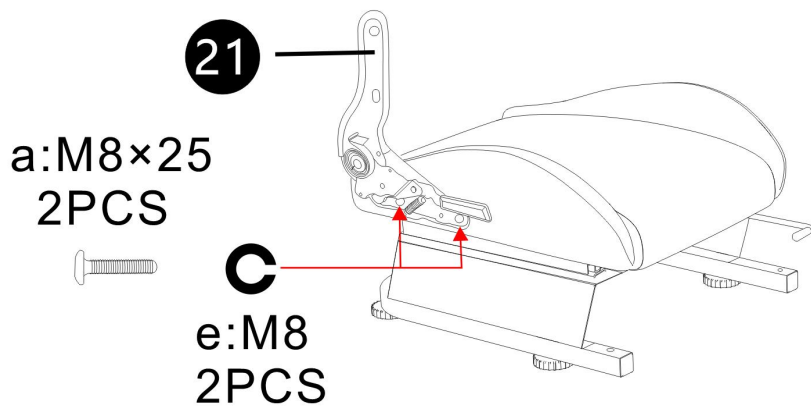
d:M8×16 4PCS



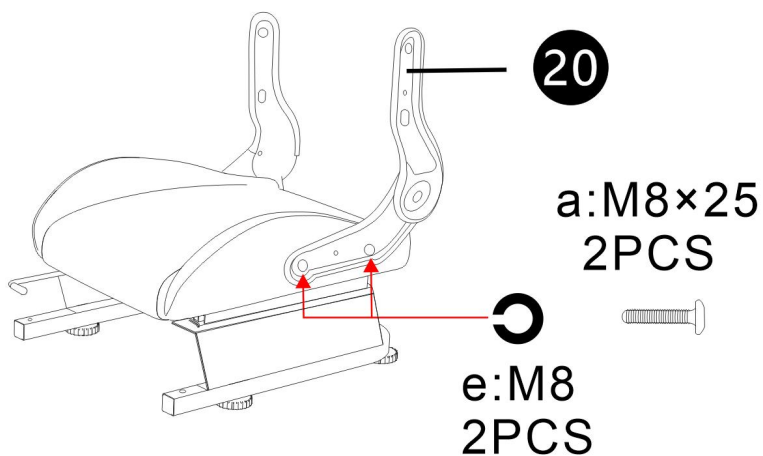
PASSO 1 1:



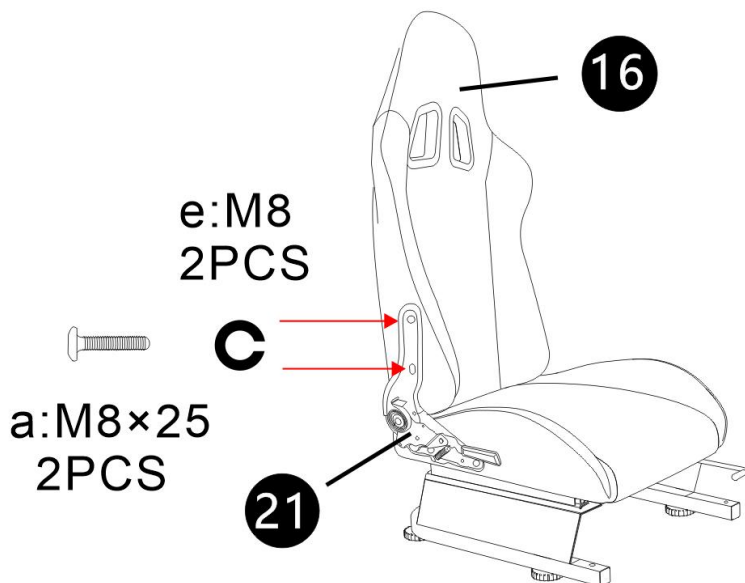
**PASSO 1 2:**



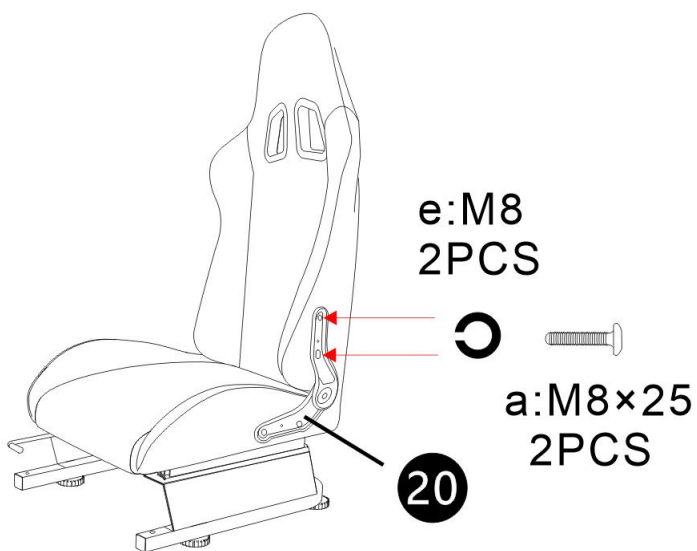
**PASSO 1 3:**



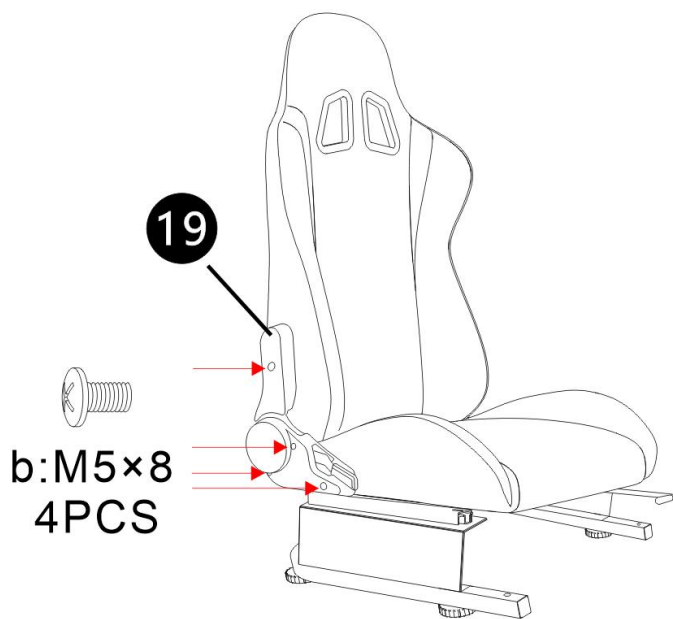
**PASSO 14:**



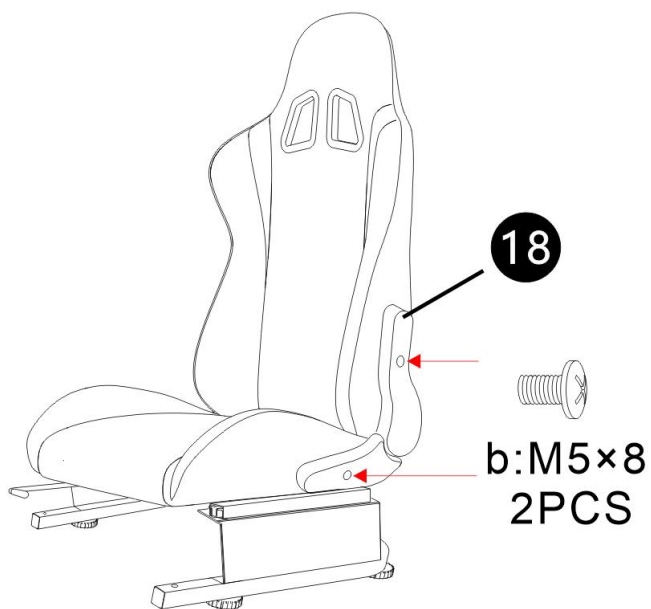
**PASSO 1 5:**



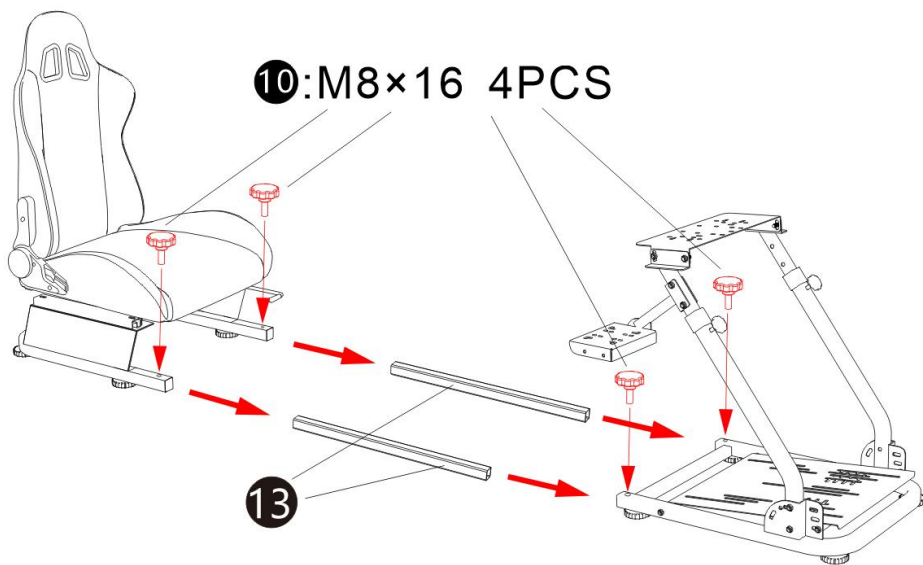
**PASSO 1 6:**



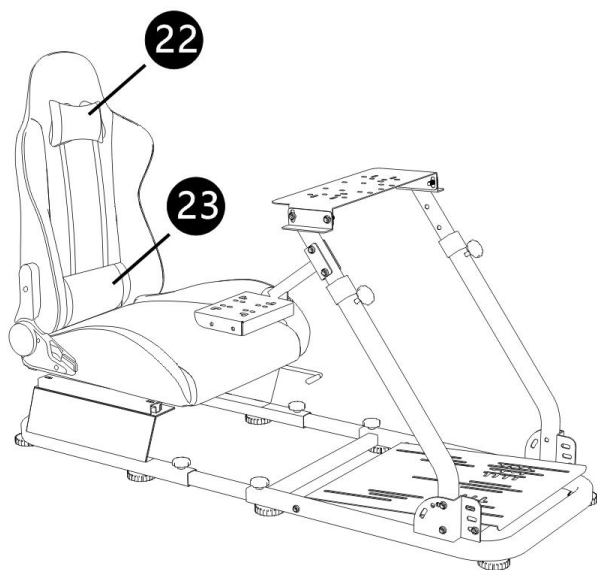
**PASSO 1 7:**



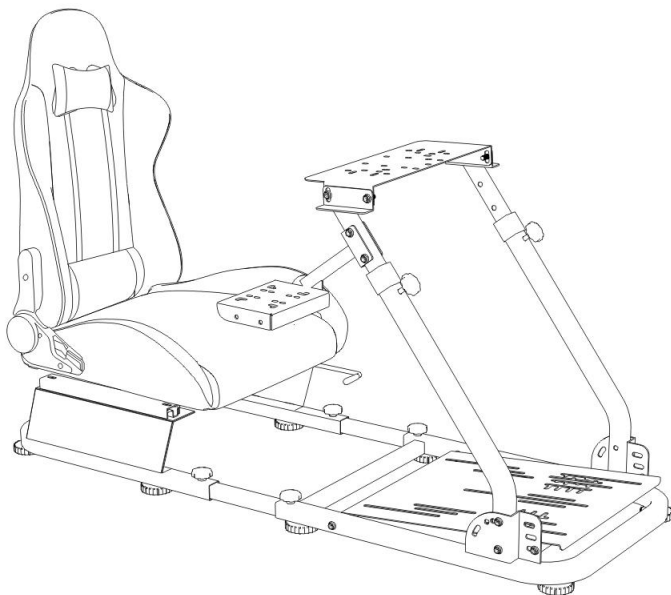
**PASSO 1 8:**



**PASSO 1 9:**



## Montaggio completo



**Produttore:** Shanghai muxinmuyeyouxiangongsi

**Indirizzo:** Shuangchenglu 803nong11hao1602A-1609shi, baoshanqu, Shanghai 200000 CN.

**Importato in AUS:** SIHAO PTY LTD. 1 ROKEVA STREET EASTWOOD  
Nuovo Galles del Sud 2122 Australia

**Importato negli USA:** Sanven Technology Ltd. Suite 250, 9166 Anaheim  
Luogo, Rancho Cucamonga, CA 91730

<b>UK</b>	<b>REP</b>	YH CONSULTING LIMITED. C/O YH Consulting Limited Office 147, Centurion House, London Road, Staines-upon-Thames, Surrey, TW18 4AX
-----------	------------	--

<b>EC</b>	<b>REP</b>	E-CrossStu GmbH Mainzer Landstr.69, 60329 Frankfurt am Main.
-----------	------------	--



# **VEVOR**

**Affordable. Reliable. Home Improvement.**

## **SOPORTE PARA VOLANTE**

**MODELO: 6018**

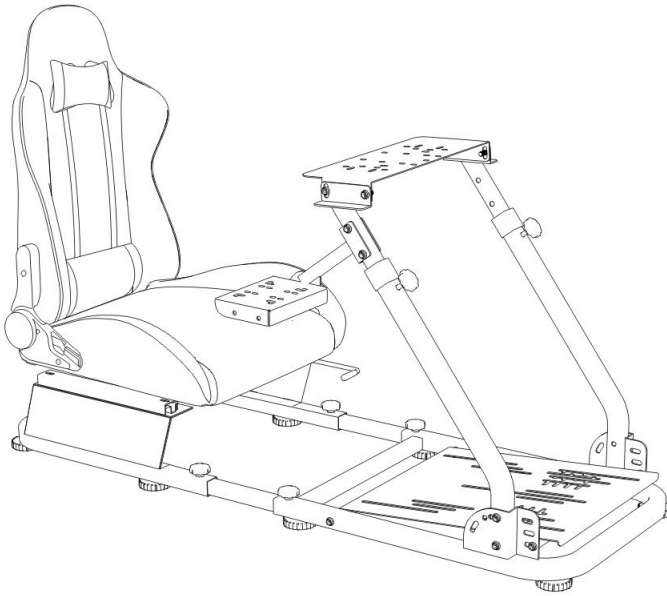


# VEVOR

Affordable. Reliable. Home Improvement.

## STEERING WHEEL STAND

**Modelo: 6018**



Estas son las instrucciones originales; lea atentamente todas las instrucciones del manual antes de utilizarlo. VEVOR se reserva el derecho de interpretar este manual de usuario. La apariencia del producto dependerá del producto que haya recibido. Le rogamos que no le informemos si hay actualizaciones tecnológicas o de software en nuestro producto.

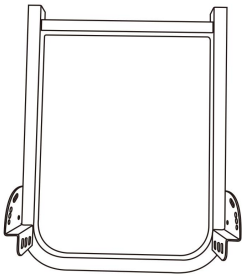
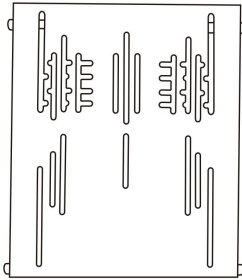



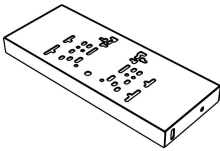
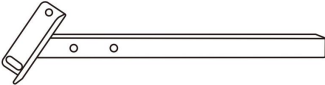
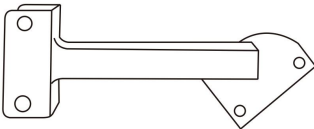
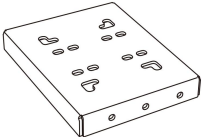
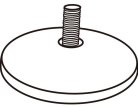
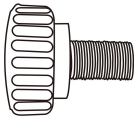
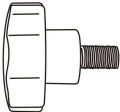
**Advertencia:** Para reducir el riesgo de lesiones, el usuario debe leer atentamente el manual de instrucciones.

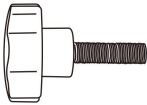
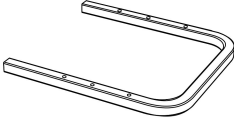

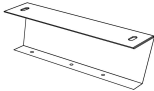
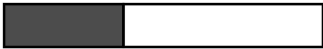

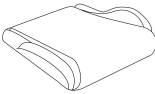
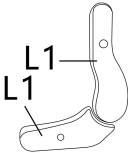
## Atenciones

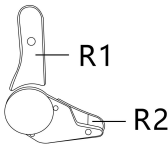


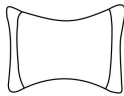
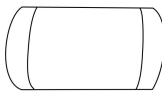
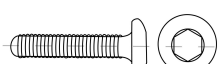
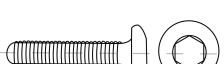
- Instale y utilice el soporte según las instrucciones .
- Por favor, instálolo con moderación, evitando vibraciones fuertes .
- No lo guarde en condiciones de humedad, altas temperaturas o en un lugar polvoriento .
- La estructura del producto es flexible, por lo que se recomienda usar guantes de trabajo durante el montaje. Tenga cuidado con las manos lastimadas al instalarlo.
- Los niños deben estar bajo la supervisión de un adulto cuando utilicen el producto.




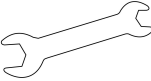
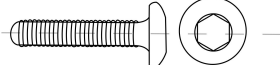
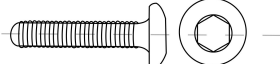

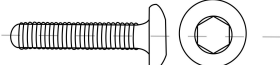

**Guarde el manual.**

Lista de piezas			
Código	Imagen	Nombre	CANTIDAD
1		Pedestal A	1
2		Panel de pedales	1

3		Apoyabrazos izquierdo y derecho	2
4		Panel del volante	1
5		Varilla telescópica izquierda y derecha	2
6		Soporte de la palanca de cambios	1
7		Panel de la palanca de cambios	1
8		Pie nivelador	8
9		Volante de estrella M8× 25	2
10		Volante de estrella M8×16	6

11		Volante de estrella M8×30	2
12		Pedestal B	1
13		Pedestal de barra transversal fija	2
14		Pedestal C	2
15		Correa de amarre	6
16		atrás	1
17		asiento	1
18		Cubierta de plástico del ajustador de ángulo - izquierda	1

19		Cubierta de plástico del ajustador de ángulo - derecha	1
20		sillón reclinable izquierdo	1
21		sillón reclinable derecho	1
22		Almohada para reposacabezas	1
23		Almohada lumbar	1
A		Tornillo M 8x20	4+1
B		Tornillo M 8x35	2+1
do		Tornillo M 8x45	2 +1
D		Tornillo M 6x16	8+12

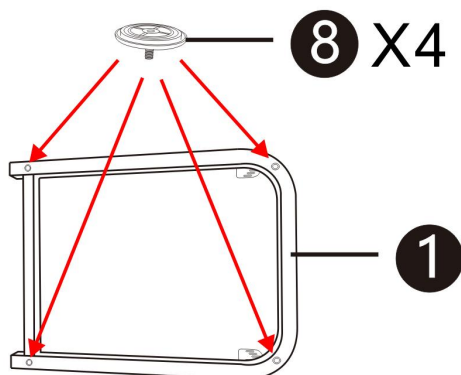
mi		Tuerca de brida M8	6+1
F		Tuerca de brida M6	2+6
GRAM O		Llave hexagonal de 5 mm	1
H		10-13 abierto llave	1
l		Tornillo M 8× 50	2 +1
a		Tornillo M 8×25	8+1
b		Tornillo M 5×8	6+1
d		Tornillo M 8×16	4+1
mi		Arandela elástica M8	8+1

F		Llave de anillo de 5 mm	1
---	---	-------------------------	---

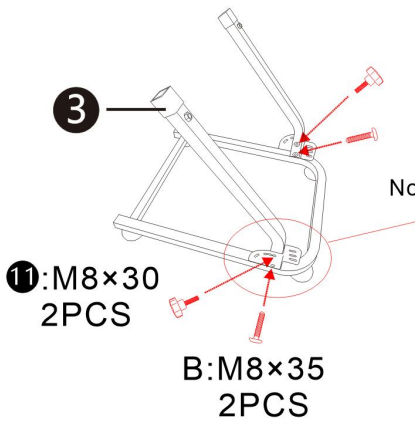
**Nota:** 12 tornillos M6\*16 y 6 tuercas M6 son gratuitos.

★ Para obtener la lista de kits de asientos y su instalación, consulte el manual de procedimiento de instalación del asiento adjunto.

**PASO 1 :**

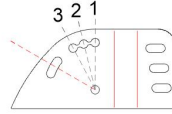


**PASO 2:**

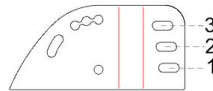
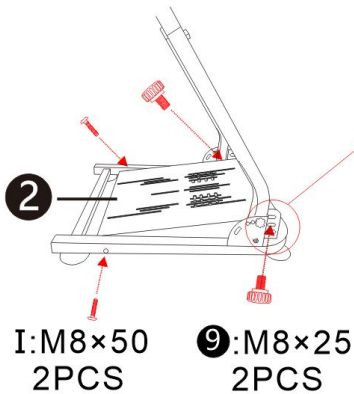


Note: These 3 holes are used to adjust the angle of side arms. choose the appropriate hole position for installation.

Note: When the main frame is folded, the installation screws of the side arms can be placed in this hole position



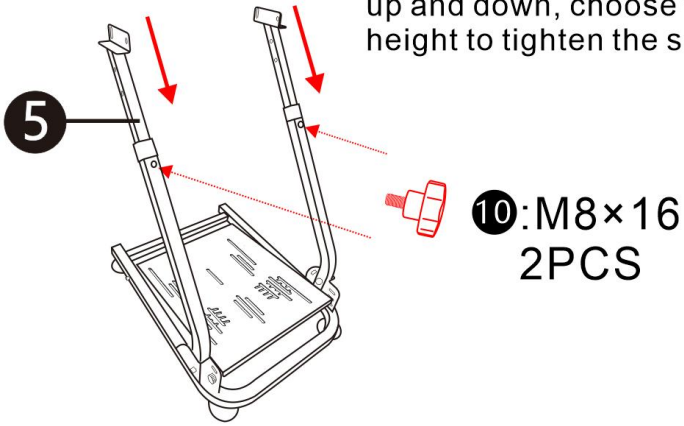
**PASO 3:**



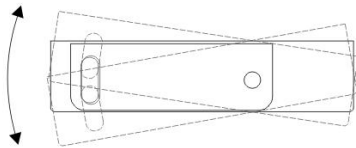
Note: These 3 holes are used to adjust the angle of pedal panel. choose the appropriate hole position for installation.

**PASO 4:**

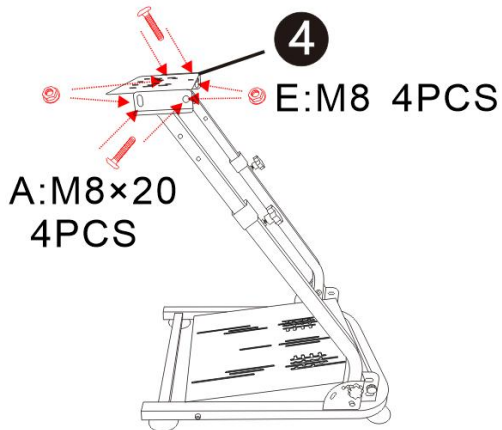
Note: The telescopic rod can be adjusted up and down, choose the appropriate height to tighten the screws.



**PASO 5:**

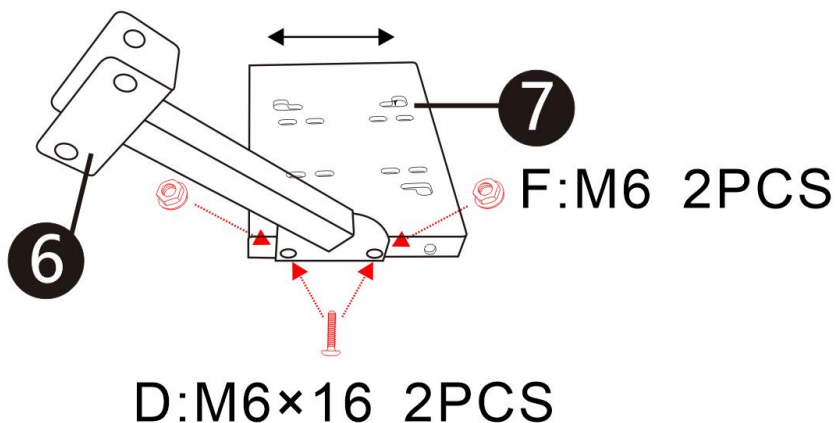


Note: Angle can be adjusted here, choose the appropriate angle for installation.

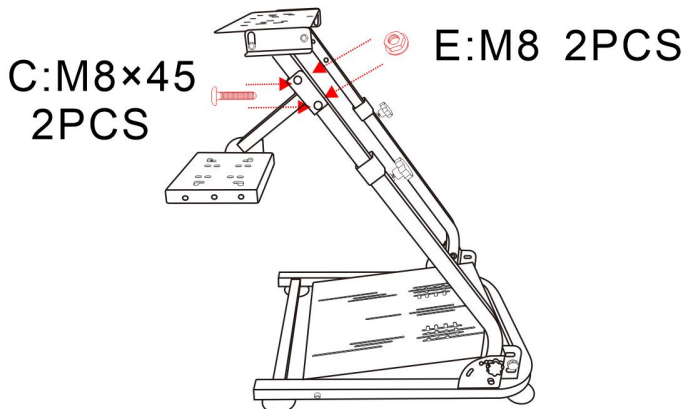


**PASO 6:**

Note: The panel can be adjusted front and back.

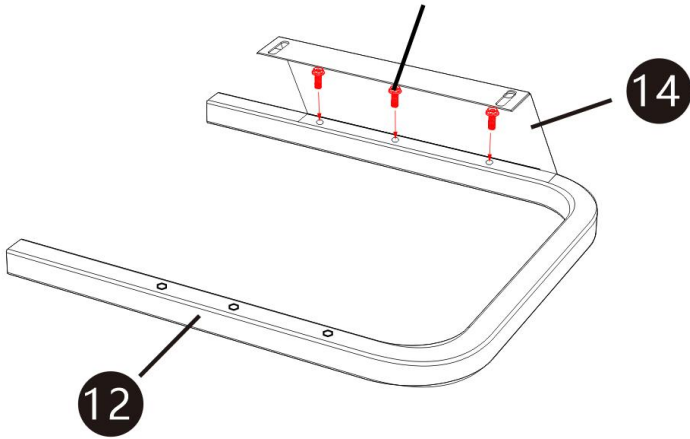


PASO 7:



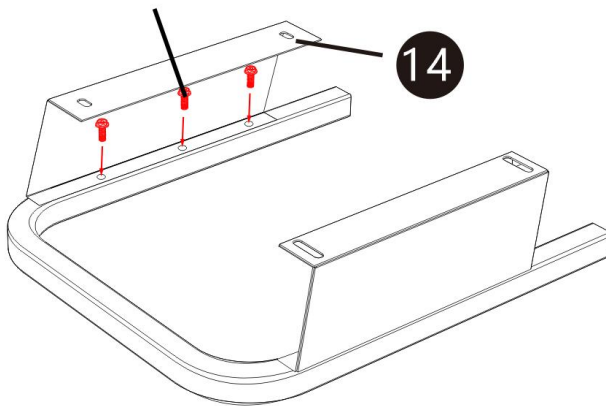
PASO 8:

D:M6×16 3PCS



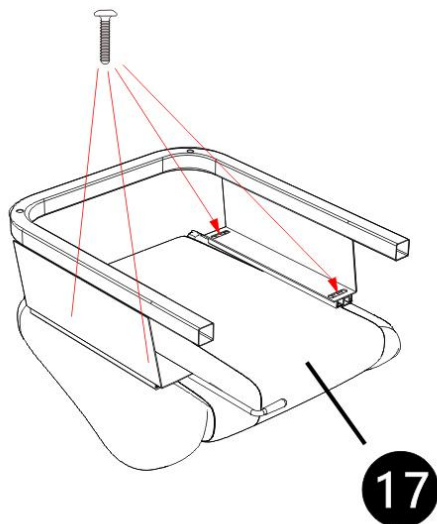
**PASO 9:**

D:M6×16 3PCS

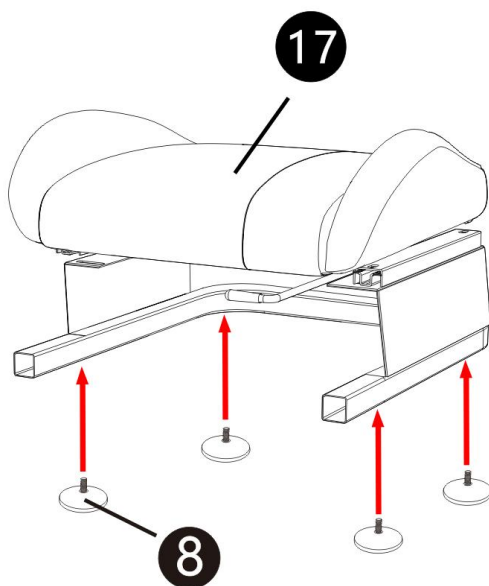


**PASO 10:**

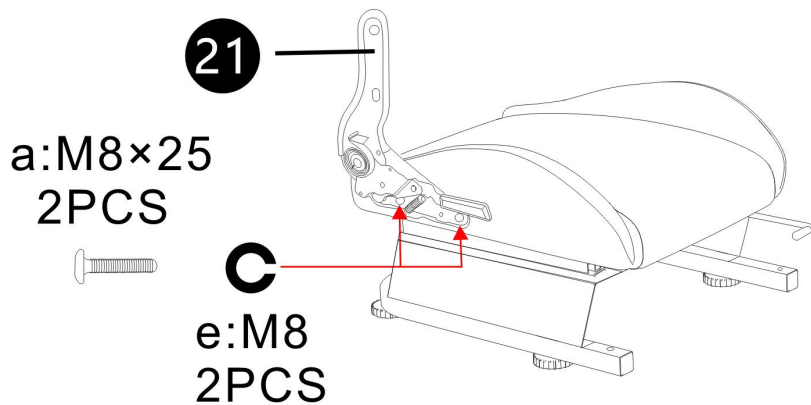
d:M8×16 4PCS



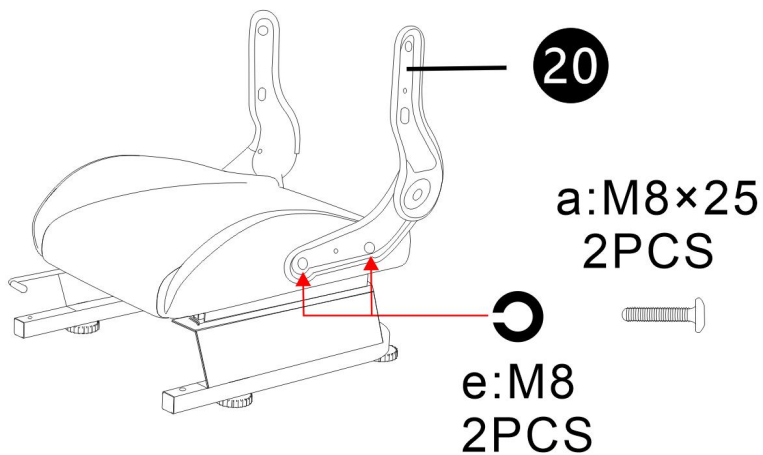
PASO 1 1:



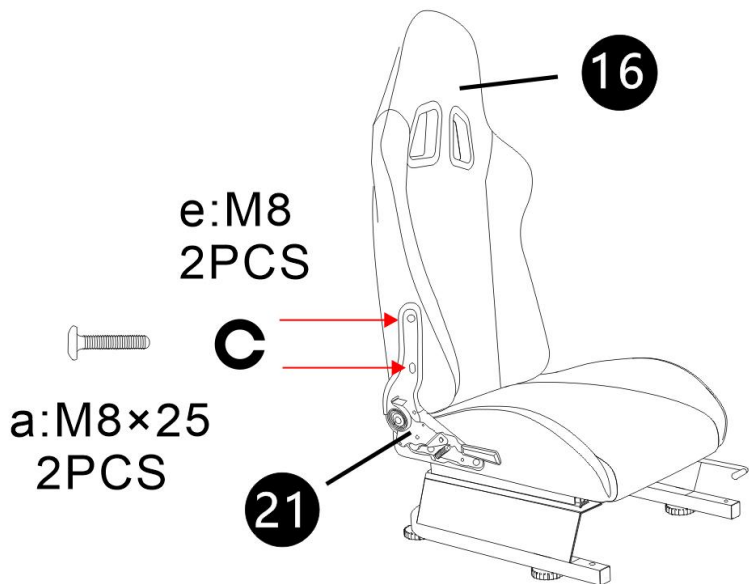
**PASO 1 2:**



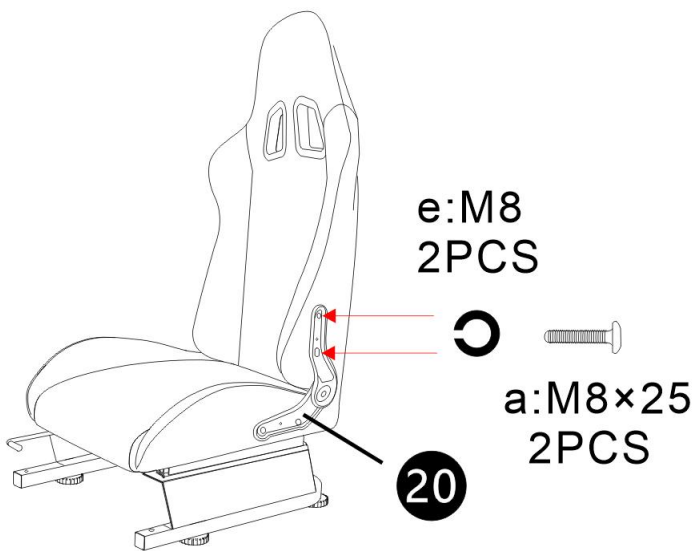
**PASO 1 3:**



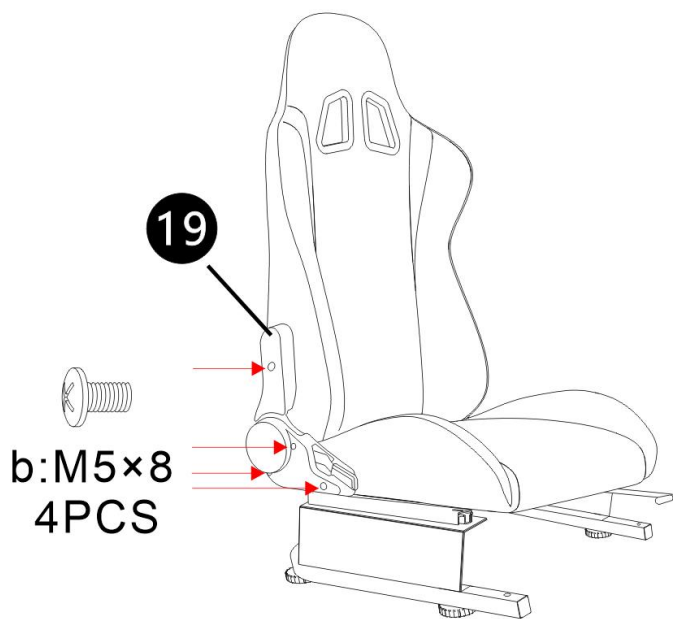
**PASO 14:**



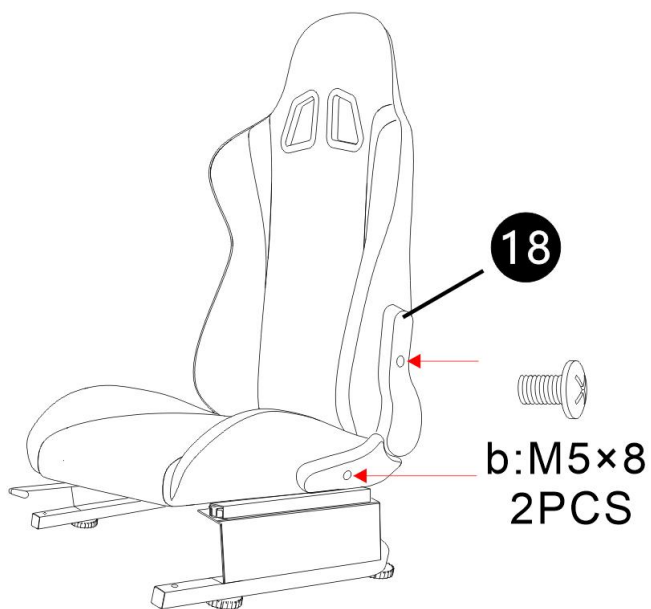
**PASO 1 5:**



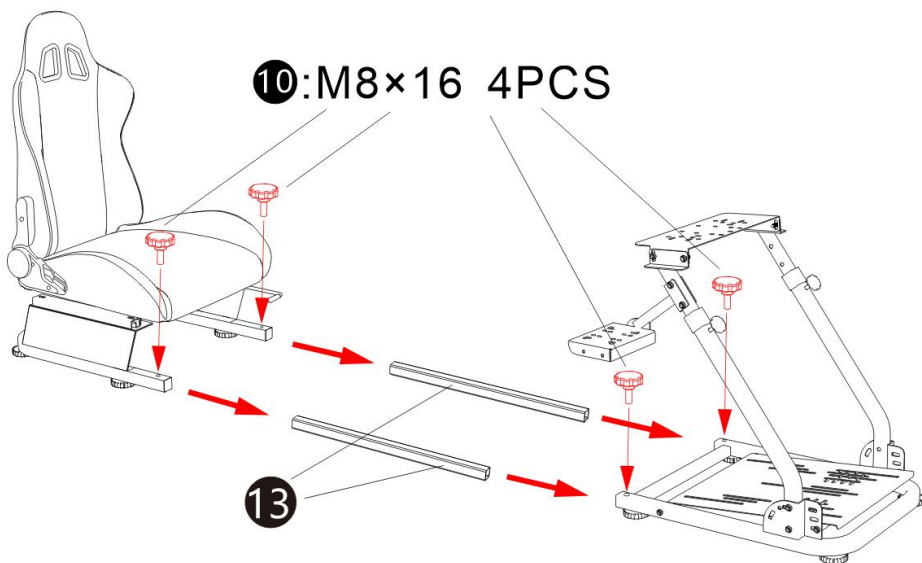
**PASO 1 6:**



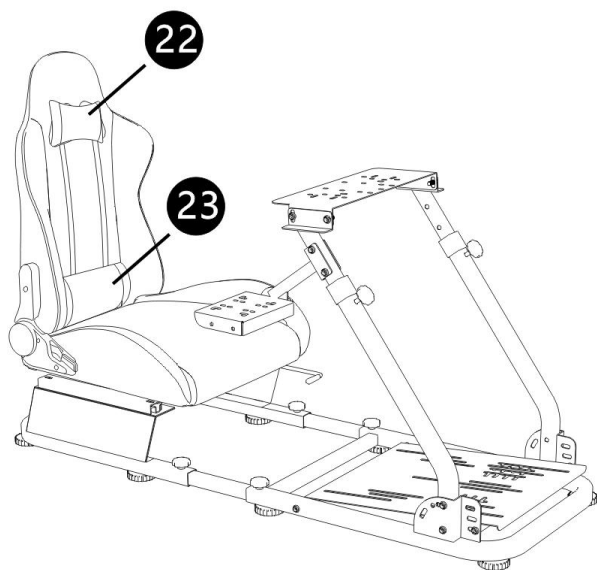
**PASO 1 7:**



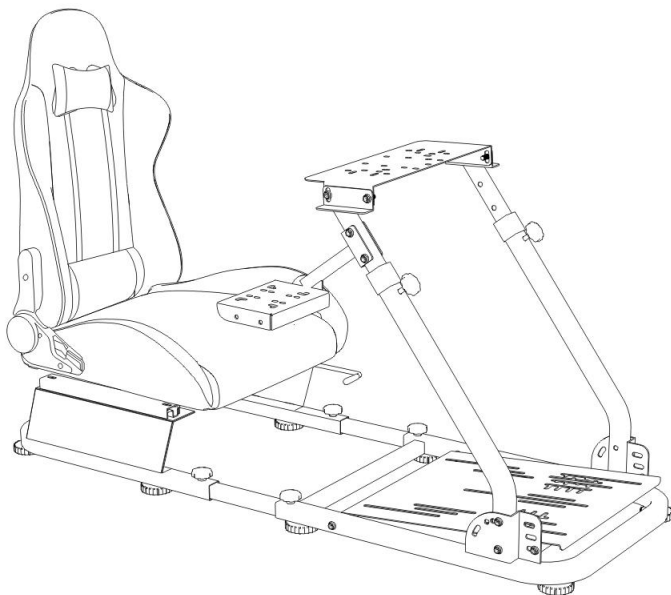
**PASO 1 8:**



**PASO 1 9:**



## Montaje completo



**Fabricante:** Shanghai muxinmuyeyouxiangongsi

**Dirección:** Shuangchenglu 803nong11hao1602A-1609shi, baoshanqu, Shanghai 200000 CN.

**Importado a AUS:** SIHAO PTY LTD. 1 ROKEVA STREET, EASTWOOD NSW 2122 Australia

**Importado a EE. UU.:** Sanven Technology Ltd. Suite 250, 9166 Anaheim Lugar, Rancho Cucamonga, CA 91730

<b>UK</b>	<b>REP</b>	YH CONSULTING LIMITED. C/O YH Consulting Limited Office 147, Centurion House, London Road, Staines-upon-Thames, Surrey, TW18 4AX
-----------	------------	--

<b>EC</b>	<b>REP</b>	E-CrossStu GmbH Mainzer Landstr.69, 60329 Frankfurt am Main.
-----------	------------	--



# **VEVOR**

**Affordable. Reliable. Home Improvement.**

## **PODSTAWKA POD KIEROWNICĘ**

**MODEL: 6018**

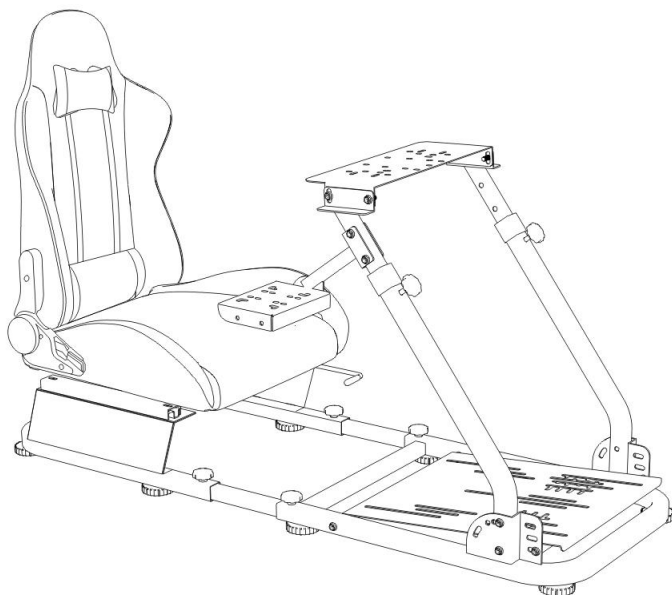


# VEVOR

Affordable. Reliable. Home Improvement.

## STEERING WHEEL STAND

**Model: 6018**



To jest oryginalna instrukcja obsługi. Przed użyciem prosimy o dokładne zapoznanie się z treścią instrukcji. Firma VEVOR zastrzega sobie prawo do jednoznacznej interpretacji niniejszej instrukcji obsługi. Wygląd produktu zależy od stanu, w jakim go otrzymali Państwo. Prosimy o wyrozumiałość, ale nie będziemy Państwa ponownie informować o aktualizacjach technologicznych lub oprogramowania naszego produktu.

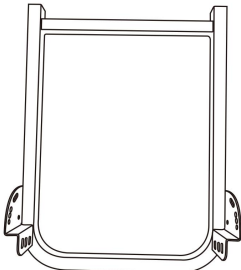
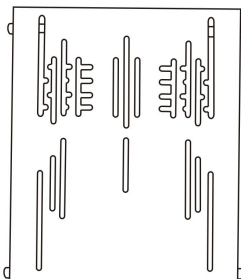



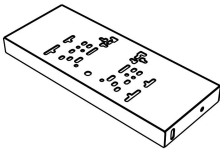
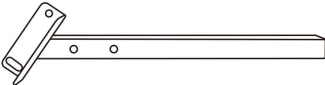
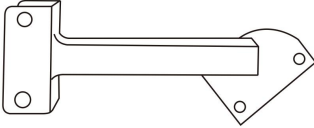
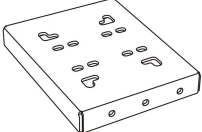
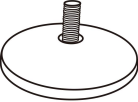
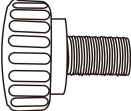
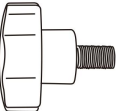
**Ostrzeżenie:** Aby zminimalizować ryzyko obrażeń, użytkownik powinien uważnie przeczytać instrukcję obsługi.

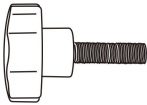
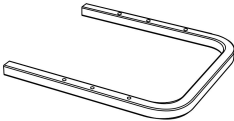

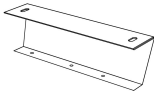
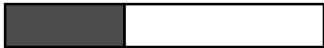

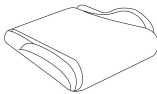
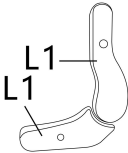
## Uprzejmości

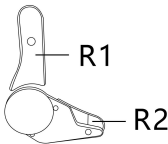


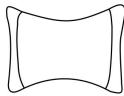

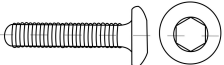
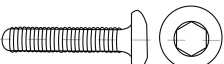
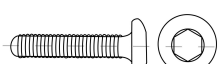
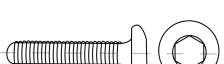
- Proszę zainstalować i używać stojak zgodnie z instrukcją .
- Dokonuj umiarkowanego montażu, unikaj silnych wibracji .
- Nie przechowywać w wilgotnych warunkach, wysokich temperaturach ani w miejscach zakurzonych .
- Produkt jest elastyczny, dlatego podczas montażu należy nosić rękawice robocze. Należy zachować ostrożność podczas instalacji, aby nie zranić dłoni.
- Dzieci powinny używać produktu pod nadzorem osoby dorosłej.




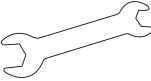
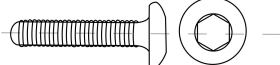
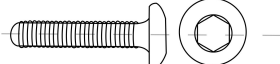

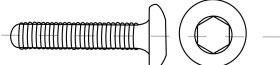

## Zapisz instrukcję.

Lista części			
Kod	Zdjęcie	Nazwa	ILOŚĆ
1		Postument A	1
2		Panel pedałów	1

3		Podłokietniki lewy i prawy	2
4		Panel kierownicy	1
5		Pręt teleskopowy lewy i prawy	2
6		Uchwyt dźwigni zmiany biegów	1
7		Panel dźwigni zmiany biegów	1
8		Stopka poziomująca	8
9		Koło ręczne gwiazdowe M8× 25	2
10		Koło ręczne gwiazdowe M8×16	6

11		Koło ręczne gwiazdowe M8×30	2
12		Postument B	1
13		Stała poprzeczka postumentowa	2
14		Postument C	2
15		Pas mocujący	6
16		z powrotem	1
17		siedziba	1
18		Plastikowa osłona regulatora kąta - lewa	1

19		Plastikowa osłona regulatora kąta - prawa	1
20		fotel rozkładany-lewy	1
21		fotel rozkładany po prawej stronie	1
22		Poduszka zagłówkowa	1
23		Poduszka łędźwiowa	1
A		Śruba M 8×20	4+1
B		Śruba M 8×35	2+1
C		Śruba M 8×45	2 +1
D		Śruba M 6×16	8+12

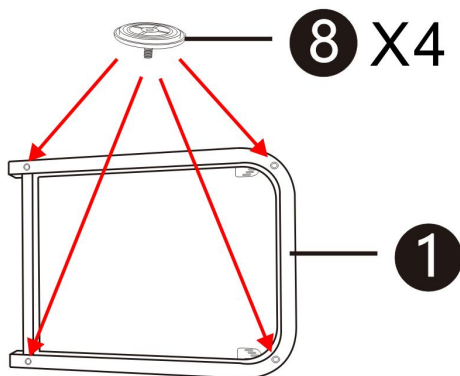
mi		Nakrętka kołnierzowa M8	6+1
F		Nakrętka kołnierzowa M6	2+6
G		Klucz imbusowy 5mm	1
H		10-13 otwarte klucz do nakrętek	1
I		Śruba M 8× 50	2 +1
A		Śruba M 8×25	8+1
B		Śruba M 5×8	6+1
D		Śruba M 8×16	4+1
mi		Podkładka sprężysta M8	8+1

F		Klucz oczkowy 5mm	1
---	---	----------------------	---

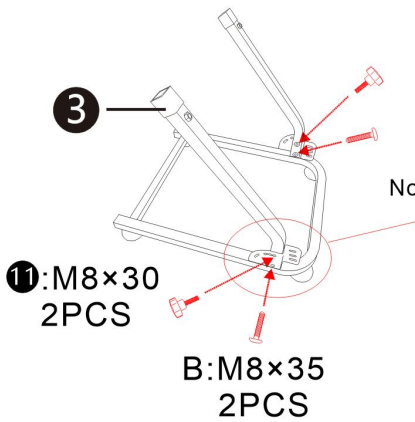
**Uwaga:** 12 śrub M6\*16 i 6 nakrętek M6 jest dostarczanych w komplecie.

★ Listę zestawów fotelików i sposobów ich montażu znajdziesz w załączonej instrukcji montażu fotelika.

**KROK 1 :**

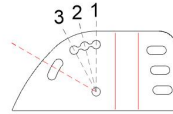


**KROK 2:**

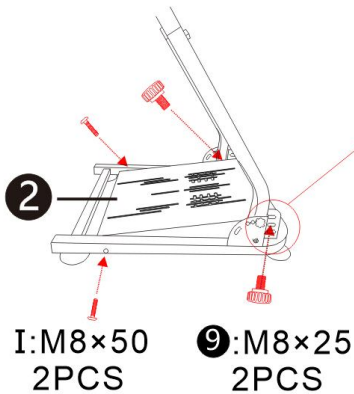


Note: These 3 holes are used to adjust the angle of side arms. choose the appropriate hole position for installation.

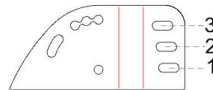
Note: When the main frame is folded, the installation screws of the side arms can be placed in this hole position



**KROK 3:**

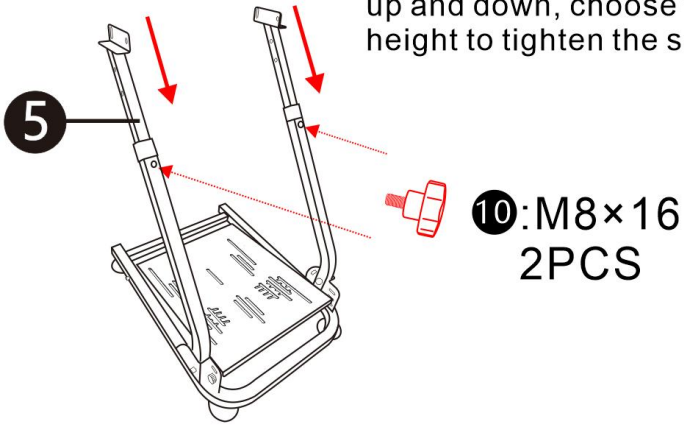


Note: These 3 holes are used to adjust the angle of pedal panel. choose the appropriate hole position for installation.

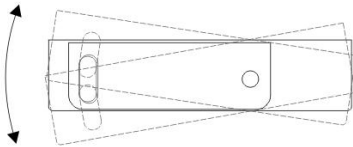


**KROK 4:**

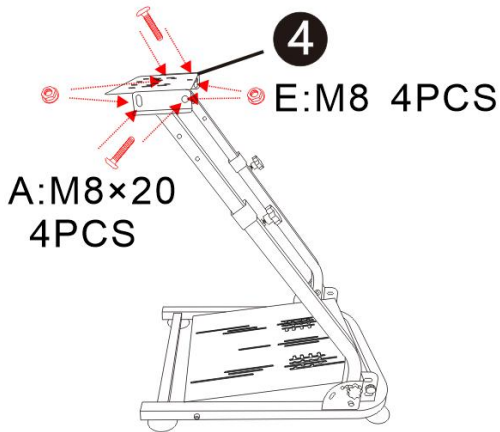
Note: The telescopic rod can be adjusted up and down, choose the appropriate height to tighten the screws.



**KROK 5:**

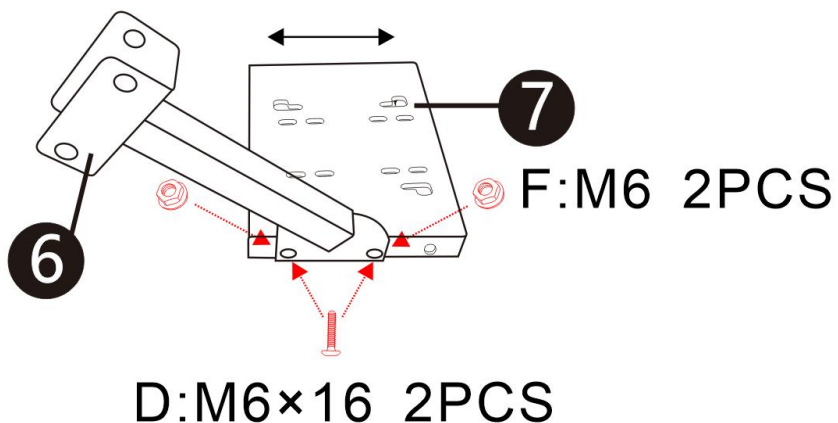


Note: Angle can be adjusted here, choose the appropriate angle for installation.

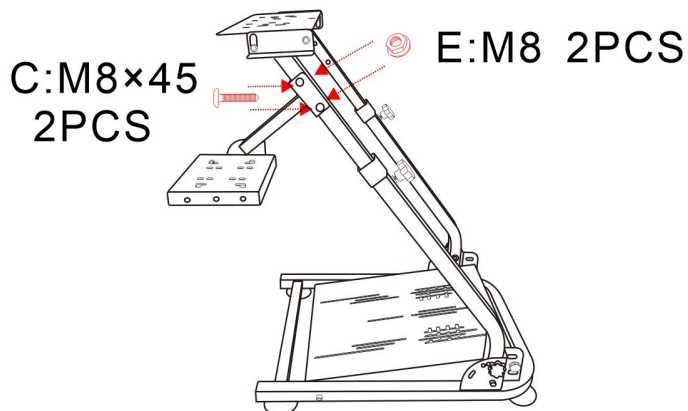


**KROK 6:**

Note: The panel can be adjusted front and back.

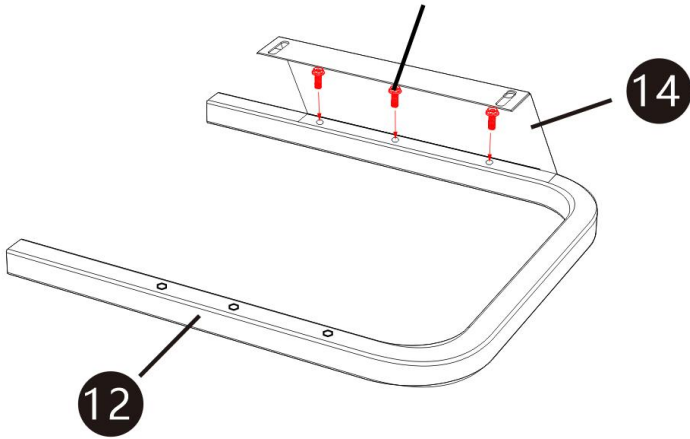


**KROK 7:**



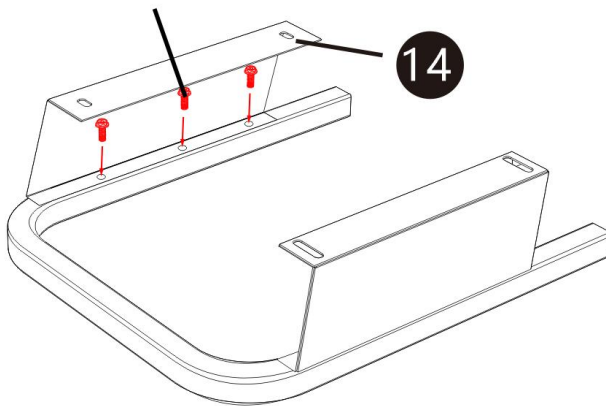
**KROK 8:**

D:M6×16 3PCS



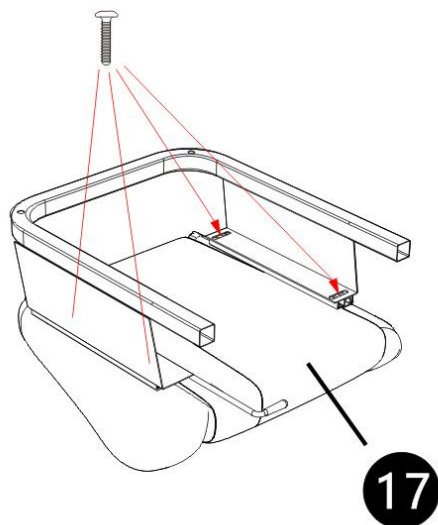
**KROK 9:**

D:M6×16 3PCS

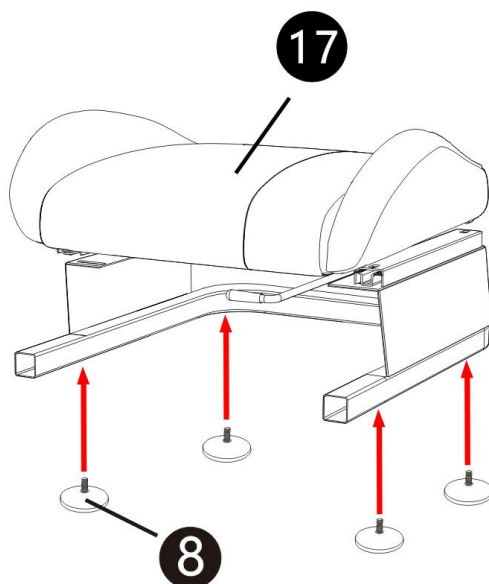


**KROK 1 0:**

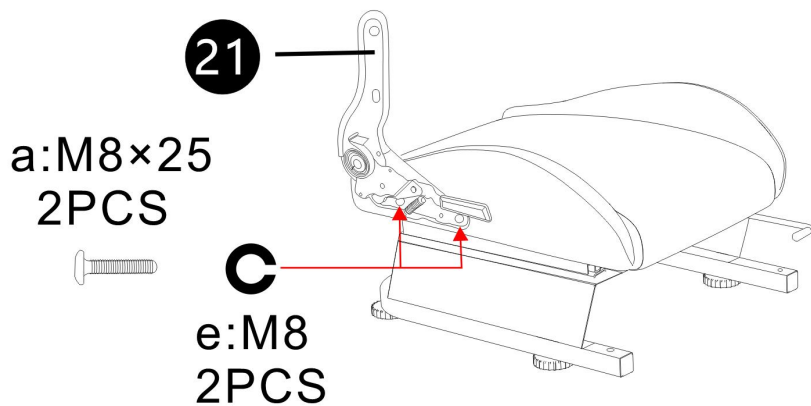
d:M8×16 4PCS



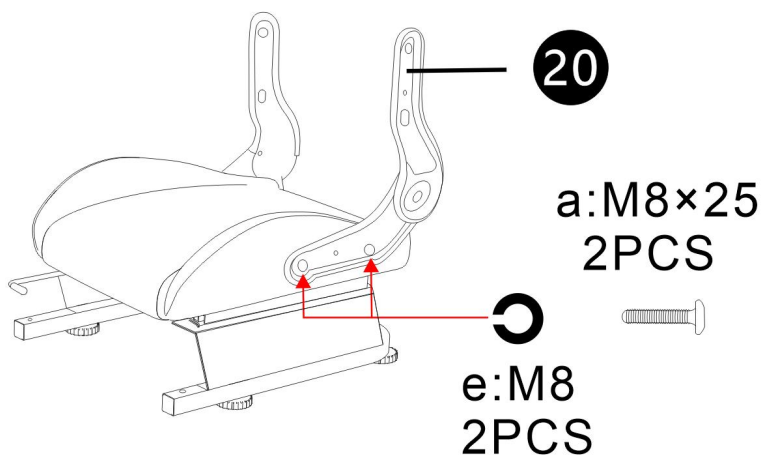
KROK 1 1:



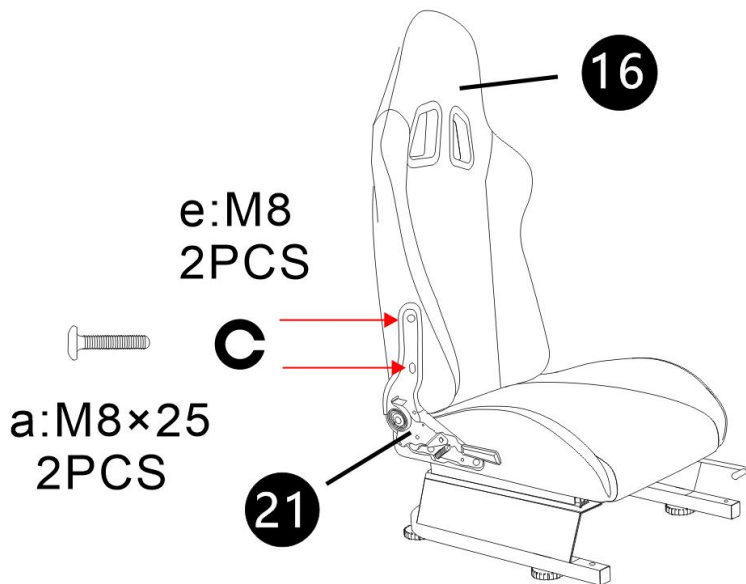
**KROK 1 2:**



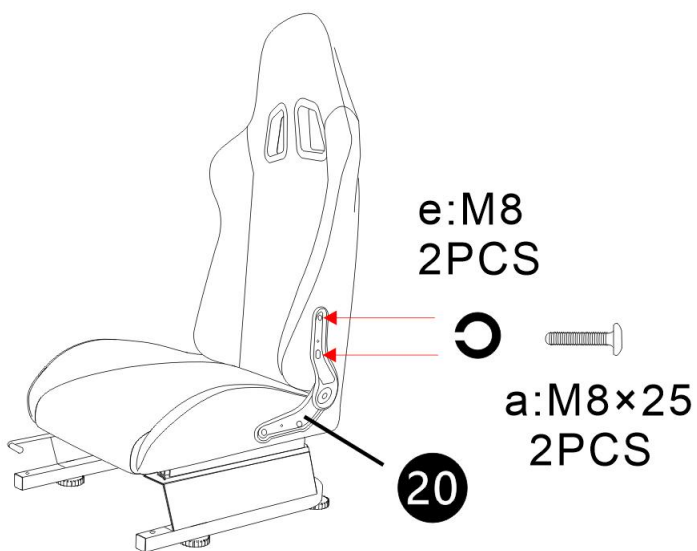
**KROK 1 3:**



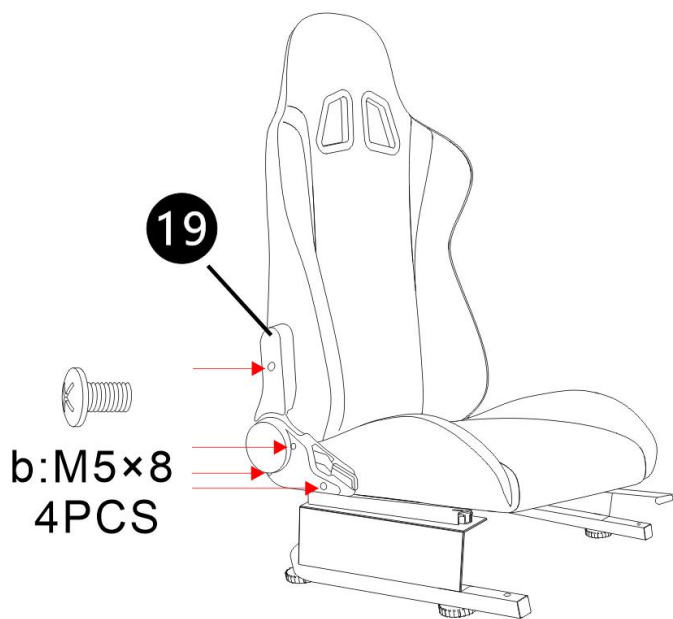
**KROK 14:**



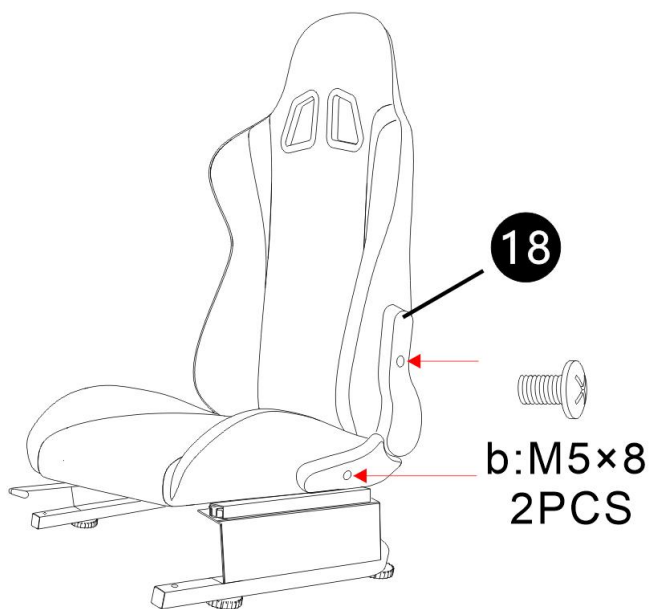
**KROK 1 5:**



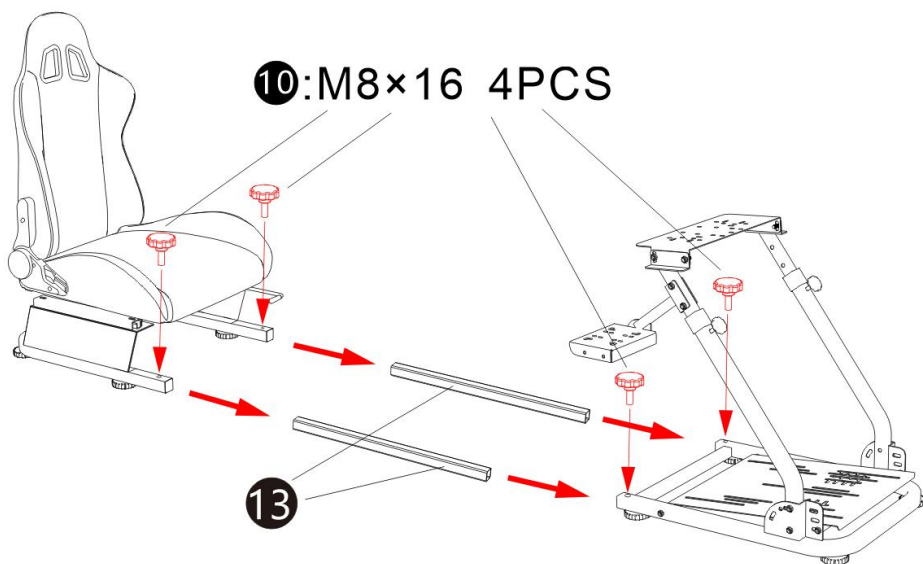
**KROK 1 6:**



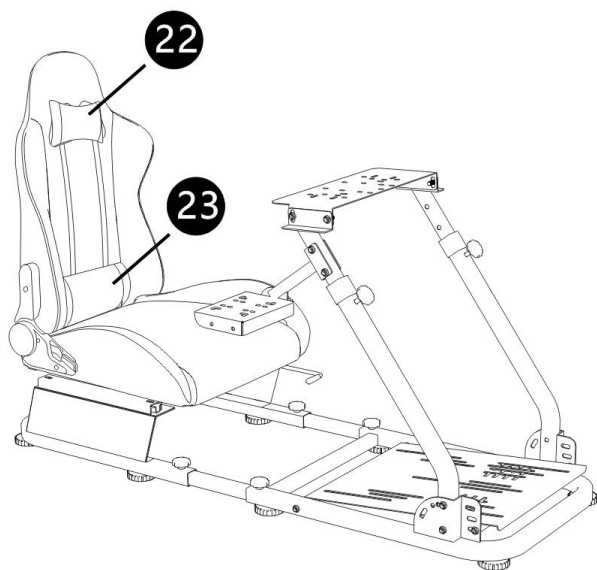
**KROK 1 7:**



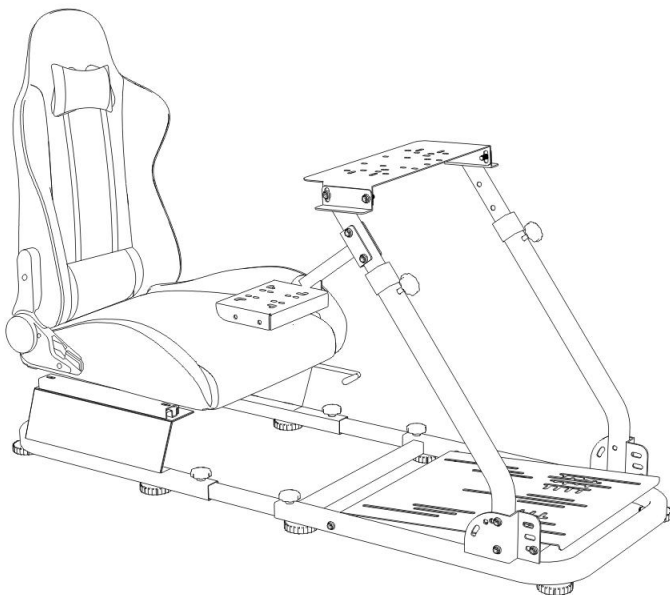
**KROK 1 8:**



**KROK 1 9:**



## Kompletny montaż



**Producent:** Shanghai muxinmuyeyouxiangongsi

**Adres:** Shuangchenglu 803nong11hao1602A-1609shi, baoshanqu, szanghaj 200000 CN.

**Importowane do AUS:** SIHAO PTY LTD. 1 ROKEVA  
STREETEASTWOOD  
NSW 2122 Australia

**Importowane do USA:** Sanven Technology Ltd. Suite 250, 9166 Anaheim  
Miejsce, Rancho Cucamonga, CA 91730

<b>UK</b>	<b>REP</b>
-----------	------------

YH CONSULTING LIMITED. C/O YH Consulting  
Limited Office 147, Centurion House, London  
Road, Staines-upon-Thames, Surrey, TW18 4AX

<b>EC</b>	<b>REP</b>
-----------	------------

E-CrossStu GmbH  
Mainzer Landstr.69,  
60329 Frankfurt am Main.





# **VEVOR**

**Affordable. Reliable. Home Improvement.**

## **STUURWIELSTANDAARD**

**MODEL: 6018**

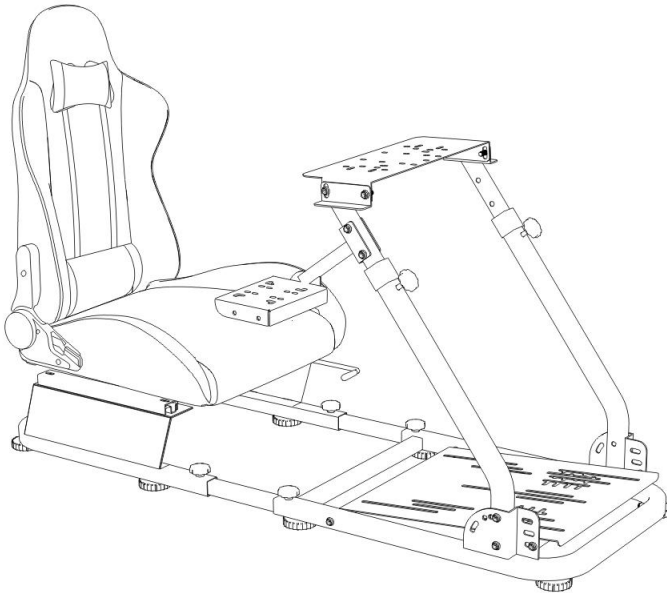


# VEVOR

Affordable. Reliable. Home Improvement.

## STEERING WHEEL STAND

**Model: 6018**



Dit is de originele handleiding. Lees alle instructies zorgvuldig door voordat u het product gebruikt. VEVOR behoudt zich het recht voor om de gebruiksaanwijzing duidelijk te interpreteren. Het uiterlijk van het product is afhankelijk van het product dat u hebt ontvangen. Neemt u het ons niet kwalijk dat we u niet meer op de hoogte stellen van eventuele technologische of software-updates voor ons product.

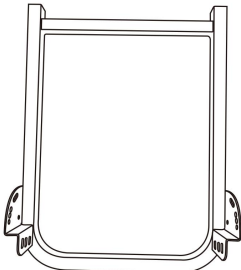
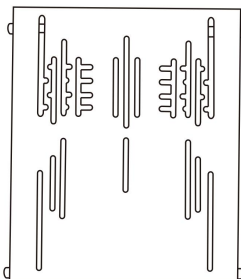



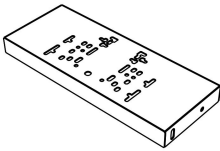
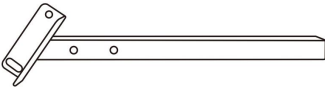
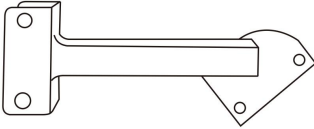
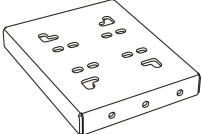
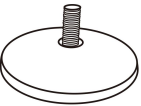
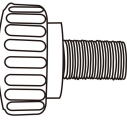
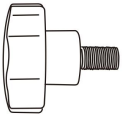
**Waarschuwing:** om het risico op letsel te verminderen, moet de gebruiker de gebruiksaanwijzing zorgvuldig lezen.

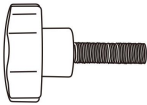
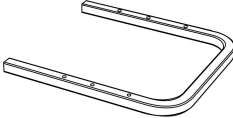

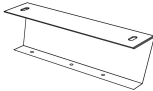
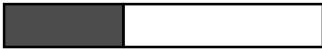

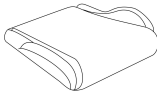
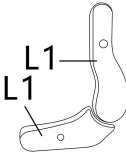
## Aandacht

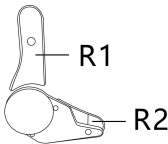


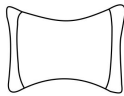
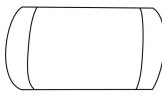
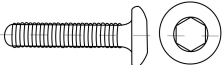
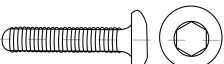
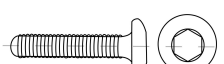
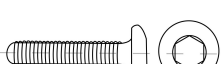
- Installeer en gebruik de standaard volgens de instructies .
- Installeer het voorzichtig en vermijd sterke trillingen .
- Niet bewaren op een vochtige plaats, bij hoge temperaturen of op een stoffige plaats .
- De productstructuur is flexibel. Draag werkhandschoenen tijdens de montage. Let op een pijnlijke hand tijdens de installatie.
- Kinderen dienen dit product onder toezicht van een volwassene te gebruiken.




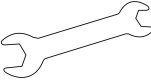
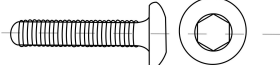
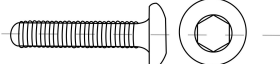

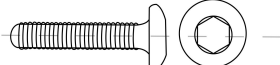

## Bewaar de handleiding.

<b>Onderdelenlijst</b>			
<b>Code</b>	<b>Afbeelding</b>	<b>Naam</b>	<b>AANTAL</b>
1		Voetstuk A	1
2		Pedaalpaneel	1

3		Linker- en rechterarmleuningen	2
4		Stuurwielpaneel	1
5		Telescopische stang links en rechts	2
6		Versnellingshendelhouder	1
7		Versnellingspookpaneel	1
8		Stelvoet	8
9		Sterhandwiel M8× 25	2
10		Sterhandwiel M8× 16	6

11		Sterhandwiel M8×30	2
12		Voetstuk B	1
13		Voetstuk vaste dwarsbalk	2
14		Voetstuk C	2
15		Vastzetriem	6
16		rug	1
17		stoel	1
18		Hoekversteller kunststof afdekking - links	1

19		Hoekversteller kunststof afdekking - rechts	1
20		relaxfauteuil links	1
21		relaxfauteuil rechts	1
22		Hoofddeunkussen	1
23		Lendenkussen	1
A		Schroef M 8x20	4+1
B		Schroef M 8x35	2+1
C		Schroef M 8x45	2 +1
D		Schroef M 6x16	8+12

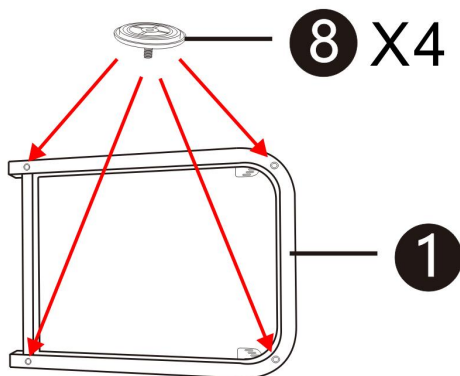
E		Flensmoer M8	6+1
F		Flensmoer M6	2+6
G		Inbussleutel 5mm	1
H		10-13 open einde moersleutel	1
I		Schroef M 8 x 50	2 +1
A		Schroef M 8 x 25	8+1
B		Schroef M 5 x 8	6+1
D		Schroef M 8 x 16	4+1
en		Veerring M8	8+1

F		Ringsleutel 5mm	1
---	--	-----------------	---

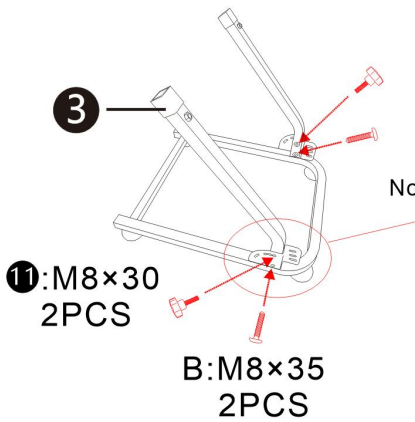
**Let op:** 12 schroeven M6\*16 en 6 moeren M6 zijn inbegrepen.

★ Raadpleeg de bijgevoegde handleiding met de stoelinstallatieprocedure voor een lijst met stoelsets en de installatie ervan.

**STAP 1 :**

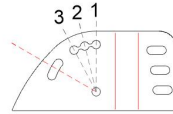


**STAP 2:**

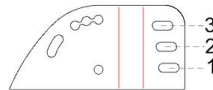
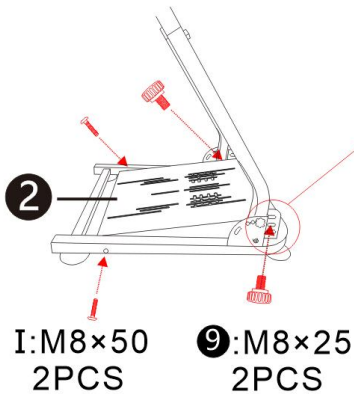


Note: These 3 holes are used to adjust the angle of side arms. choose the appropriate hole position for installation.

Note: When the main frame is folded, the installation screws of the side arms can be placed in this hole position



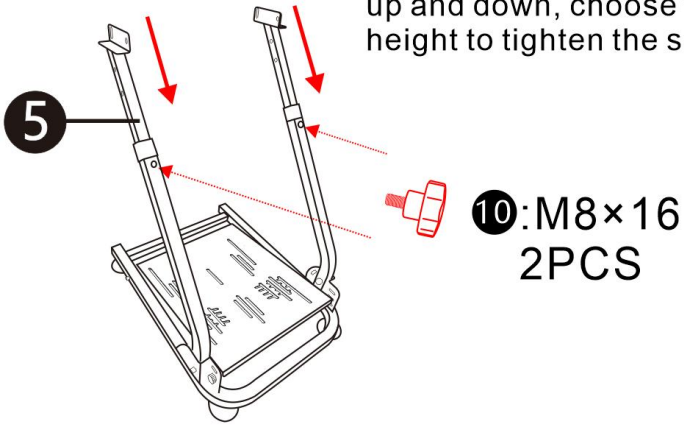
**STAP 3:**



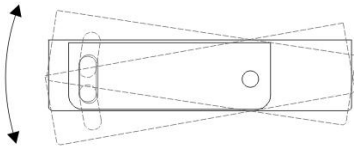
Note: These 3 holes are used to adjust the angle of pedal panel. choose the appropriate hole position for installation.

**STAP 4:**

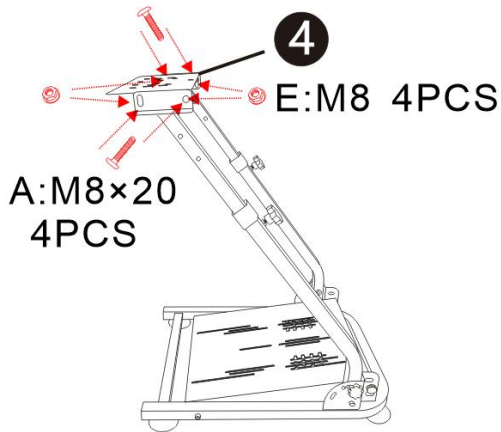
Note: The telescopic rod can be adjusted up and down, choose the appropriate height to tighten the screws.



**STAP 5:**

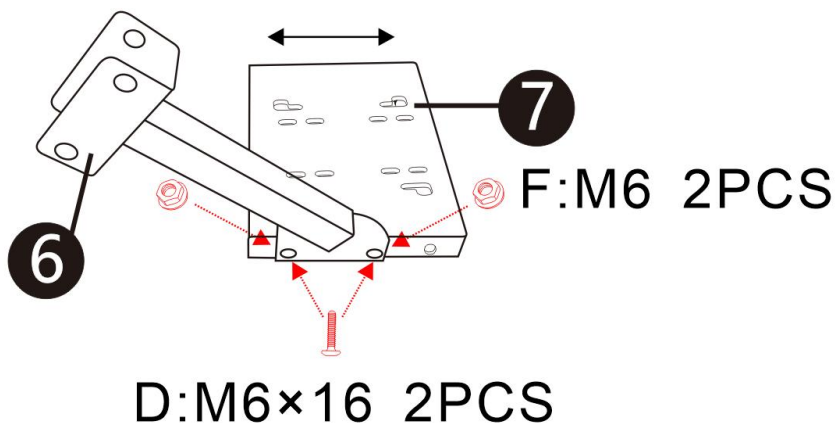


Note: Angle can be adjusted here, choose the appropriate angle for installation.

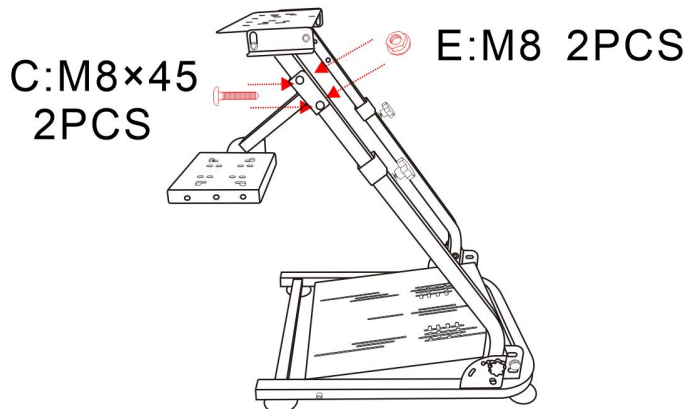


**STAP 6:**

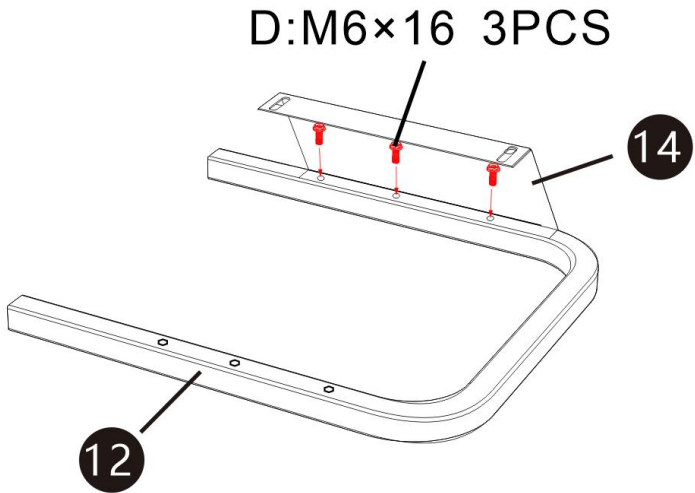
Note: The panel can be adjusted front and back.



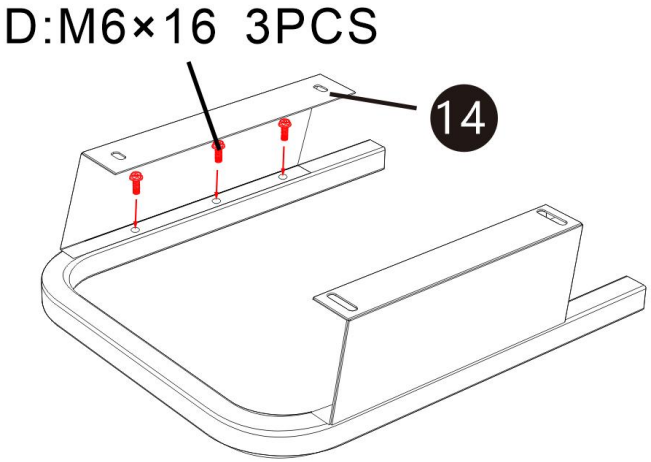
STAP 7:



STAP 8:

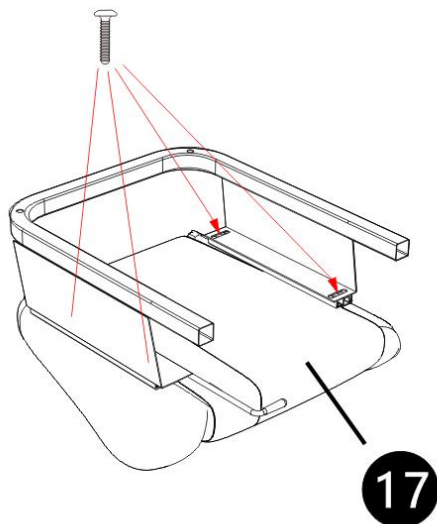


**STAP 9:**

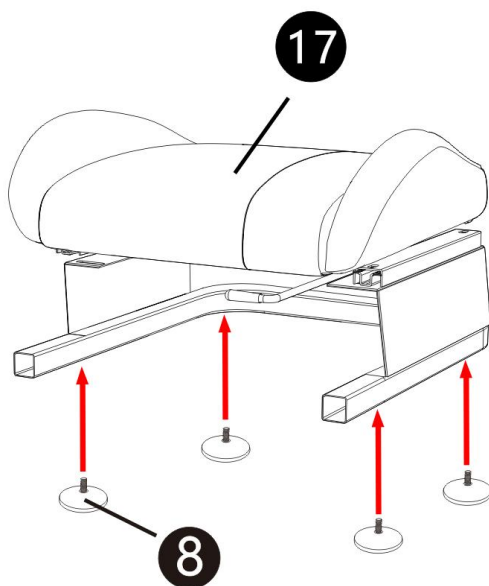


**STAP 1 0:**

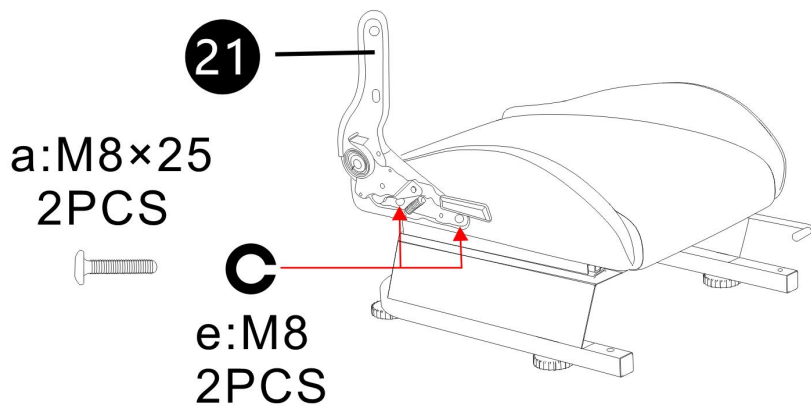
d:M8×16 4PCS



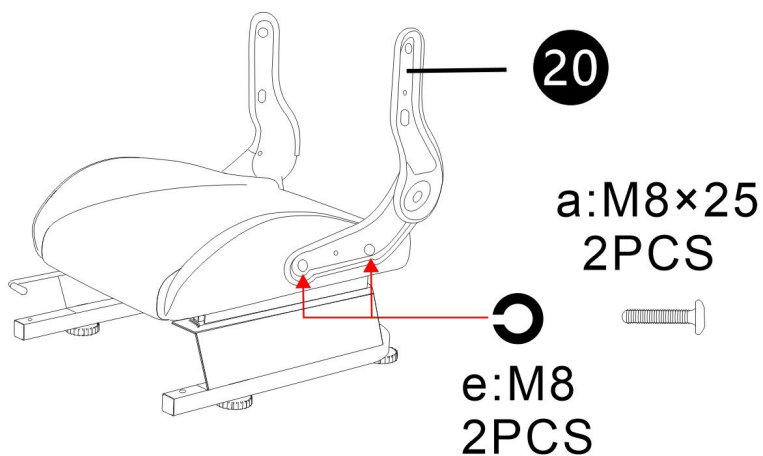
STAP 1 1:



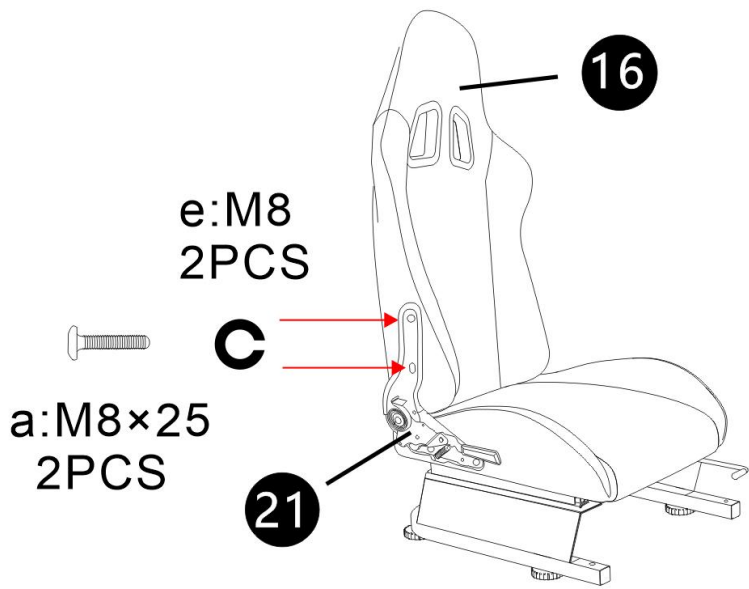
**STAP 1 2:**



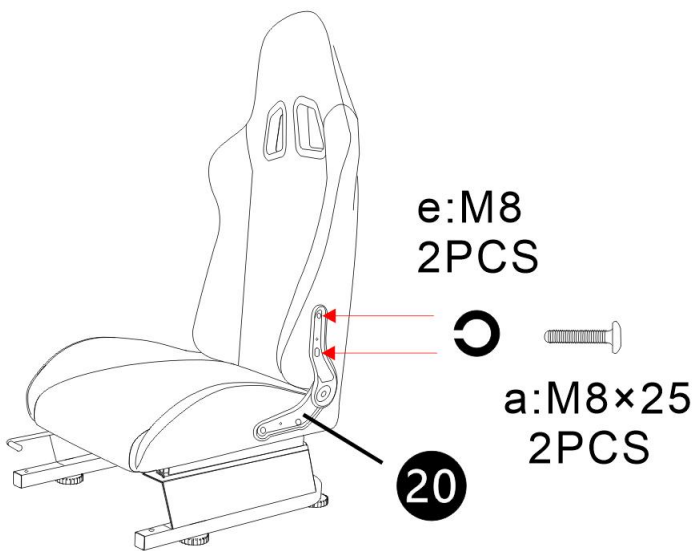
**STAP 1 3:**



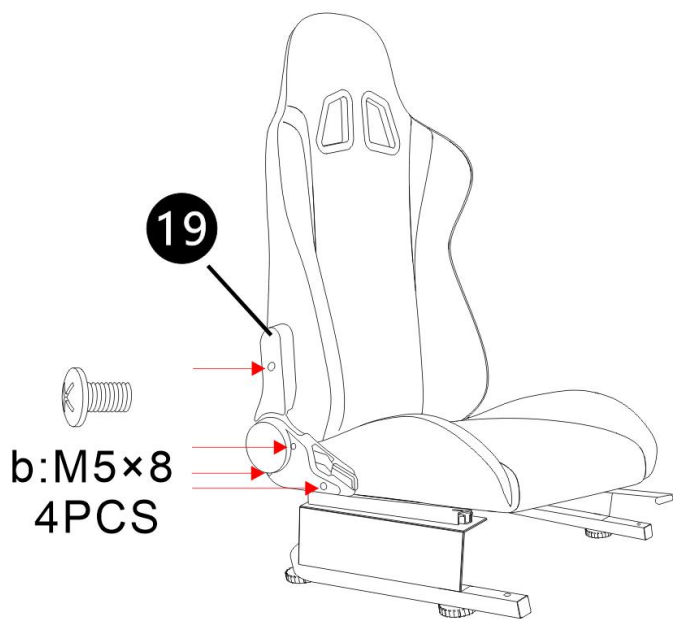
**STAP 14:**



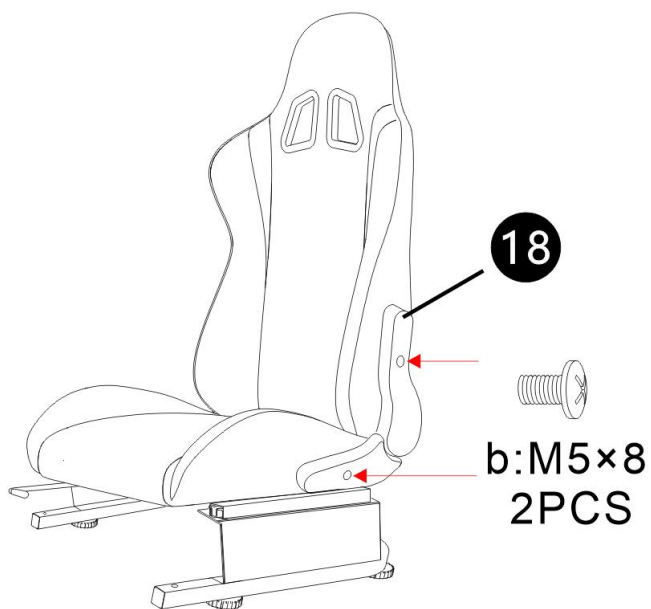
**STAP 1 5:**



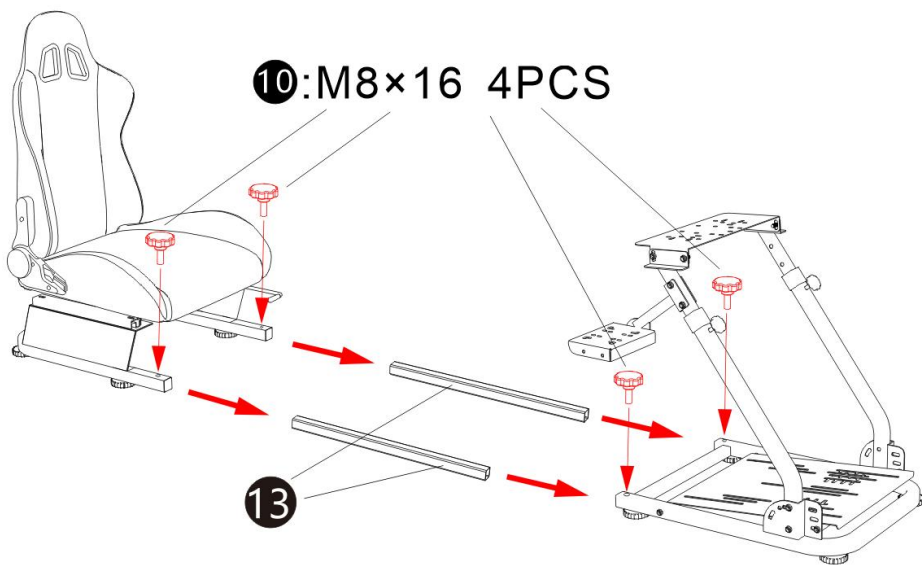
**STAP 1 6:**



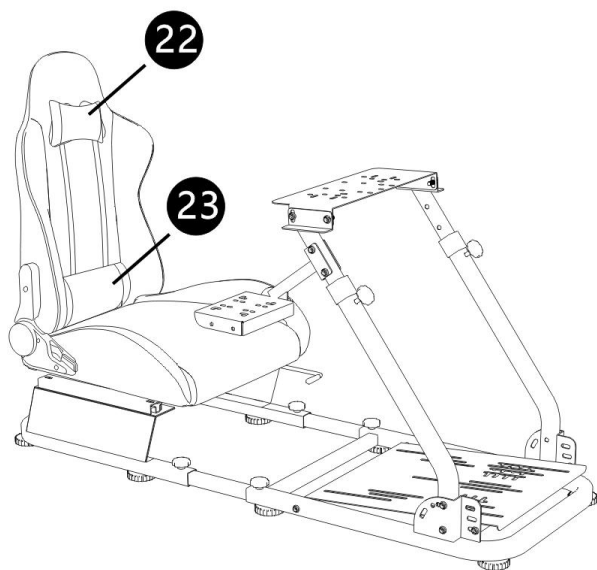
**STAP 1 7:**



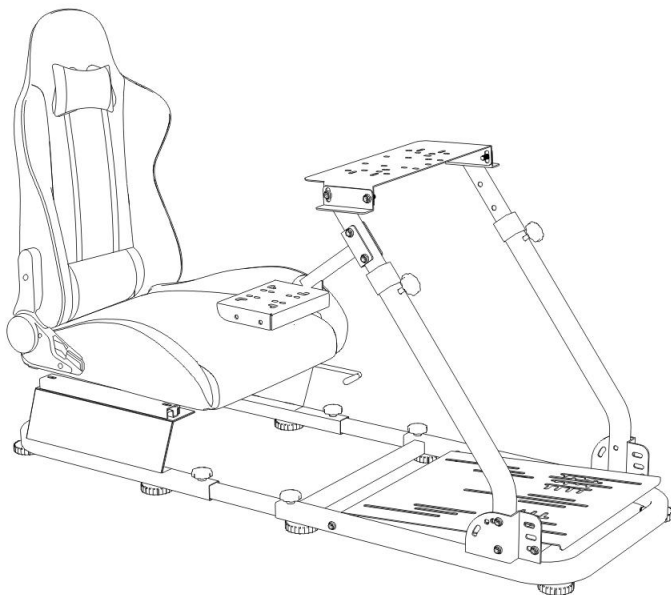
**STAP 1 8:**



**STAP 1 9:**



## Volledige montage



**Fabrikant:** Shanghai muxinmuyeyouxiangongsi

**Adres:** Shuangchenglu 803nong11hao1602A-1609shi, baoshanqu, shanghai 200000 CN.

**Geïmporteerd naar AUS:** SIHAO PTY LTD. 1 ROKEVA  
STREETEASTWOOD

NSW 2122 Australië

**Geïmporteerd naar de VS:** Sanven Technology Ltd. Suite 250, 9166  
Anaheim

Plaats, Rancho Cucamonga, CA 91730

<b>UK</b>	<b>REP</b>
-----------	------------

YH CONSULTING LIMITED. C/O YH Consulting  
Limited Office 147, Centurion House, London  
Road, Staines-upon-Thames, Surrey, TW18 4AX

<b>EC</b>	<b>REP</b>
-----------	------------

E-CrossStu GmbH  
Mainzer Landstr.69,  
60329 Frankfurt am Main.





# **VEVOR**

**Affordable. Reliable. Home Improvement.**

## **RATTSTYCK**

**MODELL: 6018**

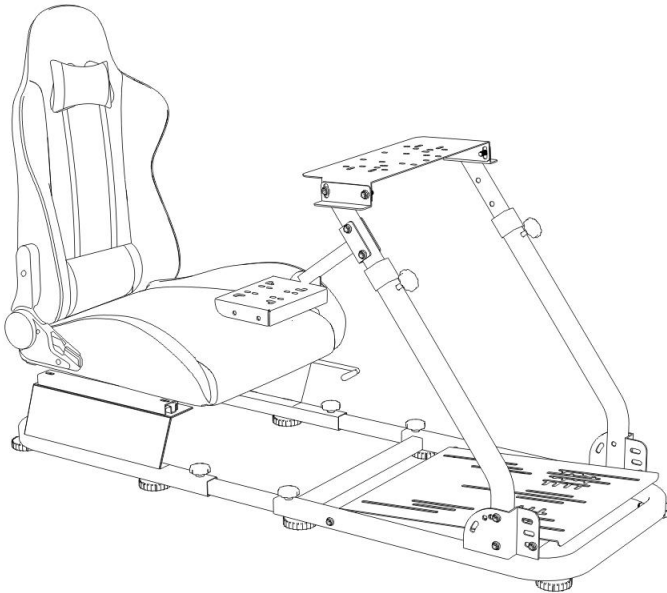


# VEVOR

Affordable. Reliable. Home Improvement.

## STEERING WHEEL STAND

**Modell: 6018**



Detta är originalinstruktionerna, vänligen läs alla instruktioner noggrant innan du använder produkten. VEVOR förbehåller sig en tydlig tolkning av vår användarmanual. Produktens utseende ska vara beroende av den produkt du mottagit. Vi ber om ursäkt för att vi inte kommer att informera dig igen om det finns några teknik- eller programuppdateringar för vår produkt.

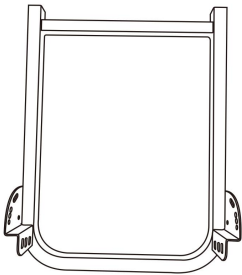
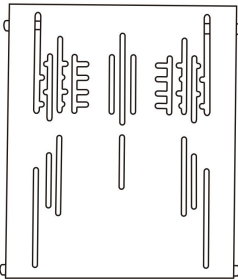



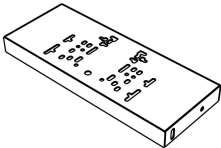
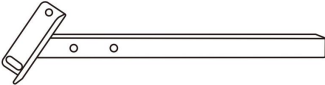
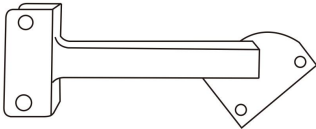
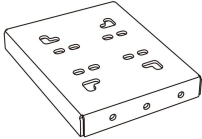
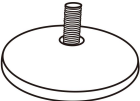
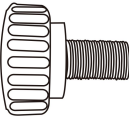
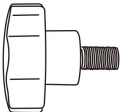
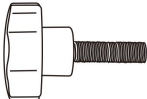
**Varning – För att minska risken för skador måste användaren läsa instruktionsmanualen noggrant.**

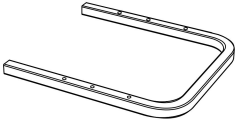

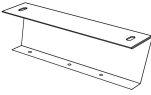
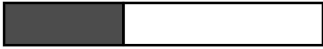


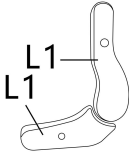
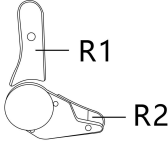
## Uppmärksamhet



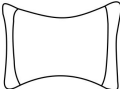

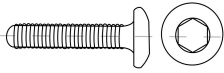
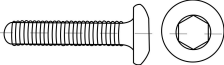
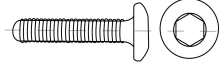
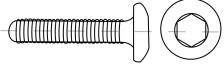

- Installera och använd stativet enligt anvisningarna .
- Installera med måtta och undvik starka vibrationer .
- Förvara inte i fuktiga förhållanden, höga temperaturer eller dammiga platser .
- Produktstrukturen är flexibel, använd arbetshandskar vid montering. Var försiktig med värkande händer vid installation.
- Barn bör vara under vuxenövervakning när de använder produkten.




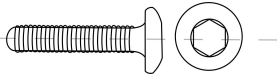
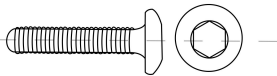

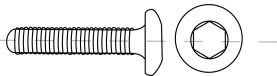

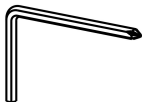
### Spara manualen.

Dellista			
Koda	Bild	Namn	ANTAL
1		Piedestal A	1
2		Pedalpanel	1
3		Vänster och höger armstöd	2

4		Rattpanel	1
5		Vänster och höger teleskopstång	2
6		Växelspakshållare	1
7		Växelspakspanel	1
8		Nivelleringsfot	8
9		Stjärnhandratt M8× 25	2
10		Stjärnhandratt M8×16	6
11		Stjärnhandratt M8×30	2

12		Piedestal B	1
13		Piedestal fast tvärstång	2
14		Piedestal C	2
15		Spännrem	6
16		tillbaka	1
17		plats	1
18		Plastkåpa för vinkeljusterare – vänster	1
19		Plastkåpa för vinkeljusterare – höger	1

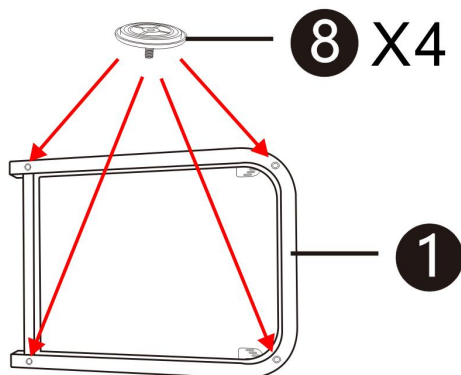
20		fåtölj-vänster	1
21		fåtölj-höger	1
22		Nackstöds kudde	1
23		Ländryggskudde	1
En		Skruv M8 x20	4+1
B		Skruv M8 x35	2+1
C		Skruv M8 x45	2 +1
D		Skruv M6 x16	8+12
E		Flänsmutter M8	6+1

F		Flänsnut M6	2+6
G		Sexkantsnyckel 5 mm	1
H		10-13 öppen ände skiftnyckel	1
Jag		Skriv M8 x 50	2 +1
en		Skriv M8 x 25	8+1
b		Skriv M5 x 8	6+1
d		Skriv M8 x 16	4+1
e		Fjäderbricka M8	8+1
f		Ringnyckel 5mm	1

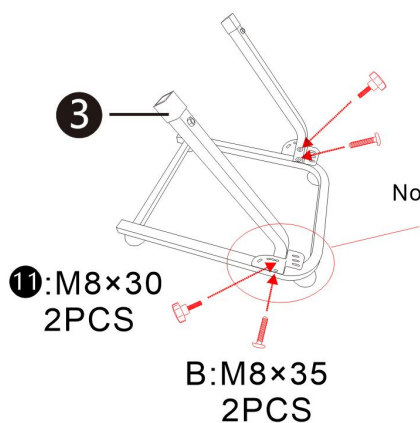
**Obs:** 12 st. skruvar M6\*16 och 6 st. muttrar M6 medföljer utan extra kostnad.

★ För en lista över sitsatser och installation, se den bifogade manualen för sitsinstallationen.

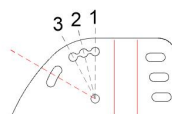
### STEG 1 :



### STEG 2:

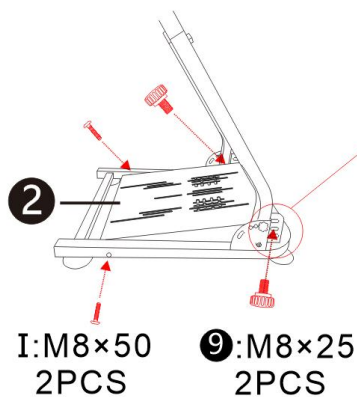


Note: These 3 holes are used to adjust the angle of side arms. choose the appropriate hole position for installation.



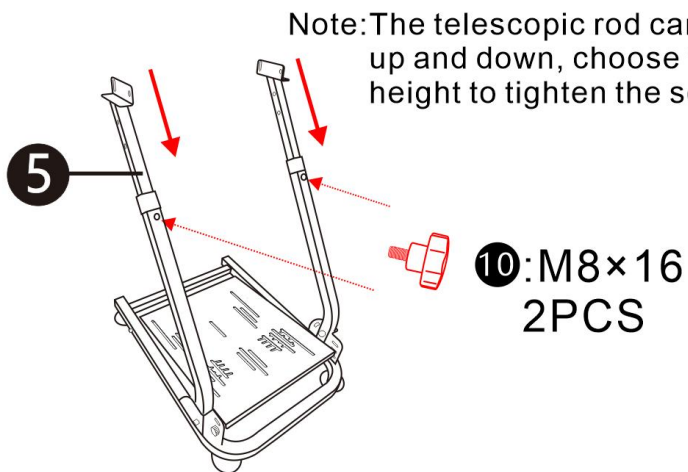
Note: When the main frame is folded, the installation screws of the side arms can be placed in this hole position

### STEG 3:

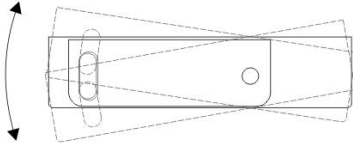


Note: These 3 holes are used to adjust the angle of pedal panel. choose the appropriate hole position for installation.

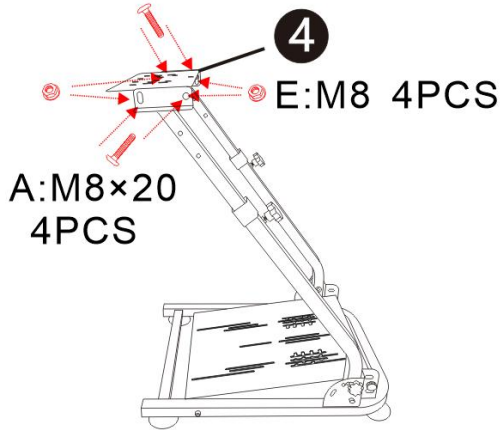
### STEG 4:



**STEP 5:**

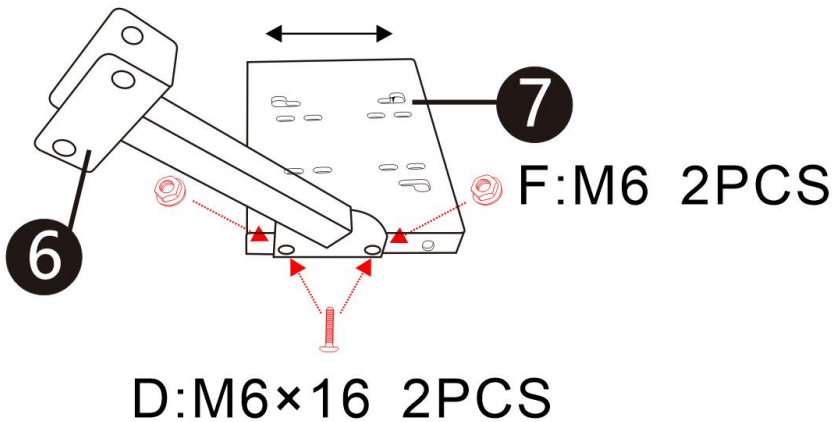


Note: Angle can be adjusted here, choose the appropriate angle for installation.

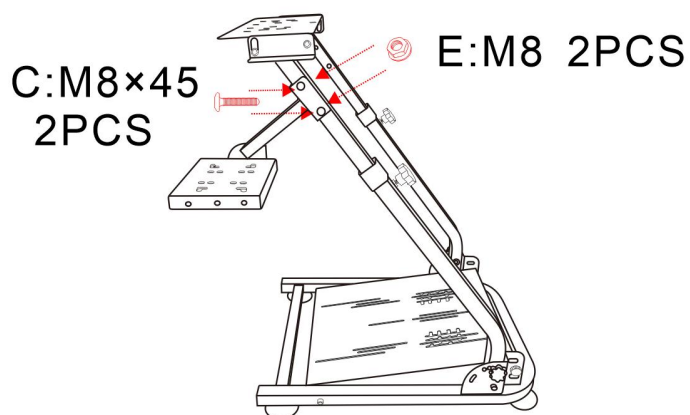


**STEP 6:**

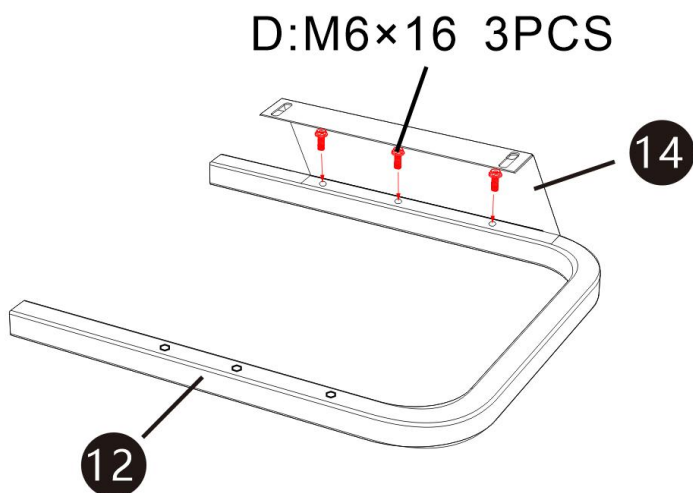
Note: The panel can be adjusted front and back.



**STEG 7:**

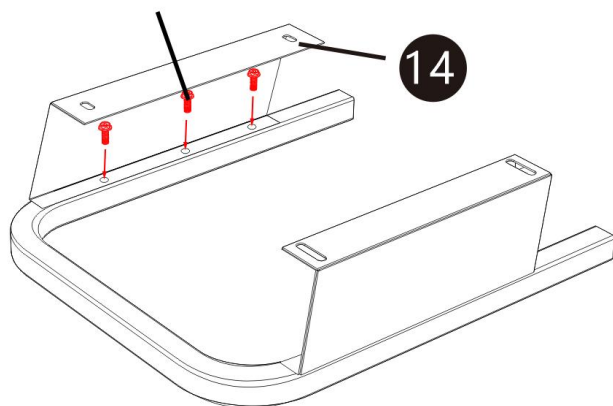


**STEG 8:**



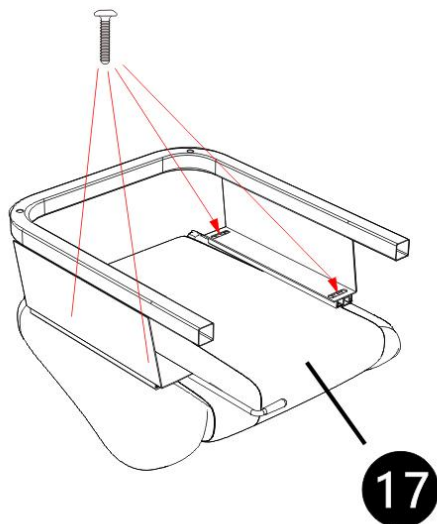
**STEG 9:**

**D:M6×16 3PCS**

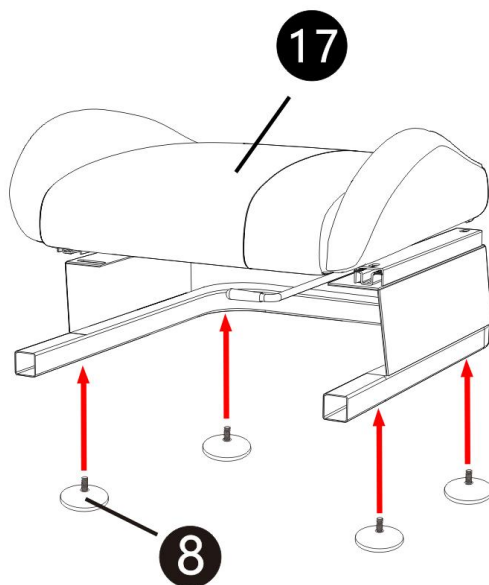


**STEG 10:**

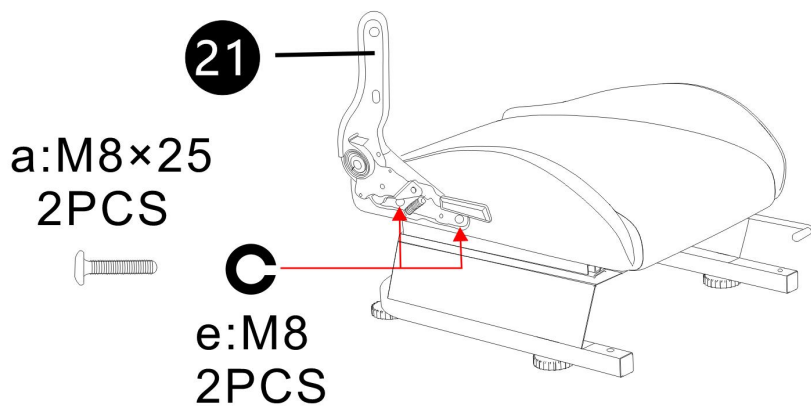
**d:M8×16 4PCS**



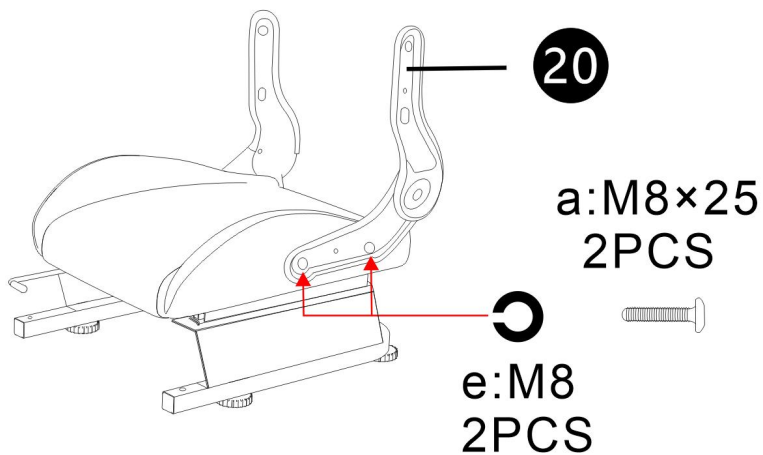
**STEG 1 1:**



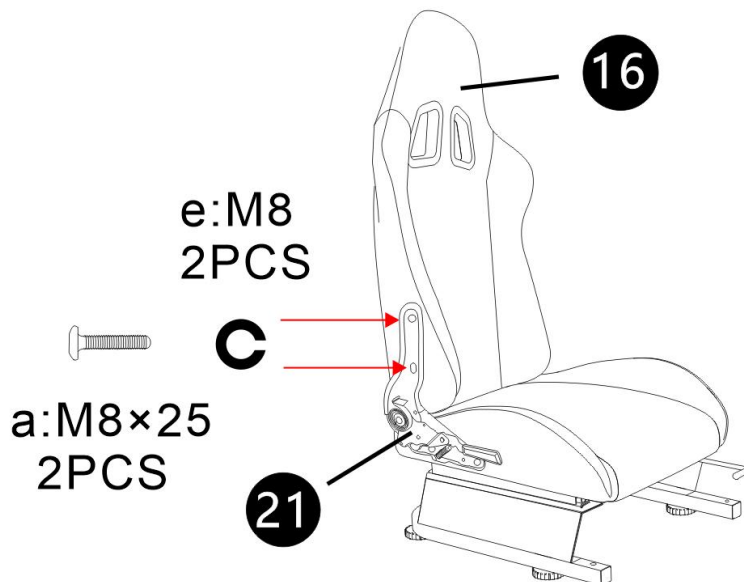
**STEG 1 2:**



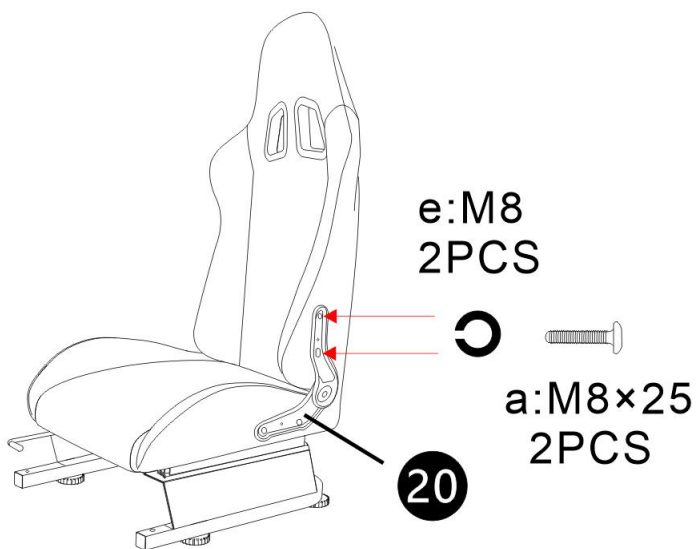
**STEG 1 3:**



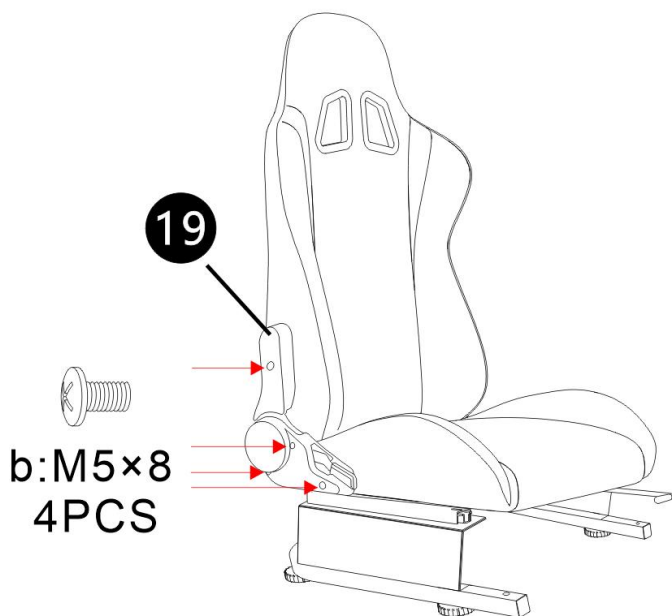
**STEG 14:**



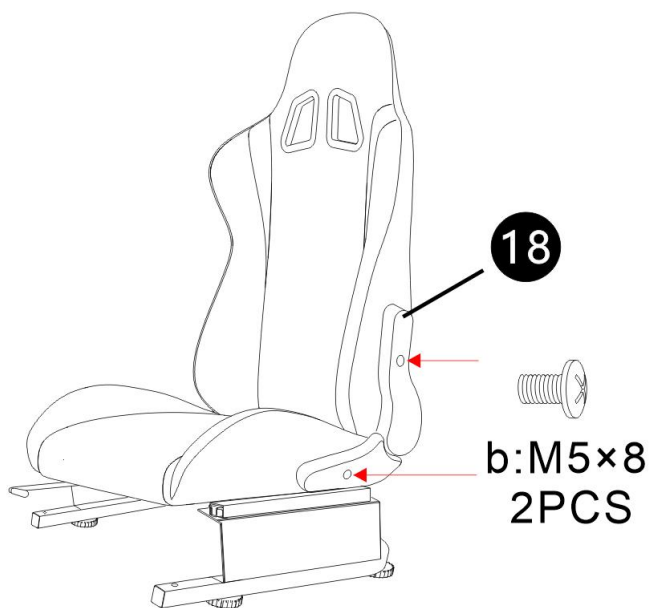
**STEG 1 5:**



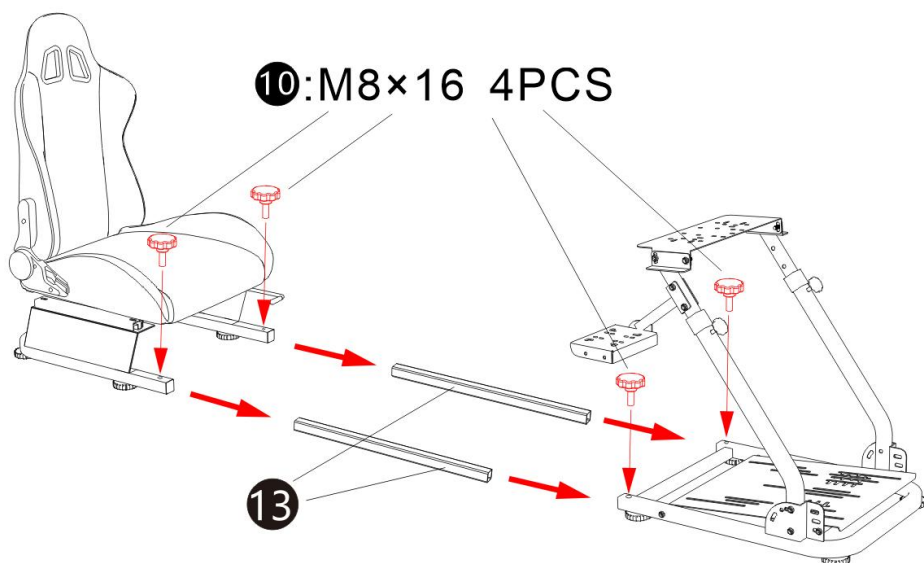
**STEG 1 6:**



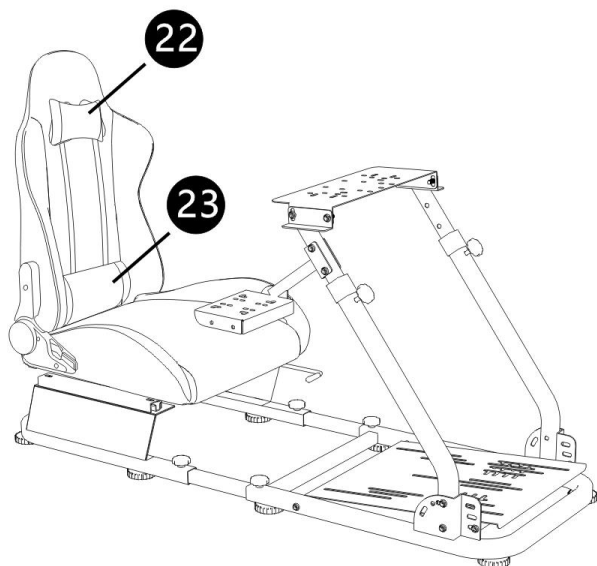
**STEG 17:**



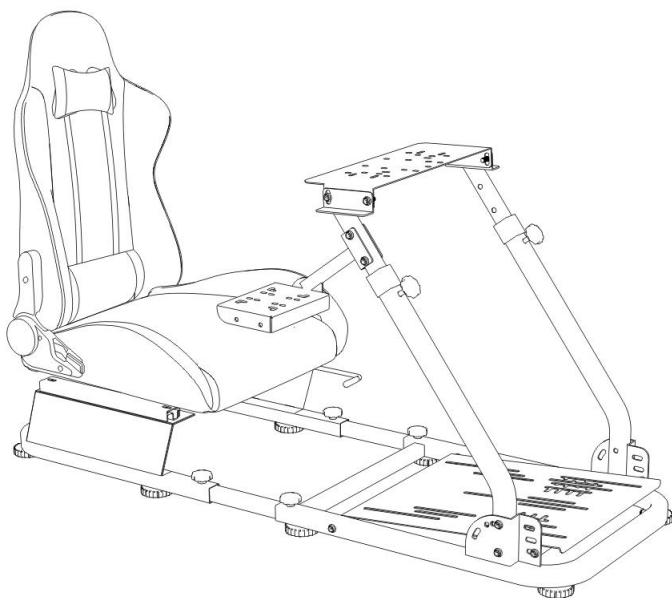
**STEG 18:**



## STEG 1 9:



## Komplett montering



**Tillverkare:** Shanghaimuxinmuyeyouxiangongsi

**Adress:** Shuangchenglu 803nong11hao1602A-1609shi, baoshanqu, Shanghai 200 000 kanadensiska republiken.

**Importerad till Australien:** SIHAO PTY LTD. 1 ROKEVA

STREETEASTWOOD

NSW 2122 Australien

**Importerad till USA:** Sanven Technology Ltd. Suite 250, 9166 Anaheim Plats, Rancho Cucamonga, Kalifornien 91730

<b>UK</b>	<b>REP</b>
-----------	------------

YH CONSULTING LIMITED. C/O YH Consulting Limited Office 147, Centurion House, London Road, Staines-upon-Thames, Surrey, TW18 4AX

<b>EC</b>	<b>REP</b>
-----------	------------

E-CrossStu GmbH  
Mainzer Landstr.69,  
60329 Frankfurt am Main.

