

VEVOR[®]

TOUGH TOOLS, HALF PRICE

Technical Support and E-Warranty Certificate

www.vevor.com/support

WORK LIGHT USER MANUAL

MODEL:AX-ZNGZD-001

AX-ZNGZD-002

AX-ZNGZD-003

We continue to be committed to provide you tools with competitive price.

"Save Half", "Half Price" or any other similar expressions used by us only represents an estimate of savings you might benefit from buying certain tools with us compared to the major top brands and does not necessarily mean to cover all categories of tools offered by us. You are kindly reminded to verify carefully when you are placing an order with us if you are actually saving half in comparison with the top major brands.

VEVOR®

TOUGH TOOLS, HALF PRICE

WORK LIGHT

MODEL:AX-ZNGZD-001.AX-ZNGZD-002.AX-ZNGZD-003



NEED HELP? CONTACT US!

Have product questions? Need technical support? Please feel free to contact us:

Technical Support and E-Warranty Certificate
www.vevor.com/support

This is the original instruction, please read all manual instructions carefully before operating. VEVOR reserves a clear interpretation of our user manual. The appearance of the product shall be subject to the product you received. Please forgive us that we won't inform you again if there are any technology or software updates on our product.



Please read and understand this entire manual before attempting to assemble, operate or install the product.

Lea y comprenda completamente este manual antes de intentar ensamblar, usar o instalar el producto.

WARNING/ADVERTENCIA

- Changes or modifications to this unit not expressly approved by the party responsible for compliance could void the user's authority to operate the equipment.

Los cambios o modificaciones a esta unidad no aprobados expresamente por la parte responsable del cumplimiento podrían anular la autoridad del usuario para operar el equipo

BE EXTREMELY CAREFUL WHEN USING THIS DEVICE. Improper use of this work light can result in injury or death. Follow all safeguards stated in this manual in addition to normal safety precautions in working with electrical devices. **DO NOT** attempt to service this device. / **SEA EXTREMADAMENTE CUIDADOSO AL USAR ESTE DISPOSITIVO.**

El uso inapropiado de esta luz de trabajo puede provocar lesiones graves o la muerte. Cumpla con todas las medidas de seguridad indicadas en este manual, además de las precauciones normales de seguridad para trabajar con dispositivos eléctricos. NO intente reparar este dispositivo.

- When using outdoor portable work lights, always follow basic safety precautions to reduce the risk of electric shock and personal injury.
Cuando utilice las luces de trabajo portátiles en exteriores, tome siempre precauciones de seguridad básicas para reducir el riesgo de descargas eléctricas y lesiones personales
- Failure to observe the following safety rules may result in **FIRE, ELECTRICAL SHOCK INJURY, or EXPOSURE TO EXCESSIVE ULTRAVIOLET RADIATION.**

El incumplimiento de las siguientes reglas de seguridad podría

resultar en INCENDIOS, DESCARGAS ELÉCTRICAS, LESIONES O EXPOSICIÓN A RADIACIÓN ULTRAVIOLETA EXCESIVA.

- Use only 3-wire UL Listed outdoor extension cords that have 3-prong grounded plugs and grounded receptacles that accept the work light's plug.

Use solo extensiones eléctricas para exteriores de tres conductores homologados por UL, que tengan enchufes con puesta a tierra de tres clavijas y receptáculos de puesta a tierra que acepten el enchufe de la luz de trabajo.

- Use only with an extension cord for outdoor use, such as with cord type SEW, SEOW, SEOOW, SOW, SOOW, STW, STOW, STOOW, SJEW, SJEOW, SJEOW, SJW, SJOW, SJOOW, SJTW, SJTOW, or SJTOOW.

Use solo con extensiones eléctricas para uso en exteriores, tales como SEW, SEOW, SEOOW, SOW, SOOW, STW, STOW, STOOW, SJEW, SJEOW, SJEOW, SJWSJOW, SJOOW, SJTW, SJTOW o SJTOOW.

- To avoid electrical shock, do not use near water or in areas where water may accumulate. Keep work light at least 16 ft. from pools or spas. Keep plugs dry. Use only Ground Fault Circuit Interrupter (GFCI) proting receptacles when using this work light in wet or damp locations. Receptacles are available with built-in GFCI protection and are to be used for this measure of safety.

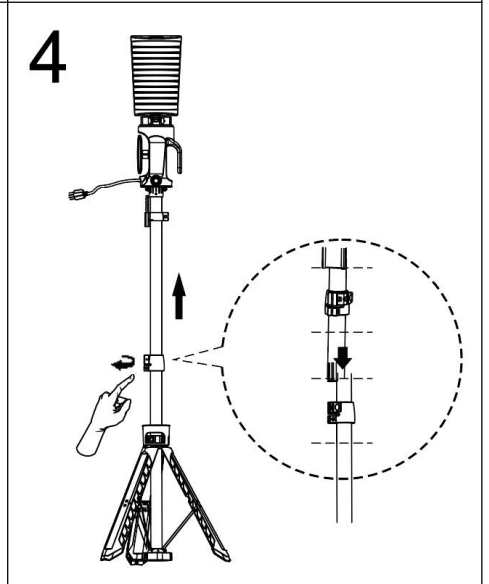
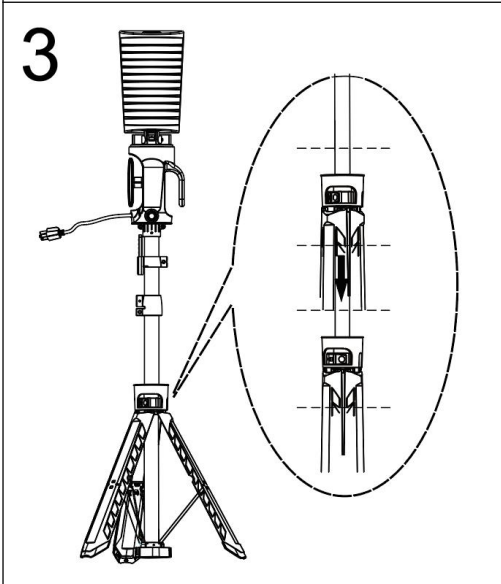
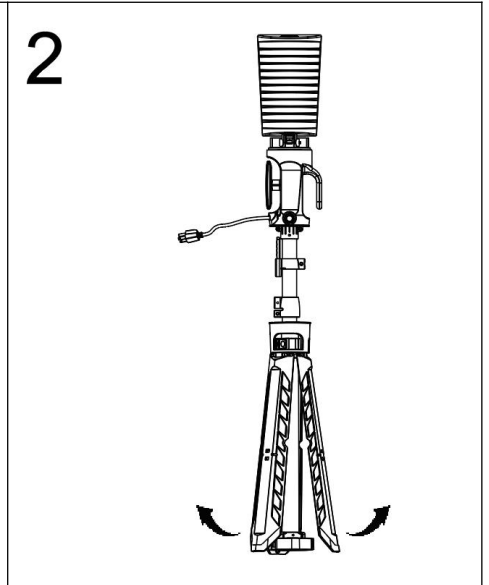
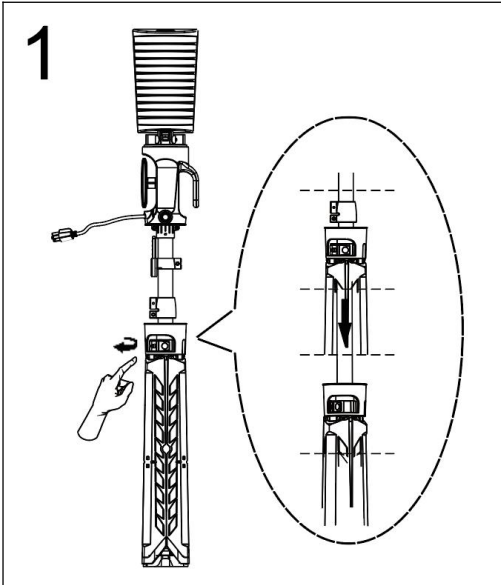
Para evitar descargas eléctricas, no lo use cerca del agua o en áreas donde se pueda acumular agua. Mantenga la luz de trabajo a 4,87 m como mínimo de piscinas o spas. Mantenga los enchufes secos. Use solo receptáculos protegidos por un interruptor de circuito de falla de puesta a tierra (GFCI, por sus siglas en inglés) cuando utilice esta luz de trabajo en ubicaciones húmedas o mojadas. Existen receptáculos con protección GFCI integrada que se pueden utilizar para cumplir con esta medida de seguridad.

IMPORTANT SAFETY INSTRUCTIONS

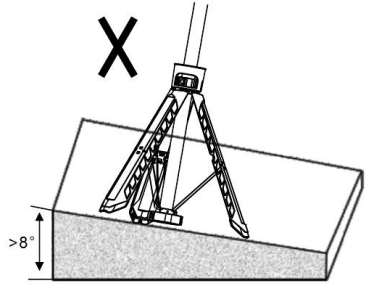
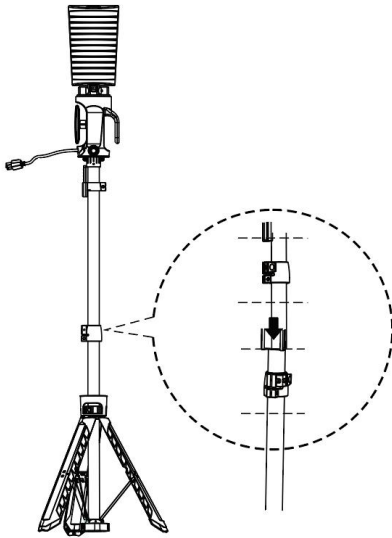
This portable luminaire has a polarized plug (one blade is wider than the other) as a feature to reduce the risk of electric shock. This plug will fit in a polarized outlet only one way. If the plug does not fit fully in the outlet, reverse the plug. If it still does not fit, contact a qualified electrician. Never use with an extension cord unless plug can be fully inserted. Do not alter the plug.

Esta luminaria portátil tiene un enchufe polarizado (una clavija es más ancha que la otra) como característica de seguridad para reducir el riesgo de descarga eléctrica. Este enchufe se introduce en un tomacorriente polarizado de una sola manera. Si el enchufe no encaja por completo en el tomacorriente, inviértalo. Si aún no encaja, póngase en contacto con un electricista calificado. Nunca utilice extensiones eléctricas a menos que el enchufe pueda insertarse completamente. No modifique el enchufe.

SAVE THESE INSTRUCTIONS

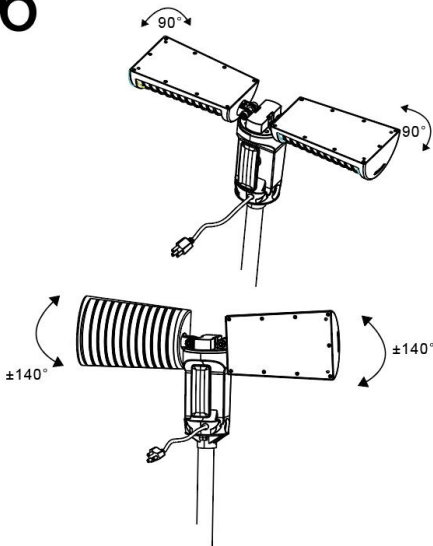


5

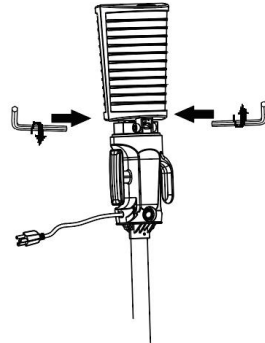


Ensure the work light is not placed on a surface with greater than 8° slope.
Asegúrese de que la luz de trabajo no esté colocada en una superficie con una inclinación superior a los 8°.

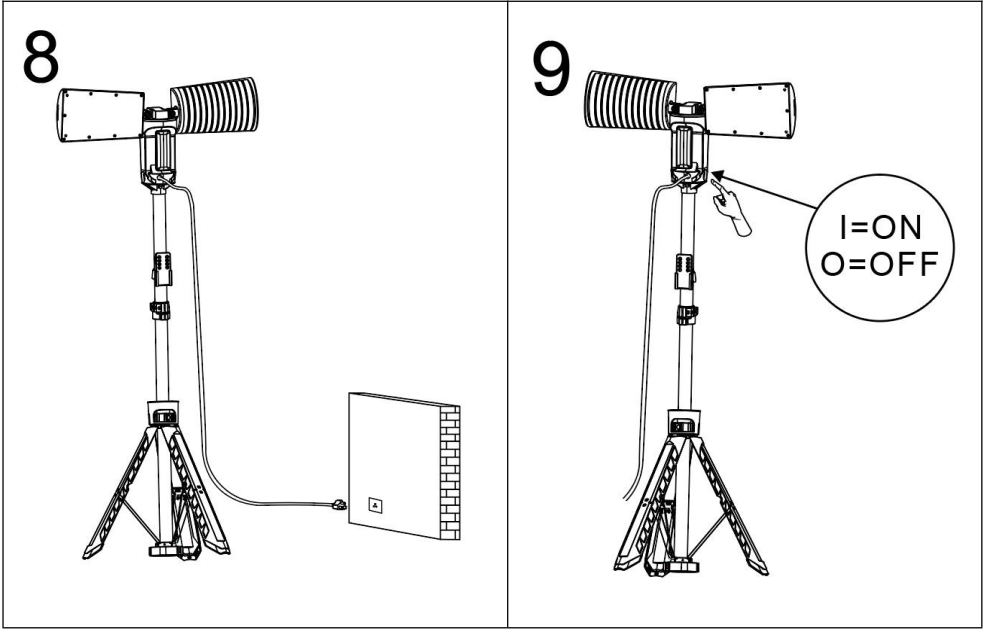
6



7

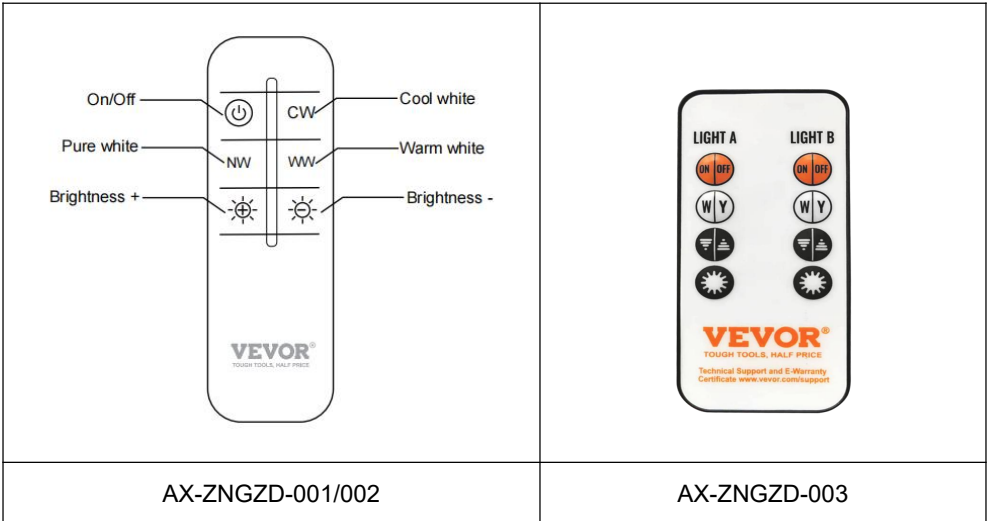


If the light heads are either too loose or tight after adjustment, tighten the screw in the shaft with the wrench (AA).
Si los cabezales de la luz están demasiado sueltos o apretados después del ajuste, apriete el tornillo en la varilla como se muestra con la llave (AA) proporcionada.



Tripod work light two-color controller program

Remote Control Manual

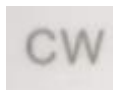


Switch Button Manual

(AX-ZNGZD-001/2)



: Switch : Turn on/off the light



: Cold white light :press this key turn to cold white light



: White light :press this key turn to white light



: Warm white light: press this key turn to warm white light



: Increase brightness :press this key to increase the brightness,4 level ,25% , 50% , 75% , 100%

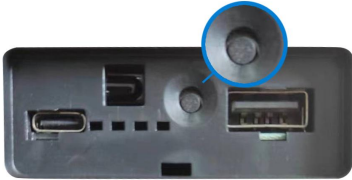


: Reduce brightness: press this key to reduce the brightness, 4 level , 100%, 75% , 50% ,25%,

Switch Button Manual

(AX-ZNGZD-003)

When you choose not to use the remote control to operate the light, you can use the round on/off button to the left of the USB port.



1. Turn on the light: With a single click, randomly light up one of the left and right lights.

2. Switching status: When one light is on, double click, switch the other light on

(color temperature remains unchanged), double click again, and both lights are on. Cycle control.

3. Color temperature adjustment: When the light is on, click within 5 seconds after the last operation. Cycle control.

4. Turn off the light: single click at least 5 seconds after the last operation.

PACKAGE LIST

1.Data cable × 1 (Battery version)

2.Remote control unit × 1

3.Wrench × 1



This device complies with Part 15 of the FCC Rules. Operation is subject to the following two conditions:(1)This device may not cause harmful interference, and (2)this device must accept any interference received, including interference that may cause undesired operation.

VEVOR[®]
TOUGH TOOLS, HALF PRICE

Technical Support and E-Warranty Certificate
www.vevor.com/support