

VEVOR[®]

TOUGH TOOLS, HALF PRICE

Technical Support and E-Warranty Certificate www.vevor.com/support

WORKBENCH USER MANUAL

GZT60*60*80

GZT60*60*88

GZT76*60*80

GZT90X60J

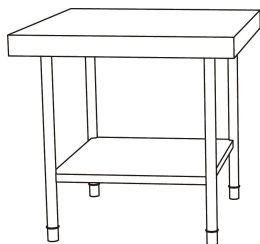
We continue to be committed to provide you tools with competitive price.

"Save Half", "Half Price" or any other similar expressions used by us only represents an estimate of savings you might benefit from buying certain tools with us compared to the major top brands and does not necessarily mean to cover all categories of tools offered by us. You are kindly reminded to verify carefully when you are placing an order with us if you are actually saving half in comparison with the top major brands.

VEVOR®

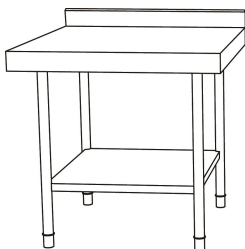
TOUGH TOOLS, HALF PRICE

WORKBENCH



GZT60*60*80

GZT76*60*80



GZT60*60*88



GZT90X60J

NEED HELP? CONTACT US!

Have product questions? Need technical support? Please feel free to contact us:

Technical Support and E-Warranty Certificate
www.vevor.com/support

This is the original instruction, please read all manual instructions carefully before operating. VEVOR reserves a clear interpretation of our user manual. The appearance of the product shall be subject to the product you received. Please forgive us that we won't inform you again if there are any technology or software updates on our product.

SAFETY INSTRUCTIONS

WARNING:

Read this material before using this product. Failure to do so can result in serious injury.

Assembly precautions

1. Assemble only according to these instructions. Improper assembly can create hazards.
2. Keep the assembly area clean and well-lit.
3. Keep bystanders out of the area during assembly.
4. Do not assemble when tired or when under the influence of alcohol, drugs or medication.
5. The product capabilities apply to properly and completely assembled products only.
6. For additional information regarding the parts listed in the following pages, please refer to the Assembly Diagram of this manual. Unwrap and separate all parts in a clean work area.

Use precautions

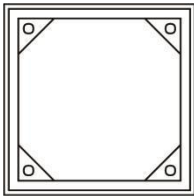
1. Use with products heavier than the rated weights indicated may result in instability causing possible injury.
2. Mounts must be attached as specified in assembly instructions. Improper installation may result in damage or serious personal injury.
3. Make sure that the supporting surface will safely support the combined weight of the equipment and all attached hardware and components.
4. Use the mounting screws provided and **DO NOT OVER TIGHTEN** mounting screws.
5. This product contains small items that could be a choking hazard if swallowed. Keep these items away from children.
6. This product is intended for indoor use only. Using this product outdoors could lead to product failure and personal injury.

SAVE THIS MANUAL

PRODUCT PARAMETER

Model	Maximum Loaded Weight	Product Size
GZT60*60*80	Top 400 pounds Floor 300 pounds	600*600*800mm
GZT60*60*88		600*600*800mm
GZT76*60*80		600*600*800mm
GZT90X60J		900*600*800mm

PARTS LIST



A x 1



B x 4



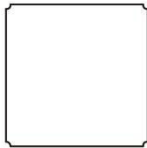
C x 12



D x 4



E x 1



F x 1



G x 4



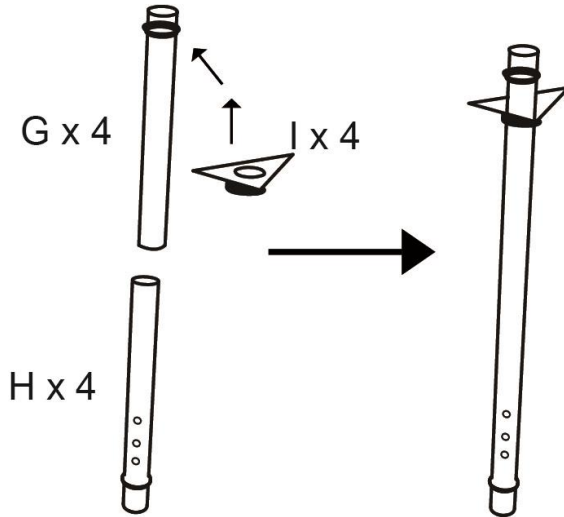
H x 4



I x 4

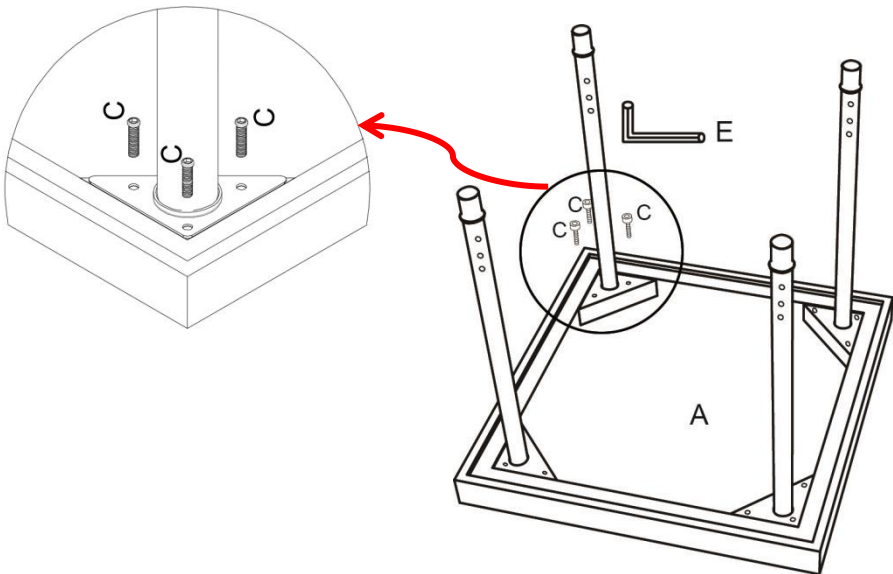
ASSEMBLY STEP

STEP1

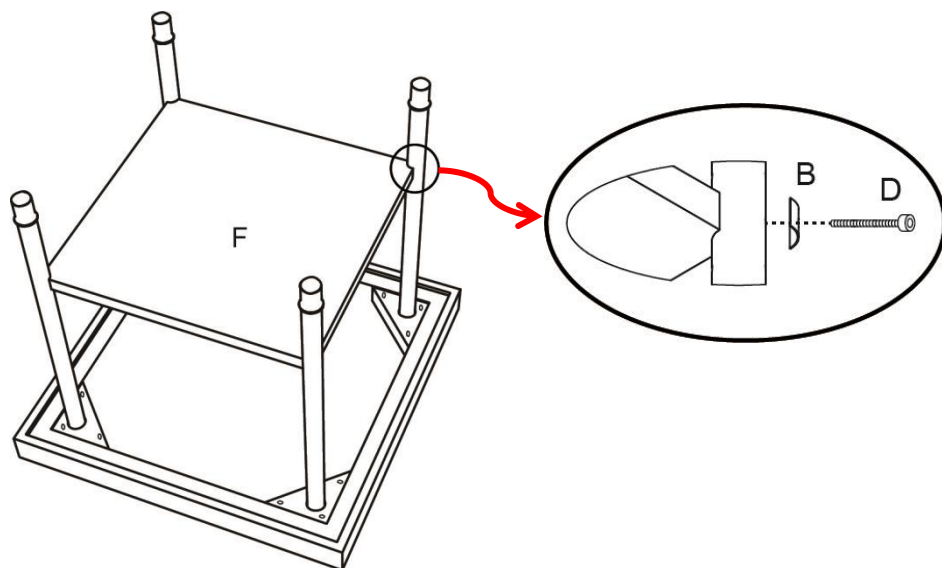


Note: The table legs are in one section, please skip this step.

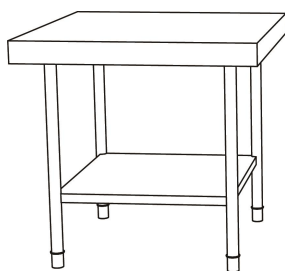
STEP2



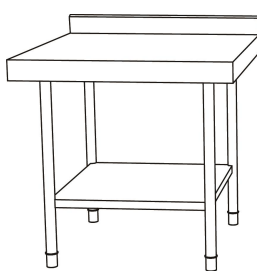
STEP3



STEP4



GZT60*60*80
GZT76*60*80



GZT60*60*88



GZT90X60J

Manufacturer: Shanghaimuxinmuyeyouxiangongsi

Address: Shuangchenglu 803nong11hao1602A-1609shi, baoshanqu, shanghai 200000 CN.

Imported to AUS: SIHAO PTY LTD. 1 ROKEVA STREETEASTWOOD NSW 2122 Australia

Imported to USA: Sanven Technology Ltd. Suite 250, 9166 Anaheim Place, Rancho Cucamonga, CA 91730



E-CrossStu GmbH
Mainzer Landstr.69, 60329 Frankfurt am Main.



YH CONSULTING LIMITED.
C/O YH Consulting Limited Office 147, Centurion House, London Road, Staines-upon-Thames, Surrey, TW18 4AX

VEVOR[®]

TOUGH TOOLS, HALF PRICE

Technical Support and E-Warranty Certificate

www.vevor.com/support