

VEVOR[®]

TOUGH TOOLS, HALF PRICE

Technical Support and E-Warranty Certificate

www.vevor.com/support

ELECTRIC PORTABLE HEATER

MODEL: IM KPT-2000 5178SL

We continue to be committed to provide you tools with competitive price.

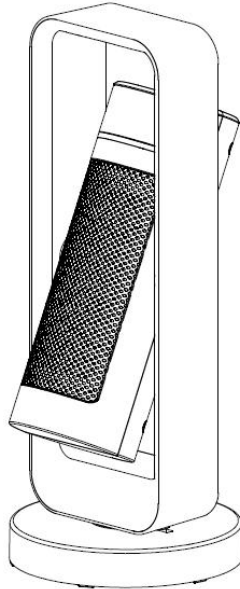
"Save Half", "Half Price" or any other similar expressions used by us only represents an estimate of savings you might benefit from buying certain tools with us compared to the major top brands and does not necessarily mean to cover all categories of tools offered by us. You are kindly reminded to verify carefully when you are placing an order with us if you are actually saving half in comparison with the top major brands.

VEVOR®

TOUGH TOOLS, HALF PRICE

ELECTRIC PORTABLE HEATER

MODEL:IM KPT-2000 5178SL



NEED HELP? CONTACT US!

Have product questions? Need technical support? Please feel free to contact us:

✉ CustomerService@vevor.com

This is the original instruction, please read all manual instructions carefully before operating. VEVOR reserves a clear interpretation of our user manual. The appearance of the product shall be subject to the product you received. Please forgive us that we won't inform you again if there are any technology or software updates on our product.

IMPORTANT SAFETY INFORMATION

To ensure the best performance from your heater, please read and save the following instructions.

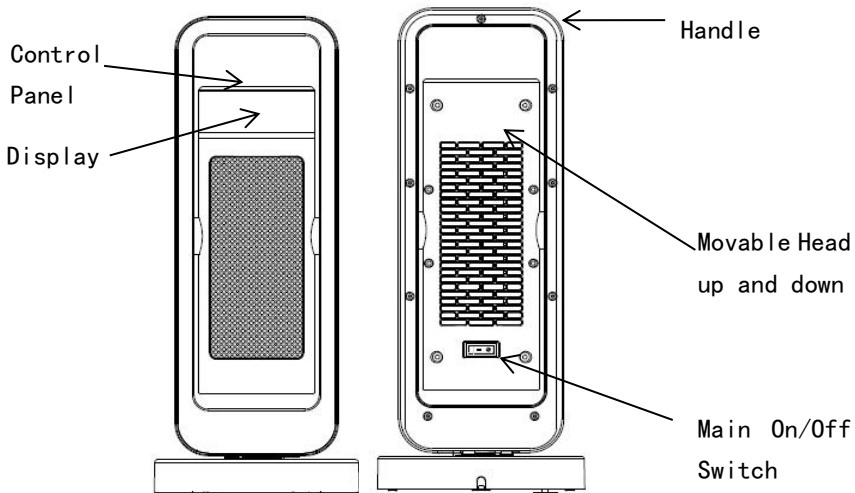
WHEN USING ELECTRICAL APPLIANCES, BASIC PRECUATIONS SHOULD ALWAYS BE FOLLOWED TO REDUCE THE RISK OF FIRE, ELECTRIC SHOCK AND INJURY TO PERSON, INCLUDING THE FOLLOWING:

- Read all instructions before using this heater.
- This heater is hot when in use. To avoid burns, do not let bare skin touch hot surfaces. Use grip handle when provided.
- Keep combustible materials such as drapes, furniture, pillows, bedding, papers, clothes, and curtains at least three (3) feet (0.9m) from the front of heater and keep them at least 1 foot (0.3m) the sides and rear of the heater.
- Extreme caution is necessary when heater is used by or near children or invalids and whenever the heater is left operating and unattended.
- Always unplug heater when not in use.
- Do not use any heater with a damaged cord or plug or after the heater malfunctions or has been dropped or damaged in any manner. Return heater to manufacturer for examination, electrical or mechanical adjustment, or repair. (See Warranty for information).
- Do not use outdoors.
- This heater is not to be used in bathrooms, laundry areas or other similar indoor locations. Never locate heater where it may fall into a bathtub or other water container.
- Do not run cord under carpeting. Do not cover cord with throw rugs, runners or the like. Arrange cord away from traffic area where it will not be tripped over.
- To disconnect heater, turn control to OFF then remove plug from outlet.
- Do not insert or allow foreign objects to enter any ventilation or exhaust opening as this may cause electric shock or fire or damage the heater.
- To prevent possible fire, do not block air intakes or exhaust in any manner. Do not use on soft surfaces, like a bed, where openings may

become blocked.

- A heater has hot and arcing or sparking parts inside. Do not use it in areas where gasoline, paint or flammable liquids are used or stored.
- Use this heater only as directed in this manual. Any other use not recommended by the manufacturer may cause fire, electric shock or injury to persons.
- Always plug heaters directly into a wall outlet/receptacle. Never use with an extension cord or relocatable power tap (outlet/power strip).
- If the heater will not operate: See specific instructions in Safety Feature explained in this manual.

OVERVIEW








OPERATION

1. Before inserting the plug into an electrical outlet, make sure that the electrical supply in your area matches that on the rating label on the unit.
2. When plugged in, turn on the Main power switch at the rear of the unit.
3. When in Standby mode, only ON/OFF on the control panel will respond to your touch. Press ON/OFF to access the rest of the control panel.

Control panel



- a) Press  ,switch to Low Power ,press again,it turns to fan function, and the heater will turn off automatically in 30 seconds.
- b) Press  ,switch to High Power,press it again, turns to low power, press it third time, it turns to fan function.
- c) Press  again, the heater will turn off automatically in 30 seconds.
- d) TIMER: Press  repeatedly to set a period after which the heater will turn itself off (between 1 hour - 12 hours, in steps of 1 hour)
During timer operation, the remaining operating time is displayed, until the heater turns itself off. Pressing the timer button once more after the display shows 00 hours will cancel the timer.
- e) OSC: Press  to activate oscillation. Press again to cancel.
- f) **‘+’& ‘-’**
Press ‘+’& ‘-’ to adjust thermostat control .Temperature setting from 50-95°F. “+” to increase the desired temperature and “-“ to decrease the desired temperature.
- g) Movable head up and down: Push the unit back to have the different angles to use.

⚠ WARNING

- **INGESTION HAZARD:** This product contains a button cell or coin battery.
- **DEATH** or serious injury can occur if ingested.
- A swallowed button cell or coin battery can cause Internal Chemical **Burns** in as little as 2 hours.
- **KEEP** new and used batteries **OUT OF REACH of CHILDREN**
- **Seek immediate medical attention** if a battery is suspected to be swallowed or inserted inside any part of the body.



★Remove and immediately recycle or dispose of used batteries according to local regulations and keep away from children. Do NOT dispose of batteries in household trash or incinerate.

★Even used batteries may cause severe injury or death.*Call a local poison control center for treatment information.

★Replace the battery with 1“CR2025” button cell battery and dispose of the used battery properly and in accordance with local law and ordinances.

★The nominal battery voltage of the "CR2025" button battery is 3.0V.

★Non-rechargeable batteries are not to be recharged.

★Do not force discharge, recharge, disassemble, heat above 70°C(158°F) or incinerate. Doing so may result in injury due to venting, leakage or explosion resulting in chemical burns.

★Ensure the batteries are installed correctly according to polarity (+ and -).

★Do not mix old and new batteries, different brands or types of batteries such as alkaline, carbon-zinc, or rechargeable batteries.

★Remove and immediately recycle or dispose of batteries from equipment not used for an extended period of time according to local regulations.

★Always completely secure the battery compartment. If the battery compartment does not close securely, stop using the product, remove the batteries, and keep them away from children.

Warning:

The heater will remain hot for some time after it is turned off; handle with care.

Remote control

Please use Lithium battery CR2025 3V.

NOTE: the remote control buttons perform the same functions as those on the control panel on the unit.



TIP-OVER PROTECTION

This heater is protected with a safety switch that turns off the appliance automatically when the heater falls over, or is at an excessive angle from the horizontal. This helps prevent accidents, and the heater will resume operation when it is put back upright.

THERMAL CUTOFF

This heater is protected with thermal cutoff protection that switches off the appliance automatically in case of severe overheating. In this case, unplug the appliance, wait about 30 minutes for it to cool and remove any possible cause of overheating, eg. something covering the heater. Check for damage to the appliance, the cord and the plug. If there is no damage, plug the unit back in and switch it on as described above. If the heater still does not turn on, please contact Customer Service for assistance.

CLEANING & MAINTENANCE

- Before undertaking any cleaning or maintenance on the appliance, disconnect it from the power supply.
- For cleaning it is recommended to use a soft moist rag and neutral detergent. Do not use an abrasive cloth or devices which could affect the appearance of the appliance. Check that the hot air outlet and the ventilation inlet are free of dust and dirt.

During cleaning, be careful not to touch the heating elements.

- In case of breakdown and/or poor functioning of the appliance, disconnect the appliance from the power supply and contact an authorised repairer.

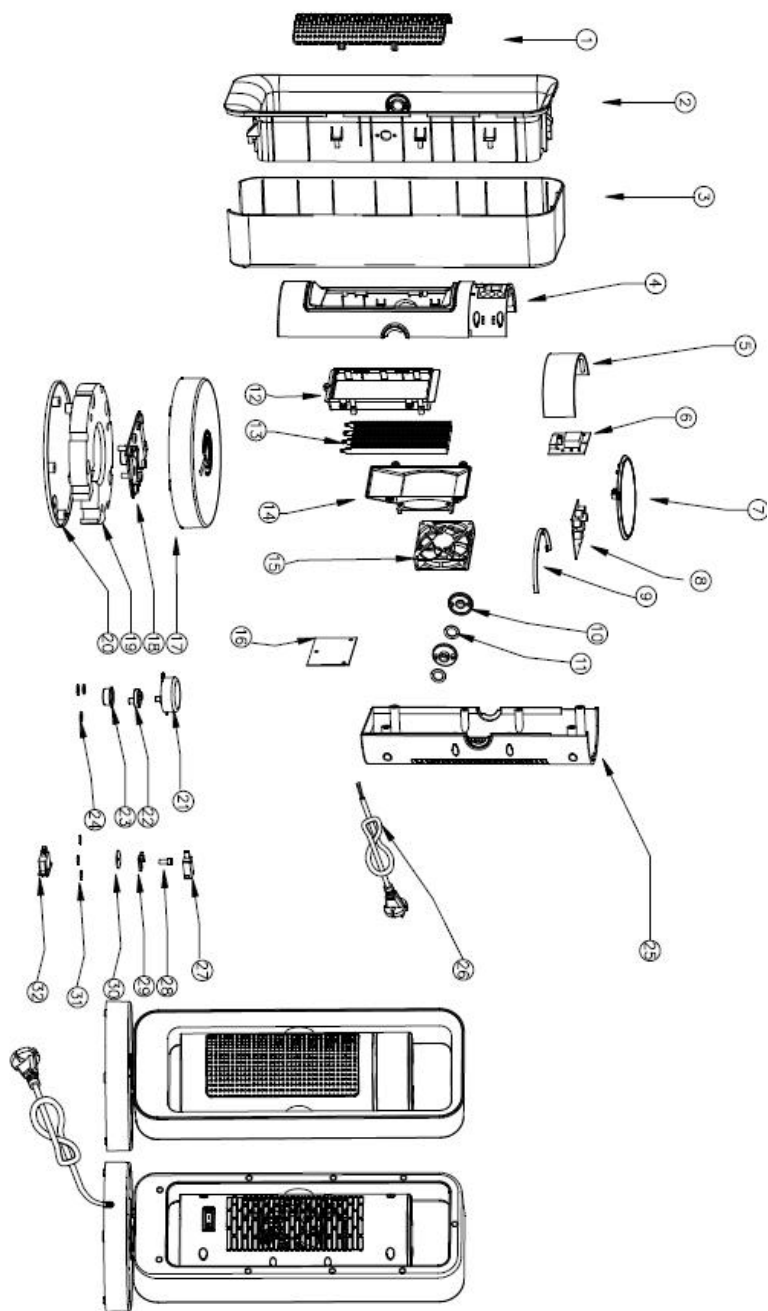
SPECIFICATIONS

Model	KPT-2000 5178SL
Voltage	AC120V
Frequency	60Hz
Max Power	1500W
Temperature	50-95°F

TROUBLESHOOTING

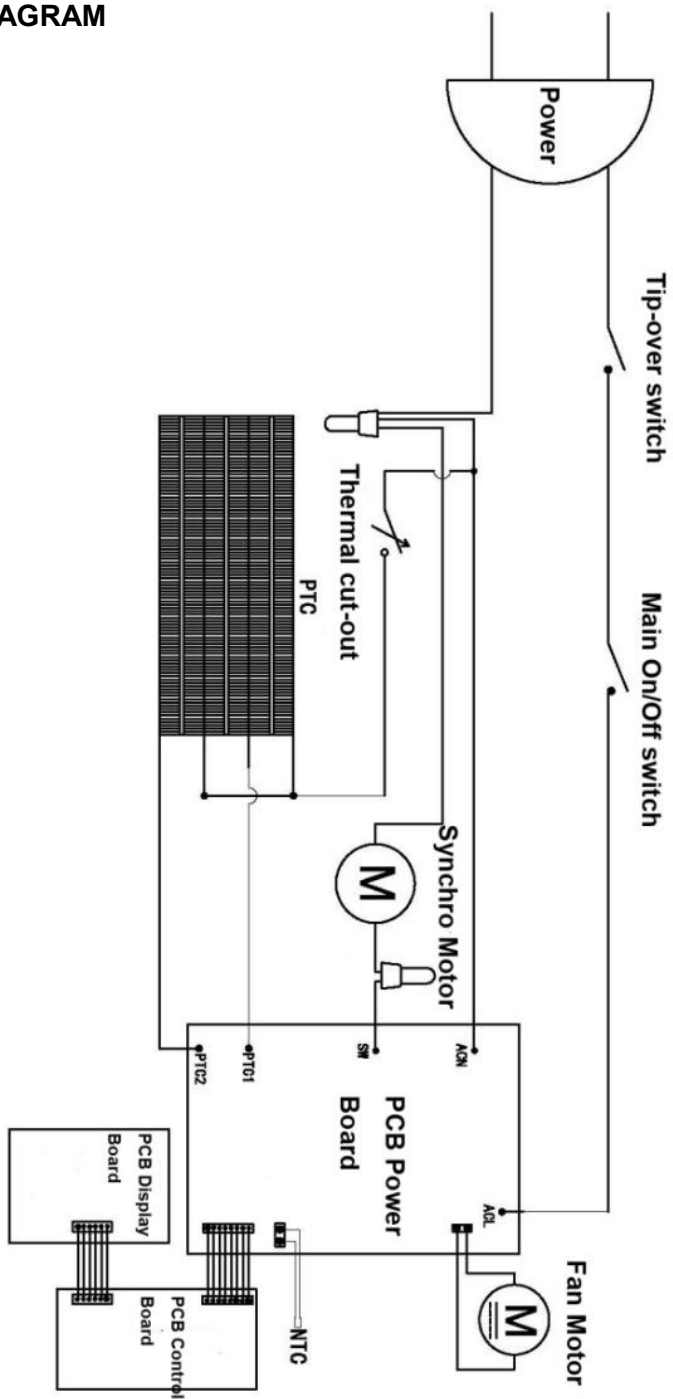
1. If the heater does not operate, please check the following:
2. Check if the power cord is plugged into an electrical outlet. If not, plug the unit into an appropriate outlet.
3. Check if the electricity to the outlet is working.
4. Ensure the power is turned to the ON position.
5. Make sure the heater is placed on a flat, solid surface.
6. Refer to the SAFETY FEATURES for additional information.
7. Check to see if the battery in the remote control is placed correctly and in working order.

ACCESSORIES VIEW



1.Grille	2.Front Body(Handle Frame)	3.Back Body(Handle Frame)
4.Front Body(Working Unit)	5.Display Window	6.Pcb Display Board
7.Top Cover	8.Pcb Control Panel	9.Declaration Ring
10.Fixing Support	11.Silicone Loop	12.Ptc Support
13.Ptc	14.Fan Motor Support	15.Fan Motor
16. Pcb Power Board	17.Basement	18.Synchro Motor Fixing Board
19.Weight	20.Basement Cover	21.Synchro Motor
22. Eccentric Gear	23.Axle Sleeve	24.Fixing Washer
25.Back Body(Working Unit)	26. Power Cord	27.Tip-Over Switch
28-30.Plastic Sets for Tip-Over Switch	31.Washer	32.Main On/Off Switch

CIRCUIT DIAGRAM



VEVOR[®]

TOUGH TOOLS, HALF PRICE

Technical Support and E-Warranty Certificate

www.vevor.com/support