

VEVOR[®]

TOUGH TOOLS, HALF PRICE

Technical Support and E-Warranty Certificate
www.vevor.com/support

ELECTRIC PORTABLE HEATER

MODEL: IM KPT-150 0594

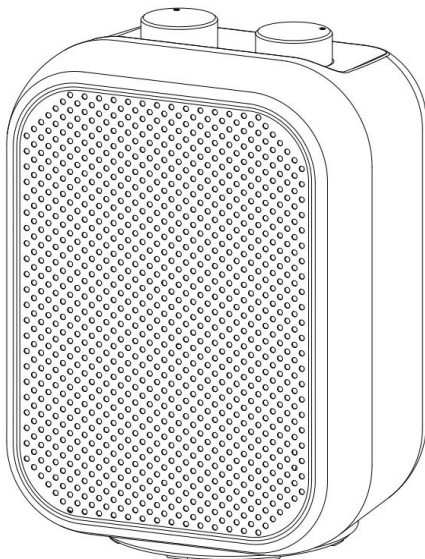
We continue to be committed to provide you tools with competitive price. "Save Half", "Half Price" or any other similar expressions used by us only represents an estimate of savings you might benefit from buying certain tools with us compared to the major top brands and does not necessarily mean to cover all categories of tools offered by us. You are kindly reminded to verify carefully when you are placing an order with us if you are actually saving half in comparison with the top major brands.

VEVOR®

TOUGH TOOLS, HALF PRICE

ELECTRIC PORTABLE
HEATER

MODEL:IM KPT-150 0594



NEED HELP? CONTACT US!

Have product questions? Need technical support? Please feel free to contact us:

✉ CustomerService@vevor.com

This is the original instruction, please read all manual instructions carefully before operating. VEVOR reserves a clear interpretation of our user manual. The appearance of the product shall be subject to the product you received. Please forgive us that we won't inform you again if there are any technology or software updates on our product.

Please read the following information carefully before using the appliance for the first time for your own safety and to ensure correct use.

IMPORTANT INSTRUCTIONS

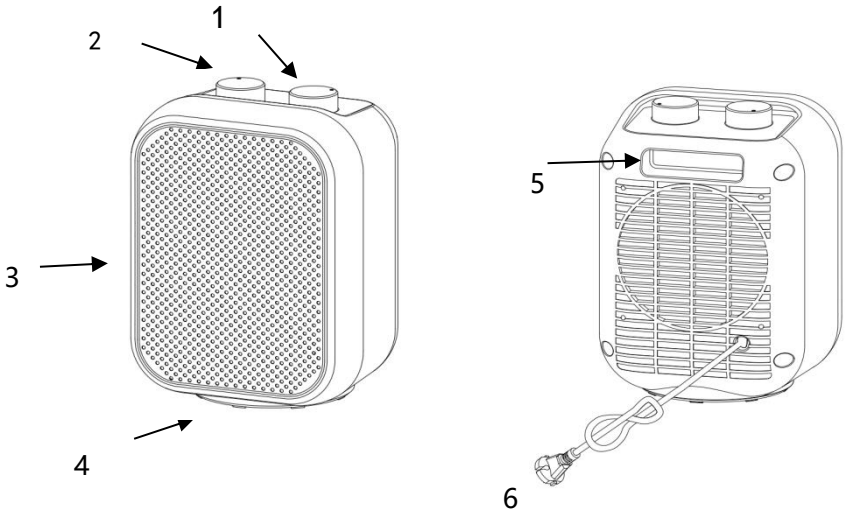
To ensure the best performance from your heater, please read and save the following instructions.

WHEN USING ELECTRICAL APPLIANCES, BASIC PRECAUTIONS SHOULD ALWAYS BE FOLLOWED TO REDUCE THE RISK OF FIRE, ELECTRIC SHOCK AND INJURY TO PERSON, INCLUDING THE FOLLOWING:

- Read all instructions before using this heater.
- This heater is hot when in use. To avoid burns, do not let bare skin touch hot surfaces. Use grip handle when provided.
- Keep combustible materials such as drapes, furniture, pillows, bedding, papers, clothes, and curtains at least three (3) feet (0.9m) from the front of heater and keep them at least 1 foot (0.3m) the sides and rear of the heater.
- Extreme caution is necessary when heater is used by or near children or invalids and whenever the heater is left operating and unattended.
- Always unplug heater when not in use.
- Do not use any heater with a damaged cord or plug or after the heater malfunctions or has been dropped or damaged in any manner. Return heater to manufacturer for examination, electrical or mechanical adjustment, or repair. (See Warranty for information).
- Do not use outdoors.
- This heater is not to be used in bathrooms, laundry areas or other similar indoor locations. Never locate heater where it may fall into a bathtub or other water container.
- Do not run cord under carpeting. Do not cover cord with throw rugs, runners or the like. Arrange cord away from traffic area where it will not be tripped over.
- To disconnect heater, turn control to OFF then remove plug from outlet.

- Do not insert or allow foreign objects to enter any ventilation or exhaust opening as this may cause electric shock or fire or damage the heater.
- To prevent possible fire, do not block air intakes or exhaust in any manner. Do not use on soft surfaces, like a bed, where openings may become blocked.
- A heater has hot and arcing or sparking parts inside. Do not use it in areas where gasoline, paint or flammable liquids are used or stored.
- Use this heater only as directed in this manual. Any other use not recommended by the manufacturer may cause fire, electric shock or injury to persons.
- Always plug heaters directly into a wall outlet/receptacle. Never use with an extension cord or relocatable power tap (outlet/power strip).
- If the heater will not operate: See specific instructions in Safety Feature explained in this manual.

KNOW YOUR PRODUCT

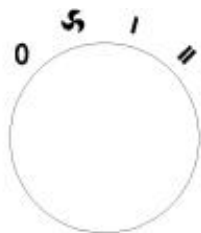


- 1、 Thermostat control switch
- 3、 Air outlet grille
- 5、 Handle

- 2、 Heat select switch
- 4、 Base
- 6、 Power cord

USING THE HEATER

Heat setting



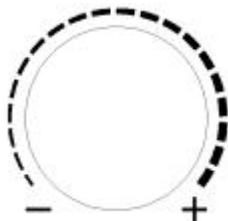
0..... OFF

☄Nature wind setting

I.....LOW heat setting

II....HIGH heat setting

THERMOSTAT



Set the thermostat to "max." and operate the appliance until the desired room temperature is reached. Turn the thermostat anticlockwise until the appliance switches off with an audible "click".

This set temperature will be kept almost constant by the appliance switching on and off automatically.

Please note that the appliance does not switch on unless the thermostat setting is higher than the room temperature.

TIP OVER SWITCH

Your heater is designed to automatically shut the heater off when tipped forward or backward. The unit will automatically turn on once it is returned to its normal upright position.

Do not use on thick and long pile carpets, as the heater may not work, due the tip over switch not been activated.

SAFETY SYSTEM

In the event of abnormal overheating, a safety device shuts down the appliance automatically. After a short cooling down phase, the appliance is ready for use again.

If you still notice the same defect as above mentioned, remove the plug from the socket and consult your authorized dealer to your after-sales service department.

During use, do not touch or cover the air outlet. This may cause the unit to over heat, and the safety device to operate.

MAINTENANCE

Your appliance must be switch OFF via the main power supply and unplugged before proceeding with any cleaning work.

Clean the housing with a lightly damp cloth, a vacuum cleaner or a dusting brush.

Never use flammable or abrasive cleaning agents such as benzene or spirit to clean the appliance.

Never immerse the appliance in water!

Clean the air inlet and outlet regularly with a vacuum cleaner.

If the appliance is not used for an extended period it must be protected against excessive dust and dirt. Please dismount the heater and store in a dry place away from sunlight and dirt.

SPECIFICATIONS

Model No	KPT-150 0594
Voltage	AC120V
Frequency	60Hz
Max Power	1500W
Weight	1.13kg
Size	243*110*276mm

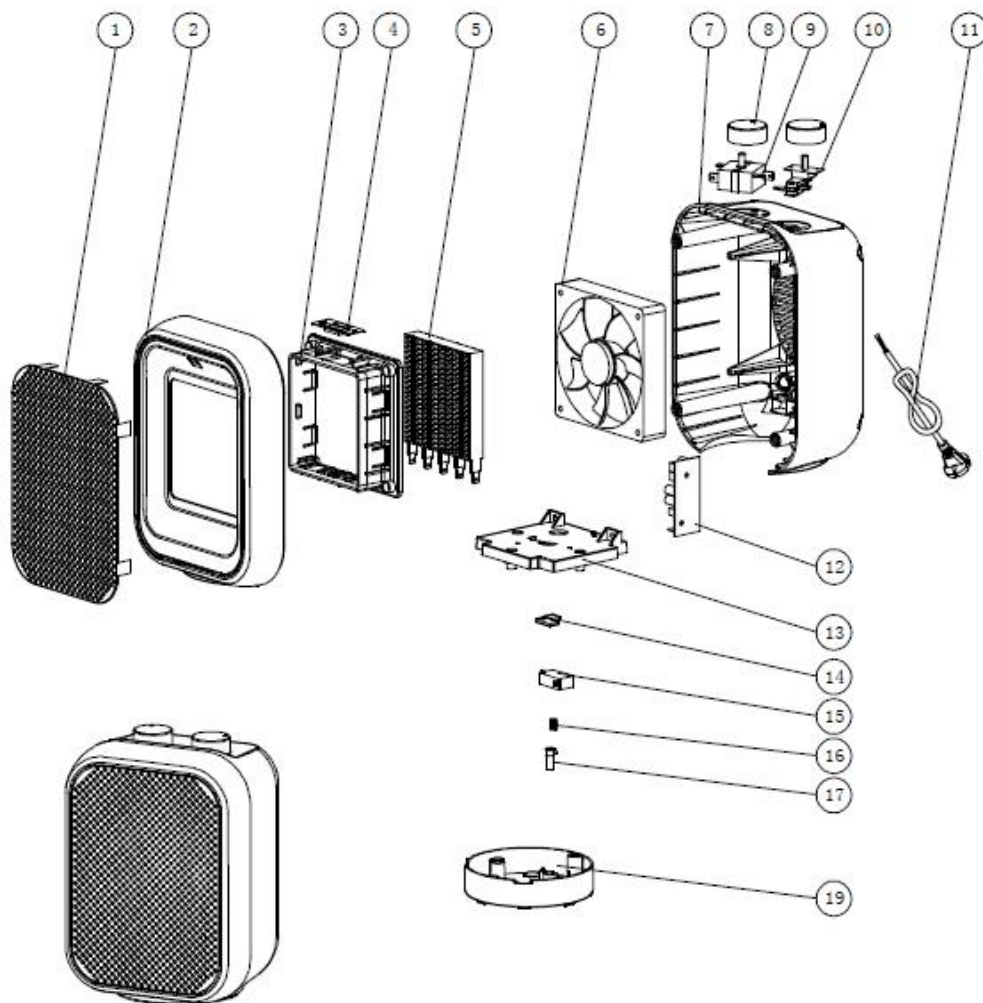
TROUBLESHOOTING

If the heater will not operate, please check the following:

1. Check if the power cord is plugged into an electrical outlet. If not, plug the unit into an appropriate outlet.
2. Check if the electricity to the outlet is working.
3. Ensure the power is turned to the ON position.
4. Make sure the heater is placed on a flat, solid surface.

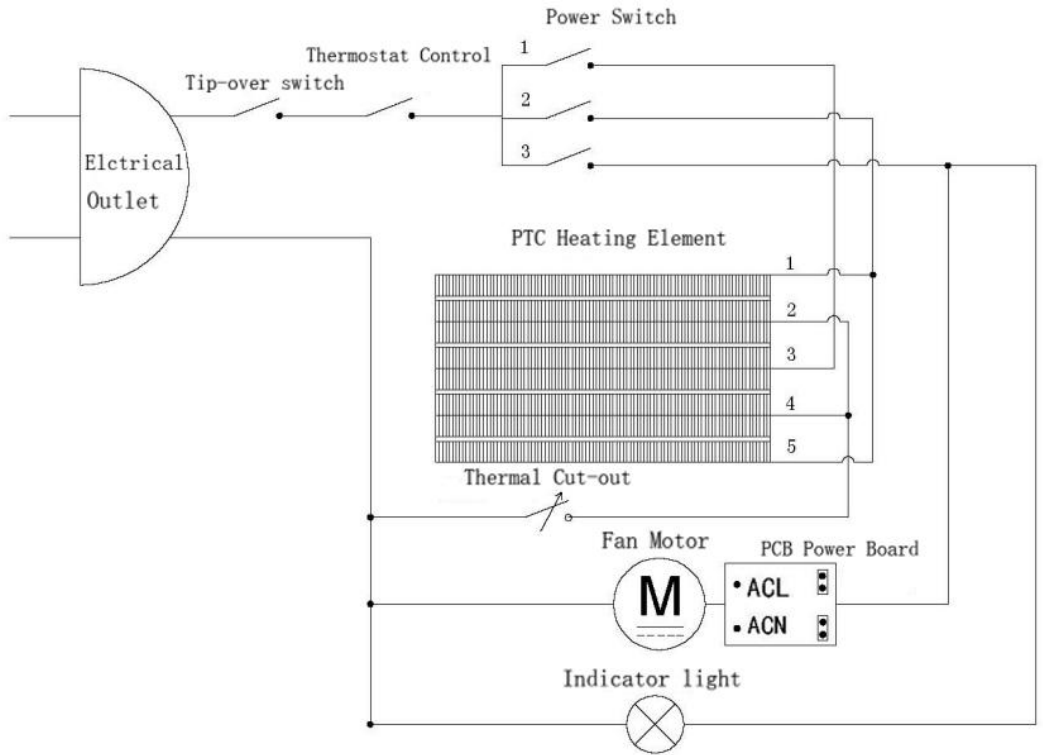
5. Refer to the SAFETY FEATURES for additional information.

ACCESSORIES VIEW



- 1.Grille 2.Front Body 3.PTC Support 4.Mica 5.PTC
6.DC Fan Motor 7.Back Body 8.Switch Knobs 9.Function Switch
10.Thermostat Control Switch 11.Power Cord 12.PCB Board
13.Support for Synchro Motor 14. Press Board 15.Tip-Over Switch
16.Spring 17.Pole 19.Basement

CIRCUIT DIAGRAM



Made In China

VEVOR[®]

TOUGH TOOLS, HALF PRICE

Technical Support and E-Warranty Certificate

www.vevor.com/support