

VEVOR[®]

TOUGH TOOLS, HALF PRICE

Technical Support and E-Warranty Certificate www.vevor.com/support

TRUCK BED EXTENDER

MODEL:TZJ-01-01/TZJ-01-02

We continue to be committed to provide you tools with competitive price.

"Save Half", "Half Price" or any other similar expressions used by us only represents an estimate of savings you might benefit from buying certain tools with us compared to the major top brands and does not necessarily mean to cover all categories of tools offered by us. You are kindly reminded to verify carefully when you are placing an order with us if you are actually saving half in comparison with the top major brands.

VEVOR®

TOUGH TOOLS, HALF PRICE

TRUCK BED EXTENDER

MODEL:TZJ-01-01/TZJ-01-02



NEED HELP? CONTACT US!

Have product questions? Need technical support? Please feel free to contact us:

Technical Support and E-Warranty Certificate

www.vevor.com/support

This is the original instruction, please read all manual instructions carefully before operating. VEVOR reserves a clear interpretation of our user manual. The appearance of the product shall be subject to the product you received. Please forgive us that we won't inform you again if there are any technology or software updates on our product.



Warning-To reduce the risk of injury, users must read the instructions manual carefully.

WARNING:

Read and understand this entire manual before assembling, installing, operating, or servicing this product. Failure to follow these warnings and instructions can cause death, personal injury or damage to valuable property.

1. Adhere to all Department of Transportation(D.O.T.) require ments when using this product.
2. Use common sense when working. Stay alert and concentrate when setting up and using this product. Never work while under the influence of alcohol, drugs or medications.
3. While assembling and using this product keep work area clean and well lighted. Keep spectators and children out of the work area.
4. Dress appropriately. Never wear loose fitting clothing or jewelry when working. Contain long hair, and keep hair, clothing and gloves away from moving parts.
5. Always keep this truck bed extender away from children
6. Check the truck bed extender is in good condition before using it.







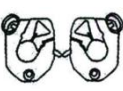







SAVE THESE INSTRUCTION





PRODUCT PAREMETERS

Model	TZJ-01-01	TZJ-01-02
Range	51.6~64 in	55.5~68in
Material	Aluminum, Plastic	
Color	Black	
Fitment	Ridgeline, Tacoma, Gladia tor, Colorado/Canyon, Frontier, ranger	Ford SuperDuty, F150, Dodge Ram 1500/2500/3500, Toyota Tundra, Nissan Titan, Chevrolet Silverado

ASSEMBLY PREPARATION

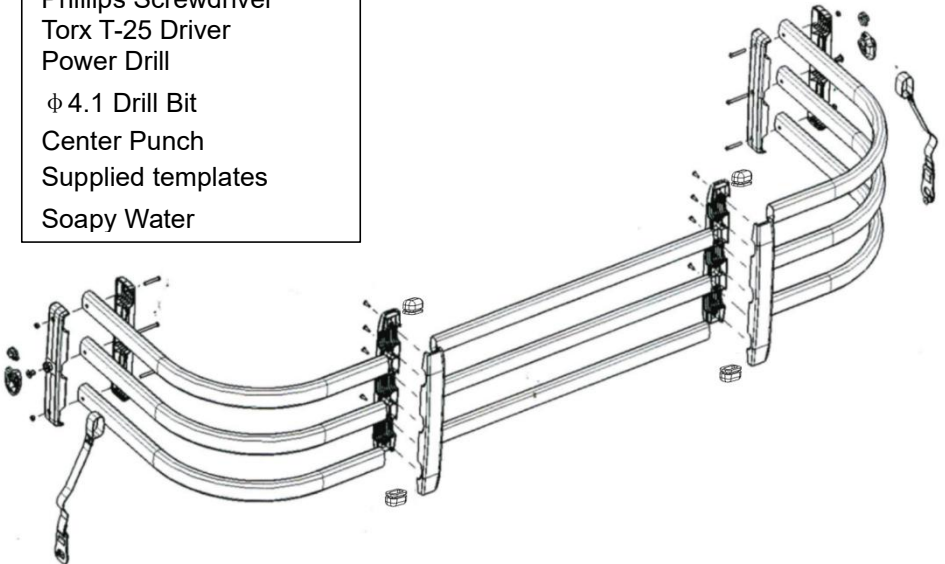
When unpacking this product, check to make sure the parts listed below are included and carefully inspect for any damage that may have occurred during transit. If any part is missing or damaged, do not attempt to assemble or use the product.

NO	PICTURE	PART NUMBER	QTY		NO	PICTURE	PART NUMBER	QTY
A		Bumper Upright Assembly	2		J		Hex key	1
B		Strap Buckle Assembly	2		K		Bumper	2
C		Pivot Upright Assembly	2		L		Hex Nut M6	2
D		Quick Mount Bracket set	2		M		Lock nut M5	8
E		Straight Tube	3		N		Drill Bit φ4.1	1
F		Bent Tube	6		O		Strap Latch Insert φ15	2
G		Phillips Head Screw M5*20	8		P		Strap Latch Insert φ11	2

H		Phillips Head Self-tapping Screw 5*16	20		Q 	Drilling template	2
I		Hexagon socket head cap screw M6*40	2	R		Bracket	2

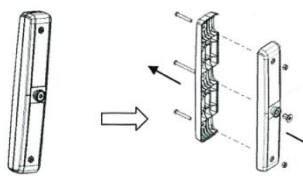
PRODUCT ASSEMBLY EXPLODED


TOOLS REQUIRED
 Phillips Screwdriver
 Torx T-25 Driver
 Power Drill
 φ 4.1 Drill Bit
 Center Punch
 Supplied templates
 Soapy Water



1. Assembly Procedures

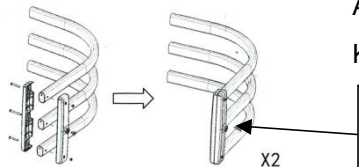
1




Disassemble Part B with supplied Hex Key “”

X2

2

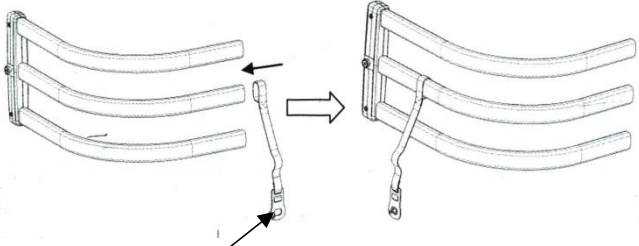


Assemble Part C and F with supplied Hex Key “” tighten all screws.

NOTE: Make sure the pivot at the outside after assembly as picture shown.

X2

3



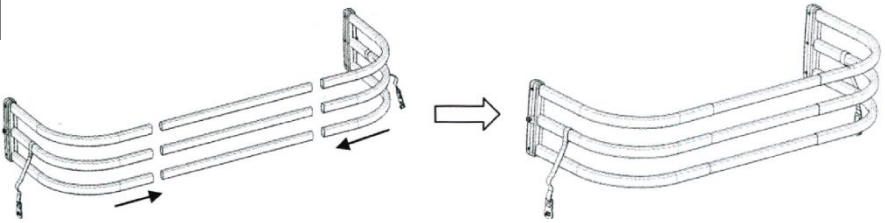
Put on Part 2 Strap Buckle Assembly B on the middle tube.

X2

NOTE: Make sure the Strap Latch Insert is towards the inside after assembly as picture shown.



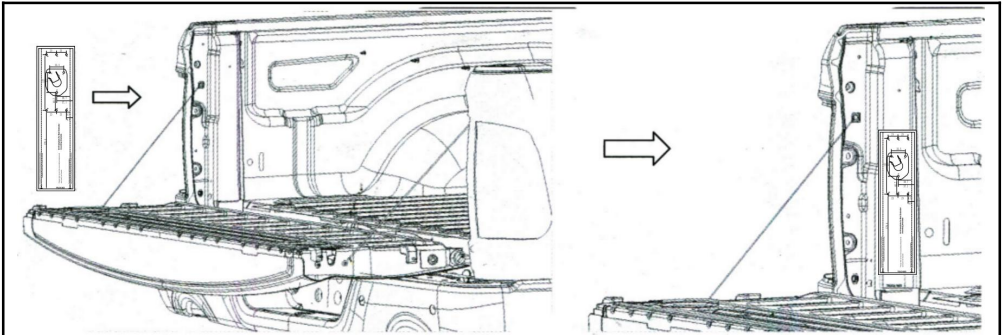
4



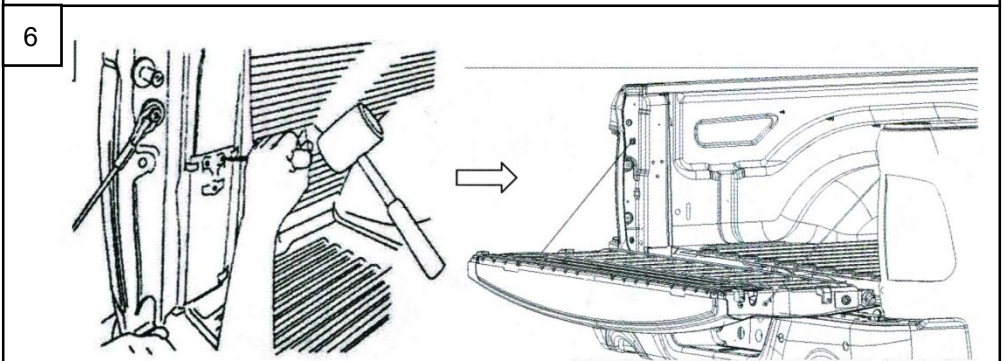
Apply straight tubes E to Part 2 of the assembly from Procedure-3.

2. Installation Procedures

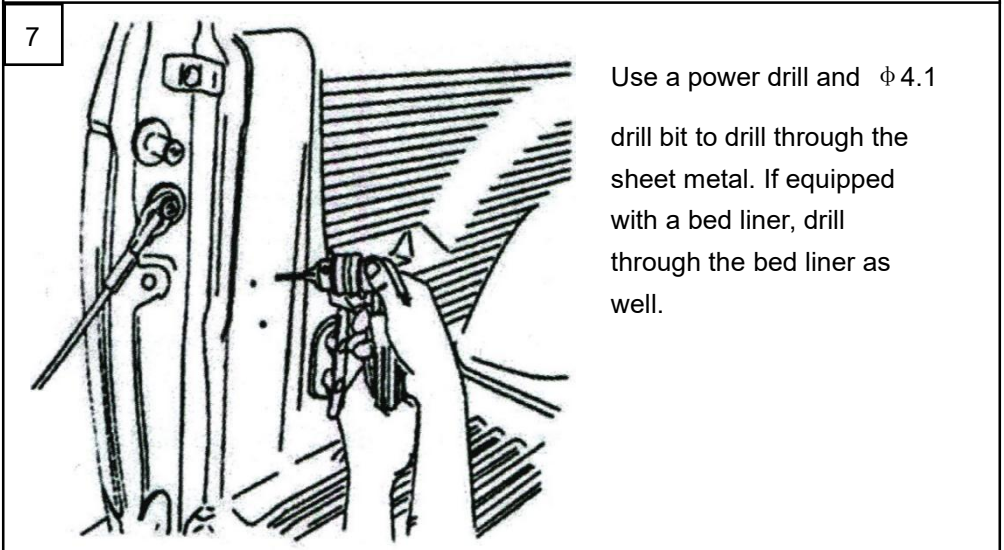
5

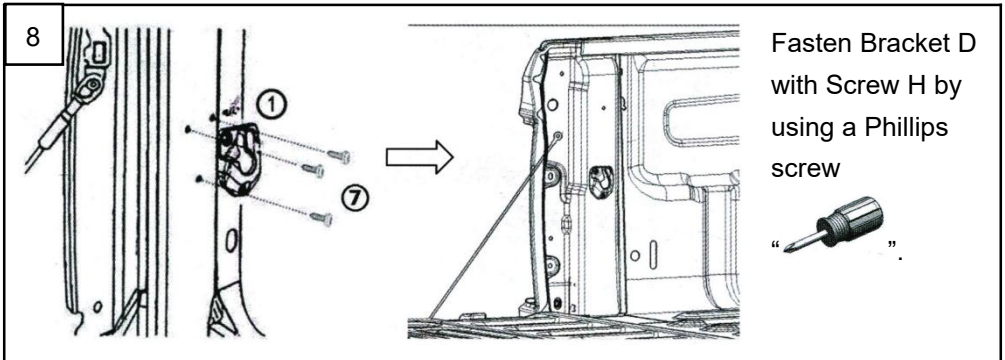


Adjust and place the drilling template Q at the tailgate D-pillar and mark the 3 screw holes with marker on both sides

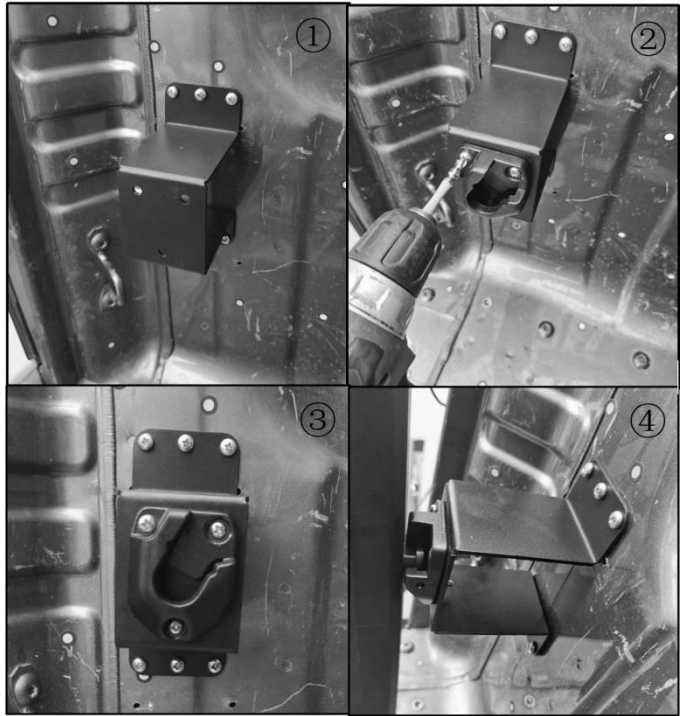


Use the center punch to mark screw holes for preparation of drilling.





Tips: The black U-shaped frame is an optional accessory. If the width of the carriage is not on the same horizontal line as the tailgate, it needs to be installed (as shown in the figure). If the width of the carriage is on the same horizontal line as the tailgate, it does not need to be installed.

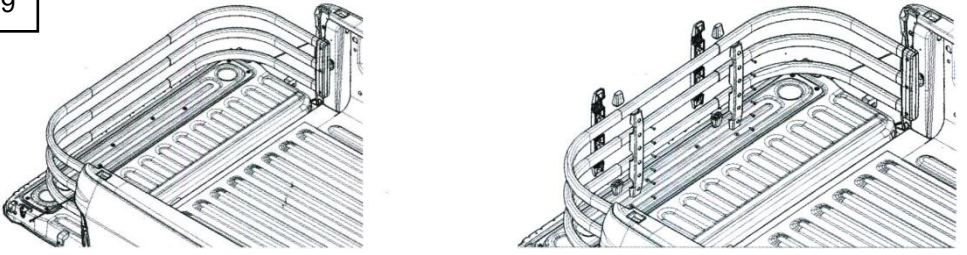


Use a power drill and $\phi 4.1$ drill bit to drill through the sheet metal. If equipped with a bed liner, drill through the bed liner as well.

Fasten Bracket R with Screw H by using a Phillips screw.

Fasten Bracket D with Screw G and nut M by using a Phillips screw.

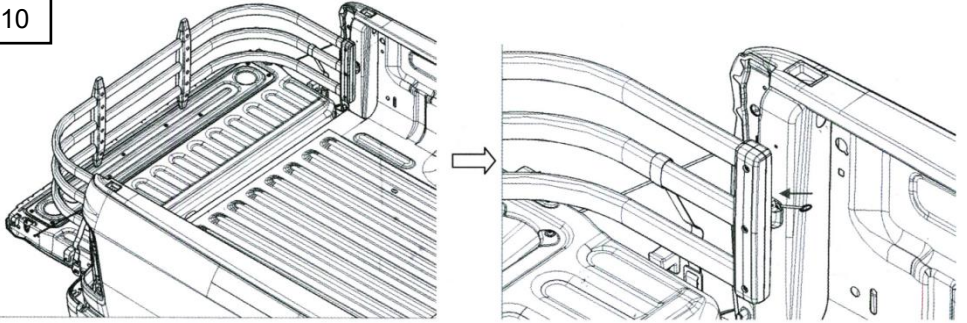
9



Adjust the width of the bed extender to fit preinstalled Quick Mount Bracket, Use a

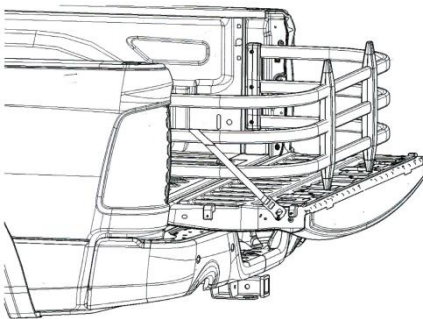
Phillips screw driver “” to fasten Part A “”.

10



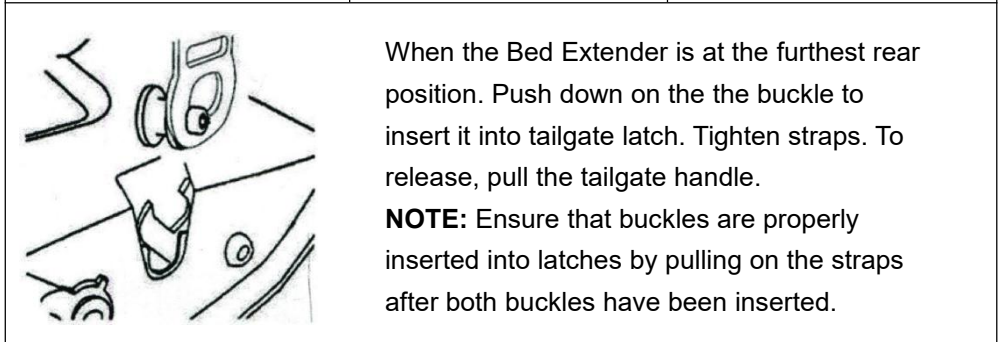
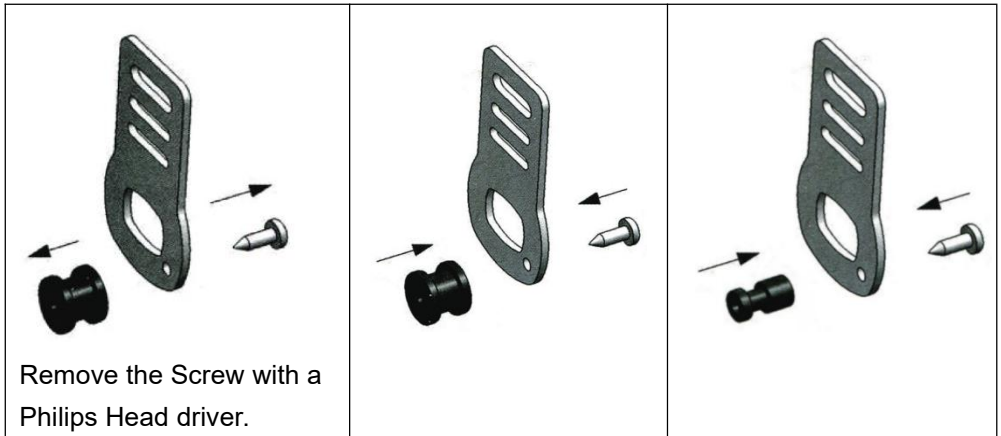
Insert “” into the Quick Mount Bracket, and put “” back on the brackets

11



Adjust Strap Buckles to lock into the tailgate when Bed Extender is deployed. Your assembly is now complete.

Tips: Strap Latch Insert is supplied in 2 diameter sizes, you can choose to properly fit your tailgate latch.



BED EXTENDER OPERATION

- With the tailgate open, place Bed Extender pivot pins into the left and right mounting brackets. Rotate to 45 until it drops into place, then lower onto it the open tailgate.
- Flip Bed Extender out to contain cargo in the truck bed when the tailgate is open. **CAUTION:** 200lb maximum load on the open tailgate. Always distribute the cargo evenly and properly secure inside the bed. Do not secure cargo to the Bed Extender or the tailgate.
- Before driving, secure Bed Extender by locking the provided strap buckles into the truck's tailgate latches. To release, pull the tailgate handle. **NOTE:** Ensure that both buckles are properly locked into the latches by pulling up on each strap.

- Flip Bed Extender forward and close the tailgate to keep smaller cargo safe and organized.

Manufacturer: Shanghaimuxinmuyeyouxiangongsi

Address: Shuangchenglu 803nong11hao1602A-1609shi, baoshanqu, shanghai 200000 CN.

Imported to AUS: SIHAO PTY LTD. 1 ROKEVA STREETEASTWOOD NSW 2122 Australia

Imported to USA: Sanven Technology Ltd. Suite 250, 9166 Anaheim Place, Rancho Cucamonga, CA 91730

UK	REP
-----------	------------

YH CONSULTING LIMITED. C/O YH Consulting Limited Office 147, Centurion House, London Road, Staines-upon-Thames, Surrey, TW18 4AX

EC	REP
-----------	------------

E-CrossStu GmbH
Mainzer Landstr.69,
60329 Frankfurt am Main.

VEVOR[®]

TOUGH TOOLS, HALF PRICE

Technical Support and E-Warranty Certificate

www.vevor.com/support