

VEVOR[®]

TOUGH TOOLS, HALF PRICE

Technical Support and E-Warranty Certificate www.vevor.com/support

ROLLING HOT-DOG GRILL

MODEL: SC-5XD / SC-7XD / SC-11XD

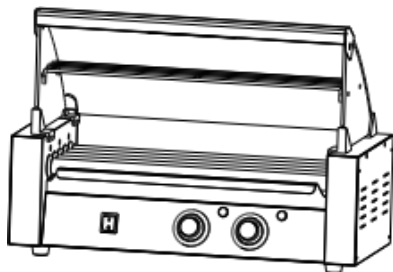
We continue to be committed to provide you tools with competitive price. "Save Half", "Half Price" or any other similar expressions used by us only represents an estimate of savings you might benefit from buying certain tools with us compared to the major top brands and does not necessarily mean to cover all categories of tools offered by us. You are kindly reminded to verify carefully when you are placing an order with us if you are actually Saving Half in comparison with the top major brands.

VEVOR[®]

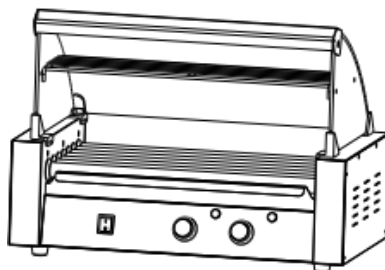
TOUGH TOOLS, HALF PRICE

ROLLING HOT-DOG GRILL

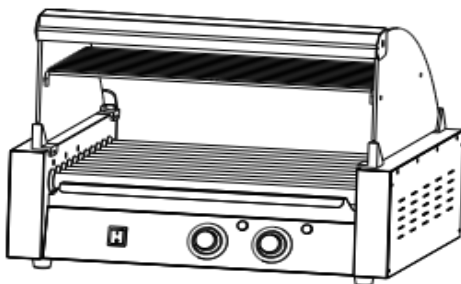
MODEL: SC-5XD



MODEL: SC-7XD



MODEL: SC-11XD









NEED HELP? CONTACT US!

Have product questions? Need technical support? Please feel free to contact us:

Technical Support and E-Warranty Certificate
www.vevor.com/support

This is the original instruction, please read all manual instructions carefully before operating. VEVOR reserves a clear interpretation of our user manual. The appearance of the product shall be subject to the

product you received. Please forgive us that we won't inform you again if there are any technology or software updates on our product.

	<p>Warning-To reduce the risk of injury, user must read instructions manual carefully.</p>
	<p>Indoor use only.</p>
	<p>Pay attention to high temperatures to prevent burns.</p>
	<p>CORRECT DISPOSAL This product is subject to the provision of European Directive 2012/19/EC. The symbol showing a wheeled bin crossed through indicates that the product requires separate refuse collection in the European Union. This applies to the product and all accessories marked with this symbol. Products marked as such may not be discarded with normal domestic waste, but must be taken to a collection point for recycling electrical and electronic devices</p>
	<p>Compliance is a North America security certification.</p>
	<p>Compliance is a EC & UK security certification.</p>



WARM PROMPT:

A white protective film is attached to the surface of the fuselage to protect the fuselage from scratches. Please tear it off before use.

SAFETY WARNINGS AND PRECAUTIONS

Thank you for using this product. In order to make sure that you can operate the machine correctly, read this instruction carefully before operation and keep it properly for future reference. Please read the precautions and safety rules on this page to ensure your safe use. This manual will outline safety warnings and precautions, operating, maintenance and cleaning. The warnings and instructions reviewed in this manual cannot cover all possible conditions and situations that may occur. Caution and common sense are not built into this product, since we believe that the users will comply with these codes. Before starting a training program or engaging in strenuous endurance activity on the device, please consult a doctor.

Please read ALL the instructions before using your machine.

1. Make sure the voltage in your outlet is the same as the voltage indicated on the appliance's rating label.
2. Do not let children and minors and pet get close to or touch the machine.
3. Do not touch the hot surface directly with your hands. Always use the handle or knob for operation.
4. To prevent electrical shock, do not immerse the cord or plug into water or other liquids.
5. Do not immerse the appliance in water or any other liquid.
6. Unplug the machine from the outlet when not in use and before cleaning. Cool the appliance before installing or removing parts and before cleaning.
7. Cool down the HOT parts before operation and cleaning.
8. Do not operate the device with damaged cord or plug, malfunction or with any mechanical damage. Send it to your nearest authorized service centre for examination and repair (ONLY technicians should open up the unit).
9. Using any accessories or attachments that are not provided or recommended by the manufacturer may cause injury.
10. If the machine is not to be used for a long period of time, unplug it, clean and cover it and store it in a dry and safe place.
11. Do not leave the power cord hanging over the edge of table or counter or let it

come into contact with any hot surfaces.

12. Do not place the unit on or near hot air, electric burners or heaters.

13. Always switch off the power to the socket before plugging in or unplugging. Hold the plug instead of pulling on the cord.

14. Do not apply this unit to any other purposes than the indicated usage.

15. **KEEP IT OUT OF CHILDREN'S REACH.** Never leave it unattended while in use.

16. **DO NOT CLEAN IT WITH ANY ABRASIVE MATERIAL.**

17. Always check that this machine is plugged into a grounded outlet with the appropriate electrical supply. Ensure that the wall outlet being used is properly grounded. If not, you must install a grounded outlet. Have the work performed only by a certified electrician who is properly qualified to meet local safety and electrical codes.

18. Ensure that the power outlet, plug and cord being used are in good working condition. Damaged components should be repaired by a certified electrician who is qualified to meet local safety and electrical codes. Even if your power cord is functioning properly, keep it away from water and avoid letting it run over carpets or heating devices.

19. Avoid using it in the presence of flammable liquids, gases, dust or other explosive situations.

20. Do not move the machine before cooling and during heating

21. Do not operate the machine in an appliance garage or under a wall cabinet. Always unplug the unit from the electrical outlet when storing in an appliance garage. Otherwise, it would cause a risk of fire, especially if the machine touches the garage wall or the door touches it as it closes.

22. Type Y attachment: If the supply cord is damaged, it must be replaced by the manufacturer, its service agent or similarly qualified persons in order to avoid a hazard.


23. Children shall not play with the appliance. Cleaning and user maintenance shall not be made by children without supervision.

24. **Inspect before every use.**

25. **DO NOT CLEAN IT WITH ANY ABRASIVE MATERIAL.**

26. Never leave it unattended while in use. Never leave the child unattended.

27. Pet urine and feces can damage the product, please keep away.

 **WARNING: This appliance is not intended for use by young or infirm persons unless supervised by a responsible person to ensure that they can use the appliance safely. Young children should be supervised to ensure that they do not play with the product. Pets should stay away from the product.**

PRODUCT PARAMETERS

MODEL	Region	Voltage	Power	Plug Type	Fuse
SC-5XD	North America	AC110V 60Hz	750W	American PLUG	10A
	Europe	AC220-240V 50Hz	1000W	European PLUG	
SC-7XD	North America	AC110V 60Hz	1050W	American PLUG	15A
	Europe	AC220-240V 50Hz	1400W	European PLUG	
SC-11XD	North America	AC110V 60Hz	1650W	American PLUG	20A
	Europe	AC220-240V 50Hz	2200W	European PLUG	

Attention:

1. The voltage used for this device must be the same as the power supply voltage.
2. Users need to install it near the power switch and fuse.
- 3. If the machine is not powered, remove the plug from the electrical outlet and check whether the fuse is blown.**
4. It is recommended that products use separate lines and sockets to avoid circuit breaker or time delay fuse overload.

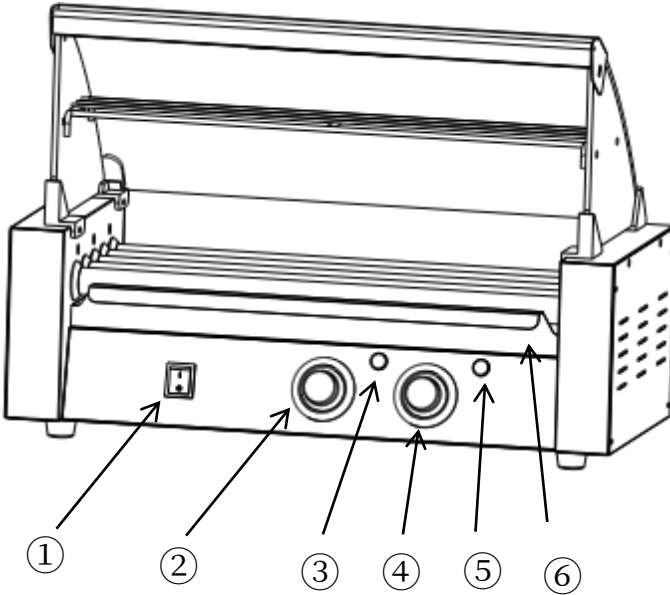


WARM PROMPT:

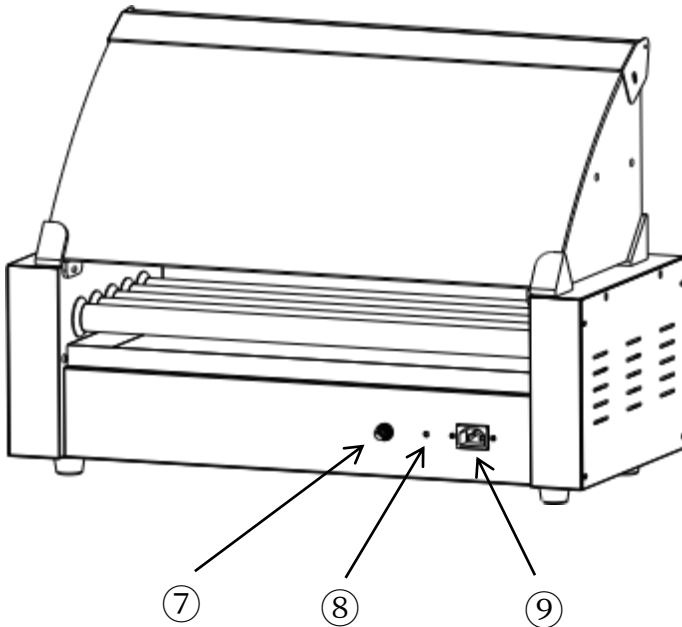
A white protective film is attached to the surface of the fuselage to protect the fuselage from scratches. Please tear it off before use.

PRODUCT COMPONENTS

Note: The location of the core components of these three machines is the same!

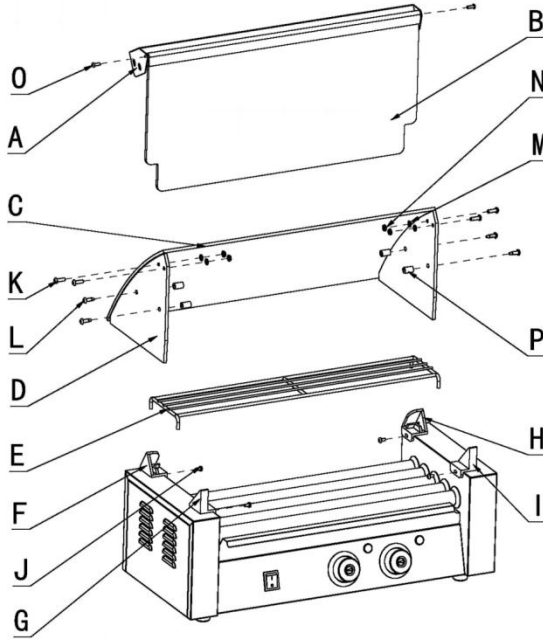


1. Power Switch
2. Temperature Knob (Front)
3. Heat Light (Front)
4. Temperature Knob (Back)
5. Heat Light (Back)
6. Pan
7. Fuse
8. Protective Earthing
9. Power Socket



EXPLODED VIEW

Note: The location of the core components of these three machines is the same!



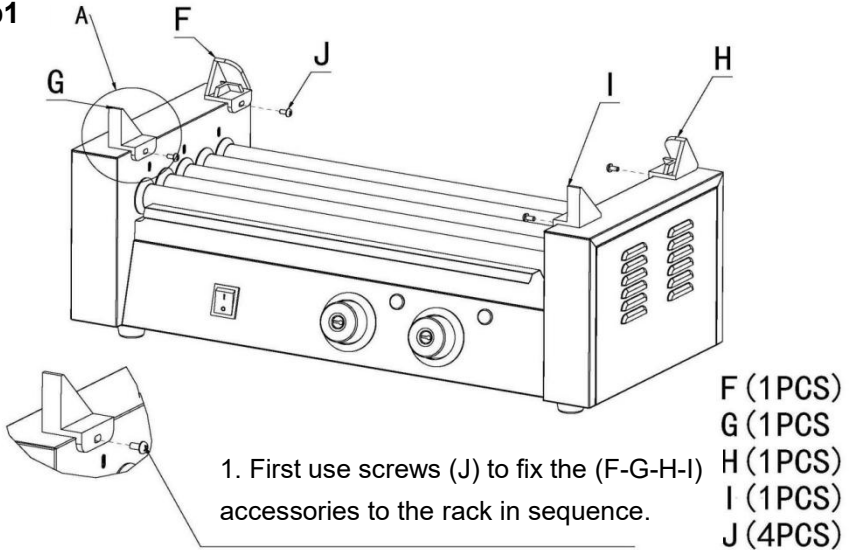
NO.	Name	QTY	NO.	Name	QTY
A	Glass front fixed beam	1	I	Glass stand front (right)	1
B	Glass front door	1	J	Screws M4x8	4
C	Curved glass	1	K	Screws M5x14	4
D	Side glass	2	L	Screws M6x14	4
E	Shelves	1	M	Nut M5	4
F	Behind the glass stand (left)	1	N	Mica gasket	4
G	Glass stand front (left)	1	O	Screws M4x12	2
H	Behind the glass stand (right)	1	P	Nylon sleeve	4

Note: the quantity of parts shown in the manual is the actual usage and the unused parts are spare parts.

ASSEMBLY DRAWING

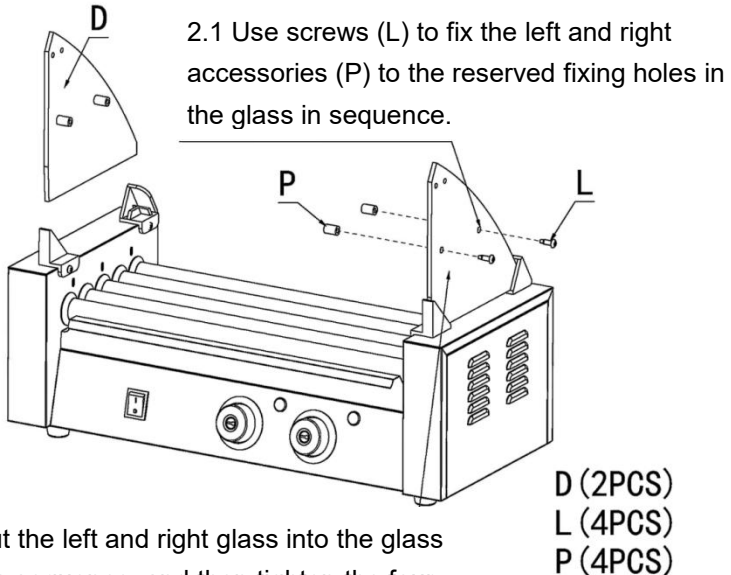
Note: The location of the core components of these three machines is the same!

Step1

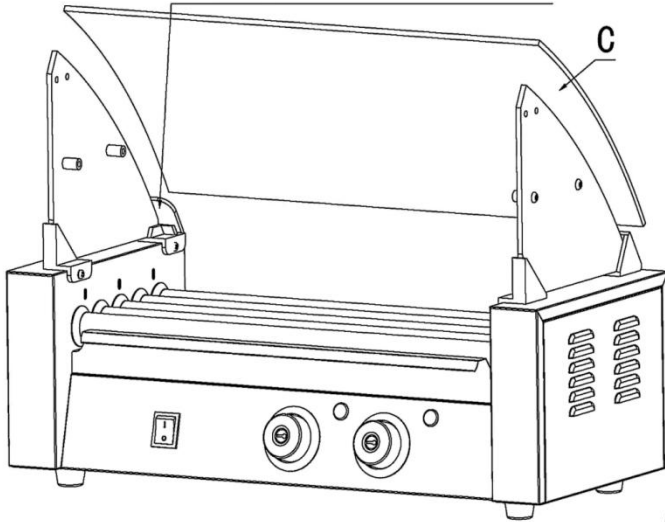


Note: Do not tighten the screws completely yet.

Step2

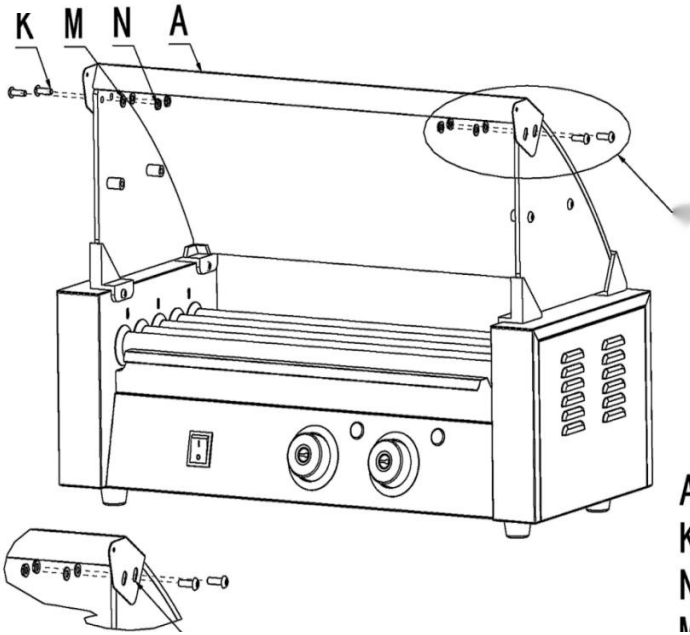


Step3 3.1 Place the accessory (C) into the slot of the glass fixture.



C (1PCS)

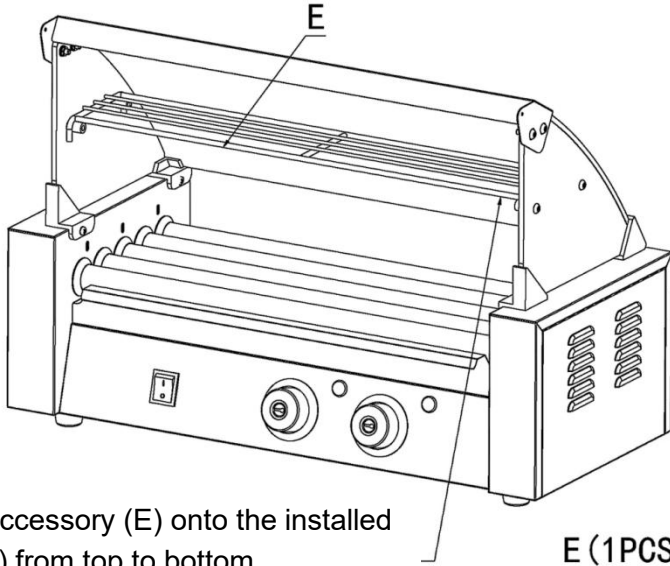
Step4



A (1PCS)
K (4PCS)
N (4PCS)
M (4PCS)

4 Use fasteners (K; N; M) to fix accessories (A) to the reserved openings in the glass in order and tighten them.

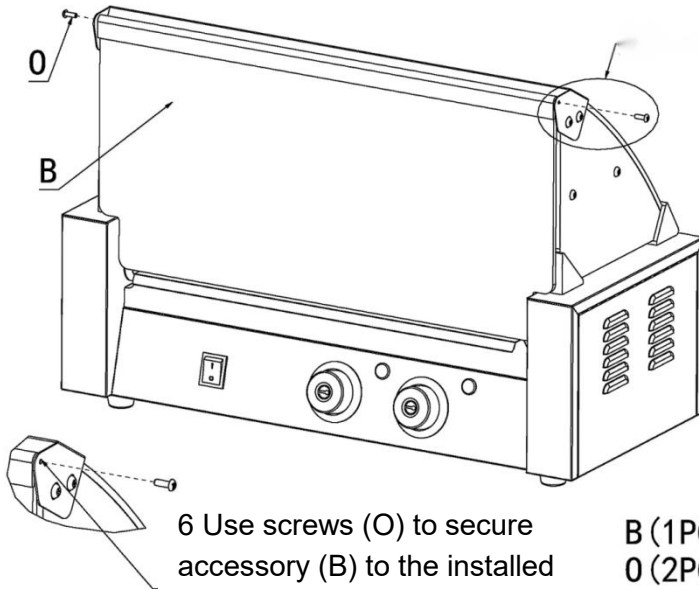
Step5



5 Place the accessory (E) onto the installed accessory (P) from top to bottom.

E (1PCS)

Step6



6 Use screws (O) to secure accessory (B) to the installed glass front fixed beam; complete installation.

B (1PCS)
O (2PCS)

OPERATING INSTRUCTIONS

Before using the appliance for the first time, peel off any promotional materials and packaging materials, and check that the product are clean and free of dust. If necessary, wipe them over with a damp cloth. Spread over with an absorbent kitchen towel and wipe off any excess oil. **When your appliance is heated for the first time, it may emit slight smoke or odor, which is normal for many heating appliances, and will not affect the safety of your appliance.**

1. Place the machine on a clean, dry, level surface near a plug base outlet.
2. Plug the cord into the machine power socket.
3. Plug the cord into the wall outlet.
4. How to test your machine: Turn on the power switch, the indicator light is on; turn on the motor switch, the rollers rotate. Turn the thermostat knob clockwise to align the knob on the temperature scale with the red triangle on the panel, the heating indicator light is on, and the rollers start to heat. When the temperature reaches the set value, turn the knob clockwise to about 302°F (150°C).

At this time, the heating indicator light will go off, which means the it has reached the set temperature.

5. Place the pre-prepared sausages parallelly in the middle of the two rollers, then the sausages will rotate in opposite directions. Please do not place the sausages too close together, leaving about 0.4 inch (10 mm) at the end of each roller.

Note:

1. Every time you turn on the machine for the first time, you must first turn on the heating switch to preheat, and then turn on the rotary switch to prevent the motor oil from solidification.
2. Opening of the bottom pan or both sides is not permitted, in case that you are eligible to do so.
3. Usually the baking temperature should be appropriate 248°F-320°F(120-160°C).

4. When heating, your hands are not allowed to touch the steel roller to prevent scalding.

5. When connecting or unplugging the plug, it should be disconnected from the total external power supply.

6. Keep your hands dry when plugging the cord.

TIPS

1. To save electricity and reduce the heating time, you can naturally defrost the sausages or heat it by microwave oven before.

2. Apply food oil to the left and right sides of the roller before use to increase the smooth rolling of the roller.

Note: The pan under the rollers is used to catch drops of oil, it can also be used to preheat the sausage, but it's not appropriate to put the grilled sausages into it.

CLEANING AND MAINTENANCE

1. Once you have finished baking, remove the plug from the electrical outlet.

Leave the machine to cool down completely before cleaning.

2. The rollers should be cleaned every 4-5 hours of grilling.

3. For the exterior, wipe with a soft, dry cloth. Never use an abrasive cleanser or harsh pad. 3. Any other servicing should be provided by an Authorized Service Representative.

Warning: Do not use liquid to rinse the product directly to avoid water damage to internal components.

STORAGE

1. Always unplug the machine before storage.

2. Always make sure the machine is cleaning cool and dry before string.

3. Apply vegetable oil to the surface of the product to prevent rust.

Manufacturer: Shanghaimuxinmuyeyouxiangongsi

Address: Shuangchenglu 803nong11hao1602A-1609shi, baoshanqu, shanghai 200000 CN.

Imported to AUS: SIHAO PTY LTD. 1 ROKEVA STREETEASTWOOD NSW 2122 Australia

Imported to USA: Sanven Technology Ltd. Suite 250, 9166 Anaheim Place, Rancho Cucamonga, CA 91730



YH CONSULTING LIMITED.

C/O YH Consulting Limited Office 147,
Centurion House, London Road,
Staines-upon-Thames, Surrey, TW18 4AX



E-CrossStu GmbH
Mainzer Landstr.69,
60329 Frankfurt am Main.

VEVOR[®]

TOUGH TOOLS, HALF PRICE

Technical Support and E-Warranty Certificate

www.vevor.com/support