

VEVOR[®]

TOUGH TOOLS, HALF PRICE

Technical Support and E-Warranty Certificate




www.vevor.com/support

Contact Voltage Regulator Instruction Manual

**MODEL: TDGC2-500VA/TDGC2-1000VA
TDGC2-2000VA/TDGC2-3000VA**

We continue to be committed to provide you tools with competitive price.

"Save Half", "Half Price" or any other similar expressions used by us only represents an estimate of savings you might benefit from buying certain tools with us compared to the major top brands and does not necessarily mean to cover all categories of tools offered by us. You are kindly reminded to verify carefully when you are placing an order with us if you are actually saving half in comparison with the top major brands.

	Warning-To reduce the risk of injury, user must read instructions manual carefully.
	This device complies with Part 15 of the FCC Rules. Operation is subject to the following two conditions:(1)This device may not cause harmful interference, and (2)this device must accept any interference received, including interference that may cause undesired operation.
	This product is subject to the provision of European Directive 2012/19/EC. The symbol showing a wheeled bin crossed through indicates that the product requires separate refuse collection in the European Union. This applies to the product and all accessories marked with this symbol. Products marked as such may not be discarded with normal domestic waste, but must be taken to a collection point for recycling electrical and electronic devices

NEED HELP? CONTACT US!

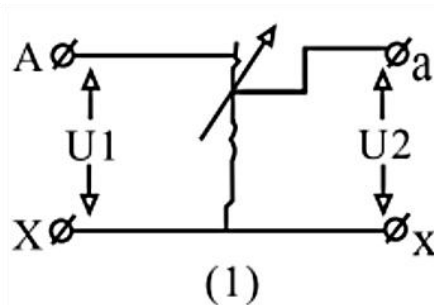
Have product questions? Need technical support? Please feel free to contact us:

Technical Support and E-Warranty Certificate
www.vevor.com/support

This is the original instruction, please read all manual instructions carefully before operating. VEVOR reserves a clear interpretation of our user manual. The appearance of the product shall be subject to the product you received. Please forgive us that we won't inform you again if there are any technology or software updates on our product.

PRINCIPLE AND STRUCTURE

- Basic principle: Regulator is a self-coupling transformer whose circle ratio can be adjusted continually. Main axes act with brush frame when regulator brush recur to hand-wheel. The circle ratio can be changed continually when slide with grind surface of coil so that output-voltage adjust from zero to max smoothly.
- Main structure: The product is single-phase 0.5KVA~3KVA Adjustable voltage structure. The coil on the upper surface has a certain wide smooth surface fixed on the FRP base, and the contact carbon brush is closely matched with the grinding surface under the action of spring stress. The hand wheel drive carbon brush regulates the voltage on the enameled wire grinding surface, and the standard product regulator is vertical with a safety ventilation cover on the outside.
- The voltage regulator coil set is connected as shown in Figure 1.



1. U_1 is the input voltage (V)
 2. U_2 is the output voltage (V)
 3. ↗ is Contact the carbon brushes
- The variable carbon brush is connected to the a-end of U_2 , and the output voltage of U_2 becomes lower when the carbon brush moves to the X-end, and the output voltage of U_2 becomes higher when the carbon brush moves to the a-end.

Warning: U_1 is the power input and U_2 is the power output, and the two sets of terminals cannot be reversed, otherwise the equipment will be damaged.

PRODUCT FUNCTION AND USE

Contact regulators do not lack fidelity in waves. Portable size, lightweight, high efficiency, convenience to use, reliability and durability in movement, it can be widely used in industries (such as the chemical industry machine, metallurgy Instrument & appearance, machine manufacture, light-industrial), scientific experiments, public facilities, and household appliances to realize the aims of voltage regulation, temperature, light regulation, power control, etc.

SPECIFICATIONS

●North American market.

Model	output capacity (KVA)	Input voltage (V)	Output voltage (V)	Max.output current (A)
TDGC2-500VA	0.5	120	0-130	3.8
TDGC2-1000VA	1	120	0-130	7.6
TDGC2-2000VA	2	120	0-130	15
TDGC2-3000VA	3	120	0-130	23

Warning: The maximum current at the output must not exceed the maximum current indicated in the appeal table, otherwise the device will be damaged.

●European and Australian markets.

Model	output capacity (KVA)	Input voltage (V)	Output voltage (V)	Max.output current (A)
TDGC2-500VA	0.5	230	0-300	1.6
TDGC2-1000VA	1	230	0-300	3.3
TDGC2-2000VA	2	230	0-300	6.6
TDGC2-3000VA	3	230	0-300	10

Warning: The maximum current at the output must not exceed the maximum current indicated in the appeal table, otherwise the device will be damaged.

SERVICE CONDITIONS

- The average ambient temperature is +40 degrees Celsius to -15 degrees Celsius.
- The pressure regulator should not be installed more than 1000m above sea level, 90% relative humidity of the air.
- The power supply voltage wave type is a sine wave.
- It should be used in an environment free of explosive and corrosive substances such as gas, smoke, chemical dirt, and dust discharge.
- The site of use should be free of severe vibration and water immersion.
- Two or more devices are not allowed to be used in parallel.
- When using under special conditions that do not meet the above conditions, please contact our customer service.

Note:

- This product has a built-in temperature protection switch, when the internal temperature of the machine exceeds about 100 degrees Celsius, the machine will automatically turn off the voltage output, and the voltage output will be automatically restored when the internal temperature of the machine is lower than about 85 degrees Celsius.
- When the machine automatically shuts off the output during use, please check whether the current used has exceeded the rated current of the machine, otherwise the machine will always be in the cycle of automatic shutdown and automatic start.
- Most of the machines are equipped with overload protectors, when used improperly, the overload protector will automatically jump out and turn off the voltage output, at this time, please check whether the load is short-circuited, seriously over-rated current, and after confirming that it is correct, you can press the reset button of the overload protector by hand, and the equipment will restart working.
- In use, the device suddenly stops working, and the reset overload protector has waited for the temperature of the device to drop, and the device still cannot work normally, at this time, please take out the current

fuse of the device and replace the current fuse in the device with the fuse attached in the package.

CARE AND MAINTENANCE

- During normal operation, the regulator should be checked regularly with a charcoal brush and make sure that the brush and contact parts won't be more than the wide of two wires.
- Connect the ground wire to the case of the device. When you're done using it, turn the hand wheel pointer to the "zero" position and cut off the power.

ACCESSORIES LIST

1. Operating instructions * 1
2. Current fuses * 4

Warning:

This equipment is a high-voltage equipment, do not attempt to disassemble this equipment at any time to avoid danger. After the device fails, if the device cannot be restarted externally, please contact your dealer to deal with it.

Manufacturer: Shanghai muxinmuyeyouxiangongsi

Address: Shuangchenglu 803nong11hao1602A-1609shi, baoshanqu, shanghai 200000 CN.

Imported to AUS: SIHAO PTY LTD, 1 ROKEVA STREET EASTWOOD NSW 2122 Australia

Imported to USA: Sanven Technology Ltd., Suite 250, 9166 Anaheim Place, Rancho Cucamonga, CA 91730

EC	REP
-----------	------------

E-CrossStu GmbH
Mainzer Landstr.69, 60329 Frankfurt am Main.

UK	REP
-----------	------------

YH CONSULTING LIMITED.
C/O YH Consulting Limited Office 147, Centurion House,
London Road, Staines-upon-Thames, Surrey, TW18 4AX

VEVOR[®]

TOUGH TOOLS, HALF PRICE

Technical Support and E-Warranty Certificate

www.vevor.com/support