

# **VEVOR<sup>®</sup>**

## **TOUGH TOOLS, HALF PRICE**

Technical Support and E-Warranty Certificate [www.vevor.com/support](http://www.vevor.com/support)

## **1100LBS MOTORCYCLE LIFT**

### **USER'S MANUAL**

**MODEL: 110202**

We continue to be committed to provide you tools with competitive price.

"Save Half", "Half Price" or any other similar expressions used by us only represents an estimate of savings you might benefit from buying certain tools with us compared to the major top brands and does not necessarily mean to cover all categories of tools offered by us. You are kindly reminded to verify carefully when you are placing an order with us if you are actually saving half in comparison with the top major brands.



# VEVOR<sup>®</sup>

**1100LBS  
MOTORCYCLE LIFT**

**110202**



<Picture Only For Reference >

PLEASE READ THIS MANUAL CAREFULLY BEFORE USE

## **NEED HELP? CONTACT US!**

Have product questions? Need technical support? Please feel free to contact us:

**Technical Support and E-Warranty Certificate**  
**[www.vevor.com/support](http://www.vevor.com/support)**

This is the original instruction, please read all manual instructions carefully before operating. VEVOR reserves a clear interpretation of our user manual. The appearance of the product shall be subject to the product you received. Please forgive us that we won't inform you again if there are any technology or software updates on our product.

## 1. Operation

1. Rotate the screw by ratchet wrench to adjust the height of the platform.
2. Adjust the platform to the appropriate height and place the lift to the bottom of the motorcycle. Make sure that the center of the load align with the pivot, and keep the load stable and safe.
3. When all this is done, lift the motorcycle to the proper height and insert the safety pin.
4. Tighten the motorcycle with other tools to keep it stable.
5. After repairing, pull out the safety pin, rotate the ratchet wrench slowly and gently to lower the platform until it departs from pivot, and then take the lift away.

## 2. PECIFICATIONS

Model	Rated capacity ( LBS)	Minimum height (mm)	Maximum height (mm)
110202	1100	90	400

## 3. CAUTION

1. Read and understand the user manual before assembling, installing, operating, or servicing this product. Failure to follow these warnings and instructions can cause death, personal injury or damage to valuable property. And Keep the user manual .
2. Do not overload the Engine Stand. Never exceed the maximum weight capacity of 1100 Lbs.
3. Keep the load stable and prevent the load from losing balance.
4. Before using, lubricate the screw and the nuts with grease to make the lift flexible and antifricition.
5. Use this lift for second-lift purpose only. Do not use it for any other purpose it is not designed to perform.
6. Keep children and unauthorized persons away from the work area.
7. Wear ANSI approved safety goggles when operating the lift.

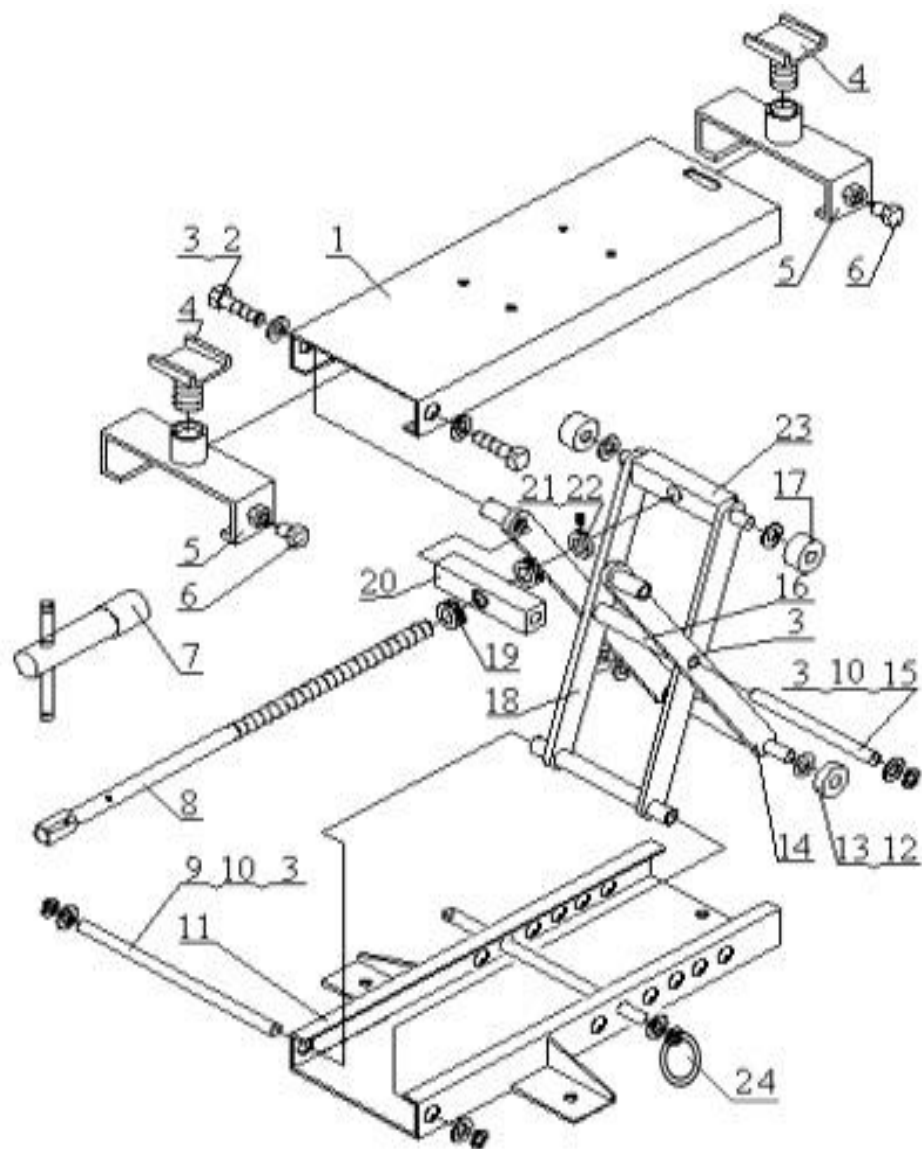
8. Only use this lift on a big , stable ,level, dry and not slippery motorcycle lift platform. Keep the surface clean,tidy and free from unrelated materials and ensure that there is adequate lighting.
9. Always keep your hands and feet away from working area.
10. Do not allow untrained persons to operate the lift .
11. Do not make any modifications to this lift.
12. Do not use impact gun!

#### 4. MAINTENANCE

1. When not in use, the lift must be stored in the lowest position in a dry location.
2. Keep the lift clean and wipe off any oil or grease. Lubricate all moving parts.
3. Before each use check all parts. If any part of the lift is damaged or suspect , remove the lift from service and take necessary action to repair.

#### 5. PARTS LIST

Part No	Description	Qty	Part No	Description	Qty
1	Platform	1	13	Washer M20	4
2	Bolt M12×50	2	14	Outside lifting arm	1
3	Washer M12	10	15	Connect pin	1
4	Saddle	2	16	Middle bush	1
5	Adjustable plate	2	17	Inside frame roller	2
6	Bolt M10×25	2	18	Inside lifting arm	1
7	Handle	1	19	Bearing	2
8	Lifting screw	1	20	Outside fixing spindle	1
9	Inside fixing spindle	1	21	Fixing nut	1
10	Spring blocking	4	22	Lock nut M6	1
11	Base plate	1	23	Inside removable spindle	1
12	Outside frame roller	2	24	Safety Pin	1



**Address:** Baoshanqu Shuangchenglu 803long 11hao 1602A-1609shi  
Shanghai

**Imported to AUS:** SIHAO PTY LTD, 1 ROKEVA STREETEASTWOOD  
NSW 2122 Australia

**Imported to USA:** Sanven Technology Ltd., Suite 250, 9166 Anaheim  
Place, Rancho Cucamonga, CA 91730



Pooledas Group Ltd  
Unit 5 Albert Edward House, The  
Pavilions Preston, United Kingdom



SHUNSHUN GmbH  
Römeräcker 9 Z2021, 76351  
Linkenheim-Hochstetten, Germany

**Made In China**

**VEVOR<sup>®</sup>**

**TOUGH TOOLS, HALF PRICE**

**Technical Support and E-Warranty Certificate**

**[www.vevor.com/support](http://www.vevor.com/support)**