

# **VEVOR<sup>®</sup>**

## **TOUGH TOOLS, HALF PRICE**

Technical Support and E-Warranty Certificate [www.vevor.com/support](http://www.vevor.com/support)

## **HIGH CHAIR FOR GROWING BABY USER MANUAL**

We continue to be committed to provide you tools with competitive price. "Save Half", "Half Price" or any other similar expressions used by us only represents an estimate of savings you might benefit from buying certain tools with us compared to the major top brands and does not necessarily mean to cover all categories of tools offered by us. You are kindly reminded to verify carefully when you are placing an order with us if you are actually saving half in comparison with the top major brands.



# VEVOR®

TOUGH TOOLS, HALF PRICE

HIGH CHAIR FOR GROWING BABY

Model: LPK928



## NEED HELP? CONTACT US!

Have product questions? Need technical support? Please feel free to contact us:

**Technical Support and E-Warranty Certificate**  
**[www.vevor.com/support](http://www.vevor.com/support)**

This is the original instruction, please read all manual instructions carefully before operating. VEVOR reserves a clear interpretation of our user manual. The appearance of the product shall be subject to the product you received. Please forgive us that we won't inform you again if there are any technology or software updates on our product.

# PRODUCT PARAMETERS

Model	Product Size(WxDxH)	Loading Capacity	material	Color
LPK928	W18.2" xD19"xH31.3" (463x485x795 mm)	250 lbs (Max) (about 113KG)	Beechwood	primary color

## ASSEMBLY PRECAUTIONS

1. Assemble needs to follow these instructions. Incorrect assembly can be a hazard.
2. Wear safety goggles and heavy-duty work gloves during assembly.
3. Do not assemble when tired or when under the influence of alcohol, drugs or medication.
4. Weight and other product properties are only applicable to correctly and completely assembled products.
5. Keep the assembly area clean and well-lit.
6. Keep bystanders out of the area during assembly.

## USE PRECAUTIONS



**WARNING: TO PREVENT SERIOUS INJURY AND DEATH FROM TIPPING:**

1. This product is not a toy. Please keep the product away from children while assembling.
2. Use as intended only. Do not let children play or jump on the product. Do not stand on the item or use as a step ladder.
3. Inspect before every use. Do not use it if parts are loose or damaged.
4. Tighten the lower screws every three months to prevent loosening of the legs.
5. Do not exceed the listed weight capacity.



**Prevent serious injury or death from falls or sliding out: Always keep child in view while in high chair. -Always secure child in the restraint.**



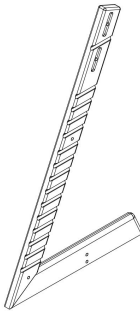
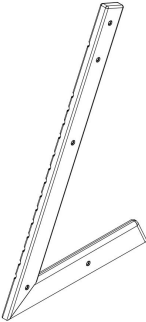



**It is recommended that the high chair be used only by children capable of sitting upright unassisted.**



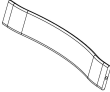
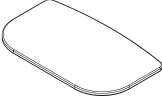
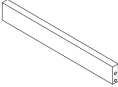

This product is suitable for children age: 6 months and older.

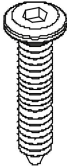
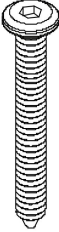
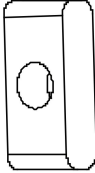
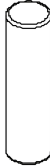
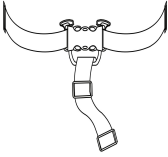
## SAVE THESE INSTRUCTIONS

# PARTS LIST

No.	A	B	C	D	E
Name	Left shelf	Right shelf	Sitting board	tray	Connect iron pipes
Parts					
Quantity	1 PCS	1 PCS	1PCS	1 PCS	2 PCS

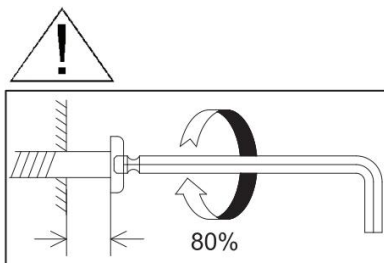
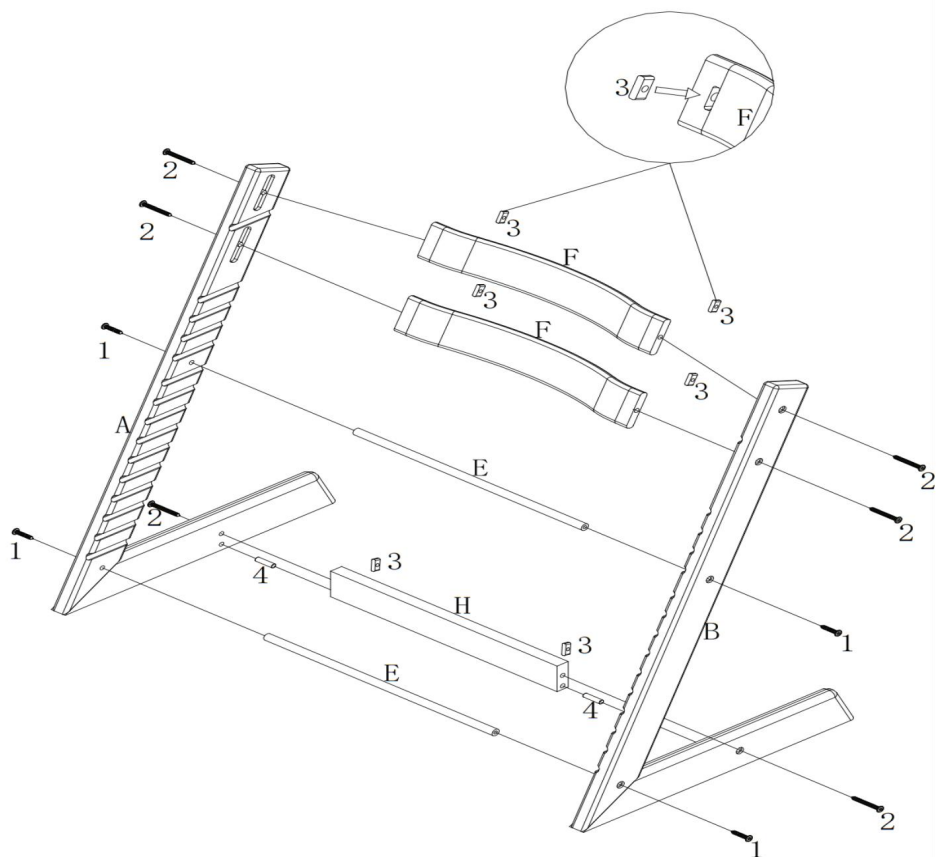
No.	F	G	H	
Name	Back panel	Foot pedal	Connecting rods	Hex wrench

Parts				
Quantity	2 PCS	1 PCS	1 PCS	1 PCS

No.	1	2	3	4	5
Name	Short screws	Long screws	Block nuts	Round log pins	safety belt
Parts					
Quantity	4 PCS	6 PCS	6 PCS	2PCS	1 PCS

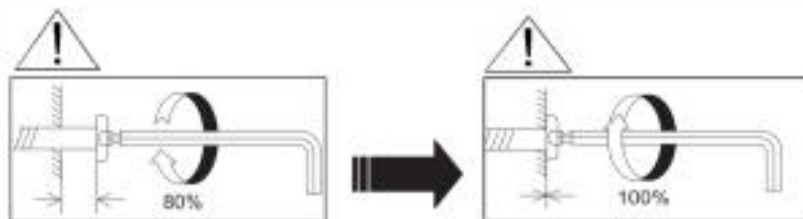
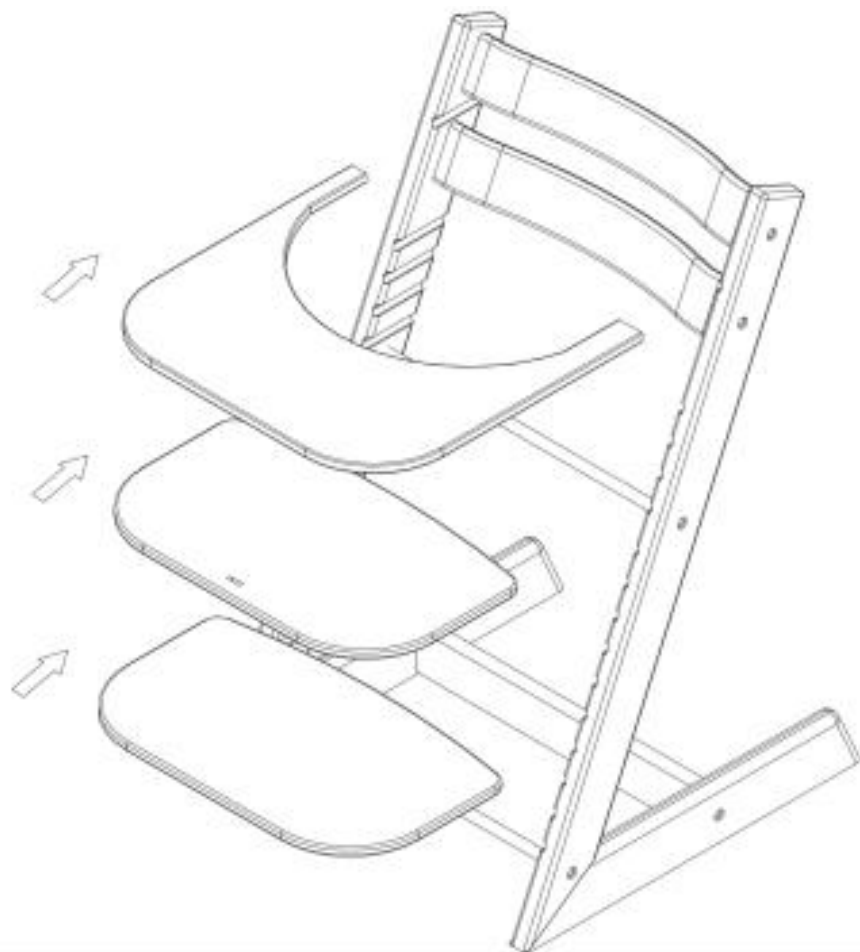
# ASSEMBLY STEPS

## STEP 1



Install the corresponding parts according to the connecting lines in the drawing. When installing, pay attention to the screws on one side not to tighten, reserve a gap to facilitate the next step of installation

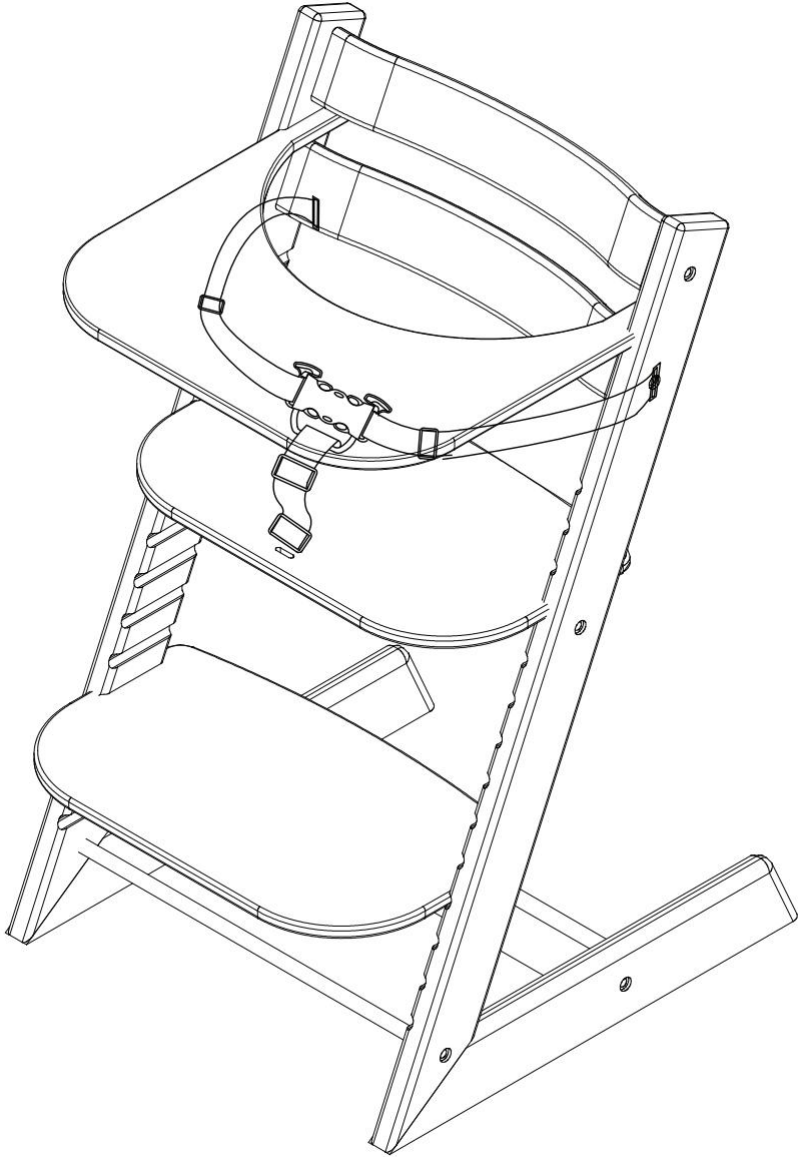
## STEP2



As shown, insert the tray "C", Sitting board "D", and Foot pedal "G" according to the desired height, and tighten the screws on the other side



# COMPLETION



Install the seat belt, done.

(Note: For the installation of seat belts, please refer to the page for introduction)

# Cleaning and Maintenance

- Use a soft, clean cloth that will not scratch the surface when dusting.
- Do not store wood products outdoors or in a humid environment when not in use
- Periodically tighten screws and bolts,as needed.

**Sanven Technology Ltd.**

**Address:** Suite 250, 9166 Anaheim Place, Rancho Cucamonga, CA 91730

**Made in China**



**VEVOR<sup>®</sup>**

**TOUGH TOOLS, HALF PRICE**

**Support and E-Warranty Certificate**

**[www.vevor.com/support](http://www.vevor.com/support)**