

VEVOR[®]

TOUGH TOOLS, HALF PRICE

Technical Support and E-Warranty Certificate

www.vevor.com/support

OIL EXTRACTOR USER MANUAL

**Model: YS-088, YS-088A, YS-087,
YS-087A, YS-087B**

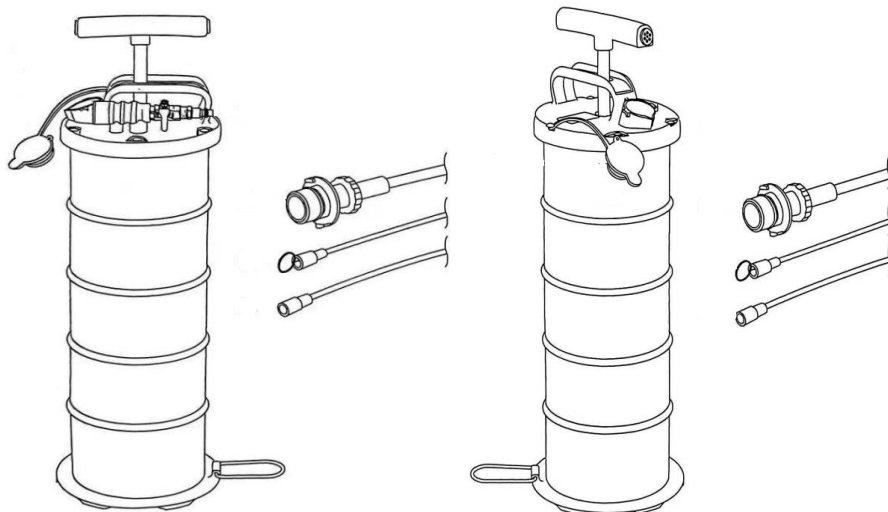
We continue to be committed to provide you tools with competitive price.

"Save Half", "Half Price" or any other similar expressions used by us only represents an estimate of savings you might benefit from buying certain tools with us compared to the major top brands and does not necessarily mean to cover all categories of tools offered by us. You are kindly reminded to verify carefully when you are placing an order with us if you are actually saving half in comparison with the top major brands.

VEVOR[®]

TOUGH TOOLS, HALF PRICE

OIL EXTRACTOR



NEED HELP? CONTACT US!

Have product questions? Need technical support? Please feel free to contact us:

Technical Support and E-Warranty Certificate
www.vevor.com/support

This is the original instruction, please read all manual instructions carefully before operating. VEVOR reserves a clear interpretation of our user manual. The appearance of the product shall be subject to the product you received. Please forgive us that we won't inform you again if there are any technology or software updates on our product.

▲WARNING

1. Read carefully and understand all **ASSEMBLY AND OPERATION INSTRUCTIONS** before operating.
2. Failure to follow the safety rules and other basic safety precautions may result in serious personal injury.

GENERAL SAFETY RULES

1. Gasoline, and fluids with high volatility, high corrosion, high temperature are forbidden to be applied on the extractor.
2. Do not use the unit to extract or store' dangerous chemicals, poisons, acids, alkaline, or solvents. If such liquids are accidentally used in the unit, it must be drained immediately.
3. Do not disassemble the structure by yourself unless necessary to avoid leakage or damage to the vacuum pump.
4. The maximum temperature of the liquid is recommended not to exceed 60 degrees to avoid burns.
5. The safety precautions and instructions given in this manual are unable to cover in detail all the conditions and situations that may arise.
6. The operator and/or user must use common sense and caution when operating the product especially for any matters that are not referred to the above.
7. The use of any accessories other than those recommended by the manufacturer or stated in the instructions manual may result in injury or may cause damages.

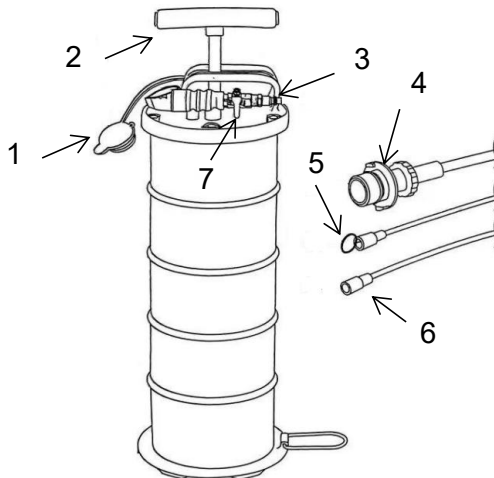
SAVE THESE INSTRUCTIONS

MODEL AND PARAMETERS

Model	YS-088	YS-088A	YS-087	YS-087A	YS-087B
Capacity	6.5L	10L	6.5L	10L	15L
Vacuum Method	Manual	Manual	Pneumatic /Manual	Pneumatic /Manual	Pneumatic /Manual
Material	PP	PP	PP	PP	PP
Quick Coupler	/	/	1/4" NPT	1/4" NPT	1/4" NPT
Air supply Pressure	/	/	0.4~0.8 Mpa	0.4~0.8 Mpa	0.4~0.8 Mpa

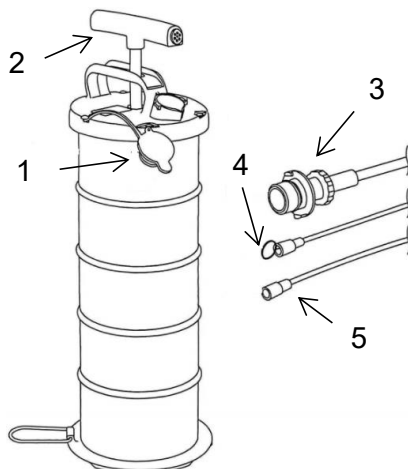
STRUCTURE DIAGRAM

1. Take YS-087 as an example(Pneumatic/Manual)



1. Sealing Cap 2. Manual Mode 3. Pneumatic Mode 4. Main Tube
 5. Extension Tube 1+ Dipstick 6. Extension Tube 2 7. Air Inlet Valve

2. Take YS-088 as an example(Manual)



1. Sealing Cap 2. Manual(Handle) 3. Main Tube
 4. Extension Tube 1+ Dipstick 5. Extension Tube 2

COMPONENTS

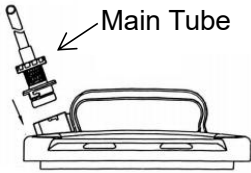
NO.	Name	YS-088	YS-088A	YS-087	YS-087A	YS-087B
1	Oil Extractor	1	1	1	1	1
2	Main Tube	1	1	1	1	1
3	Extension Tube 1+ Wire	1	1	1	1	1
4	Extension Tube 2	1	1	1	1	1
5	Seal Ring	2	2	2	2	2
6	Hose with Check Valve	1	1	1	1	1
7	User Manual	1	1	1	1	1

OPERATING INSTRUCTION

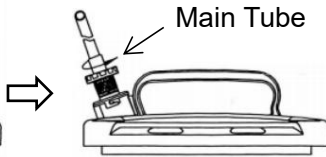
Step 1 .To make the extraction job smooth and easy, evacuate the oil while it is warm. Cool down the engine at least 15 minutes after driving.

Working temperature between:35F-140F.

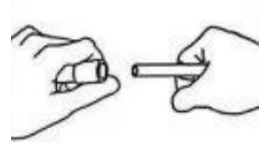
Step 2 . Remove the tank cover, select a suitable tube to insert. If the hose is not long enough, connect an extension tube to the main tube, until it reaches the bottom of the oil pan.



Insert



Counterclockwise to lock



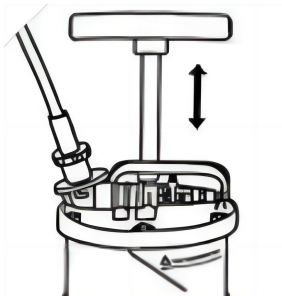
Extension tube connection

Step 3 . Extract Oil.

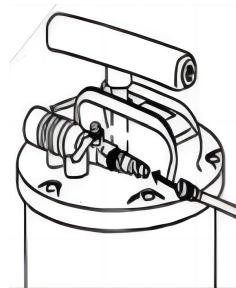
Pneumatic mode: Connect the 1/4" NPT quick coupler to the air compressor or air source. Set the the operating pressure between 0.4~0.8Mpa.

Manual mode: Close the air inlet valve. Make sure the tubes are connected tightly.

Pump the fluid extractor with your hands.



Manual



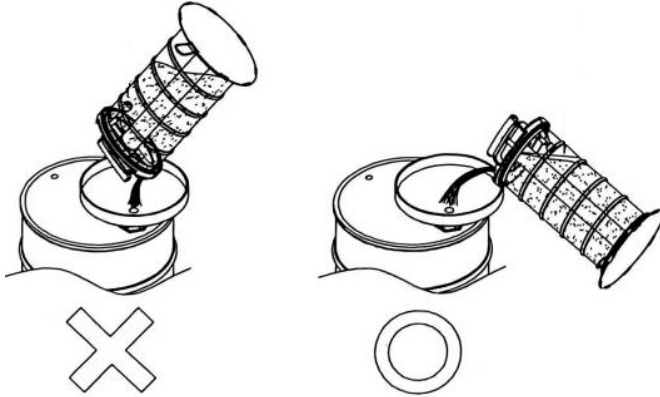
Pneumatic

Step 4 . Remove the main tube clockwise.The air source must be disconnected in pneumatic mode.

Pour out the used fluid to another container and take it to the nearby disposal center for recycling.

WARNING

- 1) Do not extract the oil over the limit line on the tank, the bottom line helps prevent any spilling.
- 2) If the fluid goes over the limit line, it might flow into the vacuum chamber and cause leaking from bottom.
- 3) Noted that the fluid should not be over the limit line while pouring.



MAINTENANCE

1. Inspect periodically all parts and accessories and replace them if damaged or used.
2. Have damaged parts replaced by an authorized service center.
3. Check the nuts periodically and tighten them if they are loose.
4. Keep the product properly maintained and clean for better and safer performance.
5. After use, it is recommended to clean the product to preserve.

Sanven Technology Ltd.

Address: Suite 250, 9166 Anaheim Place, Rancho Cucamonga, CA 91730

Made In China

VEVOR[®]

TOUGH TOOLS, HALF PRICE

Technical Support and E-Warranty Certificate

www.vevor.com/support