

# **VEVOR<sup>®</sup>**

## **TOUGH TOOLS, HALF PRICE**

Technical Support and E-Warranty Certificate [www.vevor.com/support](http://www.vevor.com/support)

### **TRIMMER RACK**

**MODEL: 6601**

We continue to be committed to provide you tools with competitive price.

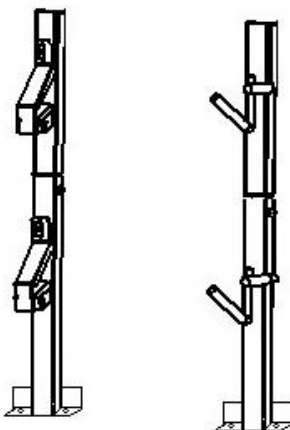
"Save Half", "Half Price" or any other similar expressions used by us only represents an estimate of savings you might benefit from buying certain tools with us compared to the major top brands and does not necessarily mean to cover all categories of tools offered by us. You are kindly reminded to verify carefully when you are placing an order with us if you are actually saving half in comparison with the top major brands.

# VEVOR<sup>®</sup>

TOUGH TOOLS, HALF PRICE

## TRIMMER RACK

MODEL: 6601



### NEED HELP? CONTACT US!

Have product questions? Need technical support? Please feel free to contact us:

**Technical Support and E-Warranty Certificate**  
**[www.vevor.com/support](http://www.vevor.com/support)**

This is the original instruction, please read all manual instructions carefully before operating. VEVOR reserves a clear interpretation of our user manual. The appearance of the product shall be subject to the product you received. Please forgive us that we won't inform you again if there are any technology or software updates on our product.

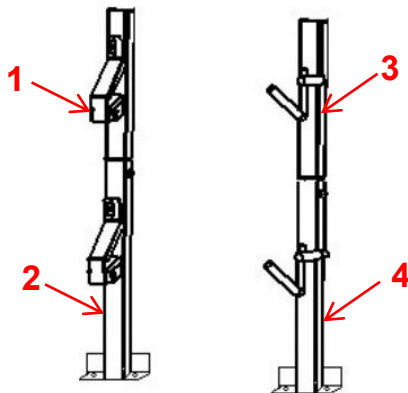
## SAFETY INSTRUCTIONS

1. Always wear safety glasses when using power tools.
2. Check under the trailer and/or fender for locations of brake lines and electrical wiring etc., before drilling any holes. Any damage to the trailer during installation is the installer's sole responsibility.
3. Due to the many different ways trailers are built, the hardware required to attach the rack is not included and must be supplied by the user.
4. Prepare the tools required for the installation by yourself.

## MODEL AND PARAMETERS

<b>Model</b>	6601
<b>Mounting Type</b>	Standing Mounted
<b>Slot</b>	2
<b>Maximum Load Capacity</b>	22 lbs / slot
<b>Total Product Height</b>	770±10mm

## STRUCTURE DIAGRAM



1. Locking Pole- Up

2. Locking Pole- Down

## 3. Compression Pole- Up

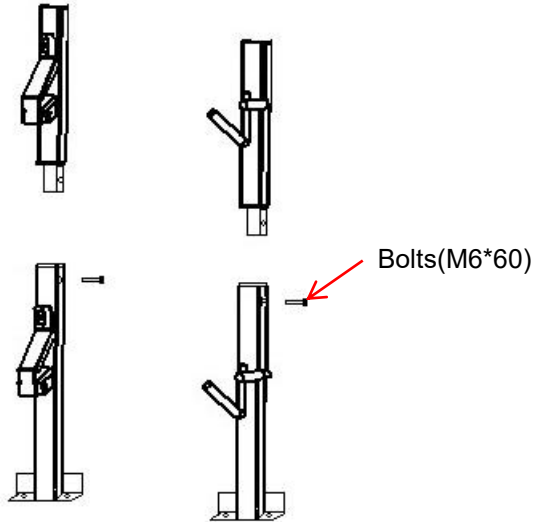
## 4. Compression Pole- Down

## COMPONENTS

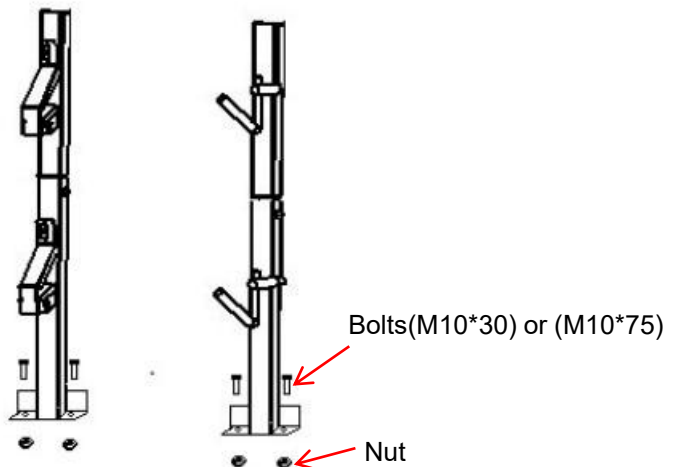
No.	Picture	Name	Qty
1		Locking Pole- Up	1
2		Locking Pole- Down	1
3		Compression Pole- Up	1
4		Compression Pole- Down	1
5		Bolts(M10*30)	4
6		Bolts(M10*75)	4
7		Nut(M10)	4
8		Bolts(M6*60)	4
9		Nut(M6)	4
10		Coded Lock	2
11		User Manual	1

## ASSEMBLY AND USE

### Step 1: Assembly the Bracket.

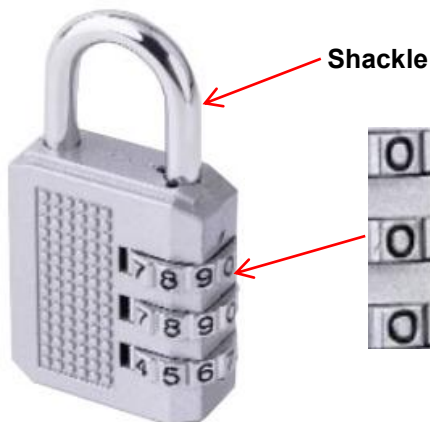


### Step 2: Mounting to the trailer.



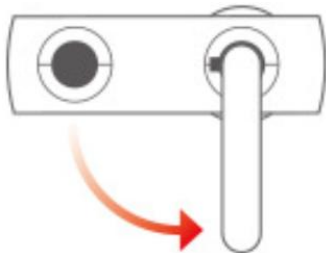
## INSTRUCTIONS FOR THE CODED LOCK

The lock is opened at the original number 0-0-0, aligned with the indication line.(Even though dials may be positioned at different numbers.)



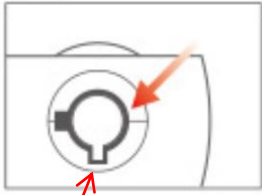
**To set your personal combination, follow these steps:**

1. Pull up the shackle to open the lock.

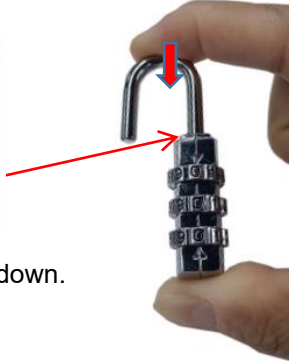


2. Rotate the shackle 90°counterclockwise and press all the way down.

(Note: Keep pressing until the password is changed.)



Align the slots and press down.



3. Set your own combination by turning dials.



Keep pressing until the password is changed.

4. Turn the shackle back as normal. Then the setting is completed.



## **MAINTENANCE**

---

1. Do not overload.
2. Please check and confirm whether the screws are loose every two months.
3. If any part of the paint is broken, please repair the paint as soon as possible to prevent rust.



**VEVOR<sup>®</sup>**

**TOUGH TOOLS, HALF PRICE**

**TechnicalSupport and E-Warranty Certificate**

**[www.vevor.com/support](http://www.vevor.com/support)**