

# **VEVOR<sup>®</sup>**

## **TOUGH TOOLS, HALF PRICE**

Technical Support and E-Warranty Certificate [www.vevor.com/support](http://www.vevor.com/support)

## **POSITIONING SQUARES**

We continue to be committed to provide you tools with competitive price.

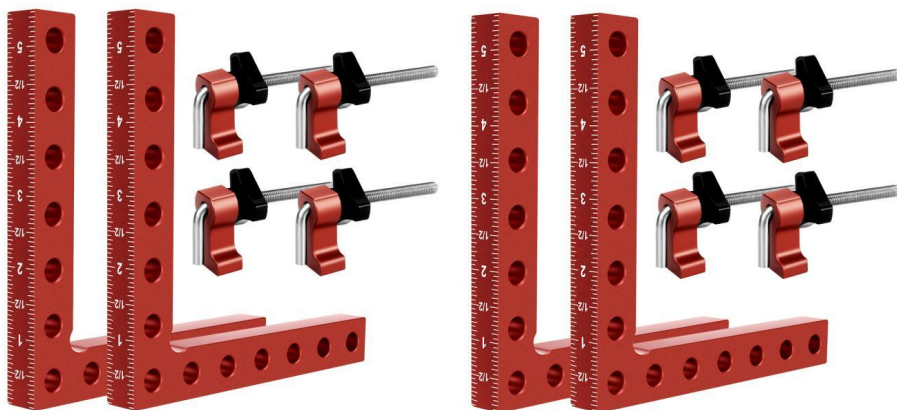
"Save Half", "Half Price" or any other similar expressions used by us only represents an estimate of savings you might benefit from buying certain tools with us compared to the major top brands and does not necessarily mean to cover all categories of tools offered by us. You are kindly reminded to verify carefully when you are placing an order with us if you are actually saving half in comparison with the top major brands.

# VEVOR<sup>®</sup>

TOUGH TOOLS, HALF PRICE

## POSITIONING SQUARES

MODEL:140\*140\*4



### NEED HELP? CONTACT US!

Have product questions? Need technical support? Please feel free to contact us:

**Technical Support and E-Warranty Certificate**  
[www.vevor.com/support](http://www.vevor.com/support)

This is the original instruction, please read all manual instructions carefully before operating. VEVOR reserves a clear interpretation of our user manual. The appearance of the product shall be subject to the product you received. Please forgive us that we won't inform you again if there are any technology or software updates on our product.



Warning-To reduce the risk of injury, user must read instructions manual carefully.

## INTRODUCE ITM DETAILS



90 Degree Right Positioning Clamp

\*4



Suitable for Thicker Plates

\*8



High Quality Plastic Knobs

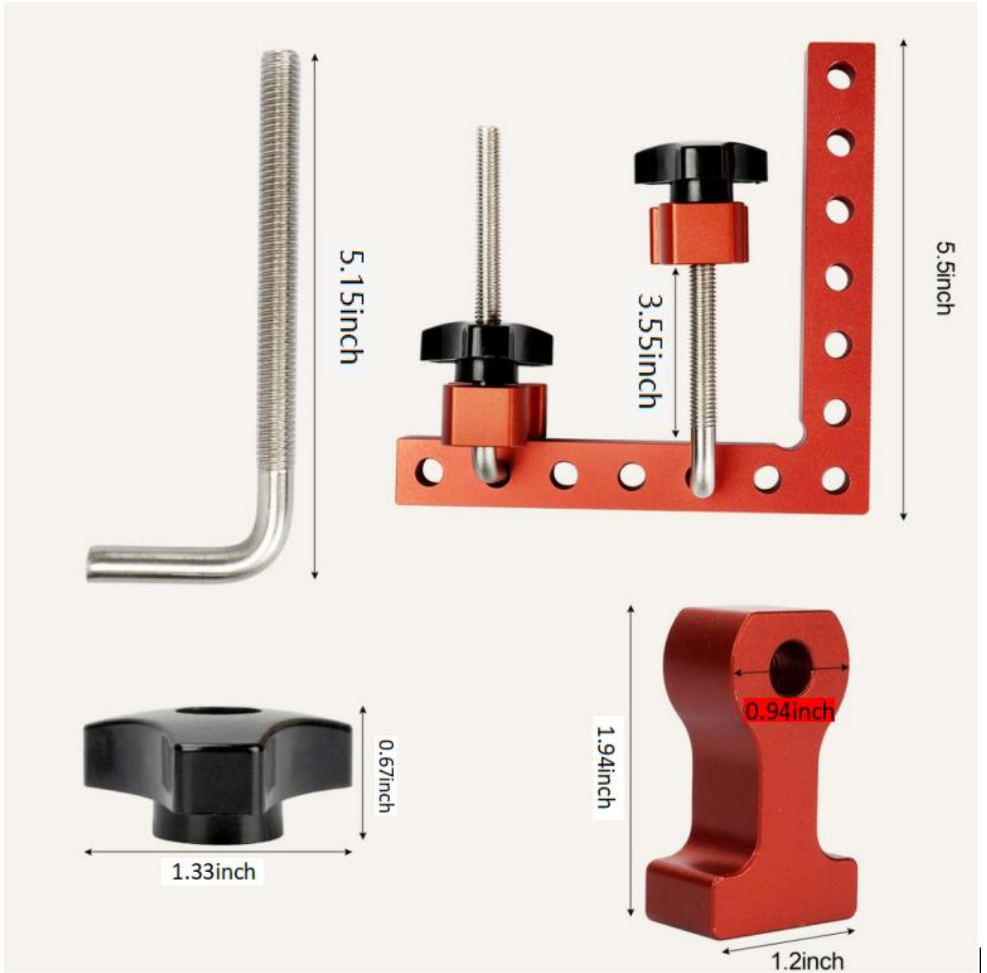
\*8



Adjustable Fixed Block

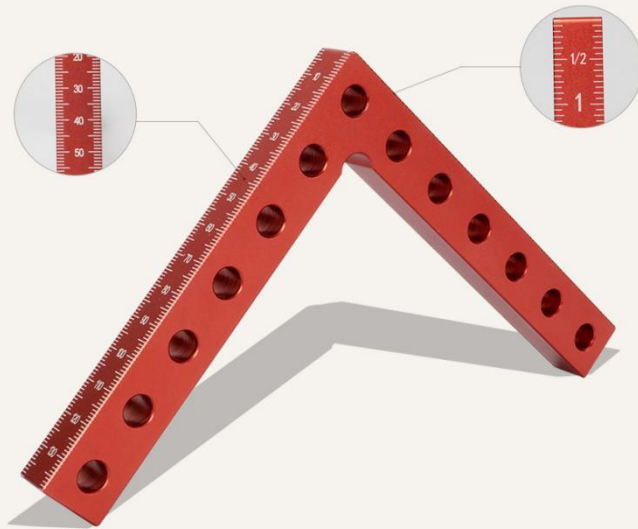
\*8

These assembly tools are CNC machined out of one solid chunk of aluminum to a tolerance of  $\pm 0.0255$  degrees.



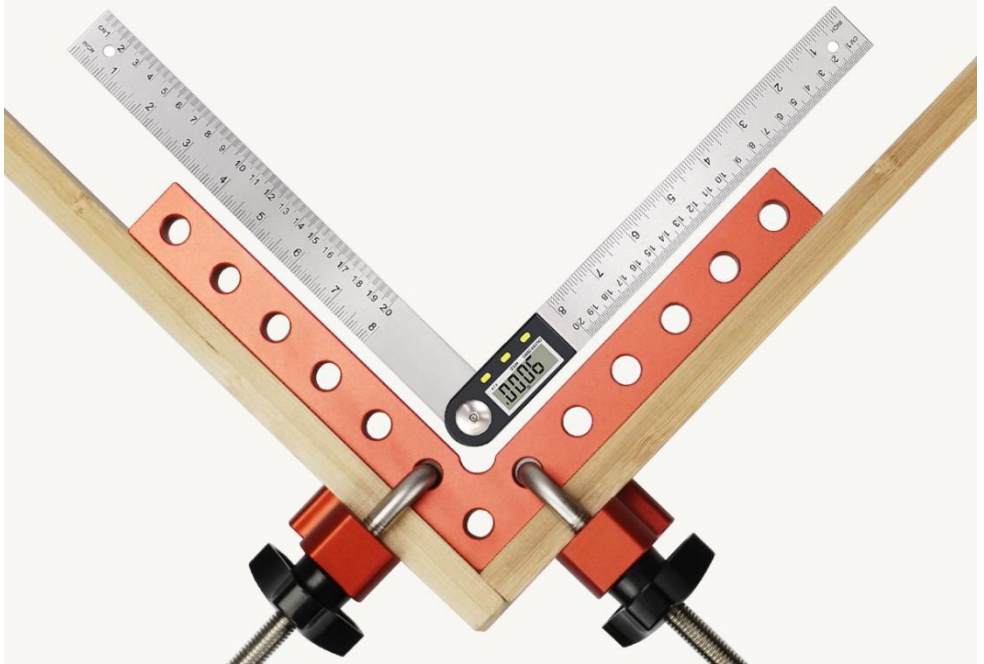
# ANODIZED ALUMINUM ALLOY STRUCTUE

Two measurement methods, laser engraving, accurate scale, durable and easy to read. The 90-degree positioning clip adopts a high-strength metal structure to ensure the best durability and lightweight usability.



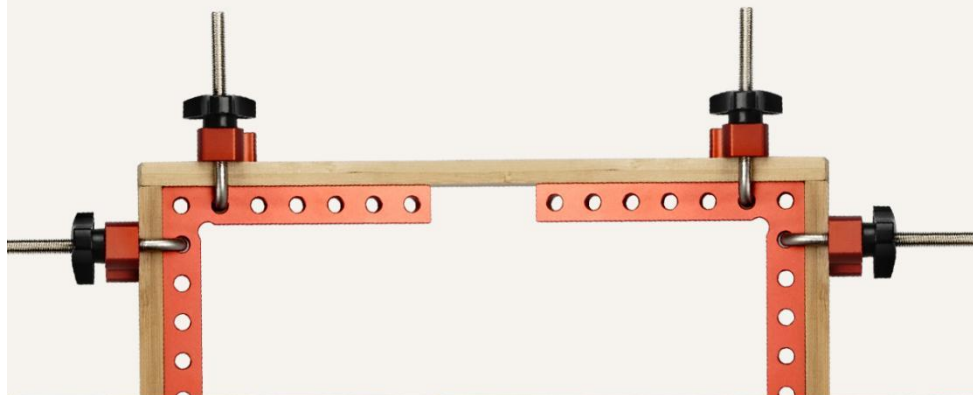
# PERFECT 90 DEGREE

This clamping squares for woodworking are precision engineered and rigorously tested to ensure you get the dead square corners and joints so necessary for keeping your projects in specification.



# EXQUISITE CRAFTSMANSHIP

Suitable for some home projects.



**VEVOR<sup>®</sup>**

**TOUGH TOOLS, HALF PRICE**

**Technical Support and E-Warranty Certificate**

**[www.vevor.com/support](http://www.vevor.com/support)**