

VEVOR[®]

TOUGH TOOLS, HALF PRICE

Technical Support and E-Warranty Certificate www.vevor.com/support

PERMANENT MAGNETIC LIFTER USER MANUAL

We continue to be committed to provide you tools with competitive price.

"Save Half", "Half Price" or any other similar expressions used by us only represents an estimate of savings you might benefit from buying certain tools with us compared to the major top brands and does not necessarily mean to cover all categories of tools offered by us. You are kindly reminded to verify carefully when you are placing an order with us if you are actually saving half in comparison with the top major brands.

VEVOR[®]

PERMANENT MAGNETIC LIFTER



NEED HELP? CONTACT US!

Have product questions? Need technical support? Please feel free to contact us: Technical Support and E-Warranty Certificate www.vevor.com/support

This is the original instruction, please read all manual instructions carefully before operating. VEVOR reserves a clear interpretation of our user manual. The appearance of the product shall be subject to the product you received. Please forgive us that we won't inform you again if there are any technology or software updates on our product.

1. The maintenance and safety

WARNING!

Read this material before using this product. Failure to do so can result in serious injury. **SAVE THIS MANUAL**

1.1 The idle load of the permanent lifter is forbidden. Empty loading is strictly prohibited! Prevent the handle from rebounding and hurting people!

1.2 The permanent magnetic lifter must work within the rated weight. It is forbidden for over loading to avoid an accident.

1.3 It is forbidden to stand under or through the hoisted work piece during operation.

1.4 When the work piece is in the air during operation, the moving operation can be started.

1.5 Do not turn the handle when the lifter bottom hasn't magnetized work piece.

1.6 Please check the slide-key and positioning-bolt regularly to guarantee reliable lock and safety.

1.7 Keep the absorbing surface clean and flat. Remove the impurity on the surface.

1.8 Do not strike and impact the permanent magnetic lifter during operation, these may influence its performance.

1.9 Please demarcate and test the lifter every two years after putting into use to ensure safety.

1.10. The height of lifting heavy objects should not be higher than 1 meter.

1.11. The product should be adsorbed at the center of gravity of the heavy object, and the adsorption surface should not deviate from the center by 5cm, so as to prevent the object from tilting, falling off and hurting people when lifting the heavy object.

1.12. Before storage, antirust oil shall be wiped on the adsorption surface to prevent rust.

2.Main Usage and characteristics

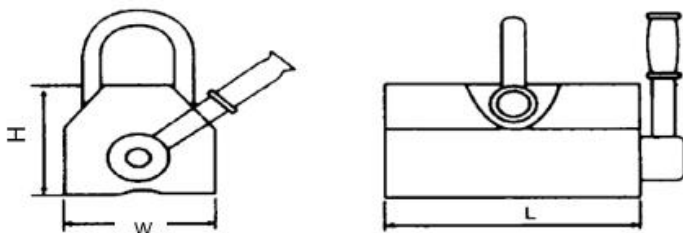
The permanent magnetic lifter of the PML series is mainly used to magnetize plant shapes or column ironware materials and work pieces. The permanent magnetic lifter of the PML series is mainly used to magnetize plant shapes or

column ironware materials and work pieces, and powerful magnetism, it has been widely used as the hoisting tool in factory, dock, storehouse and transportation.

3. Main structure and parameters

The Nd-Fe-B high performance permanent magnetic material is used for the permanent magnetic lifter. It can produce very strong magnetism within the magnetic circuit. The handle can be used to switch on or off the core shaft of the lifter and is free of power supply. When the lifter is under working status, the magnetism of the lifter bottom will form a pair of longitudinal magnetic pole to firmly absorb the work piece of iron material. There is a V shape groove on the attraction surface, so it can be used for both plank-shape work piece and column-one.

Main Technology parameters



Model	PML-100	PML-300	PML-400	PML-600	PML-1000	PML-1500	PML-2000
Rated Lifting Force	100kgf	300kgf	400kgf	600kgf	1000kgf	1500kgf	2000kgf
Working Temp	-40°~ 80°	-40°~ 80°	-40°~ 80°	-40°~ 80°	-40°~ 80°	-40°~ 80°	-40°~ 80°
L×W×H	93×60×7 5mm	160×92× 96mm	160×92× 96mm	220×110 ×115mm	260×135× 140mm	300×135× 140mm	350×158× 168mm
G.W.	3.2kg	9.5kg	9.8kg	21kg	33kg	42kg	67kg
Handle Surface Finishing	Chrome Plated	Chrome Plated	Chrome Plated	Chrome Plated	Chrome Plated	Chrome Plated	Chrome Plated
Hook Surface Finishing	Chrome Plated	Chrome Plated	Chrome Plated	Chrome Plated	Chrome Plated	Chrome Plated	Chrome Plated
Lifter Main Body	Powder Coating	Powder Coating	Powder Coating	Powder Coating	Powder Coating	Powder Coating	Powder Coating

4. The Choice of the type

According to the work piece's thickness, weight, the gap of the work piece and the permanent magnetic lifter, material, the area of the attraction, the balance of the weight and the roughness degree of the surface, and then choose the relevant type.

4.1 The conversion reference of the thickness and lifting power:

4.2 The surface roughness of the material(Fx), the material(Mx)and the lifting.

	Steel plate thickness		Rate of the hoisting capacity						
	mm	inch	PML-2000	PML-1000	PML-600	PML-400	PML-300	PML-100	
T1	Up60	Up2.36"	100%	100%	100%	100%	100%	100%	
T2	55	2.16"							
T3	50	1.97"	95%						
T4	45	1.77"	85%						
T5	40	1.57"	80%						
T6	35	1.38"	70%	85%	85%	85%	90%	100%	
T7	30	1.18"	60%	75%					
T8	25	0.98"	50%	65%					
T9	20	0.79"	40%	55%	70%	85%	90%	65%	
T10	15	0.59"	30%	45%	55%	65%	70%		
T11	10	0.39"	20%	30%	40%	45%	50%	65%	
T12	5	0.20"	10%	15%	20%	25%	30%	35%	

The load capacity and the roughness of surface:

0 50% 100% 125%

F1	1.6μm	125%
F2	6.3μm	100%
F3	12.6μm	90%
F4	~	80%

M1

(low carbon steel) 100%

M2

(Inside carbon steel)90%

M3

(High carbon steel)80%

M4

(Low metal alloy steel)

M5

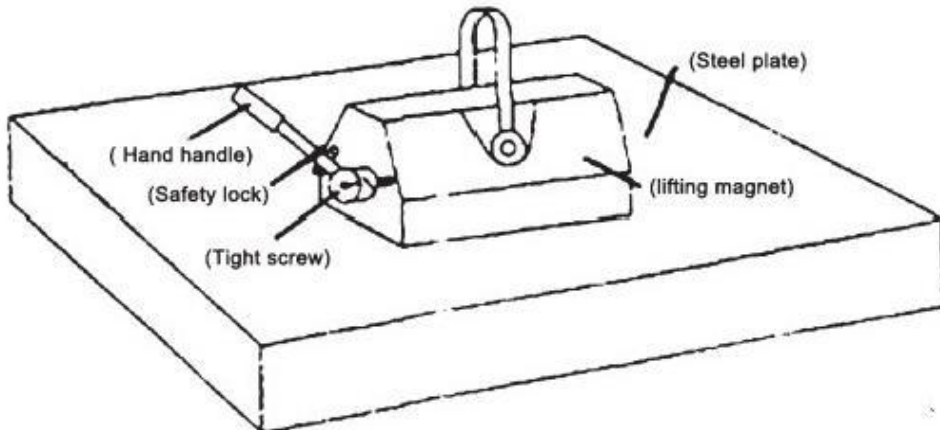
(Cast iron)50%

4.3 The conversion formula of the lifting range-(Tx*Fx*Mx rated lifting weight(kg))

4.4 For example: material condition: T8,F1,M3,1000kg(PML-1000)

5 The operation and use

5.1 Install method



In the first step, place the permanent magnetic lifter in the center of the steel.



The second step,press the handle button and turn the handle from OFF to ON, and the handle can only be released after the safety lock is locked. It is strictly forbidden to use it with no load or overload.



The third step is to keep the cargo balanced.

The fourth step, after the goods are transported to the destination, put them down gently.

3



Press and hold the handle button to move the handle from the ON position to the OFF position.

4



The last step, after confirming that the permanent magnetic lifter is closed, remove the permanent magnetic lifter and store it in a dry place to prevent rust.

5.2 The work piece's material, thickness, quality of surface will influence the lifting power, therefore before operation, should according to the practical situation, T_x and lifting power conversion, F_x , M_x , and lifting power conversion and then estimate the lifter's lifting power, and then decide the actuarial hoisting capacity.

5.3 The lifting power of permanent magnetic lifter in relation to the attracting area, when in using, try best to make the area largest.

5.4 The handle operate power has relation with the using degree of the lifter's lifting capacity, such as lifting a column work piece, thin work piece, the surface roughness above $6.3\mu\text{m}$, or worse with smaller attraction area, the handle operate power will be aggrandizement.

VEVOR[®]

TOUGH TOOLS, HALF PRICE

Technical Support and E-Warranty Certificate

www.vevor.com/support