

VEVOR[®]

TOUGH TOOLS, HALF PRICE

Technical Support and E-Warranty Certificate

www.vevor.com/support

STEERING WHEEL STAND

MODEL: WS-P02

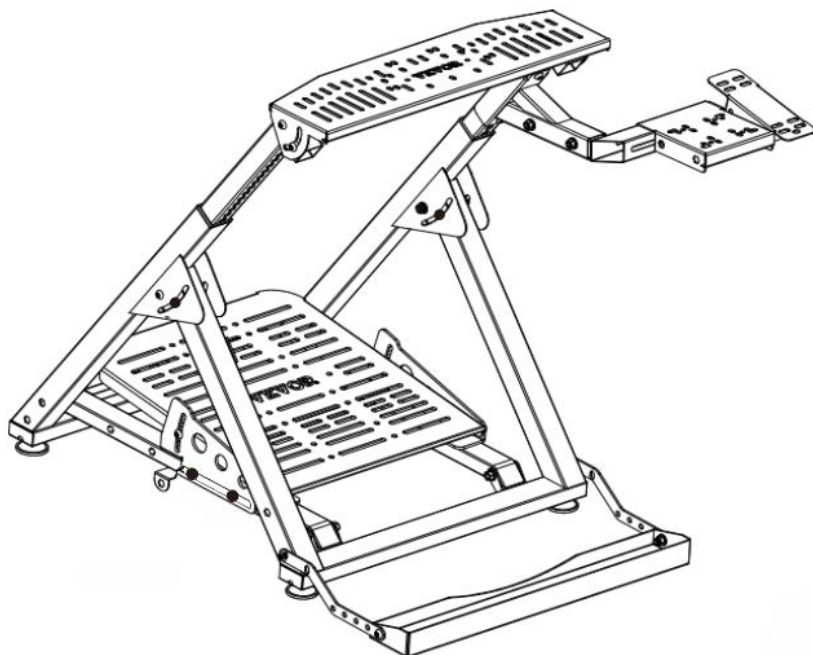
We continue to be committed to provide you tools with competitive price. "Save Half", "Half Price" or any other similar expressions used by us only represents an estimate of savings you might benefit from buying certain tools with us compared to the major top brands and does not necessarily mean to cover all categories of tools offered by us. You are kindly reminded to verify carefully when you are placing an order with us if you are actually saving half in comparison with the top major brands.

VEVOR[®]

TOUGH TOOLS, HALF PRICE

STEERING WHEEL STAND

MODEL: WS-P02



NEED HELP? CONTACT US!

Have product questions? Need technical support? Please feel free to contact us:

Technical Support and E-Warranty Certificate
www.vevor.com/support

This is the original instruction, please read all manual instructions carefully before operating. VEVOR reserves a clear interpretation of our user manual. The appearance of the product shall be subject to the product you received. Please forgive us that we won't inform you again if there are any technology or software updates on our product.

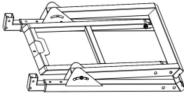









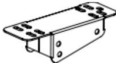










Warning-To reduce the risk of injury, user must read instructions manual carefully.









Attentions

- Please install and use the stand according to instruction .
- Please install moderately, avoid strong vibration .
Don't keep in humid conditions, high temperature or a dusty location .
- The product structure is flexible, wear work gloves during assembly. please take care of hurting hand when installation.
- Children should under adult's supervision when using the product.

Save the manual.

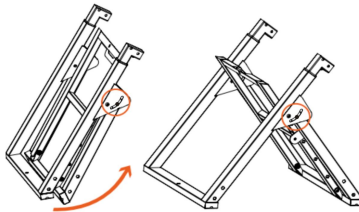
Part List			
Code	Picture	Name	QTY.
1		Wheel Stand	1
2		Pedal Plate	1
3		Wheel Plate	1

4		Shifter Mounting Arm	1
5		Shifter Arm	1
6		Gaming Chair Cradle	1
7		Cradle Bracket	2
8		Shifter Plate	1
9		Hand Brake Plate	1
10		Right Pedal Plate Bracket	1
11		Left Pedal Plate Bracket	1
12		Knob 32-M8*20	1
13		Knob 38-M8*20	4
14		Feet	4
15		Screw M6*16	12
16		Screw M8*16	18
17		Screw M8*50	6
18		Nut M6	12
19		Washer 8	22

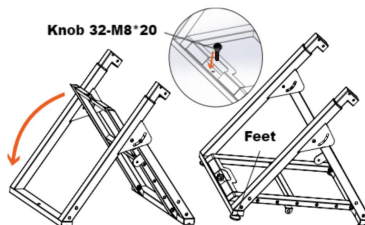
20		Nut M8	6
21		Hex key 4	1
22		Hex key 5	1
23		Universal Casters	2
24		Wench 10	1
25		Wench 12	1
26		Wench 13	1
27		Binding Strap	6

Note:12pcs screws M6*16、 6pcs nuts M6 and 2pcs Universal Casters are complimentary.

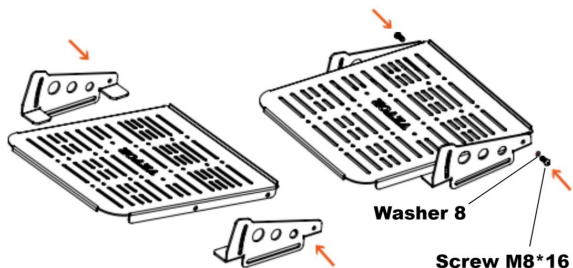
STEP 1: Loosen the two knobs circled to unfold wheel stand.



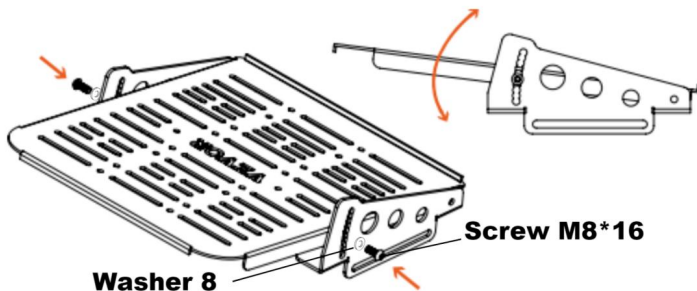
STEP 2: Cut the plastic ties ,then lay down the pedal frame and reinstall the twist knob at the front of the pedal.And install the feet.



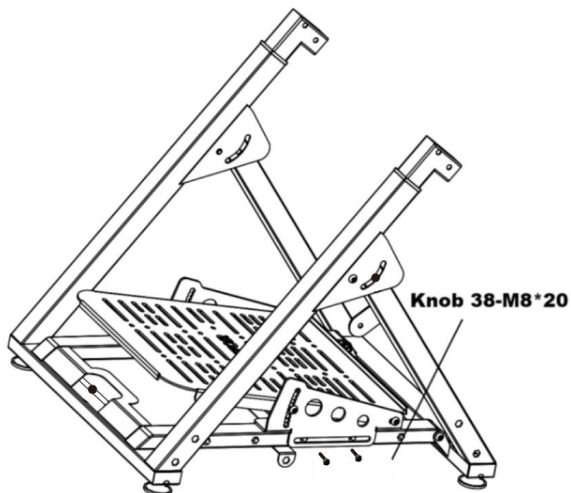
STEP 3: Line up the back holes on the pedal plate with the back holes on the pedal brackets and bolt through using 2 x M8*16 screws and washers.



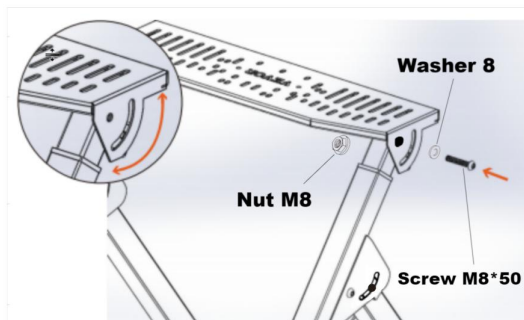
STEP 4: Adjust the pedal plate to your desired angle and bolt through the front holes using 2 x M8*16 screws and washers.



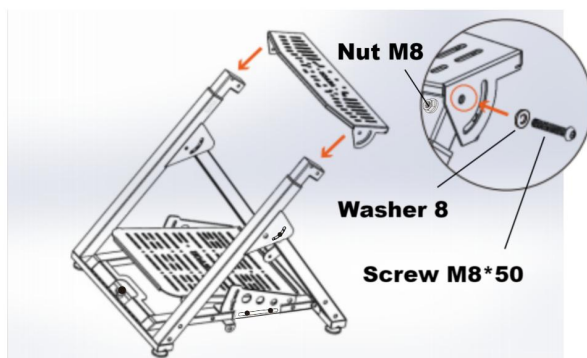
STEP 5:



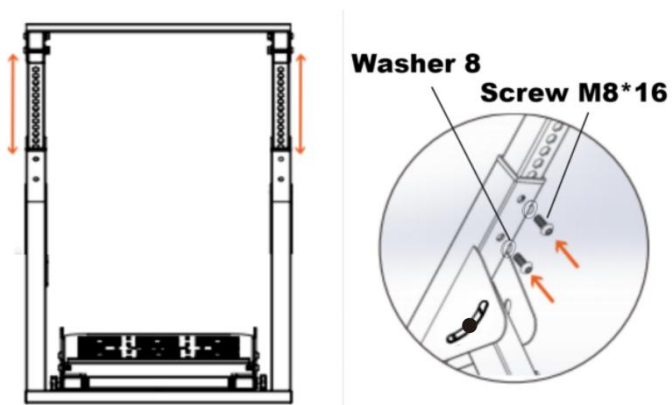
STEP 6:



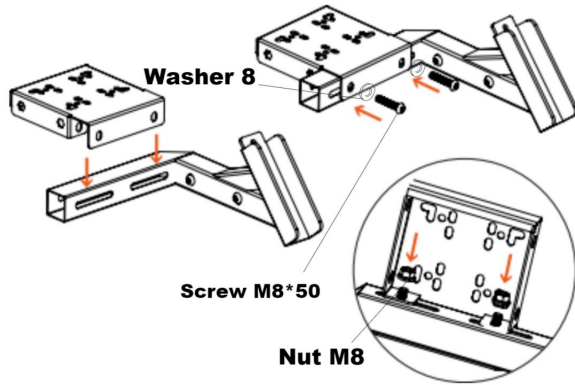
STEP 7:



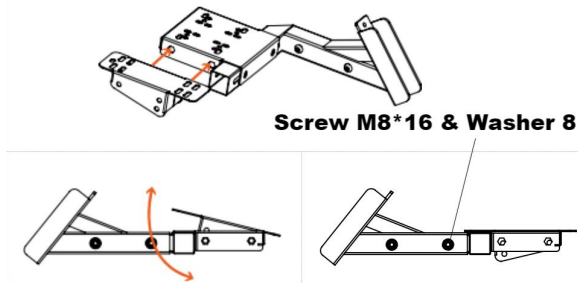
STEP 8:



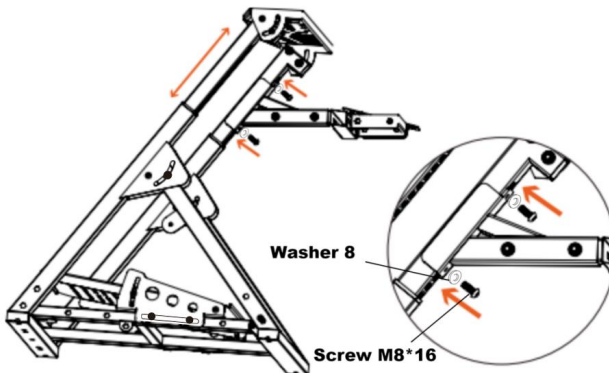
STEP 9:



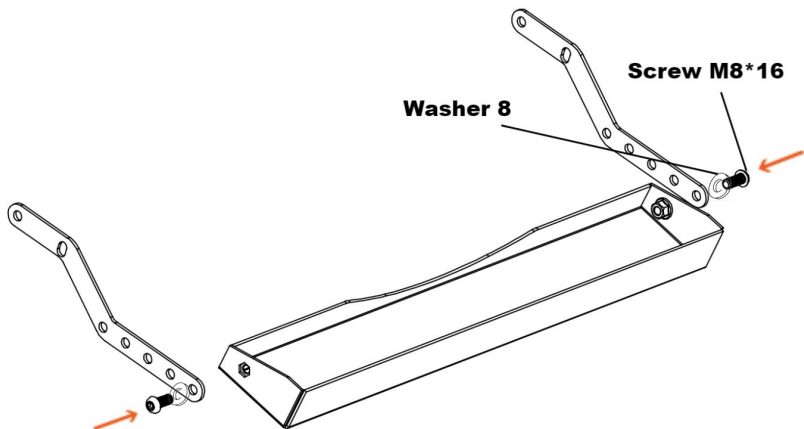
STEP 10:



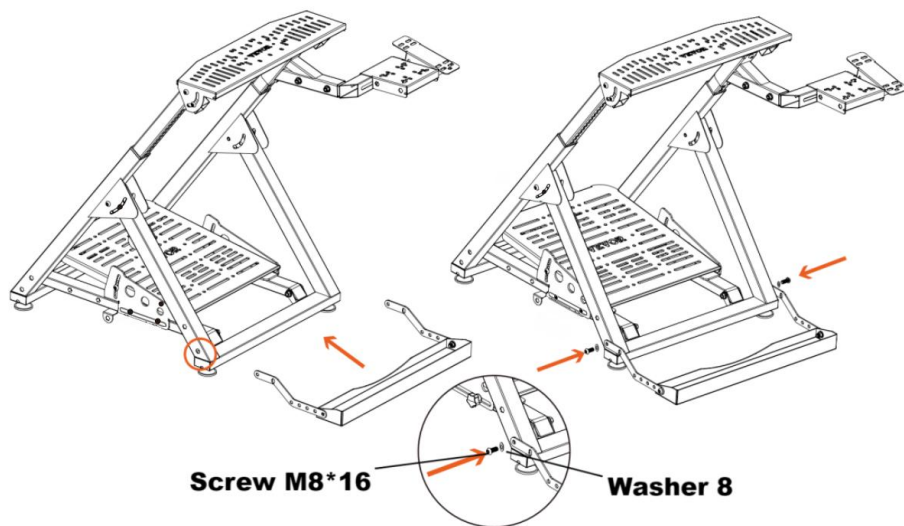
STEP 11: Line up the holes on the Shifter Mounting Arm with the threaded inserts on the vertical post choose your desired height securing with 2x M8*16mm screws and washers.



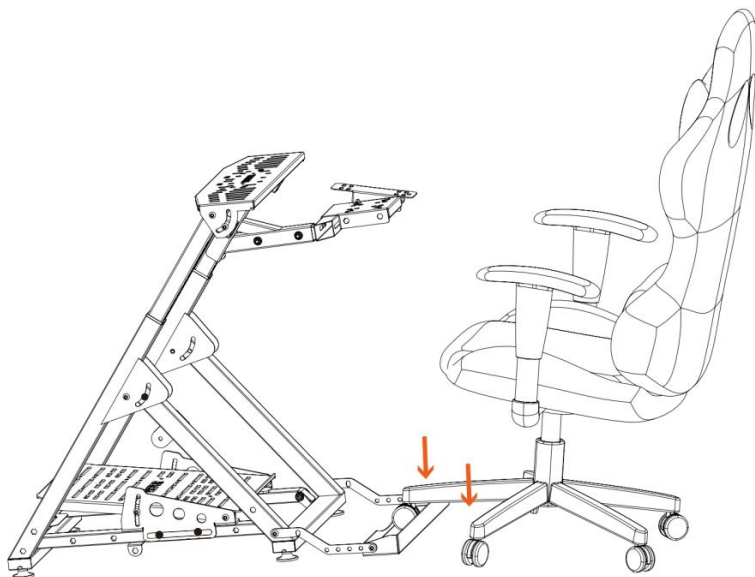
STEP 12:



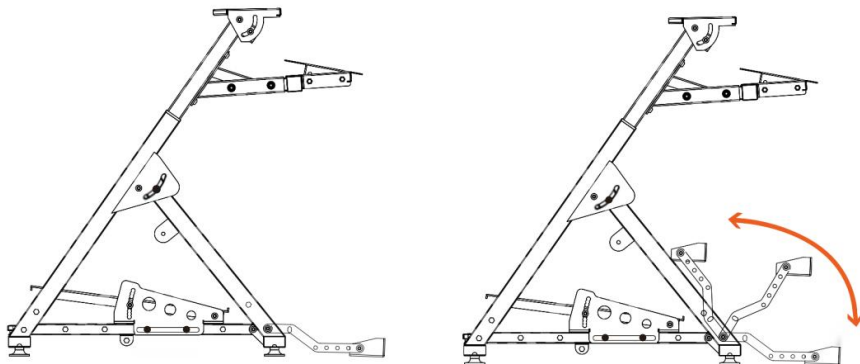
STEP 13:



STEP 14: Seat Placement



STEP 15: Stow away the Gaming Chair Cradle as shown to allow easy folding of the stand for storage.



Manufacturer: Shanghaimuxinmuyeyouxiangongsi

Address: Shuangchenglu 803nong11hao1602A-1609shi, baoshanqu, shanghai 200000 CN.

Imported to AUS: SIHAO PTY LTD. 1 ROKEVA STREETEASTWOOD NSW 2122 Australia

Imported to USA: Sanven Technology Ltd. Suite 250, 9166 Anaheim Place, Rancho Cucamonga, CA 91730



E-CrossStu GmbH
Mainzer Landstr.69, 60329 Frankfurt am Main.



YH CONSULTING LIMITED.
C/O YH Consulting Limited Office 147, Centurion House, London Road, Staines-upon-Thames, Surrey, TW18 4AX

VEVOR[®]
TOUGH TOOLS, HALF PRICE

Technical Support and E-Warranty Certificate
www.vevor.com/support