

# **VEVOR<sup>®</sup>**

**TOUGH TOOLS, HALF PRICE**

Technical Support and E-Warranty Certificate

[www.vevor.com/support](http://www.vevor.com/support)

## **SUBMERSIBLE UTILITY PUMP INSTRUCTIONS**

**MODEL: ZXQ1100-B**

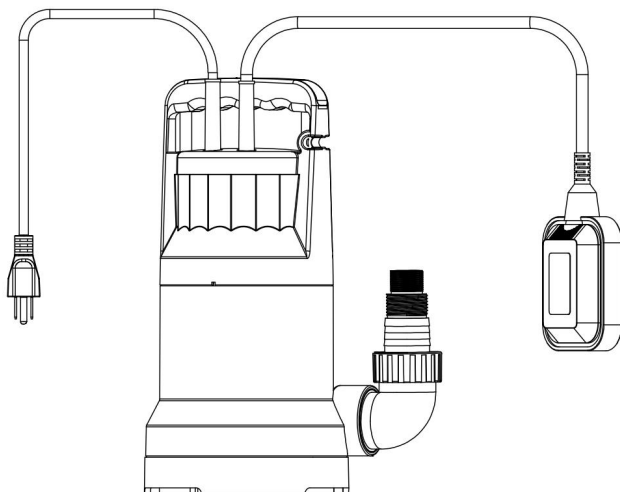
We continue to be committed to provide you tools with competitive price. "Save Half", "Half Price" or any other similar expressions used by us only represents an estimate of savings you might benefit from buying certain tools with us compared to the major top brands and does not necessarily mean to cover all categories of tools offered by us. You are kindly reminded to verify carefully when you are placing an order with us if you are actually saving half in comparison with the top major brands.

# VEVOR®

TOUGH TOOLS, HALF PRICE

## SUBMERSIBLE UTILITY PUMP

**MODEL: ZXQ1100-B**



### NEED HELP? CONTACT US!

Have product questions? Need technical support? Please feel free to contact us:

**Technical Support and E-Warranty Certificate**  
**[www.vevor.com/support](http://www.vevor.com/support)**

This is the original instruction, please read all manual instructions carefully before operating. VEVOR reserves a clear interpretation of our user manual. The appearance of the product shall be subject to the product you received. Please forgive us that we won't inform you again if there are any technology or software updates on our product.



Warning-To reduce the risk of injury, user must read instructions manual carefully.

## ATTENTION

### WARNING

1. The water pump must be placed upright-do not operate the device on its side.
2. When the water pump works for long periods ensure that it is completely submerged in water so that the water pump can be fully cooled -this is a necessary operational condition for all submerged water pumps.
3. When the water pump is working at a low water level ensure that it is only used for short-term work;the water pump must not run at a low water level for a long time otherwise it will overheat.

### SAVE THIS MANUAL

### WARNING

Read this material before using this product.Failure to do so can result in serious injury.

## SPECIFICATION PARAMETERS

Model	Input	Max Power	Max Flow	Max Lift	Waterproof Rating	Outlet size
ZXQ1100 -B	AC110-120V 60Hz	1 HP	4000 GPH	31 FT	IPX8	G1-1/2"

### Before start-up,note the following:

The pump must be connected to a GFCI protected plug which has been installed according to regulations.

The plug must have a supply voltage of AC110-120V 60Hz.

## CAUTION

This pump has been evaluated for use with water only.

**IMPORTANT!** For your own safety-before starting to run the pump,please have the **following items checked by an expert:**

- 1.Risk of electric shock-This pump is supplied with a grounding conductor and grounding-type attachment plug.To reduce the risk of electric shock,be certain that it is connected only to a properly grounded, grounding-type receptacle.
- 2.Risk of electric shock -This pump has not been investigated for use in swimming pool areas.
- 3.The electrical connections must be protected from moisture.
- 4.If there is a danger of flooding,the electrical connections must be taken to higher ground.
- 5.Circulation of caustic fluids,as well as the circulation of abrasive materials,must be avoided at all costs.
- 6.The pump must be protected from frost.
- 7.The pump must be protected from running dry.
- 8.Access by children should also be prevented with appropriate measures.
- 9.To prevent death from electric shock,pump must be connected only to a GFCI protected outlet
- 10.Do not use an extension cord with this item.
- 11.WARNING:The cord of this product contains lead and/or Di (2-EthylHexyl)Phthalate (DEHP),chemicals are known to the State of California to cause cancer, birth defects or other reproductive harm.Wash hands after handling.
- 12.People with pacemakers should consult their physician(s)before use.Electro-magnetic fields in close proximity to heart pacemaker could cause pacemaker interference or pacemaker failure.
- 13.The warnings,precautions,and instructions discussed in this instruction manual cannot cover all possible conditions and situations that may occur.It must be understood by the operator that common sense and

caution are factors that cannot be built into this product, but must be supplied by the operator.

### **Fluid Type**

The Pump is designed for use with water with a maximum temperature of 77°F (25°C). Do not use the pump for other fluids, especially not fuels, cleaning fluids, or other chemical products.

### **Installation**

The submersible motor pump must be installed in a stationary position with either:

- a. A fixed pipeline or
- b. A flexible hose pipe.

### **Power Supply**

1. The pump is equipped with a shock-proof plug according to regulations. The pump is designed to be connected to 110-120 VAC, 60Hz GFCI protected socket.
2. Make sure that the socket is sufficiently secured and is in excellent condition.
3. When the plug is inserted into the socket, the pump will be on standby.
- 4. WARNING:** To prevent death from electric shock, pump must be connected only to a GFCI protected outlet.
- 5. WARNING!** If the power cord or plug is damaged, do not use the pump. The power cord or plug may only be repaired by a certified electrician.

### **Areas of use**

1. This pump is designed to pump water only.
2. This pump is designed to be used for: Removing water from flooded basements, window wells, garages, flat roofs.
3. This pump should NOT be used for: Continuous run, fountain/pond water features. Septic or sewage systems.
4. This pump can also be used to transfer water (e.g., household, farming, plumbing).

## Installation Instructions

1. Place pump in water.

DANGER! Do not use an extension cord with this pump. Keep plug dry and secured away from water.

2. Attach one end of a discharge hose to the discharge port. Place the other end as needed to direct the water discharge at least 3 feet away from the source. Slope the discharge hose downward, away from the source.

3. Plug Power Cord into GFCI protected outlet.

## Operation

After reading these instructions, consider the following points before starting the pump:

1. Verify that the pump rests on the floor of the basin, if it is not suspended by the handle.

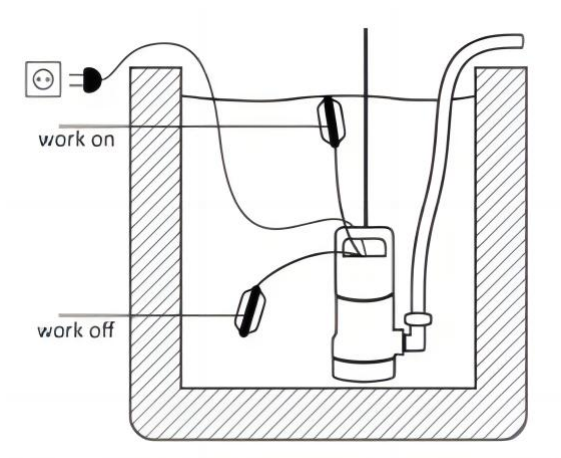
2. Verify that the discharge pipe is properly connected.

3. Verify that the electrical connection is 110 - 120 VAC 60 Hz.

4. Verify that the electrical socket is GFCI protected and in good condition. Test GFCI protected outlet before use.

5. Verify that water and moisture cannot get near the power supply socket.

6. Verify that the pump is installed so as to prevent running dry.



**NOTE:**

1. Plug can not be put into water, need to connect leakage protection.
2. The submersible pump needs water (0-35°C) to cool, and can not run in a dry environment for a long time.
3. The submersible pump is a clean pump, and it is prohibited to pump sewage.
4. The submersible pump should be completely immersed in water (except the plug) before use, and empty the air in the pump and the water pipe, otherwise the water may not be discharged.
5. ZXQ1100-B model pump are non-low water pump, when the water level is below 35 mm or so, it may not be able to pump water.

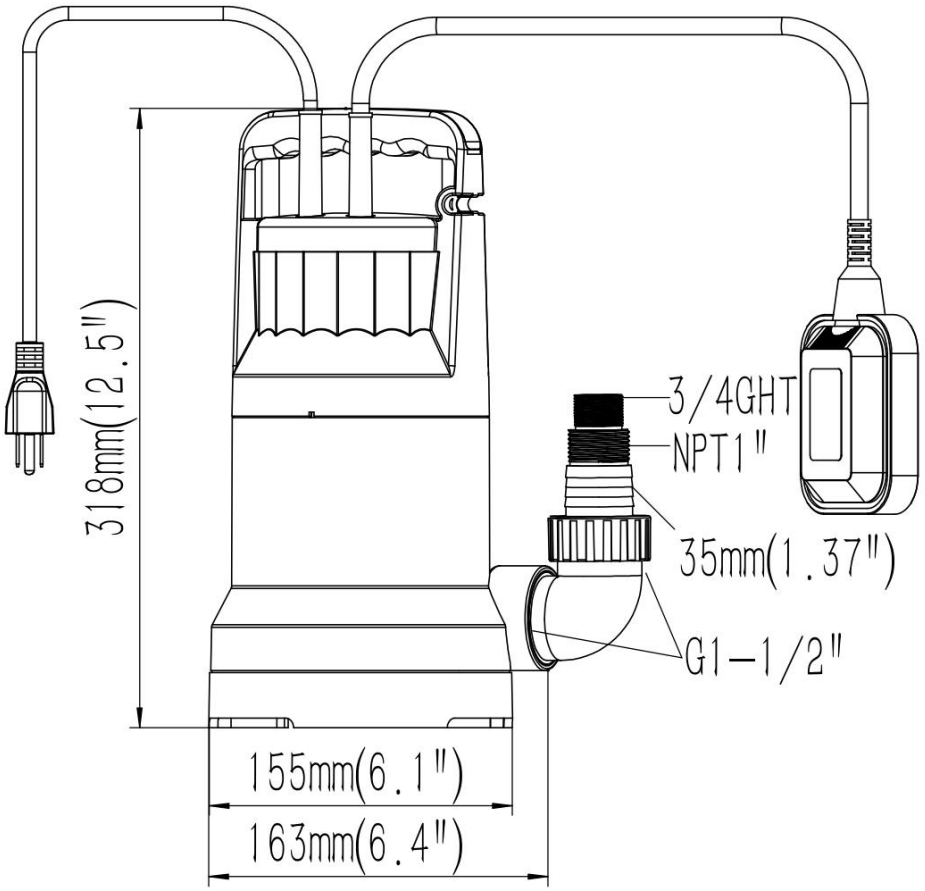
**WARNING**

TO PREVENT SERIOUS INJURY FROM ACCIDENTAL OPERATION:

Unplug the Pump from its electrical outlet before performing any inspection, maintenance, or cleaning procedures.

If the pump is moved during operation, flush it out with clean water after every use.

# PRODUCT SIZE





## FAILURE RECOVERY

Incidents	Causes	Remedies
Pump does not start	<ul style="list-style-type: none"> <li>-No mains supply</li> <li>- Floater does not switch</li> </ul>	<ul style="list-style-type: none"> <li>- Check mains supply</li> <li>- Bring floater in a higher position</li> </ul>
No flow	<ul style="list-style-type: none"> <li>-Inlet sieve is clogged</li> <li>-Pressure hose in bent</li> </ul>	<ul style="list-style-type: none"> <li>-Clean inlet sieve water jet</li> <li>- Reset hose</li> </ul>
Pump does not switch off	<ul style="list-style-type: none"> <li>- Floater cannot sink down</li> </ul>	<ul style="list-style-type: none"> <li>- Place pump properly on shaft ground</li> </ul>
Insufficient flow	<ul style="list-style-type: none"> <li>- Inlet sieve is clogged</li> <li>- Reduced pumping capacity by dirty and abrasive water</li> </ul>	<ul style="list-style-type: none"> <li>- Clean inlet sieve</li> <li>- Clean pump and replace worn-out parts</li> </ul>
Pump switches off after short operating period	<ul style="list-style-type: none"> <li>-Thermal cutout stops pumps due to dirty water</li> <li>- Water too hot. Thermal-cutout stops pump</li> </ul>	<ul style="list-style-type: none"> <li>- Remove mains plug. Clean pump and shaft</li> <li>- Make sure that the water temperature is at the maximum. 35°C is not exceed</li> </ul>

## MAINTENANCE GUIDELINES

This submersible pump is an approved and maintenance-free high-quality product, which is subject to severe final controls. We recommend, regular inspection and maintenance to ensure long equipment life and uninterrupted operation.

### **Important Note!**

- Remove the mains plug before all maintenance work.
- In the event that the pump is often transported in the course of operation, it should be cleaned out with clear water after every use.
- In case of stationary installation, the function of the floating switch should be checked every 3 months.
- All fibrous particles which may have built up inside the pump housing should be removed with a water jet.
- Every 3 months the shaft ground and impeller should be cleaned from mud.
- Remove deposits on the floater with clear water

### **Cleaning the impeller**

If excessive deposits are collected in the pump case you must dismantle the bottom part of the pump as follows:

1. Remove the intake cage from the pump case.
2. Clean the impeller with clear water.

**Important! Do not put down or rest the pump on the impeller!**

3. Assemble in reverse order



**VEVOR<sup>®</sup>**

**TOUGH TOOLS, HALF PRICE**

**Technical Support and E-Warranty Certificate**

**[www.vevor.com/support](http://www.vevor.com/support)**