

INSTRUCTION BOOK AND PARTS LIST

CUTTING MACHINE

Operation, Lubrication and Care

Before operating machine, read this page carefully.
 Before operating the motor, be sure that electric supply voltage and current are the same as stamped on the nameplate.
 Fill oil cup. Push in turning knob and turn the machine over a few revolutions by hand to see if the knife moves easily.

WARNING

This machine is equipped with a sharp knife. Keep hands away from the Knife area at all times. Use control levers and handles only when operating or handling machine

This machine is not appropriate for people (or children) with reduced physical, sensory or mental capacity; or lack of experience or knowledge. Unless they are instructed or supervised.

Children must be supervised so they don't play with the machine.

CARE OF MACHINE

Use air hose or bellows with proper eye shields and blow lint out of motor and sharpener twice a week. Remove cover cam and clean out lint around screw mechanism in sharpener once a week. Remove knife and clean slides with slot cleaner at least once a day. To prevent undue accumulation of lint, do not oil plate rollers, if rollers sticker, remove from plate and wash in cleaning solvent.

WARNING

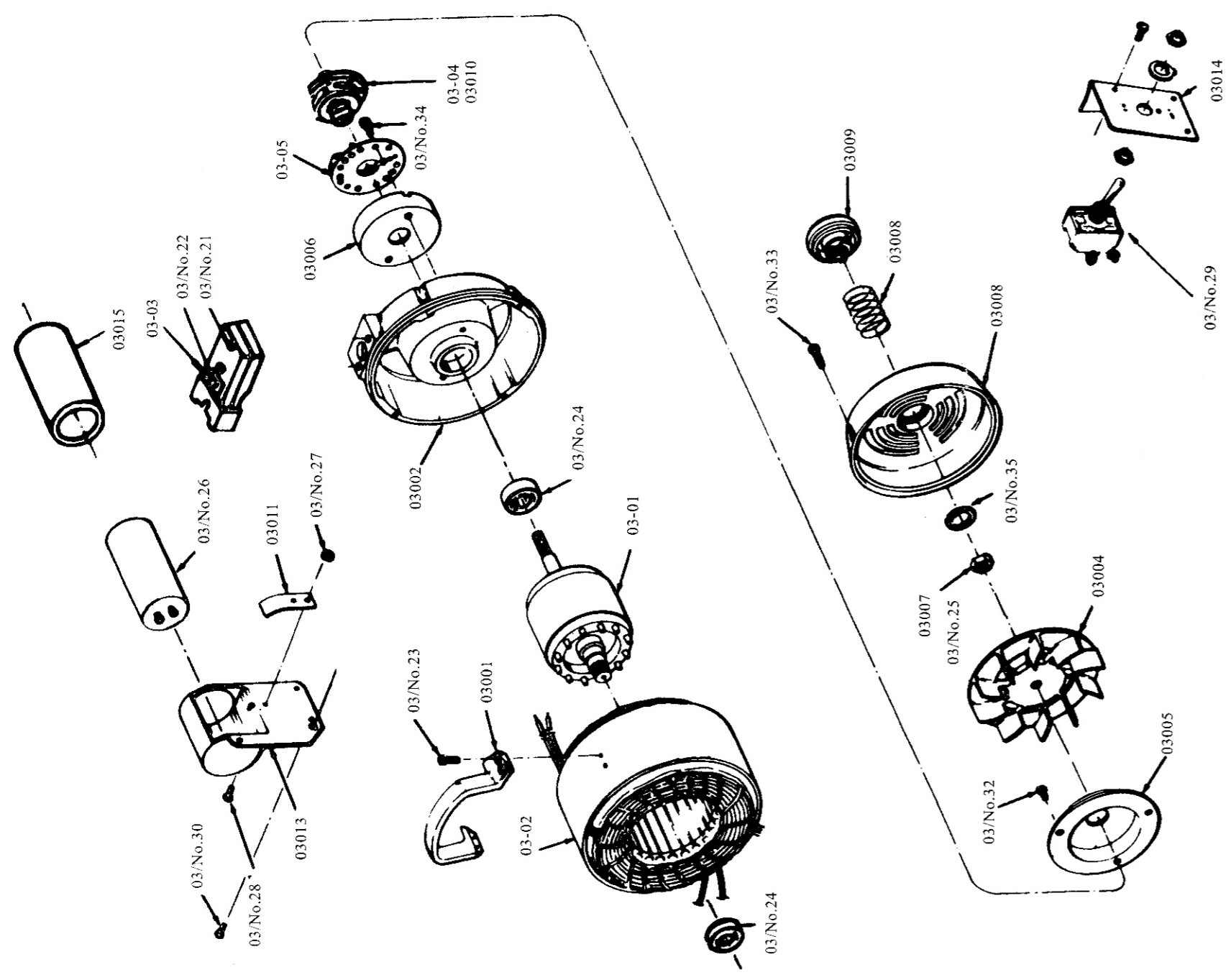
Do not operate sharpener without knife in machine or the sharpener will be damaged

TO SHARPEN THE KNIFE

Take the machine out of the lay. Drop pressure foot by means of pressure foot lever located next to machine operating handle. Press release lever downward with a slow, firm pressure to engage sharpening mechanism. Too fast lever action may cause lever to lock. If this happen, lift latch lever and start over. After a few tries you will feel correct operating pressure.

2

CUTTING MACHINE



-11-

CUTTING MACHINE

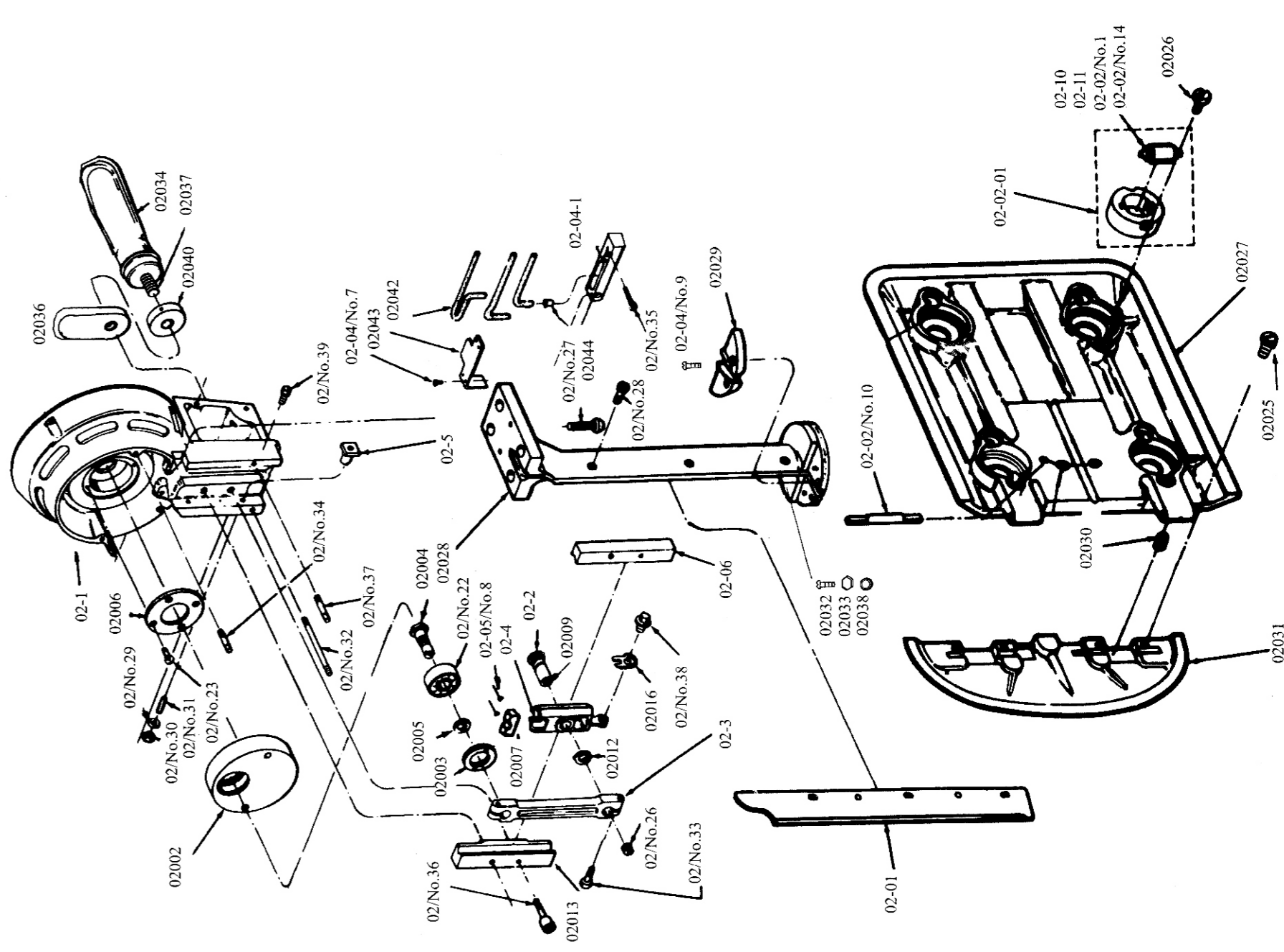
01

Assembly Illustrated Parts List

Part No.	Description	No. Req'd	Note	Part No.	Description	No. Req'd	Note
01-01-01	Thrust Ball Bearing	3	71c3-15	01010	Pressure Foot Shoe	1	68c1-192
01-01-04	Release Lever with Cam	1	621c1-7	01012	Spring Washer	1	
01-02-01	Slide with pulley	2	712c1-1	01016A	Thrust Washer for Nuts	1	12c15-74
01-02-02	Stabilizer	2	728c1-5	01016	Thrust Washer for Nuts	3	12c15-74
01-02-03	R.H. pre-set Sharpener Shoe	1	742c1-28	01017	R.H. Nut screw Shaft	1	4c2-112
01-02-04	L.H. pre-set Sharpener Shoe	1	743c1-29	01018	L.H. Nut screw Shaft	1	4c2-113
01-1	Pressure Foot Lever Screw	1	204c1-17	01019	Thrust Washer-Upper Nut	2	12c15-91
01-2	Knife Guard Rod	1	605c1-35,	01045	Spring for Latch	1	34c10-107
			36,37	01047	Spring Washer for Release Lever	1	12c15-57
01-01-1	Nut for Screw Shaft	1	73c7	01050	Latch for Cam	1	97c3-35
01-01-8	Screw for Release Lever	1	20c12-156	01053	Cam Spring	1	34c1-20
01-01-9	Screw for Latch	1	20c12-113	01090	Neoprene Band for Pulley	2	209c1
01-01-11	Cam Shaft Spring Screw	1	20c12-13	01097	Spring for Pulley Slide	2	34c10-45
01-01-13	Bearing for Cam Shaft	1	90c4-47	01101	Clamping Arm for Shoe	1	35c7-28
01-01-14	Bearing for Cam Shaft	1	90c4-47	01102	Spring for Arm	1	34c10-123
01-01-15	Shaft for Cam	1	11c12-54	01104	L.H. sharpener shoe spring	1	34c10-148
01-02-1	R.H. Shaft Extension	1	147c1-28	01106	Bearing for Screw Shaft	1	91c4-51
01-02-2	L.H. Shaft Extension	1	157c1-29	01111	R.H. Sharpener Shoe Spring	1	34c10-149
01-02-3	Intermediate Gear	1	87c5-13	01112	Washer	4	12c15-94
01-02-4	Lower Gear Bracket with Cover	1	715c1-19	01114	Wear Plate	2	79c12-218
01-02-6	Screw Shaft	1	11c12-95	01129	Lock for Pressure Foot	1	17c1-16
			96	01130	Knife Guard Lock Bracket Only	1	553c1-8
01-02-7	Screw for Sharpener Shoe	2	20c12-152	01131	Spring for Knife Guard Lock	1	34c8-12
01-02-8	Gear on Screw Shaft#24	1	87c3-50	01No. 16	Screw for Pressure Foot Shoe	2	20c12-117
01-02-9	Screw for Clamping Arm	1	20c12-143	01No. 17	Screw	1	302c10-8
01-02-10	Gear Cover	1	55c4-78	01No. 18	Screw	1	302c10-4
01-02-11	Adjusting Screw	1	20c6-25	01No. 189	Screw	4	300c10-4
01-02-12	Front Pulley for Belt	1	152c1-19	01No. 20	Screw	2	300c10-1
01-02-13	Collar for Extension	1	5c5-16	01-01/No. 4	Stop Nut For Screw Shaft	1	4c1-149
01-02-14	Bearing for intermediate Gear	1	90c4-47	01-01/No. 46	Stop Nut For Screw Shaft	1	9300c15-7
01-02-15	Bearing for Shaft Extension	2	90c4-59	01-01/No. 30	Roll Pin	3	17c15-106
01-02-16	Bushing for Sharpener Shoe	2	21c13-17	01-02/No. 31	Screw	2	301c7-2
01-03-1	Knife Guard Lock Bracket Complete	1	553c1-8	01-02/No. 32	Nut for Sharpener Shoe Screw	3	300c10-6
01-03-2	Screw for Knife Guard Lock	1	20c12-137	01-02/No. 33			
01001	Cap of Tube	1	86c7-34				
01003	Lift Handle for Knife Guard Rod	1	22c3-2				
01004	Spacer for knife Guard Lock Bracket	1	55c4-49				
01005	Cover Over Cam	1	55c11-72				
01007	Pressure Foot Lever	1	57c7-39				
01008	Spring for Pressure Foot Lever	1	34c100-100				
				01-03/No. 6	Nut for Pressure Foot Lock	1	4c1-161

-4-

CUTTING MACHINE



-9-

Another Cares of Machine

1. Sharpener does not drive
- ① Driver pulley (01-01-02-01) is oiled. Clean it please.
 - ② Spring (01025) damaged. Change a new one please.
 - ③ Driver pulley (01-01-02-01) damaged. Change a new one please.
2. Sharpener falls down easily
- Remove Screw (01-02/No.36) and Squeeze some grease into opening.
3. Machine dose not cut easily
- ① Belts (0005) damaged. change new Belts Please.
 - ② Belts can not sharpen Knife, adjust Screw (02-02-7) please.
 - ③ Knife damaged, change a new one please.
- ④ Bevel on both sides of Knife is not approximate, adjust Sharpener Shoes (01-02-03, -04) please.
4. Motor can not be running.
- ① Clear or repair Motor Please.
 - ② Knife slide damaged, change a new one please.
 - ③ Electric supply voltage is not correct.
 - ④ Electric supply wire of machine is too long, don't be longer than 4m please.
 - ⑤ Use the oil following the machine or 30 weight non-detergent oil please
5. Connected Attachment Plug with ground please.

10"、8"、6" Different Size Parts List

Part No.	Description	Size		
		10"	8"	6"
01011	Knife Guard Rod	364	314	314
01026	Tube for Square Shaft	245	195	195
01043	Tube for Screw Shaft	244	194	194
01099	Square Shaft	297	247	247
01100	Screw Shaft	369	319	269
02-01	Knife Slide	269	219	169
02011	Knife	294	244	194
02028	Standard	274	224	174
02036	Handle Bracket	/	/	/
M6×10/GB67-76	Screw	/	/	/
M10×16/GB68-76	Screw	/	/	/

CUTTING MACHINE

03

Assembly Illustrated Parts List

Part No.	Description	No.Req'd	Note	Part No.	Description	No.Req'd	Note
03-01	Rotor with Shaft	1		03014	Switch Base	1	
03-02	State with Band	1		03015	Cover for Capacitor	1	
03-03	Terminal Block	1		03/NO.21	Screw	1	
03-04	Automatic Cutout Switch	1		03/NO.22	Screw	1	
03-05	Automatic Cutout	1		03/NO.23	Screw	4	
03001	Carrying Handle	1		03/NO.24	Rear Ball Bearing	2	
03002	Rear Bearing House	1		03/NO.25	Loading Spring Washer	1	
03003	Fan Cover	1		03/NO.26	Capacitor	1	
03004	Rotor Fan	1		03/NO.27	Shaft Lock Nut	1	
03005	Cover for Cutout	1		03/NO.28	Screw	1	
03006	Cutout Switch Mount	1		03/NO.29	Switch	1	
03007	Clutch Nut	1		03/NO.30	Switch	6	
03008	Clutch Spring	1		03/NO.32	Screw	2	
03009	Turning Knob	1		03/NO.33	Screw	2	
03010	Shaft Cover For Cutout	1		03/NO.34	Screw	2	
03011	Spring for Capacitor	1		03/NO.35	Screw	2	
03013	Capacitor Cover	1			Retaining Ring	1	

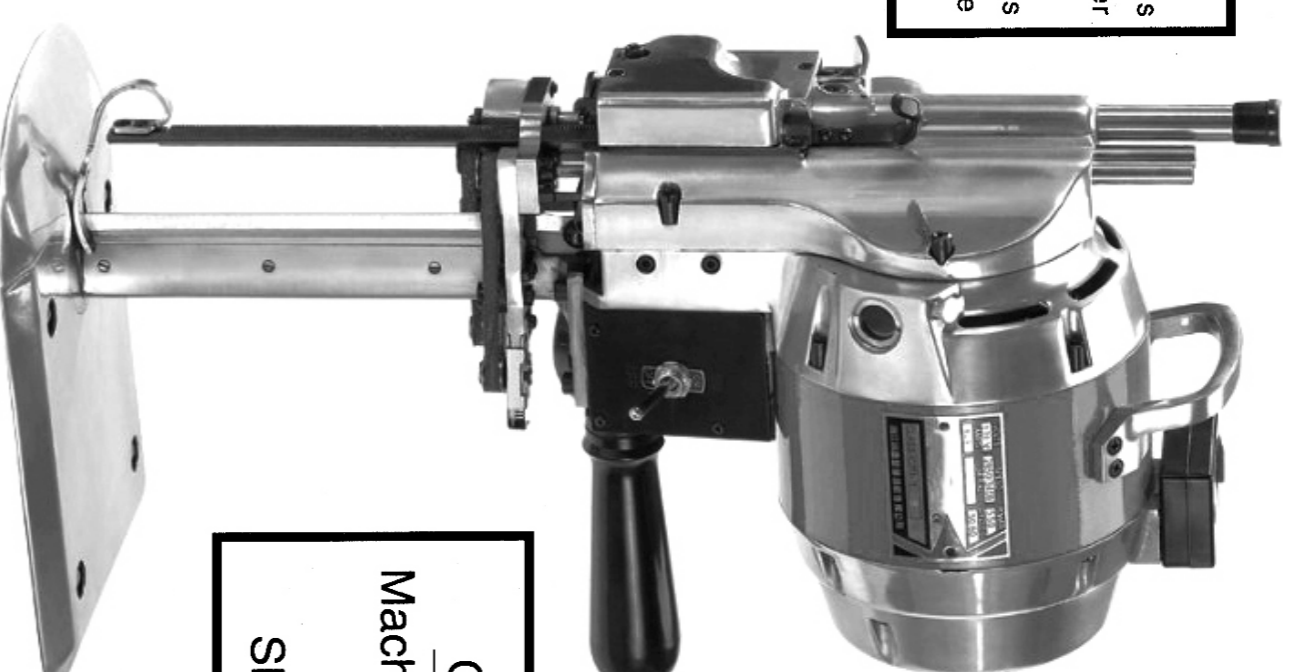
Maintenance Supplies

Part No.	Description	No.Req'd	Note
F01	Wrench	1	95c5-3
F02	Slot Cleaner	1	81c1-2
F03	Square Sleeve	1	529c1-8
F04	Attachment Plug	1	
02011	Knife	1	80c6,8,10
0005	Belt	10	

AUTO-SHARPENING CUTTING MACHINE

CE

IMPORTANT
This part book contains instruction and part number for the machine
When ordering parts please specify machine part no. and name.

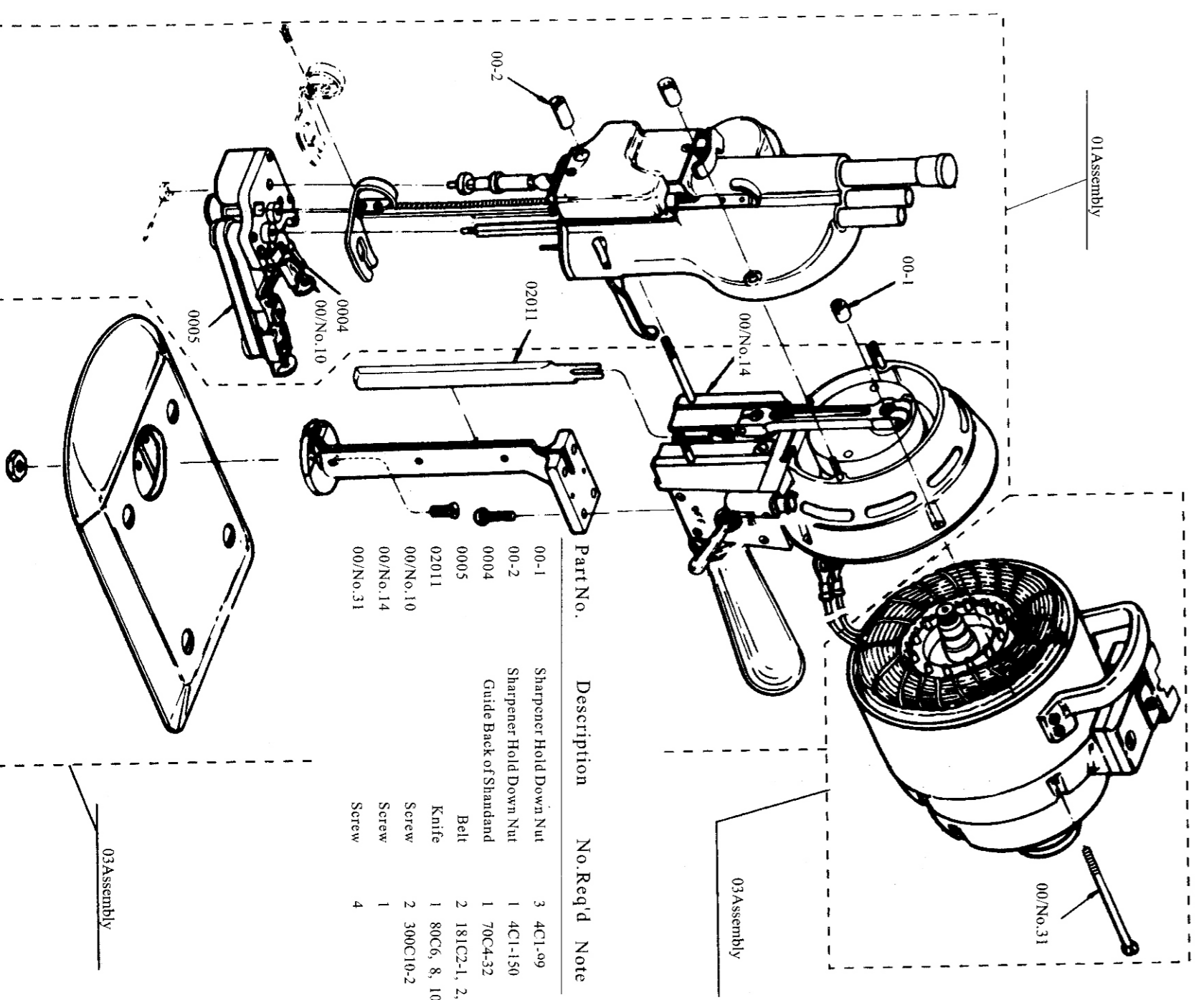


CAUTION
Machine Equipped With Sharp Blade

INSTRUCTION BOOK AND PARTS LIST

CUTTING MACHINE

Illustrated parts list

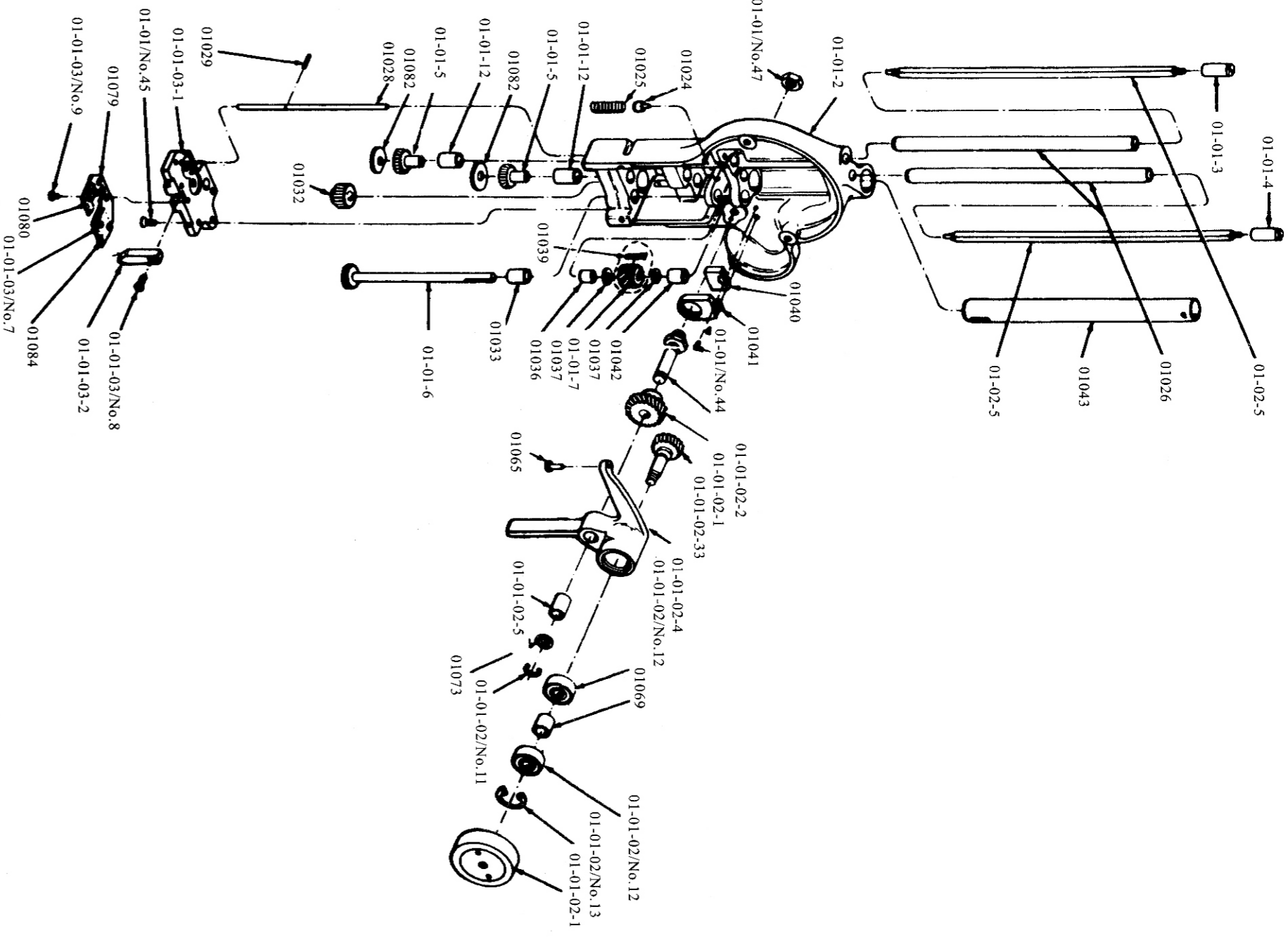


Assembly Illustrated Parts List

01

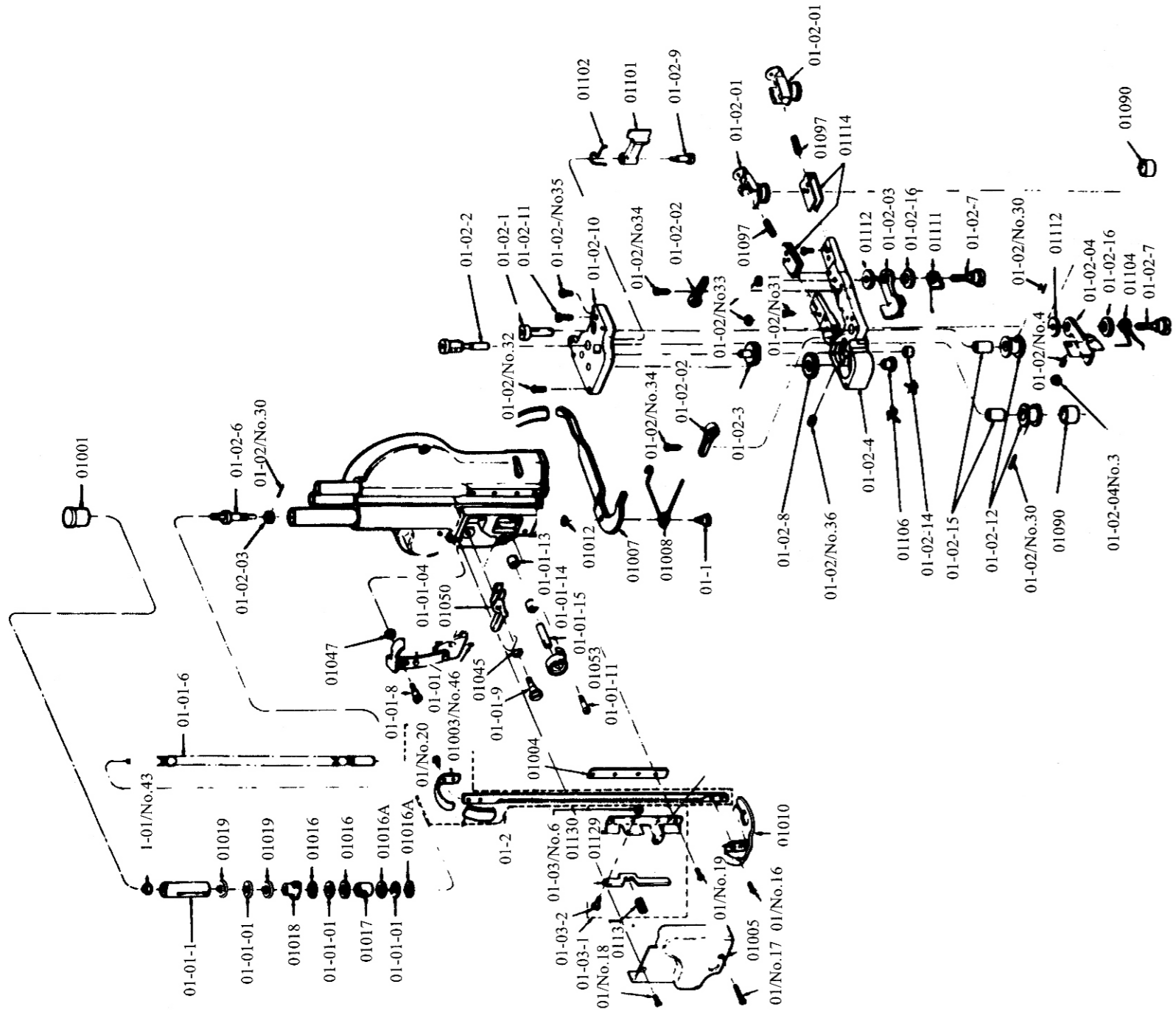
Part No.	Description	No. Req'd	Note	Part No.	Description	No. Req'd	Note
01-01-02-01	Driver Pulley with driver	1	602c1-9	01033	Bearing for Drive Shaft	1	90c4-29
01-01-2	Sharpener Housing	1	62b1-6	01039	Key	1	142c1-7
			151	01040	Felt Pad for Oil Retainer-Idler Gear	1	191c1-34
01-01-3	R.H. Follower Nut	1	4c2-83	01041	Oil Retainer-Idler Gear	1	71c1-10
01-01-4	L. H. Follower Nut	1	4c2-86	01042	Bearing for Drive Shaft	1	90c4-48
01-01-5	Spur Gear 20	2	87c3-44	01043	Tube for Screw shaft	1	73c7-48-49
01-01-6	Driver Shaft with Gear	1	716c1-12	01065	Pin for Ball Crank	1	17c15-78
01-01-7	Spiral Gear 15	1	87c3-8	01069	Spacer for Bell Bearings	1	55c4-41
01-01-12	Bearing for Gears 20	2	90c4-33	01073	Washer for Shaft	1	12c15-52
01-01-01-1	Idler Gear	1	87c4-40	01079	Oil Pad and Holder	1	72c1-6
01-01-01-2	Shaft for Crank	1	11c12-64	01080	L.H. Oil Pad	1	12c15-30
01-01-01-3	Gear and Shaft	1	87c3-53	01082	Thrust Washer for Bottom Plate	1	
01-01-01-4	Ball Crank	1	85c3-6	01084	R.H. Oil Pad	1	
01-01-01-5	Bearing for Bell Crank	1	90c4-34	01084	Screw	2	30c7-1
01-01-03-1	Bottom Plate	1	79c2-163		Screw	3	30c2c10-3
01-01-03-2	Spreader Pin	1	17c15-		Lock Nut for Shaft	1	4c2-2
			113		Retaining Ring for Shaft	1	18c6-8
			56-57		Ball Bearing for Crank	2	90c6-24
01-02-5	Square Shaft	2	11c12-		Retaining Ring for Bell Crank	1	18c6-26
			47		Rivet	4	
01024	Pin for Sharpener Housing	1	17c15-82		Screw	1	30c2c10-6
01025	Spring for Bell Crank	1	34c10-89		Screw	2	30c2c10-1
01026	Tube for Square Shaft	2	73c7-46,				
			47				
01028	Push rod	1	65c6-75				
01029	Roll Pin for Push Rod	1	17c15-				
			103				
01032	Bearing for Screw Shaft	1	90c4-58				
01036	Bearing for Drive Shaft	1	90c4-42				
01037	Thrust Washer 15	2	12c15-29				

-6-



-7-

-5-



-8-

Assembly Illustrated Parts List

02

Part No.	Description	No. Req'd	Note	Part No.	Description	No. Req'd	Note
02-01	Knife Slide	1	643c1-1-41	02036	Handle Bracket	1	
02-1	Front Bearing Housing	1	43-,47	02037	Operating Handle Lock Nut	1	
02-2	Wrist Pin	1	90c2-139	02040	Oil Hole Cover	1	
02-3	Connecting Rod	1	17c4-6	02042	Long Wicking	3	
02-4	Cross Head	1	664c1	02043	Cover for Oil Tube	1	
02-5	Guide Adjustment Nut	3	579c2-17	02044	Eyebolt	1	
02-6	R. H. Guide	1	4c3-8	02No.22	Bearing	1	
02-04-1	Oil Tube	1	525c1	02No.23	Screw	4	
02002	Crank	1		02No.24	Needle Pin	2	
02003	Crank Ball Bearing, Look Nut	1		02No.25	Retaining Ring for Shaft	1	54c4-32
02004	Shaft for Ball Bearing	1		02No.26	Screw	1	
02005	Lock Nut for Shaft	1		02No.27	Screw	4	
02006	Front Ball Bearing Retainer	1		02No.28	Screw	3	
02007	Felt Pad for Cross Head	1		02No.29	Washer	9	
02009	Connecting Rod Washer	1	191c1-38	02No.30	Nut	3	4c2-91
01013	L. H. guide	1	12c15-53	02No.31	Screw	3	309c15-5
02-02-01	Knife Lock Washer	1	12c1-24	02No.32	Stub, upper	1	15c13-34
02-02-01	Rubber Mounted Roller	4	53c2-5	02No.33	Screw	2	20c5-17
02-11	Swivel Roller Assembly	4	619c1-31	02No.34	Stub, Lower	1	15c13-23
02-02/02No.1	Swivel Roller Assembly	40	619c1-31	02No.36	Screw	2	302c8-2
02-02/02No.14	Swivel Roller Assembly	8	619c1-31	02No.37	Stub, Lower	1	15c13-39
02026	Clamp Screw for Roller	12	619c1-31	02No.38	Screw	2	24c1-3
02027	Plate	1	2494404	02-02-02/02No.10	Hinge Pin	2	20c13-14
02028	Standard	1		02-02-02/02No.7	Screw	4	300c3-2
02029	Throat Plates	2		02-02-02/02No.9	Screw	2	
02030	Plate Wing Spring	1					
02031	Plate Wing	1	2494414				
02034	Operating Handle	1					
02032	Pillar Set Screw	1					
02033	Nut	1					
02038	Washer	1					