

VEVOR[®]

TOUGH TOOLS, HALF PRICE

Technical Support and E-Warranty Certificate www.vevor.com/support

LEAF TRIMMER

MODEL:TM16-S-W

We continue to be committed to provide you tools with competitive price.

"Save Half", "Half Price" or any other similar expressions used by us only represents an estimate of savings you might benefit from buying certain tools with us compared to the major top brands and does not necessarily mean to cover all categories of tools offered by us. You are kindly reminded to verify carefully when you are placing an order with us if you are actually saving half in comparison with the top major brands.

VEVOR[®]

TOUGH TOOLS, HALF PRICE

LEAF TRIMMER

MODEL:TM16-S-W



NEED HELP? CONTACT US!

Have product questions? Need technical support? Please feel free to contact us:

Technical Support and E-Warranty Certificate
www.vevor.com/support

This is the original instruction, please read all manual instructions carefully before operating. VEVOR reserves a clear interpretation of our user manual. The appearance of the product shall be subject to the product you received. Please forgive us that we won't inform you again if there are any technology or software updates on our product.



Warning-To reduce the risk of injury, the user must read the instructions manual carefully.

IMPORTANT SAFETY INSTRUCTIONS

WARNING:

Read all safety warnings, instructions, illustrations and specifications provided with this product. Failure to follow all instructions listed below may result in product damage or serious injury.

Basic Safety Information:

1. This product is for trimming leaves only.
2. The blade is very sharp, beware of injury when using the trimmer to work or replace the blade.
3. Put on the sheath for the blade if you are ready not to use the trimmer for a long time.
4. Make sure the lid is on before use.
5. Be gentle with the trimmer when using it. Violent use can result in accidental injury and damage to the trimmer.
6. Never place your fingers, gloves or any other body part in contact with the grill or the blade.
7. Do not use scissors, knives or any instrument above the grill.
8. This product is not a toy. Do not allow children to play with or near this item.

Please Note:

The manufacturer does not accept any responsibility for damages caused to or by the trimmers resulting from inadequate use or assembly. Please use the trimmers in accordance with existing laws and regulations.

SAVE THESE INSTRUCTIONS

Basic parameters

Package size (mm)	430×420×290
Size (inch)	16
N.W (kg)	6.4
G.W (kg)	7.3
Operating mode	manual
Blade	420 Stainless steel/straight edge
Container	304 Stainless steel
Transmission ratio	1:24
Service life	1-year warranty

OPERATION

1. Machine assembly

This trimming machine is assembled and only needs to be put into the handle for use.



2. User instructions



- a. For trimming, separate the fresh or dry flowers from the branches, and put them into the upper container of the trimmer (Do not overload).
- b. For dry trimming, insert the dry trim grate(provided)on top of the center grate (wet trim grate) and lower the cutting blade; for wet trim, simply remove the dry trimming grate.
- c. Turn the handle clockwise for 15 to 20 times and counterclockwise for 15 to 20 times or until the desired cut is obtained. Always start up slowly and adjust your desired spinning speed.
- d. Lift up the plexiglass lid and reaches into the upper container to remove trimmed plants or flowers, or you can remove the top bridge by unlatching

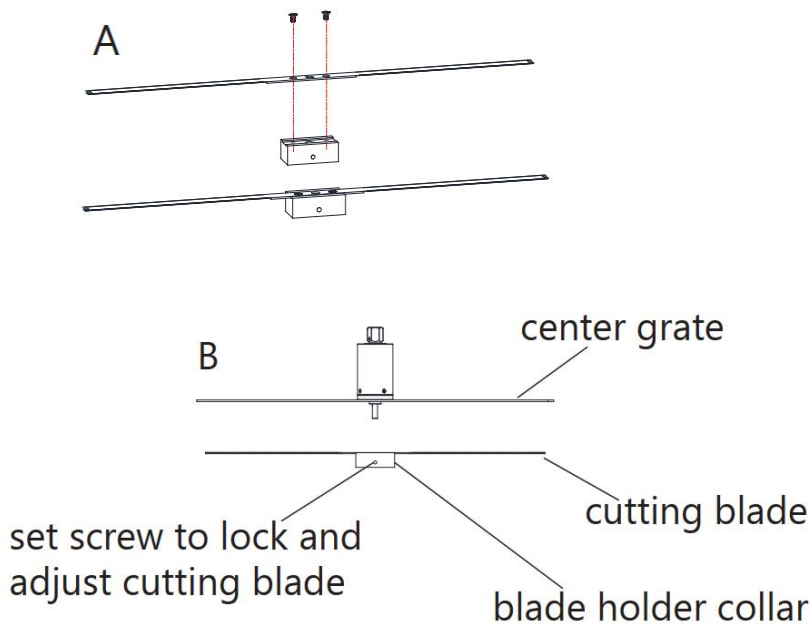
the latches for easier removal of trimmed plants or flowers. The cutting blade is built adjustable for optimistic trim.

e. We highly recommend cleaning the trimming machine thoroughly after each use.

f. Sharpen the blade when necessary.

3. How to install and adjust the cutting blade.

Caution: the blade is extremely sharp



A: To install the cutting blade, first place the blade on the blade collar (Note: the beveled side faces down against the holder collar) and tighten the two set screws see diagram A.

B: To install the cutting blade into the gearbox shaft, first insert the cutting blade (Note: Do not set the cutting blade to touch the center grate while it could cause stiffness spinning). To adjust the cutting blade, use the proper Allen key size provided to loosen the set screw on the blade holder collar to adjust the desired gap between the center grate and cutting blade for

precision trim.

Sanven Technology Ltd.

Address: Suite 250, 9166 Anaheim Place, Rancho Cucamonga, CA 91730

VEVOR[®]
TOUGH TOOLS, HALF PRICE

Technical Support and E-Warranty Certificate
www.vevor.com/support