

VEVOR[®]

TOUGH TOOLS, HALF PRICE

Technical Support and E-Warranty Certificate www.vevor.com/support

LEAF TRIMMER

MODEL:TM18-S-D(19")

We continue to be committed to provide you tools with competitive price.

"Save Half", "Half Price" or any other similar expressions used by us only represents an estimate of savings you might benefit from buying certain tools with us compared to the major top brands and does not necessarily mean to cover all categories of tools offered by us. You are kindly reminded to verify carefully when you are placing an order with us if you are actually saving half in comparison with the top major brands.

VEVOR®

TOUGH TOOLS, HALF PRICE

LEAF TRIMMER

MODEL:TM18-S-D(19")








NEED HELP? CONTACT US!

Have product questions? Need technical support? Please feel free to contact us:

Technical Support and E-Warranty Certificate
www.vevor.com/support

This is the original instruction, please read all manual instructions carefully before operating. VEVOR reserves a clear interpretation of our user manual. The appearance of the product shall be subject to the product you received. Please forgive us that we won't inform you again if there are any technology or software updates on our product.

	<p>Warning-To reduce the risk of injury, the user must read the instructions manual carefully.</p>
	<p>This symbol, placed before a safety comment, indicates a kind of precaution, warning, or danger. Ignoring this warning may lead to an accident. To reduce the risk of injury, fire, or electrocution, please always follow the recommendation shown below.</p>
	<p>Alternating current</p>
	<p>Warning- Be sure to wear eye protectors when using this product.</p>
	<p>Warning- Be sure to wear gloves when using this product.</p>

IMPORTANT SAFETY INSTRUCTIONS



WARNING:

Read all safety warnings, instructions, illustrations and specifications provided with this product. Failure to follow all instructions listed below may result in product damage or serious injury.

Basic Safety Information:

1. Never place your fingers, gloves or any other body part in contact with the grate or the blade.
2. Never apply pressure on the grate.
3. Please pay attention to the cutting surface during operation to ensure the safety of workers. Do not use scissors, knives or any instrument above

the grate.

4. Safety glasses and gloves are required at all times.
5. The gloves have to be tight enough so they don't get inside the grate slots. A loose glove is dangerous.
6. There is no abnormal phenomenon after the power is switched on.
7. It must be placed on the horizontal plane in order to avoid danger due to shaking back and forth during use.
8. Please unplug the power of the leaf trimmer before cleaning, assembling or disassembling.
9. Do not place the product within the reach of children. Children should be supervised to ensure that they do not play with the leaf trimmer.
10. This appliance can be used by children aged from 8 years and above and persons with reduced physical, sensory or mental capabilities or lack of experience and knowledge if they have been given supervision or instruction concerning the use of the appliance in a safe way and understand the hazards involved. Children shall not play with the appliance. Children shall not make cleaning and user maintenance without supervision.
11. Don't unplug the leaf trimmer before it stops operation.
12. If the supply cord is damaged, it must be replaced by the manufacturer, its service agent or similarly qualified persons in order to avoid a hazard.
13. Electric Shock Danger! Non-professional personnel is forbidden to repair the products. Otherwise, it may result in electrical shock. When failures happen, it should be repaired by qualified maintenance personnel.
14. WARNING! It is strictly prohibited to put the main body into the water to clean. Only can be scrubbed with a wet towel. The leaf trimmer must be fully cool before cleaning.
15. Please check that the specified supply voltage in the product is consistent with the supply voltage(AC only).
16. Avoid power cord damage. Do not squeeze, bend or friction it. Keep it away from heat sources and open fires. The power cord should not touch the blade.

17. Power cord should be laid flat. Do not pull the power cord and make the product fall down, which may cause damage.
18. Do not use the product on wet ground. Do not touch the product or power cord plug with wet hands.
19. Do not disassemble the product at will. Do not let something enter or insert into the product, which may cause damage.
20. Only accessories provided by the seller or manufacturer can be used for the product. We will not be responsible for any failure caused by the use of accessories from other manufacturers, which are not covered by warranty.
21. Do not use the product on uneven, damp, not heat-resistant surfaces to avoid damage or failure.
22. Do not place the product directly on the fire or near the source of the fire. Otherwise, the product will be damaged or even result in danger.
23. When the plug is plugged into the socket, it must be plugged into the end. Otherwise, it will cause the components to overheat and burn due to poor contact.
24. Do not leave the product to work with no one watching. If the machine is overheating, please stop working immediately and unplug the power.

Please Note:

The manufacturer does not accept any responsibility for damages caused to or by the trimmers resulting from inadequate use or assembly. Please use the trimmers in accordance with existing laws and regulations.

SAVE THESE INSTRUCTIONS

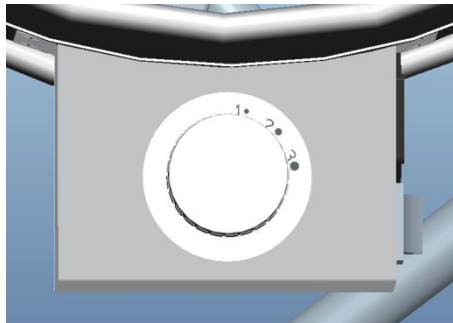
Basic parameters

Package size (mm)	575×540×475
Size (inch)	19
N.W (kg)	11.6
G.W (kg)	13.8
Operating mode	Electric
Main Material	304 Stainless steel and 201 Stainless steel
Container	Nylon mesh bag
Motor	BLDC 60W
Motor rotate speed(rpm)	1080
Voltage	AC 120V~
Frequency	60Hz
Cutter speed	3-speed control
Transmission ratio	1:24
Service life	1-year warranty

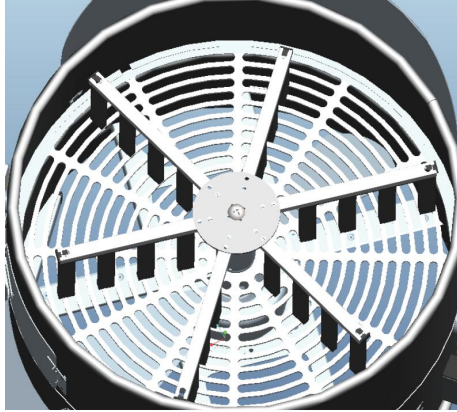
OPERATION

1. Selecting the speed:

- Speed 1: 760r/min
- Speed 2: 920r/min
- Speed 3: 1080r/min



2. Placing the untrimmed plants on the blade grate.



- a. Place plants on top of the blade grate
- b. Move back-and-forth and rotate it at the same time.
- c. The fan will roll the plants into the gearbox, and the blades cut the plants.

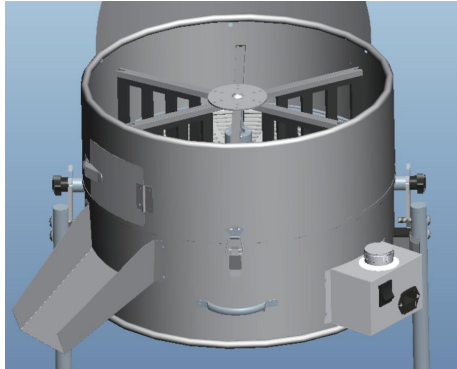
Notice: Make sure to wear gloves when operating this step

3. Getting the large buds/fruit

Remove the stainless steel bezel, and buds/ fruit will be swept into the pipeline.

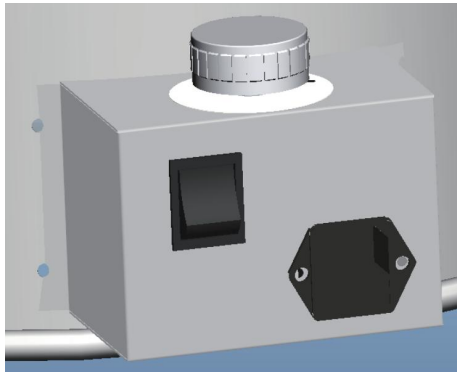


4. Overturning the trimmer: Overturn the trimmer to get the buds/ fruit is also available.



5. Switch on:

Connect the power supply and turn on the leaf trimmer with the green button.



6. Switch Off:

Switch off the trimmer by pressing another side of the green button. And then cut off the electricity.

Sanven Technology Ltd.

Address: Suite 250, 9166 Anaheim Place, Rancho Cucamonga, CA 91730

VEVOR[®]
TOUGH TOOLS, HALF PRICE

Technical Support and E-Warranty Certificate
www.vevor.com/support