

VEVOR[®]

TOUGH TOOLS, HALF PRICE

Technical Support and E-Warranty Certificate www.vevor.com/support

ELECTRIC DRAIN CLEANER

We continue to be committed to provide you tools with competitive price.

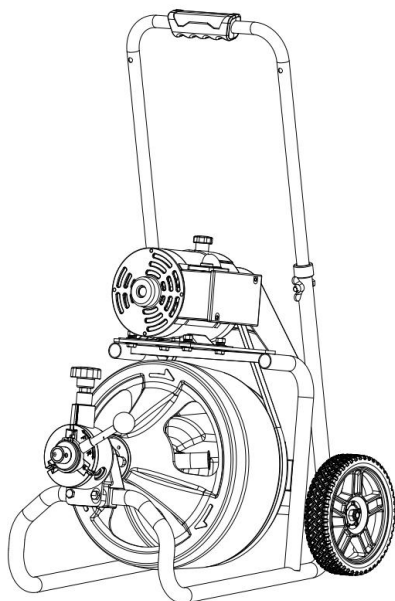
"Save Half", "Half Price" or any other similar expressions used by us only represents an estimate of savings you might benefit from buying certain tools with us compared to the major top brands and does not necessarily mean to cover all categories of tools offered by us. You are kindly reminded to verify carefully when you are placing an order with us if you are actually saving half in comparison with the top major brand

VEVOR[®]

TOUGH TOOLS, HALF PRICE

Electric Drain Cleaner

Model: RC-9001H



NEED HELP? CONTACT US!

Have product questions? Need technical support? Please feel free to contact us:

Technical Support and E-Warranty Certificate
www.vevor.com/support

This is the original instruction, please read all manual instructions carefully before operating. VEVOR reserves a clear interpretation of our user manual. The appearance of the product shall be subject to the product you received. Please forgive us that we won't inform you again if there are any technology or software updates on our product.



Warning-To reduce the risk of injury, user must read instructions manual carefully.



CORRECT DISPOSAL



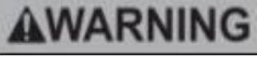


This product is subject to the European Directive 2012/19/EC provision. The symbol showing a wheellie bin crossed through indicates that the product requires separate refuse collection in the European Union. This applies to the product and all accessories marked with this symbol. Products marked as such may not be discarded with normal domestic waste, but must be taken to a collection point for recycling electrical and electronic devices

Thank you for buying our products. After opening the product packaging, check whether the product is in good condition, whether the accessories are complete, and whether the power can be normally powered on after the boot.

Save This Manual

Keep this manual for the safety warnings and precautions, assembly, operating, inspection, maintenance and cleaning procedures. Write the product's serial number in the back of the manual near the assembly diagram (or month and year of purchase if product has no number). Keep this manual and the receipt in a safe and dry place for future reference.

WARNING SYMBOLS AND DEFINITIONS

	This is the safety alert symbol. It is used to alert you to potential personal injury hazards. Obey all safety messages that follow this symbol to avoid possible injury or death.
	Indicates a hazardous situation which, if not avoided, will result in death or serious injury.
	Indicates a hazardous situation which, if not avoided, could result in death or serious injury.
	Indicates a hazardous situation which, if not avoided, could result in minor or moderate injury.
	Addresses practices not related to personal injury.

Safety instructions

Warning!

Please carefully read all safety precautions and safety instructions. If these safety guidelines are not followed, it may lead to

Causing electric shock, fire, or serious personal injury.

Please keep these safety precautions and safety instructions properly.

Workplace safety precautions

1. Keep the workplace clean, tidy, and well lit. Chaotic and dim environments can easily lead to safety accidents. To prevent the occurrence of fires.
2. Do not operate electric tools in hazardous environments such as flammable and explosive liquids, gases, or dust. Electric tools may generate sparks, which can ignite these dust or gases.
3. When operating the machine, keep unrelated personnel (including children, bystanders, non workers, etc.) away from the work site. Unrelated interference can affect your correct use of tools.

Electricity safety

- Tools with grounding protection should be inserted into sockets that comply with grounding regulations. Do not change the plug at any time and do not use any other adapter. If you suspect that the socket does not have grounding protection, then you should ask a qualified electrician to inspect it. If an electrical fault occurs, grounding protection will provide a smaller resistance, allowing the current to directly enter the ground without passing through the operator themselves.
- Avoid surface contact between the body and grounded objects, such as metal pipes, radiators, metal cabinets, and refrigeration equipment. If the body comes into contact with a grounded object, it increases the risk of electric shock.
- Do not expose electric tools to rain and humid environments, as this can increase the risk of electric shock.
- Do not damage the power cord of the wiring board. Do not use the power cord to drag or pull electric tools. Keep the power cord away from heat, oil, sharp edges, or moving objects. Damaged or entangled power lines in other objects can increase the risk of electric shock.
- Please use a suitable wiring board for outdoor work, such as a wiring board marked with the symbol "W-A" or "W". This can reduce the occurrence of electric shocks.

Personal safety precautions

1. When using electric tools, keep a clear mind and pay attention to the work at hand. Do not use electric tools when fatigued or under the influence of drugs, alcohol, or drugs. If not careful during use, it can lead to serious injury accidents.
2. Dress correctly. Do not wear loose clothing or jewelry. Keep your clothes, hair, and gloves away from moving parts. Loose clothing, jewelry, and long hair are easily entangled in moving parts.
3. Do not turn on the device unconsciously, make sure the switch is turned off before inserting it into the socket. When you carry electric tools and accidentally touch the switch with your fingers to turn it on, it can lead to safety accidents.
4. Any adjustment tools, such as wrenches, must be cleaned before the machine starts. It is very dangerous for these tools to get caught in the moving parts of the machine, which can easily cause personal injury accidents.
5. Maintain body balance and do not lose balance while operating the machine. This will enable you to better control tools in unexpected situations.

6. Use personal protective equipment correctly and always wear safety glasses. Personal protective equipment includes dust masks, anti slip safety shoes, hard cushions or thermal protective devices. Proper use of these protective equipment will reduce the occurrence of personal injury accidents.

Use and maintenance of tools

1. Do not overuse tools and complete the corresponding work according to their purpose. Reasonable selection of tools to complete work according to their designed purpose will result in twice the result with half the effort and is safe.
2. If the switch of the machine cannot function properly, stop using the machine. Any device whose switch cannot function is very dangerous and must be repaired immediately.
3. Before adjusting, replacing accessories, or storing tools, the power must be disconnected first. These measures can prevent the risk of accidentally operating tools.
4. When storing electric tools, be careful not to let unrelated personnel, especially children, have access to them. Because electric tools are very dangerous for trained personnel.
5. Carefully maintain the tools to ensure that the cutting edge of the dredging head is sharp. Proper maintenance and maintaining sharp edges can reduce cable knots and make it easy to control the cables.
6. Regularly inspect the tool to see if the position of the moving parts is incorrect, if there is any damage to the parts, or if there is any other damage that may affect the normal use of the tool. If there is, please make sure to repair it before use. Many accidents occur due to improper maintenance of tools.
7. Please only use recommended attachments. Accessories suitable for one tool may be dangerous for another tool.

service

- Machine maintenance services must be provided by personnel who have passed the manufacturer's assessment, otherwise it may lead to injury accidents.
- Please strictly follow the instructions in the operating manual to use the machine and replace it according to the accessories specified by the manufacturer. Otherwise, it may lead to electric shock or injury accidents.

- Before carrying out maintenance work, all power connections should be cut off to avoid electric shock accidents and accidental startup operations. Other safety precautions.

Warning!

This section contains important safety information for this tool.

Before using the dredging machine, please carefully read these safety information.

Otherwise, it may cause

The occurrence of electric shock, fire, or serious personal injury accidents. Please pay attention to saving these safety instructions!

Safe use of dredging machines.

Safe use of dredging machines

1. Please wear randomly provided leather gloves and do not use rags or cotton gloves to grip the unblocking steel cable, as there is a risk of being caught by the unblocking steel cable and causing injury.
2. Do not operate the machine when the belt protective cover is removed, as there is a risk of fingers being caught in the belt and pulley and being injured.
3. Do not prevent the dredging head from rotating while the machine is running. This can cause excessive stress on the steel cable, resulting in torque, knotting, and even breakage, leading to more serious injury accidents.
4. Use gloved hands to operate the wire rope, so that the hands can feel the movement of the wire rope, thereby preventing torque, knots, and even breakage of the wire rope, and avoiding the occurrence of injury accidents.
5. The machine is two feet away from the pipeline inlet. Too much distance can cause the steel cables to twist and knot.
6. The machine is designed to be operated by a single person, and the operator can control the foot switch and steel cable alone. Once the unblocking head stops rotating, the machine must be stopped to prevent the torque, knotting, and even breaking of the steel cable, and to avoid the occurrence of injury accidents.
7. Do not operate the machine in reverse unless specifically mentioned in the manual. Reversing can easily damage the steel cable and is usually used to push the unblocking head out of the blockage.

8. Do not touch the running drum and guide tube with your hands. Unless the plug is unplugged and the machine comes to a stop, hands can only reach into the drum. Otherwise, hands may be injured by rotating parts.
9. Do not wear loose clothing or jewelry necklaces, keep your hair and clothes away from moving parts. Loose clothing, jewelry necklaces, and hair can easily be caught up in moving parts and pose a danger.
10. When operating and using the dredging machine, please use appropriate personal safety protection equipment. Sewers usually contain many harmful substances that are harmful to human health. Appropriate personal safety equipment includes safety eyes, gloves, and any other safety equipment such as masks, rubber gloves, protective blankets, steel toe boots, etc.
11. Maintain personal hygiene, wash hands and other body parts with hot soapy water, and do not eat or drink during dredging work to avoid inhaling toxic substances.
12. Do not operate the machine in water or use it in water, as this will increase the risk of electric shock.
13. According to the requirements of the operating standards, clear the pipelines that match the machine's working capacity. Any other change in the use of the machine will increase the occurrence of various dangerous accidents.

List of accessories



Olive style rotary drill



Shovel type cutting drill



C-type cutting drill



Arrow cutting drill



C-2 cutting drill



Toothed cutting drill



Olive style -2 rotary drill



Hook drill

Olive style rotary drill	The most commonly used cleaning head is suitable for pipes and drainage pipes with tight or multiple bends. Piercing or drilling through obstacles caused by textiles, paper, fiber materials, kitchen oil stains, etc
Shovel type cutting drill	Suitable for removing oil stains and residues on pipe walls
C-type cutting drill	Used for cutting and removing hard obstacles or removing sludge deposits
Arrow cutting drill	Used to clean blockages such as tree roots, branches, debris, or oil in pipelines
C-2 cutting drill	Used for cutting and removing hard obstacles or removing sludge deposits
Toothed cutting drill	Used to clean blockages such as tree roots, branches, debris, or oil in pipelines
Olive style -2 rotary drill	The most commonly used cleaning head is suitable for pipes and drainage pipes with tight or multiple bends. Piercing or drilling through obstacles caused by textiles, paper, fiber materials, kitchen oil stains, etc
Hook drill	Piercing or drilling through obstacles caused by textiles, paper, fiber materials, etc

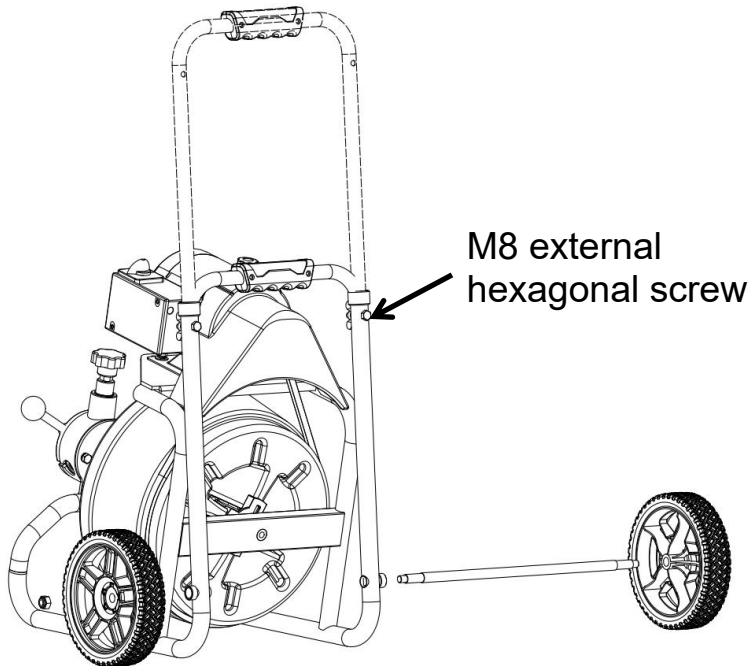
Scope of pipeline application

Clear the diameter of the spring	Olive style rotary drill	Shovel type cutting drill	C-type cutting drill	Arrow cutting drill	Maximum torque value of the unblocking spring
9.5MM	50-100 MM	50-100 MM	50-100MM	100-200 MM	8N/M
12.7MM	50-100MM	50-100MM	50-100MM	100-200MM	10N/M
	C-2 cutting drill	Toothed cutting drill	Olive style -2 rotary drill	Hook drill	
9.5MM	50-100 MM	50-100 MM	50-100 MM	50-100 MM	8N/M
12.7MM	50-100 MM	50-100 MM	50-100 MM	50-100 MM	10N/M

Product performance

	North America	Europe
Model	RC-9001H	
Voltage	120V~60Hz	220-240V~50/60Hz
Speed	1800RPM	1500RPM
Rope length	50/75/100FT	
Rope outer diameter	3/8in	
Output method	Automatic mode	

Diagram



Assembly steps

1. Install the axle into the axle hole of the frame, install 8-inch wheels on both sides, and tighten them with M8 locking nuts
2. Unscrew the M8 butterfly nut and M8 outer hexagon screw, pull up the handle tube, align the hole position, and reinstall the screw. Tighten the butterfly nut.

Operating instructions

Attention: Before using this device, the following protective equipment should be worn (the entire machine does not include the following accessories):

- Protective goggles.
- Gloves.
- Anti slip shoes.

1. Place the dredger 1 foot away from the pipe opening.
 2. Place the foot switch in place, ensuring that one hand always grasps the flexible shaft.
 3. Turn the power switch to position 1.
 4. Extract the flexible shaft from the machine and carefully place it in the pipeline.
 5. Firstly, lock the locking knob of the telescopic device, move the feed direction lever of the soft shaft towards the direction indicated by F, and press the foot switch to send the soft shaft into the pipeline. (Note: The direction indicated by F on the soft shaft automatic feeding device is for exiting the soft shaft, and the direction indicated by R is for retrieving the soft shaft)
 6. Slowly feed the soft shaft until it reaches the blockage or bend.
 7. After the flexible shaft reaches the bend, it may twist or roll up. Please take the following actions when this happens:
 - Pull the soft shaft back slightly to allow the front cleaning head to rotate.
 - Push the soft shaft forward with force again to allow the cleaning head to smoothly pass through the bend.
 8. When the soft shaft reaches the blockage, it may be twisted or coiled. After this situation occurs, please take the following actions:
 - Pull the soft shaft back slightly to allow the front cleaning head to rotate.
 - Move the flexible shaft forward and extend it to the blockage.
 - Repeat back and forth several times until the blockage is completely cleared.
- (If the cause of the blockage is unknown, you can first use an olive spiral drill to explore the blockage, and try to bring out a block as much as possible for inspection to determine the cause of the blockage. Choose a more suitable tool to clear the blockage. Please note that the maximum outer diameter of the tool used cannot be greater than the drainage pipe inner diameter minus the size of 25MM.)

Frequently asked questions

1. What if the cleaning head gets stuck by debris?

Remove the soft shaft cleaning head from the pipeline, remove the debris from the soft shaft, and then extend the soft shaft into the pipeline to continue working.

2. What if the soft shaft cannot be pulled back?

That is when the cleaning head is stuck, turn the power switch to the REV position to reverse the motor and release the cleaning head from the stuck

position, but do not let the motor stay in the REV position for too long (up to 5 seconds).

3. What should be done after unblocking?

Turn on the faucet or rinse the debris with a small pipe, paying attention to the water level to ensure that the blockage does not move to other positions in the pipeline.

4. If the soft shaft inside the drum is knotted, turn off the power, remove the drum and rear flange, clean the soft shaft, and then re roll it into the drum.

FCC Information

CAUTION: Changes or modifications not expressly approved by the party responsible for compliance could void the user's authority to operate the equipment!

This device complies with Part 15 of the FCC Rules. Operation is subject to the following two conditions:

- 1) This product may cause harmful interference.
- 2) This product must accept any interference received, including interference that may cause undesired operation.

WARNING: Changes or modifications to this product not expressly approved by the party responsible for compliance could void the user's authority to operate the product.

Note: This product has been tested and found to comply with the limits for a Class B digital device pursuant to Part 15 of the FCC Rules, These limits are designed to provide reasonable protection against harmful interference in a residential installation.

This product generates, uses and can radiate radio frequency energy, and if not installed and used in accordance with the instructions, may cause harmful interference to radio communications. However, there is no guarantee that interference will not occur in a particular installation. If this product does cause harmful interference to radio or television reception, which can be determined by turning the product off and on, the user is encouraged to try to correct the interference by one or more of the following measures.

- Reorient or relocate the receiving antenna.
- Increase the distance between the product and receiver.
- Connect the product to an outlet on a circuit different from that to which the receiver is connected.
- Consult the dealer or an experienced radio/TV technician for assistance.

Correct Disposal



This product is subject to the provision of European Directive 2012/19/EU. The symbol showing a wheellie bin crossed through indicates that the product requires separate refuse collection in the European Union. This applies to the product and all accessories marked with this symbol. Products marked as such may not be discarded with normal domestic waste, but must be taken to a collection point for recycling electrical and electronic devices.

Manufacturer: Shanghai muxinmuyeyouxiangongsi

Address: Shuangchenglu 803nong11hao1602A-1609shi, baoshanqu, shanghai 200000 CN.

Imported to AUS: SIHAO PTY LTD. 1 ROKEVA STREET EASTWOOD NSW 2122 Australia

Imported to USA: Sanven Technology Ltd. Suite 250, 9166 Anaheim Place, Rancho Cucamonga, CA 91730



E-CrossStu GmbH
Mainzer Landstr.69, 60329
Frankfurt am Main.



YH CONSULTING LIMITED.
C/O YH Consulting Limited Office 147,
Centurion House, London Road,
Staines-upon-Thames. Surrey. TW18 4AX

VEVOR[®]

TOUGH TOOLS, HALF PRICE

Technical Support and E-Warranty Certificate
www.vevor.com/support