

VEVOR[®]

TOUGH TOOLS, HALF PRICE

Technical Support and E-Warranty Certificate www.vevor.com/support

PIPES HYDROPONICS GROWING SYSTEM

USER MANUAL

We continue to be committed to provide you tools with competitive price.

"Save Half", "Half Price" or any other similar expressions used by us only represents an estimate of savings you might benefit from buying certain tools with us compared to the major top brands and does not necessarily mean to cover all categories of tools offered by us. You

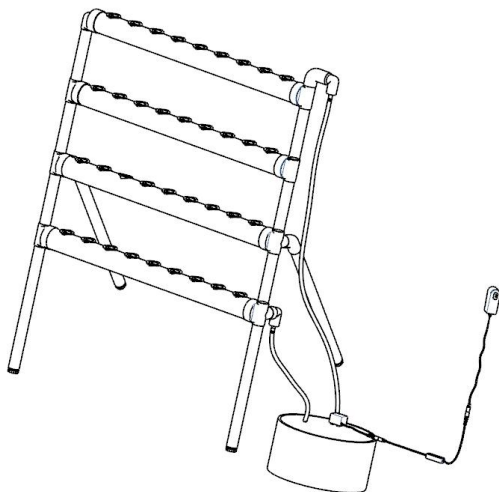
are kindly reminded to verify carefully when you are placing an order with us if you are actually saving half in comparison with the top major brands.

VEVOR[®]

TOUGH TOOLS, HALF PRICE

PIPES HYDROPONICS GROWING
SYSTEM

Model: VVGrey4-36



NEED HELP? CONTACT US!

Have product questions? Need technical support? Please feel free to contact us:

Technical Support and E-Warranty Certificate
www.vevor.com/support

This is the original instruction, please read all manual instructions carefully before operating. VEVOR reserves a clear interpretation of our user manual. The appearance of the product shall be subject to the product you received. Please forgive us that we won't inform you again if there are any technology or software updates on our product.

SPECIFICATIONS









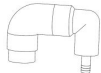
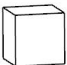







Model	VVGrey4-36
Product Size	870*560*990mm
Input Voltage	North America: 120V 60Hz
	European Union: 220~240V 50Hz
	Australia: 220~240V 50Hz

Before using the product, please read the instructions carefully and keep them properly.

Note:

Please ensure that children are always supervised by an adult when using this product. After adding water, make sure your hands are dry before plugging the adapter into a power source.

Parts list

A		Foot tube ×2 (400mm)	J		Water pump ×1
With water plug and footpad					
B		Foot tube ×2 (520mm)	K		hose 1.5m ×1
With water plug and footpad					
C		Water outlet composite tube ×1	L		hose 1.5m ×1
D		Connector composite tube ×1	M		Planting basket ×36
E		Inlet tap ×1	N		Planting sponge ×36
F		Outlet tap ×1	1		Tweezers ×1
G		Planting pipeline ×4	2		Aluminum tape ×1
				Used to seal unplanted pipelines to prevent UV rays and flying insects from entering	
H		Controller ×1	3		Rubber hammer ×1
I		Adapter ×1			

Installation

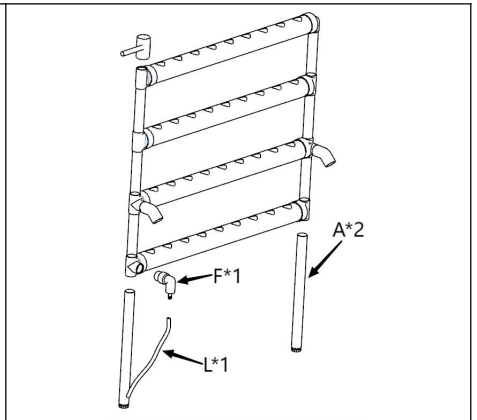
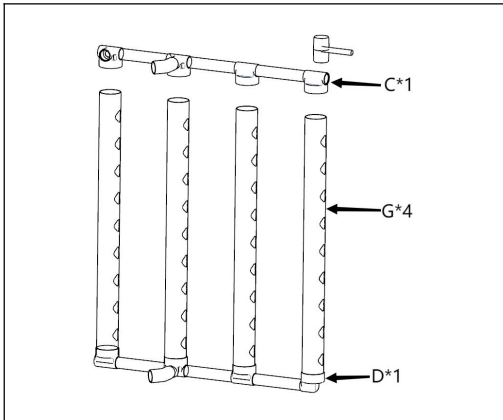
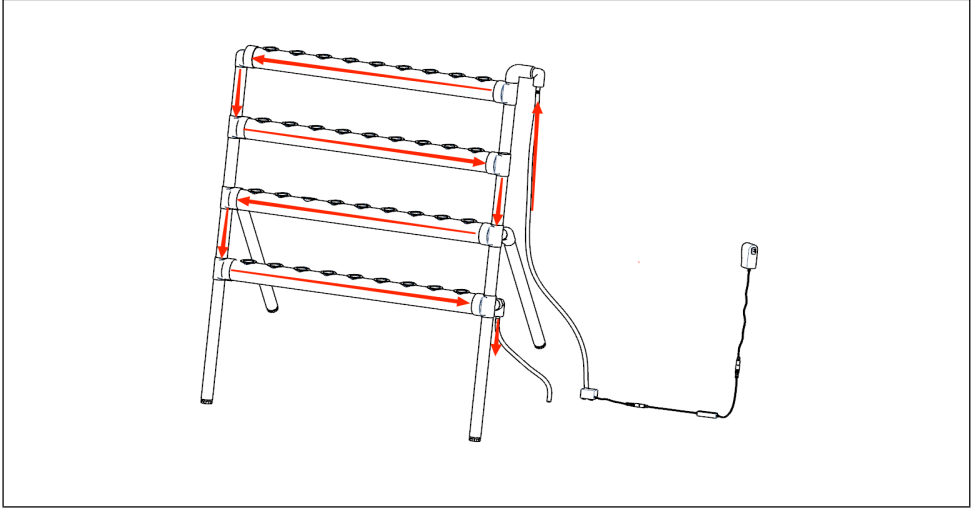


Figure 1: Connect a set of connector composite tubes, a set of water outlet composite tubes, and four planting pipelines together according to the diagram, with the planting pipelines facing upwards. Reinforce them with a rubber hammer (strike each connection with the rubber hammer until they fit tightly)

Figure 2: Connect two 400mm foot tubes, a 1m hose and an outlet tap with the assembly of Figure 1 according to the diagram. (Reinforce the two angles with a rubber hammer to adjust the level)

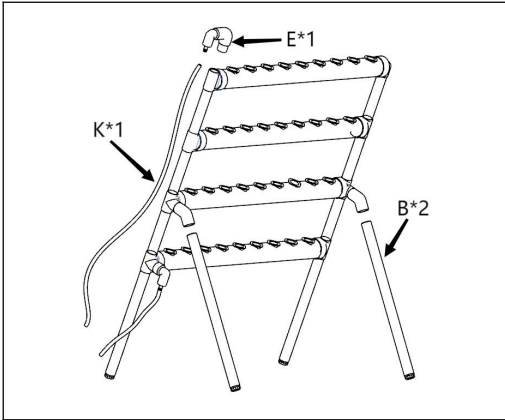


Figure 3: Connect two 520mm foot tubes, a 1.5m hose, and an inlet tap with the assembly of Figure 2 according to the diagram.

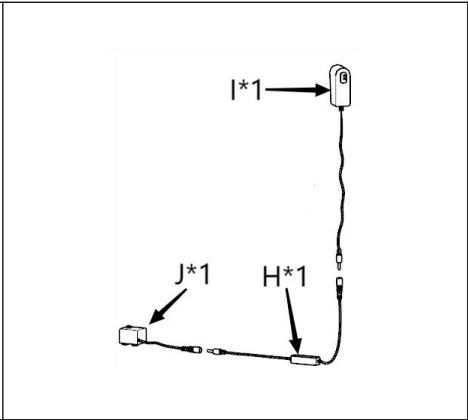


Figure 4: Connect an adapter, a controller, and a water pump together according to the diagram.

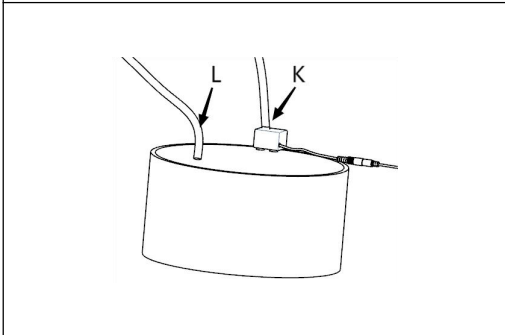


Figure 5: Firstly, prepare a water tank and fill it with water. (It is recommended to use a water tank that has capacity of more than 20L, which does not include 20L). Connect the other end of the 1.5m hose to the water pump, and attach the water pump to the bottom of the water tank. Also place the other end of the 1m hose into the water tank. The water level must submerge the water pump, otherwise it will damage the pump or stop working.

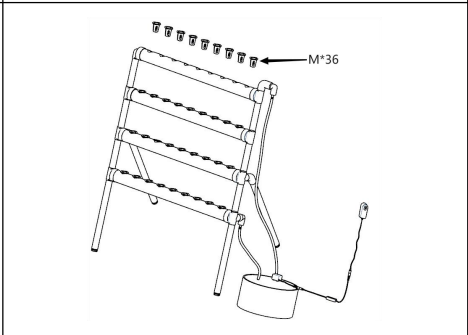


Figure 6: Put 36 planting baskets into the planting pipelines, and insert the adapter into the power supply. When the water pump works, it will form a water flow cycle. Finally, adjust the balance of the feet so that there is nutrient solution flowing through each pipe.

Vegetable planting method:

1. Put the sponge into the water, press it with your hands, and suck in enough water.
2. Place the seeds at the opening of the sponge, and pay attention not to place them too deep.
3. Pour water into a basin about 2 centimeters deep.
4. Put the sponge into the basin.
5. Wait for the seeds to sprout, then place them in the sunlight. (Note that direct sunlight instead of mere light is required)

Precautions for vegetable planting:

1. The roots of seedlings must be soaked in nutrient solution together with the sponge.
2. The vegetable needs to be planted in a sunny area. (Except for shade-enduring flowers and plants)

Planting:

1. The seedlings can be transplanted onto a shelf after they grow up. After being separated, they can be filled into the planting basket together with the sponge. Please be aware that the sponge should be filled at the bottom of the basket and be able to touch the nutrient solution.
2. Connect the pump to the power supply and start the pump. The water in the water tank will decrease. Turn off the pump within 10 minutes. When the water returns to the water tank, fill the tank with water to make it full. Attention: do not inject water into the water tank after the pump is started, otherwise when the pump stops running, the water will overflow when it returns to the water tank.
3. It is suggested that users should purchase their own water tank with a capacity of 20L or more.
4. Purchase seeds and nutrient solutions according to your own needs.

Manufacturer: Shanghaimuxinmuyeyouxiangongsi

Address: Shuangchenglu 803nong11hao1602A-1609shi, baoshanqu,
shanghai 200000 CN.

Imported to AUS: SIHAO PTY LTD, 1 ROKEVA STREETEASTWOOD
NSW 2122 Australia

Imported to USA: Sanven Technology Ltd., Suite 250, 9166 Anaheim
Place, Rancho Cucamonga, CA 91730



E-CrossStu GmbH.
Mainzer Landstr.69, 60329 Frankfurt am Main.



YH CONSULTING LIMITED.
C/O YH Consulting Limited Office 147, Centurion House,
London Road, Staines-upon-Thames, Surrey, TW18 4AX

VEVOR[®]

TOUGH TOOLS, HALF PRICE

Technical Support and E-Warranty Certificate

www.vevor.com/support