

VEVOR[®]

TOUGH TOOLS, HALF PRICE

Technical Support and E-Warranty Certificate
www.vevor.com/support

LED PANEL LIGHT

We continue to be committed to provide you tools with competitive price. "Save Half", "Half Price" or any other similar expressions used by us only represents an estimate of savings you might benefit from buying certain tools with us compared to the majortop brands and does not necessarily mean to cover all categories of tools offered by us. Youare kindly reminded to verify carefully when you are placing an order with us if you are actually saving half in comparison with the top major brands.

VEVOR[®]
TOUGH TOOLS, HALF PRICE

SHIPPING SCALE

MODEL: HFPL24D-50/HFPL14D-30



NEED HELP? CONTACT US!

Have product questions? Need technical support? Please feel free to contact us:

Technical Support and E-Warranty Certificate
www.vevor.com/support

This is the original instruction, please read all manual instructions carefully before operating. VEVOR reserves a clear interpretation of our user manual. The appearance of the product shall be subject to the product you received. Please forgive us that we won't inform you again if there are any technology or software updates on our product.

LED PANEL LIGHT

ALWAYS TURN OFF MAIN POWER BEFORE INSTALLATION

Dimension	A(mm)	B(mm)	C(mm)	Note
2*4	603	1213	35	
1*4	303	1213	35	

PLEASE READ: Important Information Before Installation

This equipment is intended to be installed only by qualified personnel. The installation must be made in accordance with the current edition to the National Electric Code and all applicable state and local building codes.

The final installation must be approved by the appropriate qualified electrical/building inspector(s). Improper installation may result in a fire or electrical hazard. Be sure the electrical power to the circuit has been disconnected before installing this electrical system.

1. Review the diagrams thoroughly and disconnect all electrical power before installation to avoid electric shock.
2. Do not mount near flammable materials or electric heaters.
3. Do not let power supply cords touch hot surface.
4. Fixture is for indoor and dry location, Do not use for outdoor location.
5. The fixture shall be installed or maintenance by qualified electrician or person who is familiar with the luminaires.

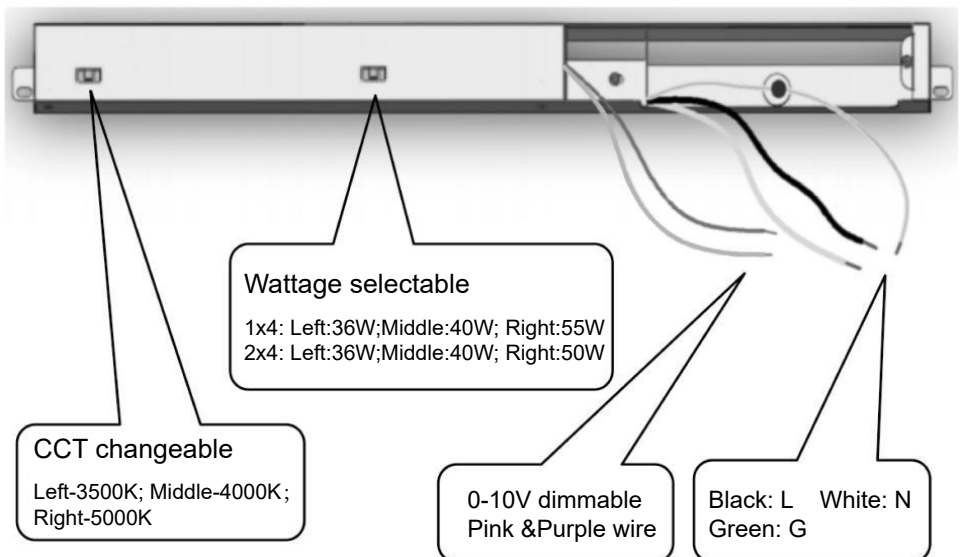
On-Off Wiring Steps:

1. Open the cover of junction box.
2. Remove round knock-out and connect conduit or cable to wiring box with proper connectors. AC input connect neutral to AC-N, the line connects to AC-L, and ground connect to the green wire. It's recommended to use 16GA pigtails from the terminal block to the respective power supply wires.
3. 0-10V Dim mable Wiring.
4. Connect low voltage leads from 0-10V dimming device to respective DIM+ and DIM- of the terminal block.

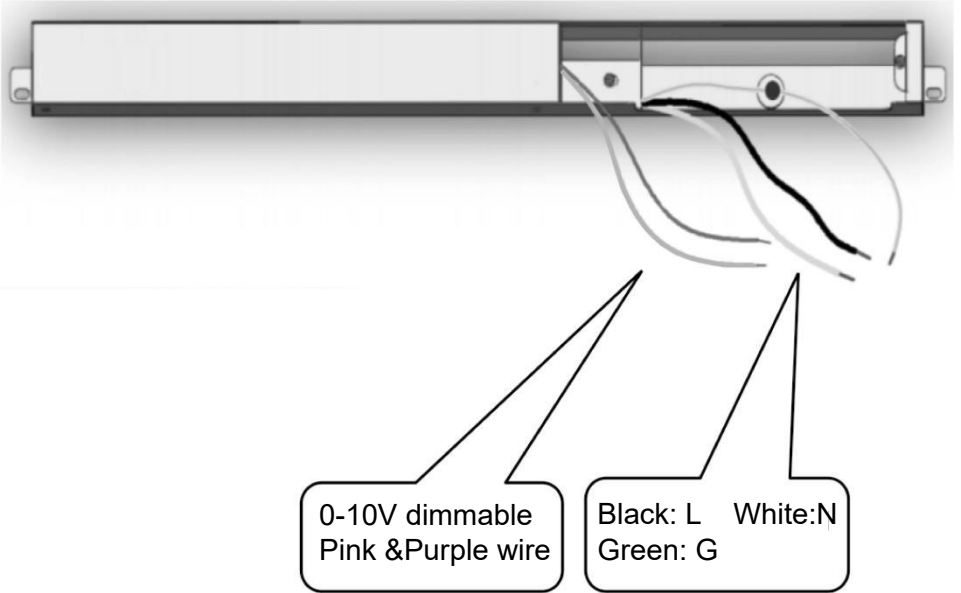
As the following figure(1), two switches, The right switch is the power adjust, which has three settings, beginning to increase the power from left to right. the left switch is the color temperature adjust, which has three settings, changing the color temperature 3500K/4000K/5000K from left to right.

Universal voltage driver permits operation at 120V thru 277V, 50 or 60Hz. 0-10V control wires must be rated for 300V minimum.

LED DRIVER 1



2



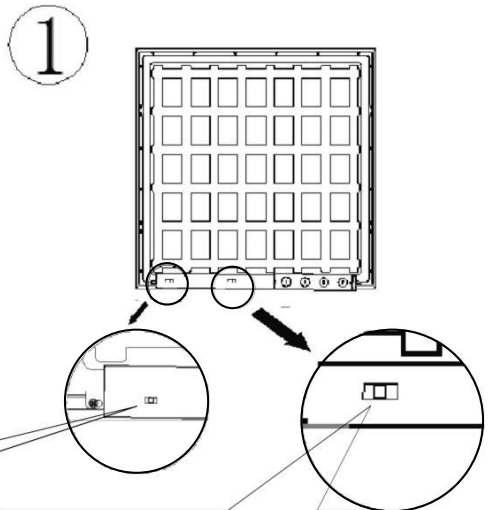
Must add pigtail or jumper wire into the ACL and ACN terminal
if wish to use a wire larger than 16AWG for both AC and Neutral Line

NOTE: REQUIRES 0-10V DIMMER. SEE DIAGRAM

LED PANELLIGHT Recessed Installation Steps:

1. As the following figure :

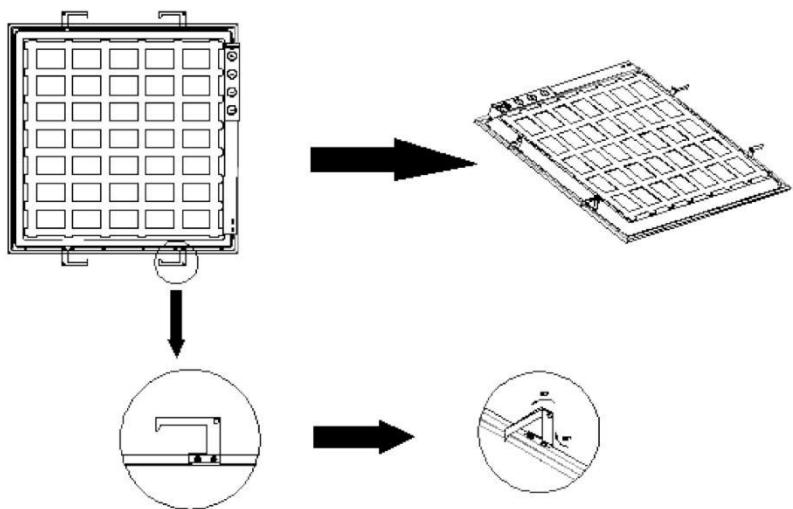
- (1). In the view of the power and color temperature switches, please move the two switches to the desired power and color temperature.
- (2). Turn the clip 90° counter clock wise to secure panel
- (3). Connect the driver to power source
- (4). Insert LED panel into T-bar face down, align the panel with edge of T-bar
- (5). Adjust the panel to right place
- (6). "Mounting Hook is for positioning only" or equivalent, in Format S24-L2



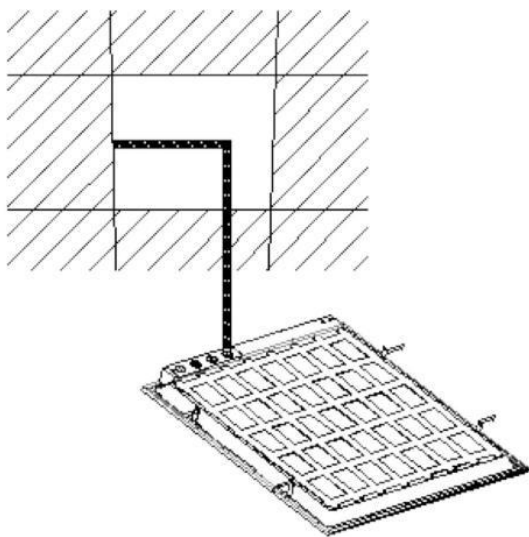
CCT changeable
Left-3500K; Middle-4000K;
Right-5000K
PS: The defaults switch setting
is set to 4000K on the fixture.

Wattage Selectable
1X4: Left:36W; Middle:40W; Right:55W
2X4: Left:36W; Middle:40W; Right:50W
PS: The defaults switch setting is set to
40W (1X4/2X4) on the fixture.

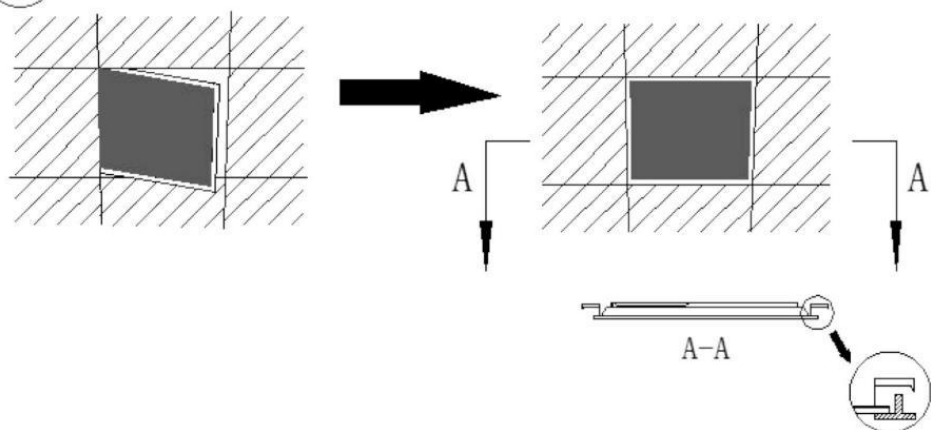
2



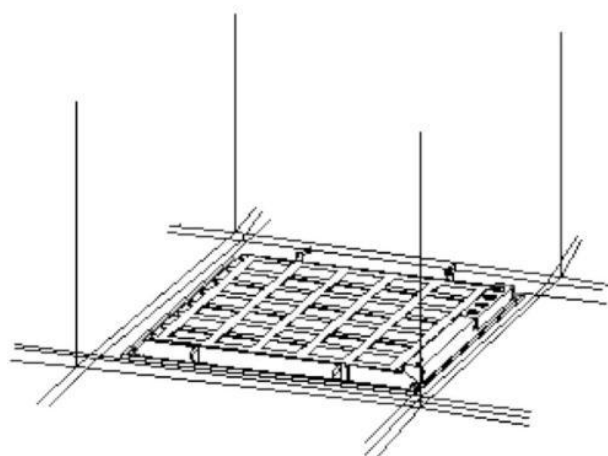
3



4



5



LED PANELLIGHT

Metal rope suspension installation instructions

1. In the view of the power and color temperature switches, please move the two switches to the desired power and color temperature. (Same as Figure (1) above).

As the following figure :

(1). The lamp body is fitted with four metal rings that secure the dropped rope.

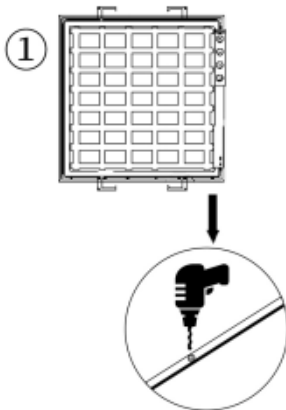
(2). Thread the wire rope into the fixed metal ring, and screw the metal ring clockwise into the lamp body fixing ring

(3). Install four fixing rings of fixed wire ropes at the same position on the roof, thread the four wire ropes into the fixed ring of the roof, adjust the appropriate height, and tighten the fixed metal ring clockwise.

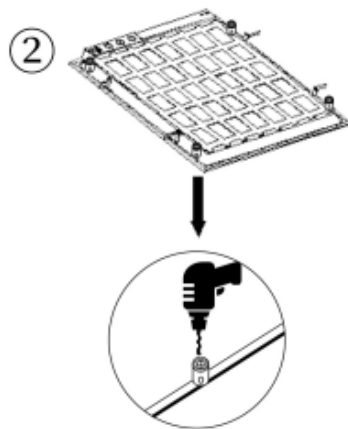
exegesis: Installing the roof fixing metal ring requires the use of professional impact power station tools, please pay attention to safety!!

LED panel light hanging installation operating instructions

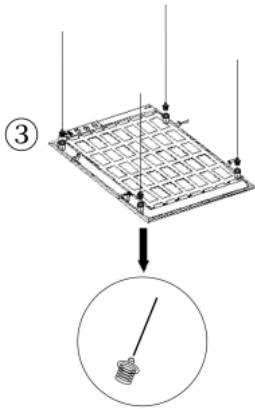
1. Use a Phillips screwdriver to remove the screws near the diagonal of the lamp body. (See Figure 1)



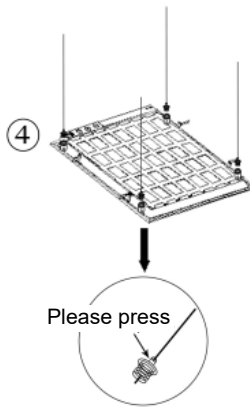
See Figure 1



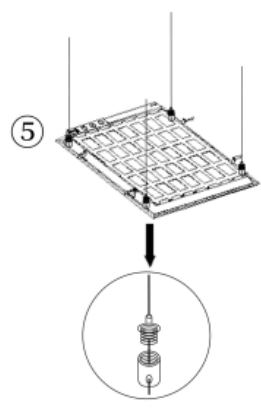
See Figure 2



See Figure 3



See Figure 4



See Figure 5

2. Please take out the screws and stainless steel cylindrical nuts of the accessory bag and put the screws into the stainless steel cylindrical nuts; Then use a Phillips screwdriver to screw the stainless steel nut to the lamp body. (where the screw is removed in the first step). (See Figure 2).
3. Please take out the stainless steel cylindrical screw and the wire rope, and thread the wire rope into the inner hole of the stainless steel cylindrical screw..(See Figure 3).
4. Please press the center hole of the stainless steel screw by hand to adjust the wire rope to your desired height.(See Figure 4).
5. Please install the top of the house by yourself, it is not explained here.

List of accessories

KDSLEDMBD1J2LG8JRV6

- 1.Panel light *1
- 2.Hanging wire*4
- 3.Stainless steel nut*4
- 4.Hanging wire sleeve*4
- 5.Hanging wire holder*4
- 6.Spring head*4
- 7.Screw*4
- 8.Instruction manual*1

KDSLEDMBD2J2WYJAU6

- 1.Panel light *2
- 2.Hanging wire*8
- 3.Stainless steel nut*8
- 4.Hanging wire sleeve*8
- 5.Hanging wire holder*8
- 6.Spring head*8
- 7.Screw*8
- 8.Instruction manual*1

KDSLEDMBD2J15TAL6V6

- 1.Panel light *2
- 2.Hanging wire*8
- 3.Stainless steel nut*8
- 4.Hanging wire sleeve*8
- 5.Hanging wire holder*8
- 6.Spring head*8
- 7.Screw*8
- 8.Instruction manual*1

VEVOR[®]

TOUGH TOOLS, HALF PRICE

**Technical Support and E-Warranty
Certificate www.vevor.com/support**

Made In China