

VEVOR[®]

TOUGH TOOLS, HALF PRICE

Technical Support and E-Warranty Certificate

www.vevor.com/support

BIKE RACK

MODEL:RC-1837B+C

We continue to be committed to provide you tools with competitive price.

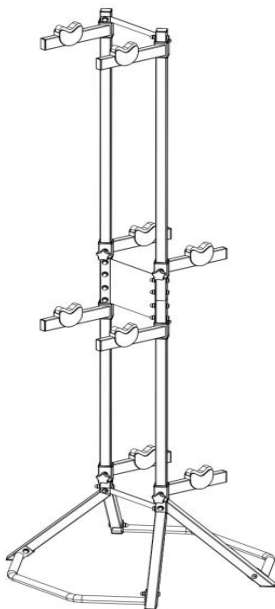
"Save Half", "Half Price" or any other similar expressions used by us only represents an estimate of savings you might benefit from buying certain tools with us compared to the major top brands and does not necessarily mean to cover all categories of tools offered by us. You are kindly reminded to verify carefully when you are placing an order with us if you are actually saving half in comparison with the top major brands.

VEVOR®

TOUGH TOOLS, HALF PRICE

BIKE RACK

MODEL:RC-1837B+C



NEED HELP? CONTACT US!

Have product questions? Need technical support? Please feel free to contact us:

Technical Support and E-Warranty Certificate
www.vevor.com/support

This is the original instruction, please read all manual instructions carefully before operating. VEVOR reserves a clear interpretation of our user manual. The appearance of the product shall be subject to the product you received. Please forgive us that we won't inform you again if there are any technology or software updates on our product.

Safety Notices



Risk of injury!



- Thoroughly read the assembly and operating instructions prior to assembly and follow the individual steps as described in the assembly instructions.

★ **WARNING!** Do not exceed the maximum load capacity! Injuries or product damages may result.

★ Routinely inspect all parts on the bike rack. Tighten loose screws and replace defective parts to avoid product damage.

★ **WARNING!** Only set up the bike rack on solid and even surfaces to prevent the product from tipping.

★ **WARNING!** Do not sit persons on the mounted bicycle. Risk of injury.

★ **DO NOT STEP, CLIMB, OR HANG ON THE STORAGE RACK.**

★ **DO NOT ALLOW SMALL CHILDREN OR PETS TO PLAY IN, ON, OR AROUND THE STORAGE RACK. IMPROPER INSTALLATION AND/OR USE OF THE STORAGE RACK COULD CAUSE SERIOUS INJURY AND/OR DEATH.**

★ **NOTE:** It is our policy to continually improve products and as such we reserve the right to alter data, specification and component parts without prior notice.

★ **IMPORTANT:**

No liability is accepted for incorrect use of this product.

- Do not exceed a max load of 65 lbs. x 4Bikes
- Ensure that the storage rack is level before hanging the bicycle.
- Load heaviest bikes at bottom hanger first.
- Do not move your bike side to side after hanging.
- This storage rack is not a toy. Please keep children away from mounted/loaded unit.



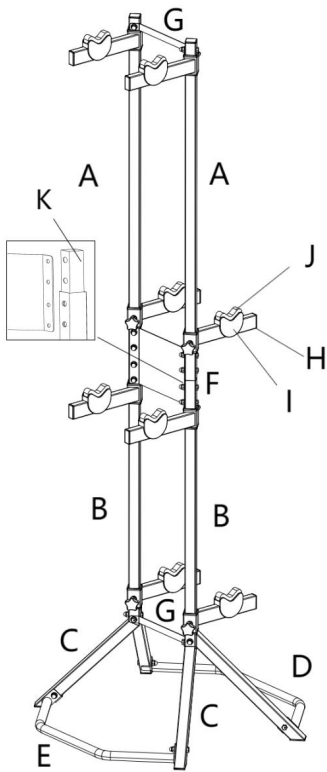
CAUTION !

Unconventional or even improper use may put persons at risk or result in damage to the bicycle.

SAVE THESE INSTRUCTIONS

Placement Quantity	4 pcs
Maximum Bearing Capacity Of Cantilever	65 lbs / 29.5kg
Maximum Total Bearing Capacity	260 lbs / 118kg
Adjustment Range Of Cantilever (Right)	Upper Cantilever: 1137-1898mm
	Lower Cantilever: 306-850mm
Adjustment Range Of Cantilever (Left)	Upper Cantilever: 1197-1958mm
	Lower Cantilever: 366-910mm
Product Size	725×715×2047mm






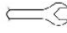
Assembly



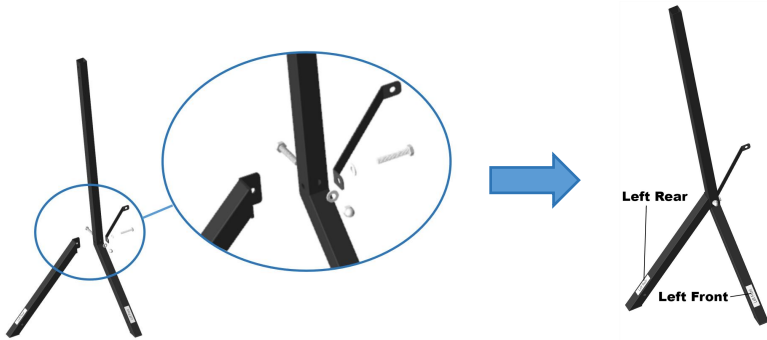
- A. Top Vertical Upright 2pcs
- B. Bottom Vertical/Leg Upright 2pcs
- C. Back Leg 2pcs
- D. Front Stabilizer Bar 1pcs
- E. Rear Stabilizer Bar 1pcs
- F. Middle Plate 1pcs
- G. Top/Bottom Connectors 2pcs
- H. Bike Arm Bar 8pcs
- I. Plastic Bike Cradle 8pcs
- J. Rubber Insert for Bike Cradle 8pcs
- K. Upright Internal Connectors 2pcs

L. Parts Bag:

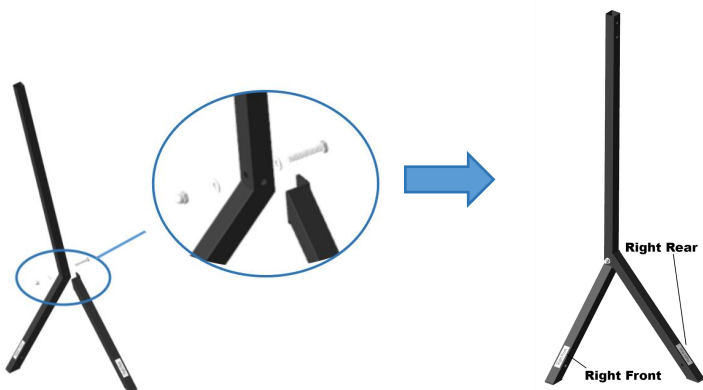
(Note: One M8*45 screw, one M8*40 screw and four washers are extra.)

	8pcs
 M8*45	9pcs
 M8*40	11pcs
	38pcs
	18pcs
	2pcs

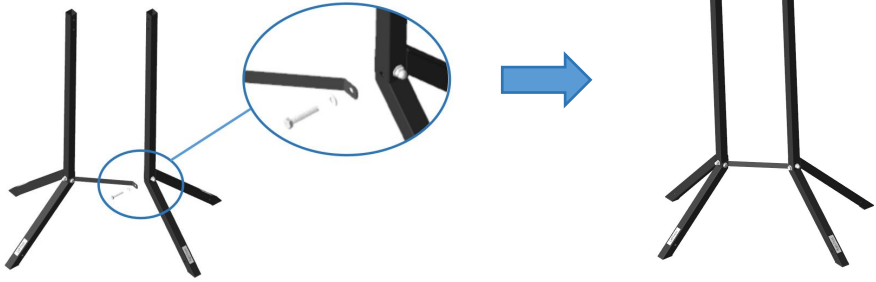
STEP 1: Assemble left support tube. (Need M8*45 2pcs、 washer 3pcs and Nut M8 1pc.)



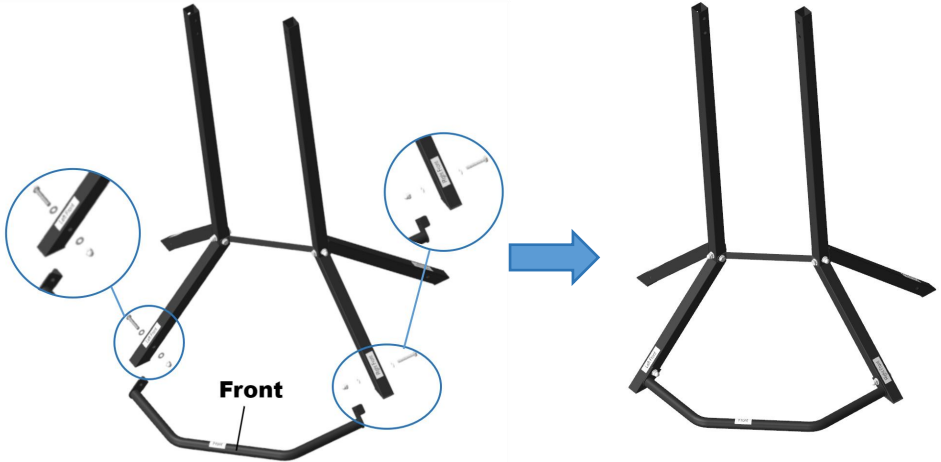
STEP 2: Assemble right support tube. (Need M8*45 1pc、 washer 2pcs and Nut M8 1pc.)



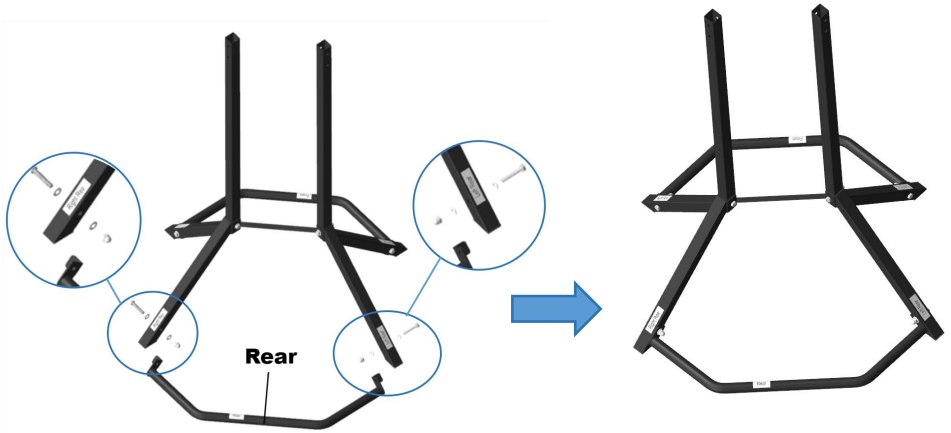
STEP 3: Connect the left and right support tubes. (Need M8*45 1pc and washer 1pc.)



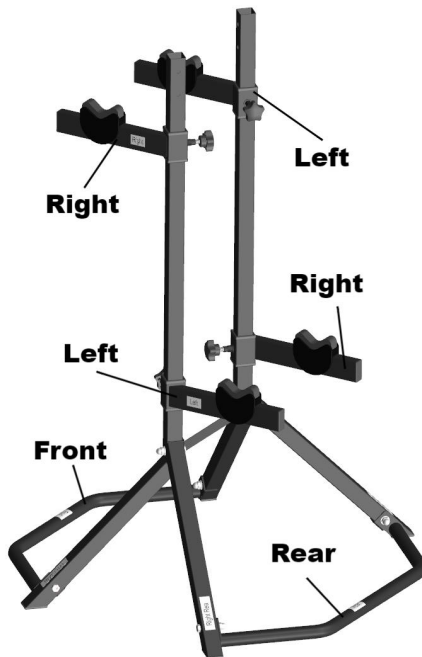
STEP 4: Assemble the front connector. (Need M8*45 2pcs、 washer 4pcs and Nut M8 2pcs.)



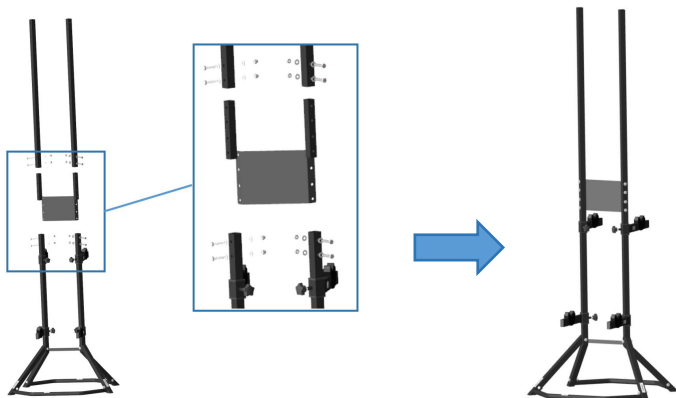
STEP 5: Assemble the rear connector.(Need M8*45 2pcs、 washer 4pcs and Nut M8 2pcs.)



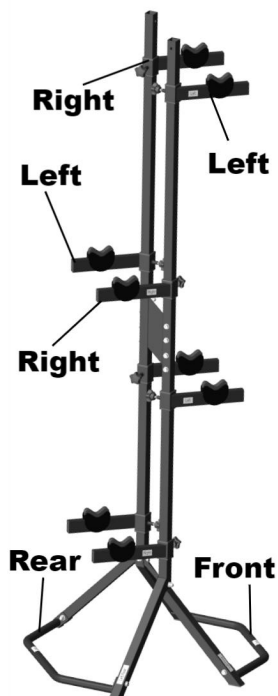
STEP 6: Assemble the cantilever.



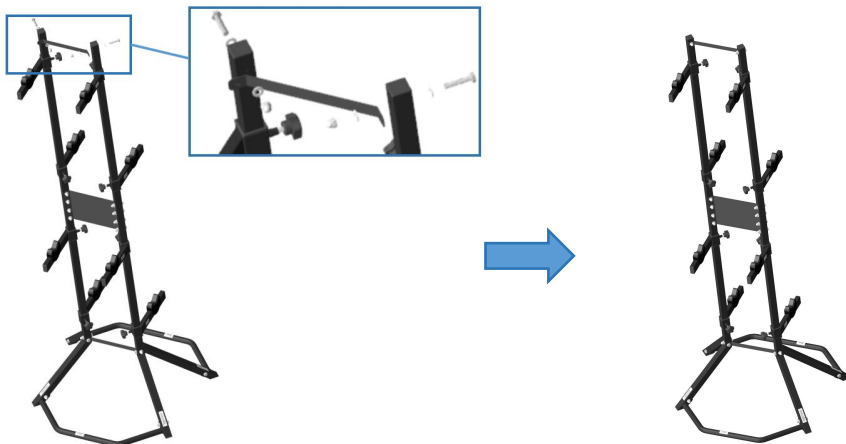
STEP 7: Assemble upper strut and connecting plate. (Need M8*40 8pcs, washer 16pcs and Nut M8 8pcs.)



STEP 8: Assemble the cantilever.



STEP 9: Assembly strip.(Need M8*40 2pcs、 washer 4pcs and Nut M8 2pcs.)



Manufacturer: Shanghaimuxinmuyeyouxiangongsi

Address: Shuangchenglu 803nong11hao1602A-1609shi, baoshanqu, shanghai 200000 CN.

Imported to AUS: SIHAO PTY LTD. 1 ROKEVA STREETEASTWOOD NSW 2122 Australia

Imported to USA: Sanven Technology Ltd. Suite 250, 9166 Anaheim Place, Rancho Cucamonga, CA 91730

EC	REP
-----------	------------

E-CrossStu GmbH
Mainzer Landstr.69, 60329 Frankfurt am Main.

UK	REP
-----------	------------

YH CONSULTING LIMITED.
C/O YH Consulting Limited Office 147, Centurion House, London Road, Staines-upon-Thames, Surrey, TW18 4AX

VEVOR[®]

TOUGH TOOLS, HALF PRICE

Technical Support and E-Warranty Certificate

www.vevor.com/support