

VEVOR[®]

TOUGH TOOLS, HALF PRICE

Technical Support and E-Warranty Certificate www.vevor.com/support

Multi-function Tool Stool

MODEL:BLC9010

We continue to be committed to provide you tools with competitive price. "Save Half", "Half Price" or any other similar expressions used by us only represents an estimate of savings you might benefit from buying certain tools with us compared to the major top brands and does not necessarily mean to cover all categories of tools offered by us. You are kindly reminded to verify carefully when you are placing an order with us if you are actually saving half in comparison with the top major brands.

VEVOR®

TOUGH TOOLS, HALF PRICE

Multi-function Tool Stool

MODEL: BLC9010



NEED HELP? CONTACT US!

Have product questions? Need technical support? Please feel free to contact us:

✉ CustomerService@vevor.com

This is the original instruction, please read all manual instructions carefully before operating. VEVOR reserves a clear interpretation of our user manual. The appearance of the product shall be subject to the product you received. Please forgive us that we won't inform you again if there are any technology or software updates on our product.

SAFETY PRECAUTIONS

WARNING:

Read this material before using this product. Failure to do so can result in serious injury.

Assembly precautions

1. Assemble only according to these instructions. Improper assembly can create hazards.
2. Wear ANSI-approved safety goggles and heavy-duty work gloves during assembly.
3. Keep the assembly area clean and well-lit.
4. Keep bystanders out of the area during assembly.
5. Do not assemble when tired or when under the influence of alcohol, drugs or medication.
6. Product capabilities apply to properly and completely assembled product only.
7. Assemble on a flat, level, hard, and smooth surface capable of safely supporting a fully loaded seat.

Use precautions

TO PREVENT SERIOUS INJURY AND DEATH FROM TIPPING:

1. DO NOT STAND ON THIS ITEM.
2. This product is not a toy. Do not allow children to play with or near this item.
3. Do not exceed weight capacities, evenly distributed from the bottom up. Be aware of dynamic loading! The sudden load movement may briefly create an excess load, causing product failure.
4. Use only on a flat, level, hard, and smooth surface capable of safely supporting a fully loaded seat.
5. Use as intended only.
6. Inspect before every use; do not use if parts are loose or damaged.

SAVE THESE INSTRUCTIONS

TECHNICA PARAMETERS

Model	BLC9010
Rated Load (kg)	300lbs
Product weight (kg)	5.6
Product size (mm)	670*340*390

Essential tools for auto beauty and mechanical repair

The multi-function tool stool is equipped with a slidable chassis storage rack and two bottle racks for all of your car cleaning supplies, allowing you to easily clean the wheels without having to bend frequently to add pressure to the back and knees.

Suitable for DIY work items in garages, workshops or homes-the multi-function tool stool is equipped with durable casters and rubber wheels to allow you to slide easily and quickly in the garage or driveway.

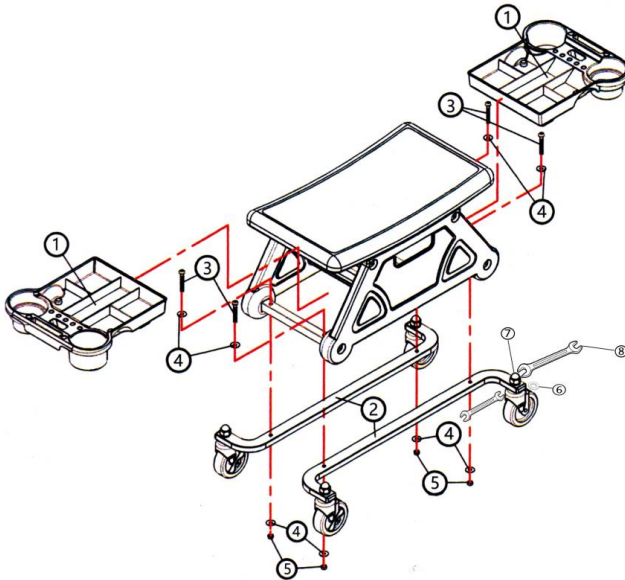
Match the perfect height of the car's side decoration or wheel cleaning-sit down to complete the low-altitude work of car quick beauty, polishing, waxing, ceramic coating, mechanical maintenance, wheel cleaning, tire and rubber. Cleaning, plastic repair, etc., without standing or bending over to reduce pressure on your back or knees.

Convenient storage space-there is a storage drawer and two side storage trays under the seat to easily store car cleaning tools such as spray bottles, sealants, microfiber towels, sponges, applicators, etc.,so that you can carry it with you when you work.

Features:

1. Rubber wheel casters with lock.
2. Storage tray for storing towels, small brushes, and tools.
3. Can hold 4 bottles of 16OZ for easy access.
4. Maximum weight 300LB.
5. 2512"× 13"x 12".

INSTRUCTION FOR USE



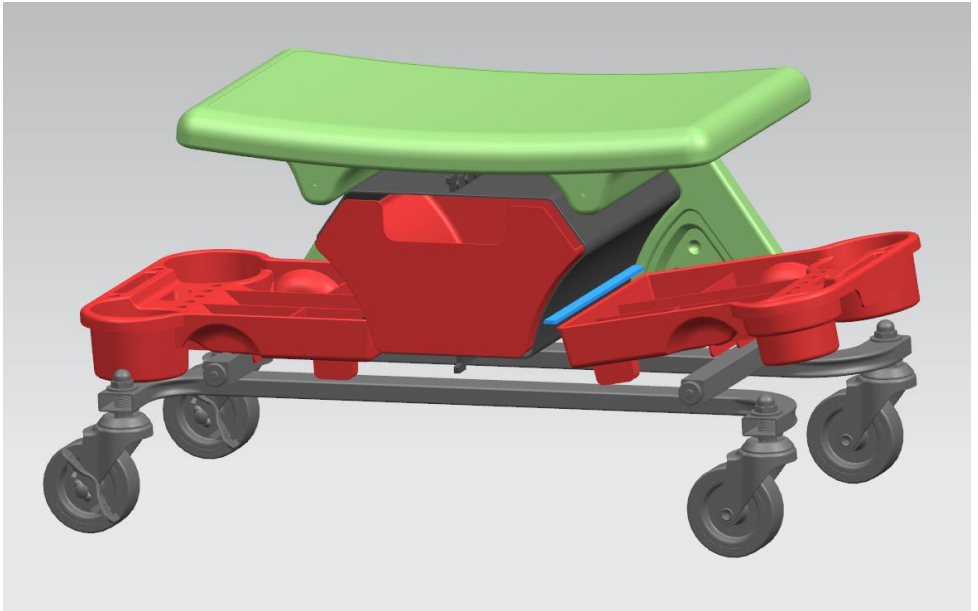
1. Tool Tray-(2 pieces)
2. Underside Frame & Wheel Assembly -(2 sets)
- 3.M6×45 Screw-(4 units)
4. M6 Washer-(8 units)
5. M6 Nylon Nut-(4 units)
- 6.M8 Washer-(4 units)
- 7.M8 Nut-(4 units)

Insert the wheels into the underside frame and fix them with M8 nuts(7) and washers(6).

Use M6 screws(3), M6 Washer(4)and M6 Nyloc nut (5) to mount the

underside frame to the stool.

Insert the tray at an angle and press down to secure it to the beam.



The tray is installed along the inner side of the stool and tilted towards the inside until the inner side of the tray bears against the inner card position of the stool.

Press the tray inward and downward with slight force until the slot at the bottom of the tray snaps into the metal frame, and a slight "bang" sound indicates that the tray has been installed in place.

Made In China

VEVOR[®]
TOUGH TOOLS, HALF PRICE

Technical Support and E-Warranty Certificate
www.vevor.com/support