

VEVOR[®]

TOUGH TOOLS, HALF PRICE

Technical Support and E-Warranty Certificate www.vevor.com/support

COTTON CANDY MAKERS USER MANUAL

We continue to be committed to provide you tools with competitive price.

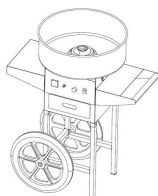
"Save Half", "Half Price" or any other similar expressions used by us only represents an estimate of savings you might benefit from buying certain tools with us compared to the major top brands and does not necessarily mean to cover all categories of tools offered by us. You are kindly reminded to verify carefully when you are placing an order with us if you are actually saving half in comparison with the top major brands.



MHTJXM01F MHTJXM02F MHTJXM03F
MHTJXM01H MHTJXM02H MHTJXM03H
MHTJXM01L MHTJXM02L MHTJXM03L



MHTJJPZY01 MHTJJPZY02 MHTJJPZY03



MHTJJPHC01 MHTJJPHC02 MHTJJPHC03




Note:This user manual is applicable to the cotton candy machines.
Please read it carefully before use.

NEED HELP? CONTACT US!

Have product questions? Need technical support? Please feel free to contact us:

Technical Support and E-Warranty Certificate
www.vevor.com/support

This is the original instruction, please read all manual instructions carefully before operating. VEVOR reserves a clear interpretation of our user manual. The appearance of the product shall be subject to the product you received. Please forgive us that we won't inform you again if there are any technology or software updates on our product.

	<p>Warning-To reduce the risk of injury, user must read instructions manual carefully.</p>
	<p>CORRECT DISPOSAL This product is subject to the provision of european Directive 2012/19/EU. The symbol showing a wheelee bin crossed through indicates that the product requires separate refuse collection in the European Union. This applies to the product and all accessories marked with this symbol. Products marked as such may not be discarded with normal domestic waste, but must be taken to a collection point for recycling electrical and electronic devices.</p>
	<p>Compliance is a EC & UK security certification.</p>

IMPORTANT SAFEGUARDS

When using electrical appliances, basic safety precautions should always be followed including the following:

1. Read all instructions.
2. Do not touch hot surfaces. Use handles or knobs.
3. To protect against electrical shock, do not immerse cords, plugs, or appliances in water or other liquid.
4. Close supervision is necessary when any appliance is used by or near children.
5. Unplug from outlet when not in use and before cleaning. Allow to cool before putting on or taking off parts
6. Do not operate any appliance with a damaged cord or plug or after the appliance malfunctions or has been damaged in any manner. Return appliance to the nearest authorized service facility for examination, repair, or adjustment.
7. The use of accessory attachments not recommended by the appliance manufacturer may cause injuries.
8. Do not use outdoors.
9. Do not let cord hang over edge of table or counter, or touch hot surfaces.
10. Do not place on or near a hot gas or electric burner, or in a heated oven.
11. Extreme caution must be used when moving an appliance containing hot oil or other hot liquids.

12. Always Attach the plug to the appliance first, then the cord to the wall outlet. To disconnect, turn any control to "off," then remove the plug from the wall outlet.
13. Do not use appliances for other than intended use.
14. Household used only.

SAVE THESE INSTRUCTIONS

Note For Cord:

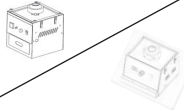

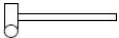



A short power-supply cord is provided to reduce the risk resulting from becoming entangled in or tripping over a longer cord. Extension cords are available and may be used if care is exercised in their use. If an extension cord is used:

- 1) The marked electrical rating of the extension cord should be at least as great as the electrical rating of the appliance;
- 2) The cord should be arranged so that it will not drape over the countertop or tabletop where it can be pulled on by children or tripped over unintentionally; and
- 3) The extension cord should be a grounding-type 3-wire cord.

PRODUCT PARAMETERS


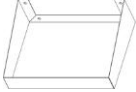




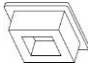

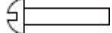
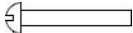
Model	Heating Plate Power	Dimensions(mm)	Voltage	Frequency
MHTJXM01F MHTJXM01H MHTJXM01L	1000W	518*518*415	AC120V	60Hz
MHTJXM02F MHTJXM03F MHTJXM02H MHTJXM03H MHTJXM02L MHTJXM03			AC220-240V	50/60Hz
MHTJJPZY01		518*518*485	AC120V	60Hz
MHTJJPZY02 MHTJJPZY03			AC220-240V	50/60Hz
MHTJJPHC01		518*820*1000	AC120V	60Hz
MHTJJPHC02 MHTJJPHC03			AC220-240V	50/60Hz

PACKING LIST

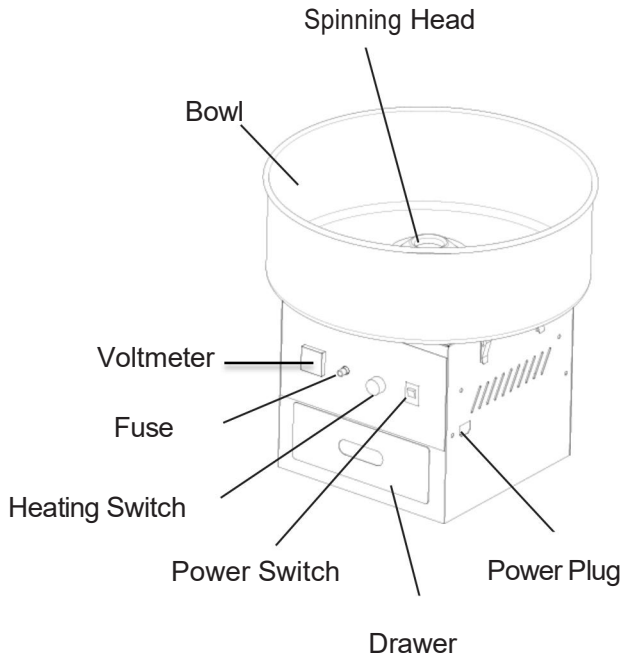
Item	Part Name	QTY	Picture
1	Cotton Candy Machine	1 PCS	
2	Stainless Steel Bowl	1 PCS	
3	Stainless Steel Sugar Scoop	1 PCS	
4	Carbon Brush	1 PCS	
5	Fuse	1 PCS	
6	Power Cord	1 PCS	
7	User Manual	1 PCS	
8	Installation Tools Note: For t he cart-style ones only.	1 SET	

INSTALLATION KIT ACCESSORIES LIST

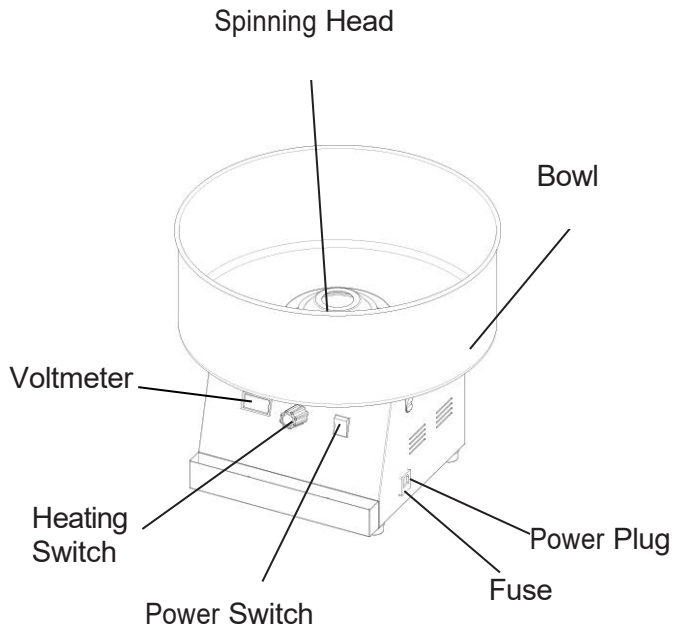
Note: Only the cart-style machines come with the installation kits.

Item	Part Name	QTY	Picture
1	Wheel	2 PCS	
2	Table	1 PCS	
3	Handle	1 PCS	
4	(P1) - Long Bracket	2 PCS	
5	(P2)-Short Bracket (Wheel Mounting)	2 PCS	
6	(P3)-Transverse Fixing Bracket	3 PCS	
7	Plastic Pad	2 PCS	
8	Bolts (M8*70)	2 PCS	
9	Screw (M5*12)	16 PCS	
10	Screw (M5*35)	6 PCS	

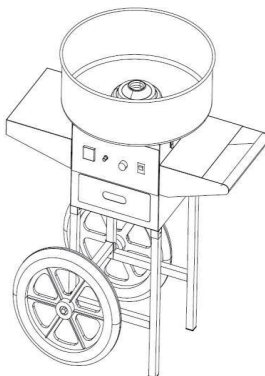
PRODUCT COMPOSITION DIAGRAM



Cotton Candy Machine
(Countertop Type with Cabinet)



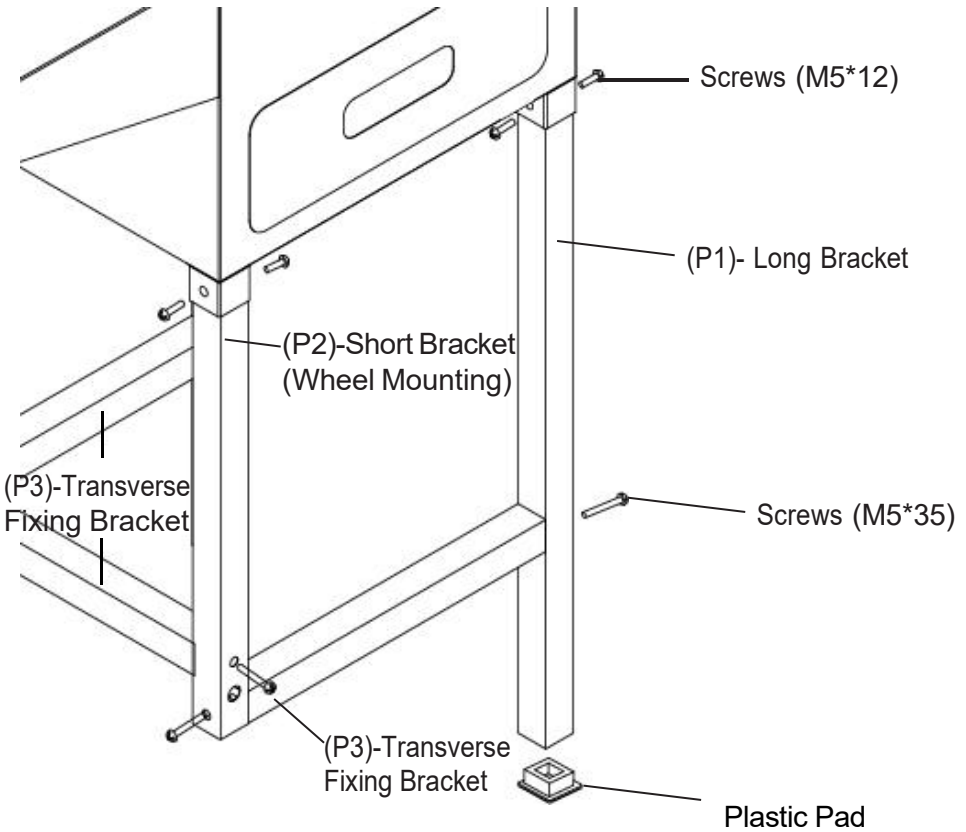
Cotton Candy Machine
(Countertop Type)



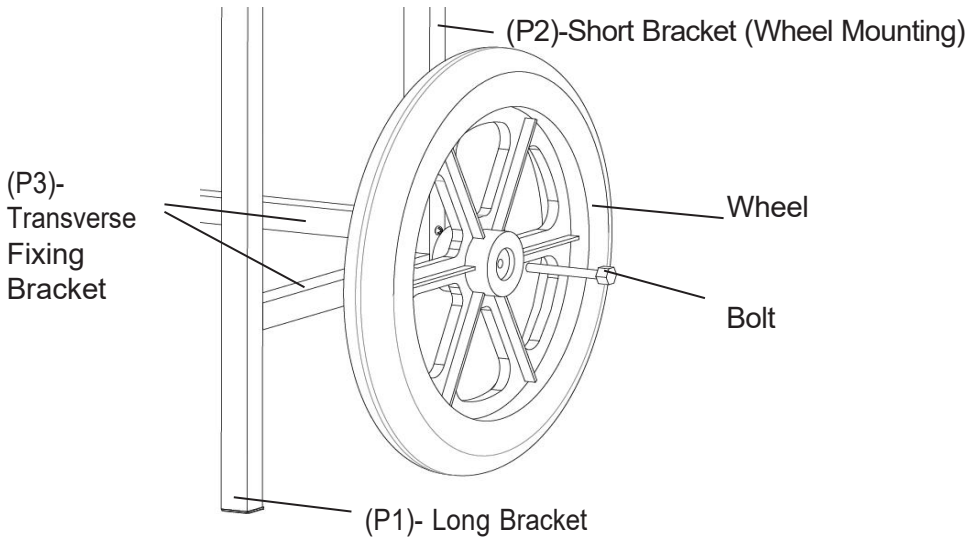
Cotton Candy
Machine (Cart Type)

Please install the wheels for the Cart Type in the following order.

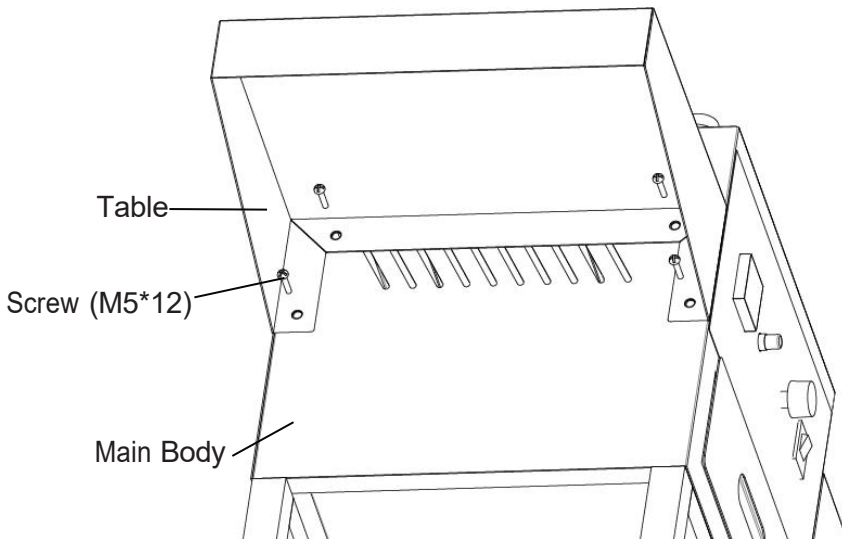
1. Use screws (M5*12) and screws (M5*35) to install the bracket as shown in the figure. The installation steps on both sides are the same.

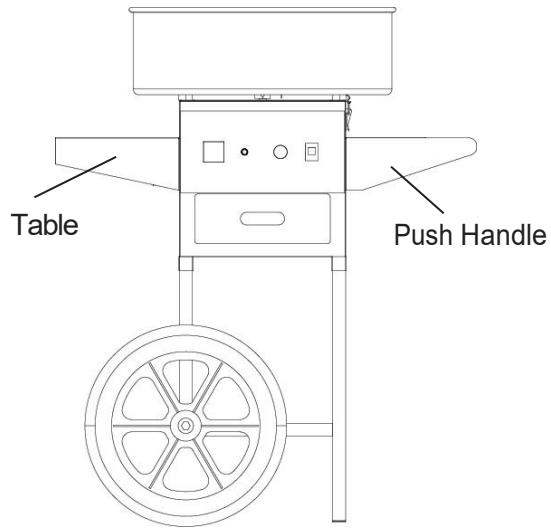


2. Install two wheels under the frame with two Bolts (M8*70).

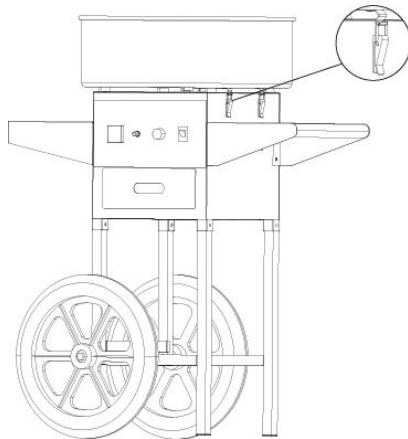


3. Install the table on the left side of the main body, and install the push handle on the right side with 8 pcs Screw (M5*12)

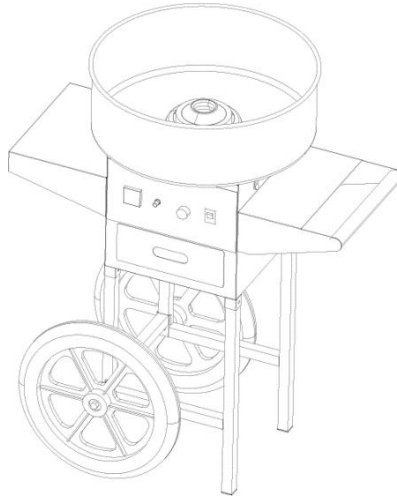




4. Place the stainless steel pan on top of the box and fix it with the 4 locking clips on both sides.



5. After all assembly is completed, it is ready to use. Please properly keep the other components, which will be used during use or maintenance.



OPERATION PRECAUTIONS

1. Please read this manual carefully before use. In order to give full play to its advantages and achieve satisfactory results, please understand the structure and function of the machine, and be familiar with its main parts and related safety operations.
2. After taking the machine out of the package, rinse the bowl and spinning head with a small amount of clean water, and then wipe the water stains with a soft cloth.
3. The machine should be installed on a supported workbench, keeping a distance from the ground.
4. Before starting the machine, please check whether the voltage of the power supply used is consistent with the voltage of the machine used. Ensure that the contact between the socket and the machine meets the safety standards, the leakage protection switch and ground wire are installed, and everything meets the electricity requirements.

OPERATING INSTRUCTIONS

1. Press the switch to turn on the machine and wait for 1-2 minutes. Observe whether the machine runs smoothly when the spinning head of the machine is rotating. If the vibration is too severe, the machine needs to be adjusted. It must be ensured that the machine is placed stably.
2. Adjust the voltage knob to Max, and the voltmeter will change with the adjustment. Warm up the machine for 2-3 minutes. After preheating, the voltage can be adjusted according to the user's temperature requirements.
3. First, pour half a teaspoon of sugar, test the degree of heating and sugar production. When everything is okay, then pour a spoonful of clean white sugar in the center of the sugar head.
4. After about 3 seconds, the cotton candy starts to squirt out. Take a bamboo stick and rotate it a few times along the inner wall of the bowl. Then, place the stick horizontally and rotate it over the spinning head to form cotton candy. Different shapes can be made by tilting the sticks.
5. After making enough cotton candy, turn off the machine.

CLEANING

1. The machine needs to be cleaned after the cotton candy is made, otherwise the spinning head may be blocked. Keep the machine running during the cleaning process, pour a small amount of water into the rotor, then the rotor will shake off the water slowly. After that, turn off the machine and clean it with a dry soft cloth.
2. If the spinning head is blocked, turn off the machine and open the spinning head, then clean up the burnt sugar.
3. Do not wash the machine with detergents such as washing powder.
4. Do not rinse the machine directly with water.

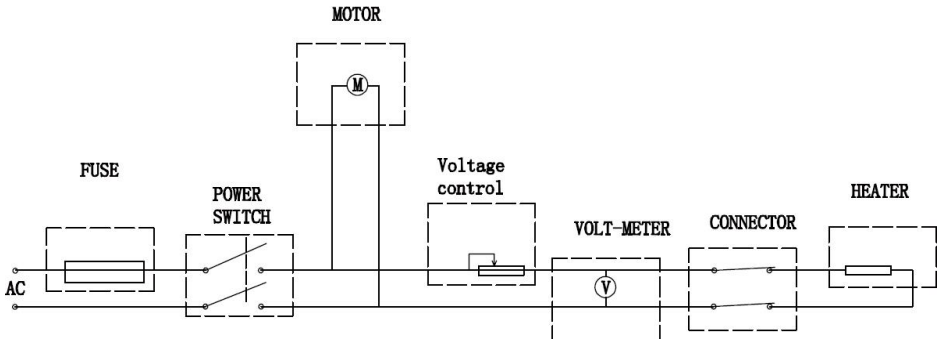
NOTICE

1. Minors are prohibited from using this product.
2. Do not put the wire close to the hot surface. Do not immerse the lugs on the machine in water or other liquids. Do not use damaged cords, sockets or plugs.
3. The machine must be properly installed before inserting the plug into the outlet. When not in use or before cleaning, turn off the switch, unplug the power supply, wait for the spinning head to stop rotating, and wait for the

machine to cool down.

4. Do not touch the rotating spinning head when the machine is working. Do not reach your hands into the bowl until the sugar is gone. To avoid burns, do not move the machine while it is working.
5. Do not touch the plug or wire when the plug or wire is wet or your hands are wet, otherwise it may cause an electric shock.
6. The motor of this machine is designed to have a temporary cut-off rate of 80%, so long-term continuous operation should be avoided. After working continuously for one hour, you should pause for 20 minutes before starting to work, which will greatly extend the service life of the motor.
7. Whether it is cleaning, maintenance and other related work, the power should be turned off first, and the power plug should be unplugged. The machine is not allowed to run without load for a long time.
8. Cleaning agents are not allowed to be used during cleaning to prevent the cleaning agents remaining on the machine from being eaten by mistake.

CIRCUIT DIAGRAM



TROUBLESHOOTING

Fault: No Sugar Filament

1. Check whether the sugar head is rotating or not, and stop the machine to sense whether the sugar head is hot.
2. If the sugar head does not rotate, check whether the machine is powered on and the motor is broken.
3. If the sugar head is not hot: check whether the machine is powered on, whether the sugar head is ringing, and whether the voltage is excessive.
4. Unscrew the fuse knob on the panel or pry open the fuse cover (for Countertop Type) in the socket, then, take the fuse out to check whether it is burnt out.
5. Remove the baffle & upper cover and take out the cover through the spinning head, then you can see the internal condition of the machine. Check whether the carbon brush is loose or not working, if so, replace it with a new one.

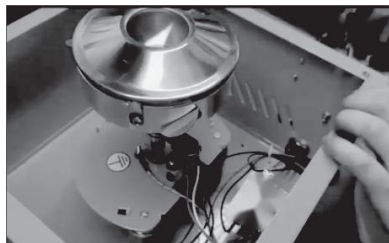
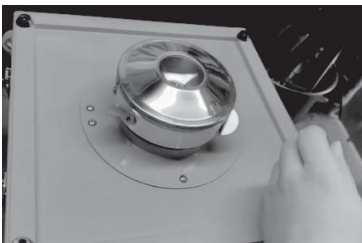
NOTICE FOR CARBON BRUSH

Please replace the carbon brush in time if the following situations occur during routine maintenance inspection and use:

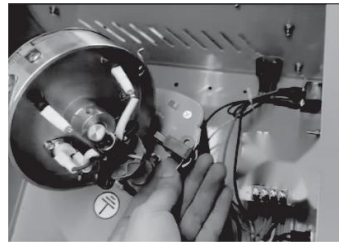
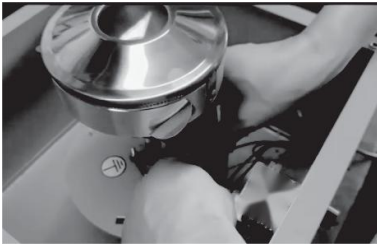
1. The carbon brush has a relatively large spark and smoke.
2. The contact surface of the carbon brush on the slip ring is less than 70%.
3. Carbon brush spring pressure mismatch, etc.

REPLACE THE CARBON BRUSH STEPS

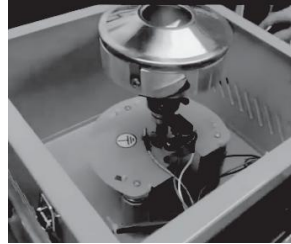
1. Remove the screws fixing the baffle plate and top cover and take out the baffle and top cover.



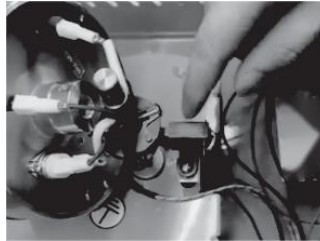
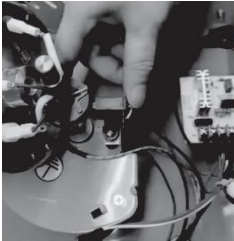
2. Remove the connecting end of the carbon brush, remove the fixing screws, and take out the old carbon brush. (In order to facilitate the installation and disassembly, the fixing screw of the sugar head can be removed first to increase the operating space)



3. Replace the new carbon brush, place it in position and fix it with screws, and plug in the connecting end.



4. Check the installation of the new carbon brush. (whether the spring and the installation contact is good)



5. Reinstall the top cover and baffle, complete the carbon brush replacement.



⚠ Note: The carbon brush is a consumable and should be replaced after a period of use.

VEVOR[®]

TOUGH TOOLS, HALF PRICE

Technical Support and E-Warranty Certificate
www.vevor.com/support