

VEVOR[®]

TOUGH TOOLS, HALF PRICE

Technical Support and E-Warranty Certificate

www.vevor.com/support

WORKBENCH WITH PEGBOARD

USER MANUAL

We continue to be committed to provide you tools with competitive price.

"Save Half", "Half Price" or any other similar expressions used by us only represents an estimate of savings you might benefit from buying certain tools with us compared to the major top brands and does not necessarily mean to cover all categories of tools offered by us. You are kindly reminded to verify carefully when you are placing an order with us if you are actually saving half in comparison with the top major brands.

VEVOR[®]

TOUGH TOOLS, HALF PRICE

WORKBENCH WITH
PEGBOARD

MODEL: JL-WB05-3

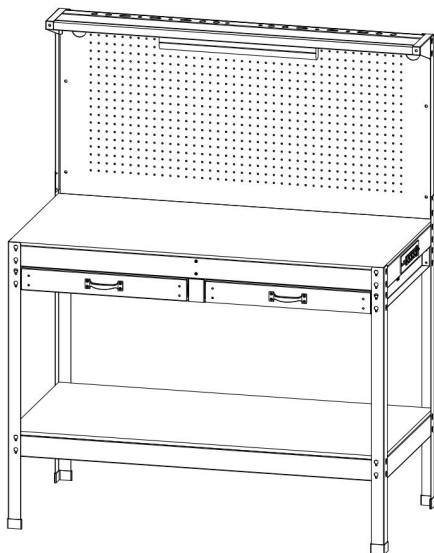


Photo for reference

NEED HELP? CONTACT US!

Have product questions? Need technical support? Please feel free to contact us:

Technical Support and E-Warranty Certificate
www.vevor.com/support

This is the original instruction, please read all manual instructions carefully before operating. VEVOR reserves a clear interpretation of our user manual. The appearance of the product shall be subject to the product you received. Please forgive us that we won't inform you again if there are any technology or software updates on our product.

SAFE INSTRUCTIONS

⚠️ WARNING : Please read this user manual carefully!

Assembly Precautions

1. Carefully check the box for any damages. If damaged, please take a photo for your record and contact our service team for help.
2. It is dangerous if not installed correctly. Fasten all screws, nuts before using it.
3. Please assemble according to these instructions. Improper assembly can create hazards.
4. Wear ANSI-approved safety goggles and heavy-duty work gloves during assembly.
5. Keep assembly area clean and well-lit.
6. Keep bystanders out of the area during assembly.
7. Do not assemble when tired or when under the influence of alcohol, drugs or medication.
8. Weight capacity and other product capabilities apply to properly and completely assembled products only.
9. Assemble on a flat, level, hard and smooth surface capable of safely supporting a fully loaded workbench.
10. Please do not discard the box until after you have finished assembling the workbench.
11. When using the workbench, ensure all casters are locked to avoid any mishaps. Unlocked casters can be very dangerous.

Use Precautions

The manual contains very important safety information; please read it carefully before assembling it and keep it safe for future reference.

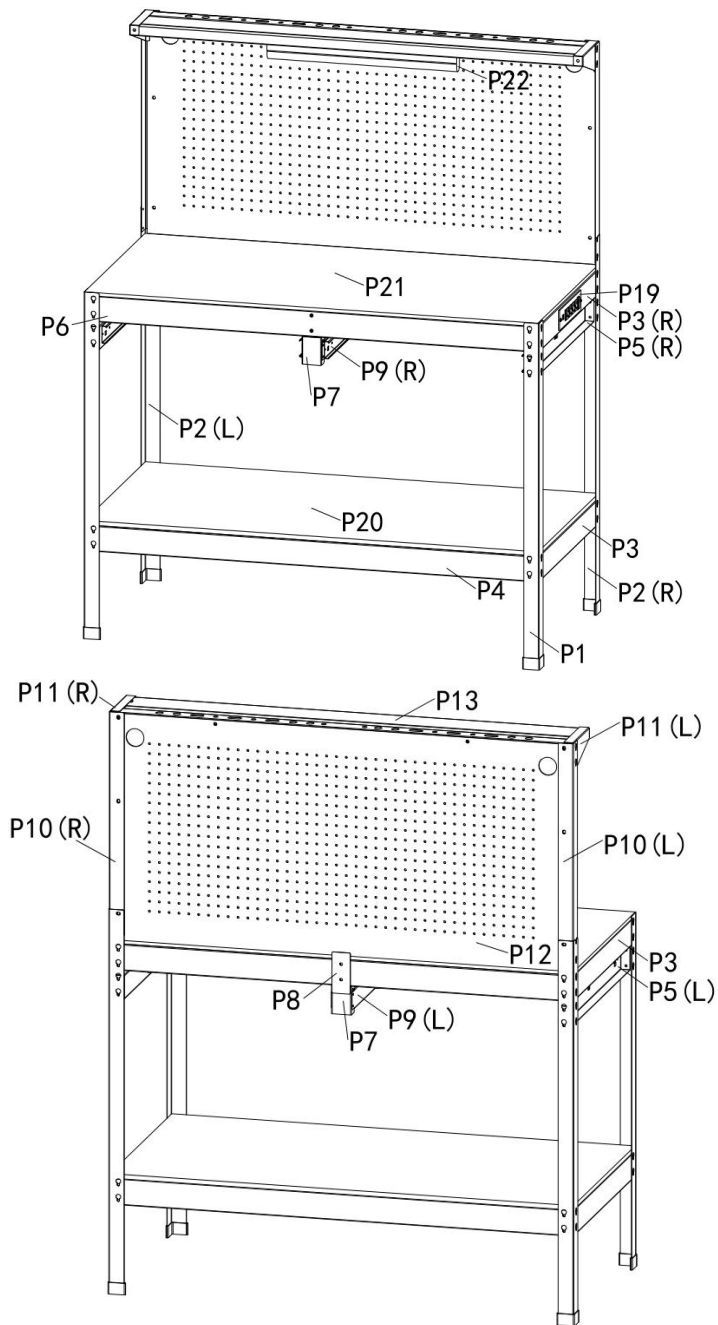
1. Do not attach or mount this product to a vehicle. This may cause personal injury or product damage.
2. Do not stand or step on this product. You may fall which may cause personal injury.
3. Keep the product on level surfaces. The product may become unstable

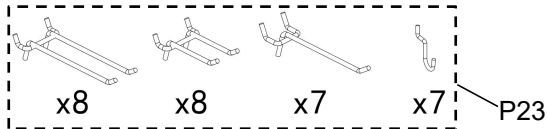
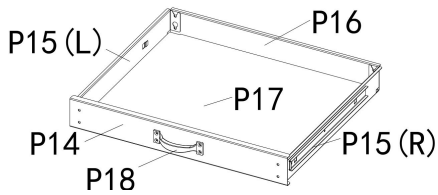
and tip if stored or moved on an Uneven surface,which may cause personal injury or product damage.

4. Lock the drawers before moving this product.The drawers could come open and make the product unstable and tip,which may cause personal or product damage.
5. Keep children and bystanders away while loading,unloading and moving the product.
6. Do not lift the product directly with a forklift or tow with any mechanical devices.
7. Do not exceed the maximum load capacity,including contents.Do not exceed the maximum load capacity of each drawer.Do not exceed the maximum load capacity of each tray.
8. Do not alter this product in any manner.
9. The box contains some small components; please place them properly before installation to keep them away from kids and ensure safety.
10. Before installing the socket, the desktop should be cleaned to ensure that there are no stains on the desktop. In particular, attention should be paid to not bringing water into the socket so as to avoid safety problems during subsequent use.

CAUTION: Carefully read instructions and procedures for safe operations.
SAVE THESE INSTRUCTIONS

STRUCTURE DIAGRAM





S/N	QTY	S/N	QTY
P1	2	P11(R)	1
P2(R)	1	P11(L)	1
P2(L)	1	P12	1
P3	3	P13	1
P3(R)	1	P14	2
P4	2	P15(R)	2
P5(R)	1	P15(L)	2
P5(L)	1	P16	2
P6	2	P17	2
P7	2	P18	2
P8	1	P19	1
P9(R)	1	P20	1
P9(L)	1	P21	1
P10(R)	1	P22	1
P10(L)	1	P23	1

S/N	QTY	S/N	QTY
Screw M4x12	10	Screw M6x12	14
Nut M4	8	Nut M6	14

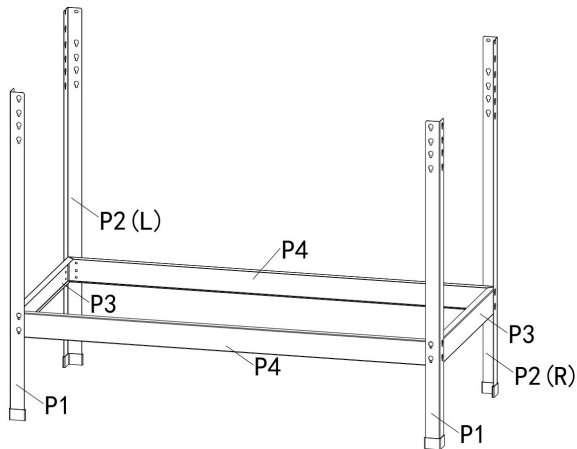
INSTALLATION INSTRUCTION

Please check the parts carefully according to the parts list. If you are missing any parts, please contact our customer service department.

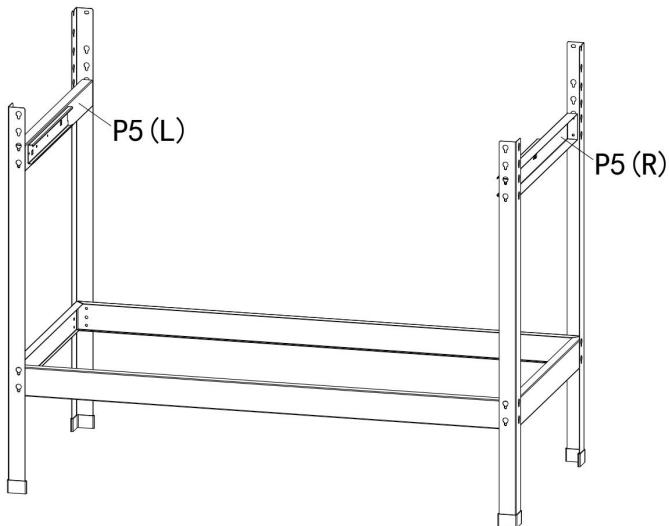
NOTE: We recommend two people to assemble the workbench. It will need to take about an hour,

TOOLS REQUIRED (NOT INCLUDED): Philips head screwdriver, and a bubble level, an adjustable wrench, a rubber hammer etc.,

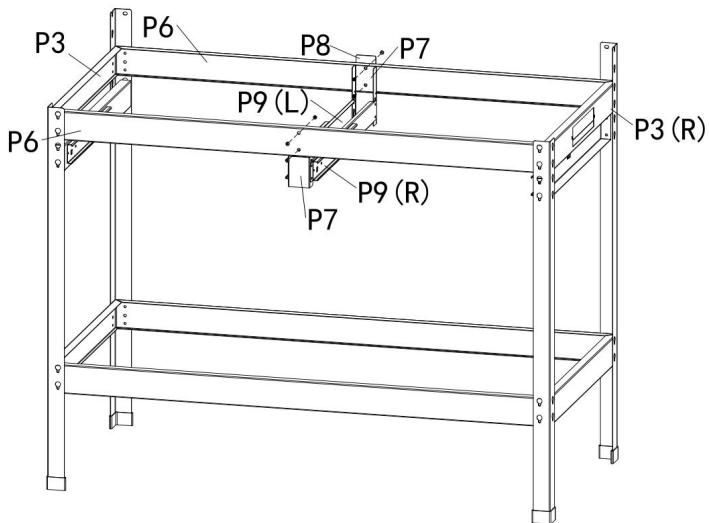
STEP 1: Install the lower workbench support.



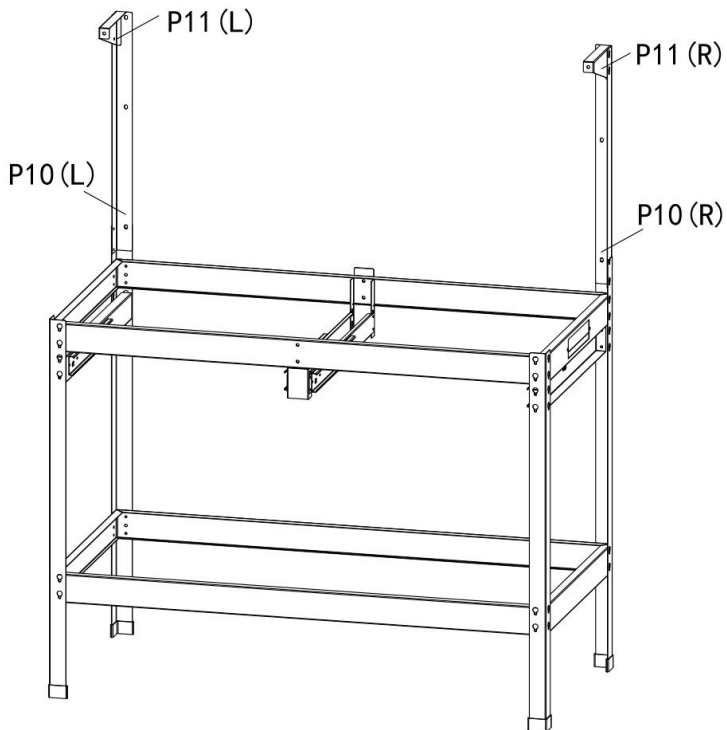
STEP 2: Install the upper workbench support.



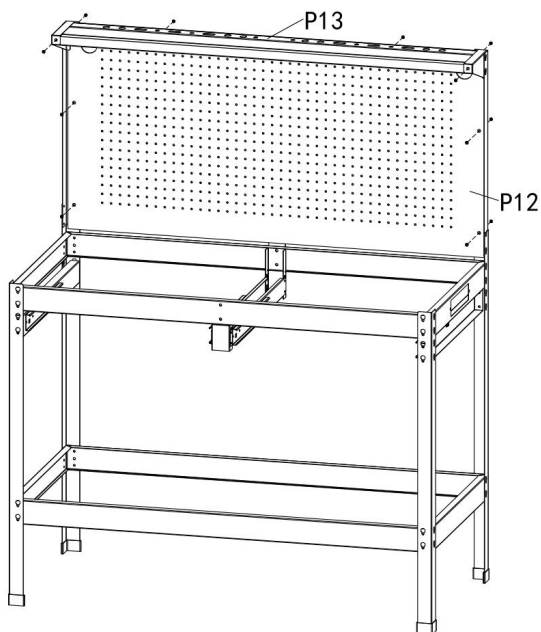
STEP3: As shown in the figure, use screws and nuts to assemble P7 and P8 to P6.



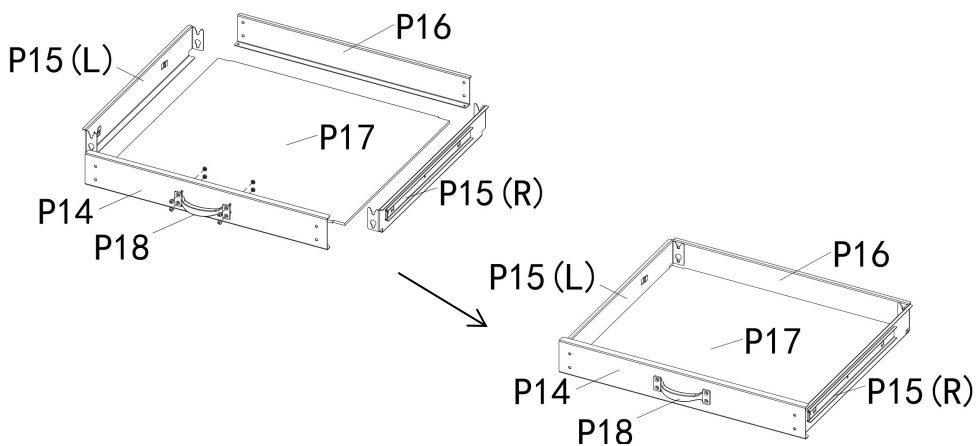
STEP4: Install pegboard and supports.



STEP5: Install the top plate and assemble P12 and 13 using screws (M6x12) and nuts (M6), do not tighten the screws, and tighten them when all the assembly is complete.

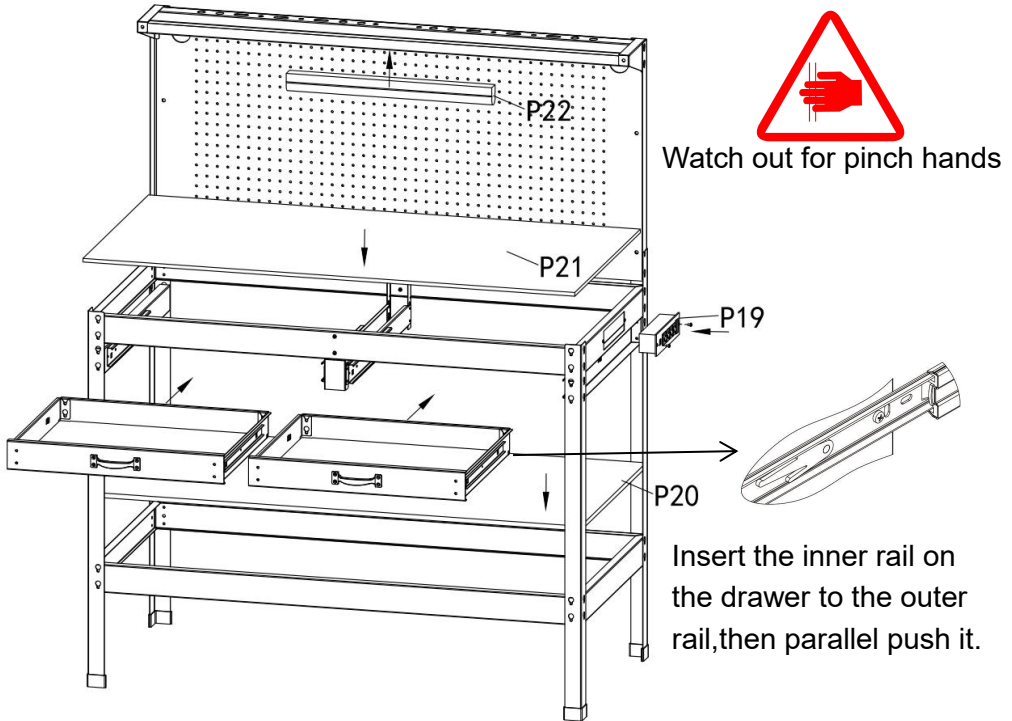


STEP6: Using screws (M4x12) and nuts (M4) to fix P18 to P14. assemble drawer and install drawer guide.



STEP7:

1. As the below picture, using screws (M4x12) to fix P19 to P3(R).
2. Assemble drawer and install drawer guide.
3. Put the tabletop into the upper and lower workbench brackets from above, paying attention to your fingers and not pinching them.
4. Install LED light.
5. Select the hook in P23 to install it on the hole plate P12 as needed.



MAINTENANCE

1. Please try to avoid putting wet items on desktop.
2. Dust off regularly with a clean rag, and arrange items neatly on desktop.
3. Don't let it sit in the sun for too long.
4. Check the table regularly to prevent screws from loosening and falling off.

Correct Disposal



This product is subject to the provision of European Directive 2012/19/EU. The symbol showing a wheelie bin crossed through indicates that the product requires separate refuse collection in the European Union. This applies to the product and all accessories marked with this symbol.

Products marked as such may not be discarded with normal domestic waste, but must be taken to a collection point for recycling electrical and electronic

Manufacturer: Shanghai muxin muyeyouxiangongsi

Address: Shuangchenglu 803nong11hao1602A-1609shi, baoshanqu, shanghai 200000 CN.

Imported to AUS: SIHAO PTY LTD, 1 ROKEVA STREET EASTWOOD NSW 2122 Australia

Imported to USA: Sanven Technology Ltd., Suite 250, 9166 Anaheim Place, Rancho Cucamonga, CA 91730

EC	REP
----	-----

E-CrossStu GmbH
Mainzer Landstr.69, 60329 Frankfurt am Main.

UK	REP
----	-----

YH CONSULTING LIMITED.
C/O YH Consulting Limited Office 147, Centurion House,
London Road, Staines-upon-Thames, Surrey, TW18 4AX

VEVOR[®]

TOUGH TOOLS, HALF PRICE

Technical Support and E-Warranty Certificate

www.vevor.com/support