

VEVOR[®]

TOUGH TOOLS, HALF PRICE

Technical Support and E-Warranty Certificate

www.vevor.com/support

WORKBENCH WITH PEGBOARD

USER MANUAL

We continue to be committed to provide you tools with competitive price.

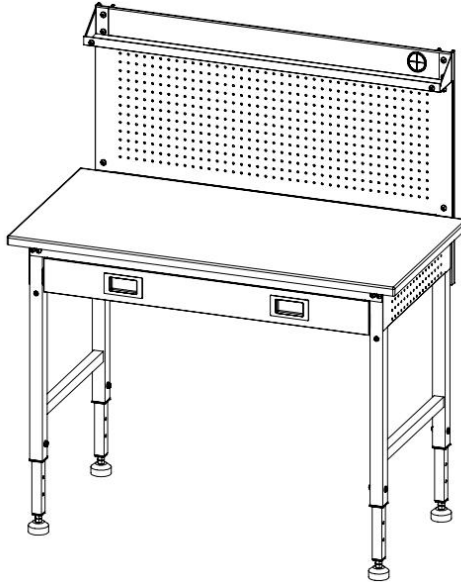
"Save Half", "Half Price" or any other similar expressions used by us only represents an estimate of savings you might benefit from buying certain tools with us compared to the major top brands and does not necessarily mean to cover all categories of tools offered by us. You are kindly reminded to verify carefully when you are placing an order with us if you are actually saving half in comparison with the top major brands.

VEVOR®

TOUGH TOOLS, HALF PRICE

WORKBENCH WITH
PEGBOARD

MODEL:SHFGM4824GR



NEED HELP? CONTACT US!

Have product questions? Need technical support? Please feel free to contact us:

Technical Support and E-Warranty Certificate
www.vevor.com/support

This is the original instruction, please read all manual instructions carefully before operating. VEVOR reserves a clear interpretation of our user manual. The appearance of the product shall be subject to the product you received. Please forgive us that we won't inform you again if there are any technology or software updates on our product.

SAFE INSTRUCTIONS

⚠️ WARNING : Please read this user manual carefully!

Assembly Precautions

1. Assemble only according to these instructions. Improper assembly can create hazards.
2. Wear ANSI-approved safety goggles and heavy-duty work gloves during assembly.
3. Keep assembly area clean and well-lit.
4. Keep bystanders out of the area during assembly.
5. Do not assemble when tired or when under the influence of alcohol, drugs or medication.
6. Weight capacity and other product capabilities apply to properly and completely assembled products only.
7. Assemble on a flat, level, hard and smooth surface capable of safely supporting a fully loaded workbench.

Use Precautions

1. Do not attach or mount this product to a vehicle. This may cause personal injury or product damage.
2. Do not stand or step on this product. You may fall which may cause personal injury.
3. Keep the product on level surfaces. The product may become unstable and tip if stored or moved on an unlevel surface, which may cause personal injury or product damage.
4. Lock the drawers before moving this product. The drawers could come open and make the product unstable and tip, which may cause personal or product damage.
5. Keep children and bystanders away while loading, unloading and moving the product.
6. Do not lift the product directly with a forklift or tow with any mechanical devices.

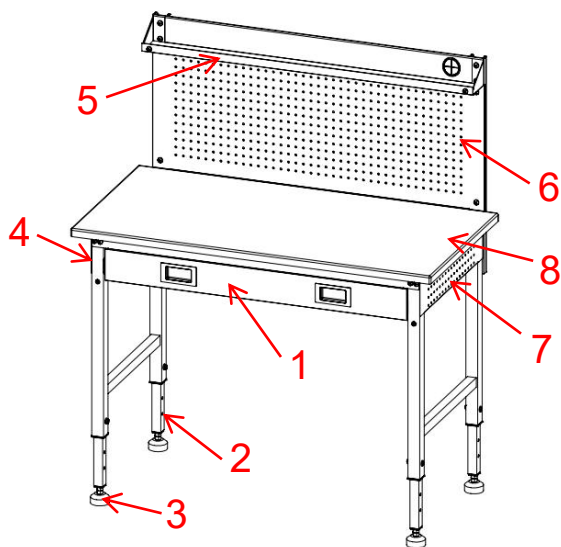
7. Do not exceed the maximum load capacity,including contents.Do not exceed the maximum load capacity of each drawer.Do not exceed the maximum load capacity of each tray.
8. Do not alter this product in any manner.
9. The box contains some small components; please place them properly before installation to keep them away from kids and ensure safety.
10. Before installing the socket, the desktop should be cleaned to ensure that there are no stains on the desktop. In particular, attention should be paid to not bringing water into the socket so as to avoid safety problems during subsequent use.

CAUTION: Carefully read instructions and procedures for safe operations.
SAVE THESE INSTRUCTIONS

MODEL AND PARAMETERS


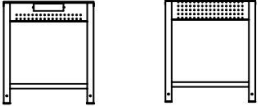



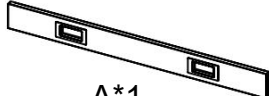
Model	SHFGM4824GR
Desktop Size	48"x24"
Maximum Load Capacity	2000lbs
Pegboard	48"x24" (Hole:Φ5.8mm,Hole Spacing:1")
Drawer Size	1000x405x85mm(inside)
Table Height Range	28"—39.5"
Power Strip	120V~ 60Hz,USB (DC5V,2A)
Lighting	LED / DC5V,14W


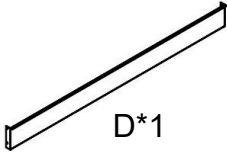

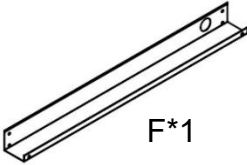
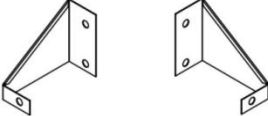
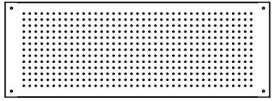
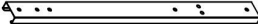

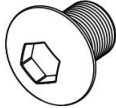


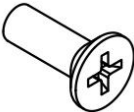
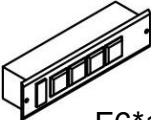


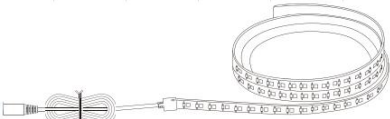
STRUCTURE DIAGRAM



1. Drawer 2. Telescopic Leg 3. Foundation 4. Power Strip
 5. LED Light 6. Pegboard 7. Hanging Plate (Side) 8. Desktop

COMPONENTS

 <p>P1*1</p>	 <p>P2*1 P3*1</p>	 <p>P4*2</p>
 <p>P5*4</p>	 <p>P6*4</p>	 <p>A*1</p>

 <p>B*1 C*1</p>	 <p>D*1</p>	 <p>E*1</p>
 <p>F*1</p>	 <p>G*1 H*1</p>	 <p>I*1</p>
 <p>J*2</p>	 <p>F1(M6x12mm)*16+2</p>	 <p>F2(M8x12mm)*20</p>
 <p>F3(M8)*12+2</p>	 <p>F4(M8x50mm)*8</p>	 <p>F5(M4x12mm)*2</p>
 <p>F6*1</p>	 <p>a*1</p>	 <p>b*28 c*28</p>
 <p>H*1</p>		

INSTALLATION

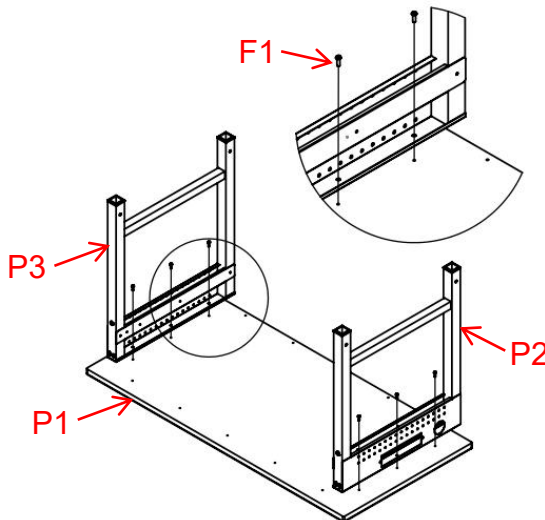
Installation Preparation:

1. Two or more people to move and assemble the workbench.
2. Please prepare a carpet or mat to protect your floor. You need to spread out all the accessories.
3. Please prepare gloves to avoid being scratched by sharp parts that may occur during installation.
4. Please open all the boxes to check that the accessories are complete and in good condition.
5. If you need to use power tools to install this product, please set the speed to low speed in advance.
6. When installing please align all the holes and do not tighten all the screws first; otherwise, it may make the installation difficult.

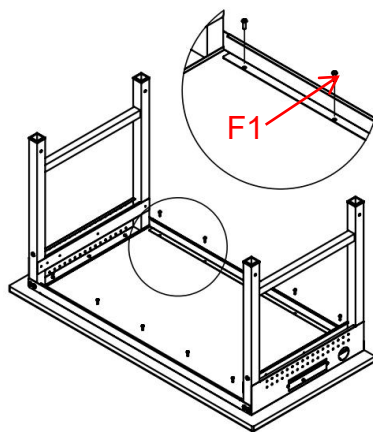
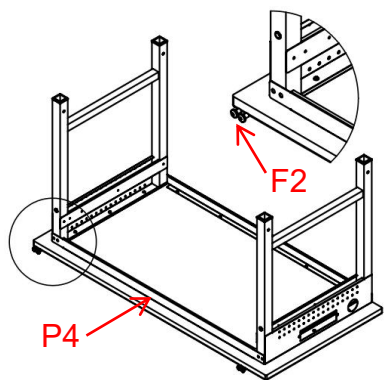
TOOLS REQUIRED (NOT INCLUDED): Philips head screwdriver, and a bubble level, an adjustable wrench, a rubber hammer etc.,

Installation:

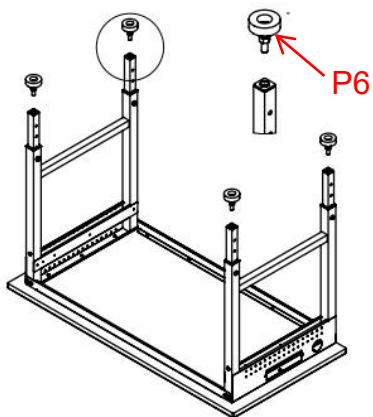
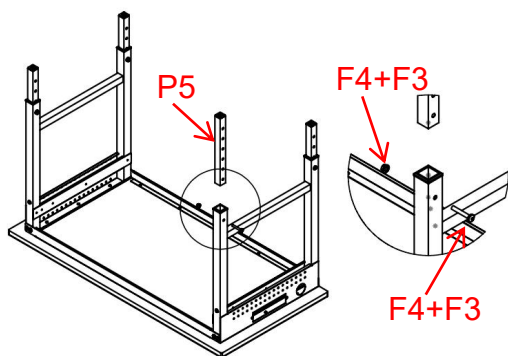
STEP 1: Install desktop and supports



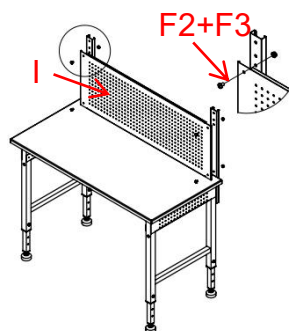
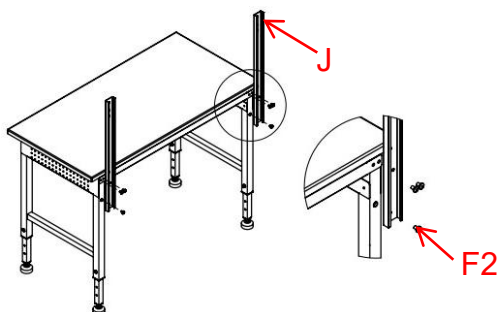
STEP 2: Install front and rear baffles



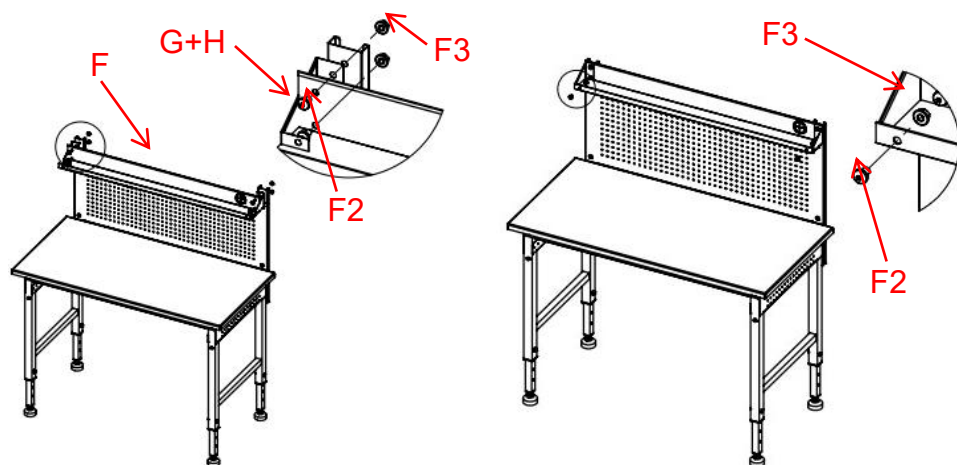
STEP 3: Install telescopic legs



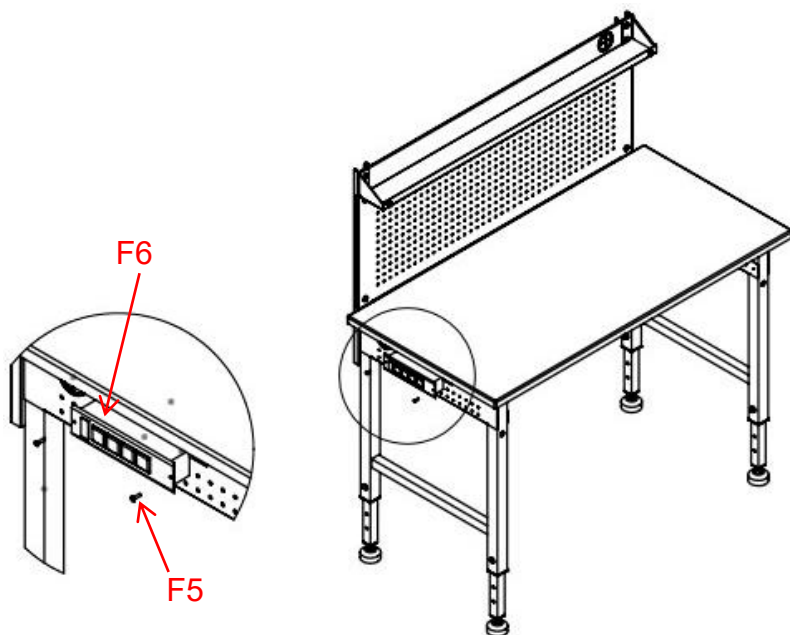
STEP 4: Install the pegboard



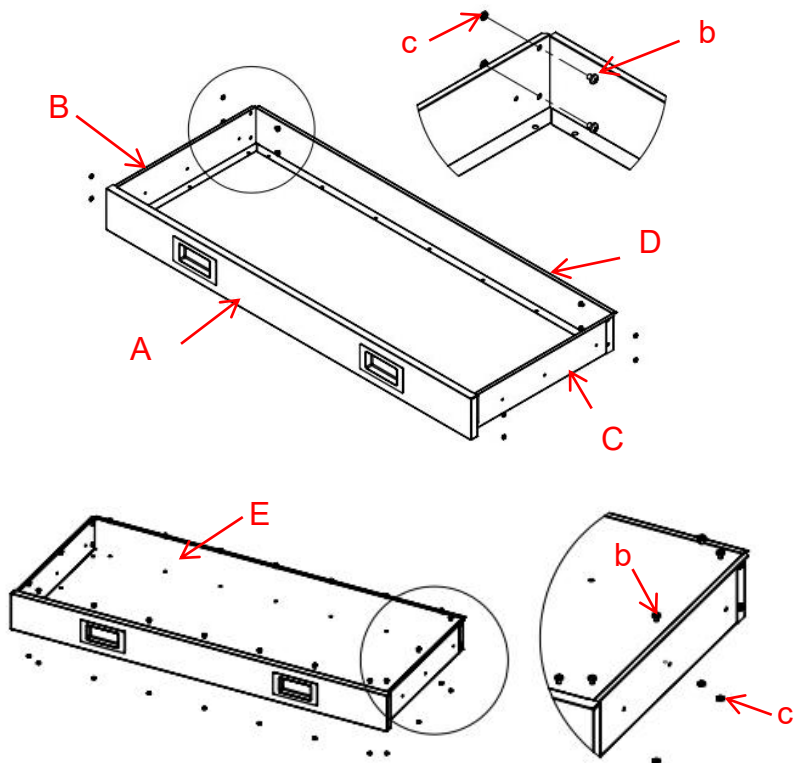
STEP 5: Install upper slots



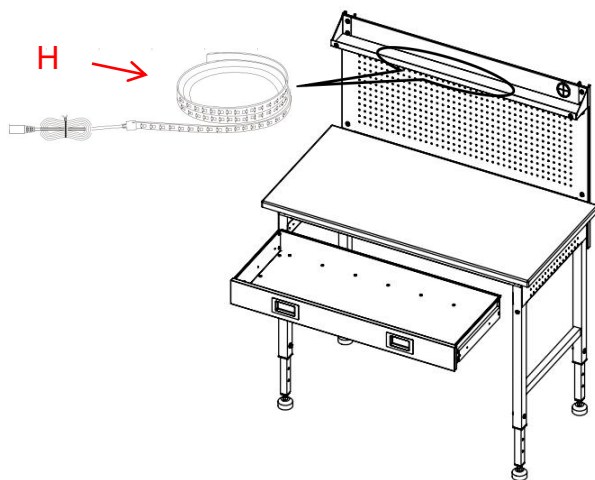
STEP 6: Install power strip and LED light strips attached to the top shelf.



STEP 7: Mount the drawer.



STEP 8: Paste LED strip and plug it in(if needed), and then installation is complete.



**NOTE: Do not bend LED strip light to a diameter less than 1.5 inches.
Do not fold,crease,or twist LED strip light.
Do not bend LED strip light on a horizontal plane.
Do not put excessive pressure on surface of tape light.
Do not cover strip light with any materials.
Do not wind the LED strip when it is powered on .**

MAINTENANCE

1. Please try to avoid putting wet items on desktop.
2. Dust off regularly with a clean rag, and arrange items neatly on desktop.
3. Don't let it sit in the sun for too long.
4. Check the table regularly to prevent screws from loosening and falling off.

Correct Disposal



This product is subject to the provision of european Directive 2012/19/EU. The symbol showing a wheelie bin crossed through indicates that the product requires separate refuse collection in the European Union. This applies to the product and all accessories marked with this symbol.

Products marked as such may not be discarded with normal domestic waste, but must be taken to a collection point for recycling electrical and electronic

Manufacturer: Shanghaimuxinmuyeyouxiangongsi

Address: Shuangchenglu 803nong11hao1602A-1609shi, baoshanqu, shanghai 200000 CN.

Imported to AUS: SIHAO PTY LTD, 1 ROKEVA STREETEASTWOOD NSW 2122 Australia

Imported to USA: Sanven Technology Ltd., Suite 250, 9166 Anaheim Place, Rancho Cucamonga, CA 91730

EC	REP
-----------	------------

E-CrossStu GmbH
Mainzer Landstr.69, 60329 Frankfurt am Main.

UK	REP
-----------	------------

YH CONSULTING LIMITED.
C/O YH Consulting Limited Office 147, Centurion House,
London Road, Staines-upon-Thames, Surrey, TW18 4AX

VEVOR®

TOUGH TOOLS, HALF PRICE

Technical Support and E-Warranty Certificate

www.vevor.com/support