

VEVOR[®]

TOUGH TOOLS, HALF PRICE

Technical Support and E-Warranty Certificate www.vevor.com/support

DOME TUNNEL GREENHOUSE USER MANUAL

We continue to be committed to provide you tools with competitive price.

"Save Half", "Half Price" or any other similar expressions used by us only represents an estimate of savings you might benefit from buying certain tools with us compared to the major top brands and does not necessarily mean to cover all categories of tools offered by us. You are kindly reminded to verify carefully when you are placing an order with us if you are actually saving half in comparison with the top major brands.

VEVOR[®]

TOUGH TOOLS, HALF PRICE

DOME TUNNEL GREENHOUSE

Model: 15*7*7 ft (Green)
15*7*7 ft (White)



NEED HELP? CONTACT US!

Have product questions? Need technical support? Please feel free to contact us:

Technical Support and E-Warranty Certificate
www.vevor.com/support

This is the original instruction, please read all manual instructions carefully before operating. VEVOR reserves a clear interpretation of our user manual. The appearance of the product shall be subject to the product you received. Please forgive us that we won't inform you again if there are any technology or software updates on our product.

GENERAL SAFETY RULES

WARNING:

1. Please read this manual carefully before using the product.
2. Flammable: Keep away from open flame. This product will ignite and burn if brought into contact with an open flame.
3. Keep away from sharp points, blades and other items, so as not to scratch the product.
4. This product is not a toy, dome tunnel greenhouse cannot be used as toys for children to play with.
5. Keep away from rain, water, hail, etc. to avoid damaging the documents in your bag .

SAVE THESE INSTRUCTION

SPECIFICATIONS

Model	15*7*7 ft (Green)
Product Size	4.5×2×2m
Color	Green

Model	15*7*7 ft (White)
Product Size	4.5×2×2m
Color	White

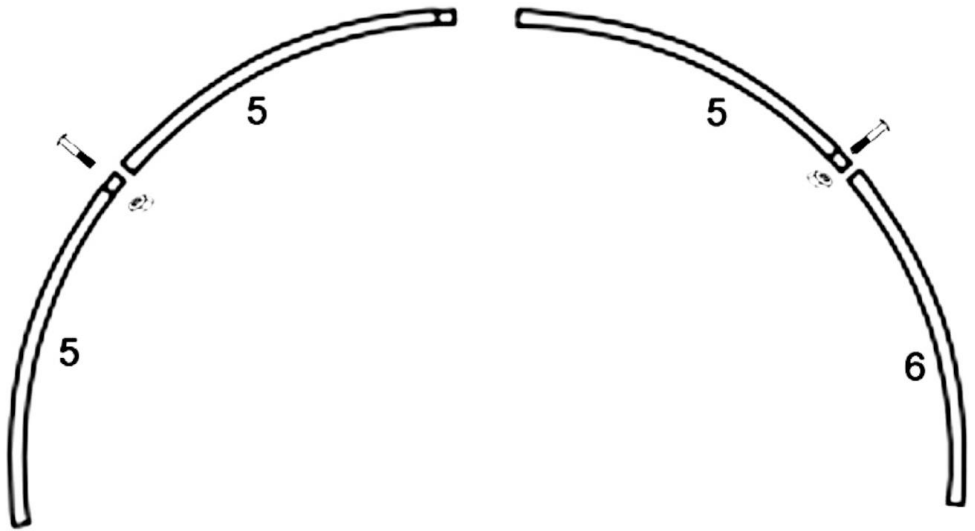
Please carefully follow assembly instruction. Suggested 2-4 person to construction.

COMPONENTS

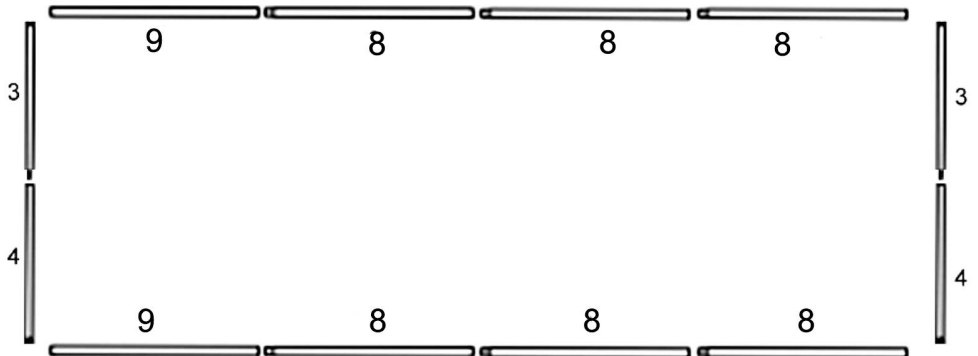
NO.	1	2	3	4	5	6	7	7A	8	9	10	11	12	13	14	15	16	17	18
	4PCS	6PCS	2PCS	2PCS	15PCS	5PCS	2PCS	2PCS	15PCS	5PCS	29PCS	14PCS	43PCS	1PC	1PC	4PCS	4PCS	1PC	10PCS

Assembly Instructions

STEP1 Main Structure



Assemble each 4 sets No.5+No.5 together, make them into one part first, use the shorter bolts, put the curve tube on the flat ground, make both tubes horizontal, then tighten the nuts. And assemble for 4 sets No.5+No.6 in the same way.

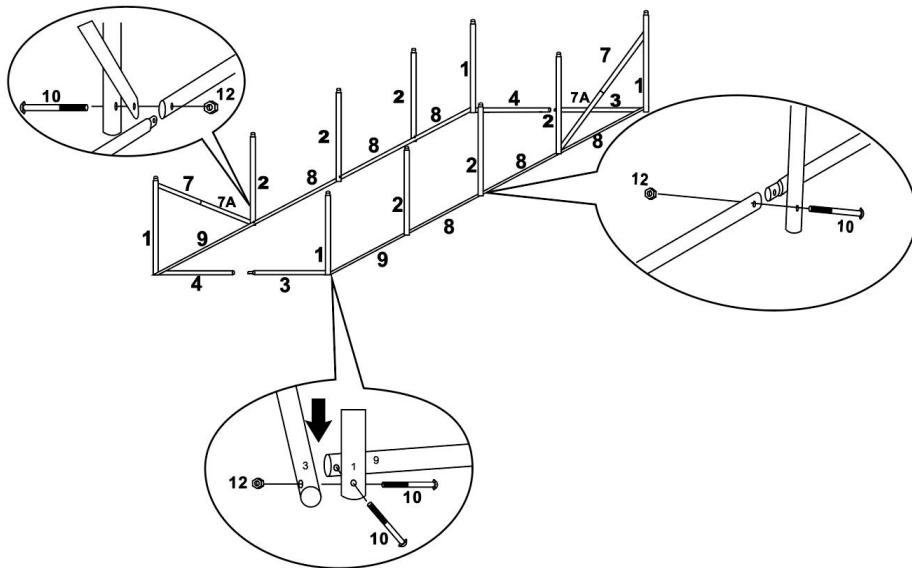


Assemble for 2 sets floor tubes No3+ No4 use the shorter bolts, and the horizontal frame No9+No8+No8+No8 together.



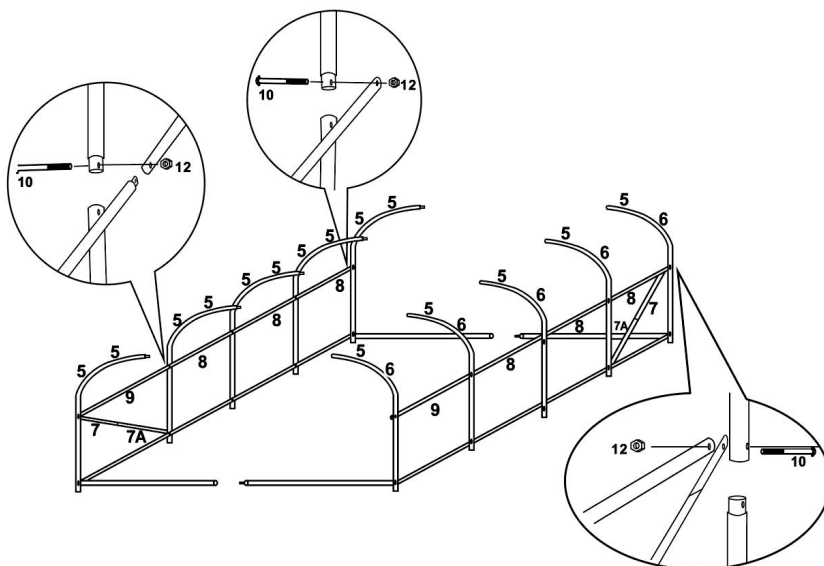
Assemble for 2 sets support diagonal tubes No7 + No7A use the shorter bolts.

STEP2



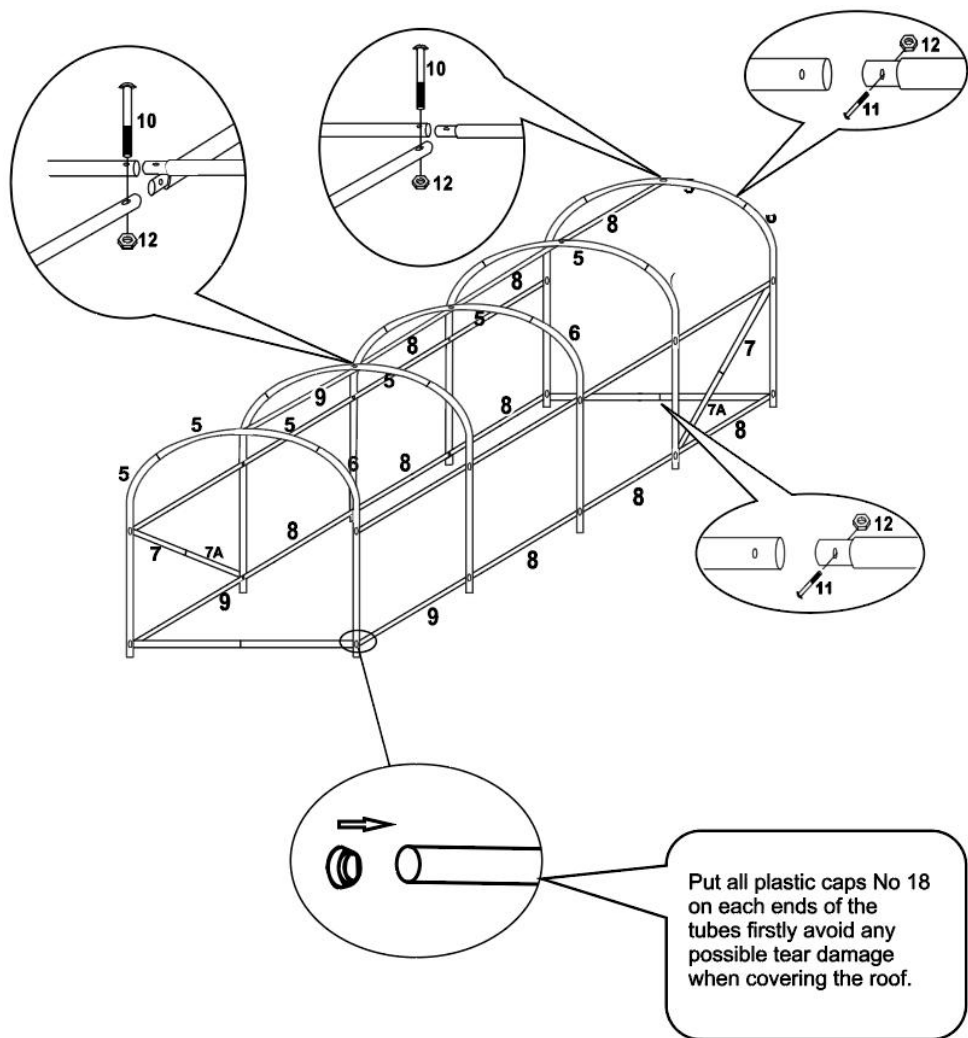
Loosely assemble complete frame, before tightening all bolts in final position.

STEP3



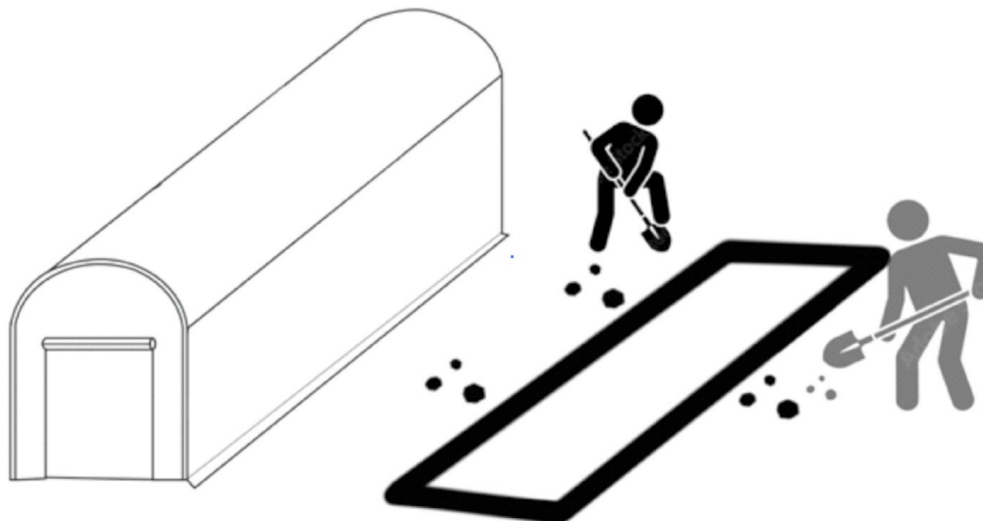
Loosely assemble complete frame, before tightening all bolts in final position.

STEP4



Loosely assemble completed frame before tightening all bolts in final position.

STEP5

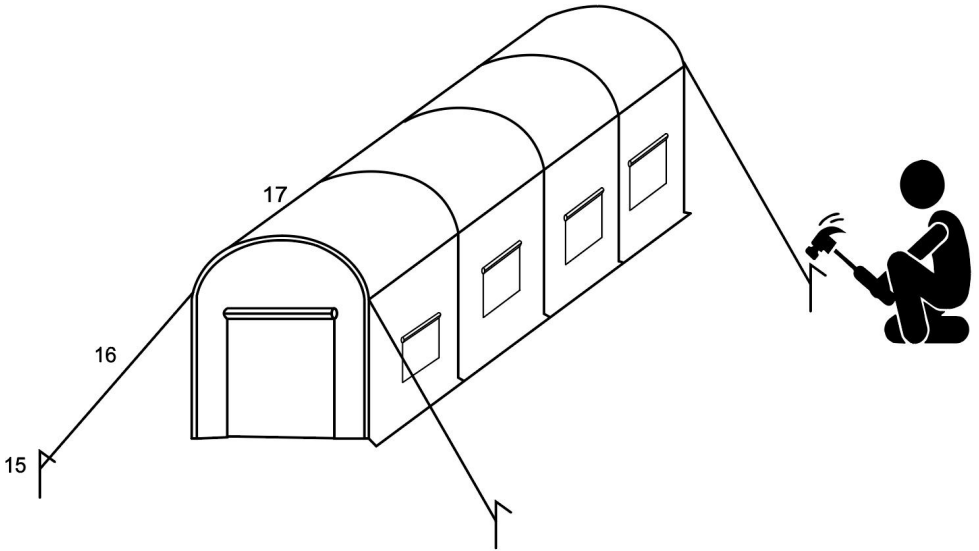


For maximum stability of your polytunnel, we recommend digging a 20cm width trench around the base of the polytunnel and back.



Put the frame inside the trench, filling with the soil.

STEP6



Tied the string in the back of the cover to the frame. Use the ropes and stakes for four corners of the greenhouse, to reinforce the stability of it.

WARNING

Covering the roof carefully, puts all places in the right position. As much as possible as not make the frame structure of the greenhouse out of the shape.

Do not use it in bad weather conditions, such as a rainstorm, hailstone, heavy snow, and heavy wind.

Manufacturer: Shanghaimuxinmuyeyouxiangongsi

Address: Shuangchenglu 803nong11hao1602A-1609shi, baoshanqu,
shanghai 200000 CN.

EC REP: E-CrossStu GmbH.

Mainzer Landstr.69, 60329 Frankfurt am Main.

UK REP: YH CONSULTING LIMITED.

C/O YH Consulting Limited Office 147, Centurion House, London Road,
Staines-upon-Thames, Surrey, TW18 4AX

Imported to AUS: SIHAO PTY LTD.

1 ROKEVA STREETEASTWOOD NSW 2122 Australia

Imported to USA: Sanven Technology Ltd.

Suite 250, 9166 Anaheim Place, Rancho Cucamonga, CA 91730

VEVOR[®]

TOUGH TOOLS, HALF PRICE

Technical Support and E-Warranty Certificate

www.vevor.com/support