

VEVOR[®]

TOUGH TOOLS, HALF PRICE

Technical Support and E-Warranty Certificate www.vevor.com/support

SPREADER USER MANUAL

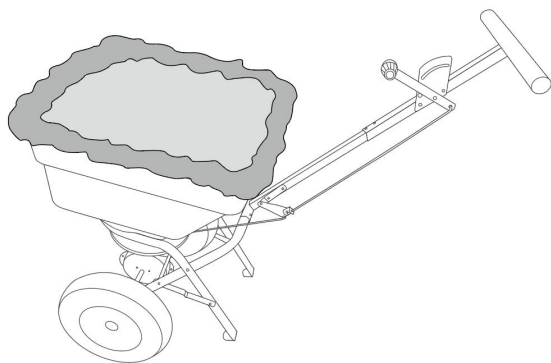
We continue to be committed to provide you tools with competitive price. "Save Half", "Half Price" or any other similar expressions used by us only represents an estimate of savings you might benefit from buying certain tools with us compared to the major top brands and does not necessarily mean to cover all categories of tools offered by us. You are kindly reminded to verify carefully when you are placing an order with us if you are actually saving half in comparison with the top major brands.

VEVOR[®]

TOUGH TOOLS, HALF PRICE

SPREADER

Model: GT1505B



Scan the code to watch
the installation video.



c

NEED HELP? CONTACT US!

Have product questions? Need technical support? Please feel free to contact us:

Technical Support and E-Warranty Certificate
www.vevor.com/support

This is the original instruction, please read all manual instructions carefully before operating. VEVOR reserves a clear interpretation of our user manual. The appearance of the product shall be subject to the product you received. Please forgive us that we won't inform you again if there are any technology or software updates on our product.

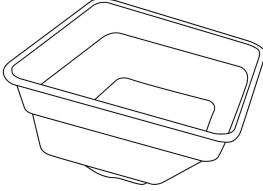
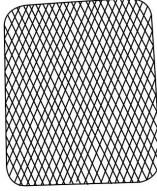
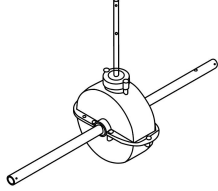
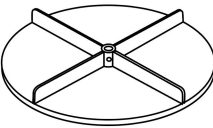
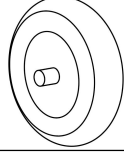
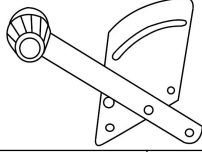
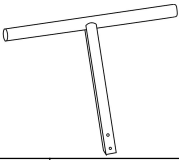
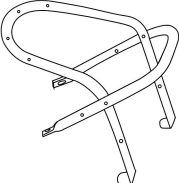
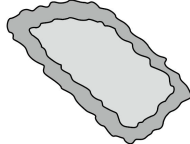
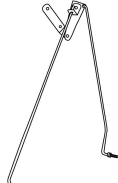
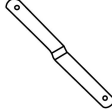

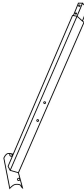

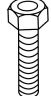
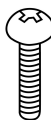
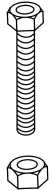
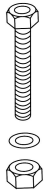
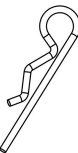
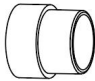




IMPORTANT NOTE:

Do not overload the hopper. Lightweight filters and potting mixers are recommended.

SPECIFICATIONS

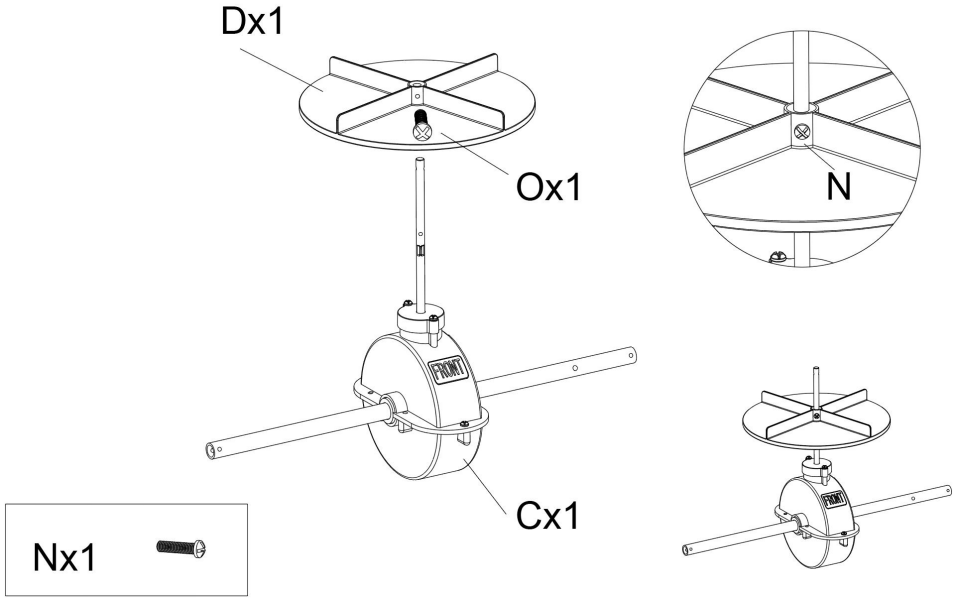
| | |
|---------------|----------------|
| Model | GT1505B |
| Product Size | 1145×545×830mm |
| Color | Black |
| Load Capacity | 100Lb |

COMPONENTS

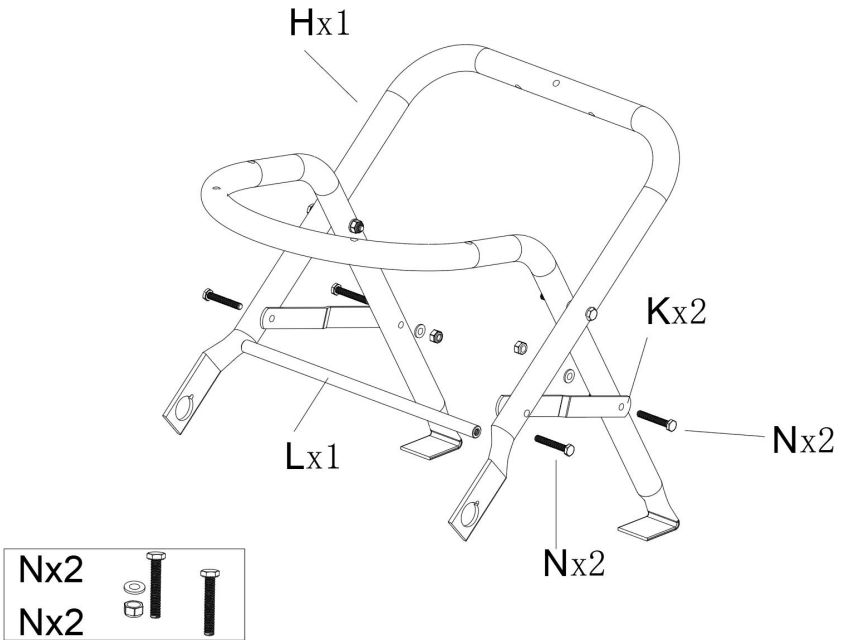
| | | | | | | | | | | | |
|--|--|--|--|--|--|---|--|---|--|---|--|
| <p>A×1 Hopper and control cable</p>  | | <p>B×1 Hopper screen</p>  | | <p>C×1 Gear and axle assembly</p>  | | | | | | | |
| <p>D×2 Impeller</p>  | | <p>E×2 Wheel</p>  | | <p>F×1 Control switch</p>  | | <p>G×1 Handle</p>  | | | | | |
| <p>H×1 Wheel frame</p>  | | <p>I×1 Rain cover</p>  | | <p>J×1 Control rod</p>  | | <p>K×2 Junction plate</p>  | | <p>L×1 Solid axle</p>  | | | |
| <p>M×1 Connecting handle</p>  <p>M6×35</p> | | <p>N×11 Bolt</p>  <p>M6×40</p> | | <p>N×2 Bolt</p>  <p>M6×40</p> | | <p>O×1 Bolt</p>  <p>M4×20</p> | | <p>P×4 Bolt</p>  <p>M6×45</p> | | <p>Q×1 Bolt</p>  <p>M5×45</p> | |
| <p>R×1 R pin</p>  | | <p>S×2 Out washer</p>  | | <p>T×2 Inner bushing</p>  | | <p>U×4 Washer</p>  | | <p>V×2 pin</p>  | | <p>W×2 Alex end cap</p>  | |

Installation instructions:

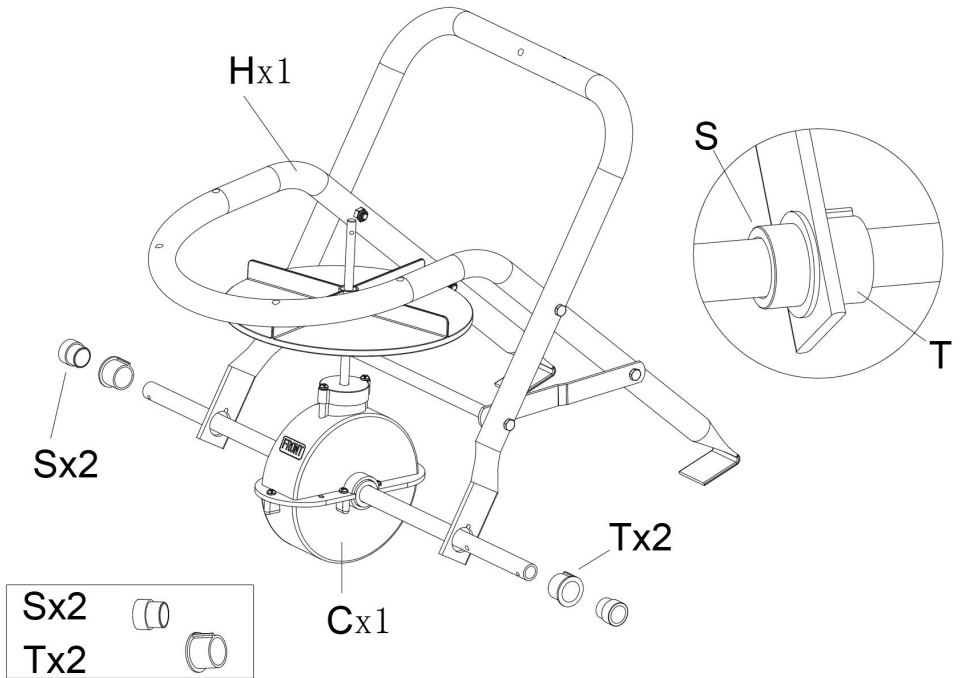
① Install the gear & axle assembly and Impeller.



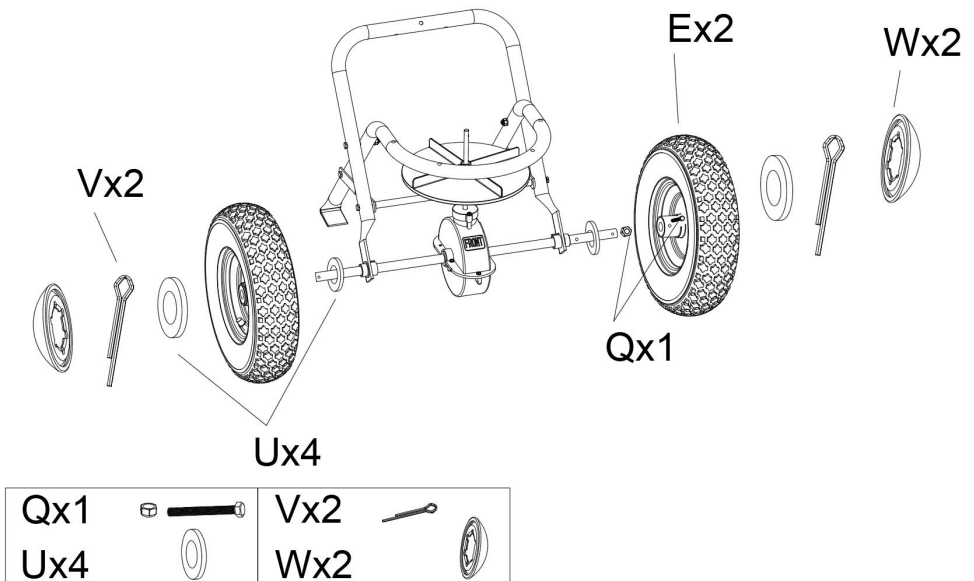
② Install the Wheel frame.



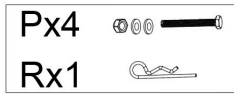
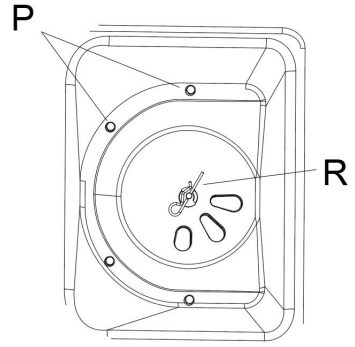
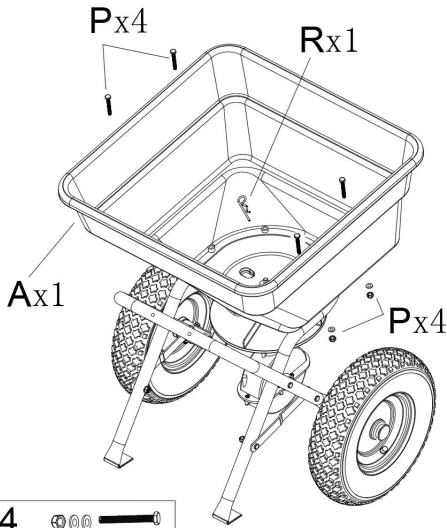
③ Install the Out bushing and Inner bushing.



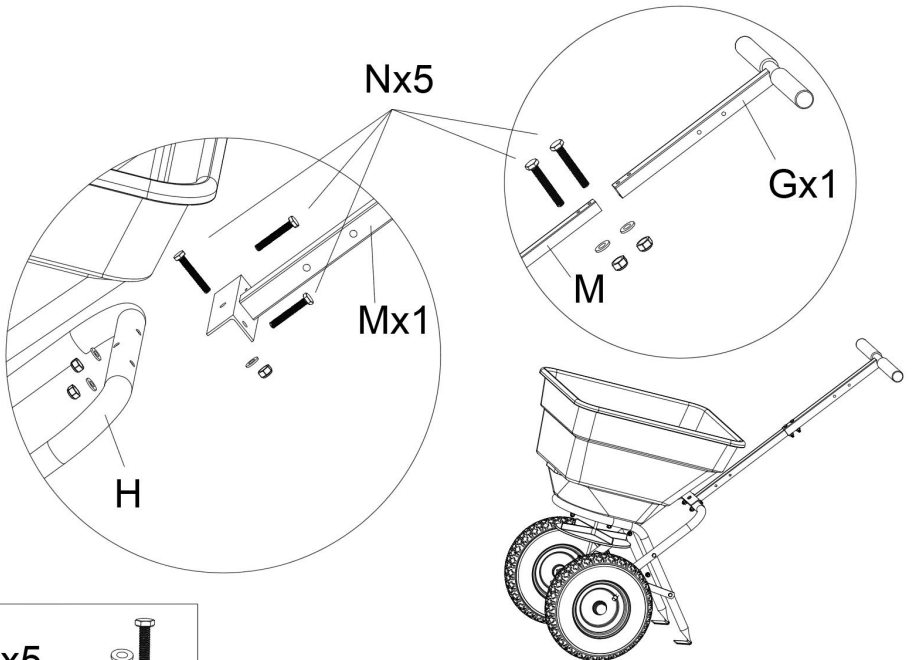
④ Install the wheels.



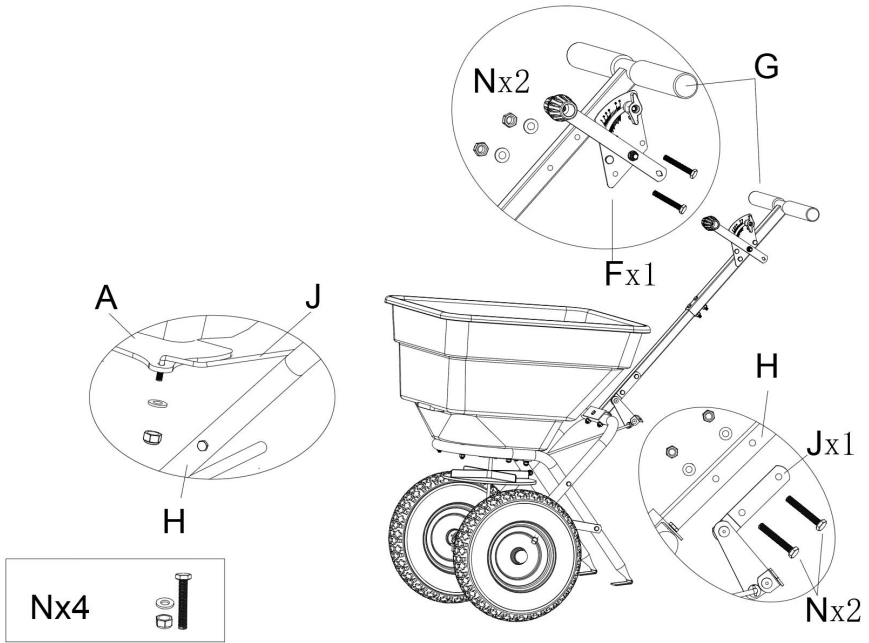
⑤ Install the Hopper.



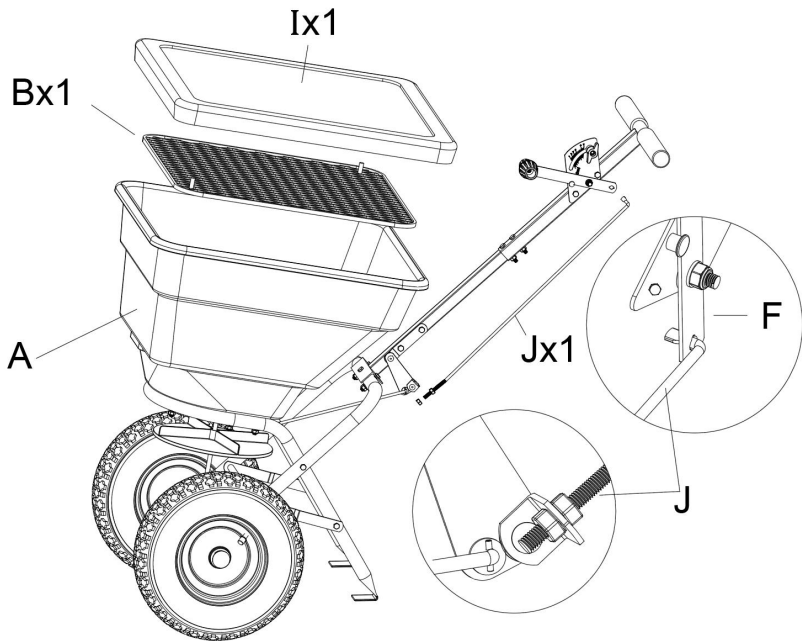
⑥ Install the Support leg and Handle.



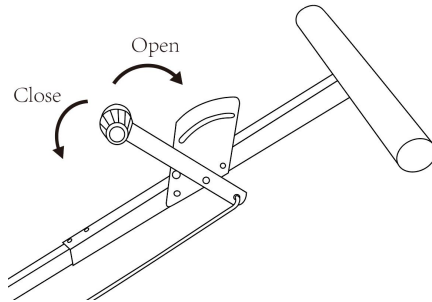
⑦ Install the Control cable.



⑧ Install the Hopper screen and Rain Cover.



USING YOUR SPREADER



HOW TO USE THE SPREADER TROLLEY

TO CLOSE- Push the Control Lever forward until it stops against button.

TO OPEN- Pull the control Lever fully back toward Operator.

Follow the instructions provided by the manufacturer of the spreading material.

NOTE: Make sure that the spreading material is evenly distributed. The spreading material must be dry.

1. Before feeding in the spreading material, set the dispensing lever to the OFF position (dispensing flap closed).
2. Fill the spreader trolley hopper.
3. To adjust the volume of spread, set the dispensing lever to the desired position.
4. In order to spread or scatter the material, drive the spreader trolley at an even speed (the higher the speed, the greater the scattering distance).
5. Close the dispensing flap as soon as you stop the spreader trolley (dispensing lever in OFF position).

SPREADING INSTRUCTIONS

CALCULATING AMOUNT OF MATERIAL NEEDED

To calculate the amount of fertilizer you will need to cover your lawn, divide the coverage amount listed on the label by the weight of the fertilizer bag. For example a 10LB. bag of fertilizer with coverage of 10,000 square feet will distribute 1LB. of fertilizer every 1,000 square feet at full rate or 1/2LB. of fertilizer every 1,000 square feet at half rate. For pre-calculated rates see **Chart A** (Example: 25LB. bag with 15,000 sq. ft. coverage = 1.7LB./1,000 sq. ft.). Use **Chart B** to find the closest spreader setting (Example: 1.7LB./1000 sq. ft. = Spreader Setting of 8).

Chart A - Square Foot Coverage per Bag*

| Weight of Bag (LBS.) | LBS/1,000 SQ FT | | |
|----------------------|----------------------|-----------------------|-----------------------|
| | 5,000 SQ FT COVERAGE | 10,000 SQ FT COVERAGE | 15,000 SQ FT COVERAGE |
| 5 | 1.0 LB. | 0.5 LB. | 0.3 LB. |
| 10 | 2.0 LB. | 1.0 LB. | 0.7 LB. |
| 15 | 3.0 LB. | 1.5 LB. | 1.0 LB. |
| 20 | 4.0 LB. | 2.0 LB. | 1.3 LB. |
| 25 | 5.0 LB. | 2.5 LB. | 1.7 LB. |
| 30 | 6.0 LB. | 3.0 LB. | 2.0 LB. |
| 35 | 7.0 LB. | 3.5 LB. | 2.3 LB. |
| 40 | 8.0 LB. | 4.0 LB. | 2.7 LB. |
| 45 | 9.0 LB. | 4.5 LB. | 3.0 LB. |
| 50 | 10.0 LB. | 5.0 LB. | 3.3 LB. |
| 55 | 11.0 LB. | 5.5 LB. | 3.7 LB. |

*These are only estimates actual amounts may vary.

Chart B - Spreader Settings/Spread Widths

| MULTI-USAGES | LBS/1,000 SQ FT | SPREADER SETTING | SMALL PARTICLE SPREAD | MEDIUM PARTICLE SPREAD | LARGE PARTICLE SPREAD |
|---|-----------------|------------------|-----------------------|------------------------|-----------------------|
| FERTILIZER GRASS SEEDS ICEMELT | 1 | 5 | 5-6 FT. | 6-9 FT. | 9-12 FT. |
| | 2 | 8 | 5-6 FT. | 6-9 FT. | 9-12 FT. |
| | 3 | 10 | 5-6 FT. | 6-9 FT. | 9-12 FT. |
| | 4 | 13 | 5-6 FT. | 6-9 FT. | 9-12 FT. |
| | 5 | 15 | 5-6 FT. | 6-9 FT. | 9-12 FT. |
| | 6 | 18 | 5-6 FT. | 6-9 FT. | 9-12 FT. |
| | 7 | 20 | 5-6 FT. | 6-9 FT. | 9-12 FT. |
| | 8 | 23 | 5-6 FT. | 6-9 FT. | 9-12 FT. |
| | 9 | 25 | 5-6 FT. | 6-9 FT. | 9-12 FT. |
| | 10 | 28 | 5-6 FT. | 6-9 FT. | 9-12 FT. |
| | 11 | 30 | 5-6 FT. | 6-9 FT. | 9-12 FT. |

NOTE: DO NOT USE SALT.

Using salt in this spreader will damage the mechanism and shorten the life of the machine.

Manufacturer: Shanghaimuxinmuyeyouxiangongsi
Address: Shuangchenglu 803nong11hao1602A-1609shi, baoshanqu, shanghai
200000 CN.
EC REP: E-CrossStu GmbH.
Mainzer Landstr.69, 60329 Frankfurt am Main.
UK REP: YH CONSULTING LIMITED.
C/O YH Consulting Limited Office 147, Centurion House, London Road,
Staines-upon-Thames, Surrey, TW18 4AX
Imported to AUS: SIHAO PTY LTD.
1 ROKEVA STREETEASTWOOD NSW 2122 Australia
Imported to USA: Sanven Technology Ltd.
Suite 250, 9166 Anaheim Place, Rancho Cucamonga, CA 91730

VEVOR[®]

TOUGH TOOLS, HALF PRICE

Technical Support and E-Warranty Certificate

www.vevor.com/support