

VEVOR[®]

TOUGH TOOLS, HALF PRICE

Technical Support and E-Warranty Certificate www.vevor.com/support

GARAGE DOOR SPRING

MODEL: GZ-22/23/24/28/29/30

We continue to be committed to provide you tools with competitive price.

"Save Half", "Half Price" or any other similar expressions used by us only represents an estimate of savings you might benefit from buying certain tools with us compared to the major top brands and does not necessarily mean to cover all categories of tools offered by us. You are kindly reminded to verify carefully when you are placing an order with us if you are actually saving half in comparison with the top major brands.

VEVOR[®]

TOUGH TOOLS, HALF PRICE

GARAGE DOOR SPRING

MODEL: GZ-22/23/24/28/29/30



NEED HELP? CONTACT US!

Have product questions? Need technical support? Please feel free to contact us:

 CustomerService@vevor.com

This is the original instruction, please read all manual instructions carefully before operating. VEVOR reserves a clear interpretation of our user manual. The appearance of the product shall be subject to the product you received. Please forgive us that we won't inform you again if there are any technology or software updates on our product.

SAFETY INSTRUCTIONS

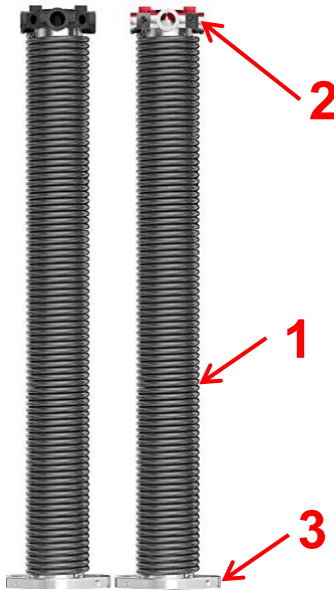
WARNING

1. Properly handle and install torsion springs, expansion springs, and other garage door hardware, otherwise, serious injury or death may occur!
2. Read and understand all the instructions before you start working.
3. Professional installation is recommended.
4. Do not attempt to install yourself unless you have the right tools, reasonable mechanical ability, experience, and upper arm strength.
5. Springs and accessories are under extreme tension at all times. All tension must be released from springs before any work is performed.
6. Pay attention to the safety of surrounding personnel during installation.

MODEL AND PARAMETERS







| Description Model | Wire Diameter x Inside Diameter x Length | Material |
|----------------------|--|------------------------|
| GZ-22 | 0.207x2x22inch | 82B & Cast Aluminum |
| GZ-23 | 0.218x2x23inch | |
| GZ-24 | 0.218x2x24inch | |
| GZ-28 | 0.25x2x28inch | |
| GZ-29 | 0.25x2x29inch | |
| GZ-30 | 0.25x2x30inch | |

STRUCTURE DIAGRAM

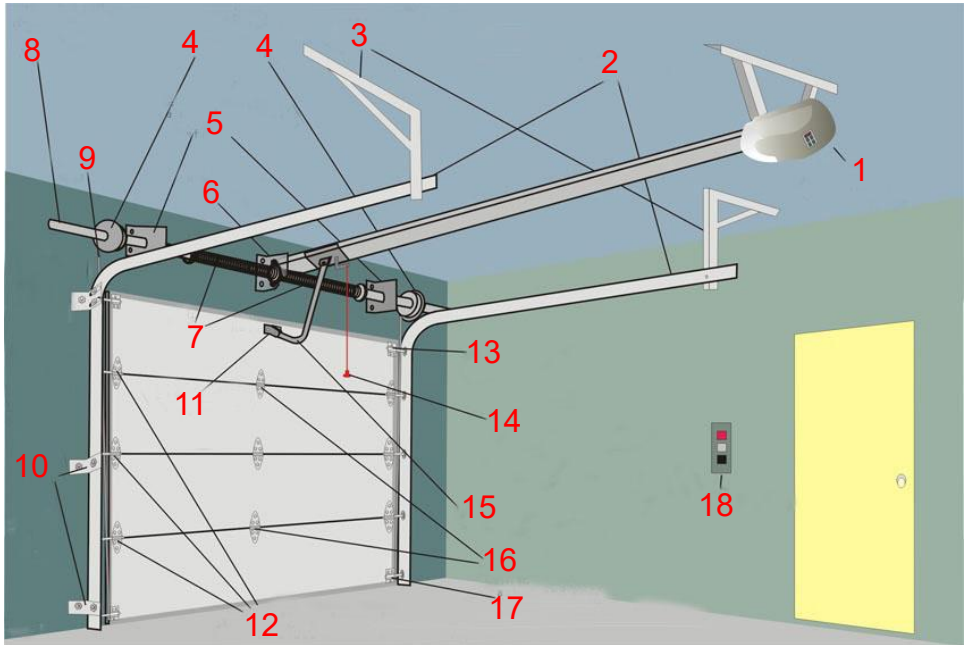


1. Torsion Spring 2.Regulating Block 3.Fixed Block

COMPONENTS

| No. | Pictu re | Name | Qty |
|-----|---|------------------------------|--------|
| 1 |  | Spring (Dextrorotary) | 1 |
| 2 |  | Spring (Levorotary) | 1 |
| 3 |  | Winding Bars | 2 |
| 4 |  | Gloves | 1 Pair |
| 5 |  | Mounting Wrench | 1 |
| 6 |  | User Manual | 1 |

PRODUCT USAGE



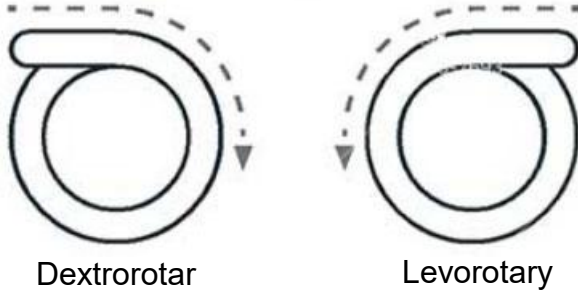
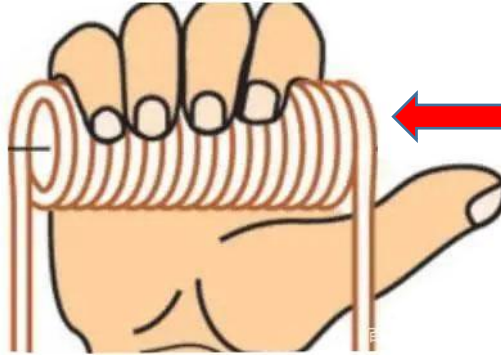
- 1.Door Machine 2.Horizontalguide Rail 3.Horizontalguide Rail Bracket
4.The Wire Wheel 5.Edge Shaft Shelf 6.Axis Shelf 7.Torsion Spring
8.Torsion Spring Shaft 9.Wire Rope 10.Verticalguide Rail Bracket
11.Door Stents 12.On both sides of the Hinge and Roller
13.Top Bracket and Roller 14.Emergency Release Shake Handhandle
15.Connecting Rod 16.Center Hinge 17.Bottom Bracket and Roller
18.Wall Button Switches

Levorotary/Dextrorotary Distinction:



L(Levorotary) / R(Dextrorotary)

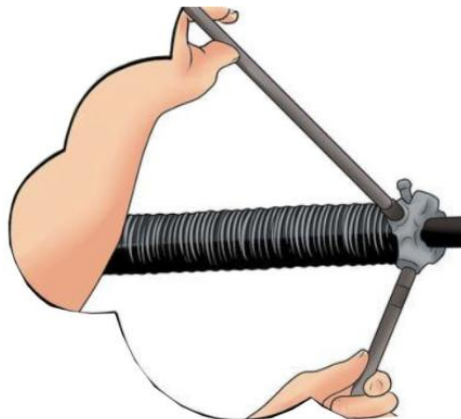
HELPFUL TRICK: Make an "O" with your index finger and thumb. Using the tip of your finger as the end of the wire, follow the direction down your finger and it will give you the direction the spring is coiled.



Dextrorotar

Levorotary

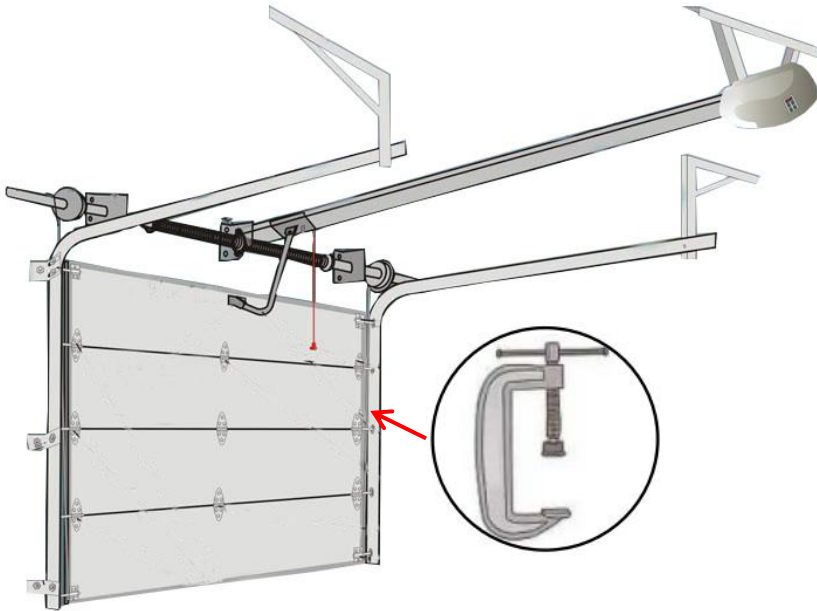
Adjust the Spring Tension: It is dangerous to adjust the torsion spring, please call a professional to adjust.



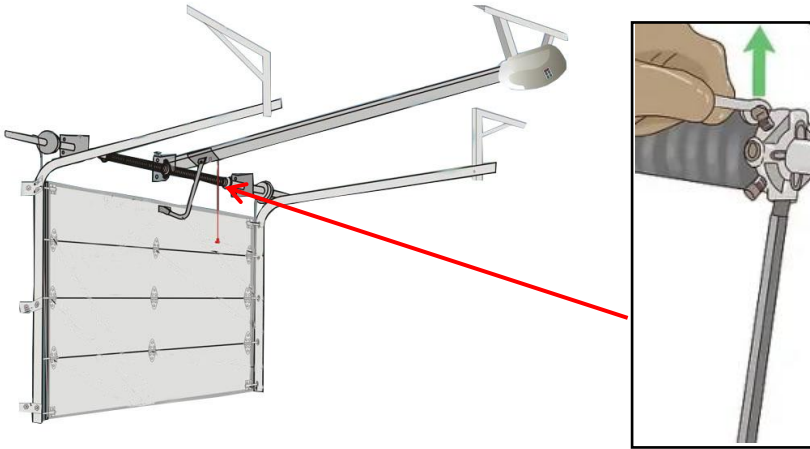
REMOVING THE OLD SPRINGS

⚠ WARNING

It is dangerous to remove the torsion spring. Please call a professional to operate.



1. Unplug the garage door opener and clamp the door to the track. Disconnect the garage door opener so the door remains closed. Use locking pliers or a C-clamp to secure the door to the track to keep it from opening when you release the tension on the springs.

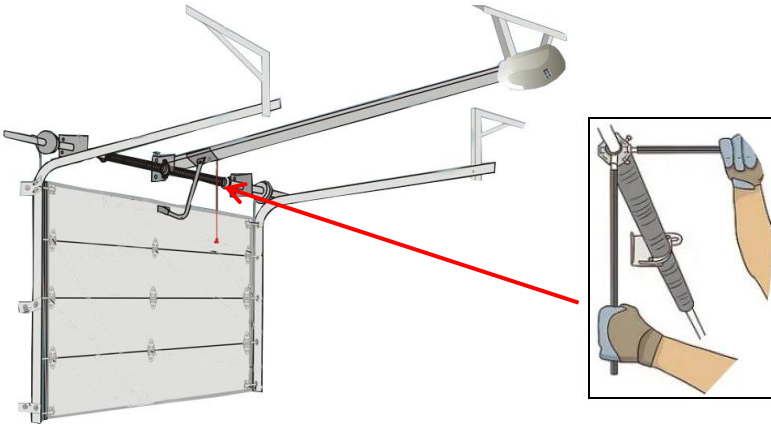


2. Loosen the set screws while holding each spring with a winding bar. Position a sturdy ladder to the side of the springs, rather than working directly in front of them, for safety reasons. Put on eye protection and leather gloves. Push a winding bar into the bottom hole of the winding cone on the outside of 1 spring. Use a wrench to loosen the 2 set screws. Keep a firm grip on the bar as the spring will expand powerfully as the screws are released. Repeat on the other side. To ensure the bars fit securely into the winding cone holes, file down the ends.

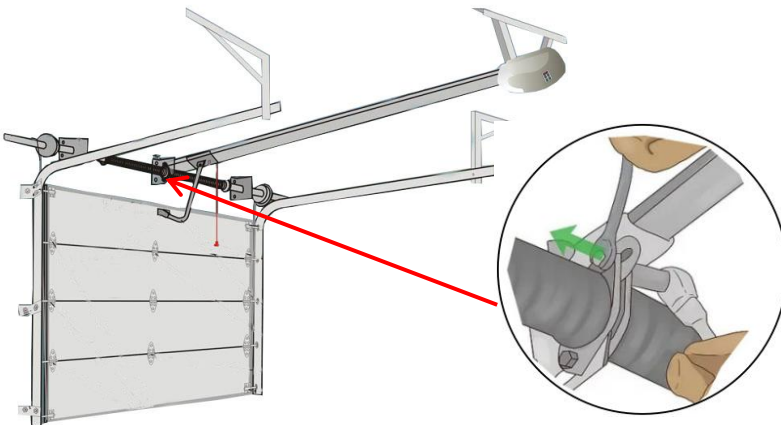
Note:

A: Using a screwdriver pin punch, or plier handles to unwind the bars could result in serious injury, as these tools aren't designed to hold the spring in place.

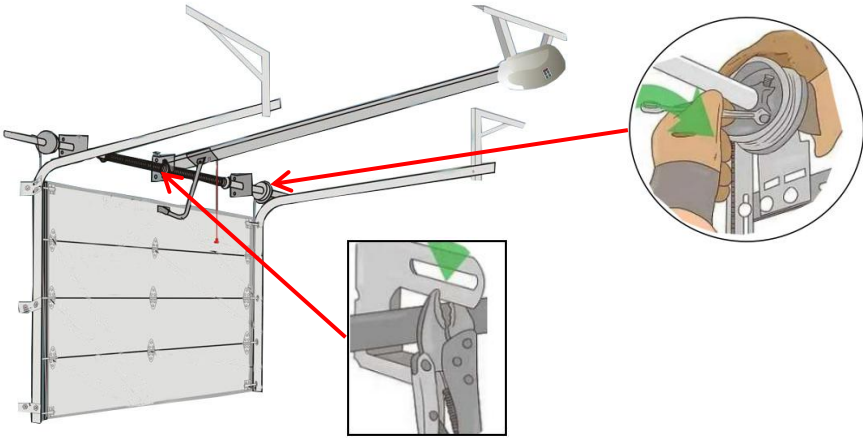
B: Avoid standing on a bucket or chair to reach the springs. Use a sturdy ladder to minimize the risk of injury.



3. Unwind each spring with the help of 2 winding bars. Position the second winding bar into a hole on the winding cone at a perpendicular angle to the first. Unwind the spring $\frac{1}{2}$ turn at a time moving 1 winding bar to the next open perpendicular position after each $\frac{1}{2}$ turn. Repeat on the other spring.



4. Remove the nuts and bolts, then slide the springs to the end bracket. Using a wrench, remove the 2 nuts and bolts that secure each spring cone to the center bracket. Then slide each spring toward the end bracket.



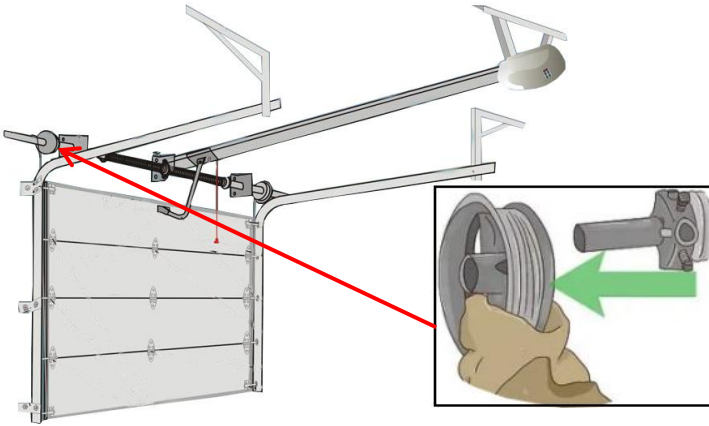
5. Secure the tube and remove the springs, cables, and cable drums. Use locking pliers or a C-clamp to secure the torsion tube to the center bracket to keep it from moving. Then, use a wrench to loosen the set screws on both lift cable drums. Disconnect the lift cables, then slide the cable drums and springs off the torsion tube.

Note: Securing the tube is an essential step that will prevent the tube from moving around and potentially injuring you, so be sure to fully lock the tube in place.

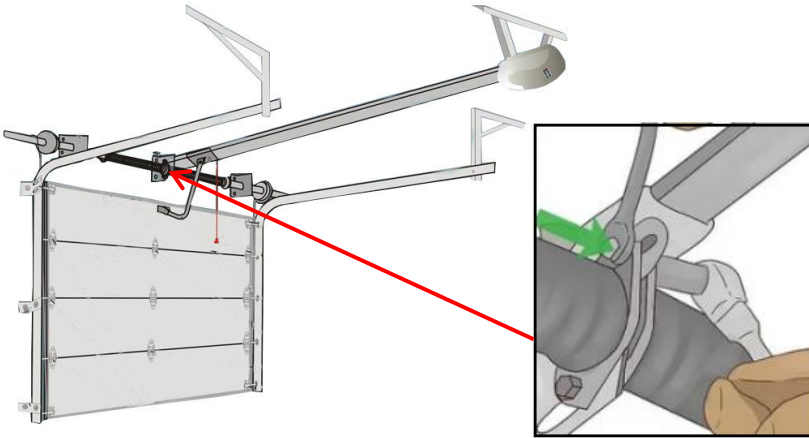
INSTALLING THE NEW SPRINGS

⚠ WARNING

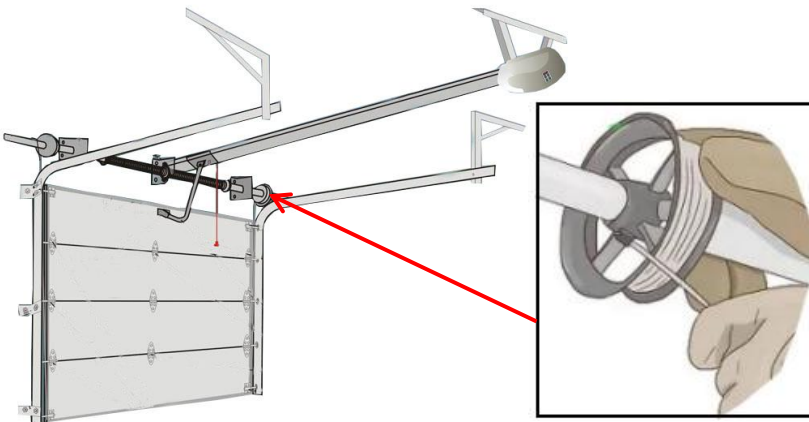
It is dangerous to install the torsion spring. Please call a professional to operate.



1. Slide the left spring onto the tube and add the cable drum. When your new springs arrive, put the new left spring on the torsion tube, making sure that the stationary cone on the end of the spring faces the center bracket. After sliding the new spring into place, replace the cable drum and insert the torsion bar into the left bearing bracket.



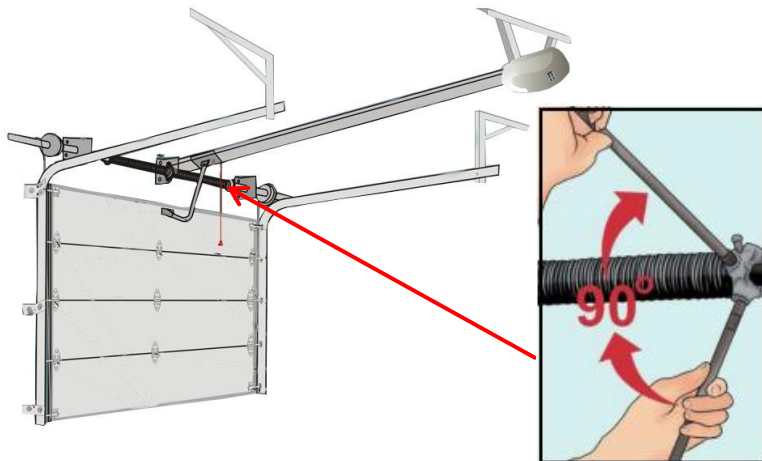
2. Install the center bearing and the right spring, then secure the cones. Slide the torsion bar to the left then add the center bearing. Slide the right spring onto the bar and press the bearing into the stationary cone. Connect both of the stationary cones to the center bracket with the nuts and bolts you removed previously. Remove the locking pliers or clamp from the center bracket.



3. Thread the cables and tighten the drums. Run the lift cable between the roller and the doorjamb. Slip the lift cable stop through the cable slot on the drum. Then attach locking pliers to the torsion tube to secure it in place. Spin the drum to wind the cable into the

grooves, then tighten the set screws. Repeat on the other side, leaving the locking pliers in place.

Note: For the door to operate properly, you need the same amount of tension on both sides, so take care to tighten each side evenly.



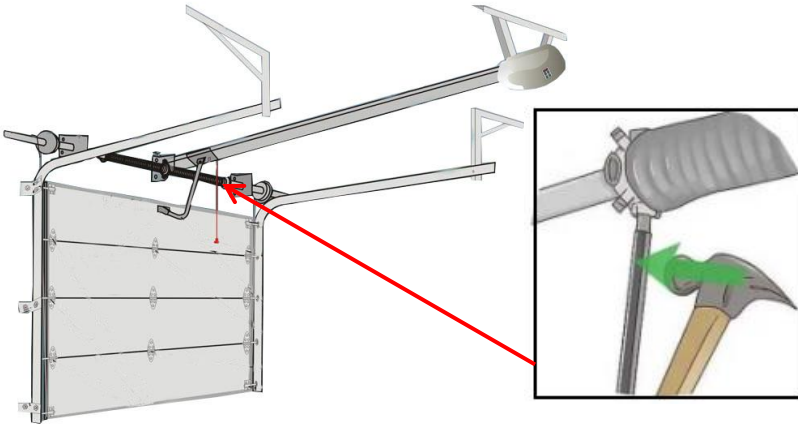
4. Wind the springs.

Insert 2 winding bars into the winding cone so they are perpendicular to each other. Use the bars to turn the spring $\frac{1}{4}$ turn at a time, moving the bars to new holes in the cone as necessary. Follow the supplier's recommendation for the number of turns to complete. Repeat on the other spring.

Note:

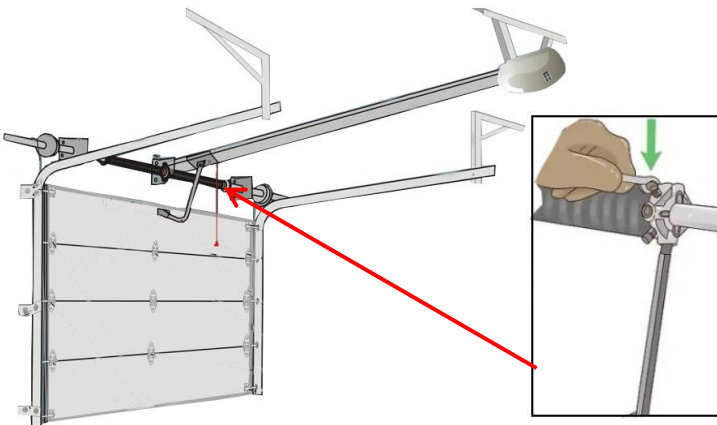
A: Generally, you'll need 30 quarter-turns for a 7 ft (2.1 m) tall door and 36 quarter-turns for an 8 ft (2.4 m) tall door.

B: Winding the spring too tight could cause it to break and injure you, so be sure to follow the supplier's recommendation and don't over-wind the spring.



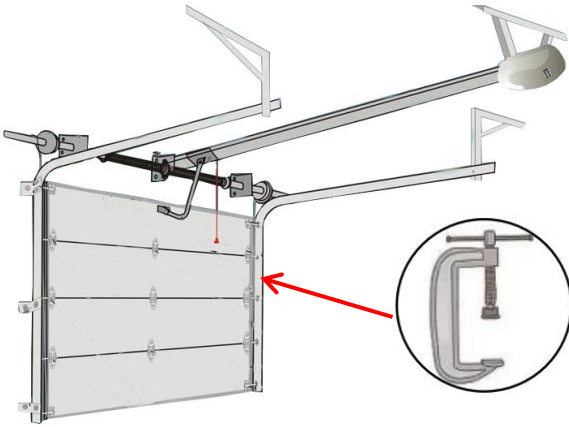
5. Stretch the springs out 1/4 inch (6.4mm).

When the spring is fully wound, leave 1 winding bar in a slot of the cone that is perpendicular to the floor. Tap the winding bar with a hammer to stretch the spring 1/4 inch (6.4mm) out from the center. Repeat on the other side.



6. Tighten the set screws.

Tighten each set screw until it contacts the torsion tube. Tightening the screws more than this could distort or puncture the torsion tube, so be sure to make less than 1 full rotation once the screws touch the torsion tube.



7. Remove the clamps or pliers.

It is now safe to remove the clamps or pliers you used to hold both the torsion bar and the garage door itself in place.

Note: When to add or unwind 1 or 2 quarter turn , must be hold on the clamps or pliers again.



8. Check the balance after installed.

Leave the door at half way position:

If the door moves up on itself, means torsion spring are wound too much, in this case, to unwind both of the torsion spring 1 or 2 quarter turn until the door balance itself.

MAINTENANCE

1. Use a neutral cleaner and a soft brush to clean the garage door several times a year.
2. Use a lightweight oil spray on all springs, hinges, rollers and pivot points at least once a year to allow your garage door to slide smoothly up and down.
3. Once a year, you should thoroughly inspect the electric garage door and tighten all screws, nuts or bolts that may be loose.
4. Using a cloth and a concentrated but non-corrosive cleaner, wipe down the garage door track and carefully clean all exposed parts of the roller to remove all excess moisture.

**Address: Baoshanqu Shuangchenglu 803long 11hao 1602A-1609shi
Shanghai**

**Imported to AUS: SIHAO PTY LTD, 1 ROKEVA STREET EASTWOOD
NSW 2122 Australia**

**Imported to USA: Sanven Technology Ltd., Suite 250, 9166
Anaheim Place, Rancho Cucamonga, CA 91730**

| | | |
|-----------|------------|---|
| EC | REP | SHUNSHUN GmbH Römeräcker 9 Z2021,76351 Linkenheim-Hochstetten, Germany |
| UK | REP | Pooledas Group Ltd Unit 5 Albert Edward House, The Pavilions Preston, United Kingdom |

VEVOR[®]

TOUGH TOOLS, HALF PRICE

TechnicalSupport and E-Warranty Certificate

www.vevor.com/support