

VEVOR[®]

TOUGH TOOLS, HALF PRICE

Technical Support and E-Warranty Certificate www.vevor.com/support

SCREW BOLT EXTRACTOR

USER MANUAL

MODEL: YM-35/YM-29/YM-48

We continue to be committed to provide you tools with competitive price. "Save Half", "Half Price" or any other similar expressions used by us only represents an estimate of savings you might benefit from buying certain tools with us compared to the major top brands and does not necessarily mean to cover all categories of tools offered by us. You are kindly reminded to verify carefully when you are placing an order with us if you are actually saving half in comparison with the top major brands.

VEVOR[®]

TOUGH TOOLS, HALF PRICE

SCREW BOLT EXTRACTOR

MODEL: YM-35/YM-29/YM-48



NEED HELP? CONTACT US!

Have product questions? Need technical support? Please feel free to contact us:

Technical Support and E-Warranty Certificate
www.vevor.com/support

This is the original instruction, please read all manual instructions carefully before operating. VEVOR reserves a clear interpretation of our user manual. The appearance of the product shall be subject to the product you received. Please forgive us that we won't inform you again if there are any technology or software updates on our product.

SAFETY INSTRUCTION AND PRECAUTIONS

⚠️WARNING:

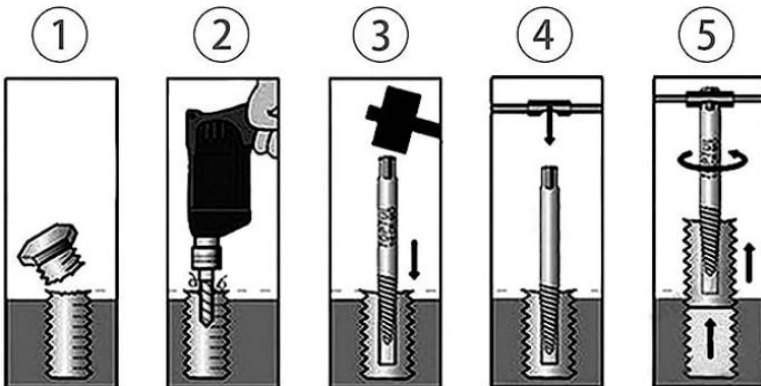
Read this material before using this product. Failure to do so can result in serious injury.

Assembly precautions

1. Assemble only according to these instructions. Improper assembly can create hazards.
2. Wear ANSI-approved safety goggles and heavy-duty work gloves during assembly.
3. Keep assembly area clean and well lit.
4. Keep bystanders out of the area during assembly.
5. Do not assemble when tired or when under the influence of alcohol, drugs or medication.

Bolt Extractor Use Steps

1. First check the bolt is due to what reason into the broken open.
2. Select proper gauge bit according to the diameter of the bolt.
3. In the center of the crack open, drilling holes.
4. Select the corresponding screw extractor insert.
5. Use the active wrench or power tool to turn anticlockwise and remove success.



Nut Extractor Use Steps



Step 1: Install the connecting rod on the electric drill bit and tighten it



Step 2: Select the required nut extractor size and install it on the connecting rod



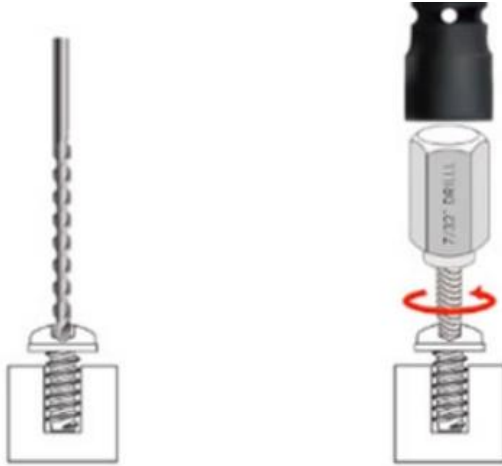
Step 3: Installation is completed

Clamp the hexagonal side with adjustable wrenches, spanners and vice grip pliers for easy turning.



Reverse Drill Bit Use Steps

1. select a bit thinner than the broken screw and drill a hole in the broken point.
2. select a suitable size and hole extractor, put into the hole, with wrench, sleeve, anti-clockwise rotation out.



	Items	Description
1	Name	Screw Bolt Extractor
2	Model	YM-35
3	Parameter	QTY: 35, Main materials: Cr-Mo/HSS4241
4	List	<p>Bolt Extractor (19PCS) : #1、#2、#3、#4、#5、#6; 1/8"、5/32"、3/16"、7/32"、1/4"、9/32"、5/16"、11/32"、3/8"、13/32"、7/16"、15/32"、1/2"</p> <p>Reverse Drill Bit (16PCS) : 7/64"、1/8"、1/8"、5/32"、3/16"、7/32"、1/4"、19/64"、9/32"、5/16"、11/32"、3/8"、13/32"、7/16"、15/32"、1/2"</p> <p>Give: 1、Drill Bit: 7/64"、1/8"; 2、Bolt Extractor: #1、#2</p>

	Items	Description
1	Name	Screw Bolt Extractor
2	Model	YM-29
3	Parameter	QTY: 29, Main materials: Cr-Mo
4	List	<p>Nut Extractor: 1/4" Square interface: 6mm、1/4" (6.2mm)、6.5mm、6.7mm、9/32" (7mm) 、7.2mm、7.5mm、7.7mm、5/16" (8mm) 、8.2mm、8.5mm、11/32" (8.7mm) 、9mm、9.2mm、3/8" (9.5mm) 、10mm</p> <p>Nut Extractor: 3/8" Square interface: 13/32" (10.5mm) 、7/16" (11mm) 、12mm、1/2" (12.5mm) 、13mm、14mm、9/16" (14.5mm) 、19/32" (15mm) 、5/8" (16mm) 、21/32" (17mm) 、11/16" (17.5mm) 、23/32" (18mm) 、3/4" (19mm)</p> <p>Give: 1、 Sleeve: 3/8" square to 1/4"、 1/4" square to 3/8"</p> <p>2、 Connecting rod: 3/8" square to 1/4"、 1/4" square to 1/4"</p>

	Items	Description
1	Name	Screw Bolt Extractor
2	Model	YM-48
3	Parameter	QTY: 48, Main materials: Cr-Mo/HSS4241
4	List	<p>Bolt Extractor (19PCS) : #1、#2、#3、#4、#5、#6、1/8"、 5/32"、3/16"、7/32"、1/4"、9/32"、5/16"、11/32"、3/8"、 13/32"、7/16"、15/32"、1/2"</p> <p>Reverse Drill Bit (16PCS) : 7/64"、1/8"、1/8"、5/32"、3/16"、 7/32"、1/4"、19/64"、9/32"、5/16"、11/32"、3/8"、13/32"、 7/16"、15/32"、1/2"</p> <p>Nut Extractor (13PCS) : 1/4"、5/16"、3/8"、10mm、7/16"、 12mm、1/2"、13mm、9/16"、5/8"、17mm、11/16"、3/4"</p> <p>Give: 1、Drill Bit: 7/64"、1/8"; 2、Bolt Extractor: #1、#2 3、Connecting rod: 3/8"square to1/4"</p>

MADE IN CHINA

VEVOR[®]

TOUGH TOOLS, HALF PRICE

Technical Support and E-Warranty Certificate

www.vevor.com/support