

VEVOR[®]

TOUGH TOOLS, HALF PRICE

Technical Support and E-Warranty Certificate www.vevor.com/support

ELECTRIC FINISH NAILERS

MODEL:T64B

We continue to be committed to provide you tools with competitive price.

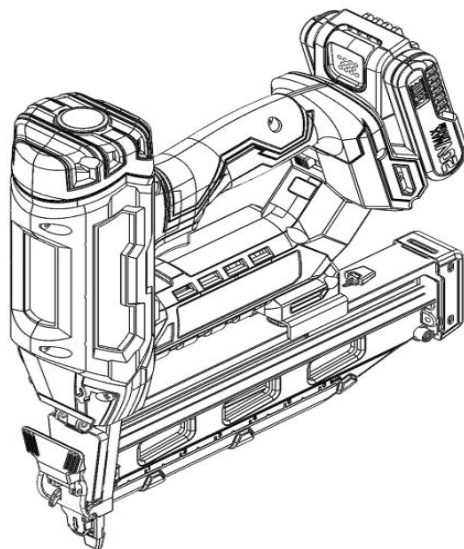
"Save Half", "Half Price" or any other similar expressions used by us only represents an estimate of savings you might benefit from buying certain tools with us compared to the major top brands and does not necessarily mean to cover all categories of tools offered by us. You are kindly reminded to verify carefully when you are placing an order with us if you are actually saving half in comparison with the top major brands.

VEVOR®

TOUGH TOOLS, HALF PRICE

ELECTRIC FINISH
NAILERS

T64B








NEED HELP? CONTACT US!

Have product questions? Need technical support? Please feel free to contact us:

Technical Support and E-Warranty Certificate
www.vevor.com/support

This is the original instruction, please read all manual instructions carefully before operating. VEVOR reserves a clear interpretation of our user manual. The appearance of the product shall be subject to the product you received. Please forgive us that we won't inform you again if there are any technology or software updates on our product.

GENERAL SAFETY RULES

Symbol	Symbol Description
	Warning - To reduce the risk of injury, user must read instructions manual carefully.
	This symbol, placed before a safety comment, indicates a kind of precaution, warning, or danger. Ignoring this warning may lead to an accident. To reduce the risk of injury, fire, or electrocution, please always follow the recommendation shown below.
	Warning- Be sure to wear gloves when using this product.
	Warning- Be sure to wear eye protectors when using this product.
	Disposal information: This product is subject to the provision of European Directive 2012/19/EC. The symbol showing a wheellie bin crossed through indicates that the product requires separate refuse collection in the European Union. This applies to the product and all accessories marked with this symbol. Products marked as such may not be discarded with normal domestic waste, but must be taken to a collection point for recycling electrical and electronic devices



General safety instructions

WARNING! Read all safety warnings and notes. Failure to follow the instructions listed below may result in electrical shock, fire and / or injury .

Retain the warning and safety information for the future.

The term "power tool" in the following warnings below refers to mains powered power tools (with power cord) or cordless power tools (without power cord) .

WORK AREA SAFETY

- a) **Keep the application area clean and well lit.** Unclean and dark areas lead to accidents .
- b) **Do not use power tools in explosive environments, such as in the presence of flammable liquids, gases or vapors.** Power tools generate sparks that can ignite the dust or vapors .
- c) **Keep children and bystanders away when operating the appliance.** Distractions can lead to loss of control over the device .

ELECTRICAL PROTECTIVE MEASURES

- a) **The plug of the power tool must be plugged into the socket. Never change the plug in any way. Do not use plug adapters with grounded power tools.** Unmodified plugs and sockets reduce the risk of electric shock .
- b) **Avoid body contact with grounded surfaces such as piping, radiators, stoves, and refrigerators.** There is an increased risk of electric shock if your body is grounded .
- c) **Do not expose electrical tools to rain or damp environments.** Water entering electrical tools increases the risk of electric shock .
- d) **Do not misuse the cable for any other purpose. Never pull on the cable or use it to unplug or to carry the tool. Keep the cable away from heat, oil, sharp edges or moving parts.** Damaged or entangled cables increase the risk of electric shock .
- e) **When using the power tool outdoors, use an appropriate extension cord.** The use of a cable suitable for outdoor use reduces the risk of electric shock .
- f) **If the use of the tool in a humid environment can not be avoided, use a power supply protected by an earth leakage circuit breaker.** The use of an RCCB reduces the risk of electric shock

PERSONAL SAFETY

- a) **Stay alert, focus on your work and use common sense when using the device. Do not use the device when you are tired or under the influence of drugs, alcohol or medication.** A moment of carelessness while operating the power tool can result in serious injury .
- b) **Use safety equipment. Always wear eye protection.** Suitable safety

equipment, such as dust masks, non-slip safety shoes, strong headgear, or ear protection used for such circumstances, reduces the personal injury risk .

c) Avoid unintentional starting. Make sure the power tool is turned off before plugging in the power and / or inserting, picking up or transferring the battery. If you have your finger on the switch when you are wearing the power tool or if you plug in the power to the unit, it may cause an accident .

d) Remove any adjustment wrench or wrench before starting the electric tool. A tool or key located in a rotating piece of equipment can cause injury .

e) Avoid an abnormal posture. Ensure a secure footing and maintain balance at all times. This ensures better control of the electrical device in unexpected situations .

f) Dress appropriately. Do not wear loose clothing or jewelry. Keep your hair, clothes and gloves away from moving parts. Loose clothes, jewelry or long hair can get caught in the moving parts .

g) If accessories are used for the dust extractor or collection device, make sure it is properly connected and in use. The use of such devices can reduce the risk of dust .

USE AND MAINTENANCE OF THE ELECTRIC TOOL

a) Do not use the electrical device by force. Use the right electrical tool for your application. With a suitable power tool you work better and safer in the specified power range .

b) Do not use a power tool whose switch is defective. A power tool that can not be turned on or off is dangerous and must be repaired .

c) Disconnect the plug from the mains socket and / or remove the battery before making device settings, changing accessories or putting the device away. Such precautionary measures reduce the risk of accidental starting of the power tool .

d) Store unused electrical tools out of the reach of children and do not allow persons who are unfamiliar with the device or this manual, to use the electrical tool. Electric devices in the hands of laymen are dangerous .

e) Maintain power tools with care. Check that moving parts are working properly and do not jam, that parts are broken or damaged enough to impair the functioning of the power tool. Have damaged parts repaired before using

the device. Many accidents are caused by poorly maintained electrical tools .

f) Use power tools, accessories, tools etc. according to these instructions. Take into account the working conditions and the activity to be performed.

The use of power tools for other than intended applications can lead to dangerous situations .

MAINTENANCE

a) Only have your power tool serviced by qualified personnel using only identical spare parts. This ensures the safe operation and maintenance of the electrical tool .

Tacker - Safety instructions

- **Always assume that there are staples in the tool.** Carefree handling of the stapler can cause unexpected stapling of the staples and cause injury .
- **Never point the tool at yourself or other people in the vicinity.** Unexpected removal may release a clip and cause injury .
- **Do not operate the power tool until it is firmly seated on the workpiece.** If the tool has no contact with the workpiece , the clip may bounce off the attachment site .
- **Disconnect the tool from the power supply or the battery when the clips are clamped inside the tool.** If the stapler is connected, it can be accidentally actuated when removing the hooked staples .
- **Be very careful when removing a fixed clip.** The system may be cocked and the clip ejected vigorously as you try to remove the jam .
- **Do not use this tacker for fixing electric cables.** The unit is not designed to be used to secure electrical wiring and may damage the insulation of electrical cables, causing electrical shock and fire hazards .

Maintenance and cleaning



Attention!

- Disconnect the power cable from the mains during maintenance and cleaning!
The electric box is maintenance free .
- Perform the cleaning regularly, ideally after each completed work, and use a dry,

lint-free cloth . Never use water or cleaning agents!

The cable connection of this device is Y Type . When replacing the cable, please contact the experts .

Disposal



The packaging is 100% environmentally friendly and can be disposed of through local recycling centers .



Do not throw power tools in the household waste!

You can find out about ways to dispose of the disused device at your municipality or city administration .

FCC information

CAUTION: Changes or modifications not expressly approved by the party responsible for compliance could void the user's authority to operate the equipment!

This device complies with Part 15 of the FCC Rules. Operation is subject to the following two conditions:

- 1) This product may cause harmful interference.
- 2) This product must accept any interference received, including interference that may cause undesired operation.

WARNING: Changes or modifications to this product not expressly approved by the party responsible for compliance could void the user's authority to operate the product.

Note: This product has been tested and found to comply with the limits for a Class B digital device pursuant to Part 15 of the FCC Rules, These limits are designed to provide reasonable protection against harmful interference in a residential installation.

This product generates, uses and can radiate radio frequency energy, and if not

installed and used in accordance with the instructions, may cause harmful interference to radio communications. However, there is no guarantee that interference will not occur in a particular installation. If this product does cause harmful interference to radio or television reception, which can be determined by turning the product off and on, the user is encouraged to try to correct the interference by one or more of the following measures.

- Reorient or relocate the receiving antenna.
- Increase the distance between the product and receiver.
- Connect the product to an outlet on a circuit different from that to which the receiver is connected.
- Consult the dealer or an experienced radio/TV technician for assistance.

FASTENERS LOADING METHOD

- Take K- ESG-T64B as an example

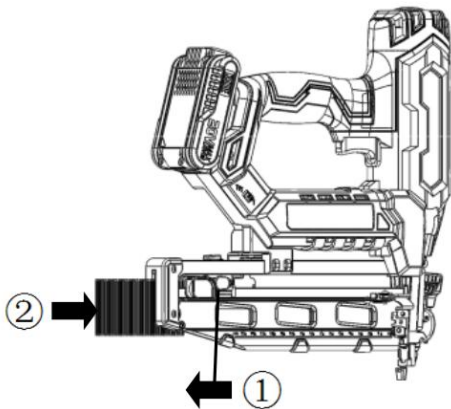


Photo 2

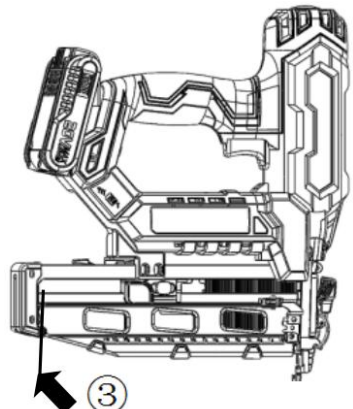


Photo 3

- a) Pull the pusher back to the end of the magazine. At this time, the pusher should be hung; (refer to photo 2)
- b) Insert the 16Ga finish nail from the rear hole of the magazine and feed it into the front end of the magazine. Press the button of the pushpin to push the nail to push the nail forward. (refer to photo 3)

Adjustable depth of drive (refer photo 4)

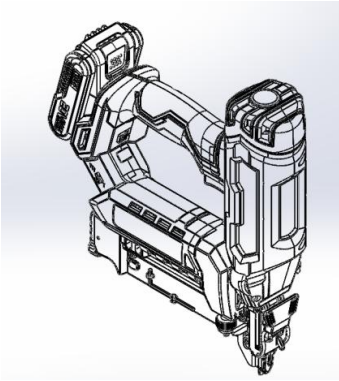


Photo 4

- a) Rotate the adjustment knob counterclockwise. At this time, the bumper moves toward the tip of the gun, and the nail will float out of the surface of the board;
- b) Rotate the adjustment knob clockwise. At this time, the bumper moves toward the handle, and the nail will sink into the surface of the board.

Selectable drive - Choose either sequential or single fire mode (photo 4)

- a) Switch to “T”— Single fire mode;
- b) Switch to “TTT”— Sequential fire mode

Dry fire defense

When there is no nail in the magazine or the specified number of remaining nails, the nail gun will not fire again to remind the operator to continue to put the nail

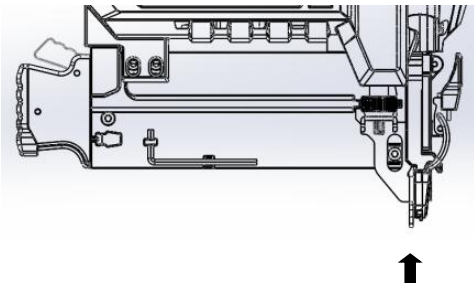


Photo 5

Jam nails remove (Take F50B as an example, Photo 6)

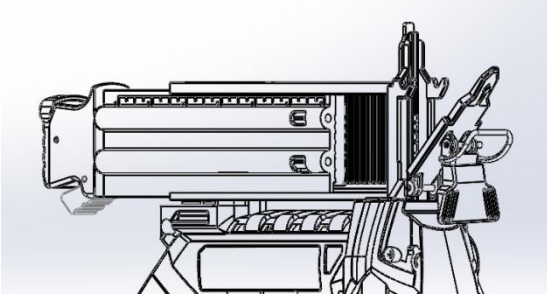


Photo 6

- First, press the handle of the tail of the magazine to open the movable magazine;
- Then pull the quick-release wrench down and open the gun cover;
- Use a screwdriver or pliers to remove the jammed nails.

Battery pack plug and battery display (Photo 7)

- Press the left and right latches of the battery pack at the same time, and insert and remove the battery pack;
- A battery indicator and button are placed above the battery, and the current battery level is displayed by pressing the button .

Battery Display

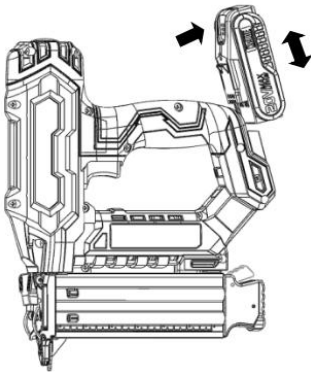


Photo 7

Battery charging (Photo 8)

- a) Plug in the charger according to the adapted power supply. At this time, the charger displays a green light;
- b) Insert the battery pack to be charged into the charger, the charger will flash red, and the charger will display green light after charging.

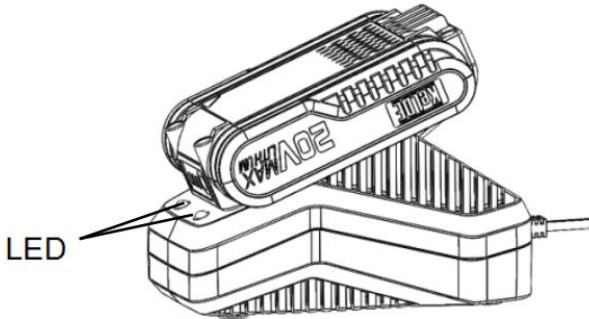


Photo 8

	Items	Description
1	Area	North America
2	Name	Electric Finish Nailers
3	Model	T64B
4	Parameter	20V d.c. 16ga 100nail/minute

	Items	Description
1	Area	European Union
2	Name	Electric Finish Nailers
3	Model	T64B
4	Parameter	20V d.c. 16ga 100nail/minute

Made In China

VEVOR[®]

TOUGH TOOLS, HALF PRICE

Technical Support and E-Warranty Certificate

www.vevor.com/support