

VEVOR[®]

TOUGH TOOLS, HALF PRICE

Technical Support and E-Warranty Certificate www.vevor.com/support

Panic Exit Device User Manual

MODEL:UL500P

We continue to be committed to provide you tools with competitive price.

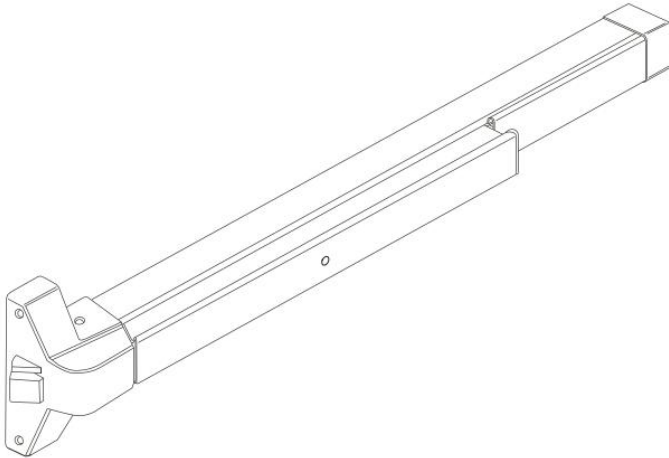
"Save Half", "Half Price" or any other similar expressions used by us only represents an estimate of savings you might benefit from buying certain tools with us compared to the major top brands and does not necessarily mean to cover all categories of tools offered by us. You are kindly reminded to verify carefully when you are placing an order with us if you are actually saving half in comparison with the top major brands.

VEVOR[®]

TOUGH TOOLS, HALF PRICE

Panic Exit Device

MODEL:UL500P



NEED HELP? CONTACT US!

Have product questions? Need technical support? Please feel free to contact us:

Technical Support and E-Warranty Certificate
www.vevor.com/support

This is the original instruction, please read all manual instructions carefully before operating. VEVOR reserves a clear interpretation of our user manual. The appearance of the product shall be subject to the product you received. Please forgive us that we won't inform you again if there are any technology or software updates on our product.

⚠️ WARNING

1. Read carefully and understand all **ASSEMBLY AND OPERATION INSTRUCTIONS** before operating.
2. Failure to follow the safety rules and other basic safety precautions may result in serious personal injury.

GENERAL SAFETY RULES

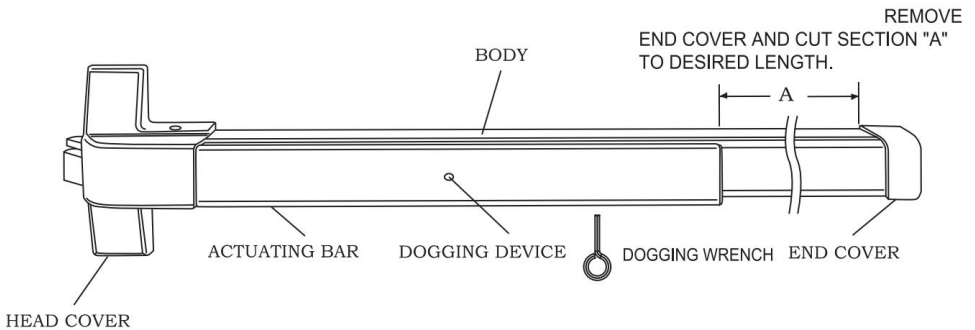
1. To extend the life of this panic device, lock the latch in the retracted position when the door is in continuous use.
2. To Lock
Hold the actuating bar down. Turn the dogging device counterclockwise with a dogging wrench.
3. To Unlock
Hold the actuating bar down. Turn the dogging device clockwise with a dogging wrench.
4. Assemble only according to these instructions. Improper assembly can create hazards.
5. Keep assembly area clean and well lit.
6. Keep bystanders out of the area during assembly.
7. Do not assemble when tired or when under the influence of alcohol, drugs or medication.
8. This product contains small parts. If swallowed, it will pose a choking hazard. Keep these small parts away from children when assembling! This is not a toy. Not for use by children.

SAVE THESE INSTRUCTIONS

MODEL AND PARAMETERS

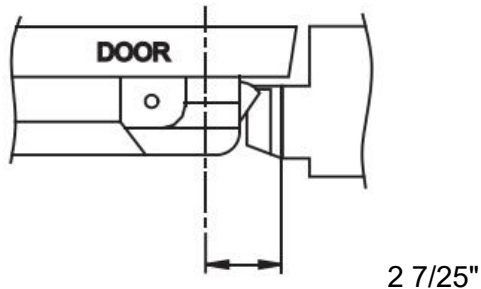
Model	UL500P
Product Spec	27.5"
Material	Carbon Steel
Suitable for Door	28"~41"
Suitable door thickness	1 37/64"~2 11/64"
Surface Finish	Surface Powder Spraying

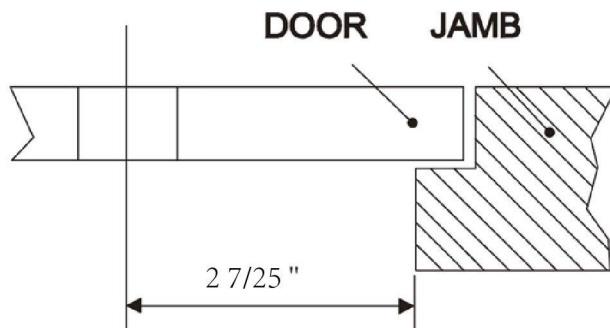
STRUCTURE DIAGRAM



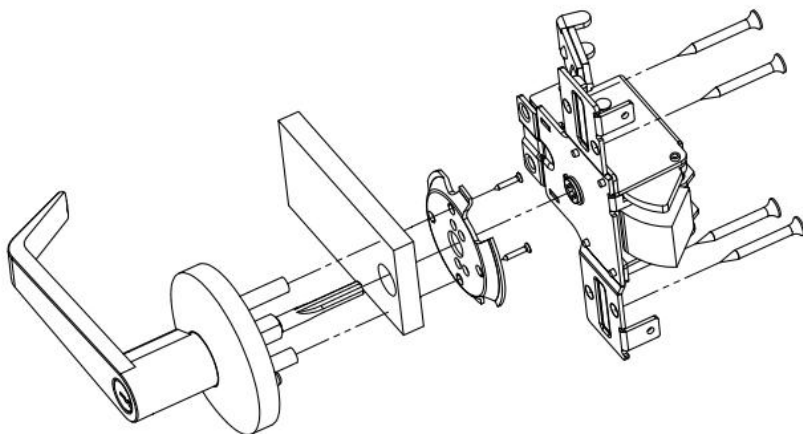
OPERATING INSTRUCTIONS

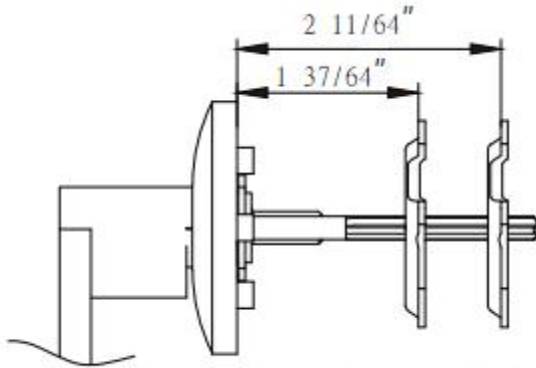
Step1: Installation distance determination.





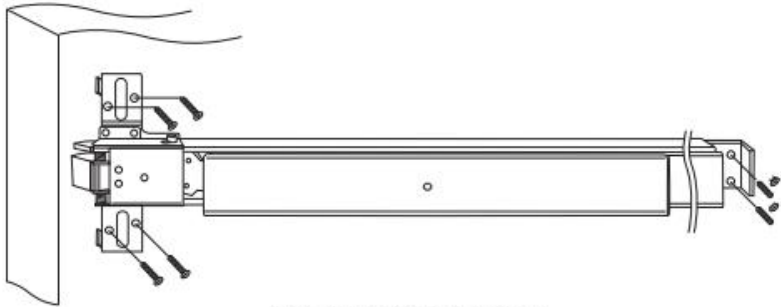
Step3: Insert the lever trim into the hole on the door. Keep the lever trim horizontal. Tighten the screws.



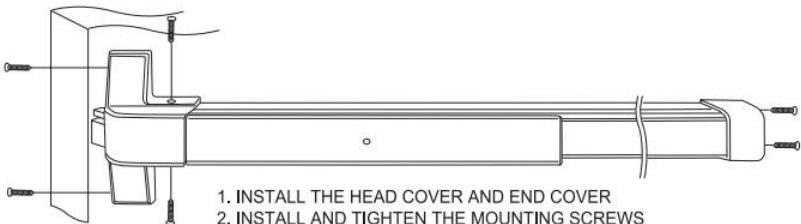


For a door thickness of $1 \frac{37}{64}'' \sim 2 \frac{11}{64}''$

Step4: Remove the head cover and the screws on the end cover. Align the screw holes with the holes on the door. Tighten the screws on the body and the lining of end cover.



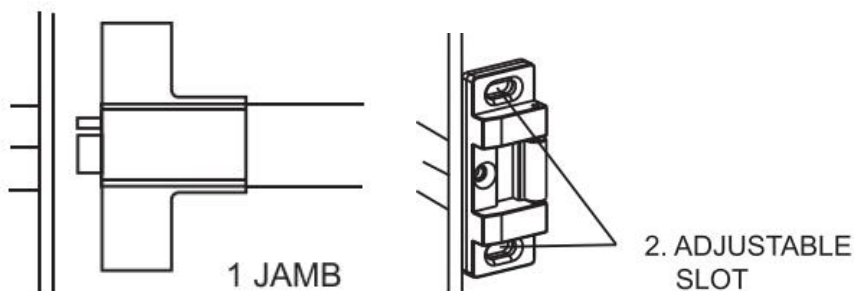
INSIDE FACE OF THE DOOR

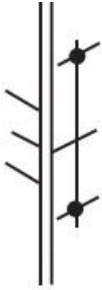


1. INSTALL THE HEAD COVER AND END COVER
2. INSTALL AND TIGHTEN THE MOUNTING SCREWS ON THE HEAD COVER AND END COVER.

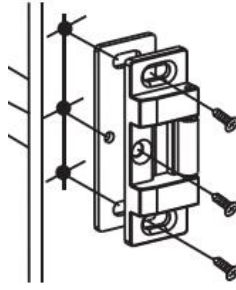
ROLLER STRIKE INSTALLATION

1. With the door in the closed position, mark the center line of latch bolt on door JAMB.
2. Place roller strike on door JAMB. Align the center of the roller strike with the latch bolt center line mark on the JAMB. Then align the outside edge of the roller strike with the outside edge of the door JAMB.
3. Mark the center of the 2 adjustable slotted holes and drill $7/32$ " pilot holes. Tap pilot holes with $1/4$ "-20 threads and install machine screws. Or install self-tapping machine screws or wood screws in pilot holes. Close the door to check if the latch bolt extends properly. Adjust the roller strike if necessary.
4. With roller strike in final position. Drill a $7/32$ " pilot hole for the center mounting hole. Tap the pilot hole with $1/4$ -20 threads and install machine screws. Or install self-tapping machine screws or wood screws in pilot holes.





3. DRILL 7/32"
HOLE, TAP
1/4"-20P
THREAD



4. 1/4"-20P
FLAT HEAD
SCREW

MAINTENANCE

1..All maintenance, service, and repairs not discussed in the manual should only be performed by qualified service technicians.

2.Check the product regularly to prevent screws from loosening and falling off.

Manufacturer:

JIANGSU TONGGUAN INTELLIGENT TECHNOLOGYCO.,LTD

Address:

800 BIHUA ROAD, TONGZHOU DISTRICT,NANTONG,JIANGSU
PROVINCE,CHINA



SHUNSHUN GmbH
Römeräcker 9 Z2021,76351
Linkenheim-Hochstetten, Germany



Pooledas Group Ltd
Unit 5 Albert Edward House, The
Pavilions Preston, United Kingdom

Made in China

VEVOR[®]

TOUGH TOOLS, HALF PRICE

Technical Support and E-Warranty Certificate

www.vevor.com/support