

VEVOR[®]

TOUGH TOOLS, HALF PRICE

Technical Support and E-Warranty Certificate www.vevor.com/support

HEAVY DUTY DOG CRATE

We continue to be committed to provide you tools with competitive price.

"Save Half", "Half Price" or any other similar expressions used by us only represents an estimate of savings you might benefit from buying certain tools with us compared to the major top brands and does not necessarily mean to cover all categories of tools offered by us. You are kindly reminded to verify carefully when you are placing an order with us if you are actually saving half in comparison with the top major brands.

VEVOR[®]

HEAVY DUTY DOG CRATE

TOUGH TOOLS, HALF PRICE

MODEL:LF-QFGGL-38/LF-QFGGL-42/LF-QFGGL-46



NEED HELP? CONTACT US!

Have product questions? Need technical support? Please feel free to contact us:

Technical Support and E-Warranty Certificate
www.vevor.com/support

This is the original instruction, please read all manual instructions carefully before operating. VEVOR reserves a clear interpretation of our user manual. The appearance of the product shall be subject to the product you received. Please forgive us that we won't inform you again if there are any technology or software updates on our product.

WARNING:

Read this material before using this product. Failure to do so can result in serious injury.

Assembly precautions

1. Assemble only according to these instructions. Improper assembly can create hazards.
2. In order to ensure your own safety, please make sure to ANSI-approved safety goggles and heavy-duty work gloves when installing this product.
3. Keep the assembly area clean and well lit.
4. Keep bystanders out of the area during assembly.
5. Do not assemble when tired or when under the influence of alcohol, drugs or medication.
6. Product capabilities apply to properly and completely assembled products only.
7. Assemble on a flat, level, hard and smooth surface capable of safely supporting a fully loaded Heavy Duty Dog Crate.

TO PREVENT SERIOUS INJURY AND DEATH FROM TIPPING:

1. DO NOT SIT OR STAND ON THIS ITEM.
2. This product is not a toy. Do not allow children to play with or near this item. Please keep small spare parts out of children's reach.
3. Use only on a flat, level, hard and smooth surface capable of safely supporting a fully loaded Dog Crate.
4. Use as intended only.
5. Inspect before every use; do not use if parts are loose or damaged.

SAVE THESE INSTRUCTIONS

SPECIFICATION

Model	LF-QFGGL-38	LF-QFGGL-42	LF-QFGGL-46
Cage size	38inch/ 950*650*810 mm	42 inch/ 1070*770*940 mm	46 inch/ 1190*810*990mm
Material	A195	A195	A195
Pipe Size	Galvanized square pipe 20x20x0.6nm 20x10x0.8nm	Galvanized square pipe 20x20x0.6nm 20x10x0.8nm	Galvanized square pipe 20x20x0.6nm 20x10x0.8nm

38 Inch Components



Openend
wrench
(1)



Nut
(11)



Universal
wheel
(4)



Wrench
(1)



Mountaineering
buckle
(2)



Lock
(4)



screw
(11)



Flat
headscrew
(17)



Tray
(1)

42 Inch Components



Openend
wrench
(1)



Nut
(11)



Universal
wheel
(4)



Wrench
(1)



Mountaineering
buckle
(2)



Lock
(5)



screw
(11)



Flat
headscrew
(21)



Tray
(1)

46 Inch Components



Openend
wrench
(1)



Nut
(11)



Universal
wheel
(4)



Wrench
(1)



Mountaineering
buckle
(2)



Lock
(5)



screw
(11)

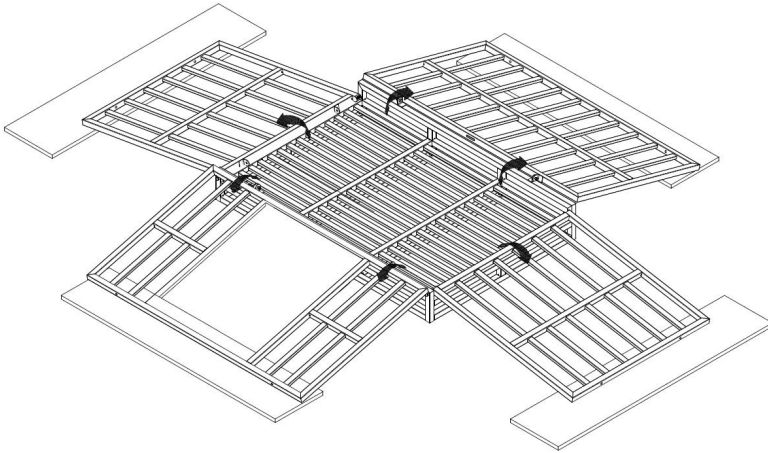


Flat
headscrew
(21)

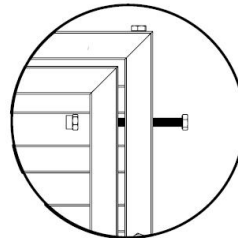
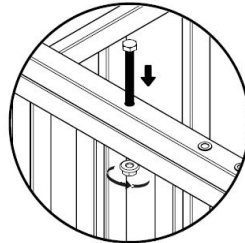
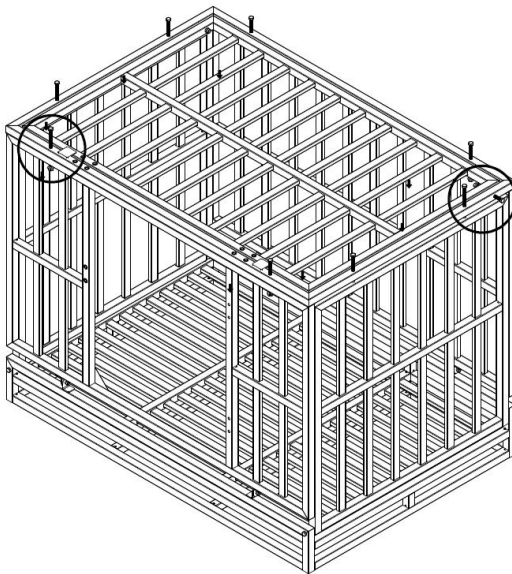


Tray
(1)

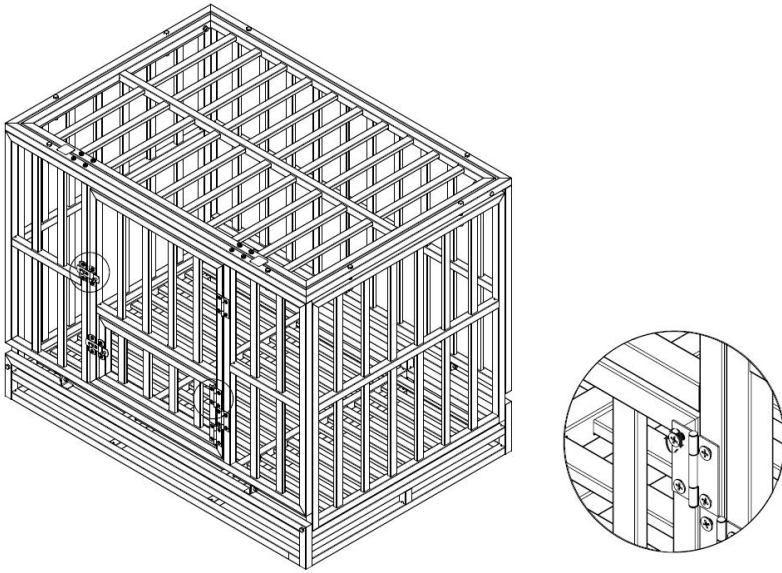
Assembly Instructions



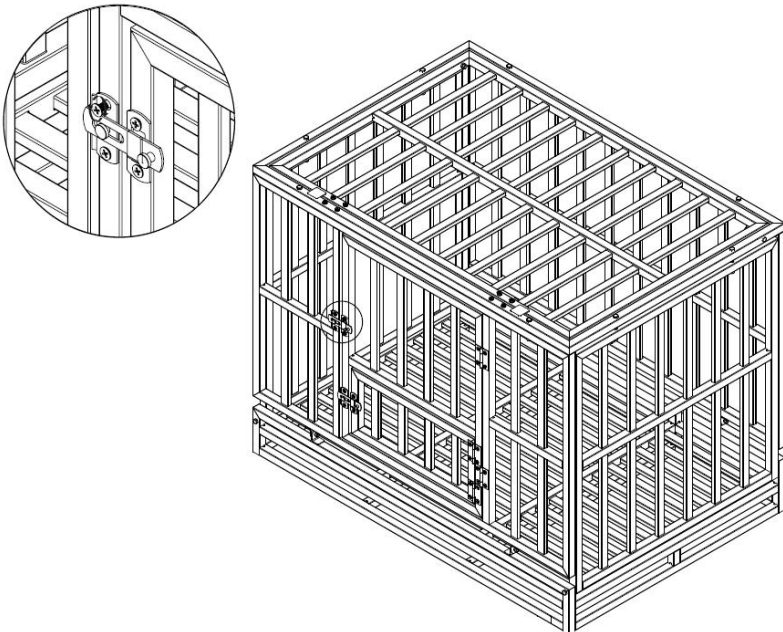
Step1: Open the dog cage. Note: Install the door with two persons, and put foam supports under the door to prevent the door from being scratched and damaged.



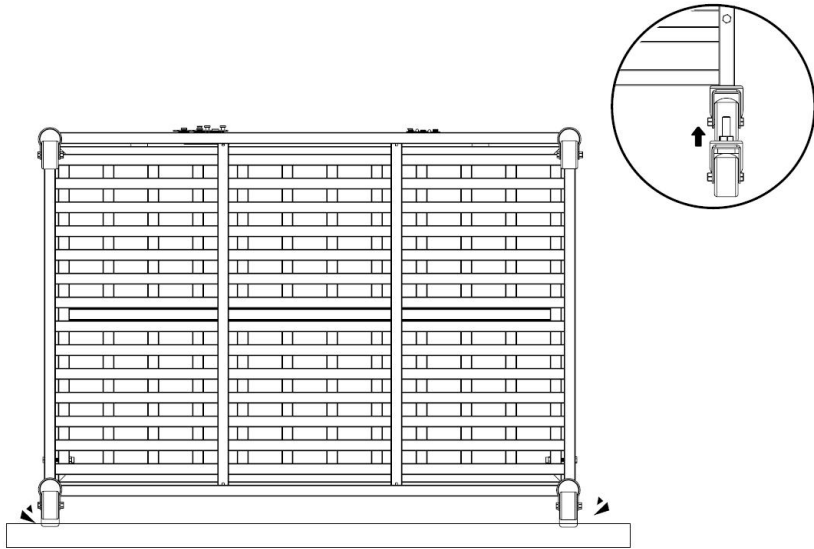
Step2: Install and secure the upper frame, align the frame with the screw hole, secure and tighten it with M6*50 screws. Note: This is a non-slip screw, which needs to be fixed with a sleeve and then tightened with a wrench.



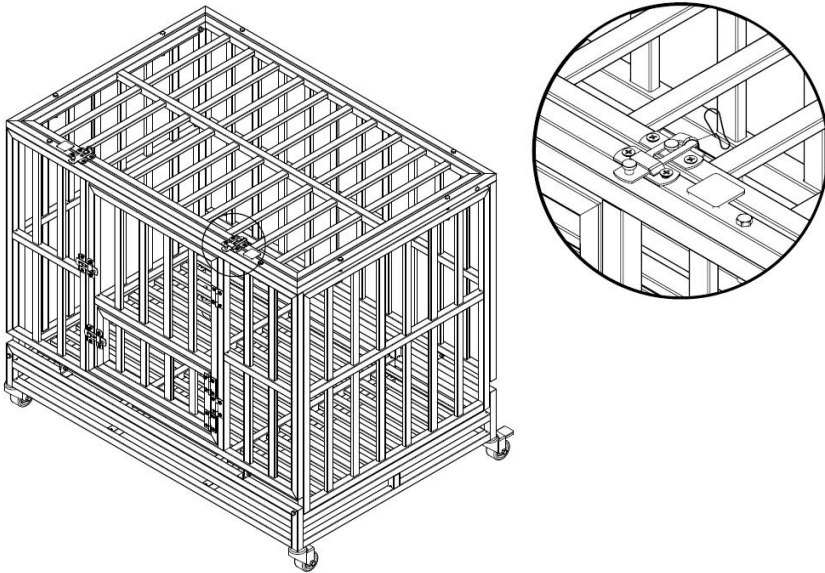
Step3: Install the door, insert the flat head screws into the corresponding screw holes, and tighten the door



Step4: Install door lock with opening facing up and tighten with flat head screws.



Step5: Install the wheels, turn the cage on its side and tighten the wheels. Note: The side should be padded with paper and other supports to prevent the door from being scratched and damaged by falling.



Step6: The installation is complete. Put in the tray and lock the doggy door. The trecking buckle makes the door stronger.

Manufacturer:Shanghaimuxinmuyeyouxiangongsi

Address: Shuangchenglu 803nong11hao1602A-1609shi, baoshanqu, shanghai 200000 CN.

Imported to AUS: SIHAO PTY LTD. 1 ROKEVA STREETEASTWOOD NSW 2122 Australia

Imported to USA: Sanven Technology Ltd. Suite 250, 9166 Anaheim Place, Rancho Cucamonga, CA 91730



E-CrossStu GmbH
Mainzer Landstr.69, 60329 Frankfurt am Main.



YH CONSULTING LIMITED.
C/O YH Consulting Limited Office 147, Centurion House,
London Road, Staines-upon-Thames, Surrey, TW18 4AX

VEVOR[®]

TOUGH TOOLS, HALF PRICE

Technical Support and E-Warranty Certificate

www.vevor.com/support