

# **VEVOR<sup>®</sup>**

## **TOUGH TOOLS, HALF PRICE**

Technical Support and E-Warranty Certificate [www.vevor.com/support](http://www.vevor.com/support)

# **PLASTIC DUMP GARDEN CARTS**

## **USER MANUAL**

We continue to be committed to provide you tools with competitive price.

"Save Half", "Half Price" or any other similar expressions used by us only represents an estimate of savings you might benefit from buying certain tools with us compared to the major top brands and does not necessarily mean to cover all categories of tools offered by us. You are kindly reminded to verify carefully when you are placing an order with us if you are actually saving half in comparison with the top major brands.

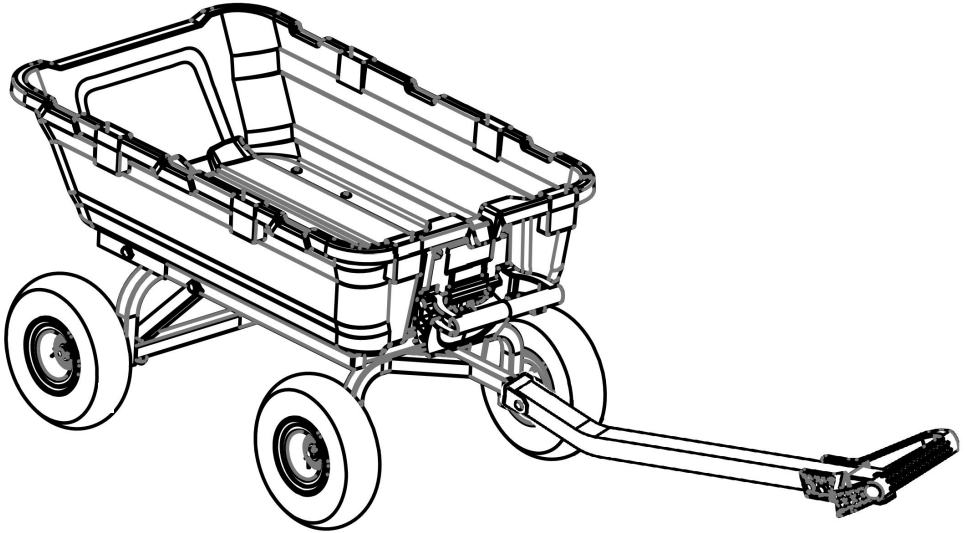


# VEVOR<sup>®</sup>

TOUGH TOOLS, HALF PRICE

PLASTIC DUMP GARDEN  
CARTS

TC4723



## NEED HELP? CONTACT US!

Have product questions? Need technical support? Please feel free to contact us:

**Technical Support and E-Warranty Certificate**  
[www.vevor.com/support](http://www.vevor.com/support)

This is the original instruction, please read all manual instructions carefully before operating. VEVOR reserves a clear interpretation of our user manual. The appearance of the product shall be subject to the product you received. Please forgive us that we won't inform you again if there are any technology or software updates on our product.

# Safety precautions

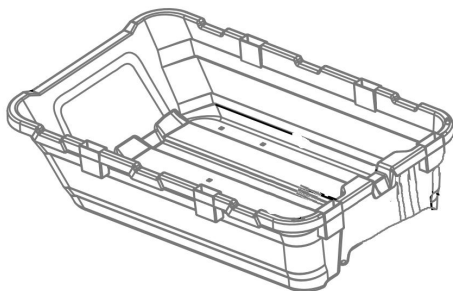
## WARNING:

**Read this instructions** before using this product. Failure to do so can result in serious injury. the basic precautions should always be followed,including the following:

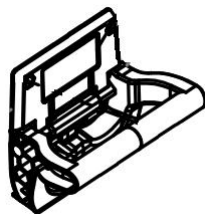
1. The plastic dump garden carts may not be used or stored in hazardous areas. It is not allowed to use the appliance in hazardous locations.
2. The plastic dump garden carts must be checked to ensure that it is in proper working order and is operating safely prior to use. Otherwise,the appliance must not be used.
3. Use as intended only. The plastic dump garden carts are not suitable for loading corrosive materials. Because they will plastic dump the material on garden carts.
4. The operator must use the plastic dump garden carts properly. He must consider the local conditions and must pay attention to third parties,in particular children,when working with the plastic dump garden carts.
5. This plastic dump garden carts is not intended for use by persons (including children) with reduced physical,sensory or mental abilities or lacking experience and/or knowledge,unless they are super- vised by a person responsible for their safety or are instructed by these persons on the use of the device. Children should be supervised,to ensure that they do not play with the plastic dump garden carts.
6. Please use the Plastic Dump Garden Carts according to the weight indicated in the manual. Do not load more than the marked weight, as this will damage the Plastic Dump Garden Carts.

## SAVE THESE INSTRUCTIONS

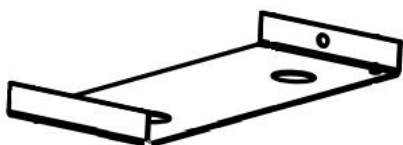
# Product List



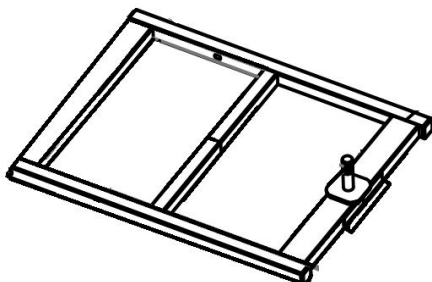
Tray (x1)



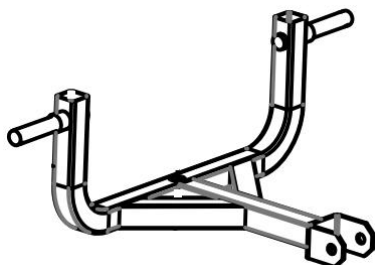
Locking frame (x1)



Flat (x1)



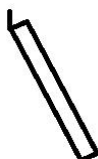
Bottom Frame (x1)



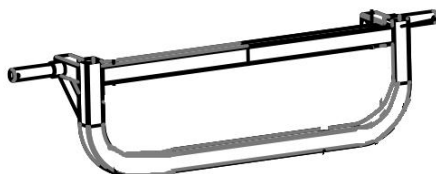
Front Steering frame (x1)



Supporting angle iron (x1)



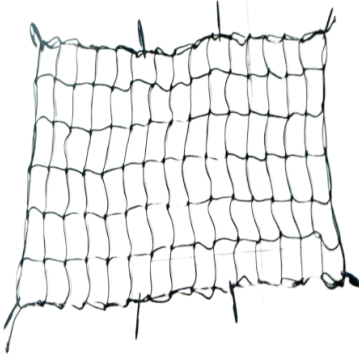
Supporting angle iron (x1)



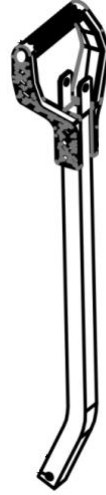
Rear support Frame (x1)



Wheel (x4)



Stretch netting (x1)



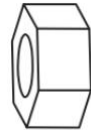
Handle (x1)



Board (x1)



Gasket (x5)



M16 (x1)



M8x20 (x5)



M10x45 (x4)



M10x50 (x2)



M12x75 (x2)



Cotter pin (x4)

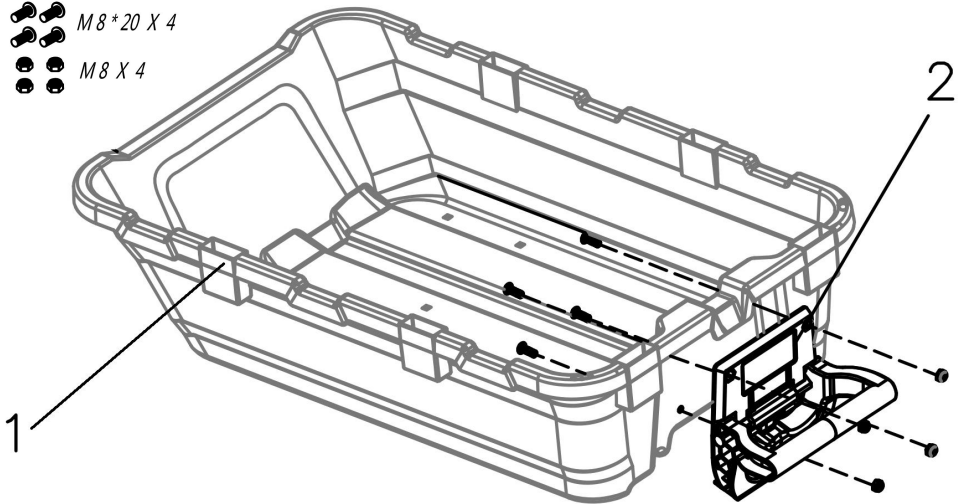


Hexagon wrench (x2)

# Product Description

## STEP 1





-   $M8 \times 20 \times 4$
-   $M8 \times 4$

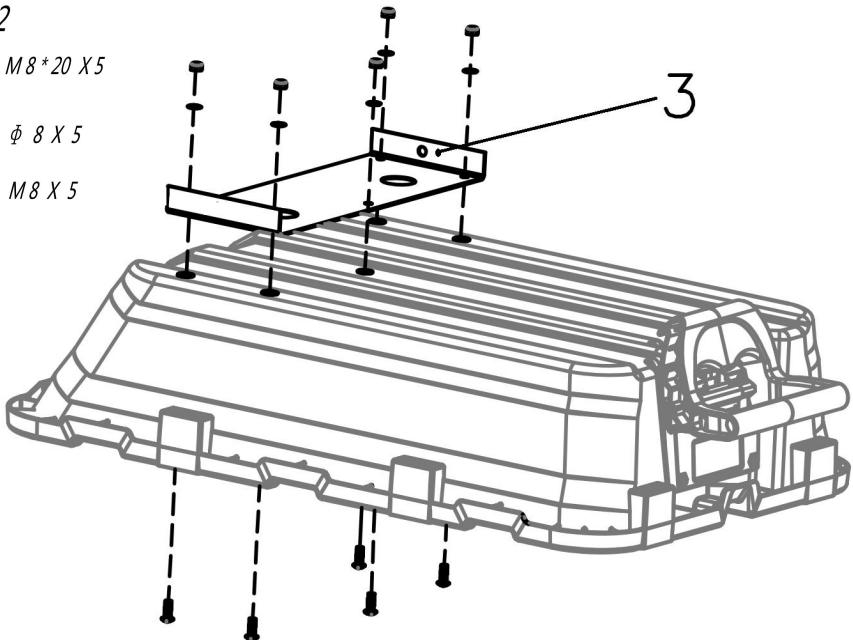


1. Remove the screws (x4) from the locking frame.

2. Assemble the locking frame onto the tray with screws.


## STEP 2


-   $M8 \times 20 \times 5$
-   $M8 \times 5$
-   $\varnothing 8 \times 5$
-   $M8 \times 5$



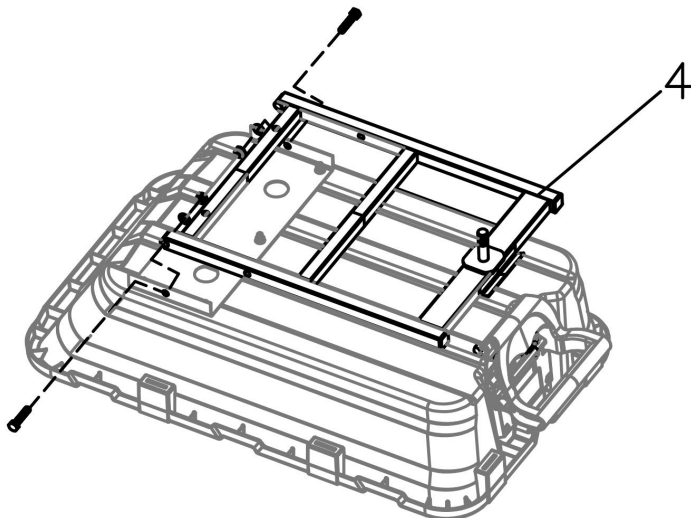
Assemble the flat onto the tray with screws (x5).

**STEP 3**

 *M 10 \* 50 X 2*

 *φ 10 X 2*


 *M 10 X 2*



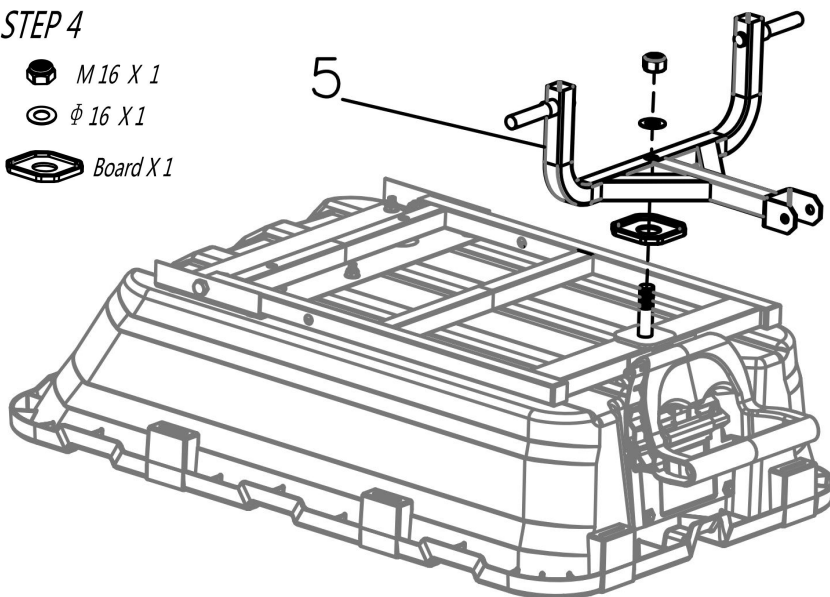
**Assemble the bottom frame onto the flat with screws (x2).**

**STEP 4**

 *M 16 X 1*

 *φ 16 X 1*


 *Board X 1*




- 1. Place the plane of the board facing down on the axis of the Bottom Frame.**
- 2. Place the front steering frame on the axis of the bottom frame.**
- 3. Place the Gasket on the shaft of the bottom frame.**
- 4. Lock the shaft with a nut. Note that it cannot be locked, and a gap is required to rotate the Front Steering frame.**

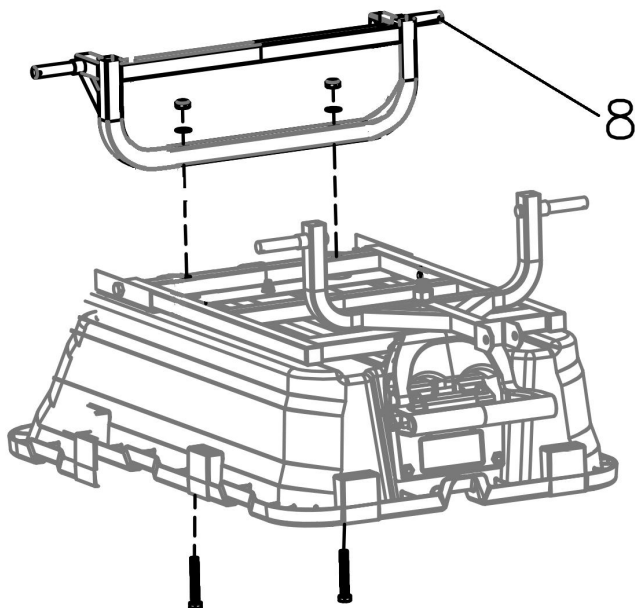


### STEP 5

  $M12 * 75 X 2$


  $\phi 12 X 2$

  $M12 X 2$



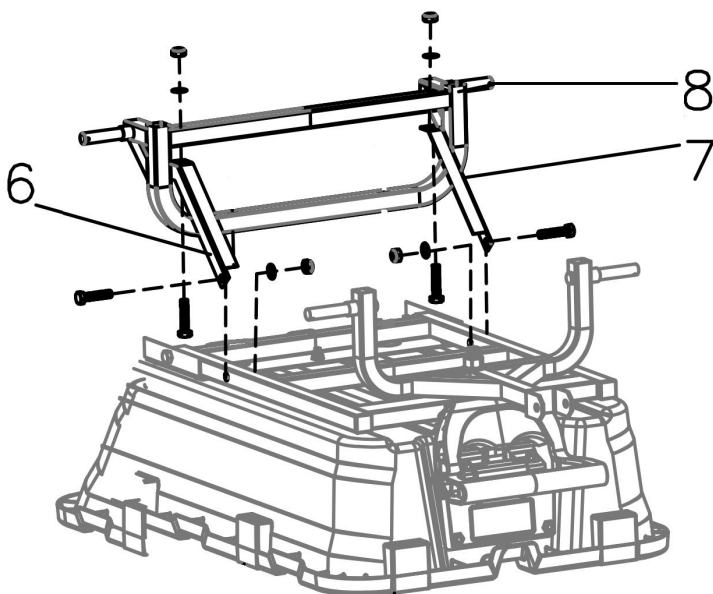
**Attach the rear support frame to the bottom frame with screws (x2).**

### STEP 6

  $M10 * 45 X 4$

  $\phi 10 X 4$


  $M10 X 4$

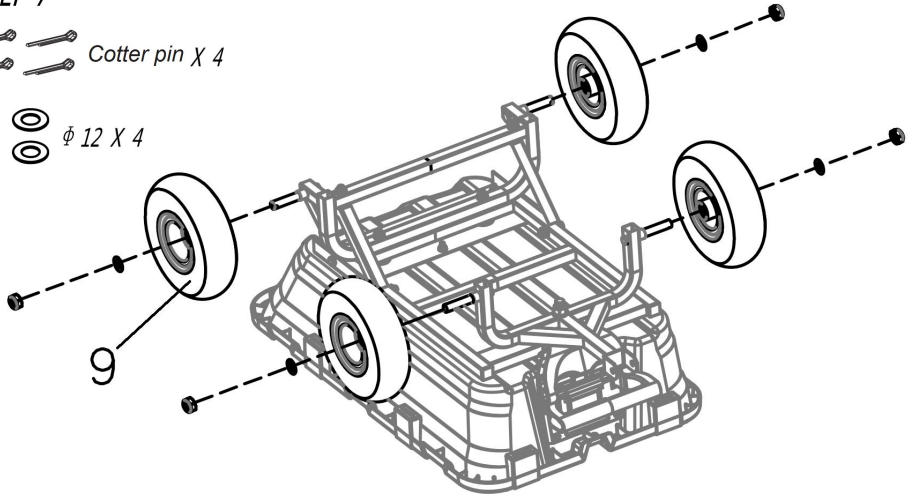


**Attach the supporting angle iron to the bottom frame and rear support frame with screws (x4).**

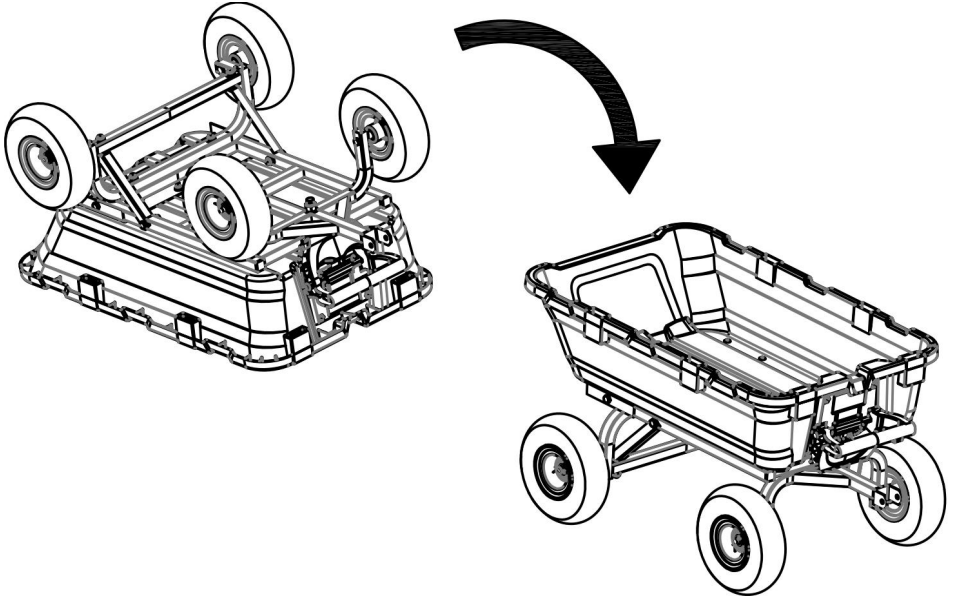
## STEP 7

  Cotter pin X 4

   $\phi 12 \times 4$




1. Attach the tires to the axle with the air holes facing outward.
2. Put on the spacer (x4).
3. Insert the cotter pin (x4) and bend.

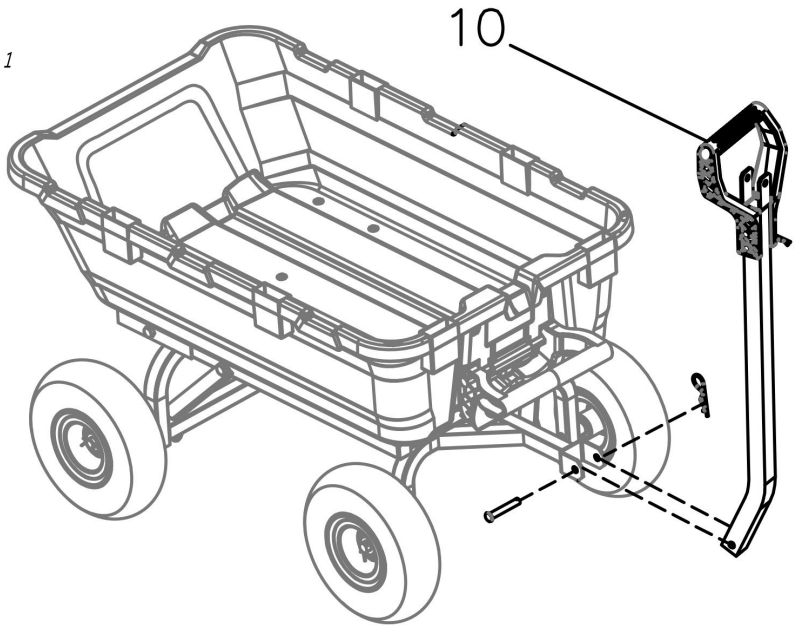


Turn the plastic dump garden carts upside down.

## STEP 8

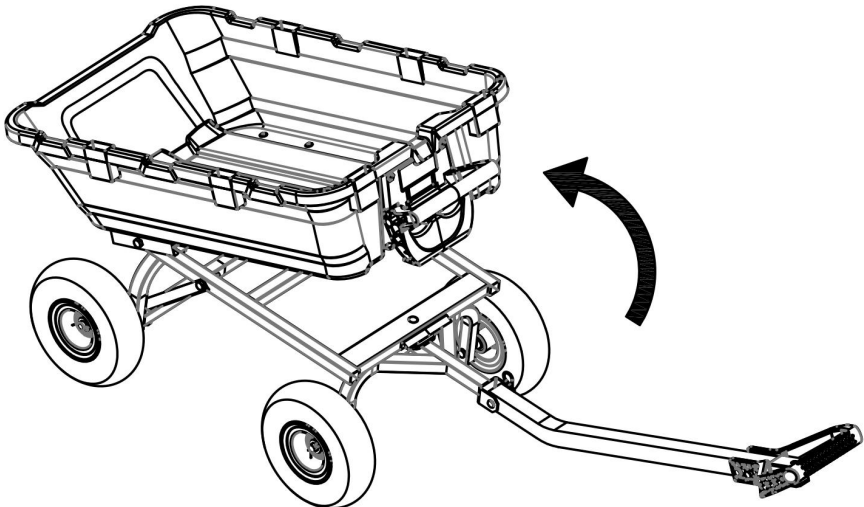
 Cotter pin X 1

 Pin X 1



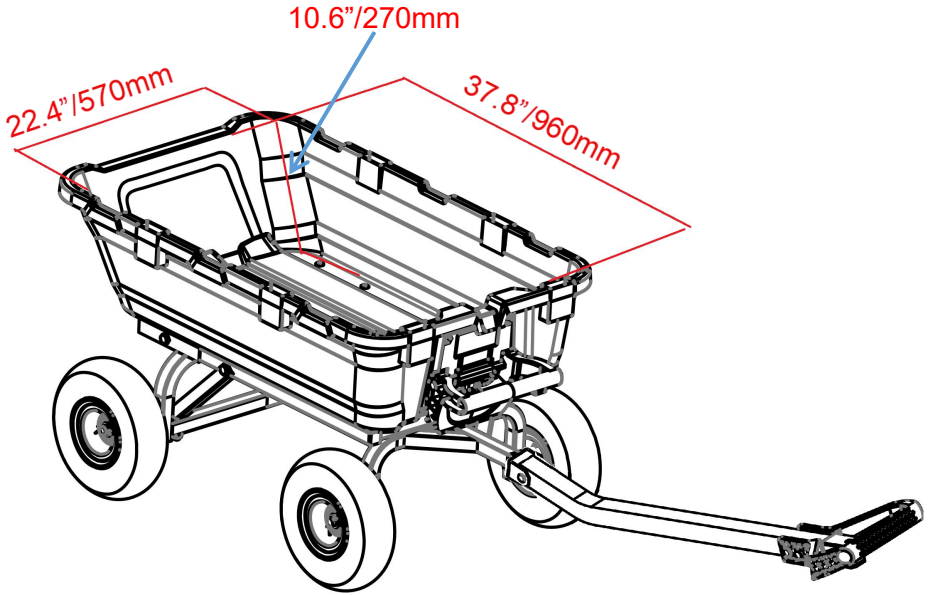
1. Detach the pin from the front steering frame.
2. Hold the handle in place with a pin through the Front Steering frame.
3. Secure the PIN with the Cotter Pin.

The assembly is complete.



Press the handle to tip the Tray.

## Body volume



Product parameters	
Product dimensions	2020*805*650mm 79.5*31.7*25.6in
Body volume	960*570*270mm 37.8*22.4*10.6in
Maximum weight capacity	1200 lbs
Net weight	26kg
Wheel	13*4.00-6



**Hand pull mode**



**Vehicle towing mode**

**Manufacturer:**Shanghaimuxinmuyeyouxiangongsi

**Address:** Shuangchenglu 803nong11hao1602A-1609shi, baoshanqu, shanghai 200000 CN.

**Imported to AUS:** SIHAO PTY LTD. 1 ROKEVA STREETEASTWOOD NSW 2122 Australia

**Imported to USA:** Sanven Technology Ltd. Suite 250, 9166 Anaheim Place, Rancho Cucamonga, CA 91730

<b>UK</b>	<b>REP</b>
-----------	------------

E-CrossStu GmbH

Mainzer Landstr.69, 60329 Frankfurt am Main.

<b>EC</b>	<b>REP</b>
-----------	------------

YH CONSULTING LIMITED.

C/O YH Consulting Limited Office 147, Centurion House,  
London Road, Staines-upon-Thames, Surrey, TW18 4AX



**VEVOR<sup>®</sup>**

**TOUGH TOOLS, HALF PRICE**

**Technical Support and E-Warranty Certificate**

**[www.vevor.com/support](http://www.vevor.com/support)**