

# **VEVOR<sup>®</sup>**

## **TOUGH TOOLS, HALF PRICE**

Technical Support and E-Warranty Certificate [www.vevor.com/support](http://www.vevor.com/support)

## **VINYL PRIVACY FENCE USER MANUAL**

We continue to be committed to provide you tools with competitive price.

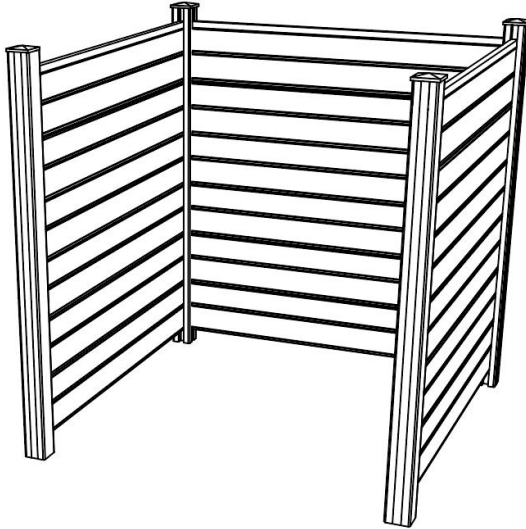
"Save Half", "Half Price" or any other similar expressions used by us only represents an estimate of savings you might benefit from buying certain tools with us compared to the major top brands and does not necessarily mean to cover all categories of tools offered by us. You are kindly reminded to verify carefully when you are placing an order with us if you are actually saving half in comparison with the top major brands.

# VEVOR<sup>®</sup>

TOUGH TOOLS, HALF PRICE

## VINYL PRIVACY FENCE

Model: 12227-3



### NEED HELP? CONTACT US!

Have product questions? Need technical support? Please feel free to contact us:

**Technical Support and E-Warranty Certificate**  
[www.vevor.com/support](http://www.vevor.com/support)

This is the original instruction, please read all manual instructions carefully before operating. VEVOR reserves a clear interpretation of our user manual. The appearance of the product shall be subject to the product you received. Please forgive us that we won't inform you again if there are any technology or software updates on our product.

# SAFETY INFORMATION

In order to ensure your own safety, please make sure to wear gloves while assembling the fence . The metal parts could have sharp edges and could be oily because of rust prevention treatment. Please keep children away from the fence while assembling it to protect them.

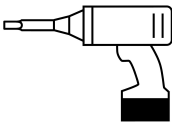
Strong winds may damage the product, fences should be disassembled in adverse weather conditions.

Make sure to keep sufficient distance to houses as well as gas and power lines to avoid possible damage. Please check the area for power cables and gas lines. Ask your local authority for further information if needed.

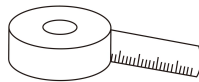
# SPECIFICATIONS

Model	12227-3
Size of Single Fence	50×50in
Number of Fence	3
Color	White

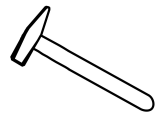
Please prepare the following tools before installation (not included with the product).



Power screwdriver

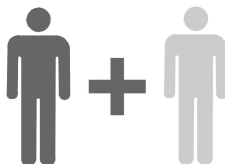


Tape



Rubber hammer  
/Wooden hammer

People needed for installation work.



# COMPONENTS



Ⓢ1 × 1

Left Post



Ⓢ2 × 2

Middle Post



Ⓢ3 × 1

Right Post



Ⓒ × 4

Metal Ground Stake



Ⓨ × 1

Positioned Boards



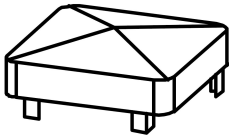
ⓧ × 18

Panel



Ⓣ × 3

Upper Decor



Ⓩ × 4

Post Cap



Ⓦ × 8

Screws



Ⓖ × 12

Screws

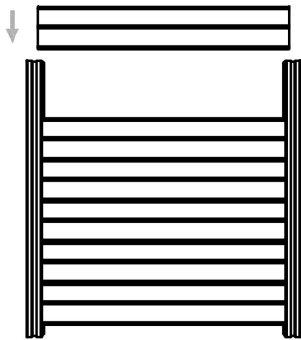


Ⓤ × 6

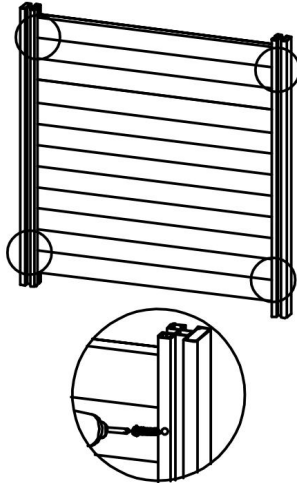
Screws

# Assembly Instructions :

① X × 6 S2 × 2

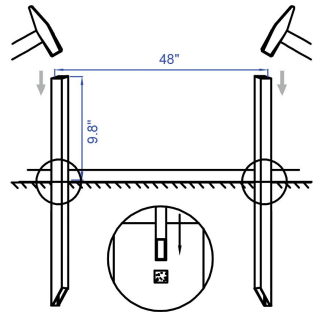


② G × 4



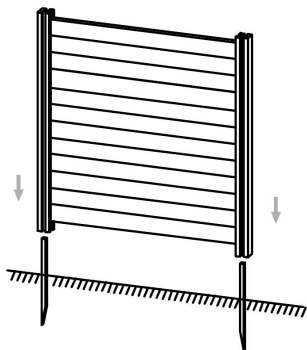
③ C × 2 Y × 1

Interval between metal post anchors is 46", the interval between metal post anchors can be determined with the positioned boards.

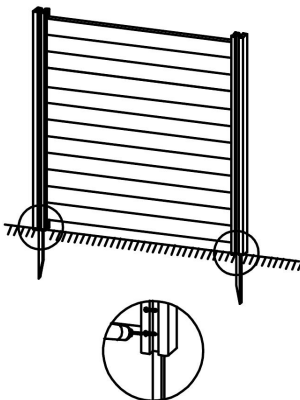


Length of the metal post anchors exposed to the ground is 9.8".

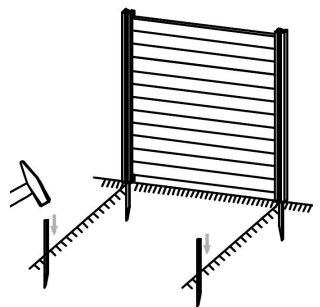
④



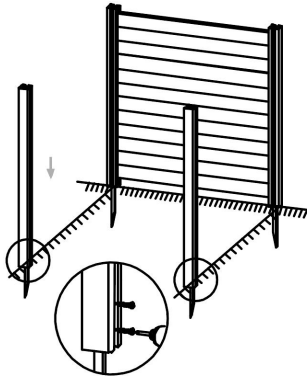
⑤ W × 4



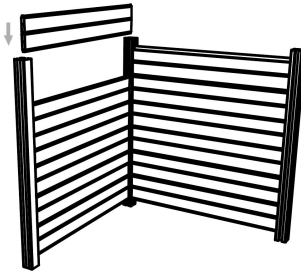
⑥ C × 2 Y × 1



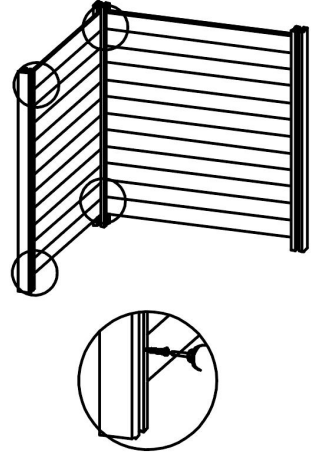
⑦ S1 × 1 S3 × 1 W × 4



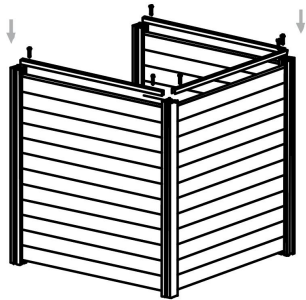
⑧ X × 6



⑨ G × 4



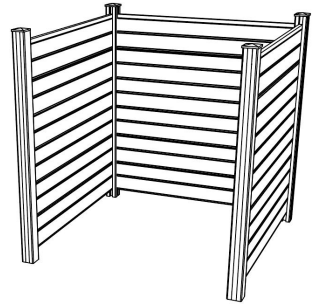
⑩ T × 3 U × 6



⑪ Z × 4



Finish installation



Users can increase the glue to fixed the post cap to prevent it from falling.

Users can assemble it into other shapes according to their needs.

**Address:** Shuangchenglu 803nong11hao1602A-1609shi, baoshanqu, shanghai 200000 CN.

**Imported to AUS:** SIHAO PTY LTD. 1 ROKEVA STREETEASTWOOD NSW 2122 Australia

**Imported to USA:** Sanven Technology Ltd. Suite 250, 9166 Anaheim Place, Rancho Cucamonga, CA 91730

<b>EC</b>	<b>REP</b>
-----------	------------

E-CrossStu GmbH.  
Mainzer Landstr.69, 60329  
Frankfurt am Main.

<b>UK</b>	<b>REP</b>
-----------	------------

YH CONSULTING LIMITED.  
C/O YH Consulting Limited Office 147, Centurion House,  
London Road, Staines-upon-Thames, Surrey, TW18 4AX

**VEVOR<sup>®</sup>**

**TOUGH TOOLS, HALF PRICE**

**Technical Support and E-Warranty Certificate**

**[www.vevor.com/support](http://www.vevor.com/support)**