

# **VEVOR<sup>®</sup>**

## **TOUGH TOOLS, HALF PRICE**

Technical Support and E-Warranty Certificate [www.vevor.com/support](http://www.vevor.com/support)

# **WALK IN CHICKEN COOP**

## **USER MANUAL**

We continue to be committed to provide you tools with competitive price.

"Save Half", "Half Price" or any other similar expressions used by us only represents an estimate of savings you might benefit from buying certain tools with us compared to the major top brands and does not necessarily mean to cover all categories of tools offered by us. You are kindly reminded to verify carefully when you are placing an order with us if you are actually saving half in comparison with the top major brands.

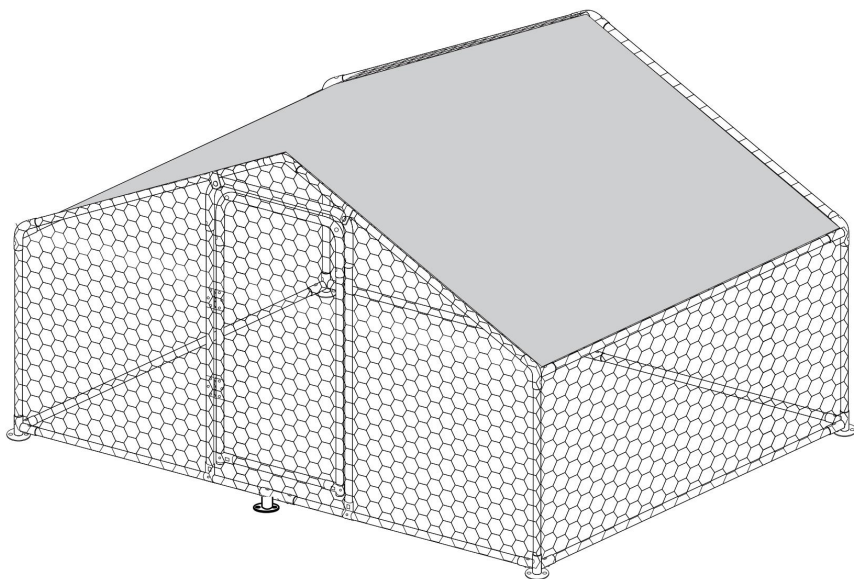


# VEVOR<sup>®</sup>

TOUGH TOOLS, HALF PRICE

## WALK IN CHICKEN COOP

RA322



### NEED HELP? CONTACT US!

Have product questions? Need technical support? Please feel free to contact us:

**Technical Support and E-Warranty Certificate**  
[www.vevor.com/support](http://www.vevor.com/support)

This is the original instruction, please read all manual instructions carefully before operating. VEVOR reserves a clear interpretation of our user manual. The appearance of the product shall be subject to the product you received. Please forgive us that we won't inform you again if there are any technology or software updates on our product.

# Safety precautions

## WARNING:

**Read this instructions** before using this product. Failure to do so can result in serious injury. the basic precautions should always be followed,including the following:

1. The walk in chicken coop may not be used or stored in hazardous areas.

It is not allowed to use the appliance in hazardous locations.

2. The walk in chicken coop must be checked to ensure that it is in proper working order and is operating safely prior to use. Otherwise,the appliance must not be used.

3. Please clear the roof of the snow regularly, as too much snow will collapse the tarpaulin.

4. The operator must use the walk in chicken coop properly. He must consider the local conditions and must pay attention to third parties,in particular children,when working with the walk in chicken coop.

5. This walk in chicken coop is not intended for use by persons (including children) with reduced physical,sensory or mental abilities or lacking experience and/or knowledge,unless they are super-vised by a person responsible for their safety or are instructed by these persons on the use of the device. Children should be supervised,to ensure that they do not play with the walk in chicken coop.

## SAVE THESE INSTRUCTIONS

# Product List



**1** x4pcs 1410mm pipe



**3** x4pcs 970mm pipe



**D1** x1pc 1640+1570mm pipe



**2** x5pcs 1870mm pipe



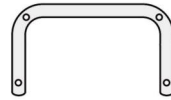
**4** x4pcs x1480mm pipe



**D2** x1pc 1640mm pipe



**D3** x1pc x820mm pipe



**D4** x1pc 920mm pipe



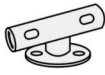
**D5** x1pc 1570mm pipe



**D6** x1pc 510mm pipe



**A** x4pcs



**B** x2pcs



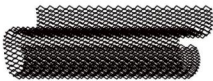
**C** x6pcs



**D** x2pcs



**E** x8pcs



**F** 1 x24m



**G** x1pc Roof



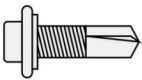
**H** x6pcs



**I** x1bag



**J** x14pcs



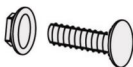
**M2** x10pcs



M8x50mm  
**M1** x 8pcs  
spare part x2pcs



**P** x1pcs



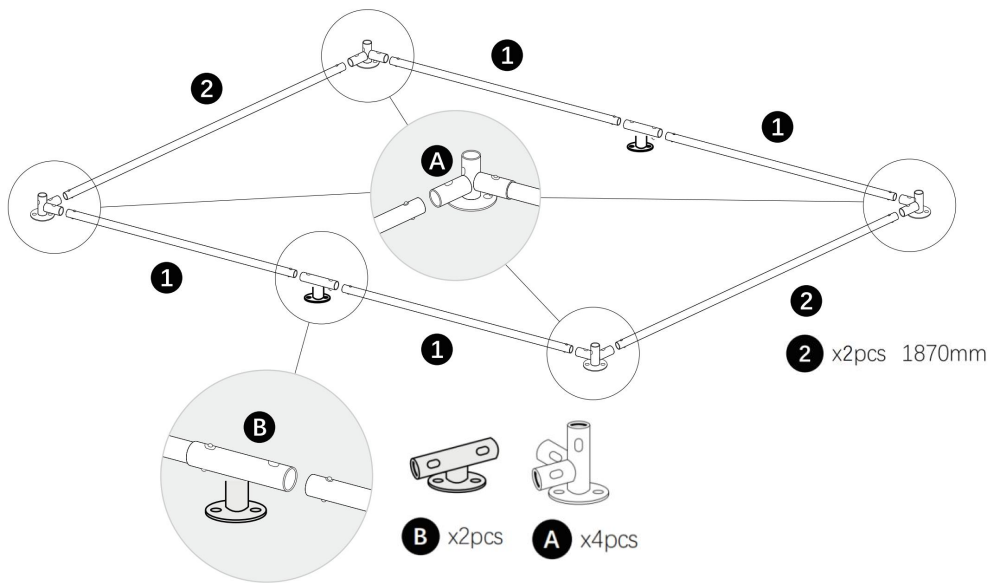
**Q** x1pcs



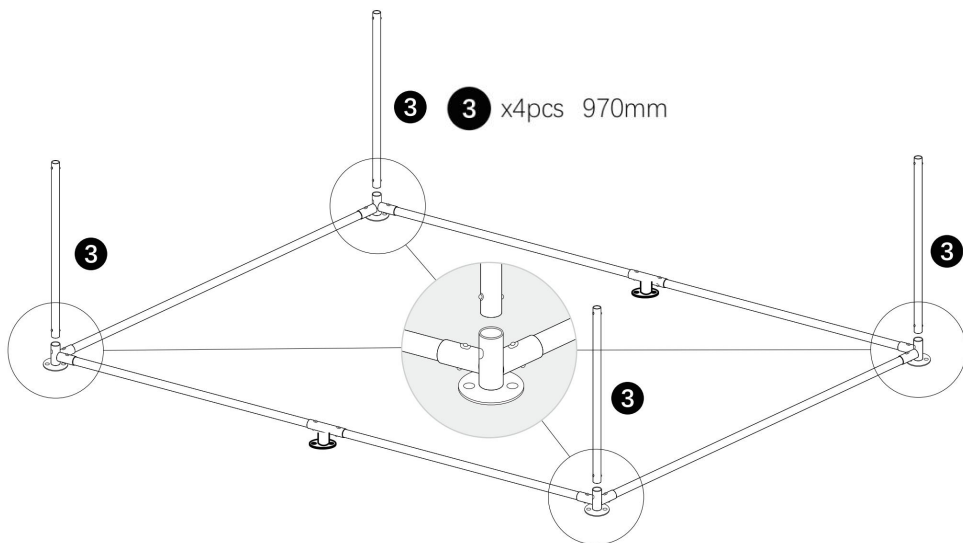
**V** x1pcs

# Product Assembly

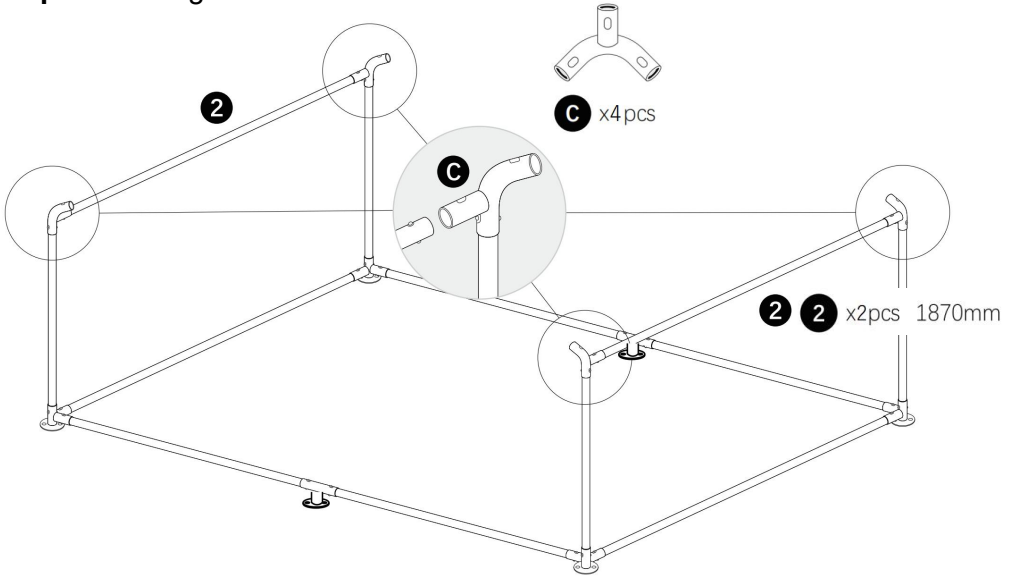
**Step 1: Building the bottom frame.**



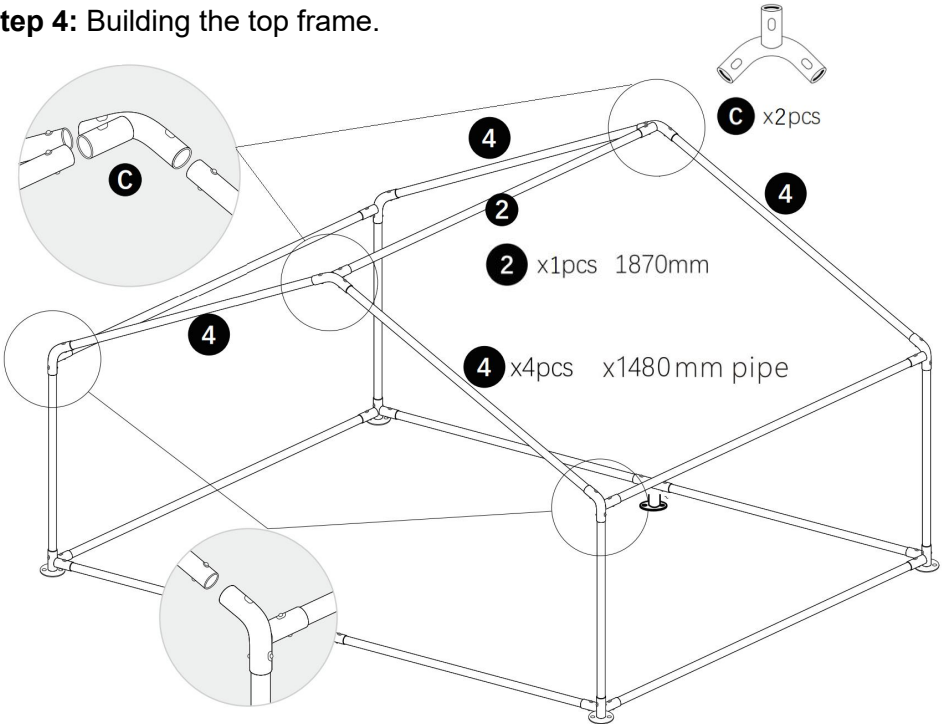
**Step 2: Contact the tube No.3 with the bottom frame.**



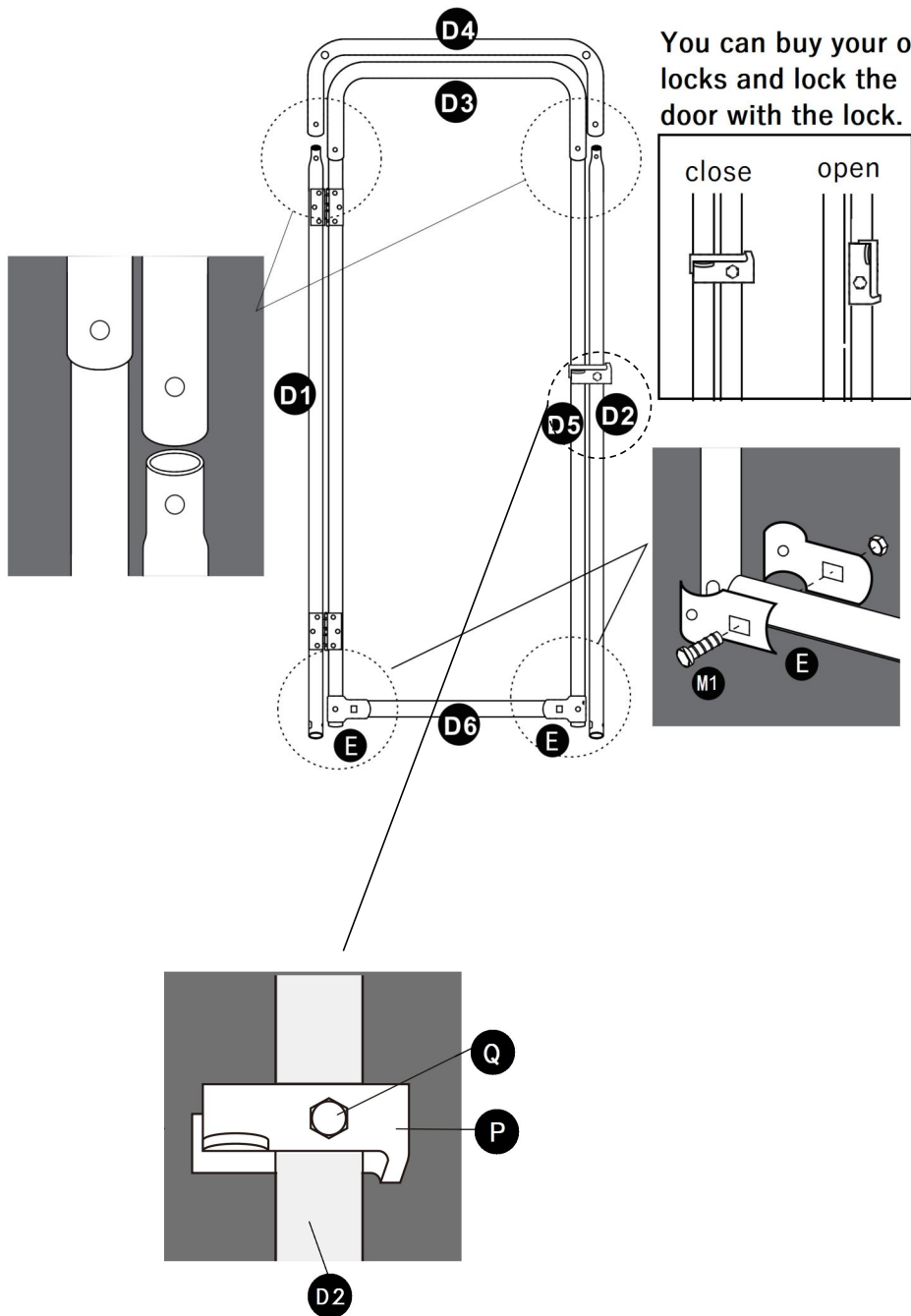
**Step 3: Building the middle frame.**



**Step 4: Building the top frame.**

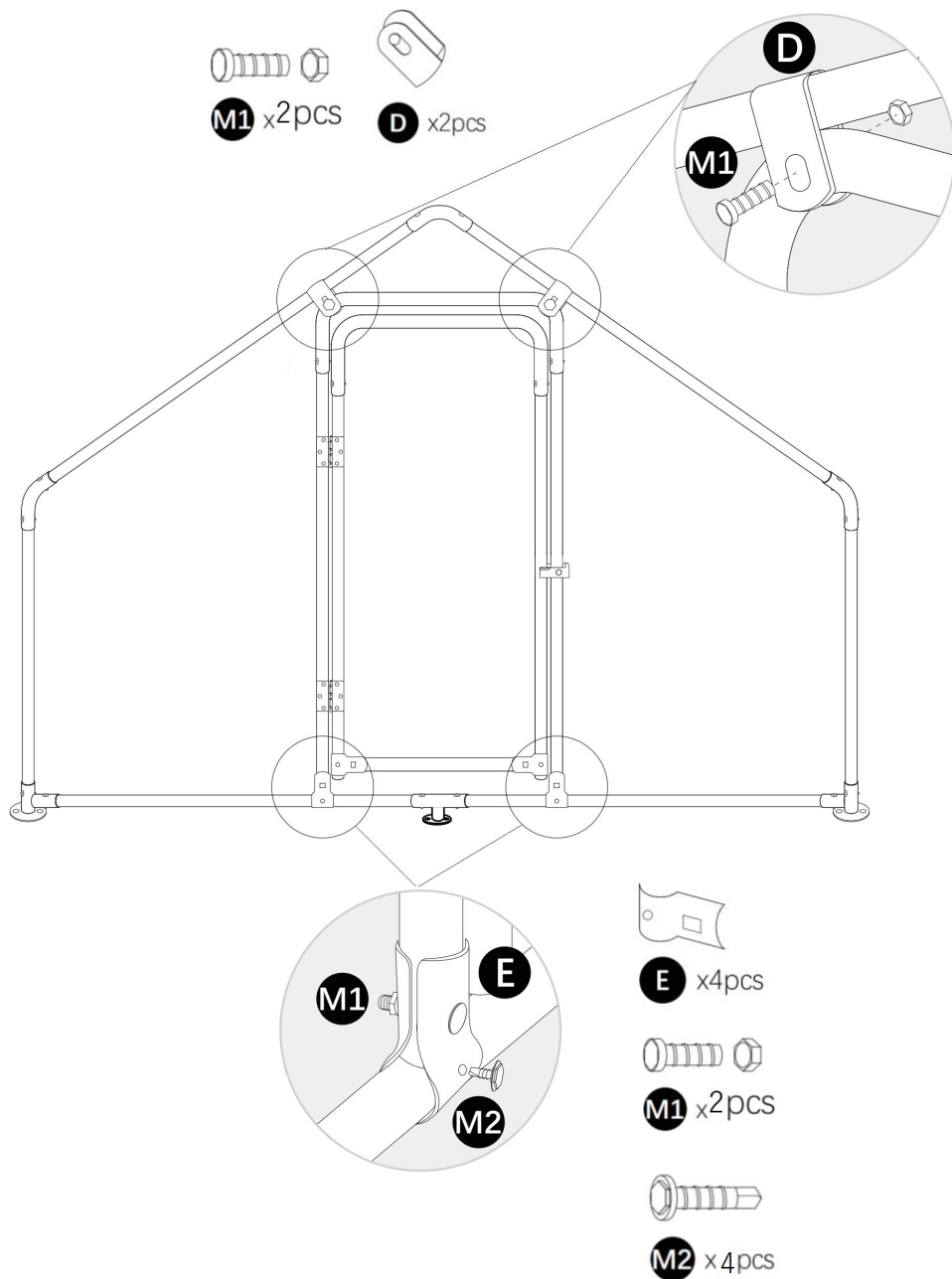


## Step 5: Building the door.

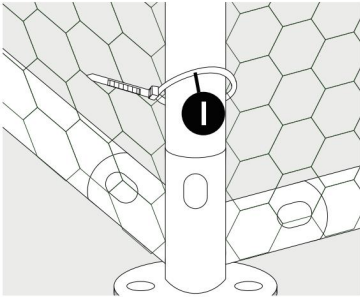
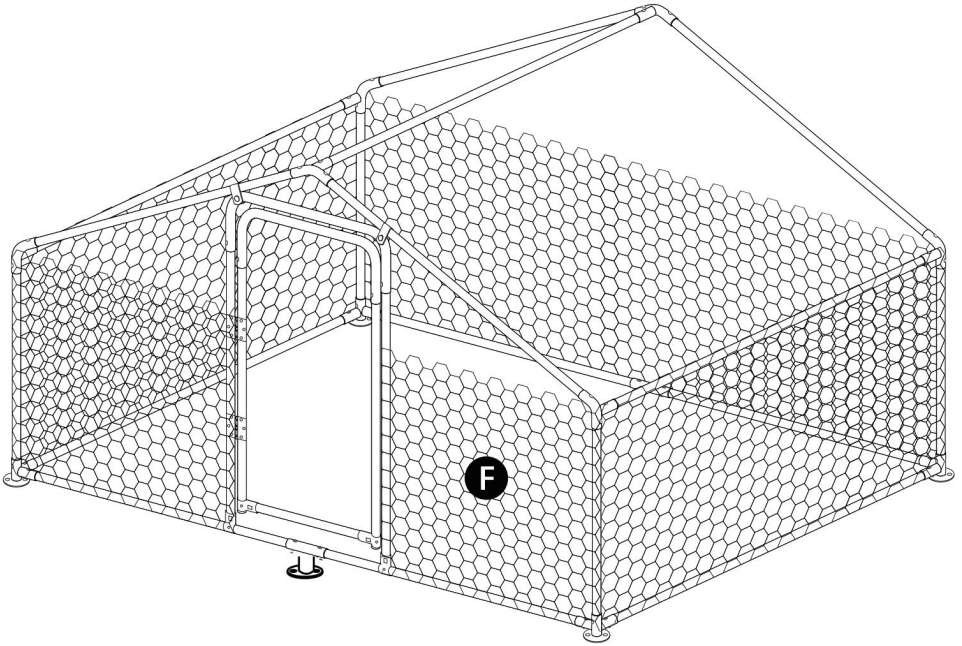




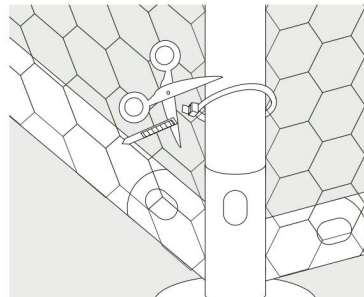
**Step 6:** Contact the door with the frame.



**Step 7:** Tightly seal the frame with steel wire mesh.

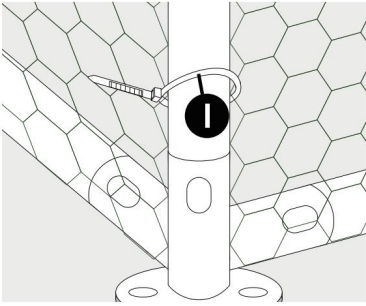
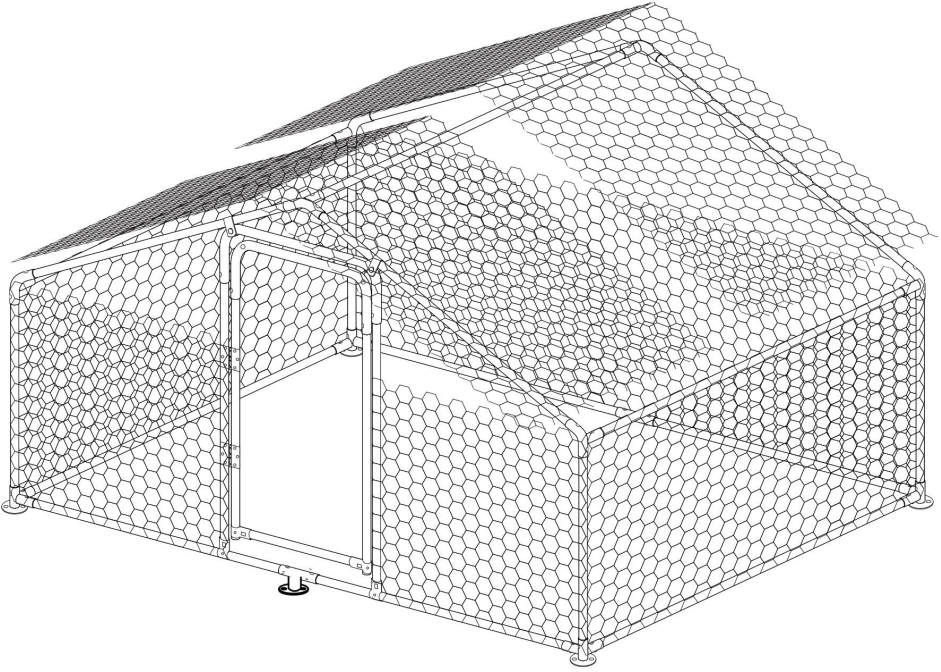


Use cable ties to fix the wire mesh to the iron pipe.

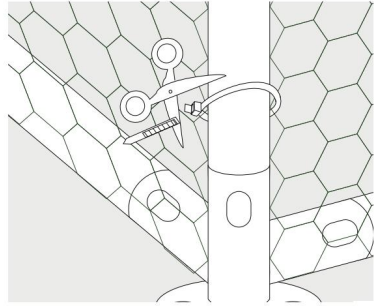


Cut off the excess of the cable tie.

**Step 8:** Tightly seal the roof with steel wire mesh.



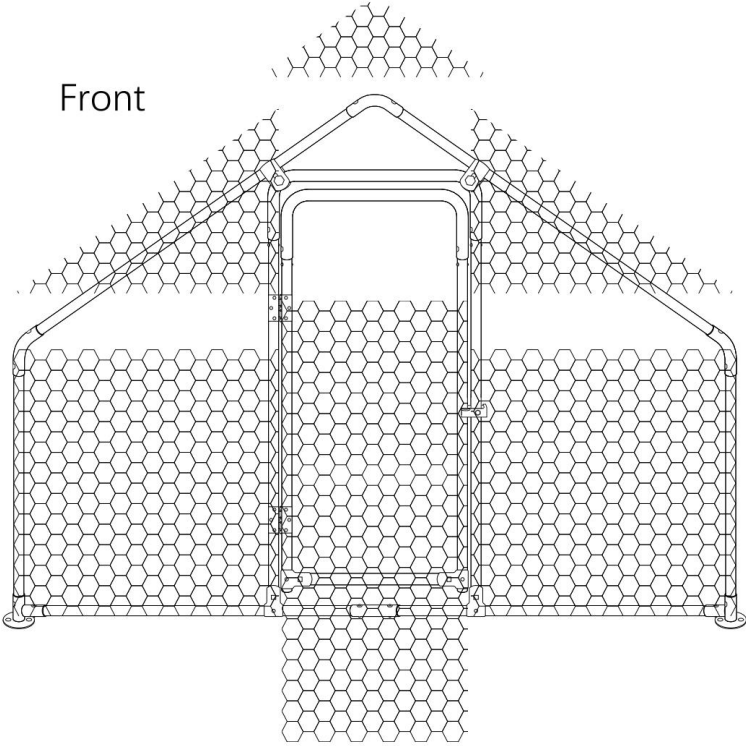
Use cable ties to fix the wire mesh to the iron pipe.



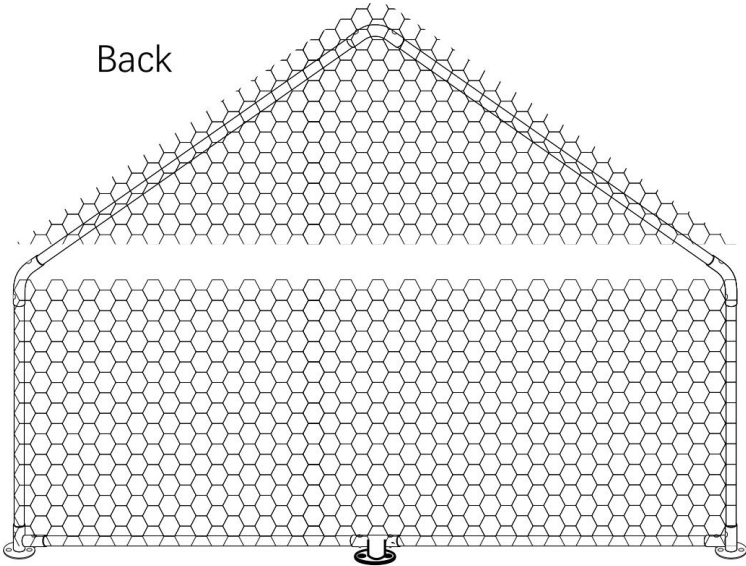
Cut off the excess of the cable tie.

**Step 9**

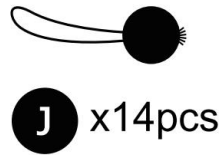
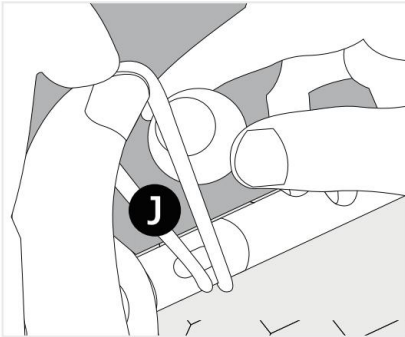
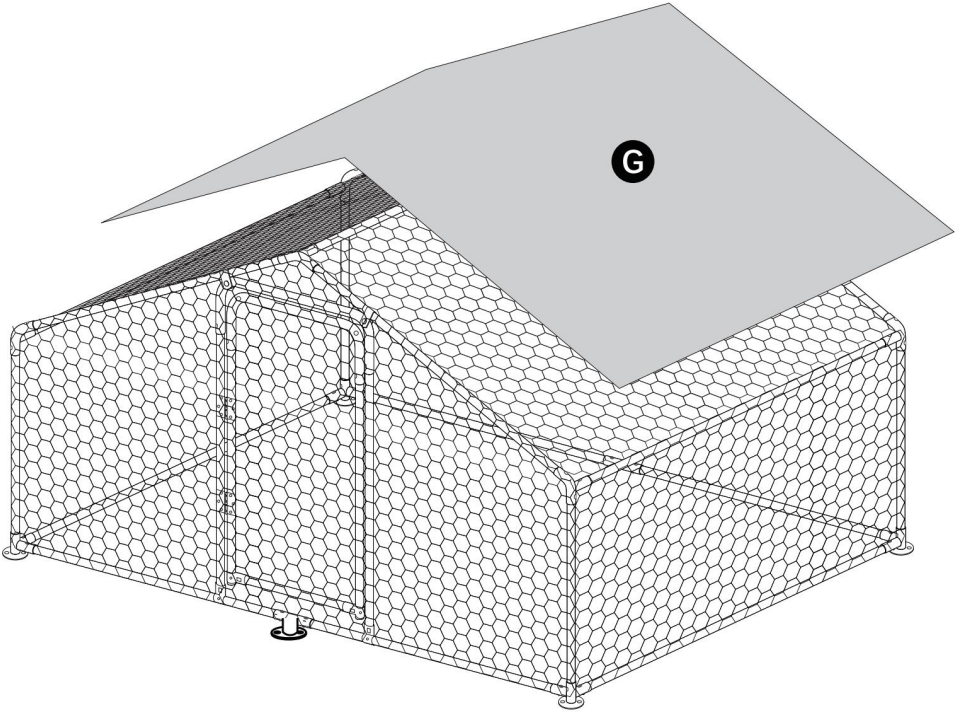
Front



Back

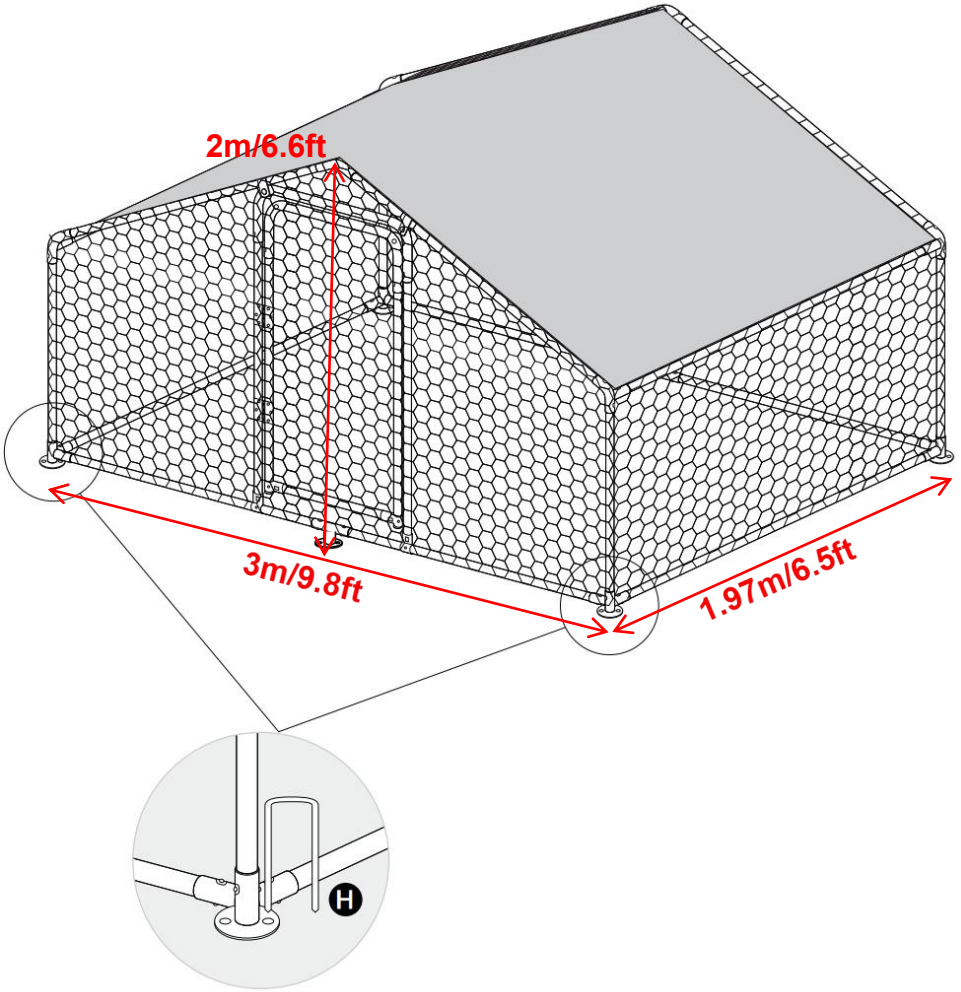


**Step 10:** Install a rainproof cloth.



Use a bungee cord to pass through the hole in the rainproof cloth to secure the rainproof cloth.

**Step 11:**Fixed chicken coop.

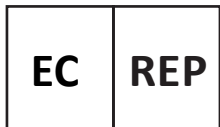


**Manufacturer:**Shanghaimuxinmuyeyouxiangongsi

**Address:** Shuangchenglu 803nong11hao1602A-1609shi, baoshanqu, shanghai 200000 CN.

**Imported to AUS:** SIHAO PTY LTD. 1 ROKEVA STREETEASTWOOD NSW 2122 Australia

**Imported to USA:** Sanven Technology Ltd. Suite 250, 9166 Anaheim Place, Rancho Cucamonga, CA 91730



E-CrossStu GmbH

Mainzer Landstr.69, 60329 Frankfurt am Main.



YH CONSULTING LIMITED.

C/O YH Consulting Limited Office 147, Centurion House,  
London Road, Staines-upon-Thames, Surrey, TW18 4AX

**VEVOR<sup>®</sup>**

**TOUGH TOOLS, HALF PRICE**

**Technical Support and E-Warranty Certificate**

**[www.vevor.com/support](http://www.vevor.com/support)**