

VEVOR[®]

TOUGH TOOLS, HALF PRICE

Technical Support and E-Warranty Certificate
www.vevor.com/support

MANUAL RING EXPANDER

USER MANUAL

We continue to be committed to provide you tools with competitive price. "Save Half", "Half Price" or any other similar expressions used by us only represents an estimate of savings you might benefit from buying certain tools with us compared to the major top brands and does not necessarily mean to cover all categories of tools offered by us. You are kindly reminded to verify carefully when you are placing an order with us if you are actually saving half in comparison with the top major brands.

VEVOR[®]

TOUGH TOOLS, HALF PRICE

MANUAL RING EXPANDER

MODEL: KD-101



(The picture is for reference only, please refer to the actual object)

NEED HELP? CONTACT US!

Have product questions? Need technical support? Please feel free to contact us:

Technical Support and E-Warranty Certificate
www.vevor.com/support

This is the original instruction, please read all manual instructions carefully before operating. VEVOR reserves a clear interpretation of our user manual. The appearance of the product shall be subject to the product you received. Please forgive us that we won't inform you again if there are any technology or software updates on our product.

SAFETY INSTRUCTION AND PRECAUTIONS

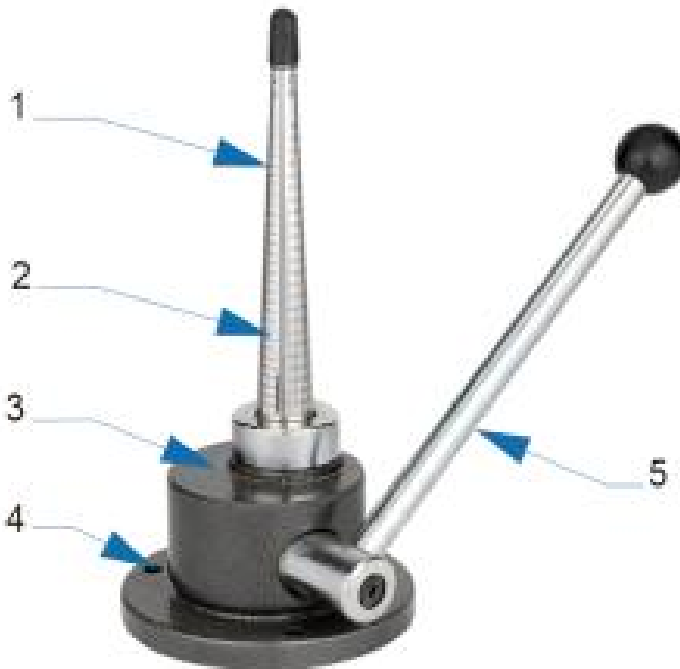


WARNING:

Read this material before using this product. Failure to do so can result in serious injury.

1. This product is not a toy. Do not allow children to play with this item.
2. Use as intended only.
3. Please fasten the machine to the table before use.

NAME OF PARTS



1. blades 2. Expansion bar 3. Base 4. Fixed hole 5. Hand lever

HOLE CLASS



Europe, America, Japan and Hong Kong 4 sizes

OPERATION AS BELOW

1. Operation is simple, pressing the expansion bar to expand.



2. The scale is clear and legible.



3. base is fixed with three holes, and it is convenient to expand the force after fixing the ring.



	Items	Description
1	Name	Manual ring expander
2	Model	KD-101
3	Parameter	Finger hole adjustable range CU: 41-71, US: 1-14, No.: 1-31, HK: 8-32

VEVOR[®]

TOUGH TOOLS, HALF PRICE

Technical Support and E-Warranty Certificate

www.vevor.com/support