

VEVOR[®]

TOUGH TOOLS, HALF PRICE

Technical Support and E-Warranty Certificate www.vevor.com/support

ROOF RAKE

USER MANUAL

We continue to be committed to provide you tools with competitive price.

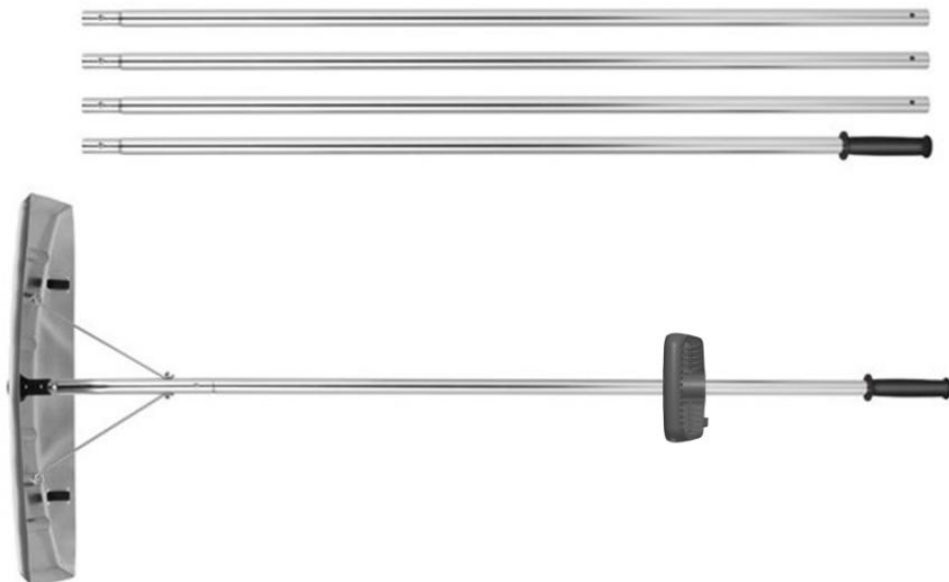
"Save Half", "Half Price" or any other similar expressions used by us only represents an estimate of savings you might benefit from buying certain tools with us compared to the major top brands and does not necessarily mean to cover all categories of tools offered by us. You are kindly reminded to verify carefully when you are placing an order with us if you are actually saving half in comparison with the top major brands.

VEVOR[®]

TOUGH TOOLS, HALF PRICE

ROOF RAKE

MODEL: CY-SF03



NEED HELP? CONTACT US!

Have product questions? Need technical support? Please feel free to contact us:

Technical Support and E-Warranty Certificate www.vevor.com/support

This is the original instruction, please read all manual instructions carefully before operating. VEVOR reserves a clear interpretation of our user manual. The appearance of the product shall be subject to the product you received. Please forgive us that we won't inform you again if there are any technology or software updates on our product.

SAFETY INSTRUCTIONS

WARNING:

Read this material before using this product. Failure to do so can result in serious injury.

Assembly precautions

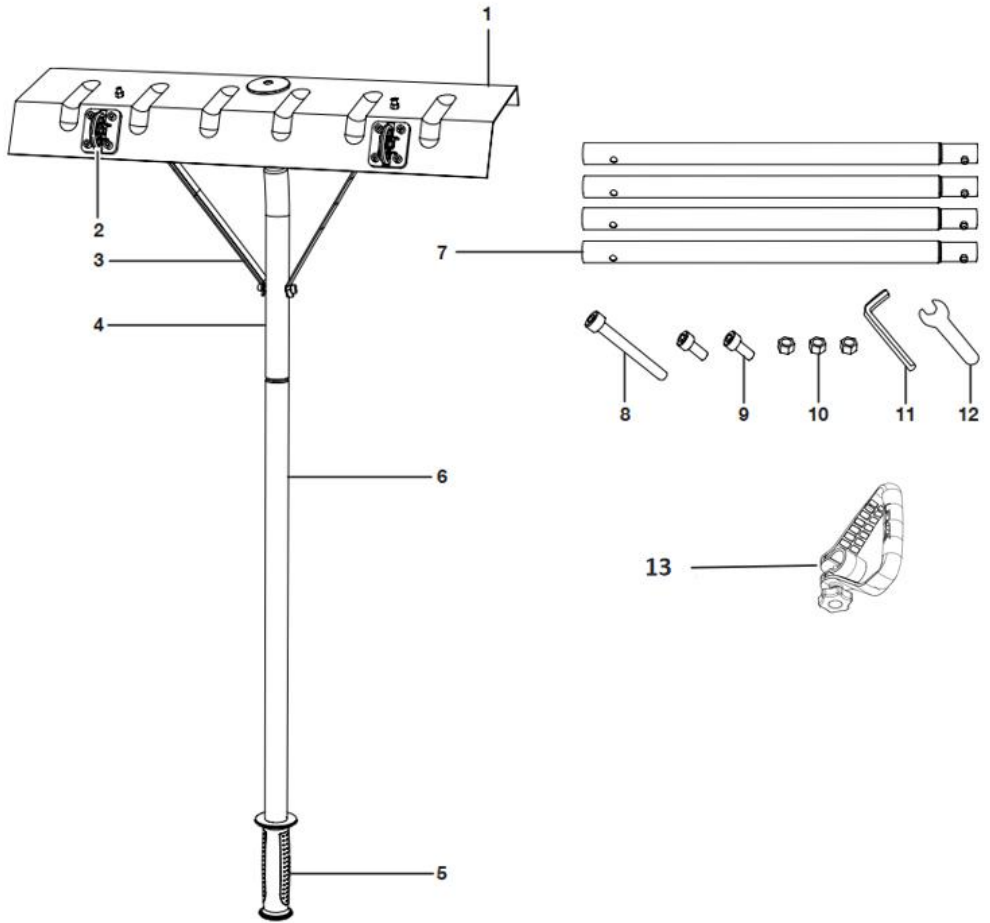
1. Assemble only should be according to these instructions. Improper assembly can result in hazards.
2. Wear ANSI-approved safety goggles and heavy-duty work gloves during assembly.
3. Keep the assembly area clean and well-lit.
4. Keep bystanders out of the area during assembly.
5. Do not assemble when tired or when under the influence of alcohol, drugs or medication.
6. The product capabilities apply to properly and completely assembled products only.
7. Assemble on a flat, level, hard and smooth surface capable of safely supporting the roof rake.
8. For additional information regarding the parts listed in the following pages, please refer to the Assembly Diagram of this manual. Unwrap and separate all parts in a clean work area.

Use precautions

1. DO NOT SIT OR STAND ON THIS ITEM.
2. This product is not a toy. Do not allow children to play with or near this item.
3. Use as intended only.
4. Inspect before every use; do not use if parts are loose or damaged.
5. The shape is for reference only. The actual shape shall prevail.

SAVE THESE INSTRUCTIONS

PARTS LIST



1. Roof rake head
 2. Metal braces (2)
 3. Metal braces (2)
 4. Pole adapter
 13. Ring handle

5. Handle grip
 6. Pole handle
 7. Pole extensions (4)
 8. Long bolt

9. Short bolts (2)
 10. Nuts (3)
 11. Hex wrench
 12. Open wrench

ASSEMBLY STEP

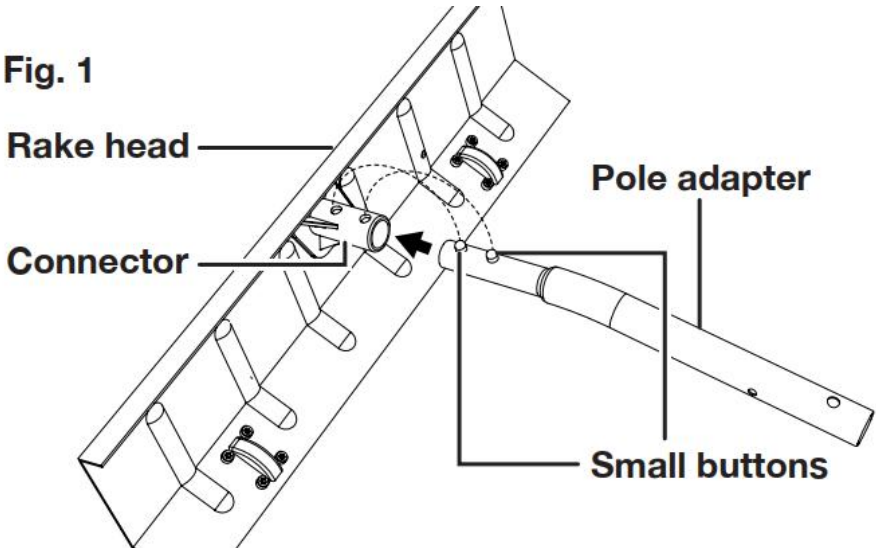
Roof Rake Head Assembly

The assembly of the roof rake head requires hardware (the nut and bolts) included in the pack. Use the equipped open wrench for the nut and the hex wrench for bolts. Make sure to tighten the hardware connections for a secure assembly.

STEP1

Depress the small buttons on the pole adapter and insert the pole adapter into the connector on the back of the roof rake head. Push firmly until the two small buttons pop up in the holes on the connector.

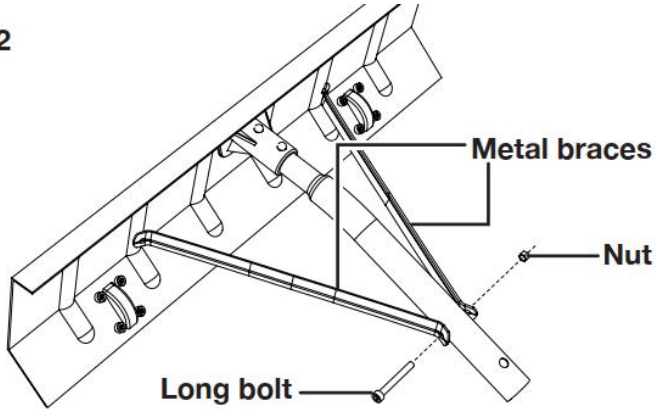
Fig. 1



STEP2

Align the holes of the metal braces with the hole on the end of the pole adapter. Secure them with the long bolt and one nut.

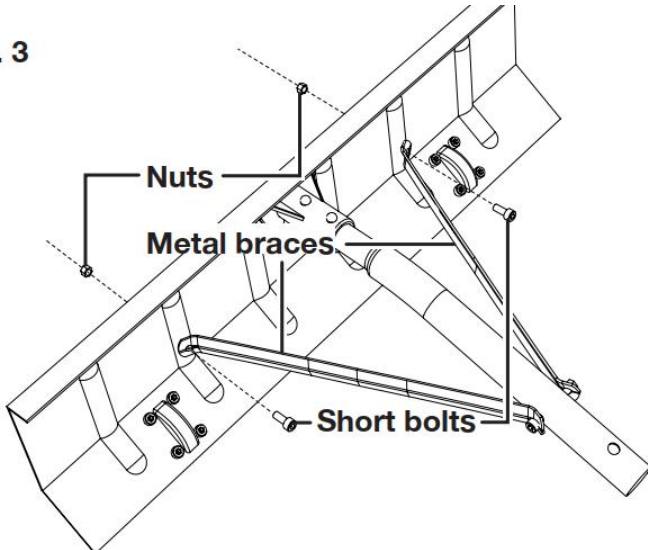
Fig. 2



STEP3

Connect the metal braces to the rake head with 2 small bolts as shown.

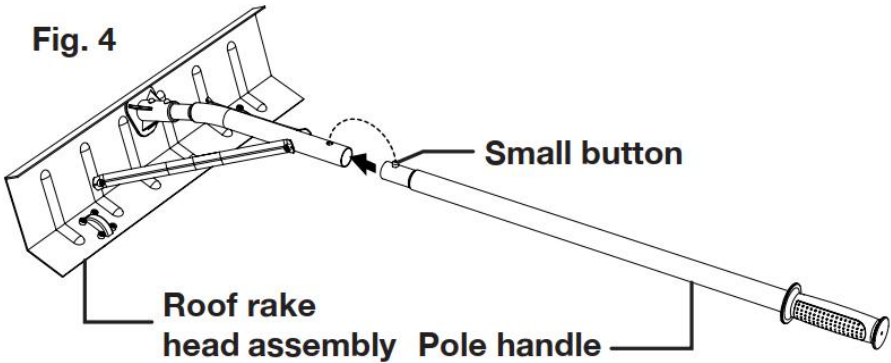
Fig. 3



STEP4

To connect the roof rake head assembly with the pole handle, depress the small button at the end of the pole handle and insert it into the end of the pole adapter. Make sure the small button pops up in the hole on the pole adapter so the assembly is secured.

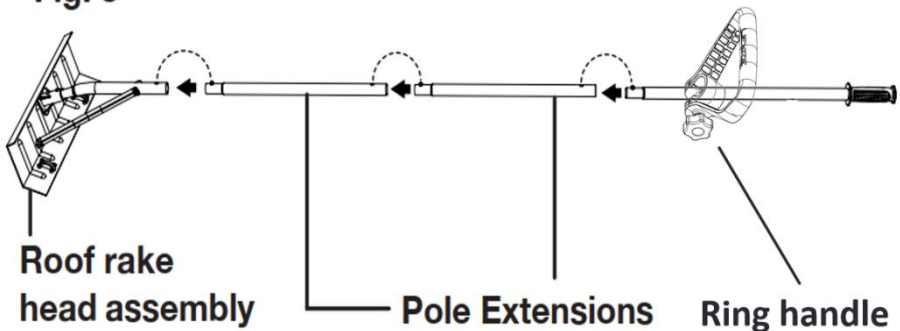
Fig. 4



STEP5

If additional reach is needed, connect the provided pole extensions between the pole handle and the rake head assembly. Make sure the small buttons pop up in the hole on the pole, so the assembly is secured. Finally, assemble the Ring handle to a suitable position.

Fig. 5



NOTE: Make sure the pole handle is the last piece of the assembly.

NOTE: Only connect the minimum number of pole extensions needed to reach the roof. This will minimize the weight of the roof rake and reduce the effort required.

PRODUCT PARAMETER

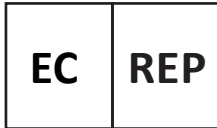
MODEL	CY-SF03
Colour	aluminium
Type	25in aluminum alloy scraper
Scraper material	aluminium alloy
Scraper width	25in
Handle material	TPR

Manufacturer:Shanghaimuxinmuyeyouxiangongsi

Address: Shuangchenglu 803nong11hao1602A-1609shi, baoshanqu, shanghai 200000 CN.

Imported to AUS: SIHAO PTY LTD. 1 ROKEVA STREETEASTWOOD NSW 2122 Australia

Imported to USA: Sanven Technology Ltd. Suite 250, 9166 Anaheim Place, Rancho Cucamonga, CA 91730



E-CrossStu GmbH

Mainzer Landstr.69, 60329 Frankfurt am Main.



YH CONSULTING LIMITED.

C/O YH Consulting Limited Office 147, Centurion House,
London Road, Staines-upon-Thames, Surrey, TW18 4AX

VEVOR[®]

TOUGH TOOLS, HALF PRICE

Technical Support and E-Warranty Certificate

www.vevor.com/support