

VEVOR[®]

TOUGH TOOLS, HALF PRICE

Technical Support and E-Warranty Certificate

www.vevor.com/support

KNOB HANDLESETS

MODEL: 19985-SN / 20185-AC / 20185-10B

We continue to be committed to provide you tools with competitive price.

"Save Half", "Half Price" or any other similar expressions used by us only represents an estimate of savings you might benefit from buying certain tools with us compared to the major top brands and does not necessarily mean to cover all categories of tools offered by us. You are kindly reminded to verify carefully when you are placing an order with us if you are actually saving half in comparison with the top major brands.

VEVOR[®]

TOUGH TOOLS, HALF PRICE

KNOB HANDLESETS

MODEL: 19985-SN / 20185-AC / 20185-10B



NOTE: The shown is for illustration purposes only. Please refer to the color you purchased.

NEED HELP? CONTACT US!

Have product questions? Need technical support? Please feel free to contact us:

Technical Support and E-Warranty Certificate
www.vevor.com/support

This is the original instruction, please read all manual instructions carefully before operating. VEVOR reserves a clear interpretation of our user manual. The appearance of the product shall be subject to the product you received. Please forgive us that we won't inform you again if there are any technology or software updates on our product.

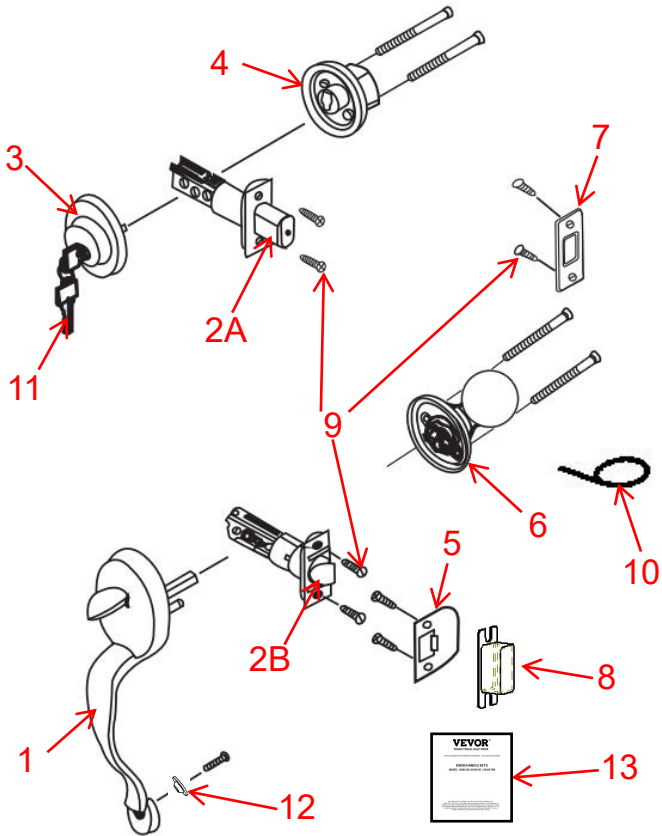
SAFETY INSTRUCTIONS

1. This product contains small parts. If swallowed, it will pose a choking hazard. Keep these small parts away from children !
2. Read, understand and follow your power tool manufacturer's instructions for safety. Always wear safety glasses or eye shields before assembly and commencing power tool operation. Always keep hands, face, hair, loose clothing, and body at a safe distance from spindles and cutting tools. Always keep a firm grip on tool handles when in operation. Always disconnect from the power source before adjusting power tools.

MODEL AND PARAMETERS

Model	19985-SN	20185-AC	20185-10B
Color	Satin Nickel	Antique Copper	Matte Black
Applicable Door Thickness	1-3/8"~1-3/4"		
Latch Length	2-3/8" and 2-3/4"		
Pitch-row(Door Handle)	7-11/16" – 8-13/16"		

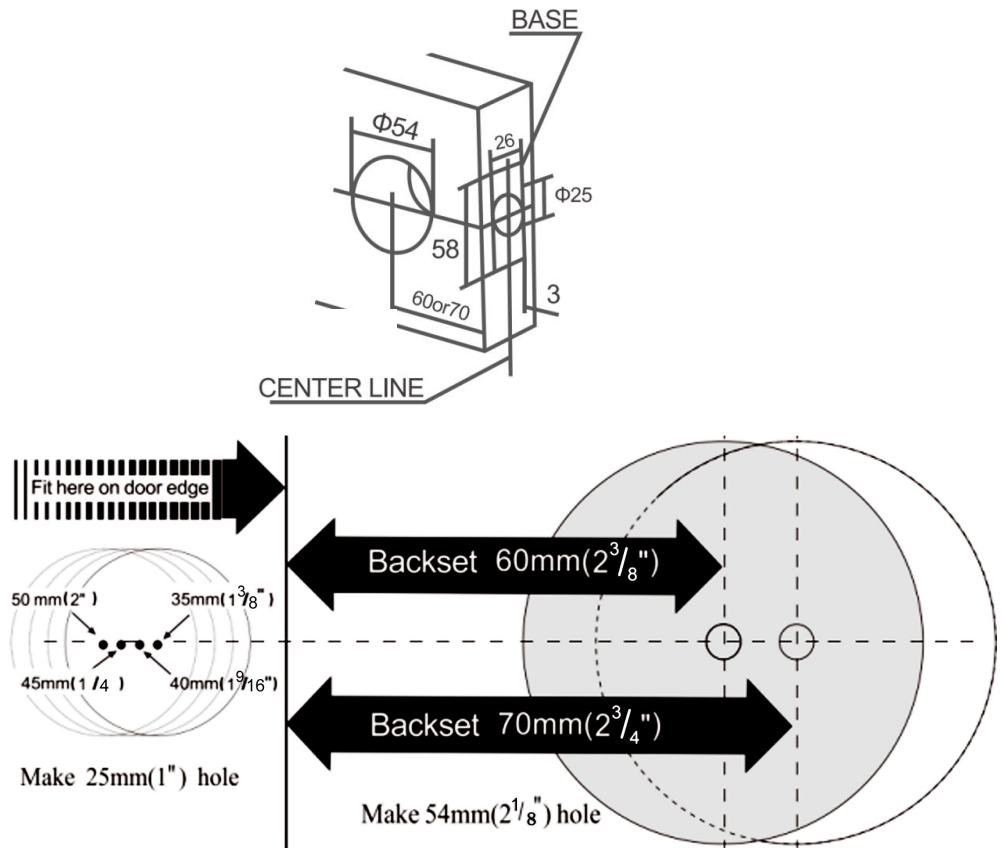
STRUCTURE DIAGRAM AND COMPONENTS



No.	Name and Qty	No.	Name and Qty
1	Front Handle x 1	2A	Latch A x 1
2B	Lower Latch x 1	3	Cylinder x 1
4	Deadbolt Rose x 1	5	Strike Plate x 1
6	Back Knob x 1	7	Strike Plate x 1
8	Strike Box x 1	9	Screws x 8
10	Pin x 1	11	Door Key x 3
12	Washer x 1	13	User Manual x 1

INSTALLATION

1. MARK DOOR & BORE HOLES(Please refer to the attached opening diagram.)



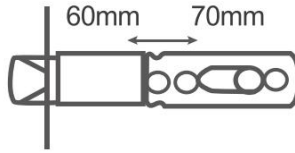
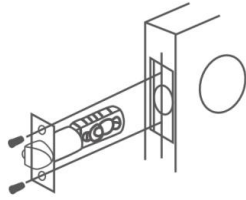
A: Fold the template over the edge of the door and mark the site 60mm or 70 mm of holes.

B: Bore the $\Phi 54\text{mm}$ and $\Phi 25\text{mm}$ holes through the door.

C: Cut out a 58x26x3mm base.

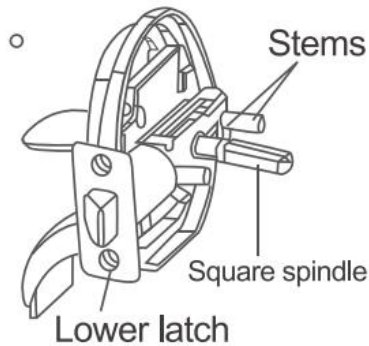
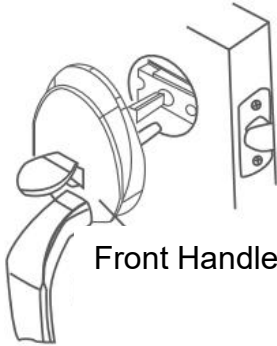
2. INSTALL THE LATCH

According to the site of lock holes, adjust the latch for 60mm or 70mm.



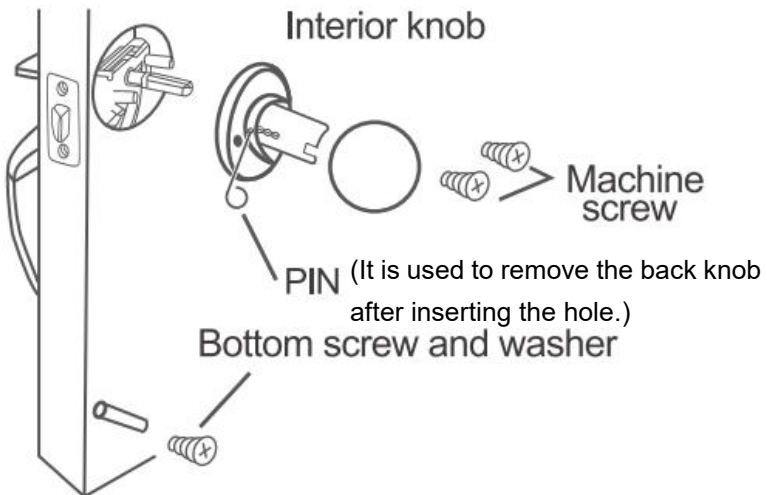
NOTE: The cam is pushed fully to the right for 70mm backset. (During the adjustment, keep two teeth of the cam to forward always.)

3. INSTALL EXTERIOR HANDLE MECHANISM



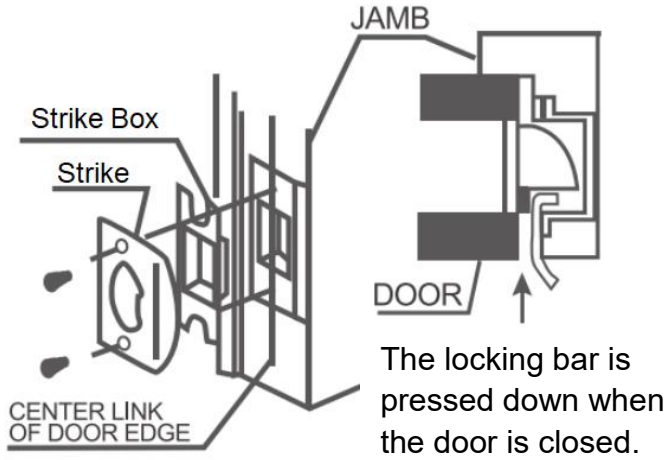
Place the front handle with stems and square spindle into the latch as shown. Press tightly against the door face.

4. INSTALL THE INTERIOR KNOBS



After the front handle is in position, install the interior knob and tighten screws. Insert screw through washer and into bottom hole tighten firmly.

5. INSTALL THE STRIKES



MAINTENANCE

1. Do not strike with force to avoid damage to the latch and door frame.
2. If there is dirt, use a dry cloth to remove, do not scrub with chemicals such as dishwashing liquid. Otherwise, it will destroy the protective film of exposed parts and cause fading.
3. Periodically (half a year or once a year) or when the key is not smoothly inserted and removed, graphite powder (pencil powder) can be added in the keyhole to lubricate.

Manufacturer: Shanghaimuxinmuyeyouxiangongsi

Address: Shuangchenglu 803nong11hao1602A-1609shi, baoshanqu, shanghai 200000 CN.

EC REP: E-CrossStu GmbH

Mainzer Landstr.69, 60329 Frankfurt am Main.

UK REP: YH CONSULTING LIMITED.

C/O YH Consulting Limited Office 147, Centurion House, London Road, Staines-upon-Thames, Surrey, TW18 4AX

Imported to AUS: SIHAO PTY LTD.

1 ROKEVA STREETEASTWOOD NSW 2122 Australia

Imported to USA: Sanven Technology Ltd.

Suite 250, 9166 Anaheim Place, Rancho Cucamonga, CA 91730

VEVOR[®]

TOUGH TOOLS, HALF PRICE

Technical Support and E-Warranty Certificate

www.vevor.com/support