

VEVOR[®]

TOUGH TOOLS, HALF PRICE

Technical Support and E-Warranty Certificate
www.vevor.com/support

ARM JACK

MODEL: HJ-T120

We continue to be committed to provide you tools with competitive price.

"Save Half", "Half Price" or any other similar expressions used by us only represents an estimate of savings you might benefit from buying certain tools with us compared to the major top brands and does not necessarily mean to cover all categories of tools offered by us. You are kindly reminded to verify carefully when you are placing an order with us if you are actually saving half in comparison with the top major brands.

VEVOR[®]

TOUGH TOOLS, HALF PRICE

ARM JACK

MODEL: HJ-T120



NEED HELP? CONTACT US!

Have product questions? Need technical support? Please feel free to contact us:

Technical Support and E-Warranty Certificate
www.vevor.com/support

This is the original instruction, please read all manual instructions carefully before operating. VEVOR reserves a clear interpretation of our user manual. The appearance of the product shall be subject to the product you received. Please forgive us that we won't inform you again if there are any technology or software updates on our product.

SAFETY INSTRUCTIONS

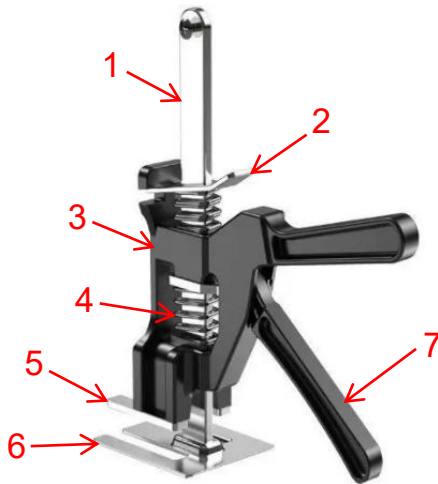
▲WARNING

1. Do not overload.
2. Please be careful not to pinch your hand when lifting.
3. When lifting heavy objects, do not reach into the area below the lifting.
4. Take care to protect the objects you need to lift to prevent damage.

MODEL AND PARAMETERS





Model	HJ-T120
Lifting Height	80mm (Max 120mm)
Lifting Capacity	100kg (Two pieces)

STRUCTURE DIAGRAM



- 1.Support Rod 2.Release Trigger 3.Main Body 4.Return Spring
5.Back-up Block 6.Base 7.Handle

COMPONENTS

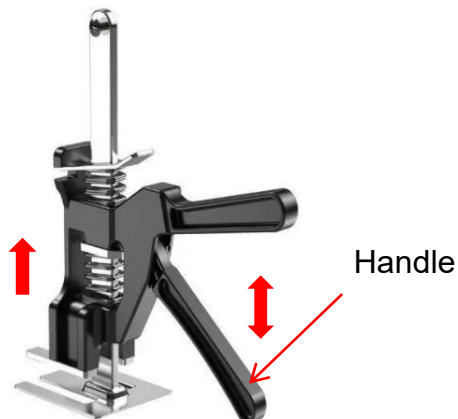
No.	Picture	Name	Qty
1		Arm Jack	2
2		Fixture Block	2
3		Gradienter	1
4		User Manual	1

OPERATION

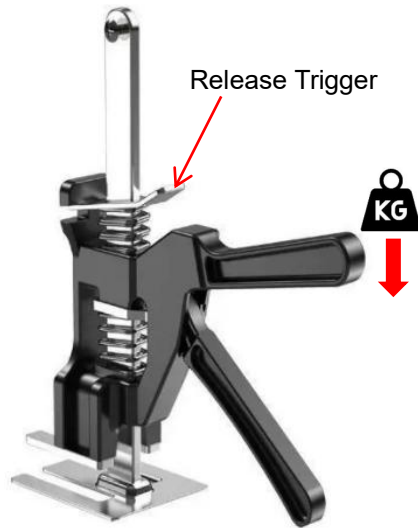
Suggestion: The best way to get acquainted with how the ARM JACK operates is to carry out a few test runs before you actually use it.

NOTE: When the two are used together, it is necessary to pay attention to lifting at the same time, and balance the force on both sides to avoid unilateral overload and tipping.

Lifting: Grasp and release the handle to lift .



Release: Press the "Release Trigger" and press the body down.



APPLICATION SCENARIOS

Architectural Decoration: It can be used to lift boards, doors, furniture, tiles to assist in decoration; Assist in wood processing, nail pulling, board pulling, etc.

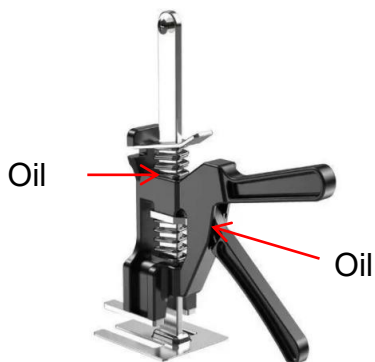


Household cleaning and Maintenance: Lift furniture, refrigerators, washing machines to clean the bottom; Lift furniture, replace carpets, etc.



MAINTENANCE

1. If it is difficult to lift, please add lubricating oil in the position below.



Address: Shuangchenglu 803nong11hao1602A-1609shi, baoshanqu, shanghai 200000 CN.

Imported to AUS: SIHAO PTY LTD, 1 ROKEVA STREETEASTWOOD NSW 2122 Australia

Imported to USA: Sanven Technology Ltd., Suite 250, 9166 Anaheim Place, Rancho Cucamonga, CA 91730

EC	REP
-----------	------------

E-CrossStu GmbH
Mainzer Landstr.69, 60329 Frankfurt am Main.

UK	REP
-----------	------------

YH CONSULTING LIMITED.
C/O YH Consulting Limited Office 147, Centurion House,
London Road, Staines-upon-Thames, Surrey, TW18 4AX

VEVOR[®]

TOUGH TOOLS, HALF PRICE

Technical Support and E-Warranty Certificate

www.vevor.com/support