

VEVOR[®]

TOUGH TOOLS, HALF PRICE

Technical Support and E-Warranty Certificate www.vevor.com/support

SOAP CUTTER

MODEL: KH-Q03

We continue to be committed to provide you tools with competitive price.

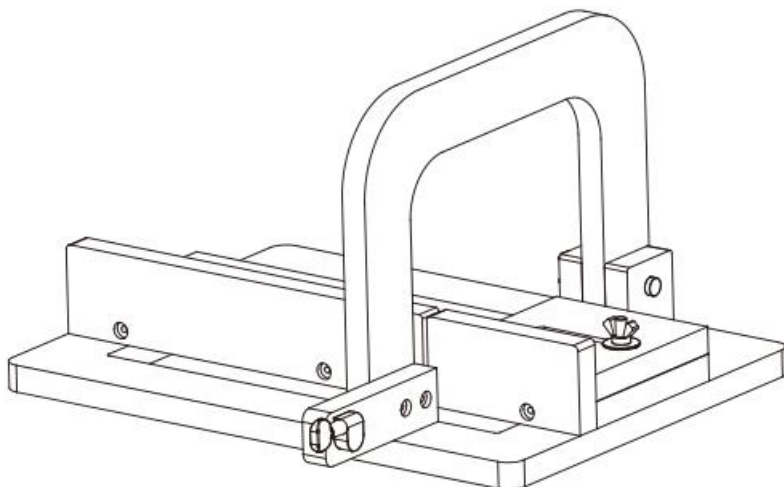
"Save Half", "Half Price" or any other similar expressions used by us only represents an estimate of savings you might benefit from buying certain tools with us compared to the major top brands and does not necessarily mean to cover all categories of tools offered by us. You are kindly reminded to verify carefully when you are placing an order with us if you are actually saving half in comparison with the top major brands.

VEVOR[®]

TOUGH TOOLS, HALF PRICE

SOAP CUTTER

MODEL: KH-Q03



NEED HELP? CONTACT US!

Have product questions? Need technical support? Please feel free to contact us:

Technical Support and E-Warranty Certificate
www.vevor.com/support

This is the original instruction, please read all manual instructions carefully before operating. VEVOR reserves a clear interpretation of our user manual. The appearance of the product shall be subject to the product you received. Please forgive us that we won't inform you again if there are any technology or software updates on our product.

SAFETY INSTRUCTIONS

WARNING: Always follow basic safety precautions when using these devices. These include:

1. The device should not be used with children alone. There are blades or steels wire on the device. Children may encounter injury accidents. Therefore, this product should be placed in a position not touched by children.
2. For optimal operation and service life of the device, please follow the instructions.
3. Always clean this equipment immediately after every use. To maintain the appearance and increase the service life, clean it daily.
4. Care should be taken not to touch the banging blades or steels directly or to operate with gloves during operation.
5. Do not put these devices in a dishwasher or other automatic cleaning device for cleaning.
6. The use of accessories or modifications not provided by the manufacturer may cause hazards.
7. Only use this equipment for cutting soap! This product is not suitable for processing foods.
8. Before using this equipment for the first time, please remove all packaging and fixing materials according to the illustration and use them after installation.
9. To replace blade or steel sets, please ensure that the specification and models of blade plate are consistent.

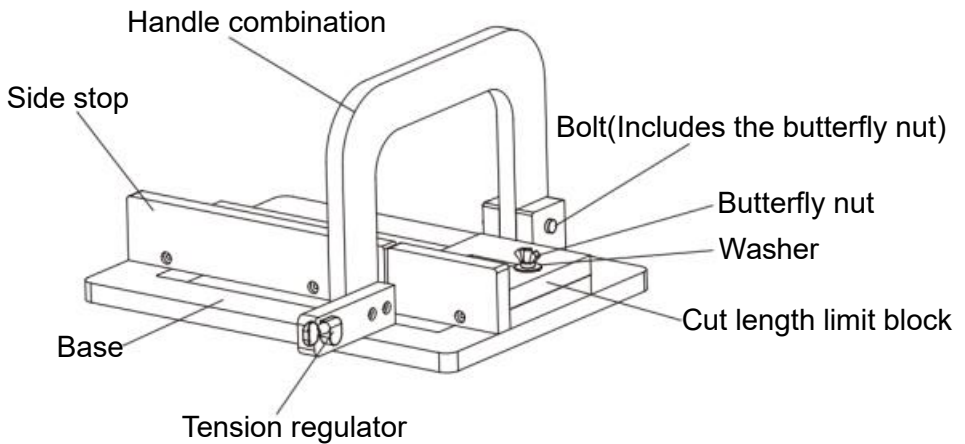
WARNING: Blades or steels can cause cuts. To avoid injury from blades or steels, handle with care and watch your fingers.

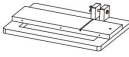
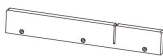



SAVE THESE INSTRUCTIONS








MODEL AND PARAMETERS

Model	KH-Q03
Cutting Mode	Single-wire Cutting
Cutting Spacing	0-2inch(Adjustable)
Material	Bamboo & Stainless Steel

STRUCTURE DIAGRAM AND COMPONENTS

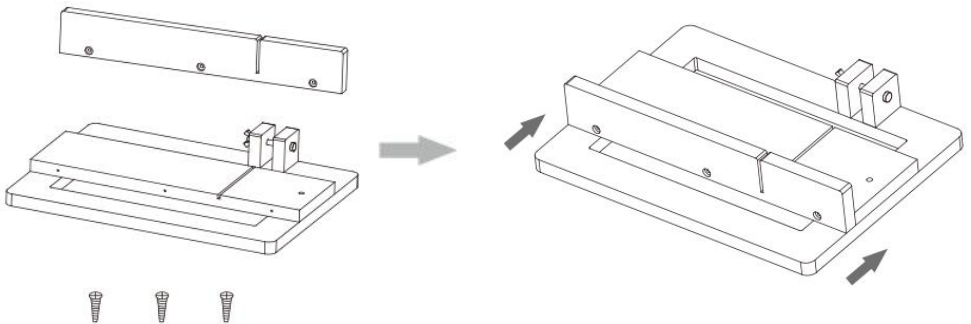


No.	Picture	Name	Qty
1		Base	1
2		Side stop	1
3		Cutting length limit block	1
4		Handle combination	1
5		Screwdriver	1

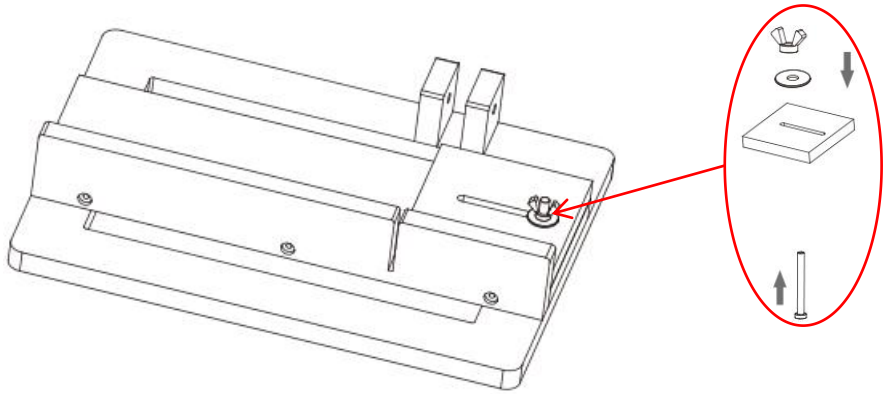
6		Open spanner	1
7		Screws	3
8		Bolts	2
9		Butterfly nuts	2
10		Washer	2
11		Cutting wire	10
12		User Manual	1

INSTALLATION AND OPERATION

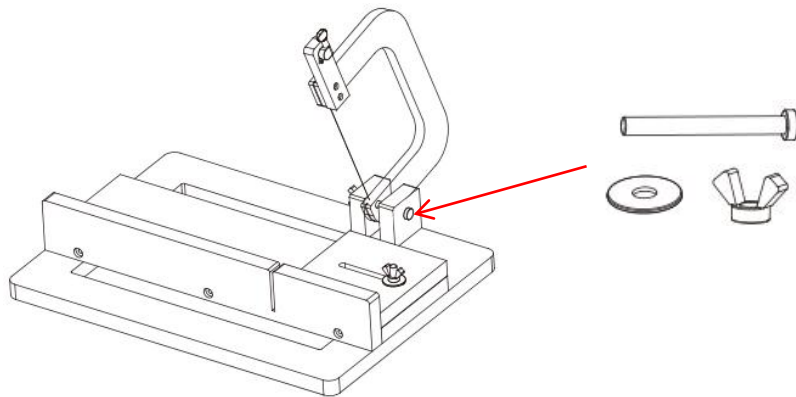
1. Assemble the base and the side stop with 3 screws in the direction indicated by the arrow.



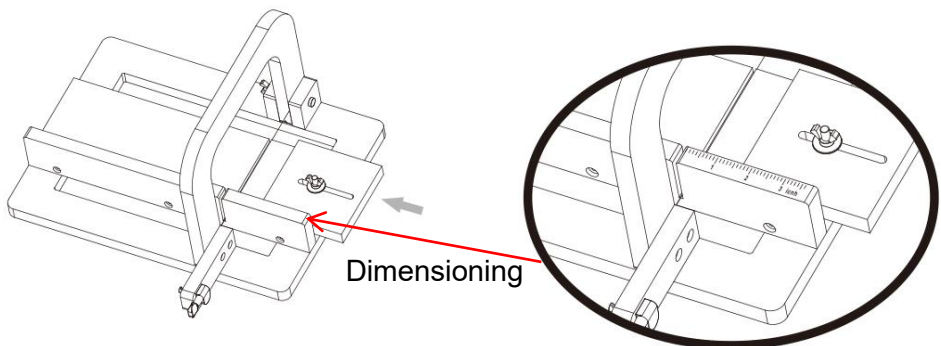
2. The bolt is threaded from the bottom of the base, and then the cut length limit block, gasket and the butterfly nut are put down in turn for assembly.



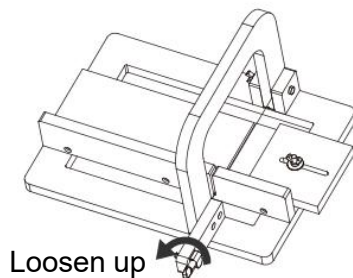
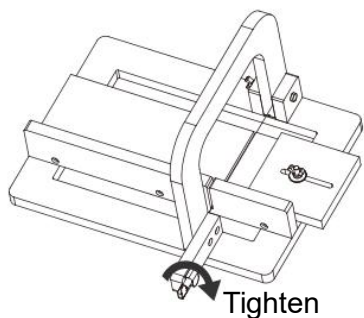
3. Assemble the handle combination.



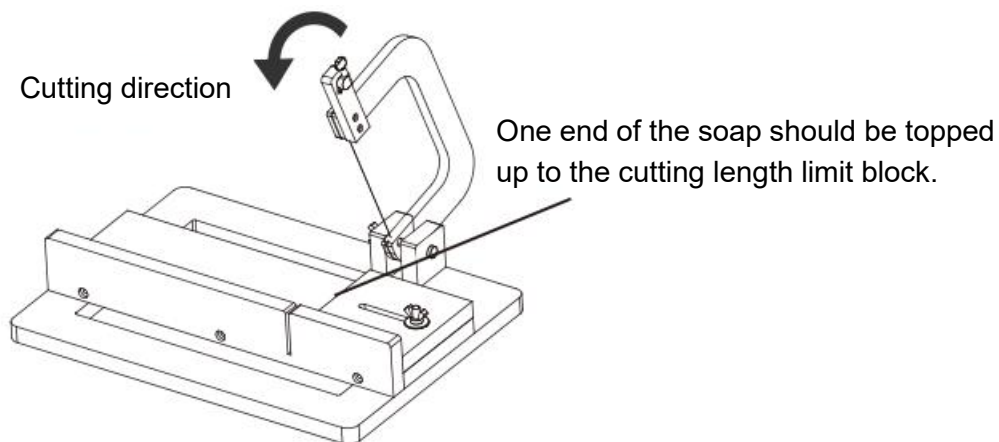
4. After loosening the butterfly nut, the cutting length limit block can be adjusted to select the cutting length you need.



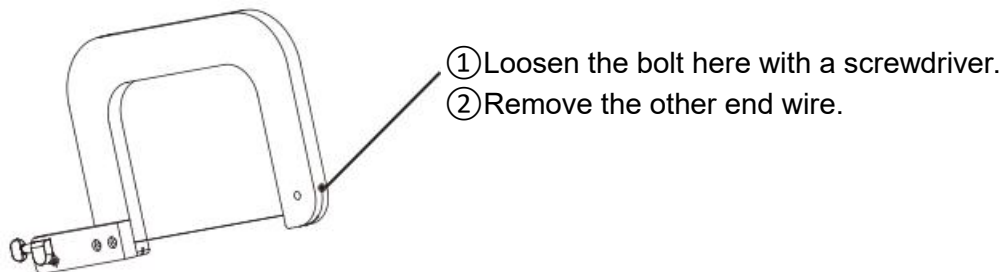
5. Ensure that all components are installed, and then check the tightness of the cutting wire.

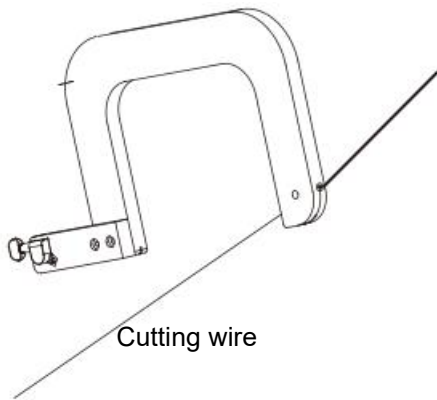


6. Prepare the soap, then press the handle to cut the soap.



7. Replacement of the cutting wire.

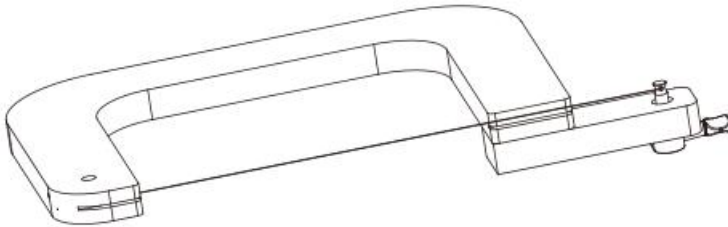




③ Pass the new steel wire through the small round gasket and tighten the bolt here with the screwdriver.

Cutting wire

④ Pass the other end of the wire through the regulator hole, wrap a few more turns to ensure that the pull is not loose, and then manually adjust (Excess length of wire can be cut off).



NOTE: In the case of continuous soap cutting, check whether the wire has been loosened or broken.

MAINTENANCE

1. Keep the machine level, clean the surface of the body in time, and keep dry.
2. Keep out of reach of children.
3. Do not use hard objects to touch the wire, which may damage the wire and affect the service life.

Address: Shuangchenglu 803nong11hao1602A-1609shi, baoshanqu, shanghai 200000 CN.

Imported to AUS: SIHAO PTY LTD, 1 ROKEVA STREETEASTWOOD NSW 2122 Australia

Imported to USA: Sanven Technology Ltd., Suite 250, 9166 Anaheim Place, Rancho Cucamonga, CA 91730

EC	REP
-----------	------------

E-CrossStu GmbH
Mainzer Landstr.69, 60329 Frankfurt am Main.

UK	REP
-----------	------------

YH CONSULTING LIMITED.
C/O YH Consulting Limited Office 147, Centurion House,
London Road, Staines-upon-Thames, Surrey, TW18 4AX

VEVOR[®]

TOUGH TOOLS, HALF PRICE

Technical Support and E-Warranty Certificate

www.vevor.com/support