

VEVOR[®]

TOUGH TOOLS, HALF PRICE

Technical Support and E-Warranty Certificate www.vevor.com/support

FOLDING SOCCER GOAL

MODEL: JH-101

We continue to be committed to provide you tools with competitive price.

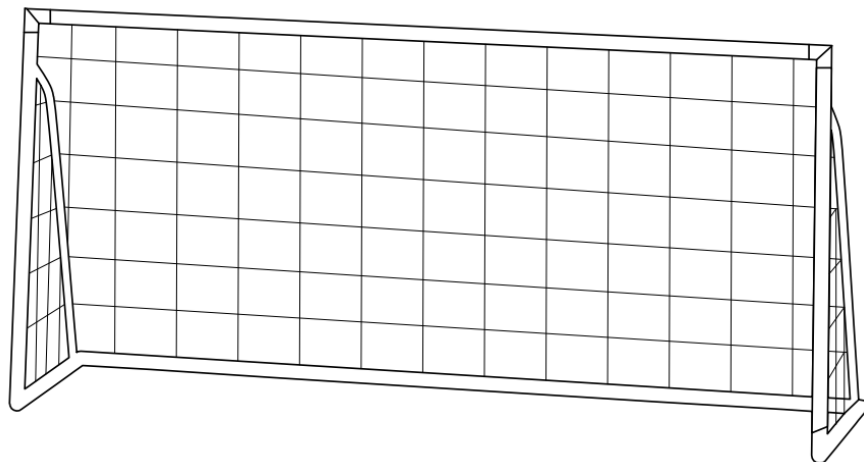
"Save Half", "Half Price" or any other similar expressions used by us only represents an estimate of savings you might benefit from buying certain tools with us compared to the major top brands and does not necessarily mean to cover all categories of tools offered by us. You are kindly reminded to verify carefully when you are placing an order with us if you are actually saving half in comparison with the top major brands.

VEVOR[®]

TOUGH TOOLS, HALF PRICE

FOLDING SOCCER GOAL

MODEL: JH-101



NEED HELP? CONTACT US!

Have product questions? Need technical support? Please feel free to contact us:

Technical Support and E-Warranty Certificate
www.vevor.com/support

This is the original instruction, please read all manual instructions carefully before operating. VEVOR reserves a clear interpretation of our user manual. The appearance of the product shall be subject to the product you received. Please forgive us that we won't inform you again if there are any technology or software updates on our product.

Thank you very much for choosing this Folding Soccer Goal . Please read all of the instructions before using it.The information will help you achieve the best possible results.

SAFETY ADVICE

SAFE WORKING PRACTICE

- ▶ Always inspect the goal post and net for defects before use and replace damaged parts.
- ▶ Do not use the goal with faulty parts.
- ▶ The goal must always be secured to the ground. Weights to be used on hard surfaces,ground anchors on grass.
- ▶ Never climb on the net or the goal frame.The goal must never be used without the net fitted.Please always adhere to the safety instructions.
- ▶ Remove all weights and anchors before moving or disassembling the goal.Do not use the goal in windy weather.
- ▶ Do not use the goal in sub zero temperatures.We advise adult supervision during assembly and use.Do not drop any heavy objects on the tubes.
- ▶ When dismantling the goal ensure that all fittings are packed away, and none are left on the playing surface.



WARNING:

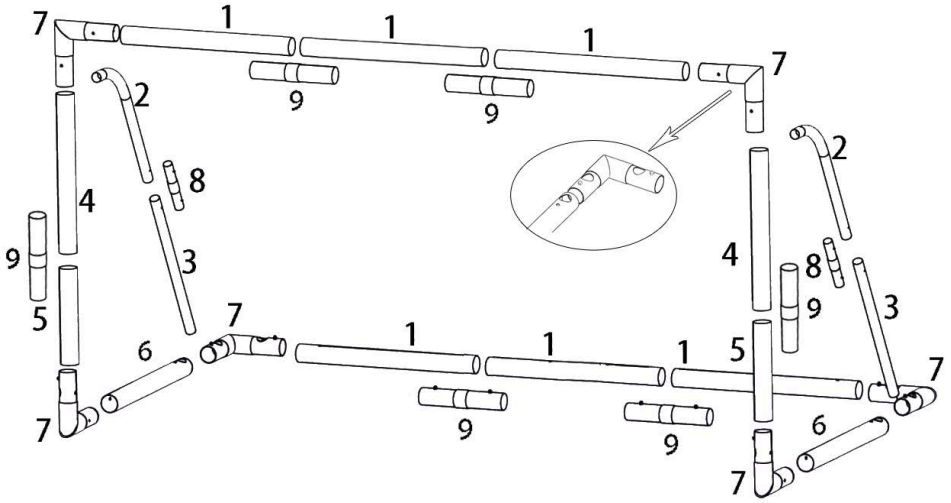
Check regularly that pegs are secure. Loose pegs may cause injury. Care should be taken when using a mallet as misuse may cause injury.



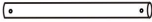






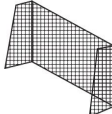


SPECIFICATIONS

Model	JH-101
Product size (mm)	3710 x 1830x 1215 mm
Color	White
Material	PVC + polyester
Main Frame	68mm, 1.8mm PVC Tubing
Netting	2mm, 30ply PE

PART LIST

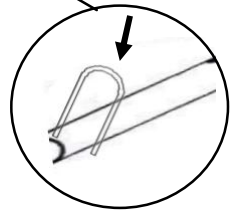
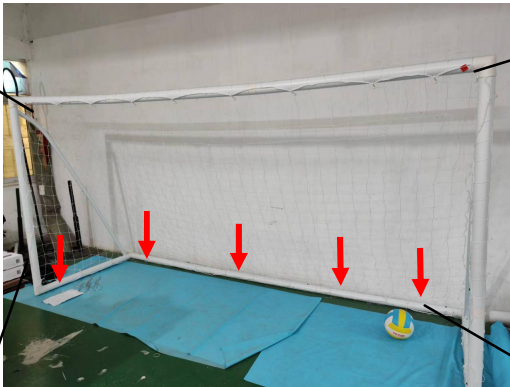
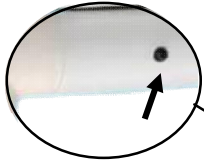
Note: Refer to part numbers and be sure all parts are included.



- | | | | |
|--|--|--|--|
| <p>1 Top Straight Pole x 6</p>  | <p>2 Top Curve Pole x 2</p>  | <p>3 Back Straight Pole x 2</p>  | <p>4 Straight Pole x 2</p>  |
| <p>5 Short Straight Pole x 2</p>  | <p>6 Side Bottom End Pole x 2</p>  | <p>7 Elbow Joint x 6</p>  | <p>8 Back Side Straight Joint x 2</p>  |
| <p>9 Front Frame Straight Joint x 6</p>  | <p>Net x 1</p>  | <p>Plastic Hook x 36</p>  | <p>Ground Pegs x 10</p>  |

STEP 1: Push Button Fitting

STEP 2: Red Tabs



STEP 3: Hook

STEP 4: Pegs

STEPS

1. Open all packaging and organize all poles into several groups. Each part will have a number sticker matching the parts list opposite.
2. Connect the numbered poles together as shown in the diagram. Ensure the push-button on Joint 7 is located and locked into the holes in Poles 1, 4 for a firm fixing (Step 1). Repeat Step 1 on the joint 7 in Poles 1, 4, 5, 6 for a firm fixing. And then place the support Poles 2, 3 into the holes of joint 7.
3. Ensure all straight joint fittings are aligned and locked in position.
4. Ideally, two people should remove the net from the bag, unravel and open fully before fitting. Put the net over the frame with the red tabs (Step 2) in the top left and right-hand corners once assembled.
5. The seam of the net should follow the frame supports. Secure the net to the frame using the plastic hooks ensuring you space them out evenly over the whole frame (Step 3).
6. It is for use on soft ground/grass only once fully assembled. Locate the ground pegs to fix underground for added strength and stability (Step 4).

CLEANING AND MAINTENANCE

► Clean the stand with a wet towel, the Net can be removed for washing and allowed to dry naturally.

Manufacturer: Shanghaimuxinmuyeyouxiangongsi
Address: Shuangchenglu 803nong11hao1602A-1609shi, baoshanqu, shanghai 200000 CN.
Imported to AUS: SIHAO PTY LTD. 1 ROKEVA STREETEASTWOOD NSW 2122 Australia
Imported to USA: Sanven Technology Ltd. Suite 250, 9166 Anaheim Place, Rancho Cucamonga, CA 91730



E-CrossStu GmbH
Mainzer Landstr.69, 60329 Frankfurt am Main.



YH CONSULTING LIMITED.
C/O YH Consulting Limited Office 147, Centurion House,
London Road, Staines-upon-Thames, Surrey, TW18 4AX

VEVOR[®]
TOUGH TOOLS, HALF PRICE

Technical Support and E-Warranty Certificate
www.vevor.com/support