

# **VEVOR<sup>®</sup>**

**TOUGH TOOLS, HALF PRICE**

Technical Support and E-Warranty Certificate [www.vevor.com/support](http://www.vevor.com/support)

## **TRACK HEAD SPOTLIGHTS**

**MODEL: SYS-3 , SYS-6 , SYS-12**

We continue to be committed to provide you tools with competitive price.

"Save Half", "Half Price" or any other similar expressions used by us only represents an estimate of savings you might benefit from buying certain tools with us compared to the major top brands and does not necessarily mean to cover all categories of tools offered by us. You are kindly reminded to verify carefully when you are placing an order with us if you are actually saving half in comparison with the top major brands.

# VEVOR<sup>®</sup>

TOUGH TOOLS, HALF PRICE

TRACK HEAD  
SPOTLIGHTS

MODEL: SYS-3 , SYS-6 , SYS-12



## NEED HELP? CONTACT US!

Have product questions? Need technical support? Please feel free to contact us:

**Technical Support and E-Warranty Certificate**  
[www.vevor.com/support](http://www.vevor.com/support)

This is the original instruction, please read all manual instructions carefully before operating. VEVOR reserves a clear interpretation of our user manual. The appearance of the product shall be subject to the product you received. Please forgive us that we won't inform you again if there are any technology or software updates on our product.

## IMPORTANT SAFEGUARDS

Please read and understand this entire manual before attempting to assemble, operate or install the product.

### WARNING:

- Be careful to open the carton, contact us if there is any damage.
- Non-professional technicians, please do not repair or modify this product without authorization.
- To ensure the lifetime of the product, please do not use it in a place with strong acid mist.
- The luminaire should be positioned so that prolonged staring into the luminaire at a distance closer than 0.5m is not expected

To reduce the risk of fire, electric shock, or injury:

- Turn off the circuit breaker before installing this fixture.
- This product should be installed by someone familiar with the construction and operation of the product and the hazards involved. Safety eyeglasses and gloves are recommended.
- Abide by related regional and local laws or regulations.
- Proper grounding is required to ensure safety.
- This fixture was designed for daisy chains only. Using it for other purposes will void the warranty.
- Check for shipping damage before installing. If the product is damaged, do not use it.
- Keep the fixture away from corrosive substances.
- Suitable for damp locations at temperatures ranging from 4°F to 113°F. Not for use where directly exposed to water.
- Clean the fixture regularly to ensure proper operation. Do not clean with harsh solvents.
- Use safety precautions and abide by regional and local laws or regulations.

**SAVE THESE INSTRUCTIONS**

## FCC INFORMATION

**CAUTION: Changes or modifications not expressly approved by the party responsible for compliance could void the user's authority to operate the equipment!**

This device complies with Part 15 of the FCC Rules. Operation is subject to the following two conditions:

- 1) This product may cause harmful interference.
- 2) This product must accept any interference received, including interference that may cause undesired operation.

**WARNING: Changes or modifications to this product are not expressly approved by the party. Responsible for compliance could void the user's authority to operate the product.**

**Note:** This product has been tested and found to comply with the limits for a Class B digital device pursuant to Part 15 of the FCC Rules. These limits are designed to provide reasonable protection against harmful interference in a residential installation.

This product generates, uses and can radiate radio frequency energy, and if not installed and used in accordance with the instructions, may cause harmful interference to radio communications. However, there is no guarantee that interference will not occur in a particular installation. If this product does cause harmful interference to radio or television reception, which can be determined by turning the product off and on, the user is encouraged to try to correct the interference by one or more of the following measures.

- Reorient or relocate the receiving antenna.
- Increase the distance between the product and receiver.
- Connect the product to an outlet on a circuit different from that to which the receiver is connected.

- Consult the dealer or an experienced radio/TV technician for assistance.

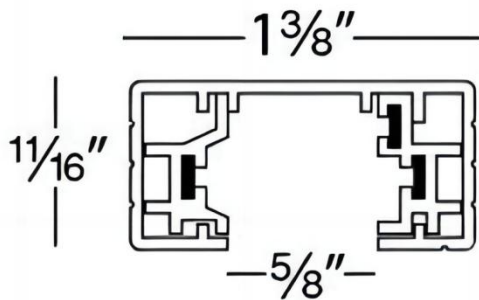
## FEATURES & SPECIFICATIONS CONSTRUCTION

H Track Lighting Head: Compatible with H type tracking ,using a LED Spotlights to shed light in desired areas of any application.

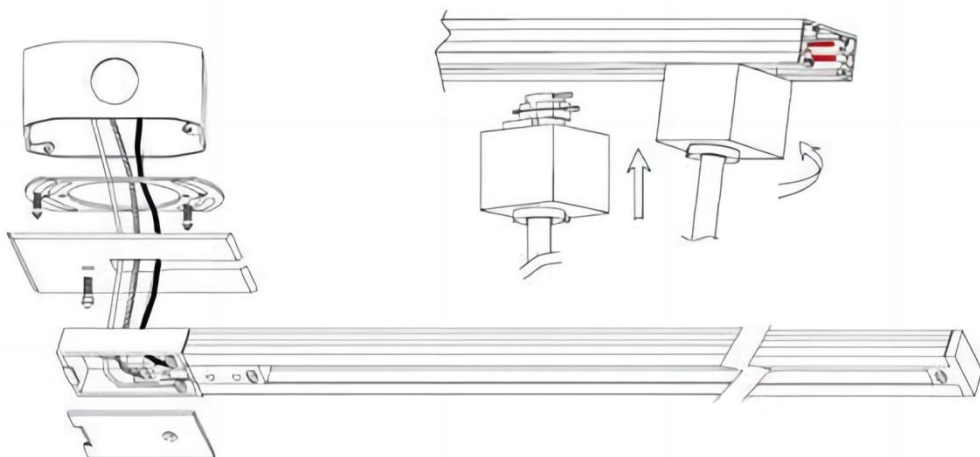
Adaptor: Low-profile injection-molded track mounting adaptor compatible with H Lighting track series HT2,HT4,HT6 L651 Track. This light is compatible with H type 3-wire-1 circuit track system and Flexible track head rotate 330° and 90° tilt to point almost anywhere exactly anywhere needed.

**Note: Decorative Track Lighting components are only compatible with H Track Lighting components. Installation of mixed components will result in risk of shock hazard or fire, damage of fixture, failure to illuminate, and it does not meet UL standards.**




## INSTALLATION INSTRUCTIONS



H Track System  
**HT2, HT4, HT6, HT8-** finishes  
**(BK, WT, BN, DB)**



## SPECIFICATIONS

ASIN			
Series			
Input Voltage	AC 90V-160V	AC 90V-160V	AC 90V-160V
Product Name	track head Spotlights	track head Spotlights	track head Spotlights
Lamp Type	COB	COB	COB
Dimm	Dimmable	Dimmable	Dimmable
Kit includes	3*Black H track heads	6*Black H track heads	12*Black H track heads

**VEVOR<sup>®</sup>**

**TOUGH TOOLS, HALF PRICE**

**Technical Support and E-Warranty Certificate**

**[www.vevor.com/support](http://www.vevor.com/support)**

**Made In China**